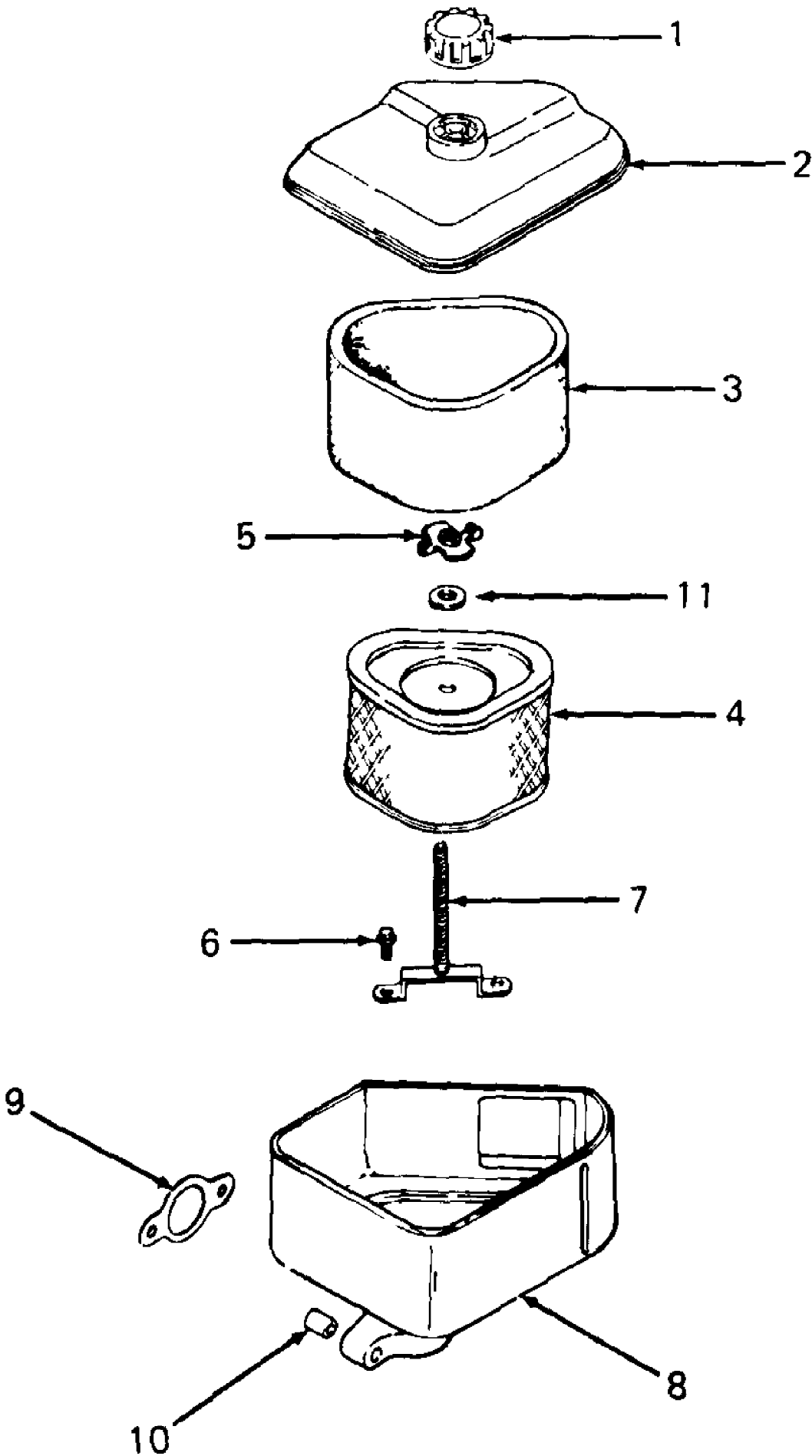


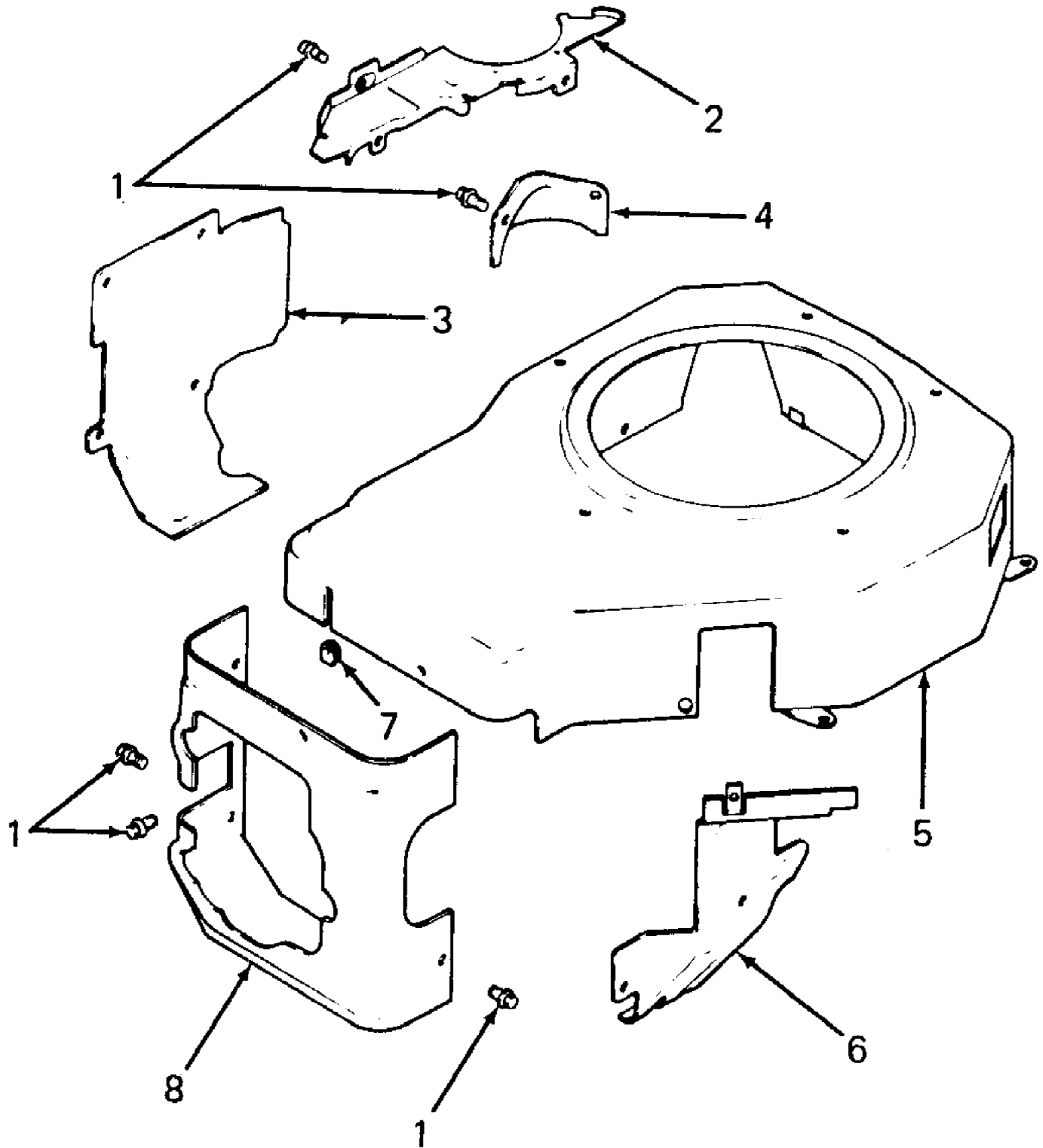
Air Intake



1315 S/N 147,008 - 207,400
Air Intake

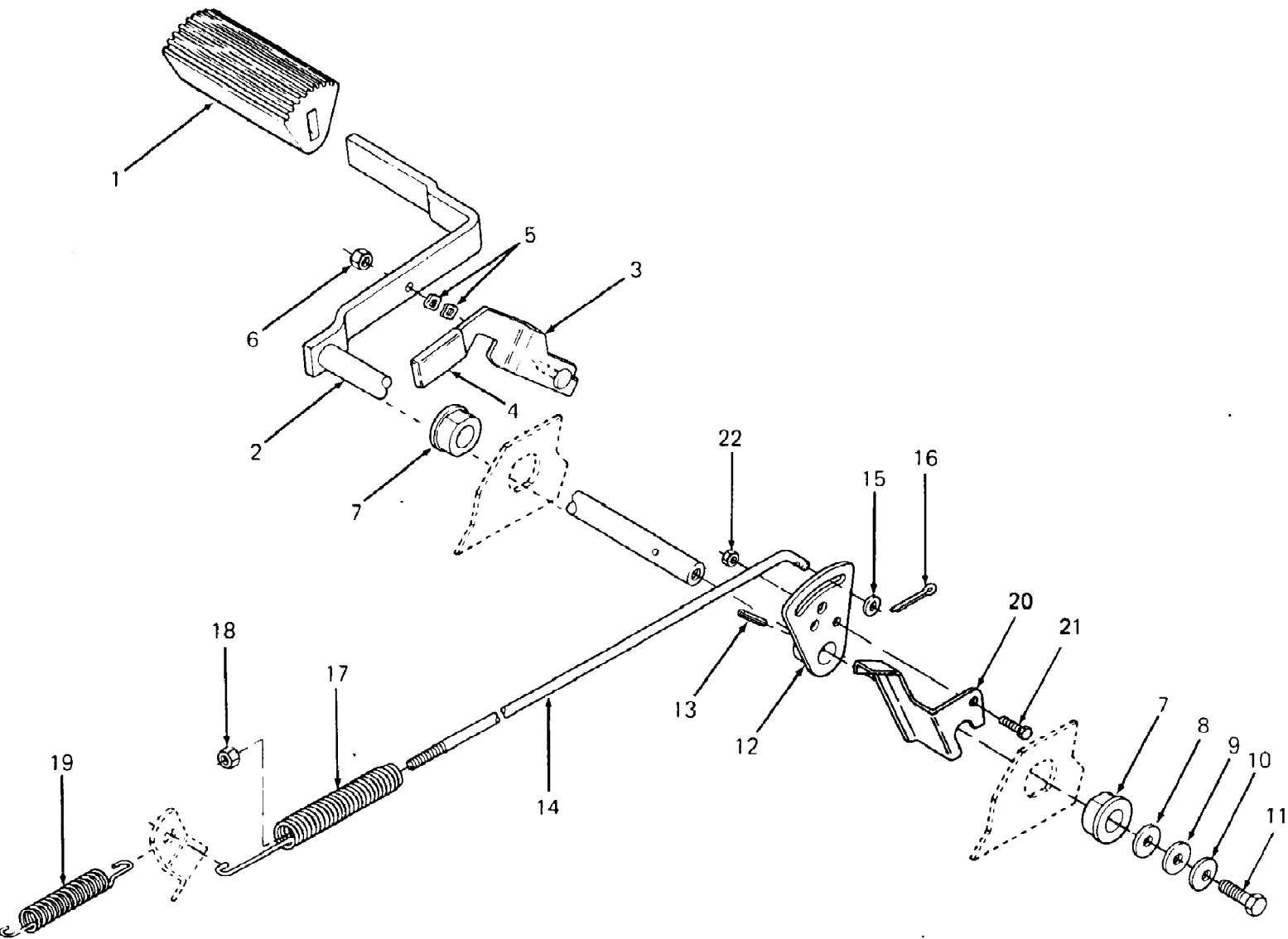
Ref #	Part Number	Qty	S/P/F	Description
1	KH-12-341-01	1		Knob, Air Cleaner Cover
2	KH-12-096-06	1		Cover, Air Cleaner
3	KH-12-083-08	1	S	Precleaner, Element
4	KH-12-083-05	1	S	Element, Air Cleaner
5	KH-12-100-01	1	/P	Wing Nut
6	KH-12-086-01	2		Screw, Mtg Plate Stud
7	KH-12-072-03	1		Stud, Mounting Plate
8	KH-12-094-01	1		Base, Air Cleaner
9	KH-12-041-02	1	/P	Gasket, Air Cleaner
10	KH-12-112-03	1		Spacer
11	KH-X-25-63	1	/P	Washer, Plain, 1/4

1315 S/N 147,008 - 207,400
Blower Housing & Baffles



1315 S/N 147,008 - 207,400
Blower Housing & Baffles

Ref #	Part Number	Qty	S/P/F	Description
1	KH-SM-0545010	14	S	Screw, Mounting, M5 X 0.8 X 10
2	KH-12-146-01	1	S	Plate, Blower Housing
3	KH-12-063-01	1	S	Baffle, Cylinder Barrel
4	KH-12-096-01	1		Cover, Starter
5	KH-12-027-01	1		Housing, Blower
6	KH-12-063-02	1		Baffle, Carburetor
7	KH-12-313-03	1		Grommet, Blower Housing
8	KH-12-063-03	1	S	Baffle, Cylinder Head
	KH-12-113-02	1		Decal, Horsepower



1315 S/N 147,008 - 207,400
Brake Pedal & Connections

Page 6 of 66

Ref #	Part Number	Qty	S/P/F	Description
1	735-0189	1		Pad, Foot
2	703-1532	1		Pedal, Brake
3	703-1393	1		Bracket, Parking Brake
4	720-3019	1	S	Grip, Parking Brake
5	736-3001	2	/P	Washer, Wave
6	712-0324	1	/P	Nut, Hex Insert Lock, 1/4-20
7	748-0209	2	S	Bearing, Flange
8	736-0156	AR	/P	Washer, Flat, .635 X 1.12 X .090 Thk
9	736-0176	1	S	Washer, Flat, .26 X .93 X .120 Thk
10	736-0270	1	/P	Washer, Bell, .265 X .75 X .062 Thk
11	710-3015	1	/P	Screw, Hex Cap, 1/4-20 X .75 Lg GR5
12	703-1558A	1		Cam, Brake
13	715-0134	1	S	Pin, Spiral Spring, 3/16 Dia X 1.5 Lg
14	747-3124	1		Rod, Brake
15	736-0173	1	/P	Washer, Flat, .281 X .73 X .063 Thk
16	714-0507	1	S	Pin, Cotter, 3/32 X .75 Lg
17	732-3043	1		Spring, Ext
18	712-0107	1	S	Nut, Hex Patch, 1/4-20
19	732-3046	1		Spring, Brake Return
20	703-1897	1		Bracket, Switch Actuator
21	710-0289	1	S	Screw, Hex Cap, 1/4-20 X .50 Lg
22	712-0107	1	S	Nut, Hex Patch Lock, 1/4-20