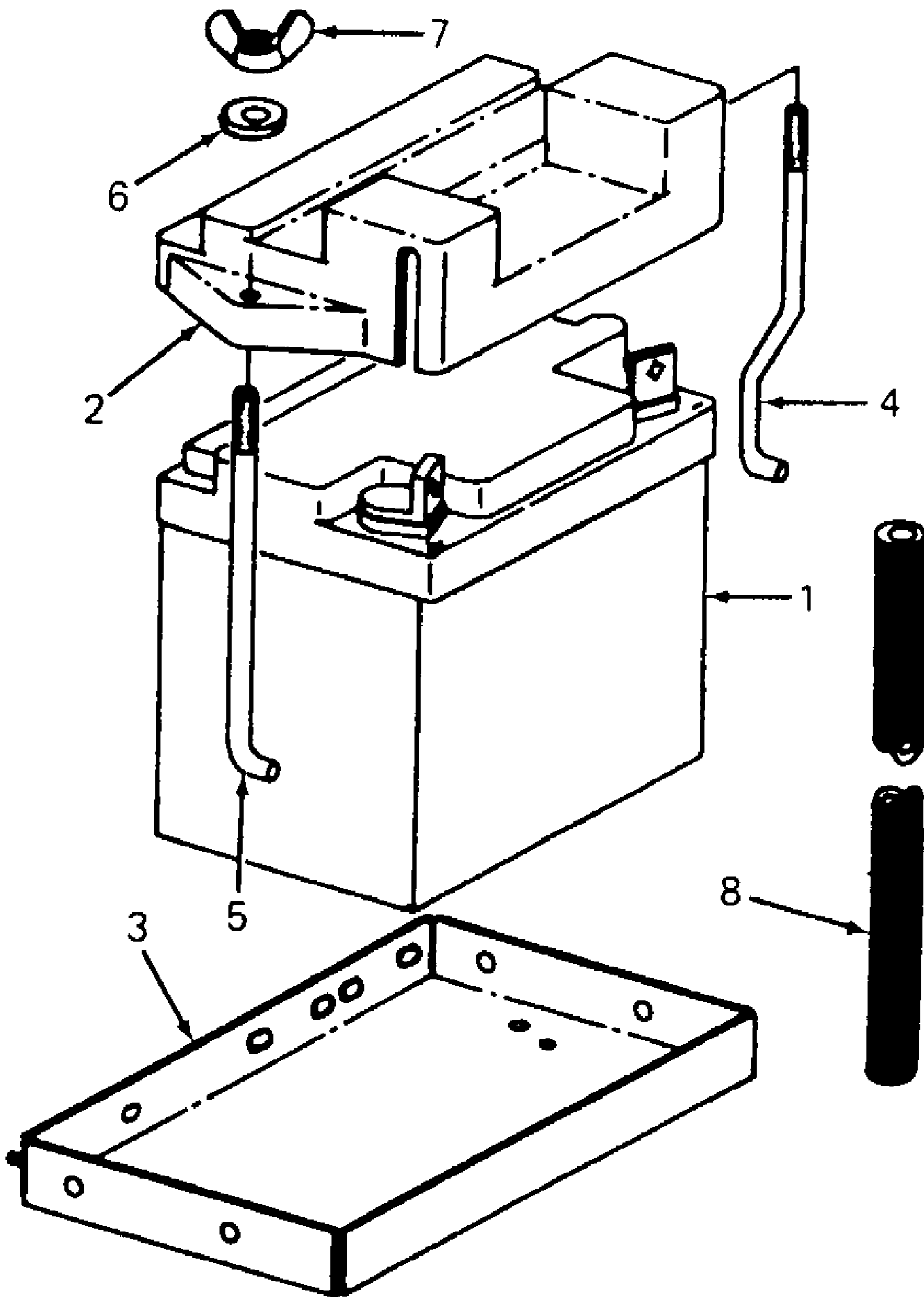


1110
Air Cleaner

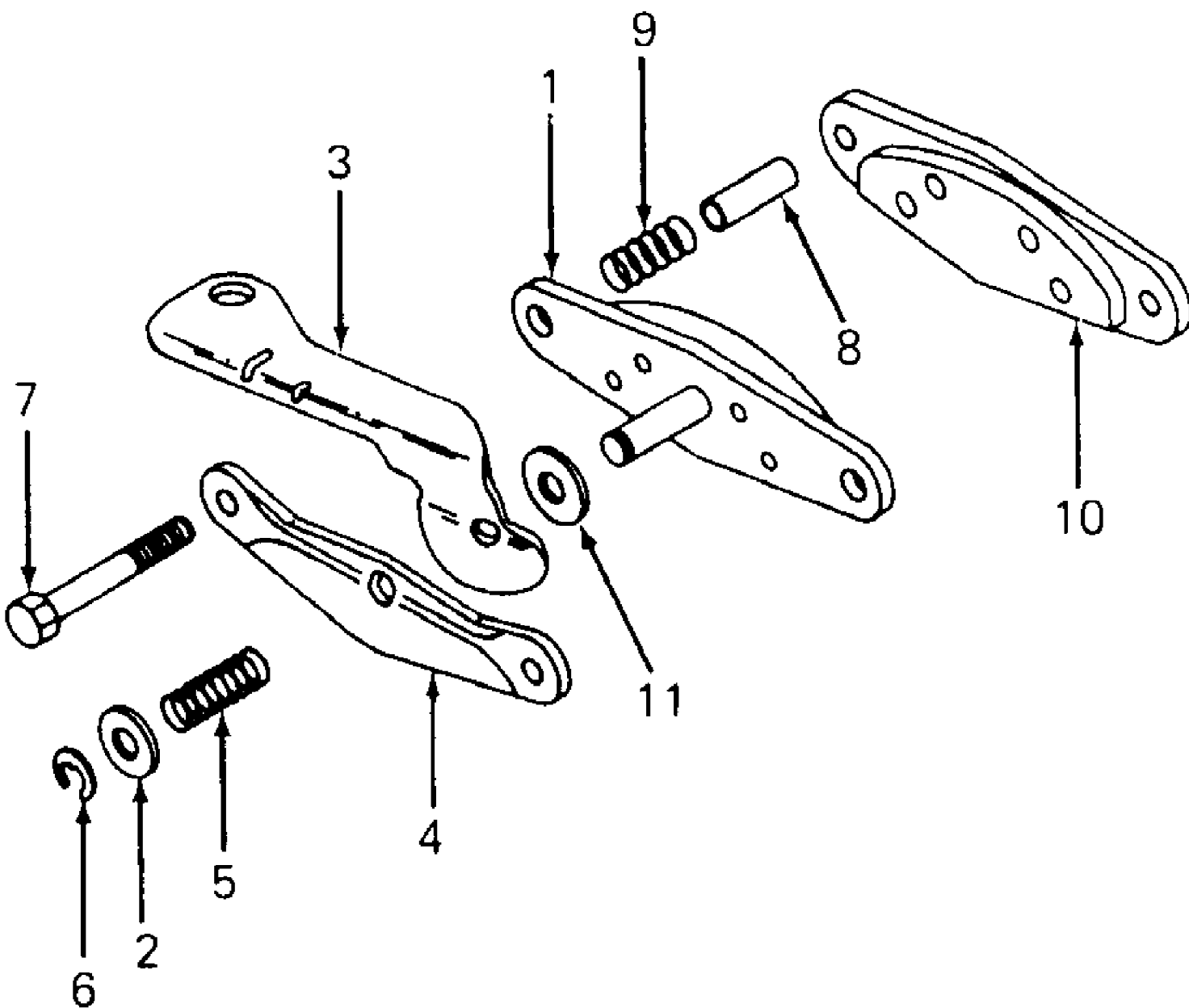
Ref #	Part Number	Qty	S/P/F	Description
1	BS-393749	1		Air Cleaner Assembly
2	BS-93911	1		Screw, Air Cleaner
3	BS-396966	1		Cover, Air Cleaner (Includes Ref No. 5)
4	BS-93913	1		Screw, Air Cleaner
5	BS-397971	1		Gasket, Air Cleaner Cover
6	BS-93910	1		Screw, Air Cleaner
7	BS-270978	1		Washer, Air Cleaner
8	BS-393725	1		Cartridge, Air Cleaner
9	BS-94018	1	S	Screw Sem
10	BS-270853	1	/P	Gasket, Air Cleaner
11	BS-397321	1		Body, Air Cleaner
12	BS-222898	1		Plate, Air Cleaner Cartridge



1110
Battery & Mounting

Page 4 of 71

Ref #	Part Number	Qty	S/P/F	Description
1	725-3061	1	S	Battery, 12 Volt
	710-0451	2	/P	Bolt, Carr. 5/16-18 X .75 Long
	712-3010	2	S	Nut, 5/16-18
2	759-3193	1		Cover W/Graphic, Battery
	777-4491	1		Graphic
3	703-1144	1		Tray, Battery
	710-3008	4	/P	Bolt, 5/16 X 3/4 GR 5
	736-0119	4	S	Washer, 5/16 Lock
	736-3007	4		Washer, 5/16 Ext-Int Tooth Lock
	712-3010	4	S	Nut, 5/16 GR 5
4	711-3142	1		Rod, Battery Cover LH
5	711-0222	1	S	Rod, Battery Cover RH
6	736-0142	2	S	Washer, .281 X .500 X .056
7	712-3044	2		Nut, 1/4 Wing
8	735-3027	1		Hose, Battery Drain 48 in. Long



1110
Brake Assembly

Page 6 of 71

Ref #	Part Number	Qty	S/P/F	Description
	761-3000	1		Brake Assy, Caliper
1	HH-9908225	1	S	Plate Assy, Stud
2	HH-0303017	1		Washer, Thrust
3	HH-1802434	1		Cam
4	HH-1403286	1		Plate, Actuator
5	HH-0603031	1		Spring, Compression
6	HH-0703275	1	S	Ring, Retaining
7	HH-0103443	2	S	Screw, 1/4-20 X 2 Phc Hex-Hd Cap
	712-0107	2	S	Nut, 1/4-20 Hex Patch Lock
8	HH-1108979	2		Bushing
9	HH-0603314B	2		Spring, Return
10	HH-9908229	1	S	Side Assy, Carrier
11	HH-0307700	1		Washer

Brake Pedal & Connections

