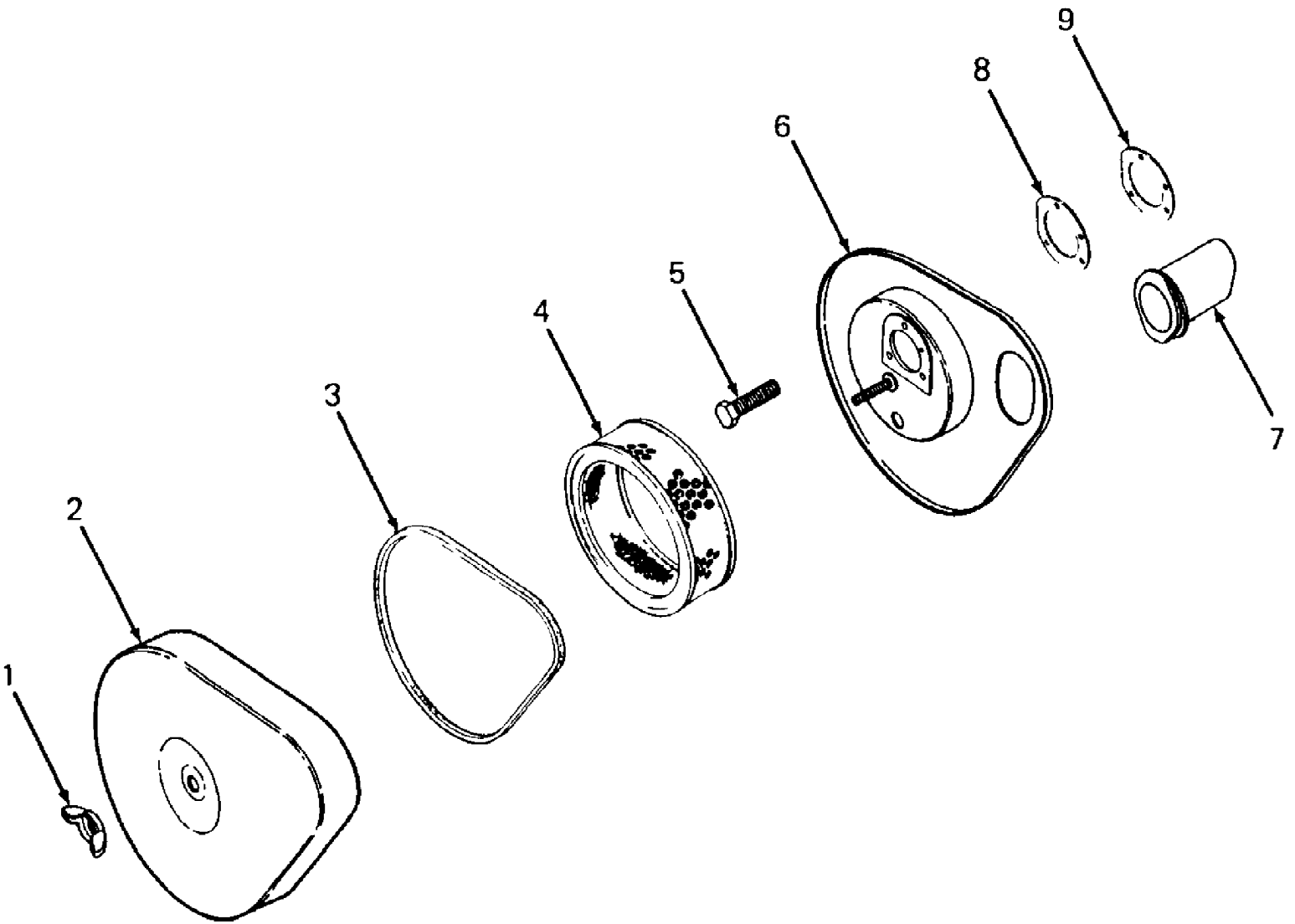


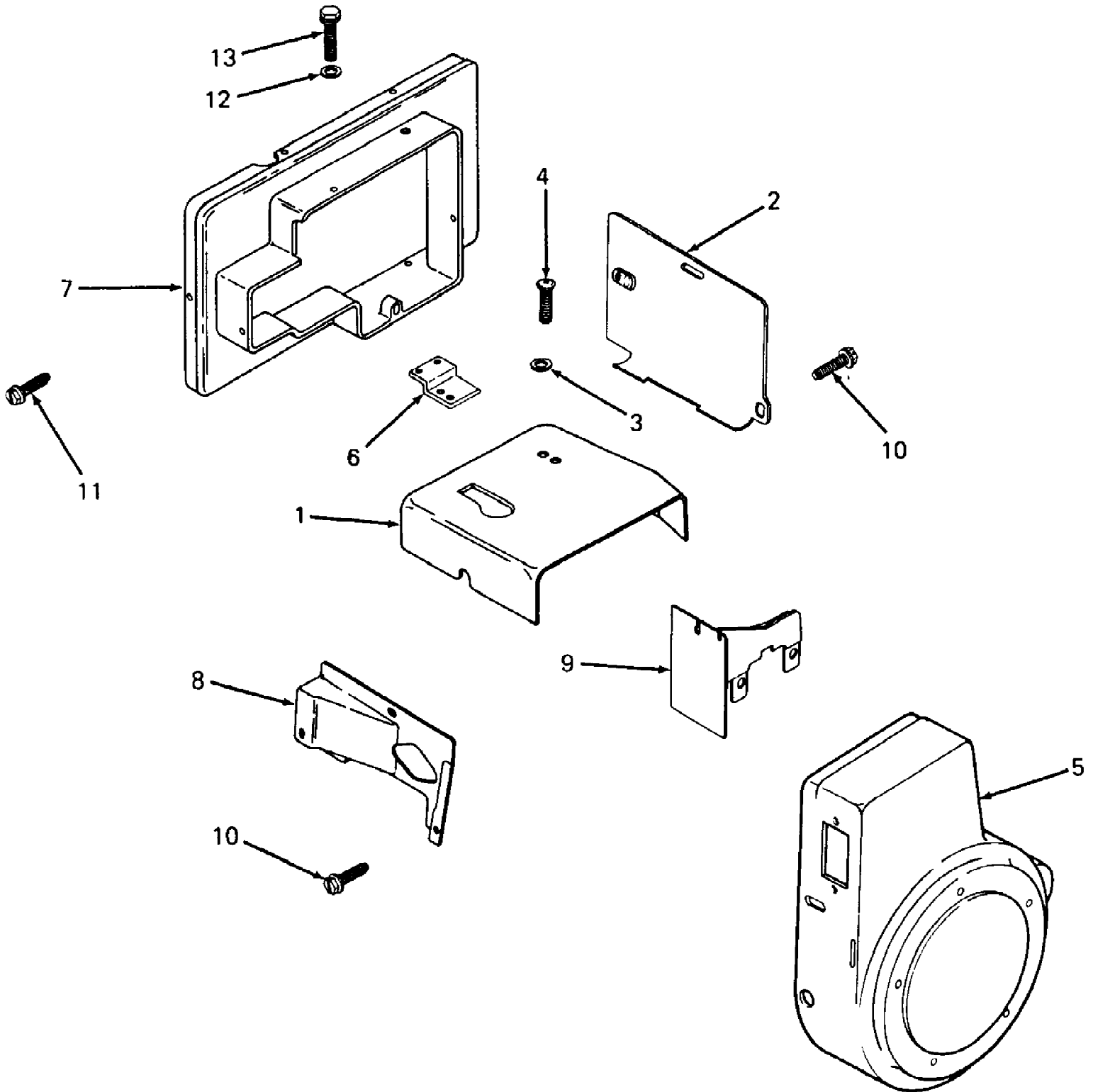
Air Intake



1050 S/N 756,300 - 799,999
Air Intake

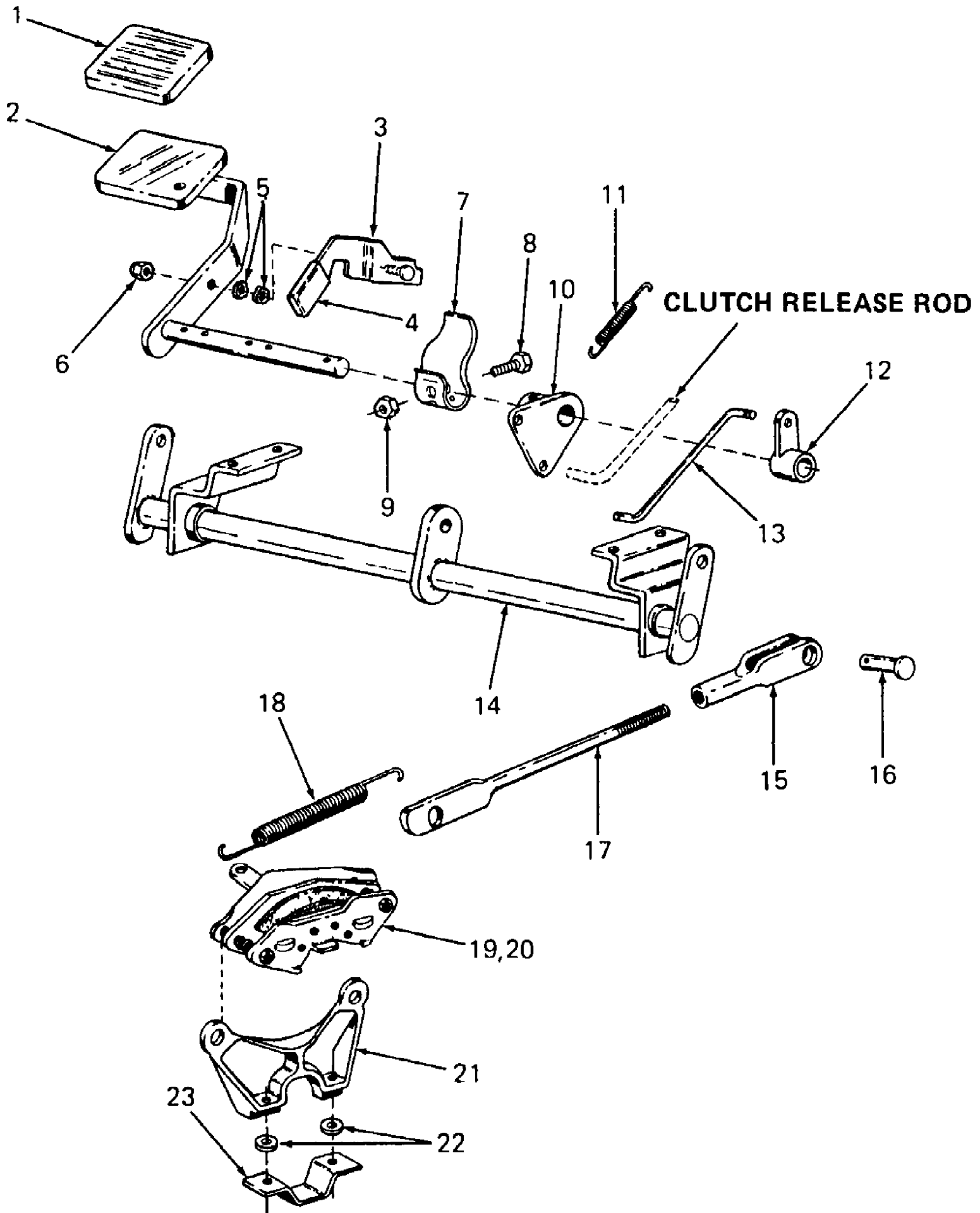
Ref #	Part Number	Qty	S/P/F	Description
1	KH-X-276-7	1	S	Wing Nut, 1/4-20
2	KH-47-082-01	1	/P	Cover, Air Cleaner
3	KH-47-032-03	1	/P	Seal, Cover
4	KH-47-083-01	1	S	Element
5	KH-47-086-19	3		Screw, Hex Hd, 10-32 X 15/16 Lg
6	KH-47-094-11	1		Base, Air Cleaner
7	KH-47-134-02	1	/P	Tube, Air
8	KH-45-041-07	1	/P	Gasket, Air Horn
9	KH-47-112-20	1		Spacer
	KH-25-113-07	1		Decal, Air Cleaner

1050 S/N 756,300 - 799,999
Baffles & Shroud



1050 S/N 756,300 - 799,999
 Baffles & Shroud

Ref #	Part Number	Qty	S/P/F	Description
1	KH-47-063-09	1		Baffle, Head
2	KH-47-063-10	1		Baffle, Cylinder
3	KH-X-25-53	1		Washer, Plain, 1/4
4	KH-47-086-08	1		Screw, Pozidriv T.H., 1/4-20 X 1/2 Lg
5	KH-47-027-40	1		Housing, Blower
6	KH-47-126-23	1		Bracket, Duct
7	KH-47-755-33	1	/P	Kit, Duct [Includes Ref No. 4 & 11 (Qty 3)]
8	KH-47-063-06	1		Baffle, Side Air
9	KH-47-063-07	1		Baffle, Inner
10	KH-52-086-11	8		Screw, Hex Wash Hd, 1/4-20 X 5/8 Lg
11	KH-X-67-64	3	S	Screw, Hex Wash Hd, #10-32 X 7/16 Lg
12	KH-X-25-20	1		Washer, Plain, 1/4
13	KH-X-154-4	1		Screw, HC Sems, 5/16-18 X 1.25 Lg

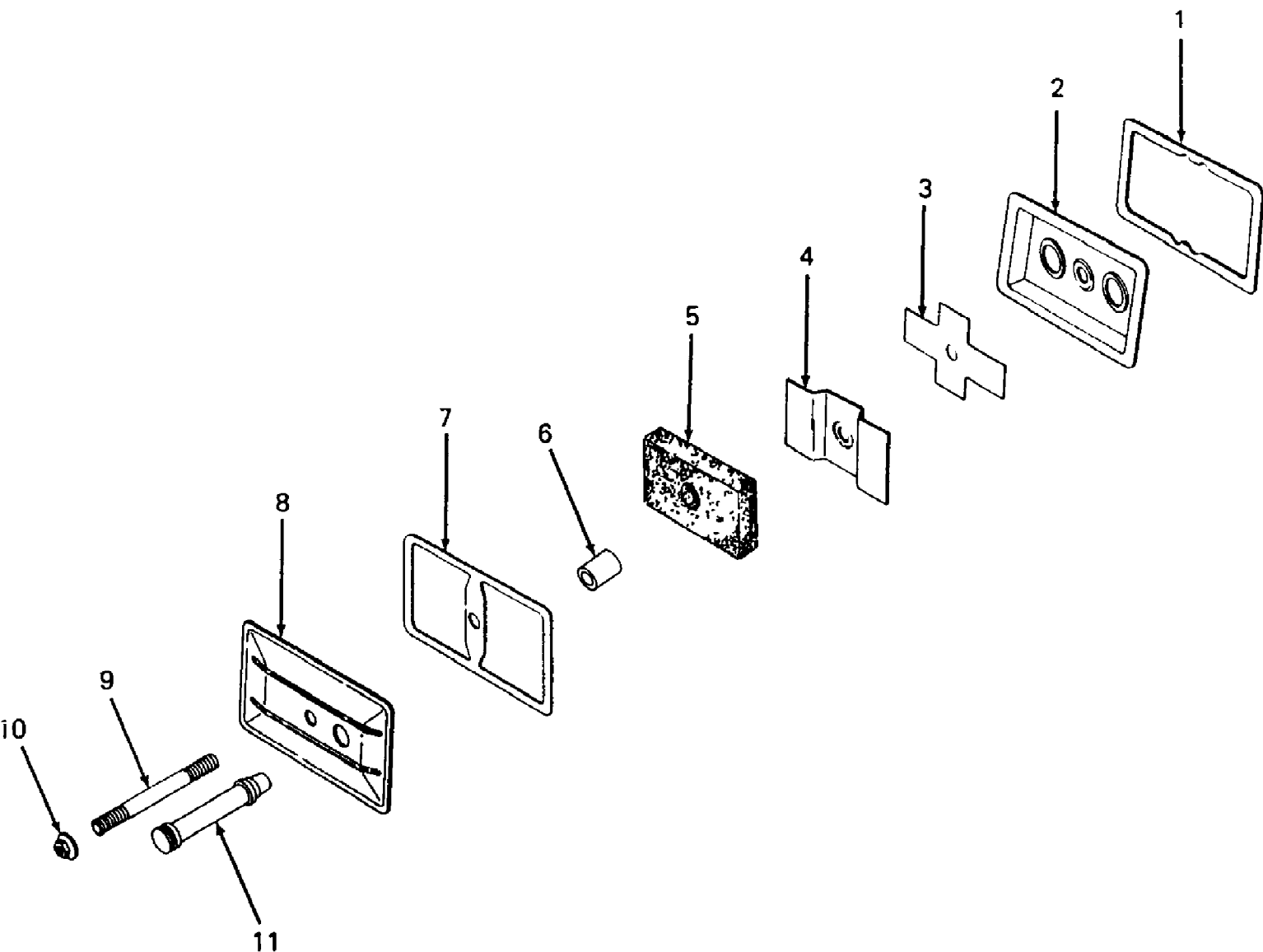


1050 S/N 756,300 - 799,999
Brakes & Connections

Page 6 of 80

Ref #	Part Number	Qty	S/P/F	Description
1	724-3000	1	S	Pad, Pedal
2	703-0845	1		Pedal Assy, Brake & Clutch
	715-0114	1	S	Pin, Spiral Spring, 1/4 Dia X 1.50 Lg
3	703-1393	1		Bracket, Parking Brake
4	720-3019	1	S	Grip, Parking Brake
5	736-3001	2	/P	Washer, Wave, 1/4 Dia
6	712-0324	1	/P	Nut, Hex Insert Lock, 1/4-20
7	732-3039A	1		Spring, Switch Operating
	715-0114	1	S	Pin, Spiral Spring, 1/4 Dia X 1.50 Lg
	726-3000	1	/P	Nut, Speed
8	710-3015	1	/P	Screw, Hex Cap, 1/4-20 X .75 Lg GR5
9	712-0291	1	S	Nut, Hex Center Lock, 1/4-20
10	703-0211	1	S	Arm, Brake & Clutch
	715-0114	1	S	Pin, Spiral Spring, 1/4 Dia X 1.50 Lg
11	732-3015	1	S	Spring, Brake Return
12	703-0900	1	S	Lever, Brake
	715-0114	1	S	Pin, Spiral Spring, 1/4 Dia X 1.50 Lg
13	747-3096	1		Rod, Brake Lever
	736-0185	2	S	Washer, Flat, .406 X .75 X .06 Thk
	714-0507	2	S	Pin, Cotter, 3/32 Dia X .75 Lg
14	703-0903	1		Shaft Assy, Brake
	710-3008	4	/P	Screw, Hex Cap, 5/16-18 X .75 Lg GR5
	736-0119	4	S	Washer, Lock, 5/16 Dia
	712-3010	4	S	Nut, Hex, 5/16-18 GR5
15	719-3013	2	/P	Clevis, Adjustment
16	711-3010	2	S	Pin, Clevis, 3/8 Dia X 1.0 Lg
	736-0185	2	S	Washer, Flat, .406 X .75 X .06 Thk
	714-0507	2	S	Pin, Cotter, 3/32 Dia X .75 Lg
17	711-3130	2		Rod, Brake
18	732-0260	2	S	Spring, Extension
19	759-3423	1	F	Brake Kit, LH - Caliper
20	759-3424	1		Brake Kit, RH - Caliper
21	719-3048	2	/P	Bracket, Brake Mounting
22	736-3010	4	/P	Washer, Flat, .406 X .812 X .134 Thk
23	703-0222	2		Bracket, Caliper Flange Mounting
	710-3125	4		Bolt, Hex Patch Lock, 3/8-16 X 1.25 Lg GR8

1050 S/N 756,300 - 799,999
Breather & Vent



1050 S/N 756,300 - 799,999
Breather & Vent

Ref #	Part Number	Qty	S/P/F	Description
1	KH-235048	1	/P	Gasket, Breather Plate
2	KH-235631	1	/P	Plate, Breather
3	KH-235047	1	S	Reed, Breather
4	KH-270146	1		Baffle, Breather
5	KH-47-050-01	1		Filter, Breather
6	KH-231032	1	/P	Seal, Breather
7	KH-275144	1	/P	Gasket, Valve Cover
8	KH-47-096-01	1		Cover, Valve
9	KH-275220	1		Stud, 1/4-20 X 3-1/4
10	KH-X-799-1	1		Palnut, 1/4-20
11	KH-47-326-04	1	S	Hose, Breather