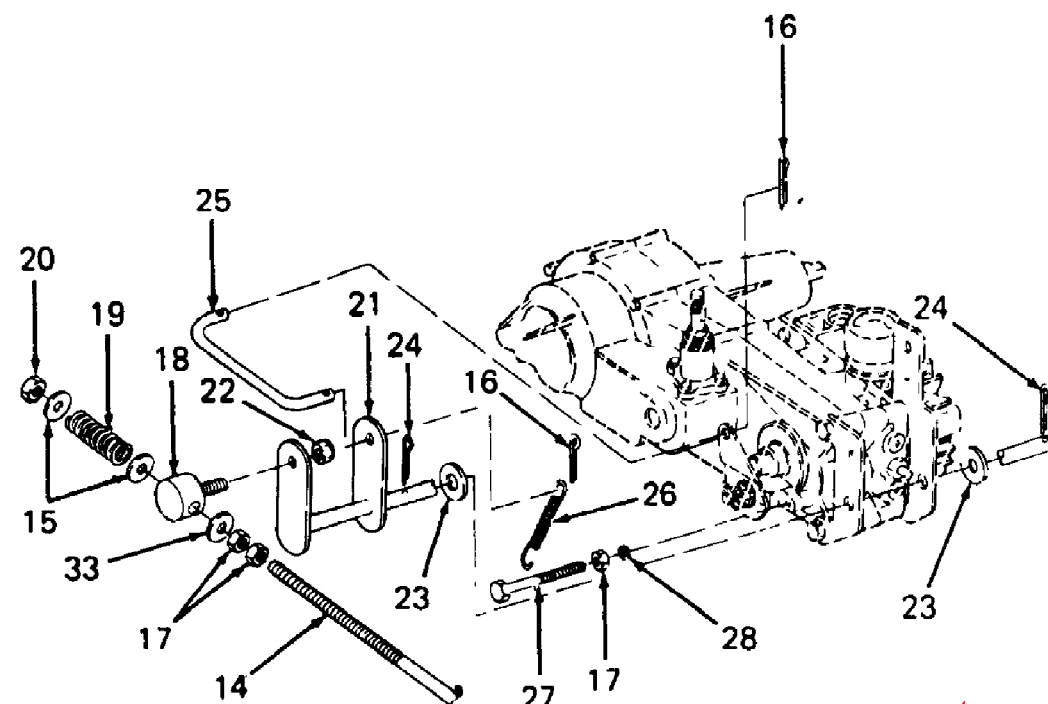
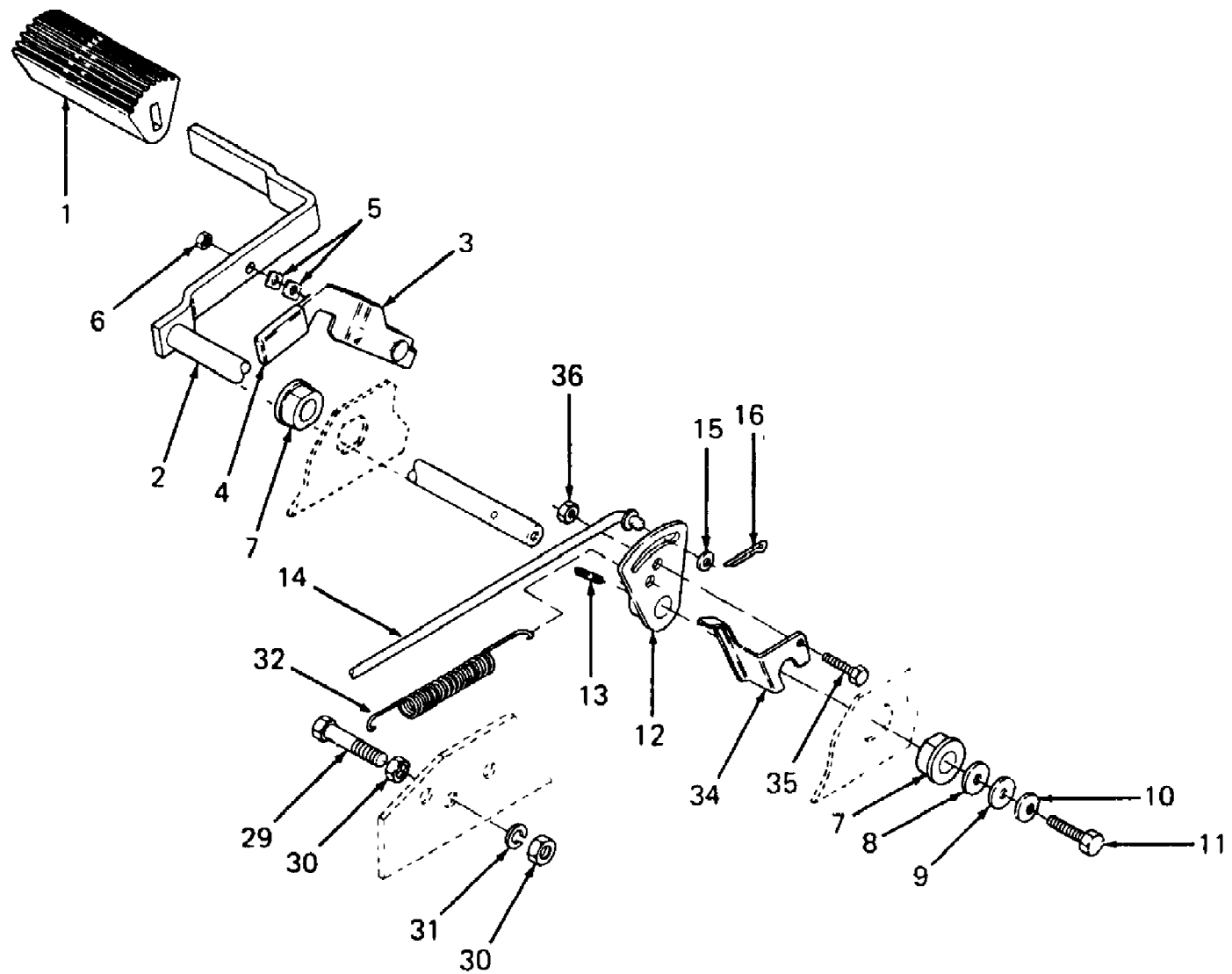


1020 S/N 126,001 - 207,400
Air Cleaner

Ref #	Part Number	Qty	S/P/F	Description
1	BS-94248	1		Screw, Air Cleaner
2	BS-223700	1		Cover, Air Cleaner
3	BS-212706	1	S	Knob, Air Cleaner
4	BS-231532	1	S	Nut, Air Cleaner Mounting
5	BS-94249	1	S	Washer, Air Cleaner
6	BS-94246	1		Screw, Air Cleaner
7	BS-491519	1	S	Cartridge, Air Cleaner
8	BS-490332	1		Body, Air Cleaner
9	BS-94018	1	S	Screw, Sems
10	BS-270853	1	/P	Gasket, Air Cleaner
11	BS-271962	1	S	Element, Air Cleaner

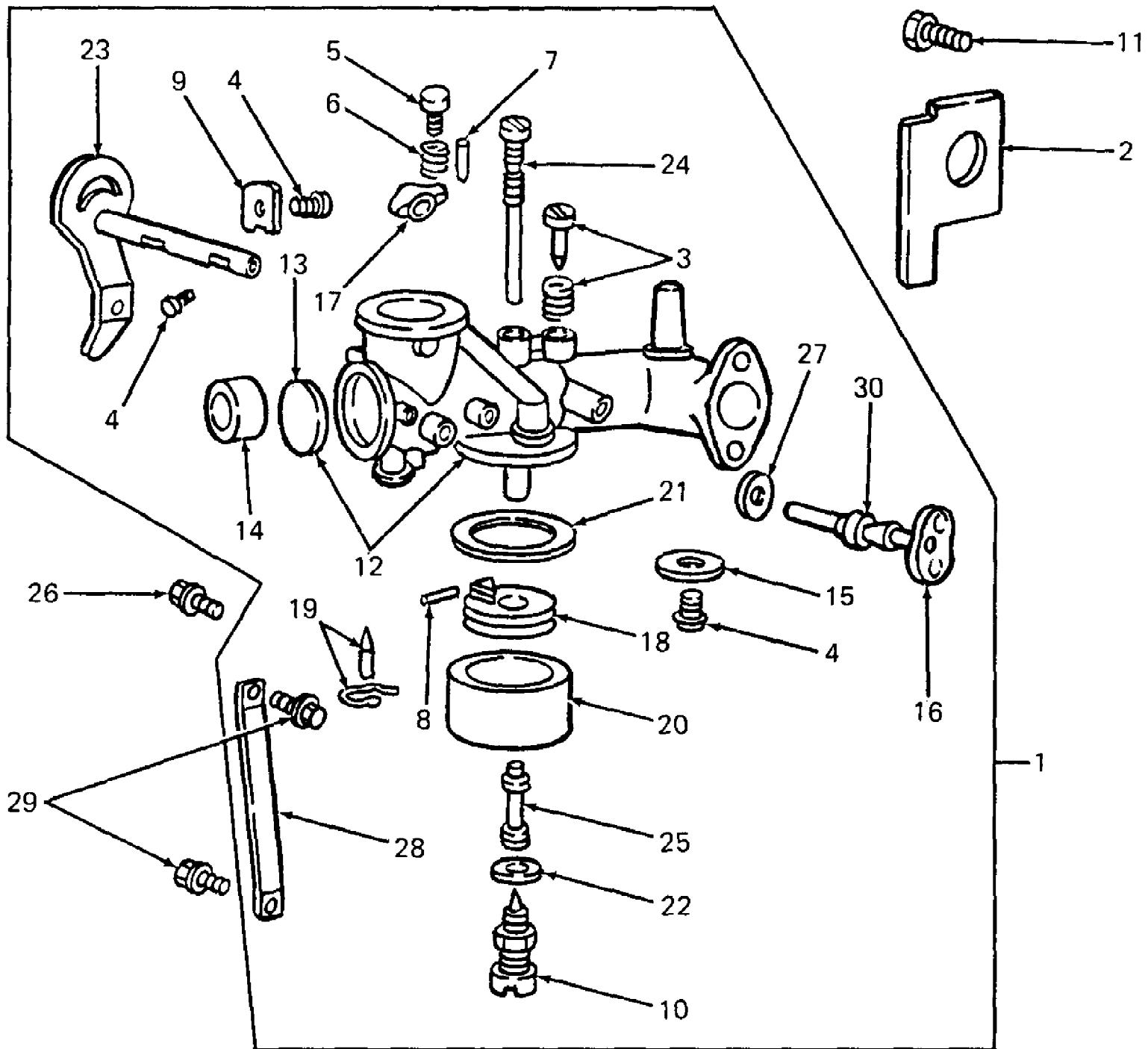


1020 S/N 126,001 - 207,400
Brake Pedal & Connections

Page 4 of 61

Ref #	Part Number	Qty	S/P/F	Description
1	735-0189	1		Pad, Foot
2	703-1532	1		Pedal, Brake
3	703-1393	1		Bracket, Parking Brake
4	720-3019	1	S	Grip, Parking Brake
5	736-3001	2	/P	Washer, Wave
6	712-0324	1	/P	Nut, Hex Insert Lock, 1/4-20
7	748-0209	2	S	Bearing, Flange
8	736-0156	AR	/P	Washer, Flat, .635 X 1.12 X .090 Thk
9	736-0176	1	S	Washer, Flat, .26 X .93 X .120 Thk
10	736-0270	1	/P	Washer, Bell, .265 X .75 X .062 Thk
11	710-3015	1	/P	Screw, Hex Cap, 1/4-20 X .75 Lg GR5
12	703-1558A	1		Cam, Brake
13	715-0134	1	S	Pin, Spiral Spring, 3/16 Dia X 1.5 Lg
14	747-3131	1		Rod, Brake
15	736-0173	3	/P	Washer, Flat, .281 X .73 X .063 Thk
16	714-0507	3	S	Pin, Cotter, 3/32 X .75 Lg
17	712-0298	3	S	Nut, Hex Jam, 1/4-20
18	711-0471	1		Ferrule
19	732-0330	1	S	Spring, Compression, .58 OD X 2.00 Lg
20	712-0291	1	S	Nut, Hex Center Lock, 1/4-20
21	703-1634	1		Shaft, Brake
22	712-0429	1	S	Nut, Hex Insert Lock, 5/16-18
23	736-0272	2	S	Washer, Flat, .510 X 1.0 X .060 Thk
24	714-0115	2	S	Pin, Cotter, 1/8 Dia X 1.0 Lg
25	747-3130	1		Link, Brake
26	732-0339	1	S	Spring, Extension
27	710-3201	1		Screw, Hex Patch, 1/4-20 X 1.5 Lg GR5
28	736-0329	1	S	Washer, Lock, 1/4
29	710-0194	1	/P	Screw, Hex Cap, 3/8-16 X 3.0 Lg
30	712-3017	2	S	Nut, Hex, 3/8-16 GR5
31	736-0169	1	S	Washer, Lock, 3/8
32	732-0429A	1	S	Spring, Extension, .50 OD X 3.97 Lg
33	736-0142	1	S	Washer, Flat, .281 X .50 OD X .063 Thk
34	703-1897	1		Bracket, Switch Actuator (For tractors w/serial no. 170,600 and above)
35	710-0289	1	S	Screw, Hex Cap, 1/4-20 X .50 Lg (For tractors w/serial no. 170,600 and above)
36	712-0107	1	S	Nut, Hex Patch Lock, 1/4-20 (For tractors w/serial no. 170,600 and above)

1020 S/N 126,001 - 207,400
Carburetor



1020 S/N 126,001 - 207,400
Carburetor

Page 6 of 61

Ref #	Part Number	Qty	S/P/F	Description
1	BS-491602	1		Carburetor Assembly
2	BS-270872	1	S	Gasket, Carburetor Mounting
3	BS-292681	1	/P	Valve Assy, Carburetor Idle
4	BS-93499	3	S	Screw, Throttle & Choke Valve Mtg Sems
5	BS-91920	1		Screw, Machine Fill Hd, #8-32 X .62 Lg
6	BS-26157	1	S	Spring, Throttle Adjustment
7	BS-93043	1		Pin, Throttle Stop
8	BS-230896	1		Pin, Float Hinge
9	BS-222010	1	/P	Valve, Choke
10	BS-396568	1		Valve, Needle
11	BS-93357	2		Screw, Carburetor Mounting
12	BS-490473	1		Body Assy, Carburetor (Includes Ref No. 13)
13	BS-221997	1		Plug, Welch
14	BS-213115	1		Venturi, Carburetor
15	BS-222433	1	/P	Valve, Throttle
16	BS-491006	1	/P	Shaft & Lever, Throttle
17	BS-211712	1	S	Stop, Throttle
18	BS-299707	1	/P	Float, Carburetor
19	BS-394681	1	/P	Valve, Fuel Inlet
20	BS-221995	1	/P	Bowl, Fuel
21	BS-270511	1	/P	Gasket, Float Bowl
22	BS-222014	1	S	Washer, Float Bowl
23	BS-299647	1		Shaft & Lever, Manual Choke
24	BS-299740	1		Nozzle, Carburetor
25	BS-231323	1		Screw, Nozzle
26	BS-93543	1	S	Screw, Control Casing
27	BS-271853	1	S	Washer, Foam
28	BS-222311	1		Bracket, Carburetor
29	BS-93572	2	S	Screw, Carburetor
30	BS-398970	1	S	Seal, Throttle Shaft
	BS-394698	1	/P	Kit, Carburetor Overhaul (Includes Ref No. 3, 8, 10, 13, 19, 21, 22, 24 & 25)