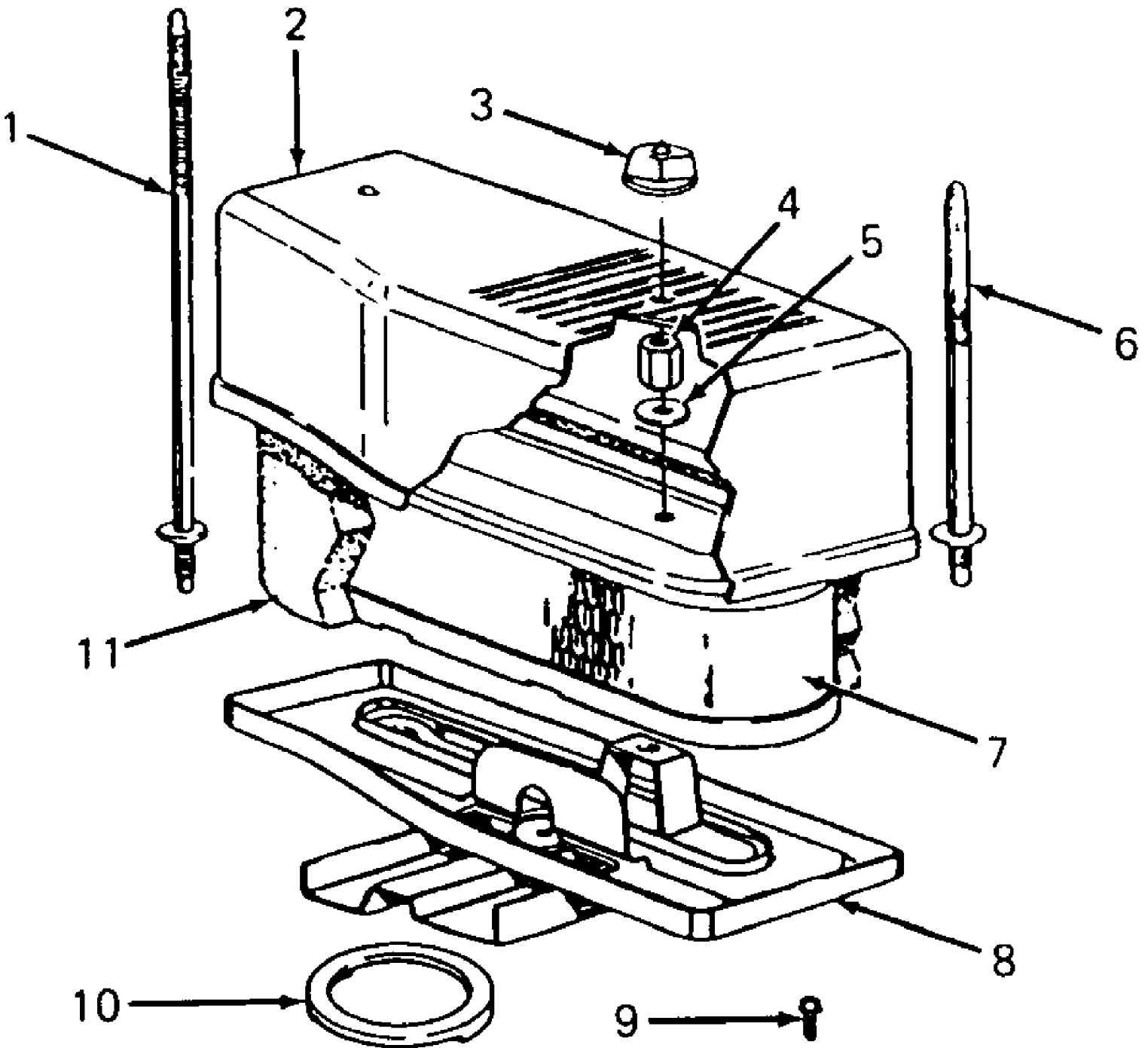


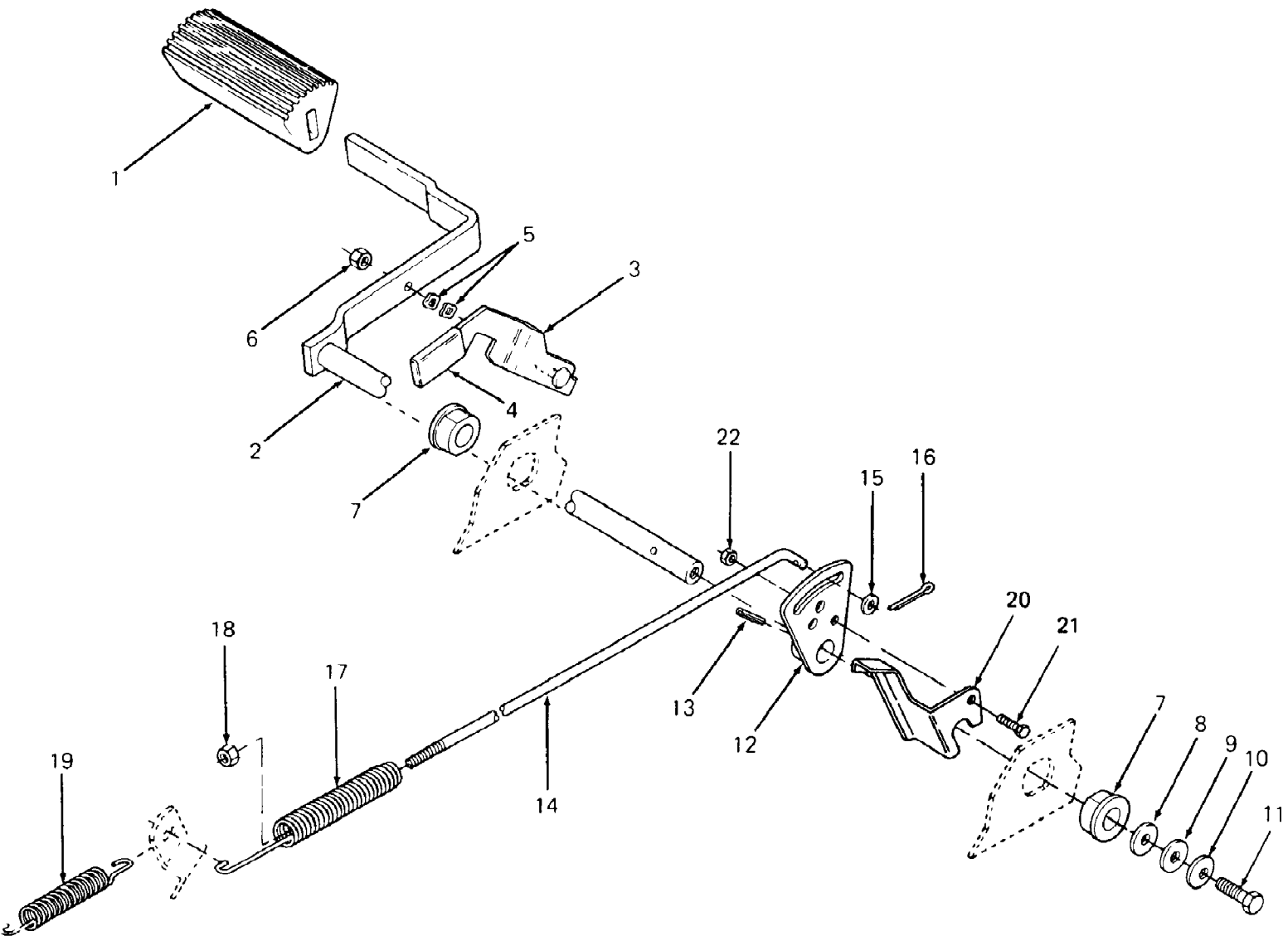
Air Cleaner



1015 S/N 126,001 - 207,400
Air Cleaner

Ref #	Part Number	Qty	S/P/F	Description
1	BS-94248	1		Screw, Air Cleaner
2	BS-223700	1		Cover, Air Cleaner
3	BS-212706	1	S	Knob, Air Cleaner
4	BS-231532	1	S	Nut, Air Cleaner Mounting
5	BS-94249	1	S	Washer, Air Cleaner
6	BS-94246	1		Screw, Air Cleaner
7	BS-491519	1	S	Cartridge, Air Cleaner
8	BS-490332	1		Body, Air Cleaner
9	BS-94018	1	S	Screw, Sems
10	BS-270853	1	/P	Gasket, Air Cleaner
11	BS-271962	1	S	Element, Air Cleaner

1015 S/N 126,001 - 207,400
Brake Pedal & Connections



1015 S/N 126,001 - 207,400
Brake Pedal & Connections

Page 4 of 58

Ref #	Part Number	Qty	S/P/F	Description
1	735-0189	1		Pad, Foot
2	703-1532	1		Pedal, Brake
3	703-1393	1		Bracket, Parking Brake
4	720-3019	1	S	Grip, Parking Brake
5	736-3001	2	/P	Washer, Wave
6	712-0324	1	/P	Nut, Hex Insert Lock, 1/4-20
7	748-0209	2	S	Bearing, Flange
8	736-0156	AR	/P	Washer, Flat, .635 X 1.12 X .090 Thk
9	736-0176	1	S	Washer, Flat, .26 X .93 X .120 Thk
10	736-0270	1	/P	Washer, Bell, .265 X .75 X .062 Thk
11	710-3015	1	/P	Screw, Hex Cap, 1/4-20 X .75 Lg GR5
12	703-1558A	1		Cam, Brake
13	715-0134	1	S	Pin, Spiral Spring, 3/16 Dia X 1.5 Lg
14	747-3124	1		Rod, Brake
15	736-0173	1	/P	Washer, Flat, .281 X .73 X .063 Thk
16	714-0507	1	S	Pin, Cotter, 3/32 X .75 Lg
17	732-3043	1		Spring, Ext
18	712-0107	1	S	Nut, Hex Patch, 1/4-20
19	732-3046	1		Spring, Brake Return
20	703-1897	1		Bracket, Switch Actuator
21	710-0289	1	S	Screw, Hex Cap, 1/4-20 X .50 Lg
22	712-0107	1	S	Nut, Hex Patch Lock, 1/4-20

