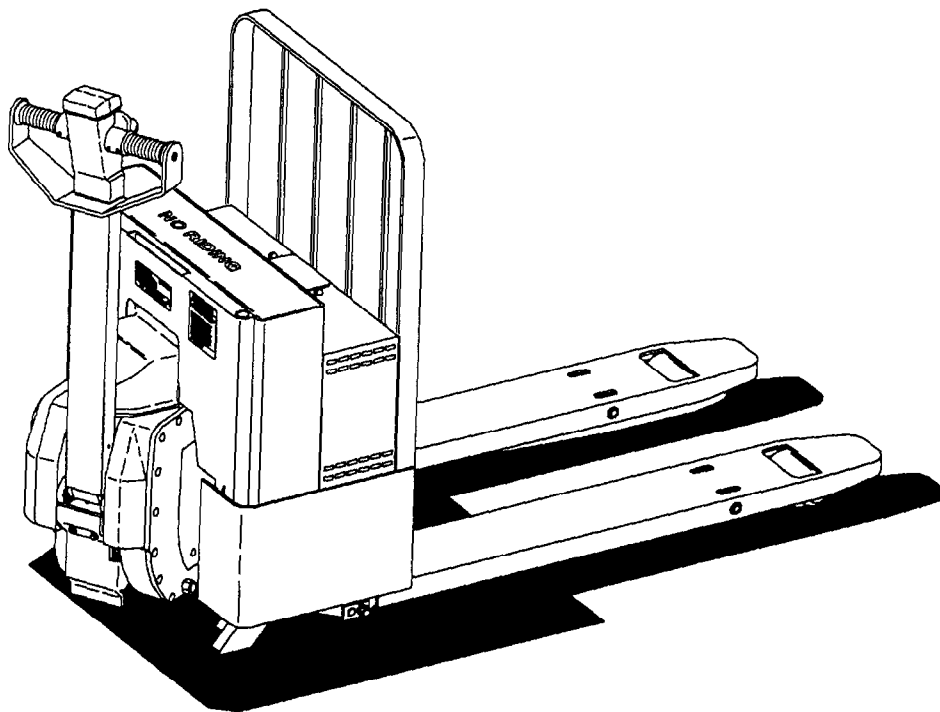


SM-560 WP-40



CLARK

Copyrighted Material
Intended for CLARK dealers only
Do not sell or distribute

Technical
Publications
Lexington, KY
40508

SERVICE MANUAL SM560

WP40

CONTENTS

GROUP	PAGE
FOREWORD	ii
HOW TO USE THIS MANUAL	iii
SAFETY SIGNS AND MESSAGES	iv
USER SAFE MAINTENANCE PRACTICES	v

GROUP	PAGE
PM Planned Maintenance Program	PM-1
12 Battery Removal, Cleaning and Charging	12-01
13 Direction / Accelerator Control	13-01
16 Electric Motor Maintenance	16-01
16 Pump Motor	16-03
16 Drive Motor	16-04
17 Contactor Panel	19-01
20 Drive Unit	20-01
22 Wheels and Tires	22-01
23 Brakes	23-01
34 Lift Mechanism	34-01
38 Machine Jacking & Blocking	38-02
40 Truck Data, Specifications	40-01

Index - Provides help for locating information about various topics.

FOREWORD

Clark Equipment Company welcomes you to the growing group of professional people who own, operate and maintain Clark lift trucks. This manual will familiarize you with service maintenance and overhaul information about your new truck. It has been especially prepared to help you maintain your Clark lift truck in an efficient and safe operating condition.

Regular, correct maintenance and care of your lift truck is not only important for full and efficient truck life; it is essential for your safety. A faulty lift truck is a potential source of danger to the operator, and to other personnel working near it. The importance of maintaining your lift truck in a safe operating condition by servicing it regularly and, when necessary, repairing it promptly cannot be emphasized too strongly.

To assist you in keeping your lift truck in good operating condition, this manual includes an outline of planned maintenance (PM) procedures that are considered essential to the life and safe performance of your truck. Brief procedures for inspections, operational checks, cleaning, lubrication, and adjustments are included for your reference.

Clark recommends that a planned maintenance and safety inspection program (PM) be performed by a trained and authorized mechanic on a regular basis. The PM program provides the opportunity to make thorough inspections and checks on the safe condition of your truck. Necessary adjustments and repairs can be done during the PM, which will increase the life of components and reduce unscheduled downtime. The need for major adjustments, repairs, or replacements is found and corrections made as required; not after failure has occurred.

HOW TO USE THIS MANUAL

This manual is intended to be used by persons who are trained and authorized to do lift truck maintenance. The recommended procedures for routine servicing and adjustments as well as for removal and overhaul of major components of the truck are outlined. It is written to show and describe the adjustment, removal, disassembly, inspection, repair, and assembly steps that are normally required to service these components.

The detailed procedures are arranged in sequence by numbered GROUP and Section. The GROUP numbers are the same as the component group in the Master Parts Book. Each GROUP has its own Table of Contents, so that you can find the various topics within more easily. If you cannot find a topic in the Table of Contents, check the Index at the back of the manual.

Component specifications, information notes and safety messages are included at the proper step of each procedure. To be better prepared to do the necessary service work, please take time to read the entire procedure, including any special instructions, before doing any work.

Specifications of selected truck components are included at the back of the manual for easy reference.

Also refer to the Operator's Manual, located on the truck, for additional information and instructions on the operation and maintenance of your truck.

If you have need for more information on the care and repair of your truck, please contact your authorized Clark dealer.

NOTICE - The descriptions and specifications included in this manual were in effect at the time of printing. Clark Equipment Company reserves the right to make improvements and changes in specifications or design, without notice and without incurring obligation. Please check with your authorized CLARK dealer for information on possible updates or revisions.

© Clark Equipment Company 1989

SM560 FWD iii

Copyrighted Material
Intended for CLARK dealers only

This is the cut pages sample. Download all 42 page(s) at: ManualPlace.com