

CLARK

PARTS MANUAL

No. 3328

55C

MICHIGAN

WHEEL LOADER

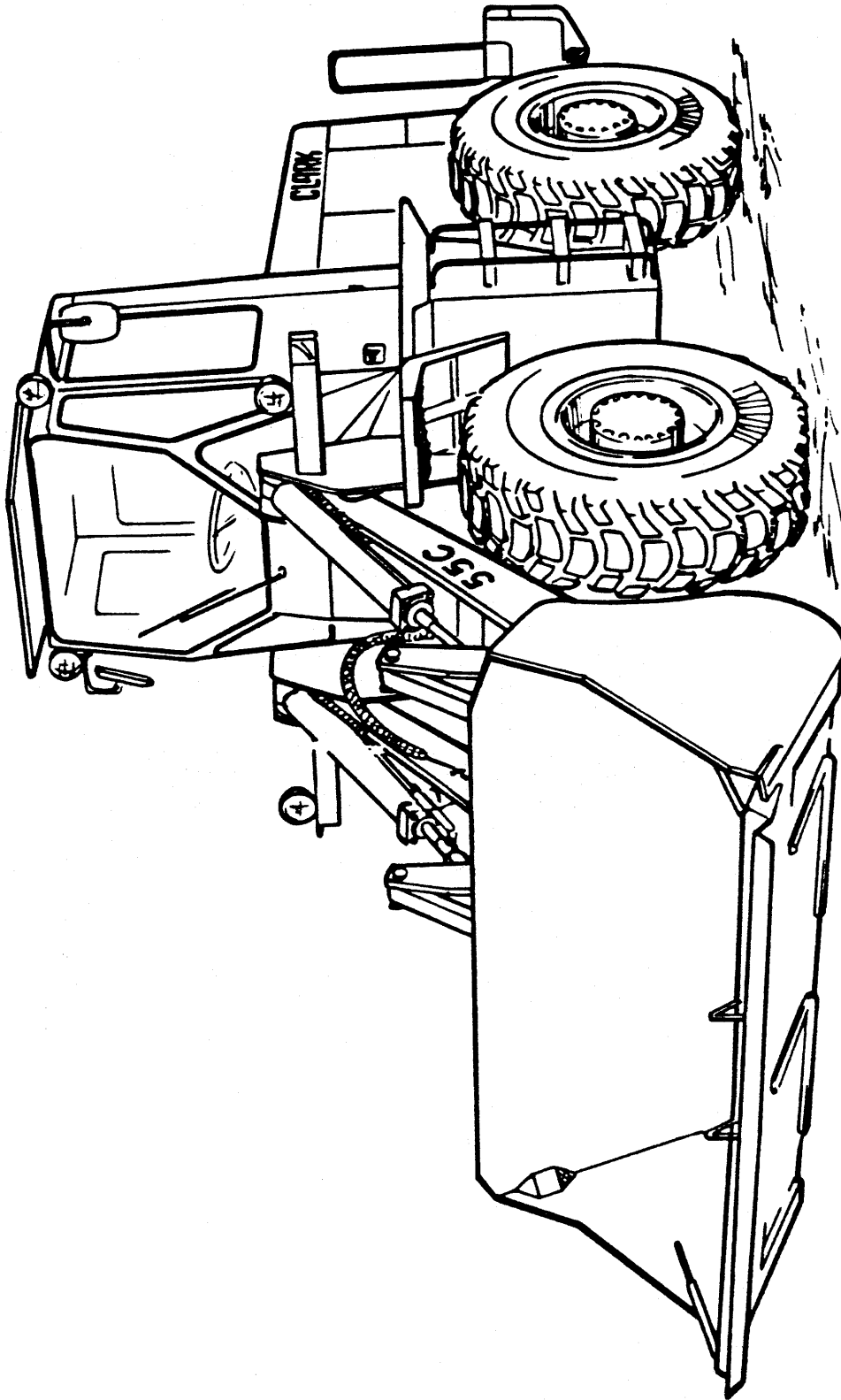
For Machine Serial Numbers

55 CUMMINS — 4242B

**Record Your Machine
Serial Number Here**

CLARK

TS-20879



— ABBREVIATIONS —

adj	adjusting	inc	includes
assy	assembly	inst	instrument
bck	bucket	int	interior
bllcrnk	bellcrank	lft	lift
blwr	blower	LH	left hand
bm	boom	lubr	lubrication
brg	bearing	mtg	mounting
brk	brake	outl	outlet
brkt	bracket	planet	planetary
bshg	bushing	press	pressure
bst	boost	pwr	power
C	center	qk	quick
circ brkr	circuit breaker	R	rear
cln	cleaner	rad	radiator
clsr	cluster	ret	retainer
cnntg	connecting	rg	ring
cntrl	control	RH	right hand
comp	compressor	rpr kt	repair kit
conv	converter	rsvr	reservoir
crr	carrier	sectn	section
cyl	cylinder	shvl	shovel
diff	differential	sol	solenoid
elem	element	strg	steering
emgcy	emergency	suc	suction
eng	engine	temp	temperature
F	front	trans	transmission
fltr	filter	trctr	tractor
ga	gauge	whl	wheel
hst	hoist	wndshld	windshield
hyd	hydraulic	wpr	wiper
in	inlet		

— ABBREVIATIONS —

adm	admission	inf	inferieur
arb	arbre	int	interieur
AR	arriere	intér	interrupteur
art	articule	jge	jauge
ass	assemblage	jnt	joint
AV	avant	lev	levier
btn	bouton	lubr	lubrification
C	central	lum	lumiere
carb	carburant	mot	moteur
CD	côte droit	pc	piece
CG	côte gauche	pres	pression
cntrl	controle	rech	rechange
conv	convertisseur	red	reduction
couv	couvercle	refroid	refroidisseur
déc	decalcanie	regnt	regulateur
déch	decharge	rent	renford
dém	demarreur	rep	reparation
diff	differentiel	rés	reservoir
direct	direction	roul	roulement
disj	disjoncteur	sec	section
elé	element	sens	sensible
embr	embrayage	sol	solenoid
engr	engrenage	soup	soupape
ens	ensemble	temp	temperature
étan	etancheite	trs	trousse
ext	exterieur	univ	universel
filt	filtre	vibr	vibrations
hyd	hydraulique	vit	vitesse
inc	inclus		

SYMBOLS

- †NOT ILLUSTRATED
- §NOT SOLD SEPARATELY
- ‡AS REQUIRED
- THRU
- &→AND AFTER

SYMBOLES

- †NON REPRESENTE
- §NON VENDU SEPAREMENT
- ‡SUIVANT BESOIN
- A
- &→ET SUIVANTS

— ABKÜRZUNGEN —

Abfl	Abfluss	Lrfl	Leerlauf
Abschn	Abschnitt	Mess	Messer
Abz	Abziehbild	R	rechts
Akkum	Akkumulator	Repsatz	Reparaturatz
Alter	Alternator	Schau	Schaufel
Ant	Antriebs	Scheibwis	Scheibenwischer
Anz	Anzeige	Schm	Schmierung
Aust	Ausleger	Sich Auto	Sicherungsautomat
B	Beschrift	Sicherhgurt	Sicherheitsgurt
Batt	Batterie	Stromkrunterbrecher	Stromkreisunterbrecher
Befest	Befestigung	temp	Temperatur
Dicht	Dichtung	tr	trager
Diff	Differential	Trak	Traktor
Drehwand	Drehmomentwandler	Treibrmn	Treibriemen
Einh	Einheit	Trom	Trommel
E-z	Einsatz	Univ	Universal
geh	gehause	V	vorne
ges	geschwindigkeit	Vent	Ventilator
getr	Getriebe	Verbdg	Verbindung
H	hinten	Vnll	Ventil
Hltrg	Halterung	voll/vollst	vollständig
Hyd	Hydraulik	vorr	vorrichtung
Komp	Kompressor	Wand	Wandler
Kontr	Kontrolle	Wnkl	Winkel
Konv	Konverter	Zu	Zufluss
Kppl	Kupplung	Zug	Zugmaschine
Krftst	Kraftstoff	Zyl	Zylinder
L	links		

ZEICHENERKLÄRUNG

- †NICHT ABGEBILDET
- §NICHT EINZELN LIEFERBAR
- ‡STÜCKZAHL ANGEBEN
- BIS
- &→UND FORTLAUFEND

— ABREVIATURAS —

access	acessorio
acopl	acoplamento
adapt	adaptador
aglom	aglomeração
alim	alimentação
aloj	alojamento
alter	alternador
amort	amortecedor
arr	arruela
arti	articulação
asp	aspiração
bat	bateria
bxo	baixo
calib	calibre
carr	carregador
cent	central
chav	chaveta
cil	cilindro
comb	combustível
comp	compressor
condic	condicionador
conj/cj	conjunto
contr	controle
conv	conversor
corr	corrente
crr	correia
cx	caixa
dec	decalcomania
desc	descarga
desliz	deslizante
Di	dianteiro

dif	diferencial
direç	direção
disj	disjuntor
el	elemento
embr	embreagem
emerg	emergência
engr	engrenagem
equip	equipamento
est	estérico
estac	estacionamento
et	etiqueta
ext	exterior
ferra	ferramenta
filt	filtro
hid	hidraulico
inc	incluido
indic	indicador
inf	inferior
inst	instrumentos
int	interior
inter	interruptor
jgo	jogo
LD	lado direito
LE	lado esquerdo
limp	limpador
lubr	lubrificação
manôm	manômetro
med	medidor
mot	motor
pá-br	para-brisas
paraf	parafuso

pres	pressão
prot	proteção
rad	radiador
refor	reforcador
reg	regulador
rep	reparo
resp	respirador
resv	reservatório
rolam	rolamento
seq	seção
segur	segurança
sens	sensitiva
sol	solenóide
sold	soldagem
suc	sucção
sup	superior
supt	suporte
tamb	tambor
temp	temperatura
term	termômetro
TR	traseiro
trans	transmissão
unid	unidade
univ	universal
válv	válvula
ved	vedador
veic	veículo
vel	velocidade
vent	ventilador
vibr	vibração

ABREVIATURAS

ac	aceite
access	acessorio
acondic	condicionador
acopl	acoplamento
acum	acumulador
adapt	adaptador
alim	alimentación
alm	almohadilla
aloj	alojamento
alter	alternador
amort	amortiguador
aran	arandela
arb	árbol
arti	articulación
asp	aspiración
bat	batería
cal	calcomanía
chav	chaveta
cil	cilindro
coj	cojinete
comb	combustible
conj/cj	conjunto
contr	control
conv	convertidor
corr	correa
cris	cristales
crr	corredera
cub	cubierta
cuch	cucharon
DE	delantero
dep	deposito

desc	descarga
direc	dirección
disp	dispositivo
disy	disyuntor
el	elemento
embr	embrague
emerg	emergencia
empa	empaquetadura
enr	engrenaje
env	envolvente
est	estérico
estac	estacionamiento
et	etiqueta
ext	exterior
filt	filtro
herra	herramientas
hid	hidráulico
inc	incluye
ind	indicador
inf	inferior
inst	instrumentos
int	interior
inter	interruptor
jgo	juego
LD	lado derecho
LI	lado izquierdo
limp	limpiador
lubr	lubricación
manóm	manómetro
med	medidor
parb	parabrisas

pesc	pescante
planet	planetario
port	portador
pres	presión
prot	protector
rad	radiador
rec	recambio
reg	regulador
rep	reparo
res	resorte
resp	respirador
rod	rodamiento
sec	sección
segur	seguridad
sens	sensora
sol	solenóide
sold	soldadura
sop	soporte
suc	succión
sup	superior
tamb	tambor
temp	temperatura
termó	termómetro
TR	traseiro
trans	transmission
unid	unidad
univ	universal
válv	válvula
vel	velocidad
vent	ventilador
vibr	vibración

SÍMBOLOS

†NÃO ILUSTRADO
 \$NÃO E VENDIDA SEPARADAMENTE
 ‡CONFORME NECESSARIO
 →ATÉ
 &→E SUBSEQUENTES

SÍMBOLOS

†NO ILUSTRADO
 \$NO VENDIDA SEPARADAMENTE
 ‡SEGUN NECESIDAD
 →HASTE
 &→Y SUBSIGUIENTES

ALPHABETICAL INDEX

A		Engine Air Cleaner & Exhaust System.....	E13
Alternator.....	E9, E11, E19	Engine Controls.....	E15
Axle Assembly, Front.....	A3	Engine Oil By-Pass Filter.....	E17
Axle Assembly, Rear.....	A5	Engine, Transmission & Hydraulic System Filter Replacement Elements.....	E11
Axle Differential Carrier Assembly, Front Drive.....	A7	F	
Axle Differential Carrier Assembly, Rear Drive.....	A9	Frame, Front & Rear.....	F3
Axle Planet Carrier Assembly, Front & Rear Drive.....	A11	Fuel Gauge Kit.....	Z7
B		Fuel Tank & Lines.....	F5
Battery.....	B1, E9	G	
Battery & Battery Mount.....	B1	Grille.....	S5
Boom Kickout Kit.....	Z1	H	
Boom, Bellcrank, Pushrod & Bucket Leveler.....	B3, B5	Heater Installation.....	Z9
Brake Controls.....	B7	Hood.....	S5
Brake Controls, Parking.....	B8	Horn.....	E7
Brake Head Assembly.....	B10	Hourmeter.....	E5
Brake Head Assembly, Front.....	B9	Hydraulic Oil Reservoir.....	H3
Brake Head Assembly, Parking & Emergency.....	B11, B11A	Hydraulic System, Main.....	H5, H7
Brake Lines, Front & Rear.....	B13, B15, B17	Hydraulic System, Steering.....	H9, H11
Bucket Assembly.....	B18	Hydraulic System, Transmission & Torque Converter.....	H13
Bucket Teeth.....	B19	I	
C		Insulated Clip.....	C1
Cab.....	Z3, Z17	Insulated Double Clip.....	C3
Cab Assembly.....	Z3, Z5	L	
Case.....	A7, A9, T5	Lubrication System.....	L3
Clips — Wiring, Pipe & Hose....	C1, C3	Luxury Seat Kit.....	Z11
Cockpit.....	Z11	M	
Cockpit Assembly.....	C5	Moulding.....	E7, Z3, Z5
Cold Start Kit.....	C6	N	
Counterweight.....	C7	Nameplates & Decals.....	N3, N5
Cylinder Assembly, Boom.....	C9	E	
Cylinder Assembly, Bucket.....	C11	Electrical Instrument Panel.....	E3, E5
Cylinder Assembly, Steering.....	C13	Electrical System.....	E7, E9
E		Engine & Transmission Mountings.....	E19
Electrical Instrument Panel.....	E3, E5	Engine Accessories.....	E11
Electrical System.....	E7, E9	F	
Engine & Transmission Mountings.....	E19	Frame, Front & Rear.....	F3
Engine Accessories.....	E11	Fuel Gauge Kit.....	Z7
F		Fuel Tank & Lines.....	F5
Engine Air Cleaner & Exhaust System.....	E13	G	
Engine Controls.....	E15	Grille.....	S5
Engine Oil By-Pass Filter.....	E17	H	
Engine, Transmission & Hydraulic System Filter Replacement Elements.....	E11	Heater Installation.....	Z9
G		Hood.....	S5
Grille.....	S5	Horn.....	E7
H		Hourmeter.....	E5
Heater Installation.....	Z9	Hydraulic Oil Reservoir.....	H3
Hood.....	S5	Hydraulic System, Main.....	H5, H7
Horn.....	E7	Hydraulic System, Steering.....	H9, H11
Hourmeter.....	E5	Hydraulic System, Transmission & Torque Converter.....	H13
Hydraulic Oil Reservoir.....	H3	I	
Hydraulic System, Main.....	H5, H7	Insulated Clip.....	C1
Hydraulic System, Steering.....	H9, H11	Insulated Double Clip.....	C3
Hydraulic System, Transmission & Torque Converter.....	H13	L	
I		Lubrication System.....	L3
Insulated Clip.....	C1	Luxury Seat Kit.....	Z11
Insulated Double Clip.....	C3	M	
L		Moulding.....	E7, Z3, Z5
Lubrication System.....	L3	N	
Luxury Seat Kit.....	Z11	Nameplates & Decals.....	N3, N5
M		E	
Moulding.....	E7, Z3, Z5	Electrical Instrument Panel.....	E3, E5
N		Electrical System.....	E7, E9
Nameplates & Decals.....	N3, N5	Engine & Transmission Mountings.....	E19
E		Engine Accessories.....	E11

ALPHABETICAL INDEX (CONT.)

P

Propeller Shaft Assembly, Mid-Mount Bearing / Front Axle	P 3
Propeller Shaft Assembly, Rear Axle / Transmission	P 4
Propeller Shaft Assembly, Transmission / Mid-Mount Bearing	P 5
Pump Assembly	P 7

Q

Quick Start Aid Kit	Z 13
---------------------------	------

R

Radiator Assembly	R 1
Radiator Connections	R 3
Reservoir	C 6, H 3, H 11, Z 17

S

Seat	V 5
Seat & Support Parts	S 1
Seat Assembly	S 3
Sheet Metal Group	S 5
Shroud	R 1
Starter	E 9, E 11
Steering Controls	S 7
Suspension Seat Assembly	Z 15

T

Transmission & Converter Assembly	T 3, T 5
Transmission - Gear & Shaft Group	T 17, T 19
Transmission Clutch Group, Forward	T 6
Transmission Clutch Group, Low	T 7
Transmission Clutch Group, Reverse & Second	T 8
Transmission Clutch Group, Third	T 9
Transmission Control Valve	T 11
Transmission Controls	T 21
Transmission Converter Assembly	T 13, T 15
Transmission Modulated Valve Assembly	T 23

V

Valve Assembly (Two Spool)	V 3, V 5
Valve Assembly, Flow Divider	V 9
Valve Assembly, Steering Pressure Relief	V 8
Valve Controls	V 11-2
Valve, Main, Electric Detent Assembly, Boom	V 6
Valve, Main, Electric Detent Assembly, Bucket	V 7

W

Wheel & Tire Data	W 2
Windshield Washer & Wipers	Z 17

Y

Yoke	P 3, P 4, P 5
------------	---------------

OTHER PUBLICATIONS AVAILABLE FROM YOUR CLARK DISTRIBUTOR

