

CLARK

PARTS MANUAL

**No. 3083
45B**

MICHIGAN

WHEEL LOADER

**For Machine Serial Numbers
4189 A101FSC thru A999 FSC**

<p>Record Your Machine Serial Number Here</p> <hr/>
--



ALPHABETICAL INDEX

A			
Accessories, Engine	1E17	Canopy	2C5
Adapter Plate, Brake	1A6	Carrier Assembly	1A10
Air Brake Valve	1J6	Clip, Insulated	1B21
Air Cleaner & Connections — Engine	1E19	Clips, Wiring, Pipe & Hose	1B21
Air Lines, Brake	1B2	Clutch Group, Transmission, First & Second	1I 9
Alcohol Injector Kit	2A5	Clutch Group, Transmission, Low	1I 10
Axle Assembly, Front	1A6	Clutch Group, Transmission, Reverse & Third	1I 11
Axle Assembly, Rear	1A8	Cockpit Assembly	1B22
Axle Cradle Assembly	1F4	Cockpit Sound Proofing	2B12
Axle Differential Carrier, Front Drive	1A10	Color Code, Electrical Wiring	1D2
Axle Differential Carrier Assembly, Rear Drive	1A14	Connections, Radiator	1G19
Axle Planet Carrier Assembly, Front & Rear	1A17	Control Levers & Linkage, Transmission	1I 16
		Control Valve, Transmission	1I 14
B		Controls, Brake	1B10
Back-Up Light	1C14	Controls, Brake — Parking	1B12
Battery & Battery Mount	1A20	Controls, Engine	1E22
Battery & Battery Mount — Tiefbau	2A8	Controls, Steering	1H8
Battery Cables & Electrical Wiring	1C22	Controls, Valve (2 Spool), Levers & Linkage	1J24
Bearing Assembly, Mid-Mount	1F22	Controls, Valve (3 Spool), Levers & Linkage	2D14
Bellcrank & Pushrod	1A22	Converter & Transmission Assembly	1H14
Belt Assembly, Seat	1G21	Converter Assembly, Transmission	1H18
Belt, Seat & Support Parts	1G21	Converter Pressure Regulating Valve, Transmission	1I 2
Belts, Engine	1E17	Converter Torque — Hydraulic System	1F19
Boom Assembly	1A22	Converter, Reaction Member	1H20
Boom Cylinder Assembly	1C2	Counterweight	1F4
Boom, Bellcrank, Pushrod & Bucket Leveler	1A22	Cradle Assembly, Axle	1F4
Brake Adapter Plate	1A6	Cushion, Seat	1G21
Brake Air Lines, Front & Rear	1B2	Cylinder Assembly, Boom	1C2
Brake Assembly, Parking	1B9	Cylinder Assembly, Bucket	1C6
Brake Compensator Cylinder Assembly	1A19	Cylinder Assembly, Steering	1C8
Brake Controls	1B10		
Brake Controls, Parking	1B12	D	
Brake Disc	1A6	Decals & Nameplates	1G1
Brake Head Assembly	1B13	Defroster Fan Assembly	2B13
Brake Lever Assembly, Parking	1B16	Differential Carrier Assembly, Front	1A10
Brake Lining	1B13	Differential Carrier Assembly, Rear	1A14
Brake Pedal	1B10	Dipstick, Oil Reservoir	1F12
Brake Power Cluster Assembly	1B18	Dipstick, Transmission	1F19
Brake Valve — Air	1J6	Disc, Brake	1A6
Brake Warning Light	1C12	Door Lock	2A18
Brake, Hand — Valve	1B4	Drawbar Pin	1F4
Bucket Assembly Data	1B19		
Bucket Cylinder Assembly	1C6	E	
Bucket Extension Spill Guard	2A9	Electrical Lights & Instrument Panel	1C12
Bucket Leveler	1A22	Electrical System	1C14
Bucket Teeth	2A10	Electrical Wiring & Battery Cables	1C22
Bucket Tooth Kit	2A11	Electrical Wiring Color Code	1D2
		Element, Air Cleaner	1E19
C		Engine & Transmission Mountings	1F2
Cab Assembly	2A16	Engine & Hydraulic System Filter Replacement Elements	1E18
Cab Assembly, Tiefbau	2A20	Engine Accessories	1E17
Cab Lights & Wiring	2B7	Engine Air Cleaner Element	1E18
Cab Lights & Wiring, Tiefbau	2B8	Engine Air Cleaner & Connections	1E19
Cab Soundproofing	2B9	Engine Air Cleaner & Connections, Optional	2B14
Cab, Heater Assembly	2B16	Engine Belts	1E17
Cables, Battery & Electrical Wiring	1C22	Engine Controls	1E22

ALPHABETICAL INDEX (Cont.)

Engine Exhaust System 1E23
 Engine Fuel Filter 1E18
 Engine Oil Full Flow Filter 1E18
 Engine Oil Pressure Switch 1C16
 Engine Temperature Switch 1C14
 Exhaust System, Engine 1E23

F

Fan Assembly 1E17
 Fan Assembly, Defroster 2B13
 Filter Replacement Elements – Engine & Hydraulic
 Filter, Engine Fuel 1E18
 Filter, Engine Oil Full Flow 1E18
 Filter, Hydraulic Oil Reservoir, Pressure 1E18
 Flow Divider Valve Assembly 1J7
 Frame, Front 1F6
 Frame, Front & Rear 1F4
 Frame, Rear 1F6
 Front Axle Assembly 1A6
 Fuel Filter, Engine 1E18
 Fuel Tank & Lines 1F8

G

Gear & Shaft Group, Transmission 1I 4
 Gear, Ring 1H20
 Glass Pattern Kit 2A18
 Governor 1B8
 Grease Piping 1F9
 Grille 1H4

H

Hand Brake, Valve 1B4
 Hand Rail 1H4
 Harness, Wiring 1C12
 Head Assembly, Brake 1B13
 Headlight Assembly, Cab 2B7
 Heater Assembly, Cab 2B16
 Heater Kit 2B17
 Heater Piping Installation 2B18
 Hood 1H4
 Horn 1C14
 Hourmeter 1H4
 Hourmeter Kit 1C16
 Housing, Axle 1A6
 Hydraulic Oil Reservoir 1F12
 Hydraulic Oil Reservoir Pressure Filter 1E18
 Hydraulic System & Engine –
 Filter Replacements Elements 1E18
 Hydraulic System, Main 1F14
 Hydraulic System, Steering 1F18
 Hydraulic System, Transmission &
 Torque Converter 1F19

I

Impeller Assembly 1H18

Instrument Panel & Electrical Lights 1C12
 Insulated Clip 1B21

L

Lever Assembly, Parking Brake 1B16
 Levers & Linkage, Transmission Control 1I 16
 Levers & Linkage, Valve Controls (2 Spool) 1J24
 Levers & Linkage, Valve Controls (3 Spool) 2D14
 Lifting Lugs Kit 2B21
 Light Stop & Tail 1C14
 Light Switch 1C12
 Light, Back-Up 1C14
 Light, Brake Warning 1C12
 Lights, Cab & Wiring 2B7
 Lights, Electrical 1C12
 Limit Switch 1A24
 Lines, Fuel & Tank 1F8
 Lining, Brake 1B13
 Lock, Door 2A18

M

Main Hydraulic System 1F14
 Main Pump Assembly 1G7
 Main Valve Assembly 1J10
 Main Valve Assembly (3 Spool) 2D4
 Mid-Mount Bearing Assembly 1F22
 Mount, Battery 1A20
 Muffler 1E23

N

Nameplates & Decals 1G1
 Nameplates & Decals, Tiefbau 2B22
 Neutral Start Switch 1C16
 Numerical Index 2D19

O

Oil Pressure Switch, Engine 1C16
 Oil Reservoir Dipstick 1F12
 Oil Reservoir, Hydraulic 1F12

P

Parking Brake Assembly 1B9
 Parking Brake Controls 1B12
 Parking Brake Lever Assembly 1B16
 Parts Numerical Index 2D19
 Pedal, Brake 1B10
 Pin, Drawbar 1F4
 Pipe, Clips, Wiring & Hose 1B21
 Piping Grease 1F9
 Piping Installation & Parts (Three Spool) 2C2
 Piping Installation, Heater 2B18
 Planet Carrier Assembly 1A17
 Plate, Brake Adapter 1A6
 Power Cluster Assembly, Brake 1B18

ALPHABETICAL INDEX (Cont.)

Pressure Switch 1C14
 Pressure, Filter, Hydraulic Oil Reservoir 1E18
 Propeller Shaft Assembly, Midmount Bearing,
 Transmission & Front Axle 1G4
 Propeller Shaft Assembly, Rear Axle/Transmission 1G5
 Pump Assembly, Main 1G7
 Pump Assembly, Steering 1G10
 Pump Attaching Parts 1G11
 Pump Charging & Oil Filter Assembly,
 Transmission Converter 1I 2
 Pushrod Assembly 1A24

Q

Quick Release Valve 1B4

R

ROPS 2C5
 Radiator Assembly 1G14
 Radiator Connections 1G19
 Rail, Hand 1H4
 Reaction Member Converter 1H20
 Rear Axle Assembly 1A8
 Rear Frame 1F6
 Reservoir, Hydraulic Oil 1F12
 Ring Gear 1H20
 Roll-Over Protective Structure ROPS 2C5

S

Safety Valve 1B2
 Seat Assembly, Tiefbau 2C10
 Seat, Seat Belt & Support Parts 1G21
 Shaft & Drum Assembly, Clutch 1I 9
 Shaft & Gear Group, Transmission 1I 4
 Shaft, Axle 1A6
 Shaft, Propeller 1G4
 Sheet Metal Group 1H4
 Shroud 2B12
 Slip Yoke 1G4
 Sound Kit 2C14
 Soundproofing, Cab 2B9
 Soundproofing, Cockpit 2B12
 Spider U-Joint 1G4
 Spill Guard, Bucket Extension 2A9
 Starter Switch 1C12
 Steering Controls 1H8
 Steering Controls, Tiefbau 2C20
 Steering Cylinder Assembly 1C8
 Steering Hydraulic System 1F18
 Steering Pump Assembly 1G10
 Steering Valve Assembly 1J19
 Steering Wheel 1H8
 Step LH 1H6
 Step RH 1H6
 Stop & Tail Light 1C14
 Stop-Light Switch 1C12
 Switch Engine Oil Pressure 1C16
 Switch Engine Temperature 1C14
 Switch, Light 1C12

Switch, Limit 1A24
 Switch, Neutral Start 1C16
 Switch, Pressure 1C14
 Switch, Starter 1C12
 Switch, Stop-Light 1C12

T

Tailpipe 1E23
 Tank, Bottom 1G14
 Tank, Fuel & Lines 1F8
 Tank, Top 1G14
 Temperature Switch, Engine 1C14
 Tiefbau Attachments 2C22
 Tire & Wheel Data 1K4
 Tool Box, Tiefbau 2C22
 Top Tank 1G14
 Trans. Converter Pressure Regulator Valve,
 Charging Pump & Oil Filter Assy. 1I 2
 Transmission – Gear & Shaft Group 1I 4
 Transmission – Hydraulic System 1F19
 Transmission & Converter Assembly 1H14
 Transmission Clutch Group, First & Second 1I 9
 Transmission Clutch Group, Low 1I 10
 Transmission Clutch Group, Reverse & Third 1I 11
 Transmission Control Levers & Linkage 1I 15
 Transmission Control Valve 1I 13
 Transmission Converter Assembly 1H18
 Transmission, Dipstick 1F19

U

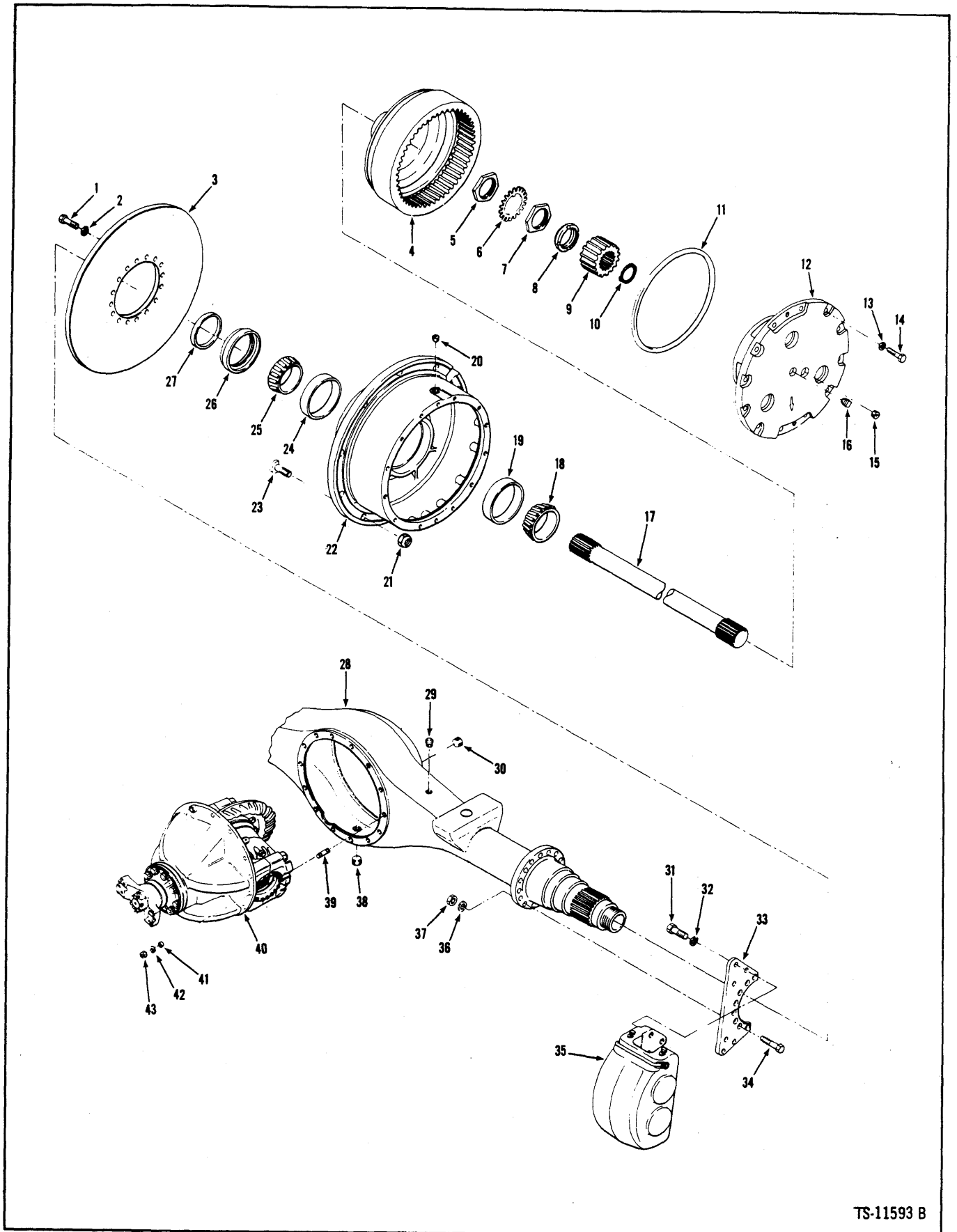
U-Joint, Spider 1G4

V

Valve Assembly, Flow Divider 1J7
 Valve Assembly, Main 1J10
 Valve Assembly, Main (Three Spool) 2D4
 Valve Assembly, Steering 1J19
 Valve Controls, Levers & Linkage (Three Spool) 2D14
 Valve Controls, Levers & Linkage (Two Spool) 1J24
 Valve, Air Brake 1J6
 Valve, Control – Transmission 1I 14
 Valve, Hand Brake 1B4
 Valve, Quick Release 1B4
 Valve, Safety 1B2

W

Warning Light, Brake 1C12
 Wheel & Tire Data 1K4
 Wheel, Steering 1H8
 Windshield Wiper Kit, Front – Tiefbau 2D15
 Windshield Wiper Kit, Rear – Tiefbau 2D18
 Wiring Color Code, Electrical 1D2
 Wiring Harness 1C12
 Wiring, Clips, Pipe & Hose 1B21



TS-11593 B

Axle Assembly, Front
Essieu AV, assembly
Achse vollständig, Vorderradantrieb
Eixo dianteiro, conjunto
Eje delantero, conjunto

CLARK

No.	Part No.	Qty.	Description	Description	Benennung	Descrição	Descripción
A	^{1,4} 191640	1	Axle assy	essieu ensemble	Achse vollst	eixo conjunto	eje conjunto
1	110894	32	Bolt	boulon	Bolzen	parafuso	bulón
2	104412	32	Washer	rondelle	Scheibe	arruela	arandela
3	125435	2	Brake disc	disque frein	Bremsscheibe	disco freio	disco freno
4	123904	2	Gear	engrenage	Zahnrad	engrenagem	engranaje
5	121013	2	Nut	écrou	Mutter	porca	tuerca
6	121014	2	Lock	serrure	Schloss	fechadura	cerradura
7	121013	2	Nut	écrou	Mutter	porca	tuerca
8	121015	2	Sleeve	manchon	Muffe	luva	manguito
9	121804	2	Gear	engrenage	Zahnrad	engrenagem	engranaje
10	224028	2	Ring	anneau	Ring	anel	anillo
11	107348	2	O-ring	joint torique	O Ring	anel-O	anillo-O
12	² 124571	2	Planet carrier assy	port planétaire ens	Planetentraeger voll	sup planet conj	sop planet conj
13	106762	24	Washer	rondelle	Scheibe	arruela	arandela
14	100970	24	Bolt	boulon	Bolzen	parafuso	bulón
15	10F-02	2	Pipe plug	obturateur tuyau	Rohrstopfen	bujão do cano	tapón de caño
16	11F-04	2	Pipe plug	obturateur tuyau	Rohrstopfen	bujão do cano	tapón de caño
17	124260	2	Axle shaft	arbre d'essieu	Achsenwelle	haste eixo	barra eje
18	675261	2	Cone roller brg	cône roulement	Kegel Rollenlager	cone rolamento	cono rodamiento
19	668553	2	Cup roller brg	cuvette roulement	Aussenring Kegellgr	capa rolamento	cubeta rodamiento
20	119469	2	Pipe plug	obturateur tuyau	Rohrstopfen	bujão do cano	tapón de caño
21	103522	24	Nut	écrou	Mutter	porca	tuerca
22	³ 121785	2	Hub assy	moyeu ens	Nabe vollst	cubo conj	cubo conj
23	121808	24	Stud	goujon	Stift	prisioneiro	espárrago
24	672004	2	Cup roller brg	cuvette roulement	Aussenring Kegellgr	capa rolamento	cubeta rodamiento
25	672005	2	Cone roller brg	cône roulement	Kegel Rollenlager	cone rolamento	cono rodamiento
26	⁵ 124325	2	Seal	joint étanchéité	Dichtung	vedador	sello
27	---	---	Omit	omettre	Auslassen	omitir	omitir
28	2105085	1	Housing axle	boitier d'essieu	Gehäuse Achsen	carcaça eixo	carcasa eje
29	106656	1	Breather	reniflard	Entlüfter	respiradouro	respiradero
30	16F-12	1	Pipe plug	obturateur tuyau	Rohrstopfen	bujão do cano	tapón de caño
31	17C-1232	12	Bolt	boulon	Bolzen	parafuso	bulón
32	111656	12	Washer	rondelle	Scheibe	arruela	arandela
33	122559	2	Brake adapter plate	plaque adapt frein	Bremsadapter Platte	placa adapt freio	placa adapt freno
34	18C-1036	16	Bolt	boulon	Bolzen	parafuso	bulón
35	² 127104	1	Brake head assy LH	ens étrier frein CG	Bremskopf vollst L	conj cabeça freio LE	conj cabeza frenc LI
35A	⁺ 2128852	1	Brake head assy RH	ens étrier frein CD	Bremskopf vollst R	conj cabeça freio LD	conj cabeza freno LD
36	104412	16	Washer	rondelle	Scheibe	arruela	arandela
37	106998	16	Nut	écrou	Mutter	porca	tuerca
38	119469	1	Pipe plug	obturateur tuyau	Rohrstopfen	bujão do cano	tapón de caño
39	119270	14	Stud	goujon	Stift	prisioneiro	espárrago
40	² 124884	1	Diff carrier assy	ens chassis-port dif	Träger Diffflagr voll	conj soporte dif	conj soporte dif
41	103216	3	Dowel	goujon	Stift	espiga	espiga
42	112278	14	Washer	rondelle	Scheibe	arruela	arandela
43	64D-07	14	Nut	écrou	Mutter	porca	tuerca

¹(D-17800) Inc. 1 → 20, 22 → 43

²See Index. Voir Table des matières. Siehe Inhaltsverzeichnis. Veja Índice. Véase Índice.

³Inc. 19, 24

⁴For complete replacement use 188211 Axle Assy.

⁴Pour remplacement utiliser 188211 ensemble d'essieu

⁴Zum Auswechseln 188211 Baugruppe benutzen

⁴Para substituição usar 188211 conjunto de eixo

⁴Para recambio usar 188211 conjunto del eje

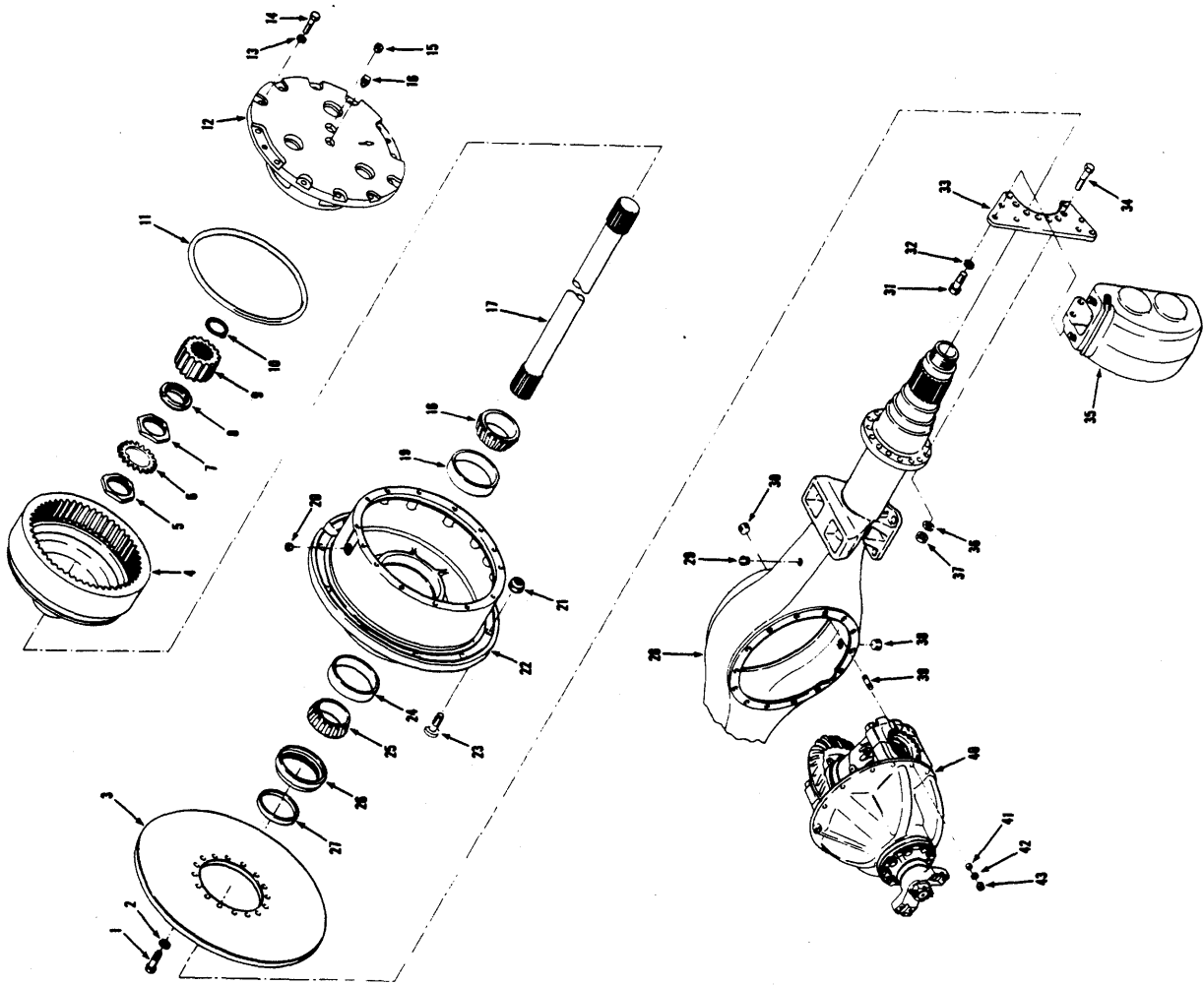
⁵For installation see SG-628

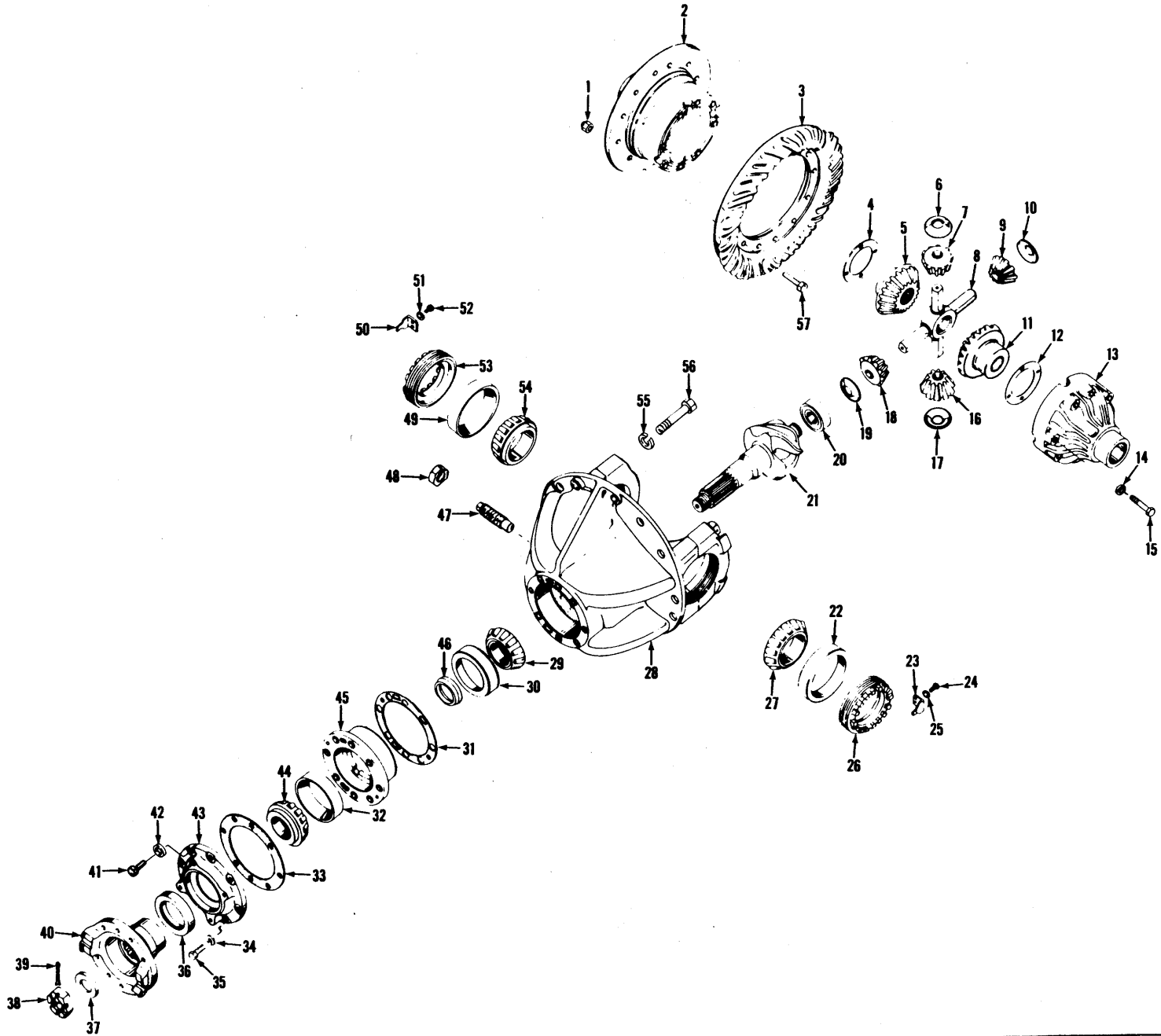
⁵Pour installation voir SG-628

⁵Für Einbau siehe SG-628

⁵Para instalação veja SG-628

⁵Para instalación véase SG-628





A6-1

(1A9)

Printed in U.S.A.
PM 3083

TS-13628

Axle Differential Carrier Assembly, Front Drive
Différentiel d'essieu AV, ensemble porteur
Achsdifferentialträger vollständig, Vorderradantrieb
Diferencial dianteiro, conjunto do suporte
Diferencial delantero, conjunto de soporte

CLARK

No.	Part No.	Qty.	Description	Description	Benennung	Descrição	Descripción
A	² 124884	1	Differential assy	différentiel ens	Differential Vollst	diferencial conj	diferencial conj
1	18D-08	12	Nut	écrou	Mutter	porca	tuerca
2	^{1/2} _____	1	Case	boîtier	Gehäuse	carcaça	carcasa
3	^{1/4} _____	1	Gear	engrenage	Zahnrad	engrenagem	engranaje
4	100173	1	Washer	rondelle	Scheibe	arruela	arandela
5	100170	1	Gear	engrenage	Zahnrad	engrenagem	engranaje
6	100172	1	Washer	rondelle	Scheibe	arruela	arandela
7	^{1/5} _____	1	Gear	engrenage	Zahnrad	engrenagem	engranaje
8	100171	1	Spider	croisillon	Kreuzgelenk	cruzeta	cruceta
9	^{1/5} _____	1	Gear	engrenage	Zahnrad	engrenagem	engranaje
10	100172	1	Washer	rondelle	Scheibe	arruela	arandela
11	100170	1	Gear	engrenage	Zahnrad	engrenagem	engranaje
12	100173	1	Washer	rondelle	Scheibe	arruela	arandela
13	^{1/3} _____	1	Case	boîtier	Gehäuse	carcaça	carcasa
14	106762	12	Washer	rondelle	Scheibe	arruela	arandela
15	17C-856	12	Bolt	boulon	Bolzen	parafuso	bulón
16	^{1/5} _____	1	Gear	engrenage	Zahnrad	engrenagem	engranaje
17	100172	1	Washer	rondelle	Scheibe	arruela	arandela
18	^{1/5} _____	1	Gear	engrenage	Zahnrad	engrenagem	engranaje
19	100172	1	Washer	rondelle	Scheibe	arruela	arandela
20	675536	1	Bearing	palier	Lager	mancal	cojinete
21	^{1/4} _____	1	Pinion	pignon	Ritzel	pinhão	piñon
22	675249	1	Cup roller brg	cuvette roulement	Aussenring Kegellgr	capa rolamento	cúbeta rodamiento
23	126468	1	Lock	serrure	Schloss	fechadura	cerradura
24	1C-614	1	Bolt	boulon	Bolzen	parafuso	bulón
25	4E-06	1	Lockwasher	rondelle frein	Sicherungsscheibe	arruela de pressão	arandela seguridad
26	122765	1	Nut	écrou	Mutter	porca	tuerca
27	675248	1	Cone roller brg	cône roulement	Kegel Rollenlager	cone rolamento	cono rodamiento
28	⁶ 815784	1	Carrier assy	porteur ens	Träger vollst	conj soporte	conj soporte
29	667277	1	Cone roller brg	cône roulement	Kegel Rollenlager	cone rolamento	cono rodamiento
30	667278	1	Cup roller brg	cuvette roulement	Aussenring Kegellgr	capa rolamento	cubeta rodamiento
31	[±] 7112354	—	Shim	cale	Beilage	calço	planchita
31A	[±] ⁸ 125576	—	Shim	cale	Beilage	calço	planchita
31B	[±] ⁹ 125577	—	Shim	cale	Beilage	calço	planchita
32	675257	1	Cup roller brg	cuvette roulement	Aussenring Kegellgr	capa rolamento	cubeta rodamiento

²Inc. 1—57

³See, Voir, Siehe, Veja, Véase 61

⁴See, Voir, Siehe, Veja, Véase 60

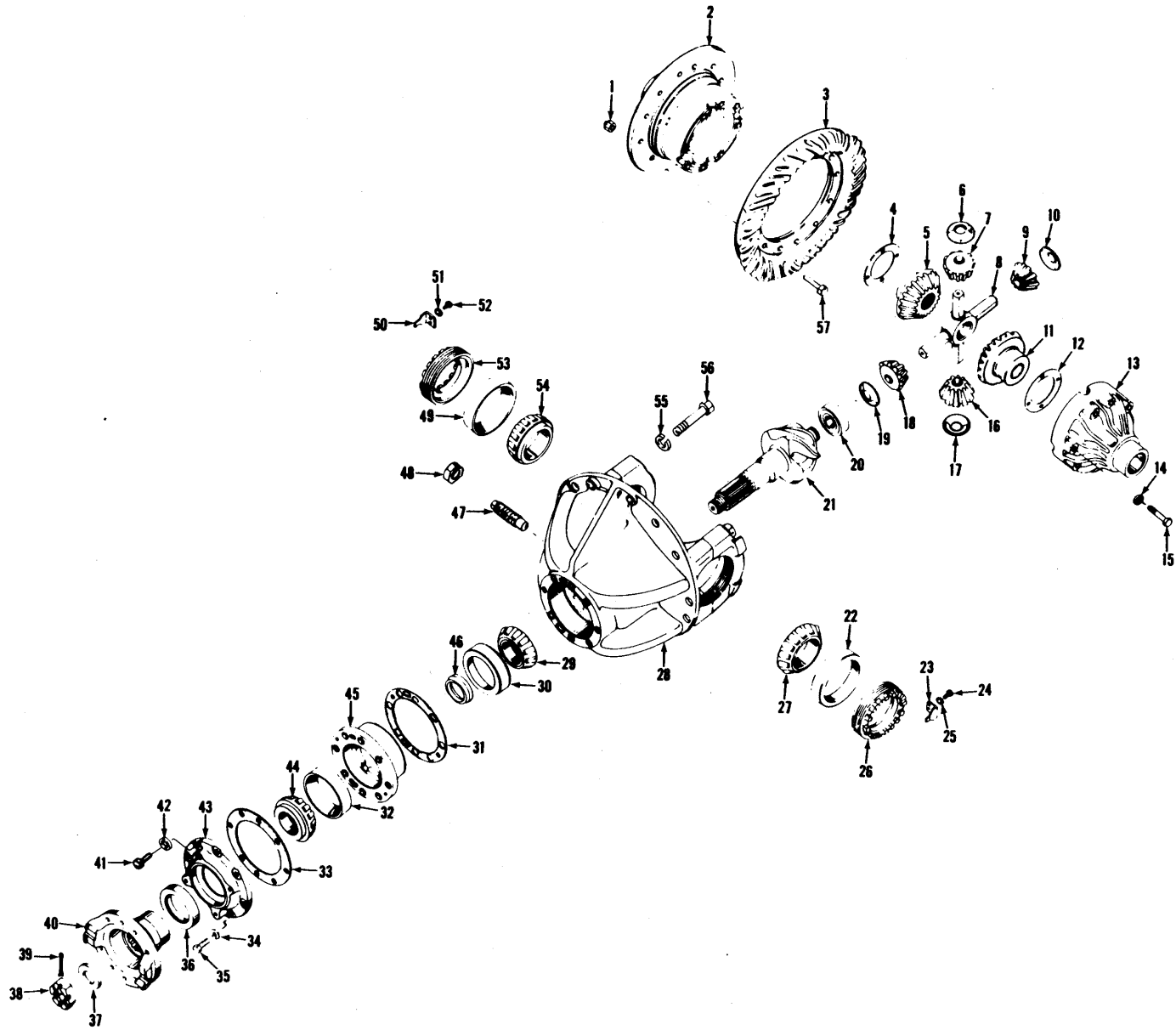
⁵See, Voir, Siehe, Veja, Véase 62

⁶Inc. 55, 56

⁷.004 (0.10 mm)

⁸.007 (0.18 mm)

⁹.010 (0.25 mm)

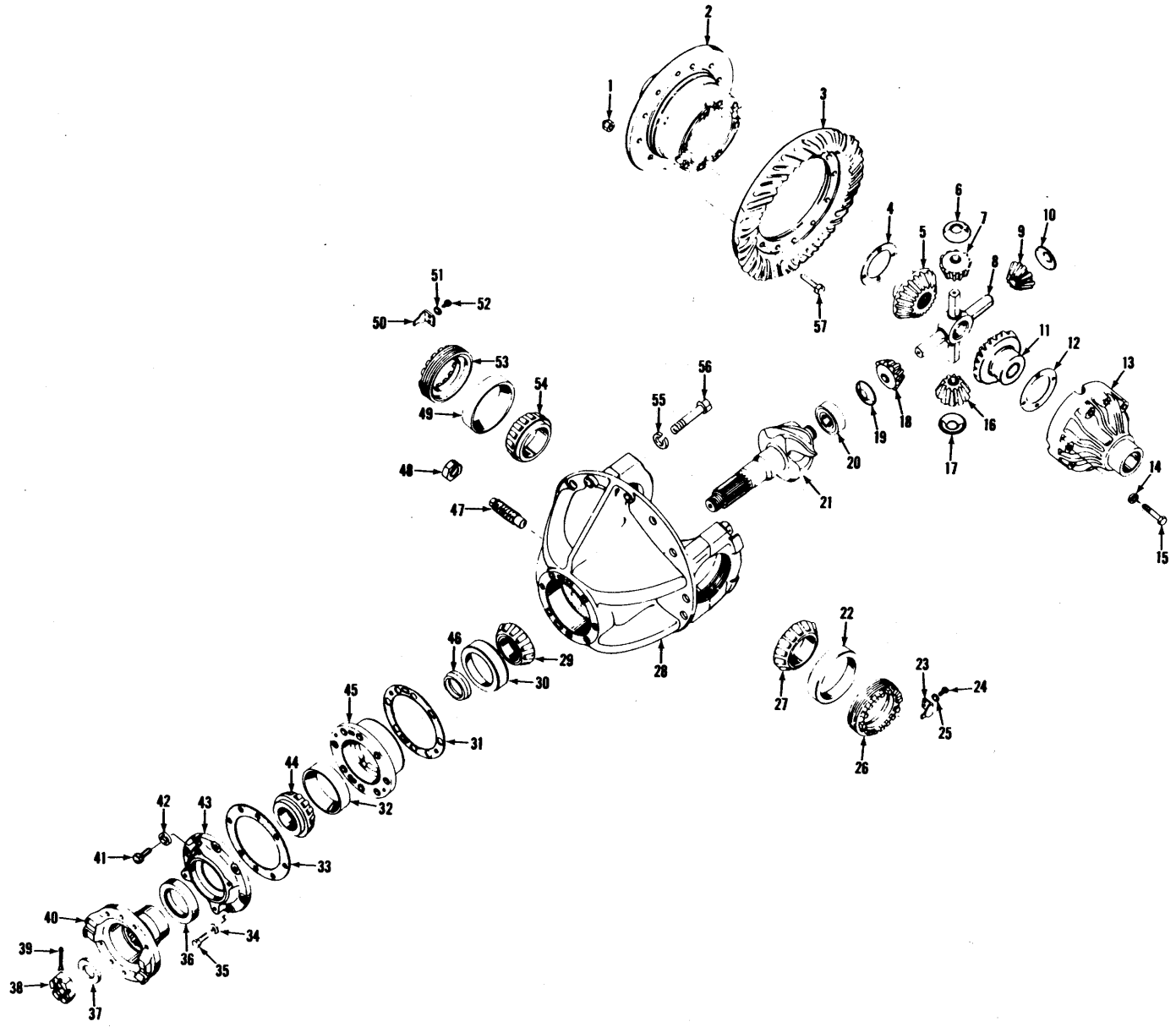


Axle Differential Carrier Assembly, Front Drive
Différentiel d'essieu AV, ensemble porteur
Achsendifferentialträger vollständig, Vorderradantrieb
Diferencial dianteiro, conjunto do suporte
Diferencial delantero, conjunto de soporte

CLARK

No.	Part No.	Qty.	Description	Description	Benennung	Descrição	Descripción
33	112353	1	Gasket	garniture	Dichtung	gaxeta	empaquetadura
34	4E-08	1	Lockwasher	rondelle frein	Sicherungsscheibe	arruela de pressão	arandela seguridad
35	17C-828	1	Bolt	boulon	Bolzen	parafuso	bulon
36	111720	1	Seal	joint étanchéité	Dichtung	vedador	sello
37	119298	1	Washer	rondelle	Scheibe	arruela	arandela
38	100950	1	Nut	écrou	Mutter	porca	tuerca
39	1F-428	1	Pin cotter	goupille fendue	Splint	contrapino	chaveta dos patas
40	106081	1	Flange	bride	Flansch	flange	brida
41	17C-928	5	Bolt	boulon	Bolzen	parafuso	bulon
42	4E-09	5	Lockwasher	rondelle frein	Sicherungsscheibe	arruela de pressão	arandela seguridad
43	112352	1	Retainer	arrêtoir	Halterung	retentor	retén
44	710288	1	Cone roller brg	cône roulement	Kegel Rollenlager	cone rolamento	cono rodamiento
45	¹⁰ 124041	1	Cage	cage	Käfig	grade	jaula
46	124040	1	Spacer	entretoise	Distanzteil	espaçador	espaciador
47	123800	1	Screw	vis	Schraube	parafuso	tornillo
48	8D-14	1	Nut	écrou	Mutter	porca	tuerca
49	675249	1	Cup roller brg	cuvette roulement	Aussenring Kegellgr	capa rolamento	cubeta rodamiento
50	126468	1	Lock	serrure	Schloss	fechadura	cerradura
51	4E-06	1	Lockwasher	rondelle frein	Sicherungsscheibe	arruela de pressão	arandela seguridad
52	1C-614	1	Bolt	boulon	Bolzen	parafuso	bulón
53	122765	1	Nut	écrou	Mutter	porca	tuerca
54	675248	1	Cone roller brg	cône roulement	Kegel Rollenlager	cone rolamento	cono rodamiento
55	26E-12	4	Lockwasher	rondelle frein	Sicherungsscheibe	arruela de pressão	arandela seguridad
56	123830	4	Bolt	boulon	Bolzen	parafuso	bulón
57	100176	12	Bolt	boulon	Bolzen	parafuso	bulón
58	+ ¹¹ 124179	1	Differential assy	différentiel ens	Differential Vollst	diferencial conj	diferencial conj
59	+ ¹² 124444	1	Body assy	ens carrosserie	Karosserie vollst	conj carroçaria	conj carroceria
60	+ ¹³ 118150	1	Gear set	engrenage jeu	Zahnrad Satz	engrenagem jôgo	engranje juego
61	+ ¹⁴ 126894	1	Case kit	trousse boîtier	Gehäusesatz	carcaça jogo	carcasa jgo
62	+ ¹⁵ 815745	1	Pinion kit	pignons jeu	Ritzelsatz	pinhão jôgo	piñon juego

¹⁰inc. 32
¹¹inc. 1 → 19, 21, 57
¹²inc. 2, 4 → 19
¹³inc. 3, 21
¹⁴inc. 2, 13 → 15
¹⁵inc. 7, 9, 16, 18

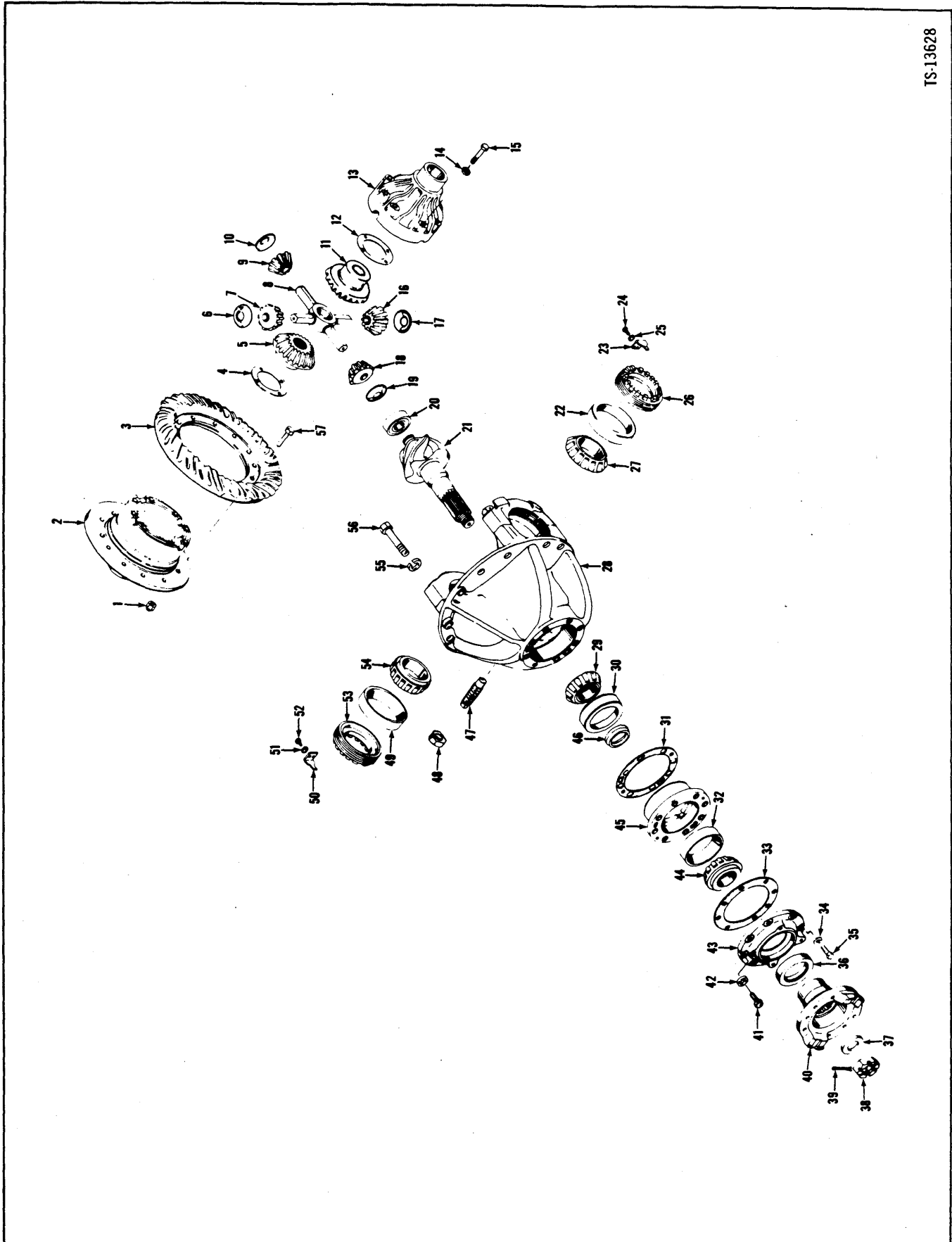


A10-1

(1A13)

Printed in U.S.A.
PM 3083

TS-13628



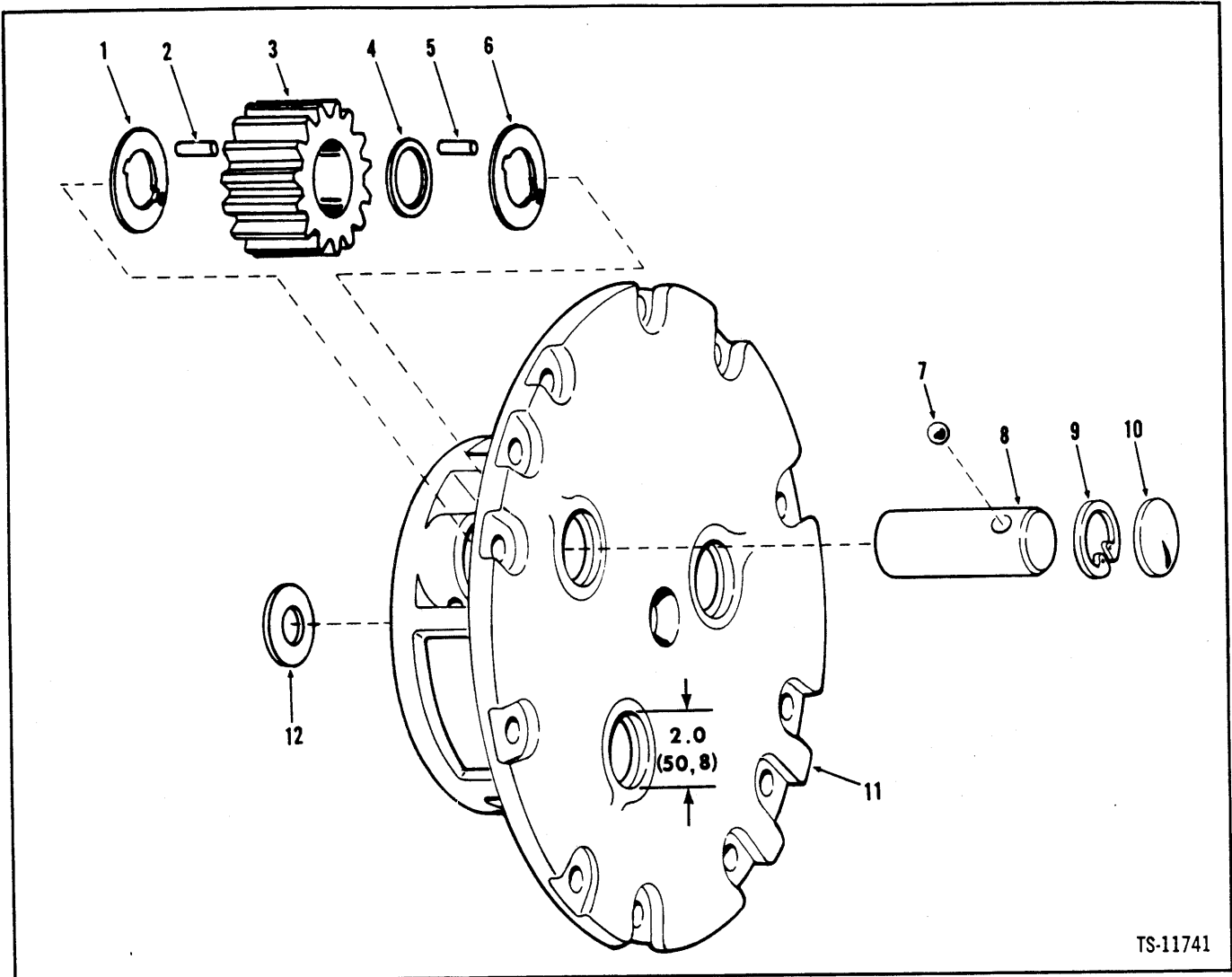
Axle Differential Carrier Assembly, Rear Drive
Différentiel d'essieu AR, ensemble porteur
Achsdifferentialträger, vollständig Hinterradantrieb
Diferencial traseiro, conjunto do suporte
Diferencial trasero, conjunto de soporte

CLARK

No.	Part No.	Qty.	Description	Description	Benennung	Descrição	Descripción
33	112353	1	Gasket	garniture	Dichtung	gaxeta	empaquetadura
34	4E-08	1	Lockwasher	rondelle frein	Sicherungsscheibe	arruela de pressão	arandela seguridad
35	17C-828	1	Bolt	boulon	Bolzen	parafuso	bulón
36	111720	1	Seal	joint étanchéité	Dichtung	vedador	sello
37	119298	1	Washer	rondelle	Scheibe	arruela	arandela
38	100950	1	Nut	écrou	Mutter	porca	tuerca
39	1F-428	1	Pin cotter	goupille fendue	Splint	contrapino	chaveta dos patas
40	106081	1	Flange	bride	Flansch	flange	brida
41	17C-928	5	Bolt	boulon	Bolzen	parafuso	bulón
42	4E-09	5	Lockwasher	rondelle frein	Sicherungsscheibe	arruela de pressão	arandela seguridad
43	112352	1	Retainer	arrêtoir	Halterung	retentor	retén
44	710288	1	Cone roller brg	cône roulement	Kegel Rollenlager	cone rolamento	cono rodamiento
45	¹⁰ 124041	1	Cage	cage	Käfig	grade	jaula
46	124040	1	Spacer	entretoise	Distanzteil	espaçador	espaciador
47	123800	1	Screw	vis	Schraube	parafuso	tornillo
48	8D-14	1	Nut	écrou	Mutter	porca	tuerca
49	675249	1	Cup roller brg	cuvette roulement	Aussenring Kegelig	capa rolamento	cubeta rodamiento
50	126468	1	Lock	serrure	Schloss	fechadura	cerradura
51	4E-06	1	Lockwasher	rondelle frein	Sicherungsscheibe	arruela de pressão	arandela seguridad
52	1C-614	1	Bolt	boulon	Bolzen	parafuso	bulón
53	122765	1	Nut	écrou	Mutter	porca	tuerca
54	675248	1	Cone roller brg	cône roulement	Kegel Rollenlager	cone rolamento	cono rodamiento
55	26E-12	4	Lockwasher	rondelle frein	Sicherungsscheibe	arruela de pressão	arandela seguridad
56	123830	4	Bolt	boulon	Bolzen	parafuso	bulón
57	100176	12	Bolt	boulon	Bolzen	parafuso	bulón
58	+ ¹¹ 124870	1	Differential assy	différentiel ens	Differential Vollst	diferencial conj	diferencial conj
59	+ ¹² 124444	1	Body assy	ens carrosserie	Karosserie vollst	conj carroçaria	conj carroceria
60	+ ¹³ 110127	1	Gear set	engrenage jeu	Zahnrad Satz	engrenagem jôgo	engranje juego
61	+ ¹⁴ 126894	1	Case kit	trousse boîtier	Gehäusesatz	carcaça jôgo	carcasa jgo
62	+ ¹⁵ 815745	1	Pinion kit	pignons jeu	Ritzelsatz	pinhão jôgo	piñon juego

¹⁰Inc. 32
¹¹Inc. 1 → 19, 21, 57
¹²Inc. 2, 4 → 19
¹³Inc. 3, 21
¹⁴Inc. 2, 13 → 15
¹⁵Inc. 7, 9, 16, 18

Axle Planet Carrier Assembly, Front & Rear
Planétaire d'essieu AV & AR, ensemble porteur
Planetenträger vollständig, Vorderrad- Hinterradantrieb
Planetária dos eixos dianteiro e traseiro, conjunto do suporte
Planetarios de los ejes delantero y trasero, conjunto de soporte



TS-11741

No.	Part No.	Qty.	Description	Description	Benennung	Descrição	Descripción
A	¹ 124571	4	Carrier assy	porteur ens	Träger vollst	conj suporte	conj soporte
1	124574	3	Washer	rondelle	Scheibe	arruela	arandela
2	124576	87	Roller	galet	Rolle	rolete	rodillo
3	124573	3	Gear	engrenage	Zahnrad	engrenagem	engranaje
4	124577	3	Spacer	entretoise	Distanzteil	espaçador	espaciador
5	124576	87	Roller	galet	Rolle	rolete	rodillo
6	124574	3	Washer	rondelle	Scheibe	arruela	arandela
7	10J-12	3	Ball	bille	Kugel	esfera	bola
8	124575	3	Gear shaft	axe pignon	Zahnradwelle	eixo engrenagem	eje engranaje
9	672907	3	Ring snap	bague arrêt	Sprengring	anel pressão	arandela retén
10	12F-200	3	Plug	bouchon	Stopfen	bujão	tapón
11	124572	1	Carrier	porteur	Träger	suporte	soporte
12	121166	1	Washer	rondelle	Scheibe	arruela	arandela

¹Inc. 1→12

²Four (4) carriers used on machine. Quantities listed are for one (1) carrier.

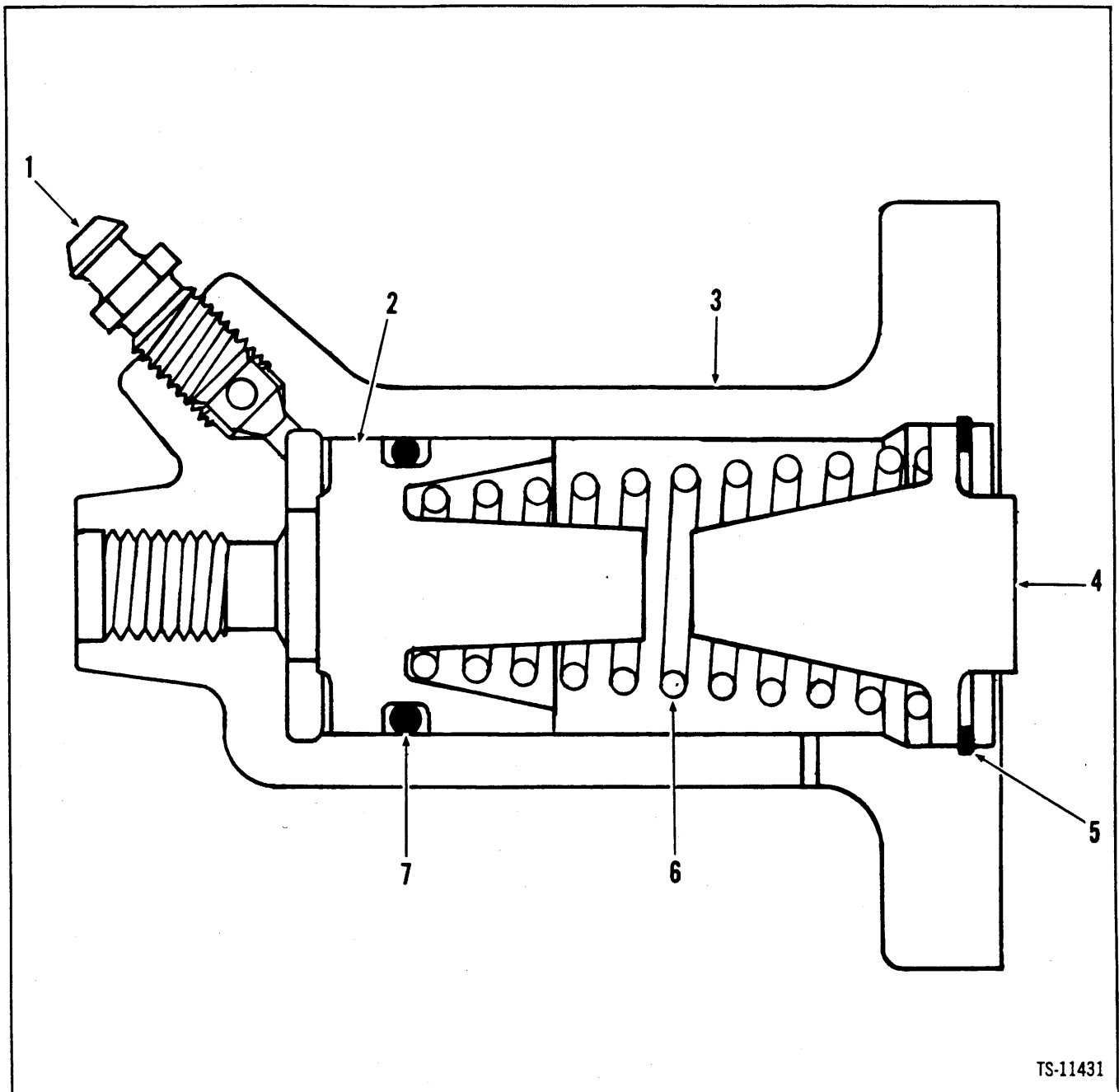
²Quatre (4) porteurs sont employés sur la machine. Les quantités indiqués s'appliquen à un (1) porteur.

²Vier (4) Trägen werden im Maschine verwendet. Die angegebenen Mengen sind für eine (1) Träger.

²Quatro (4) suportes são usados na máquina. As quantidades relacionadas são para um (1) suporte.

²Cuatro (4) soportes son empleados en la maquina. Las cantidades indicadas son para un (1) soporte.

Brake Compensator Cylinder Assembly
Ensemble de cylindre compensateur à frein
Bremse Kompensatorzylinder vollständig
Conjunto de cilindro compensador de freio
Conjunto de cilindro compensador de freno



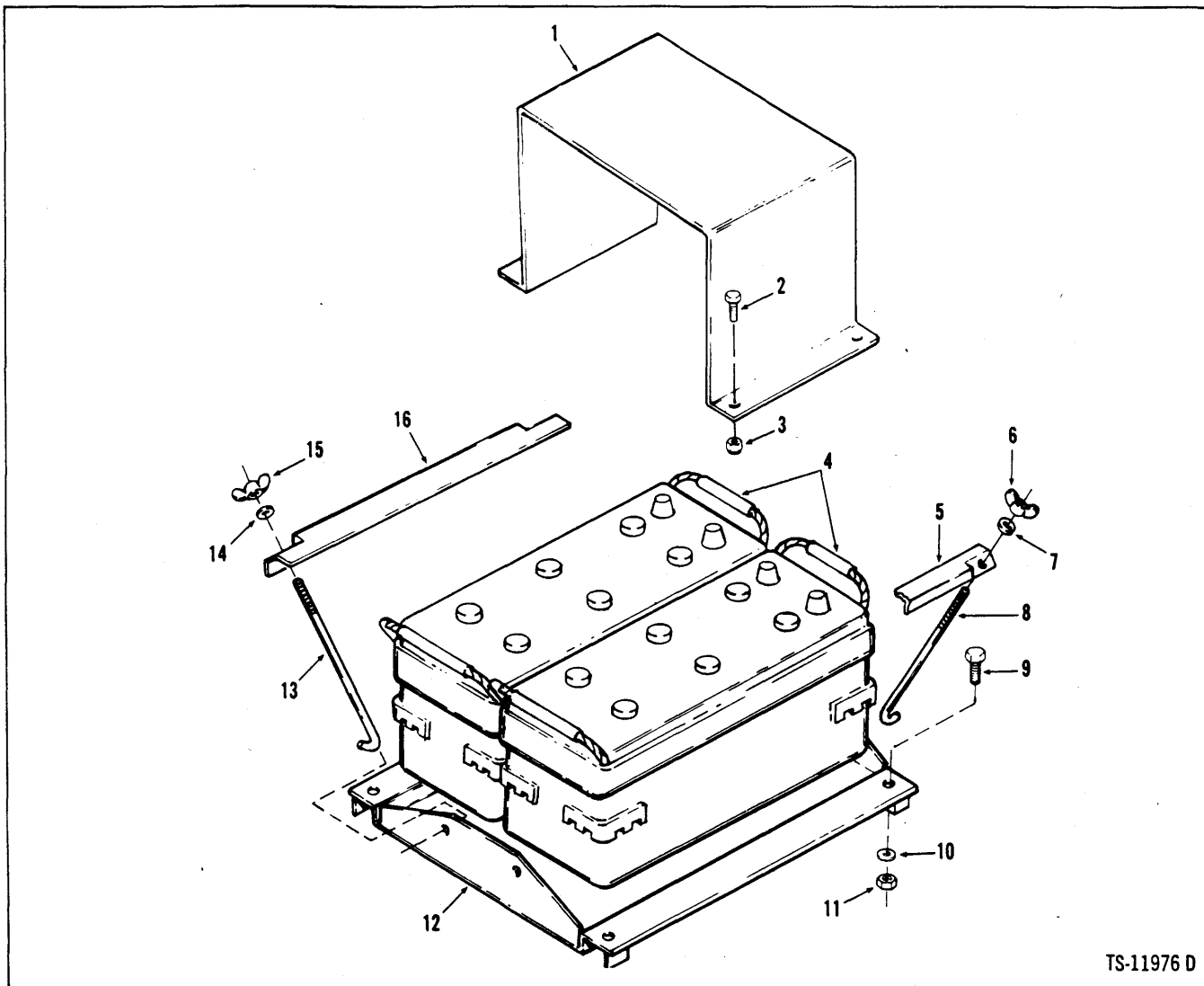
TS-11431

No.	Part No.	Qty.	Description	Description	Benennung	Descrição	Descripción
A	2501983	1	Cylinder assembly	ens cylindre	Zylinder vollst	cilindro conj	cilindro conj
1	851806	1	Bleed screw	vis de fuite	Lüftungsschraube	parafuso sangria	tornillo purga
2	960520	1	Piston	piston	Kolben	pistão	pistón
3	³ _____	1	Housing	boîtier	Gehäuse	carcaça	carcasa
4	³ _____	1	Plug	bouchon	Stopfen	bujão	tapón
5	1310605	1	Ring retainer	arrêteur de bague	Halte-Ring	anel retentor	retenedor del anillo
6	898702	1	Spring	ressort	Feder	mola	resorte
7	961026	1	O-ring	joint torique	O Ring	anel-O	anillo-O

²Incl. 1→7

³See, Voir, Siehe, Veja, Véase A

Battery & Battery Mount
Batterie & fixation de batterie
Batterie & Batteriehalterung
Bateria & montagem da bateria
Bateria & montaje de batería



TS-11976 D

No.	Part No.	Qty.	Description	Description	Benennung	Descrição	Descripción
1	3981171	1	Battery cover	couvercle batterie	Batteriedeckel	capa da bateria	cubierta batería
2	24C-616	2	Bolt	boulon	Bolzen	parafuso	bulón
3	18D-06	2	Nut	écrou	Mutter	porca	tuerca
4	² 1310121	2	Battery	batterie	Batterie	bateria	batería
4A	+3570269	2	Battery	batterie	Batterie	bateria	batería
4B	+3216319	2	Battery	batterie	Batterie	bateria	batería
5	3980896	1	Battery hold down	fixation batterie	Batteriehalterung	fixador bateria	sujetador batería
6	16D-05	2	Wing nut	écrou papillon	Flügelmutter	porca barboleta	tuerca mariposa
7	25E-15	2	Washer	rondelle	Scheibe	arruela	arandela
8	3980897	2	Stud	goujon	Stift	prisioneiro	espárrago
9	24C-636	4	Bolt	boulon	Bolzen	parafuso	bulón
10	619021	4	Washer	rondelle	Scheibe	arruela	arandela
11	18D-06	4	Nut	écrou	Mutter	porca	tuerca
12	3980891	1	Base	base	Untergestell	base	base
13	3980897	2	Stud	goujon	Stift	prisioneiro	espárrago
14	25E-15	2	Washer	rondelle	Scheibe	arruela	arandela
15	16D-05	2	Wing nut	écrou papillon	Flügelmutter	porca barboleta	tuerca mariposa
16	3980896	1	Battery hold down	fixation batterie	Batteriehalterung	fixador bateria	sujetador batería

²Optional, option, zusätzlich, opcional, a elección