

VIN PLATE DECODING INFORMATION

1	2	3	4	5	6	7	8	9	10	11	12 thru 17
Country	Make	Vehicle Type	Other	Line	Series	Body Style	Engine	Check Digit	Model Year	Assy. Plant	Sequence No.

The following table interprets the VIN Plate position shown above.

Position	Interpretation	Codes = Description
1	Country of Origin	2 = Built by DaimlerChrysler Canada
2	Assembler	C = Chrysler
3	Vehicle Type	4 = Multipurpose Passenger Vehicle
4	GVWR & Pass. Safety	E = 3001 - 4000 lbs F = 4001 - 5000 lbs G = 5001-6000lbs (2269-2721KGS) H = 6001 - 7000 lbs J = 7001 - 8000 lbs K = 8001 - 9000 lbs L = 9001 - 10000 lbs
5	Vehicle Line	F = Pacifica (AWD) M = Pacifica (FWD)
6	Series	4 = Pacifica (AWD) (U.S., Canada, Mexico, BUX) 4 = Pacifica (FWD) (U.S., Canada, Mexico, BUX) 6 = Pacifica Touring (AWD) (U.S., Canada, Mexico, BUX) 6 = Pacifica Touring (FWD) (U.S., Canada, Mexico, BUX) 6 = Pacifica Signature Series (AWD)(FWD) (U.S.) 7 = Pacifica Limited,(AWD) (U.S., Canada, Mexico, BUX) 7 = Pacifica Limited (FWD) (U.S.)
7	Body Style	8 = 4 Door Sport Utility (Pacifica (CS)-Body Style 74)
8	Engine	L = 3.8L V6 CYL Gasoline OHV (EGH) X = 4.0L V6 CYL SOHC Gasoline (EGQ)
9	Check Digit	0 = Check Digit
10	Model Year	8 = 2008 Model Year
11	Assembly Plant	R = Windsor Assembly
12 thru 17	Vehicle Build Sequence	Model Year Assembly Sequence

Group - 1

MoPar Accessories

Group - 1 MoPar Accessories

Illustration Title

Group-Fig. No.

Audio and Electronics

Media System	Fig. 1 - 110
Install Kit - Satellite Receiver	Fig. 1 - 114
Camera -Back Up	Fig. 1 - 118
Receiver Kit - Satellite	Fig. 1 - 120
iPod	Fig. 1 - 122

Carriers and Cargo Hauling

Carrier Kit - Hitch	Fig. 1 - 204
Carrier Kit - Water Sports	Fig. 1 - 210
Carrier Kit - Canoe	Fig. 1 - 212
Carrier Kit -Bike-Fork Mount	Fig. 1 - 214
Carrier Kit -Bike-Upright Mount	Fig. 1 - 216
Carrier Kit - Ski	Fig. 1 - 220
Rack Kit - Multipurpose	Fig. 1 - 230
Carrier Kit -Luggage-Soft	Fig. 1 - 252

Driver Convenience

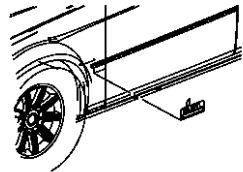
Remote Start	Fig. 1 - 304
Hands Free Kit - Cellular Phone	Fig. 1 - 310
Sensor Kit- Park/Distance	Fig. 1 - 320

Exterior Appearance

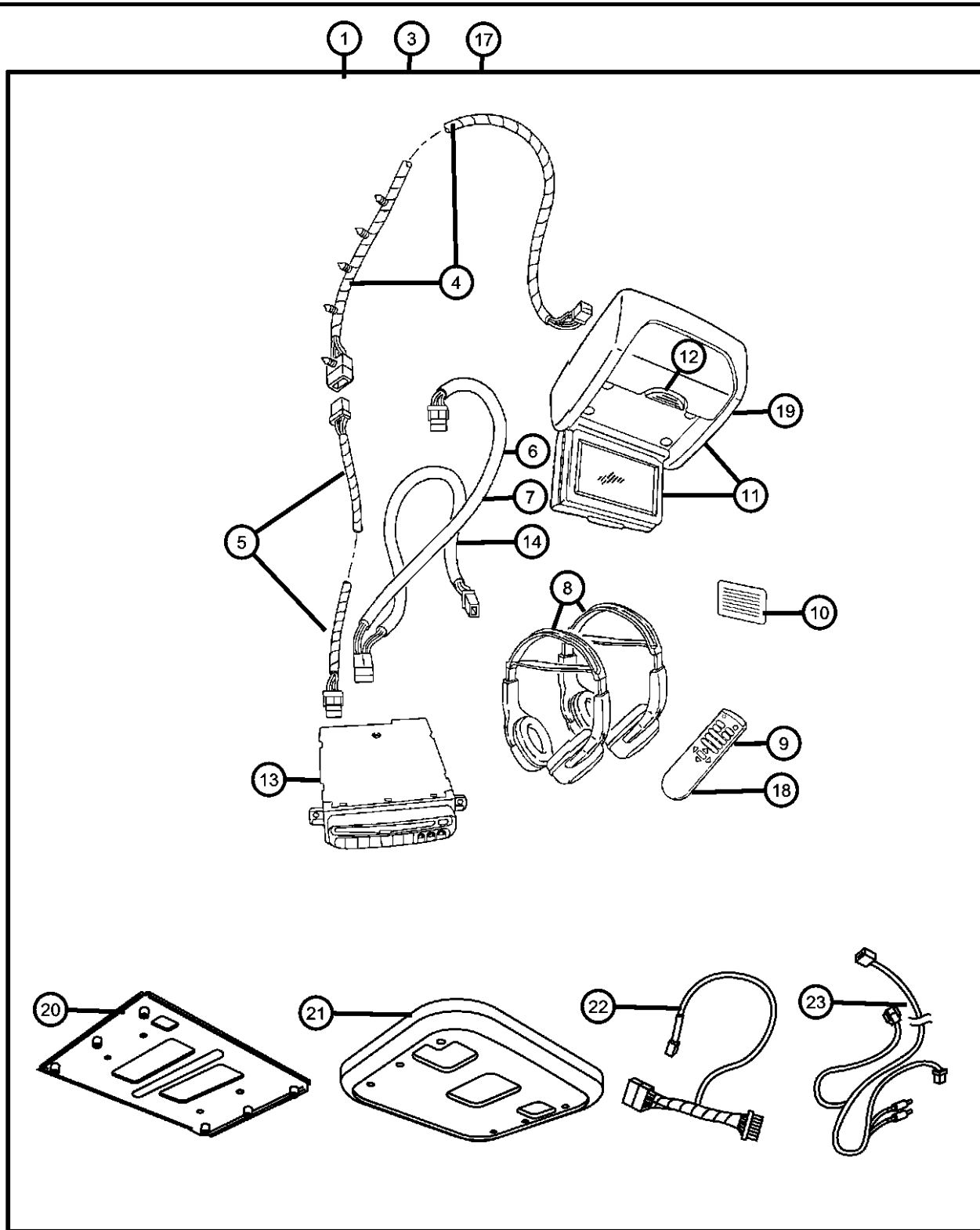
Wheel Kit	Fig. 1 - 448
-----------------	--------------

Fog Lights and Electrical

Heater Kit - Engine Block	Fig. 1 - 602
Light Kit - Fog	Fig. 1 - 604

001-100 Audio and Electronics	001-200 Carriers and Cargo Hauling	001-300 Driver Convenience 	001-400 Exterior Appearance
001-600 Fog Lights and Electrical			

Media System
Figure 1-110



ITEM	PART NUMBER	QTY	LINE	SERIES	BODY	ENGINE	TRANS	TRIM	DESCRIPTION
1	82210368	1							MEDIA SYSTEM, Monitor w/o DVD, 8 Inch
-2	04685951AE	1							BRACKET ASSY, REAR SEAT VIDEO
3	82210367	1							MEDIA SYSTEM, Monitor With DVD, 8 Inch
4	04868754AA	1							WIRING, DVD to Screen
5	04868763AA	1							WIRING, DVD Jumper
6	04868763AA	1							WIRING, DVD Jumper
7	04685999AC	1							WIRING, Compact Disc Changer
8	05064037AA	1							HEADPHONES, Wireless
9	05094043AB	1							REMOTE, Wireless Infrared
10	05020533AA	1							LABEL, Mercury Warning
11	1BZ59DW1AC	1	C, Y		74				HOUSING, Monitor
12	05135244AA	1							LATCH KIT, Video Screen
13	05094031AD	1							DVD CHANGER
14	05140600AA	1							WIRING, DVD Power
-15	05096086AA	1							HARDWARE KIT, MultiMedia System
-16	05096052AA	1							WIRING, DVD to Auxiliary Jack
17	82210114	1			74				MEDIA SYSTEM, Monitor With DVD, 10 Inch
18	68024459AA	1							REMOTE, Wireless Infrared
19	68022580AA	1							RADIO, AM/FM CD/DVD
20	68022582AA	1							BRACKET, Mounting
21	68022581AA	1							SHROUD, SHROUD
22	05166871AA	1							HARNESS, Wiring
23	68026724AA	1							HARNESS, Wiring

PACIFICA (CS)

SERIES LINE
H = HIGHLINE C = CHRYSLER
S = SPORT Y = CHRYSLER
X = SPECIAL

BODY
74 = SPORT UTILITY 4-DR
TYPE #4

ENGINE
EGQ = 4.0L V6 SOHC Engine
EGH = 3.8L V6 OHV Engine

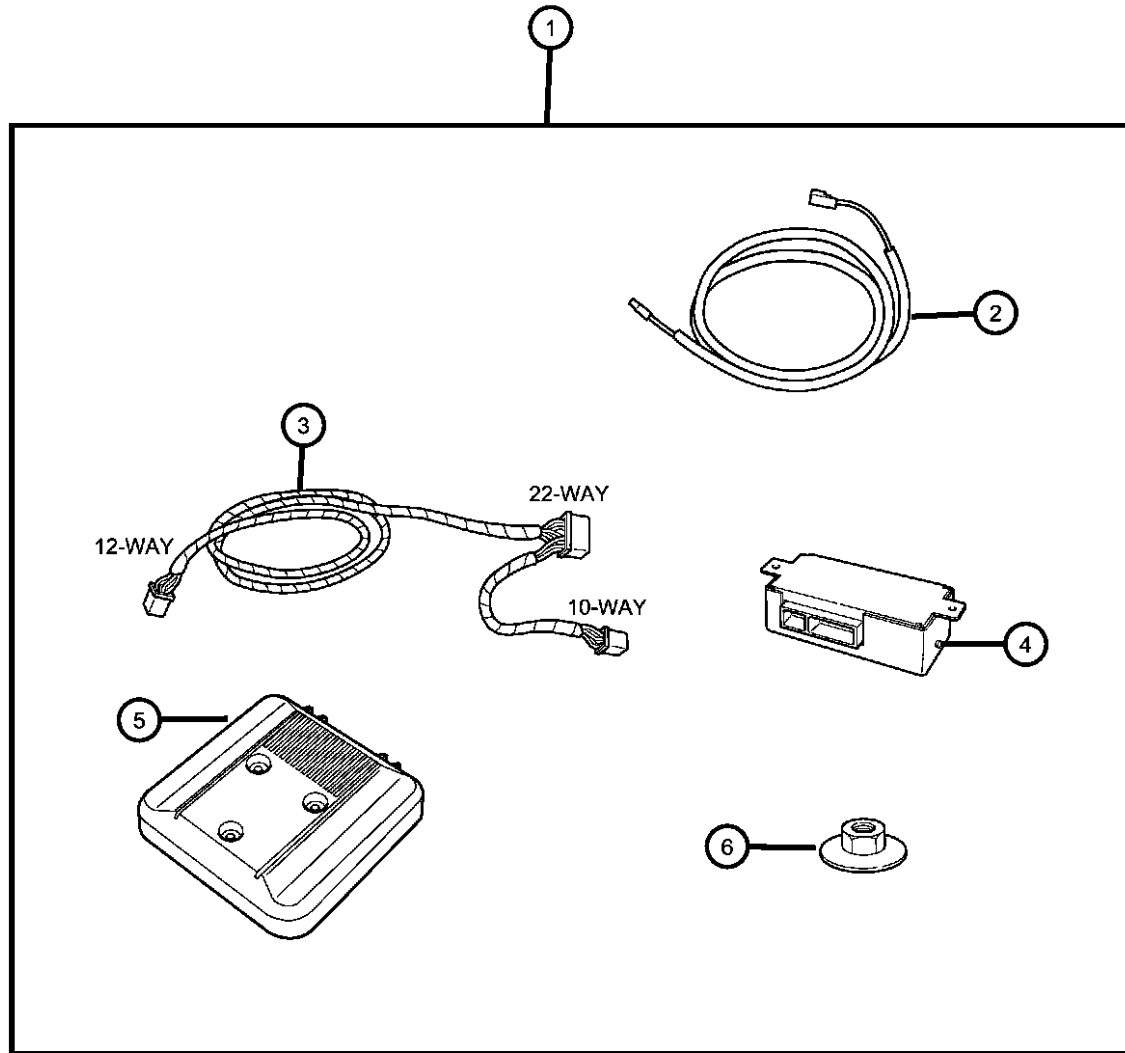
TRANSMISSION
DG2 = 6-Speed Automatic 62TE
Transmission
DFF = 4-Speed Automatic VLP 41TE
Trans

AR = use ase required - = Non illustrated part

2008 CS

**Install Kit - Satellite Receiver
Figure 1-114**

ITEM	PART NUMBER	QTY	LINE	SERIES	BODY	ENGINE	TRANS	TRIM	DESCRIPTION
1	82210297AB	1							INSTALL KIT, Satelite Receiver
2	05191048AA	1							CABLE, Antenna
3	05086643AA	1							WIRING, Rcvr to Radio
4	05059112AD	1							MODULE, Radio Control
5	56040997AA	1	C, Y		74				COVER, Radio
6	06100046	3	C, Y		74				NUT AND WASHER, Hex, M5x.80

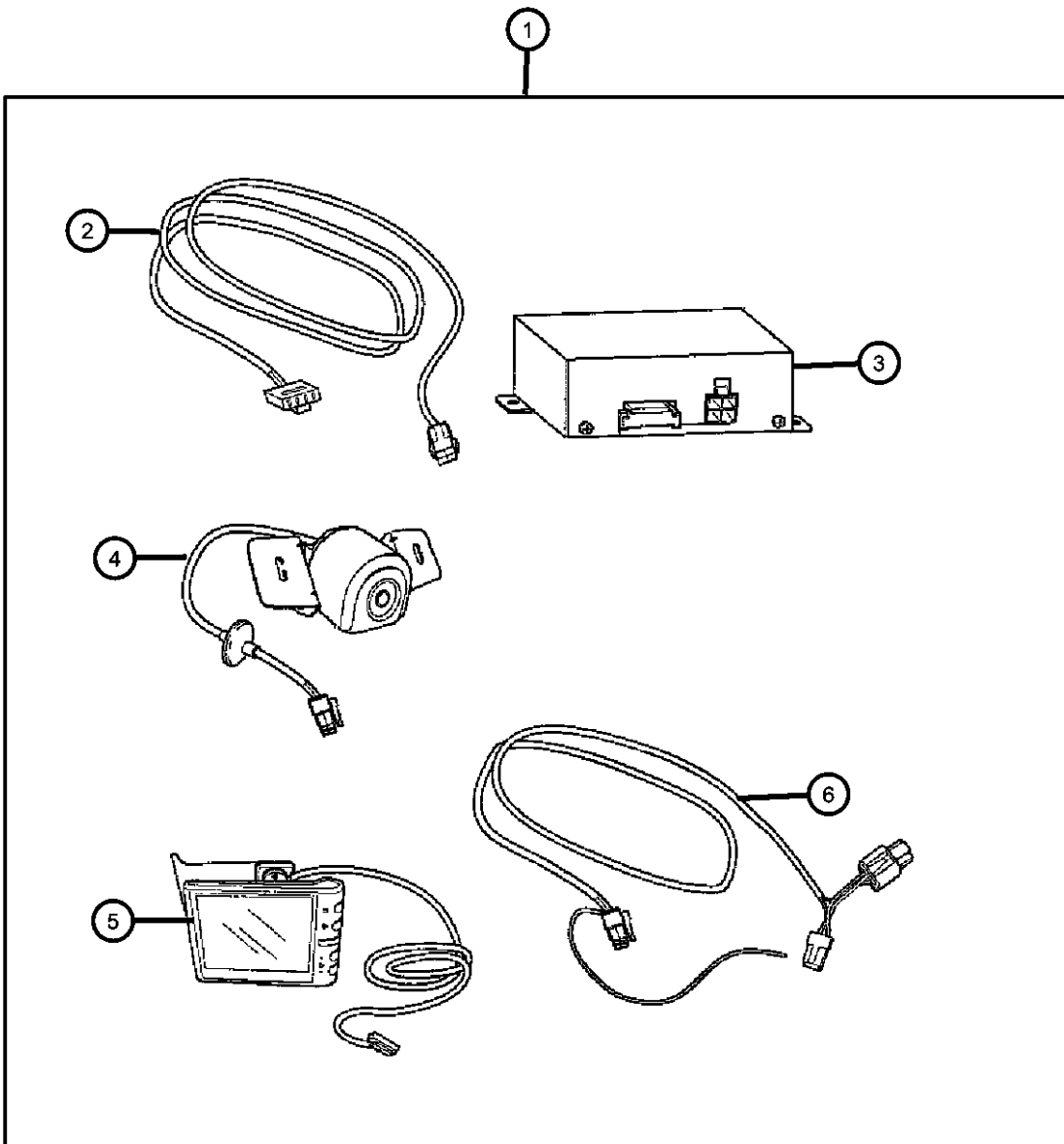


PACIFICA (CS)

SERIES	LINE	BODY	ENGINE	TRANSMISSION
H = HIGHLINE	C = CHRYSLER	74 = SPORT UTILITY 4-DR	EGQ = 4.0L V6 SOHC Engine	DG2 = 6-Speed Automatic 62TE
S = SPORT	Y = CHRYSLER	TYPE #4	EGH = 3.8L V6 OHV Engine	Transmission
X = SPECIAL				DFF = 4-Speed Automatic VLP 41TE Trans

AR = use ase required - = Non illustrated part

Camera -Back Up
Figure 1-118



ITEM	PART NUMBER	QTY	LINE	SERIES	BODY	ENGINE	TRANS	TRIM	DESCRIPTION
1	82209796	1							CAMERA KIT, Back Up
2	05191904AA	1							HARNESS, Wiring
3	05191903AA	1							CONTROL MODULE, Receiver
4	05191906AA	1							CAMERA
5	05191907AA	1							MONITOR, Back Up Camera
6	05191905AA	1							HARNESS, Wiring

PACIFICA (CS)

SERIES

H = HIGHLINE
S = SPORT
X = SPECIAL

LINE

C = CHRYSLER
Y = CHRYSLER

BODY

74 = SPORT UTILITY 4-DR
TYPE #4

ENGINE

EGQ = 4.0L V6 SOHC Engine
EGH = 3.8L V6 OHV Engine

TRANSMISSION

DG2 = 6-Speed Automatic 62TE
Transmission
DFF = 4-Speed Automatic VLP 41TE
Trans

AR = use ase required - = Non illustrated part

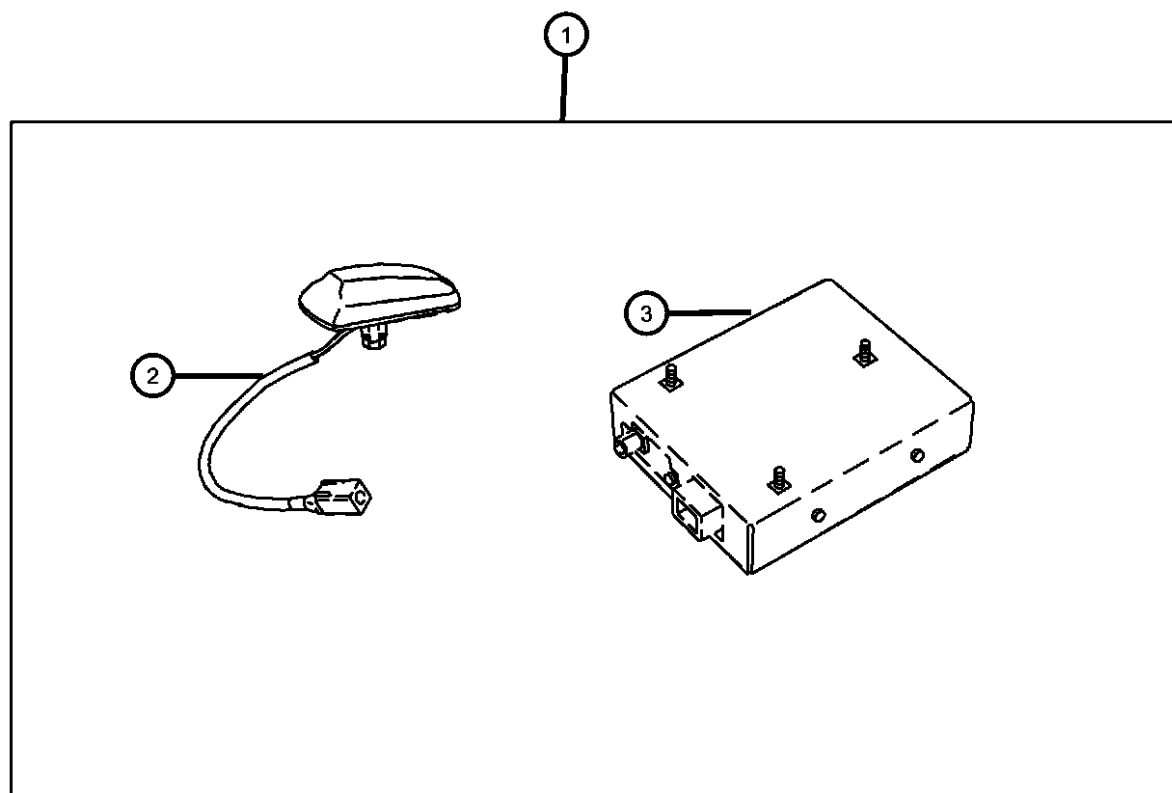
2008 CS

Receiver Kit - Satellite
Figure 1-120

ITEM	PART NUMBER	QTY	LINE	SERIES	BODY	ENGINE	TRANS	TRIM	DESCRIPTION
------	-------------	-----	------	--------	------	--------	-------	------	-------------

Note: For Warranty Repair On Item 3, Order Using Z Prefix

1	82209764AD	1							RECEIVER, Satelite
2	05150048AB	1							ANTENNA, Satelite
3	68015146AE	1							RECEIVER, Satelite



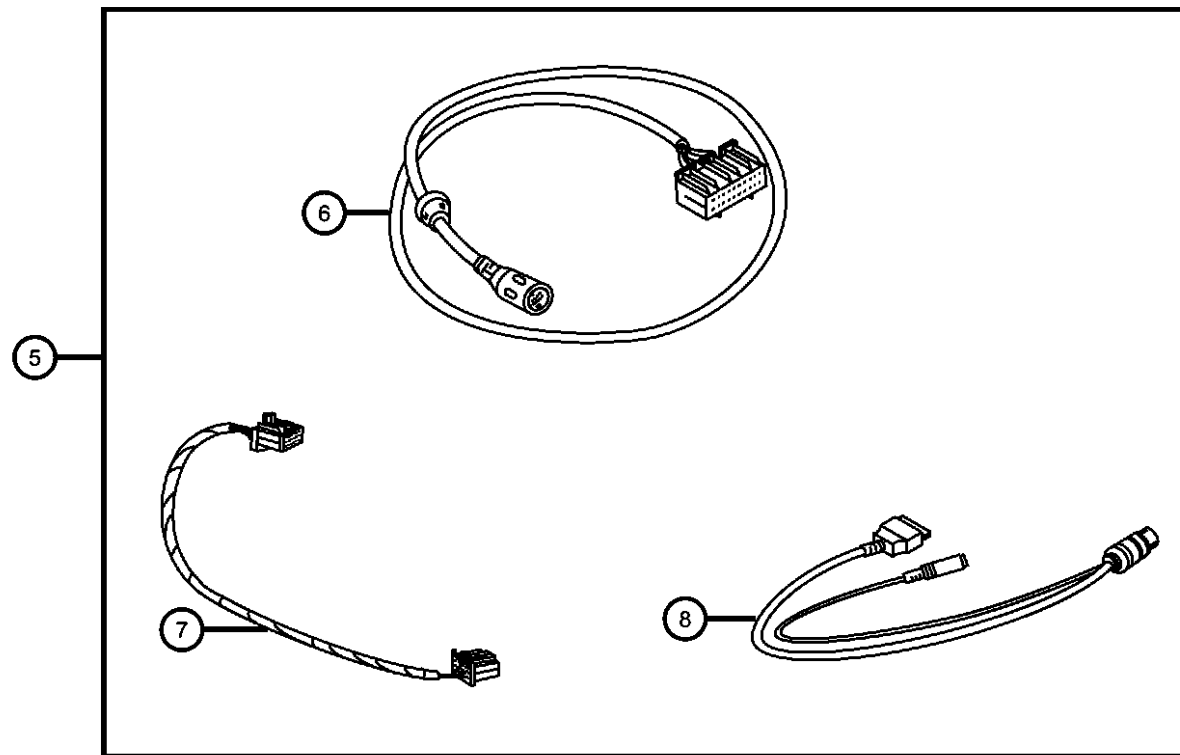
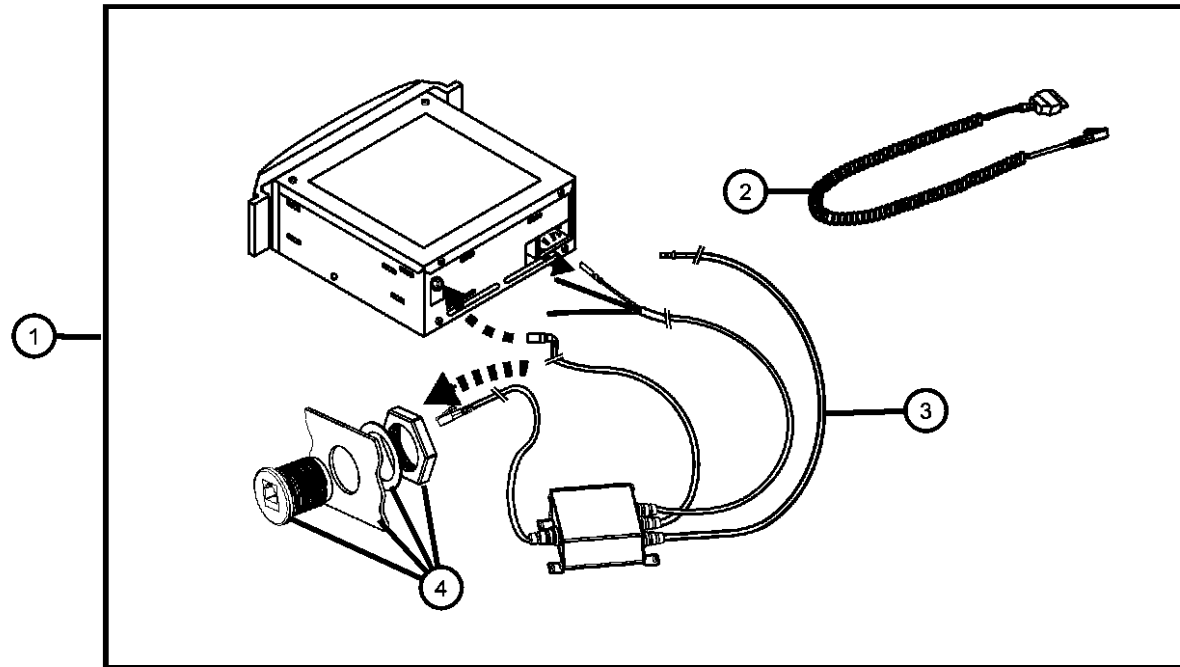
PACIFICA (CS)

SERIES	LINE	BODY	ENGINE	TRANSMISSION
H = HIGHLINE	C = CHRYSLER	74 = SPORT UTILITY 4-DR	EGQ = 4.0L V6 SOHC Engine	DG2 = 6-Speed Automatic 62TE
S = SPORT	Y = CHRYSLER	TYPE #4	EGH = 3.8L V6 OHV Engine	Transmission
X = SPECIAL				DFF = 4-Speed Automatic VLP 41TE Trans

AR = use ase required - = Non illustrated part

2008 CS

IPod
Figure 1-122



ITEM	PART NUMBER	QTY	LINE	SERIES	BODY	ENGINE	TRANS	TRIM	DESCRIPTION
1	82210181AB	1							MODULE KIT, IPOD Interface, FM
2	68001396AA	1							HARNESS, Jumper
3	68001396AA	1							MODULE, (NOT SERVICED)
4	68024675AA	1							HARDWARE, Contains: RJ11 Coupler, Plastic Nut & Lock Washer
5	82209616AC	1							MODULE KIT, IPOD Interface
6	05191195AA	1							HARNESS, Wiring
7	04869475AA	1							WIRING, Instrument Panel Jumper
8	05189869AA	1							WIRING, Jumper

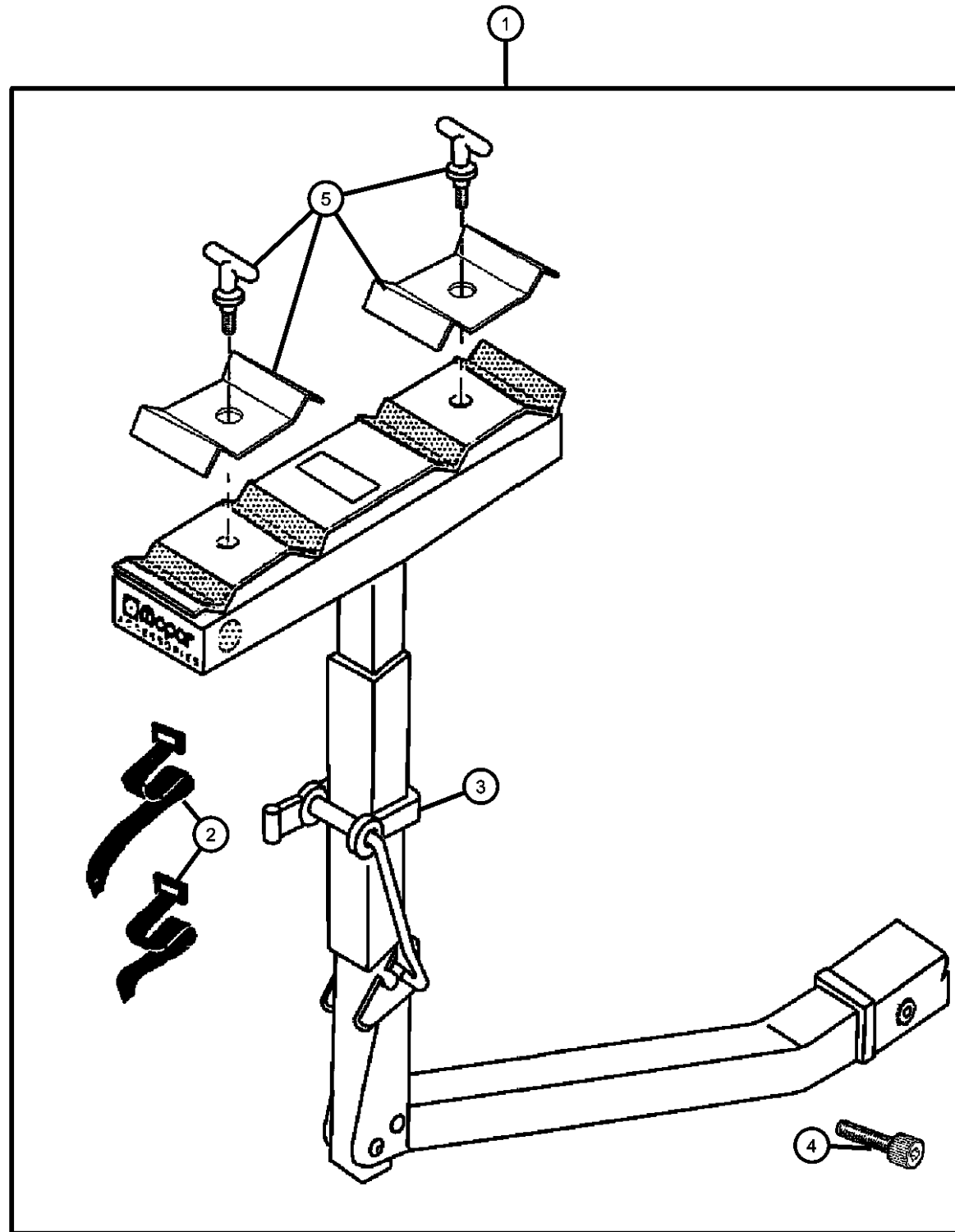
PACIFICA (CS)

SERIES	LINE	BODY	ENGINE	TRANSMISSION
H = HIGHLINE	C = CHRYSLER	74 = SPORT UTILITY 4-DR	EGQ = 4.0L V6 SOHC Engine	DG2 = 6-Speed Automatic 62TE
S = SPORT	Y = CHRYSLER	TYPE #4	EGH = 3.8L V6 OHV Engine	Transmission
X = SPECIAL				DFF = 4-Speed Automatic VLP 41TE
				Trans

AR = use ase required - = Non illustrated part

2008 CS

Carrier Kit - Hitch
Figure 1-204



ITEM	PART NUMBER	QTY	LINE	SERIES	BODY	ENGINE	TRANS	TRIM	DESCRIPTION
1									CARRIER KIT, Bike
	82204328	1							Four Bike 2.0 Inch Receiver Hitch Required
	82204453	1							Two Bike 2.0 Inch Receiver Hitch Required
2	04762880	1							STRAP KIT, Velcro
3	05016775AA	1							STRAP KIT, Bike Carrier Latch
4	05016776AA	1							BOLT KIT, Security
5	05018825AA	1							HARDWARE KIT, Bike Carrier, Contains: T-Handle, Lock Strap, Top Clamp Assy., Nylon Washer

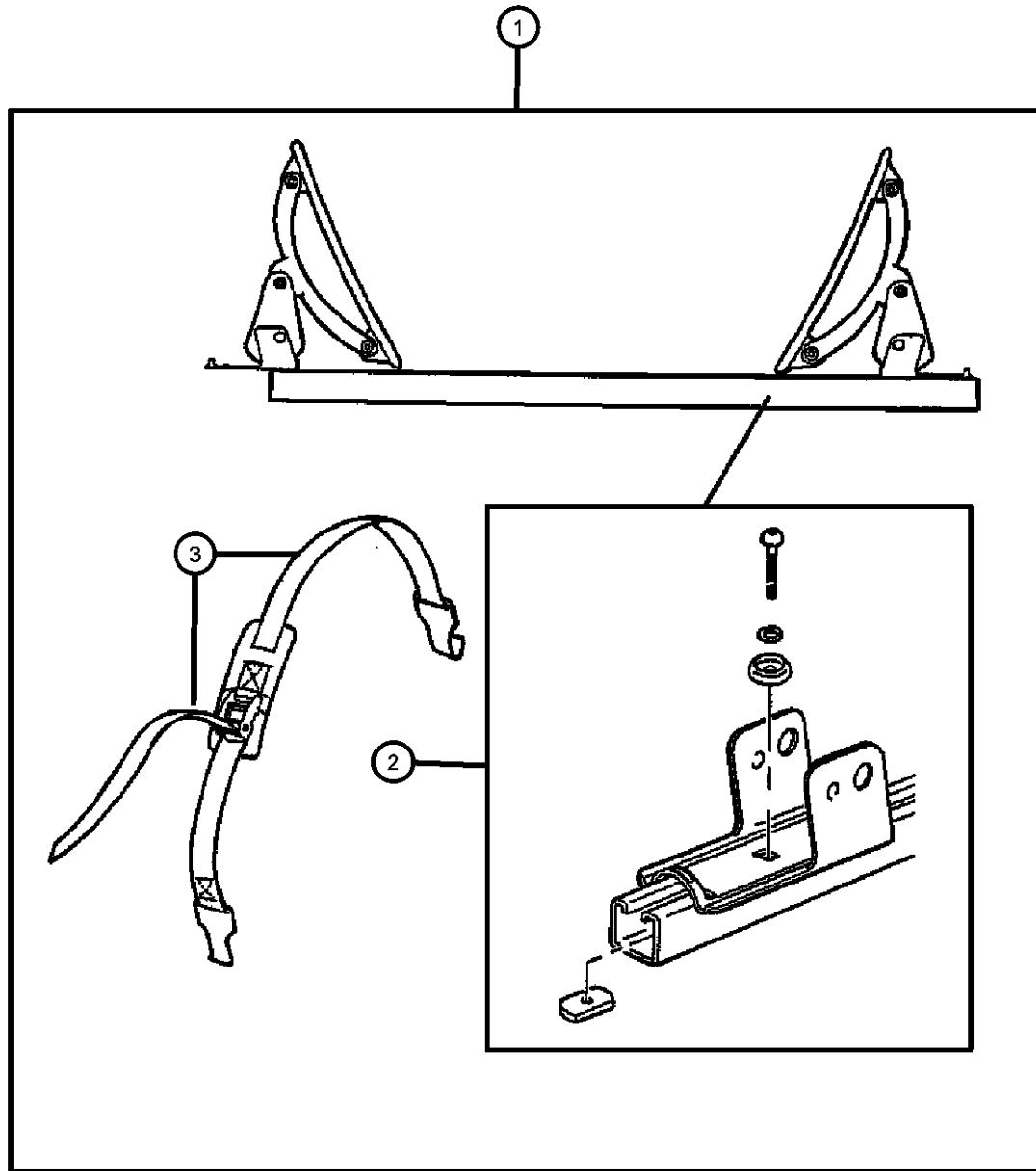
PACIFICA (CS)

SERIES	LINE	BODY	ENGINE	TRANSMISSION
H = HIGHLINE	C = CHRYSLER	74 = SPORT UTILITY 4-DR TYPE #4	EGQ = 4.0L V6 SOHC Engine	DG2 = 6-Speed Automatic 62TE Transmission
S = SPORT	Y = CHRYSLER		EGH = 3.8L V6 OHV Engine	DFF = 4-Speed Automatic VLP 41TE Trans
X = SPECIAL				

AR = use ase required - = Non illustrated part

Carrier Kit - Water Sports
Figure 1-210

ITEM	PART NUMBER	QTY	LINE	SERIES	BODY	ENGINE	TRANS	TRIM	DESCRIPTION
1	82205416	1							CARRIER KIT, Water Sports
2	05016389AA	1							HARDWARE KIT, Accessory, Contains: 4-25MM Button Head Screws,4-30MM Button Head Screws,4-Lock Washers, 4-Dome Washer, 4-Rubber Washers & 4-T-Nuts
3	05016511AA	1							STRAP, Cargo Tie Down



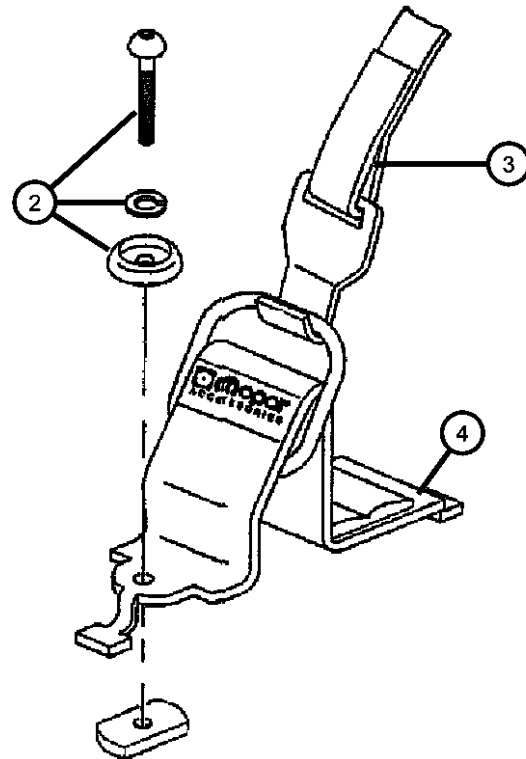
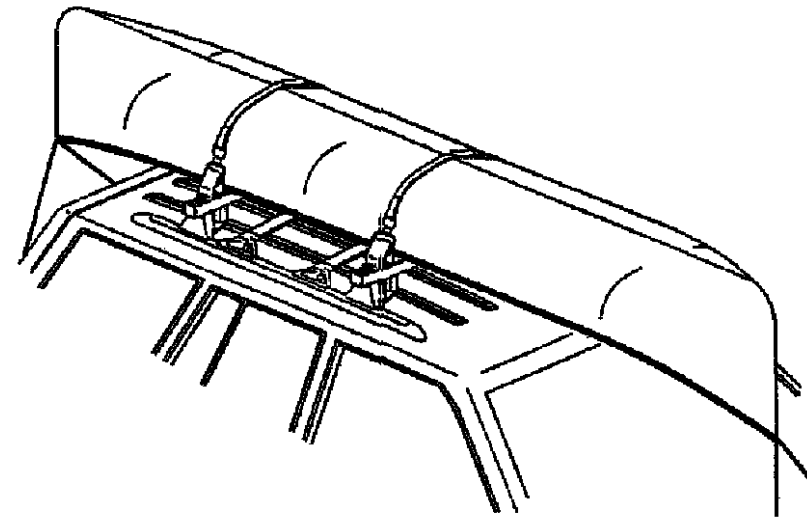
PACIFICA (CS)

SERIES	LINE	BODY	ENGINE	TRANSMISSION
H = HIGHLINE	C = CHRYSLER	74 = SPORT UTILITY 4-DR	EGQ = 4.0L V6 SOHC Engine	DG2 = 6-Speed Automatic 62TE
S = SPORT	Y = CHRYSLER	TYPE #4	EGH = 3.8L V6 OHV Engine	Transmission
X = SPECIAL				DFF = 4-Speed Automatic VLP 41TE Trans

AR = use ase required - = Non illustrated part

2008 CS

Carrier Kit - Canoe
Figure 1-212



ITEM	PART NUMBER	QTY	LINE	SERIES	BODY	ENGINE	TRANS	TRIM	DESCRIPTION
1	82204700	1							CARRIER KIT, Canoe
2	05016389AA	1							HARDWARE KIT, Accessory, Contains: 4-25MM Button Head Screws,4-30MM Button Head Screws,4-Lock Washers,4-Dome Washers,4-Rubber Washers & 4-T-Nuts
3	05016511AA	1							STRAP, Cargo Tie Down
4	05016511AA	1							BRACKET, Cargo Tie Down, Serviced With Carrier Kit, (NOT SERVICED)

PACIFICA (CS)

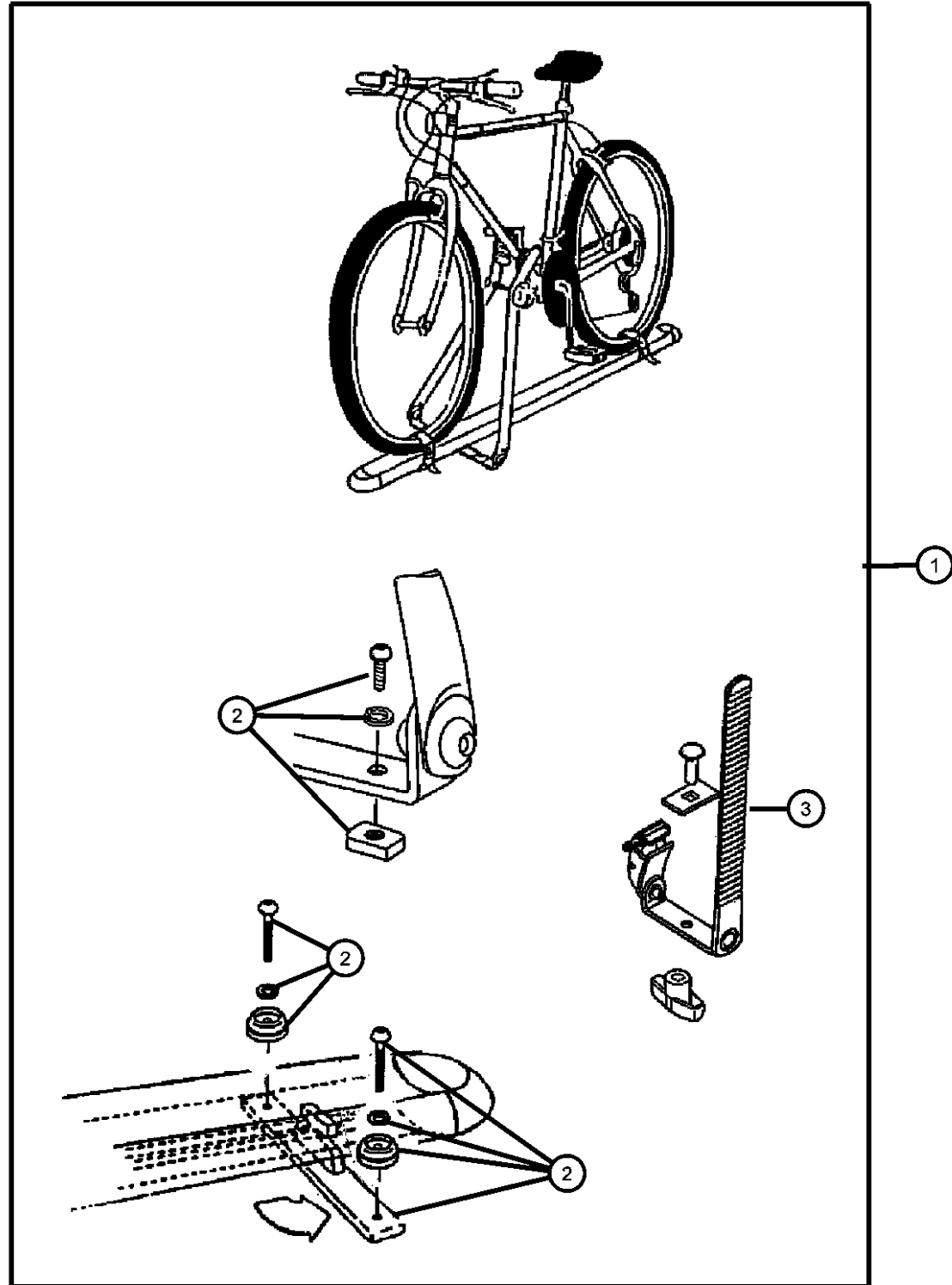
SERIES	LINE	BODY	ENGINE	TRANSMISSION
H = HIGHLINE	C = CHRYSLER	74 = SPORT UTILITY 4-DR	EGQ = 4.0L V6 SOHC Engine	DG2 = 6-Speed Automatic 62TE
S = SPORT	Y = CHRYSLER	TYPE #4	EGH = 3.8L V6 OHV Engine	Transmission
X = SPECIAL				DFF = 4-Speed Automatic VLP 41TE Trans

AR = use ase required - = Non illustrated part

2008 CS

Carrier Kit -Bike-Fork Mount
Figure 1-214

ITEM	PART NUMBER	QTY	LINE	SERIES	BODY	ENGINE	TRANS	TRIM	DESCRIPTION
1	82207942	1							CARRIER KIT, Bike, Upright - Mount
2	05093779AA	1							HARDWARE KIT, Accessory, Contains: 2-T-Slot Anchors,1-Rear T-Slot Bar,4-Button Head Screws,2-Lockwashers,4-Round Dome Washers
3	05114532AA	1							STRAP, Cargo Tie Down



PACIFICA (CS)

SERIES	LINE	BODY	ENGINE	TRANSMISSION
H = HIGHLINE	C = CHRYSLER	74 = SPORT UTILITY 4-DR TYPE #4	EGQ = 4.0L V6 SOHC Engine	DG2 = 6-Speed Automatic 62TE Transmission
S = SPORT	Y = CHRYSLER		EGH = 3.8L V6 OHV Engine	DFF = 4-Speed Automatic VLP 41TE Trans
X = SPECIAL				

AR = use ase required - = Non illustrated part

2008 CS

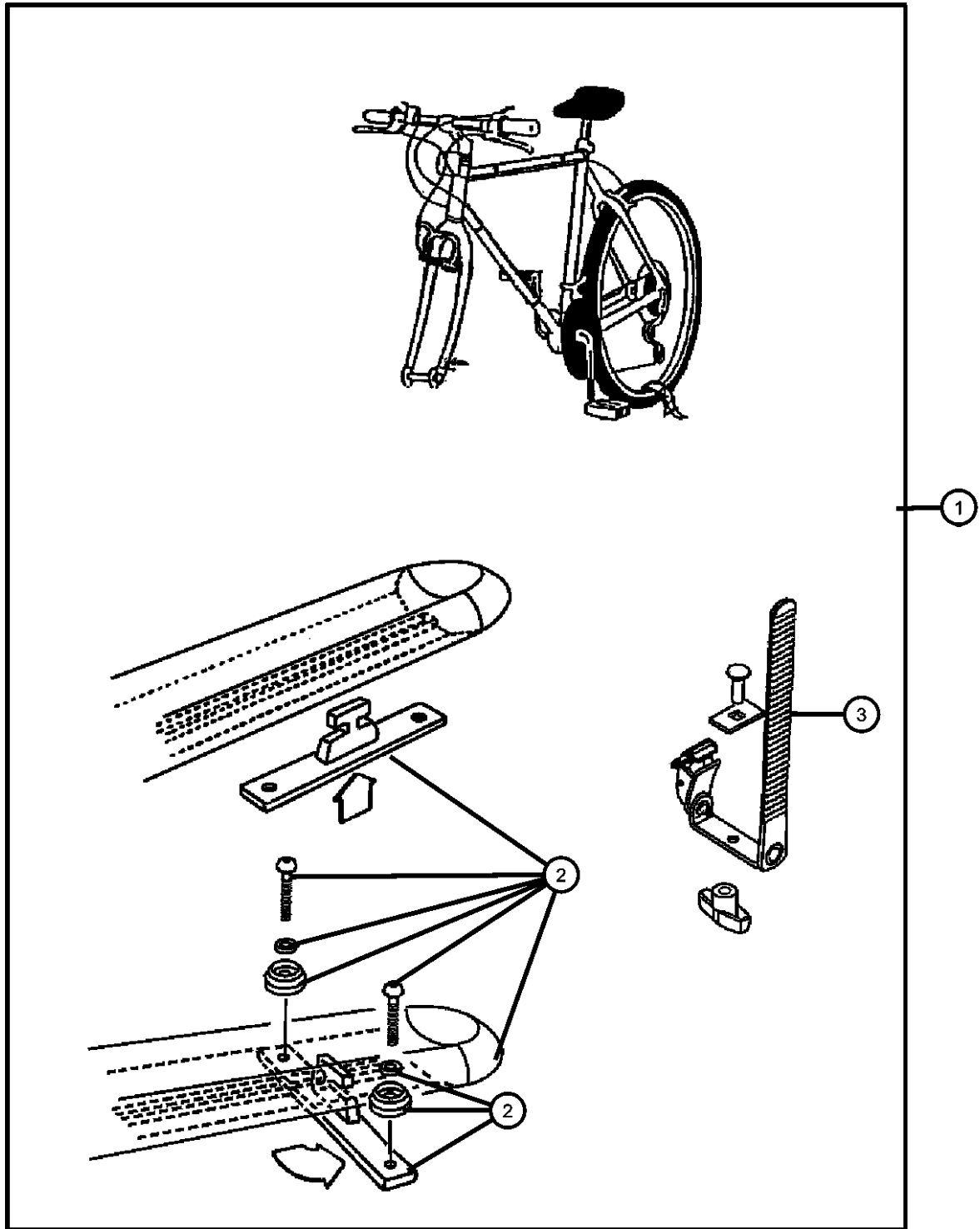
Carrier Kit -Bike-Upright Mount
Figure 1-216

ITEM	PART NUMBER	QTY	LINE	SERIES	BODY	ENGINE	TRANS	TRIM	DESCRIPTION
------	-------------	-----	------	--------	------	--------	-------	------	-------------

NOTE: Hardware Kit also contained in Carrier Kit.

1	82207943	1							CARRIER KIT, Bike, Fork - Mount
2	05093779AA	1							HARDWARE KIT, Accessory, Contains: 2-T-Slot Anchors,2-Rear T-Slot Bar,4-Button Head Screws,2-Lockwashers,4-Round Dome Washers
3	05114532AA	1							STRAP, Cargo Tie Down

CARRIER KIT, Bike, Fork - Mount
HARDWARE KIT, Accessory,
Contains: 2-T-Slot Anchors,2-Rear
T-Slot Bar,4-Button Head
Screws,2-Lockwashers,4-Round
Dome Washers
STRAP, Cargo Tie Down



PACIFICA (CS)

SERIES LINE

H = HIGHLINE C = CHRYSLER

S = SPORT Y = CHRYSLER

X = SPECIAL

BODY

74 = SPORT UTILITY 4-DR
TYPE #4

ENGINE

EGQ = 4.0L V6 SOHC Engine
EGH = 3.8L V6 OHV Engine

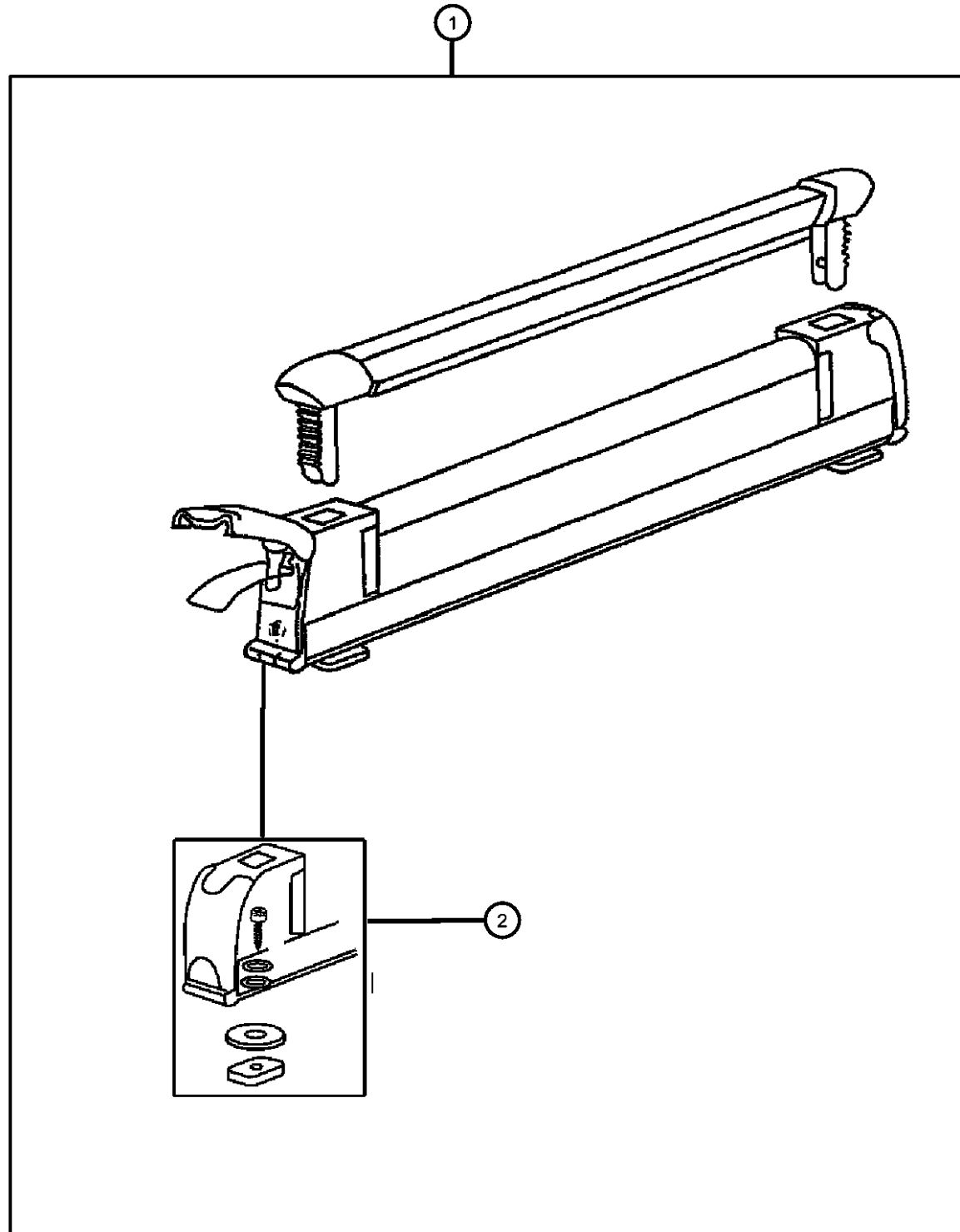
TRANSMISSION

DG2 = 6-Speed Automatic 62TE
Transmission
DFF = 4-Speed Automatic VLP 41TE
Trans

AR = use ase required - = Non illustrated part

2008 CS

Carrier Kit - Ski
Figure 1-220



ITEM	PART NUMBER	QTY	LINE	SERIES	BODY	ENGINE	TRANS	TRIM	DESCRIPTION
1	82207308	1							CARRIER KIT, Ski
	82207312	1							6 Pair or 3 Snowboards
	05086158AA	1							3 Pair or 2 Snowboards
2	05086158AA	1							HARDWARE KIT, Accessory, Contains: 4 -25MM Screws, 4 -20MM Screws, 4 - 16MM Screws, 4 - Lock Washers, 4 - Flat Washers, 4 - T Plates, 4 - Rubber Washers
-3	05066632AA	1							TOOL, Screw Driver

PACIFICA (CS)

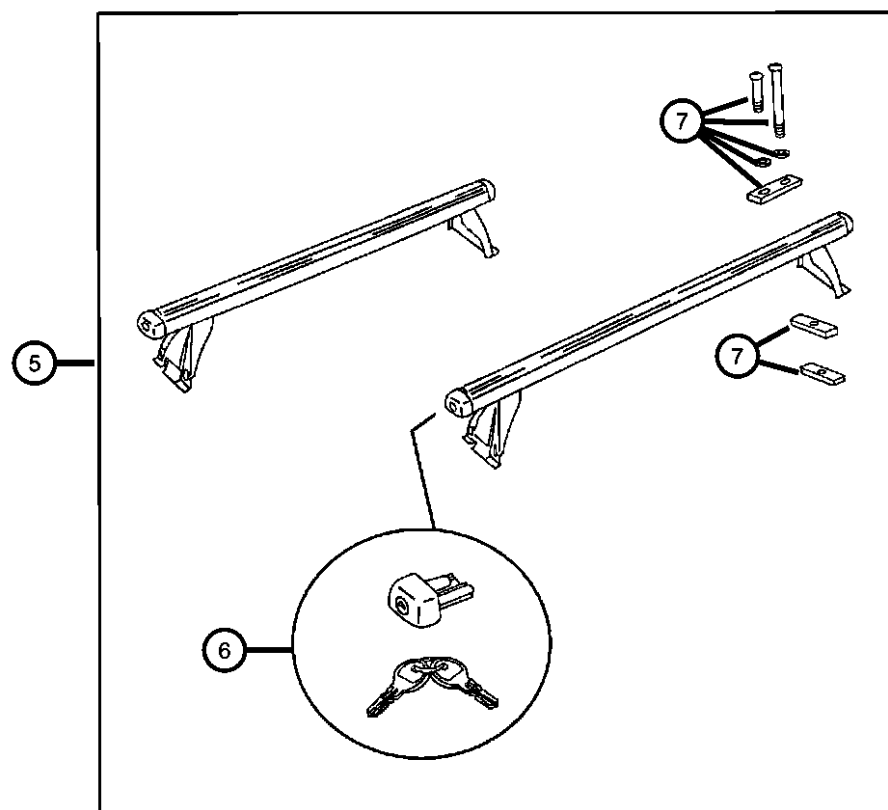
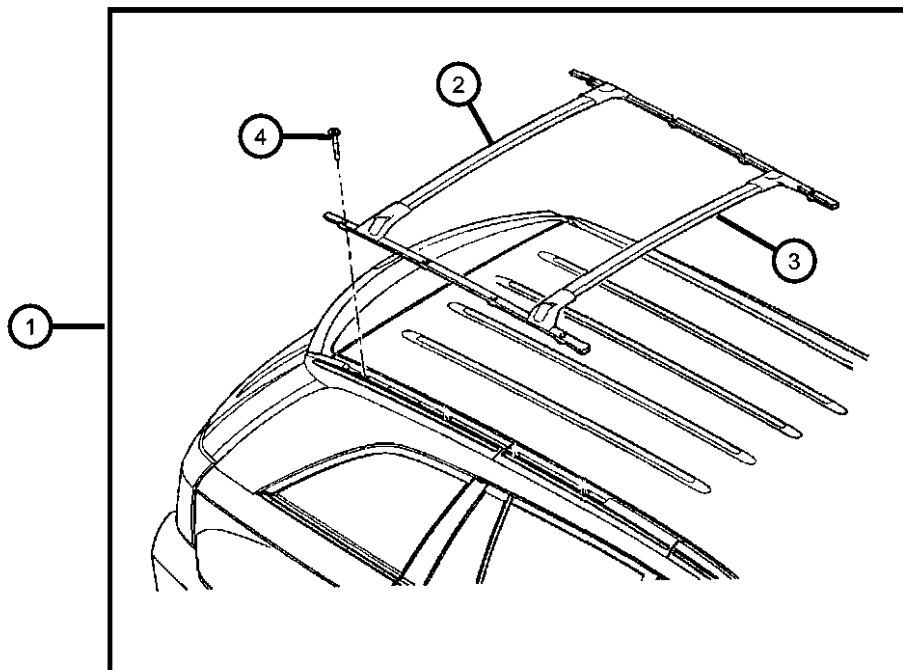
SERIES	LINE	BODY	ENGINE	TRANSMISSION
H = HIGHLINE	C = CHRYSLER	74 = SPORT UTILITY 4-DR	EGQ = 4.0L V6 SOHC Engine	DG2 = 6-Speed Automatic 62TE
S = SPORT	Y = CHRYSLER	TYPE #4	EGH = 3.8L V6 OHV Engine	Transmission
X = SPECIAL				DFF = 4-Speed Automatic VLP 41TE Trans

AR = use ase required - = Non illustrated part

2008 CS

**Rack Kit - Multipurpose
Figure 1-230**

ITEM	PART NUMBER	QTY	LINE	SERIES	BODY	ENGINE	TRANS	TRIM	DESCRIPTION
1	82207950AB	1			74				RACK KIT, Multipurpose, Usable Width of 33 inches
2	04857768AE	1	C, Y		74				RAIL, LUGG RACK CROSS
3	04857769AE	1	C, Y		74				RAIL, LUGG RACK CROSS
4	04857752AB	8	C, Y		74				SCREW, Torx Head, M6x1.0x40.5
5	82207944	1							RACK KIT, Multipurpose, Usable width of 50 inches
6	05072276AA	1							END CAP, Roof Rack Side Rail
7	05066452AA	1							HARDWARE KIT, ROOF RACK
-8	05066632AA	1							TOOL, Screw Driver



PACIFICA (CS)

SERIES	LINE	BODY	ENGINE	TRANSMISSION
H = HIGHLINE	C = CHRYSLER	74 = SPORT UTILITY 4-DR	EGQ = 4.0L V6 SOHC Engine	DG2 = 6-Speed Automatic 62TE
S = SPORT	Y = CHRYSLER	TYPE #4	EGH = 3.8L V6 OHV Engine	Transmission
X = SPECIAL				DFF = 4-Speed Automatic VLP 41TE
				Trans

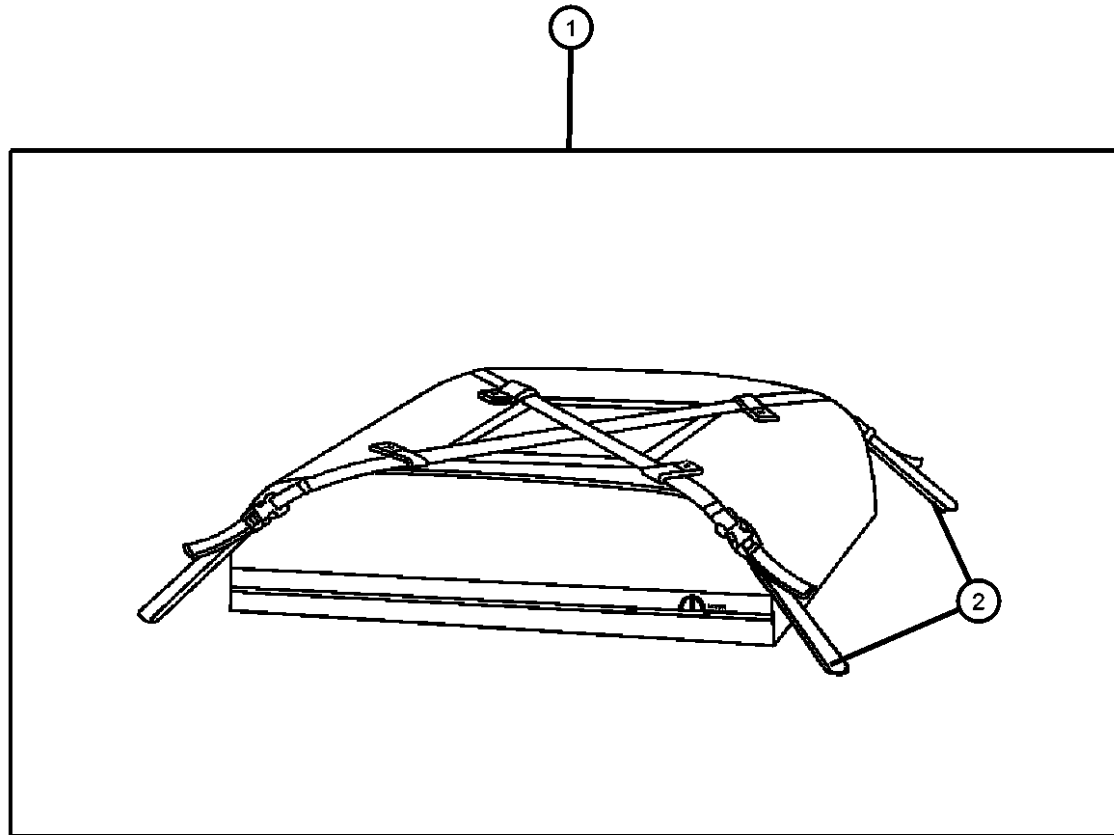
AR = use ase required - = Non illustrated part

Carrier Kit -Luggage-Soft
Figure 1-252

ITEM	PART NUMBER	QTY	LINE	SERIES	BODY	ENGINE	TRANS	TRIM	DESCRIPTION
------	-------------	-----	------	--------	------	--------	-------	------	-------------

Note; Sport Utility or Production Rack Required

1	82208301	1							CARRIER KIT, Luggage, 29 inch x 46 inch x 15 inch
2	05066332AA	1							STRAP KIT, Luggage Carrier



PACIFICA (CS)

SERIES	LINE	BODY	ENGINE	TRANSMISSION
H = HIGHLINE	C = CHRYSLER	74 = SPORT UTILITY 4-DR	EGQ = 4.0L V6 SOHC Engine	DG2 = 6-Speed Automatic 62TE
S = SPORT	Y = CHRYSLER	TYPE #4	EGH = 3.8L V6 OHV Engine	Transmission
X = SPECIAL				DFF = 4-Speed Automatic VLP 41TE
				Trans

AR = use ase required - = Non illustrated part

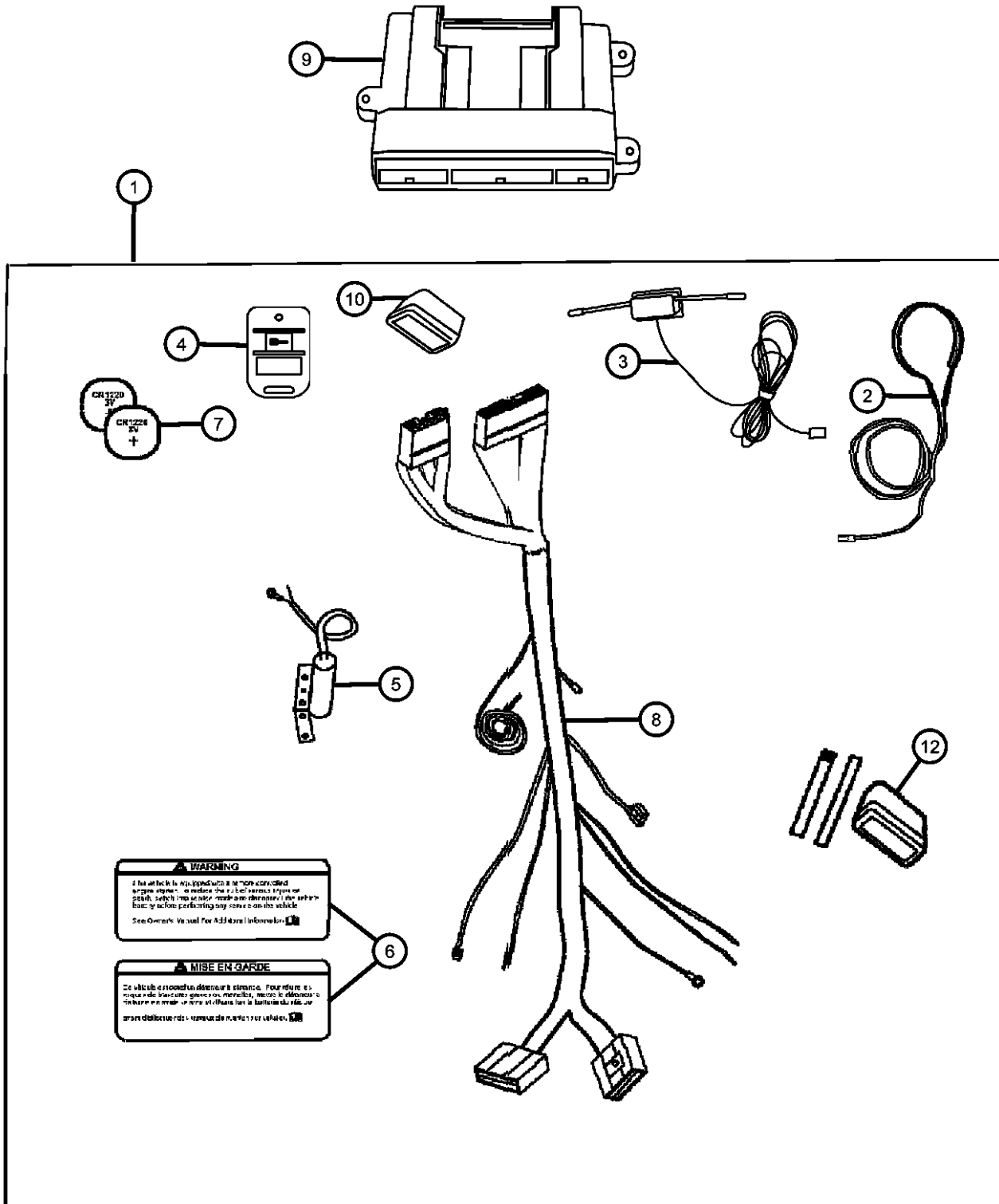
2008 CS

Remote Start
Figure 1-304

ITEM	PART NUMBER	QTY	LINE	SERIES	BODY	ENGINE	TRANS	TRIM	DESCRIPTION
------	-------------	-----	------	--------	------	--------	-------	------	-------------

NOTE: Module (Item # 9) not included in install kit, need to order separately.

1	82208861AG	1							INSTALL KIT, REMOTE START
2	05140470AA	1							ANTENNA
3	05140471AA	1							ANTENNA
4	05140472AA	1							TRANSMITTER
5	68001331AA	1							SWITCH
6	05140474AA	1							LABEL
7	05140773AA	1							BATTERY, Transmitter, Contains: 12 Replacement Batteries
8	05179432AA	1							HARNES, Wiring
9	82208859AB	1							MODULE KIT, REMOTE START
10	05140464AA	1							MODULE, Remote Start
-11	68021198AA	1							MODULE, Remote Start
12	05140468AA	1							MODULE



PACIFICA (CS)

SERIES LINE

H = HIGHLINE C = CHRYSLER

S = SPORT Y = CHRYSLER

X = SPECIAL

BODY

74 = SPORT UTILITY 4-DR
TYPE #4

ENGINE

EGQ = 4.0L V6 SOHC Engine
EGH = 3.8L V6 OHV Engine

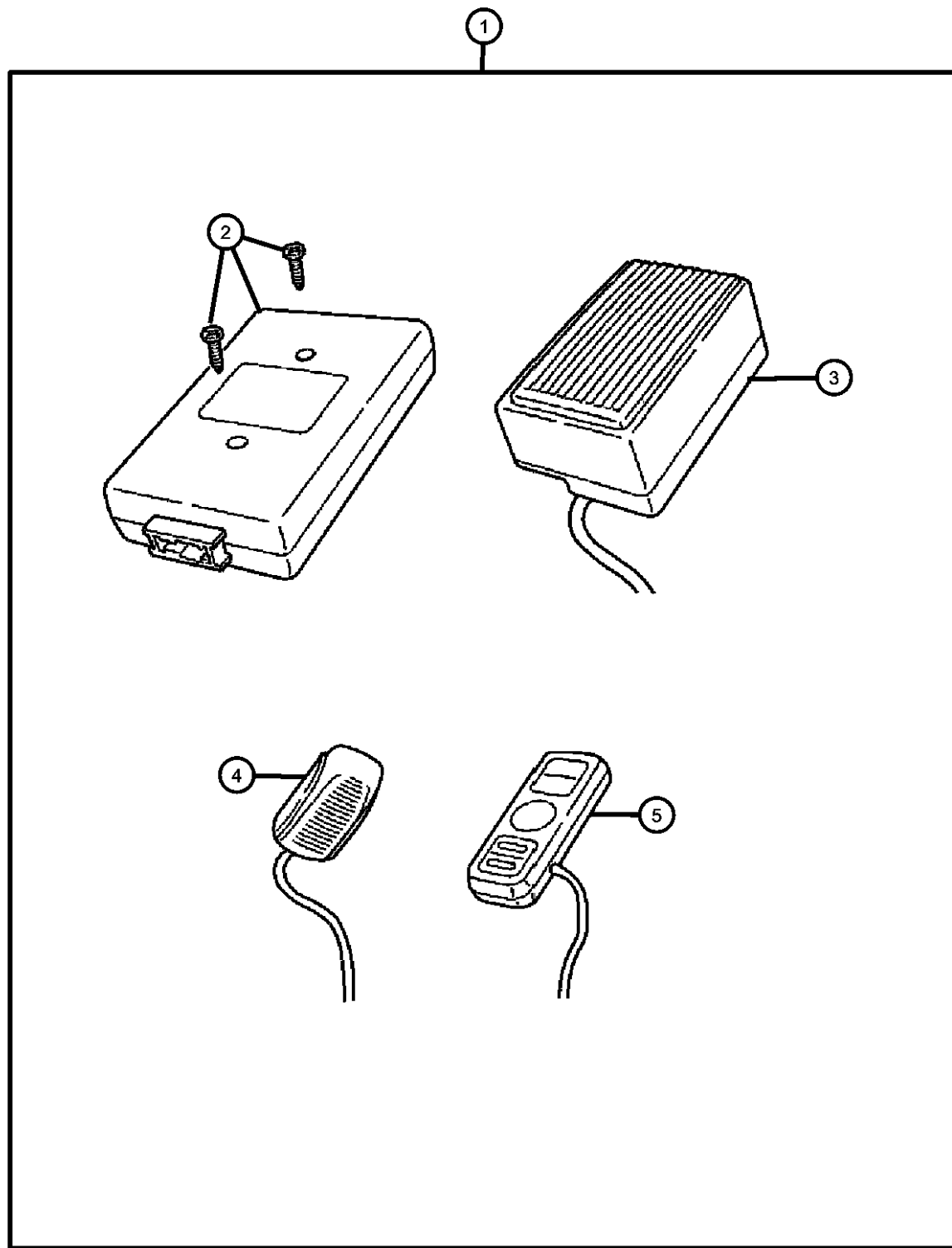
TRANSMISSION

DG2 = 6-Speed Automatic 62TE
Transmission
DFF = 4-Speed Automatic VLP 41TE
Trans

AR = use ase required - = Non illustrated part

2008 CS

Hands Free Kit - Cellular Phone
Figure 1-310



ITEM	PART NUMBER	QTY	LINE	SERIES	BODY	ENGINE	TRANS	TRIM	DESCRIPTION
1	82207853AF	1							HANDS FREE KIT, Cellular Phone
2	05114359AE	1							MODULE, U Connect
3	05102026AA	1							SPEAKER, Front
4	05102025AA	1							MICROPHONE, Audio
5	05102027AA	1							CONTROLLER, Audio
-6	05191830AA	1							HARNESS

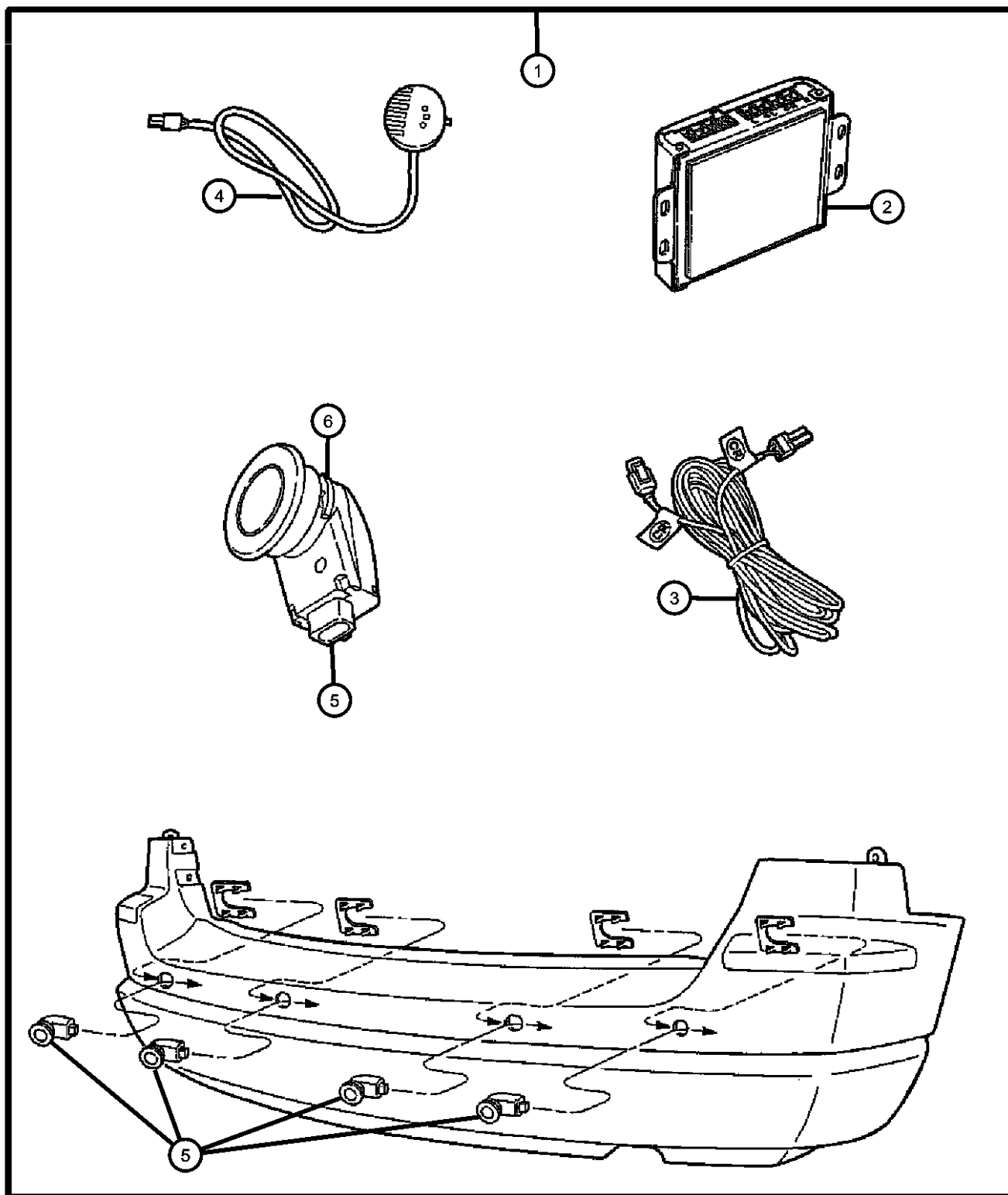
PACIFICA (CS)

SERIES	LINE	BODY	ENGINE	TRANSMISSION
H = HIGHLINE	C = CHRYSLER	74 = SPORT UTILITY 4-DR	EGQ = 4.0L V6 SOHC Engine	DG2 = 6-Speed Automatic 62TE
S = SPORT	Y = CHRYSLER	TYPE #4	EGH = 3.8L V6 OHV Engine	Transmission
X = SPECIAL				DFF = 4-Speed Automatic VLP 41TE Trans

AR = use ase required - = Non illustrated part

2008 CS

Sensor Kit- Park/Distance
Figure 1-320



ITEM	PART NUMBER	QTY	LINE	SERIES	BODY	ENGINE	TRANS	TRIM	DESCRIPTION
1	82208246AE	1							SENSOR KIT, Park Distance
2	05137541AA	1							MODULE, Parking Assist
3	05137540AA	1							WIRING, Distance Sensor
4	05137539AA	1							DISPLAY, Parking Assist
5	05137536AA	1							SENSOR
6	05191116AA	1							CLIP, Retainer

PACIFICA (CS)

SERIES

H = HIGHLINE

S = SPORT

X = SPECIAL

LINE

C = CHRYSLER

Y = CHRYSLER

BODY

74 = SPORT UTILITY 4-DR

TYPE #4

ENGINE

EGQ = 4.0L V6 SOHC Engine

EGH = 3.8L V6 OHV Engine

TRANSMISSION

DG2 = 6-Speed Automatic 62TE

Transmission

DFF = 4-Speed Automatic VLP 41TE

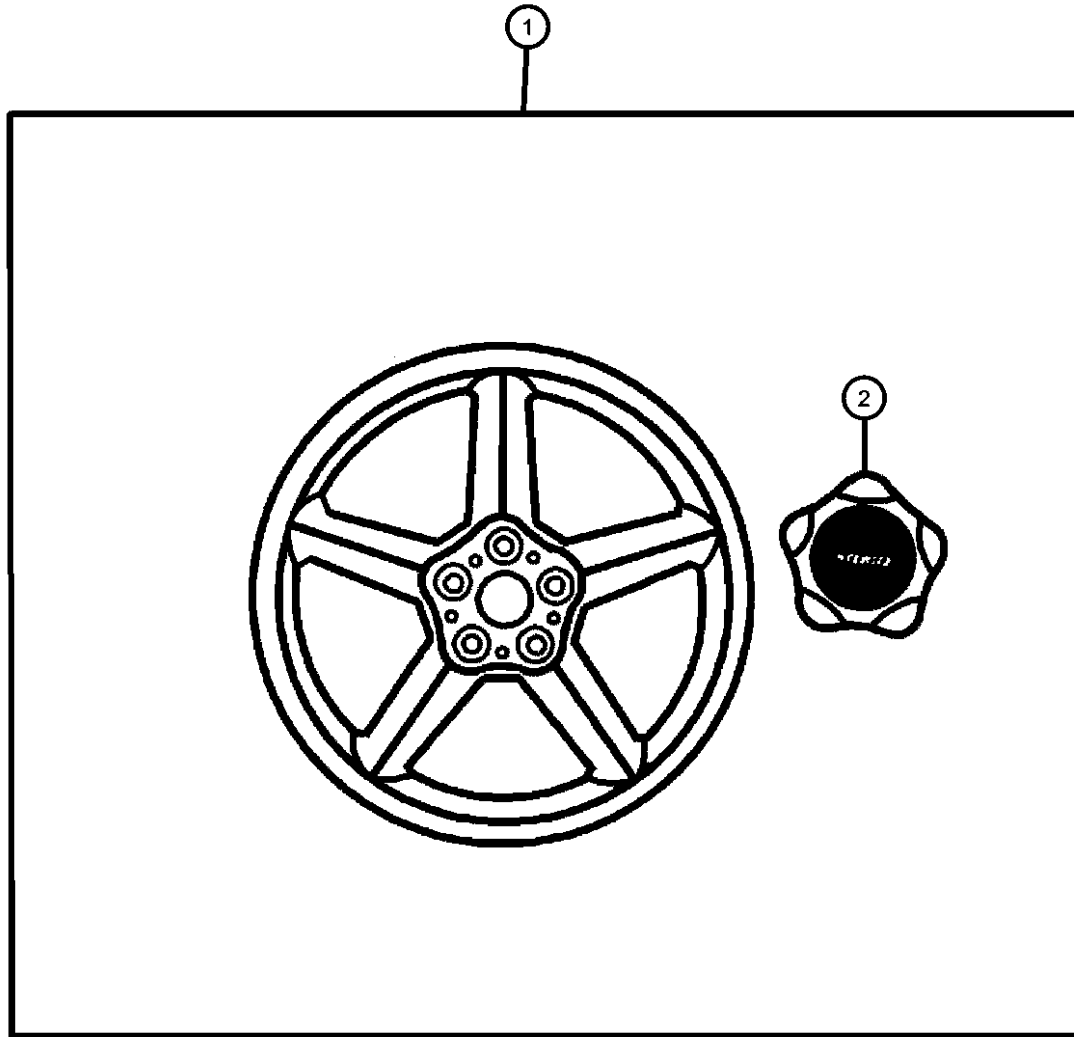
Trans

AR = use ase required - = Non illustrated part

2008 CS

Wheel Kit
Figure 1-448

ITEM	PART NUMBER	QTY	LINE	SERIES	BODY	ENGINE	TRANS	TRIM	DESCRIPTION
1	82209467	1			74				WHEEL KIT, Cast Aluminum
2	04862300AB	4	C, Y		74				CAP, Wheel Center



PACIFICA (CS)

SERIES

H = HIGHLINE

S = SPORT

X = SPECIAL

LINE

C = CHRYSLER

Y = CHRYSLER

BODY

74 = SPORT UTILITY 4-DR
TYPE #4

ENGINE

EGQ = 4.0L V6 SOHC Engine

EGH = 3.8L V6 OHV Engine

TRANSMISSION

DG2 = 6-Speed Automatic 62TE

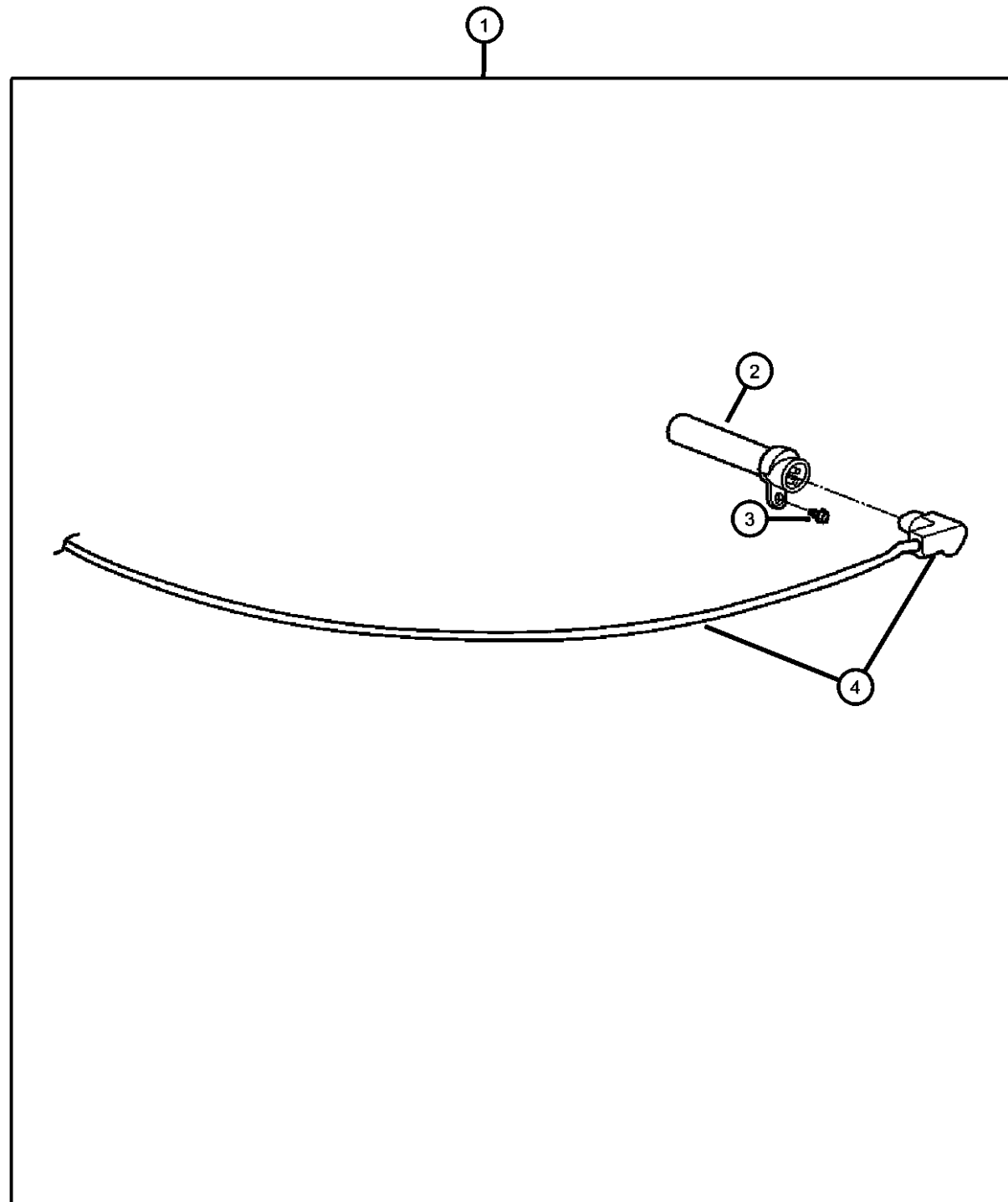
Transmission

DFF = 4-Speed Automatic VLP 41TE
Trans

AR = use ase required - = Non illustrated part

2008 CS

Heater Kit - Engine Block
Figure 1-602



ITEM	PART NUMBER	QTY	LINE	SERIES	BODY	ENGINE	TRANS	TRIM	DESCRIPTION
1	82208362AB	1							HEATER KIT, Engine Block
2	04609325AB	1							HEATER, Engine Block
3	06501957	1							BOLT AND WASHER, Hex Head, M6X1.00X20.00
4	04868424AC	1							CORD, Engine Block Heater

PACIFICA (CS)

SERIES	LINE	BODY	ENGINE	TRANSMISSION
H = HIGHLINE	C = CHRYSLER	74 = SPORT UTILITY 4-DR	EGQ = 4.0L V6 SOHC Engine	DG2 = 6-Speed Automatic 62TE
S = SPORT	Y = CHRYSLER	TYPE #4	EGH = 3.8L V6 OHV Engine	Transmission
X = SPECIAL				DFF = 4-Speed Automatic VLP 41TE
				Trans

AR = use ase required - = Non illustrated part