

## VIN PLATE DECODING INFORMATION

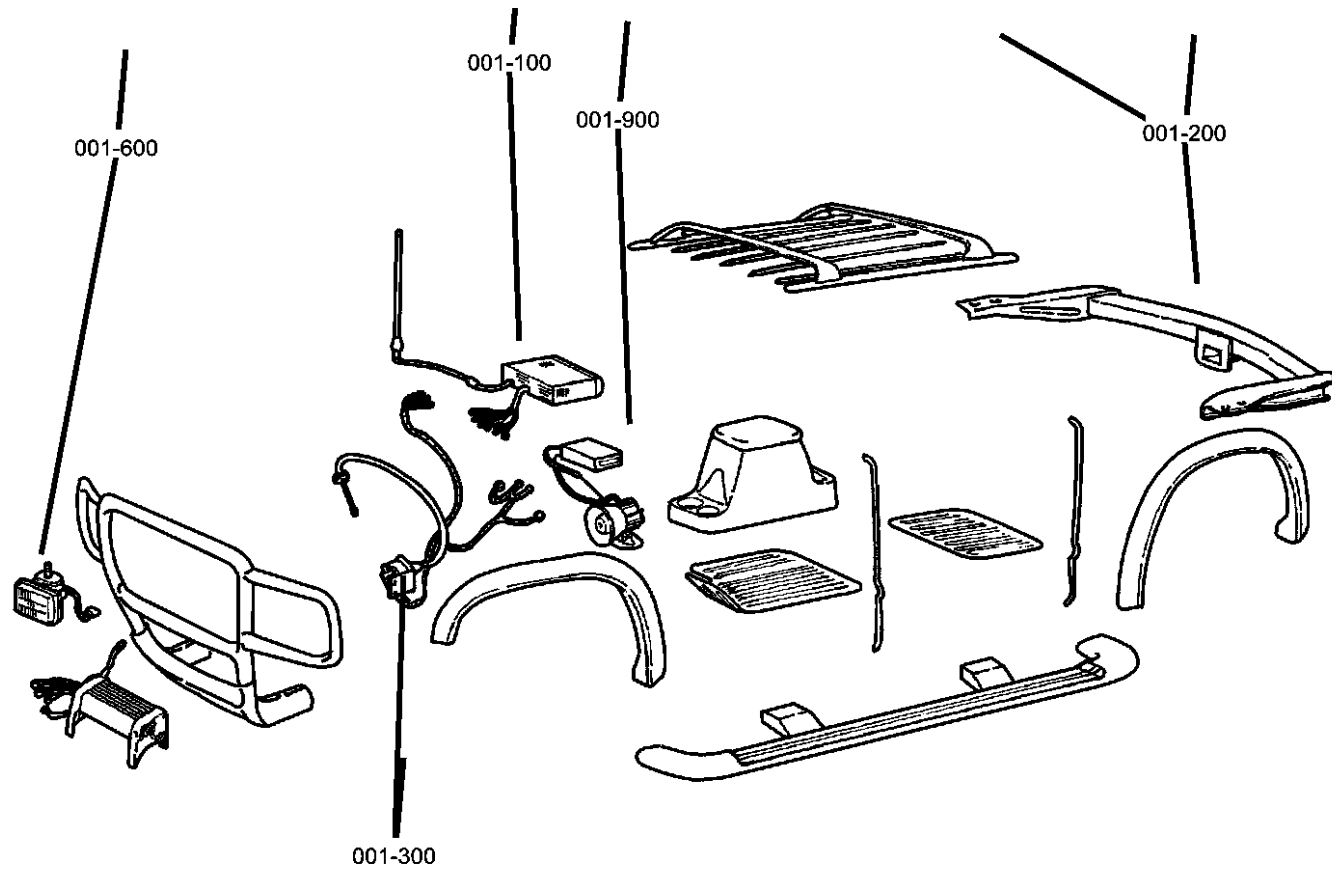
1	2	3	4	5	6	7	8	9	10	11	12 thru 17
Country	Make	Vehicle Type	Other	Line	Series	Body Style	Engine	Check Digit	Model Year	Assy. Plant	Sequence No.

The following table interprets the VIN Plate position shown above.

Position	Interpretation	Codes = Description
1	Country of Origin	2 = Built by DaimlerChrysler Canada
2	Assembler	C = Chrysler
3	Vehicle Type	4 = Multipurpose Passenger Vehicle
4	GVWR & Pass. Safety	E = 3001 - 4000 lbs F = 4001 - 5000 lbs G = 5001-6000lbs (2269-2721KGS) H = 6001 - 7000 lbs J = 7001 - 8000 lbs K = 8001 - 9000 lbs L = 9001 - 10000 lbs
5	Vehicle Line	F = Pacifica (AWD) M = Pacifica (FWD)
6	Series	4 = Pacifica FWD/AWD 7 = Pacifica Limited AWD 6 = Pacifica Touring FWD/AWD
7	Body Style	8 = 4 Door Sport Utility (74) 8 = CS - 74
8	Engine	4 = 3.5L 6Cyl. Gas (EGN) L = 3.8L 6Cyl. SMPI (EGH)
9	Check Digit	0 = Check Digit
10	Model Year	7 = 2007
11	Assembly Plant	R = Windsor Assembly
12 thru 17	Vehicle Build Sequence	Model Year Assembly Sequence

# Group - 1

## Component Parts for Mopar Accessories



## Group - 1 Component Parts for Mopar Accessories

Illustration Title

Group-Fig. No.

### Audio & Electronics

Satellite Receiver Kit.....	Fig. 1 - 120
Install Kit, Satellite Receiver.....	Fig. 1 - 140
Media System - With and Without DVD .....	Fig. 1 - 150
Backup Camera Kit .....	Fig. 1 - 160
Module Kit - iPod Interface .....	Fig. 1 - 170

### Carriers & Cargo Hauling

Bike Carrier - Hitch Mount Two Bike.....	Fig. 1 - 210
Bike Carrier Hitch Mount, Four Bike .....	Fig. 1 - 211
Bike Carrier - Roof, Fork Mount Style .....	Fig. 1 - 212
Bike Carrier - Roof Upright Mount Style .....	Fig. 1 - 214
Ski Carrier - Roof.....	Fig. 1 - 224
Rack Kit - Roof .....	Fig. 1 - 230
Carrier Kit Roof - Canoe .....	Fig. 1 - 231
Carrier Kit Roof - Water Sports.....	Fig. 1 - 232
Rack Kit - Multi-Purpose .....	Fig. 1 - 234
Luggage Carrier .....	Fig. 1 - 235
Luggage Carrier Roof, Vinyl.....	Fig. 1 - 236

### Driving Convenience


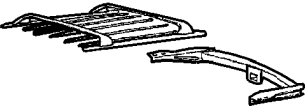
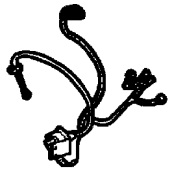
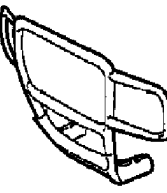

Remote Start .....	Fig. 1 - 310
Sensor Kit - Parking Distance .....	Fig. 1 - 320
Hands Free Kit/ Cellular Phone Blue Tooth .....	Fig. 1 - 330

### Exterior Appearance

Wheel Kit.....	Fig. 1 - 410
----------------	--------------

### Fog Lights & Electrical

Heater Kit / Engine Block .....	Fig. 1 - 610
Fog Lamp Kit .....	Fig. 1 - 630

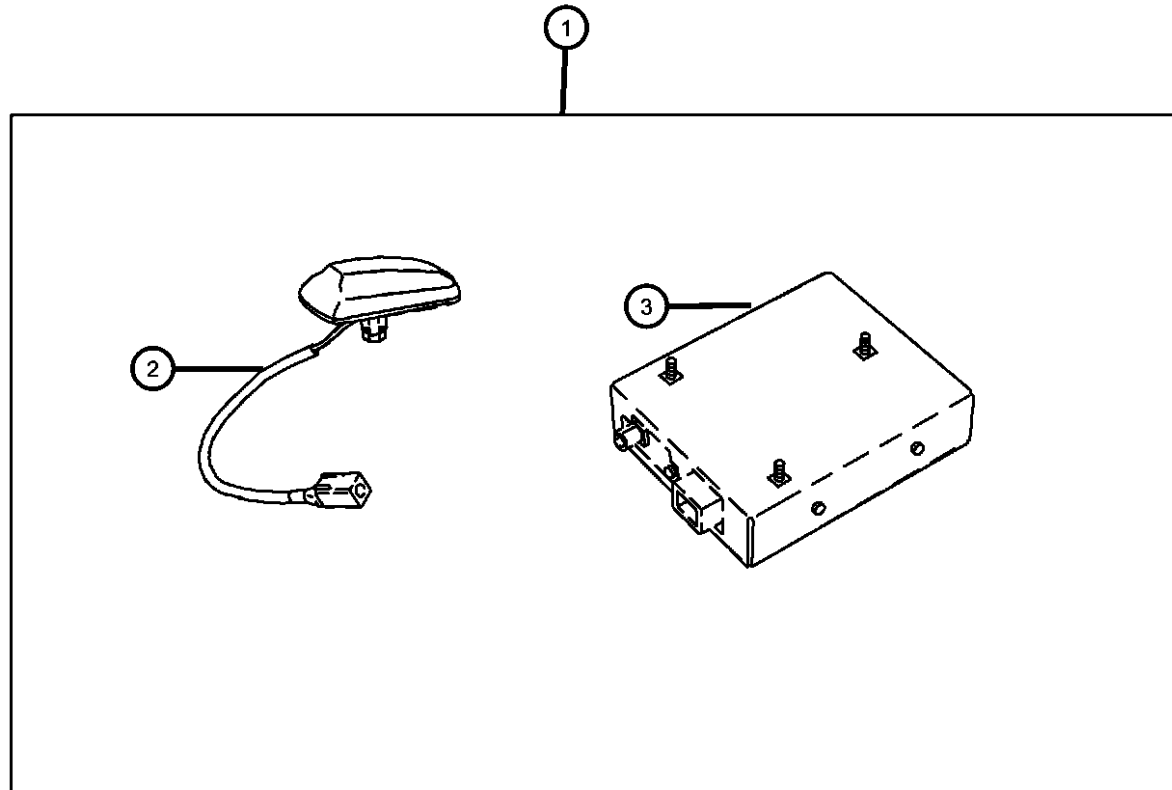
<p><b>001-100</b> Audio &amp; Electronics</p> 	<p><b>001-200</b> Carriers &amp; Cargo Hauling</p> 	<p><b>001-300</b> Driving Convenience</p> 	<p><b>001-400</b> Exterior Appearance</p> 
<p><b>001-600</b> Fog Lights &amp; Electrical</p> 			

**Satellite Receiver Kit  
Figure 1-120**

ITEM	PART NUMBER	QTY	LINE	SERIES	BODY	ENGINE	TRANS	TRIM	DESCRIPTION
------	-------------	-----	------	--------	------	--------	-------	------	-------------

Note: For Warranty Repair On Item 3, Order Using Z Prefix

1	82209764AB	1							RECEIVER, Satellite
2	05150048AB	1							ANTENNA, Satellite
3	68015146AC	1							RECEIVER, Satellite



**PACIFICA (CS)**

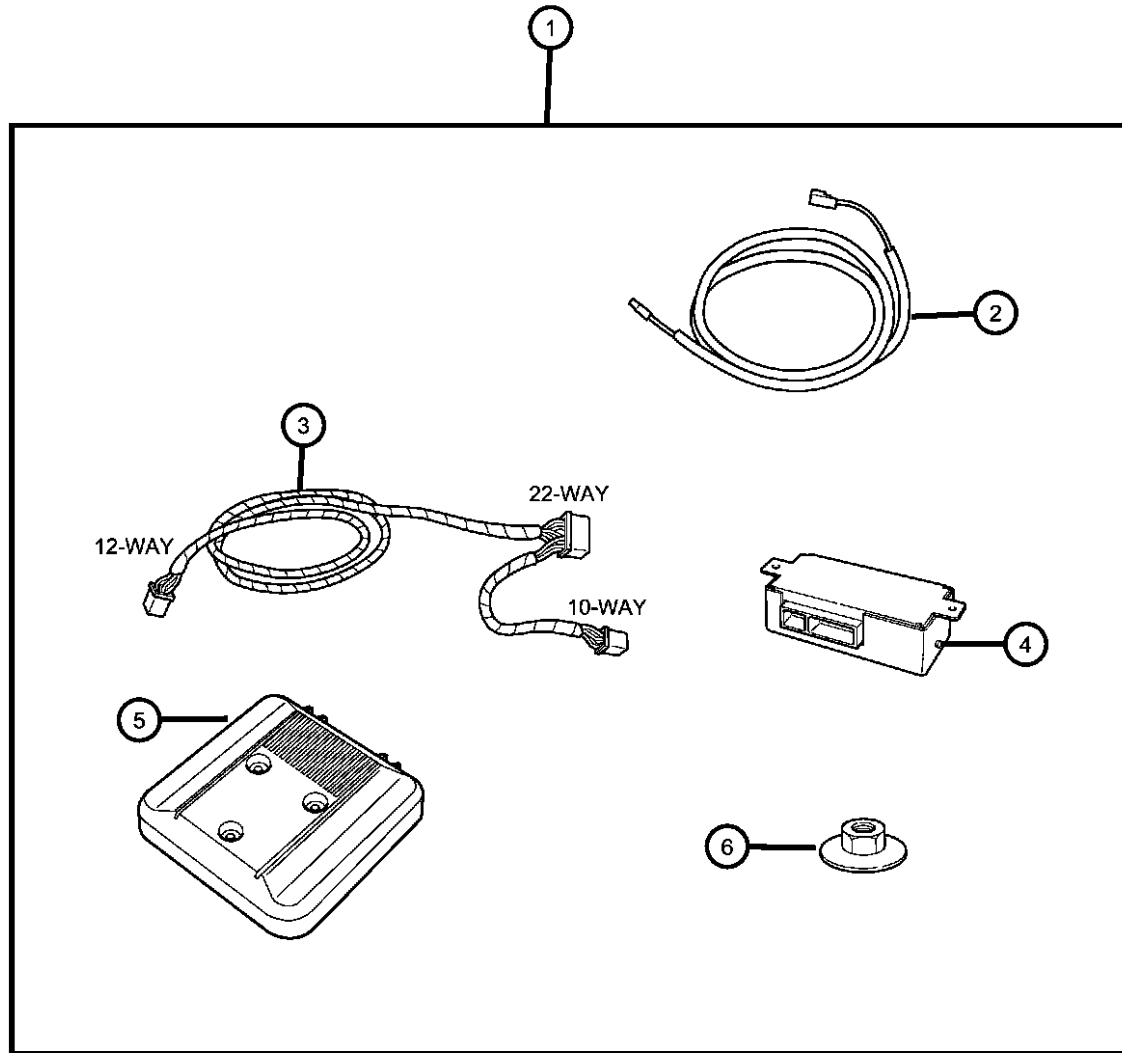
SERIES	LINE	BODY	ENGINE	TRANSMISSION
H = HIGHLINE	C = CHRYSLER	74 = SPORT UTILITY 4-DR	EGH = 3.8L V6 OHV Engine	DFF = 4-Speed Automatic VLP 41TE
S = SPORT	Y = CHRYSLER	TYPE #4	EGN = Engine - 3.5L V6 24V MPI	Trans
X = SPECIAL				DG2 = 6-Speed Automatic 62TE Transmission
				DGL = 4-Speed Automatic Transmission

AR = use ase required - = Non illustrated part

2007 CS

**Install Kit, Satellite Receiver  
Figure 1-140**

ITEM	PART NUMBER	QTY	LINE	SERIES	BODY	ENGINE	TRANS	TRIM	DESCRIPTION
1	82210297	1							INSTALL KIT, Satelite Receiver
2	05191048AA	1							CABLE, Antenna
3	05086643AA	1							WIRING, Rcvr to Radio
4	05059112AC	1							MODULE, Radio Control
5	56040997AA	1							COVER, Radio
6	06100046	1							NUT AND WASHER, Hex, M5x.80



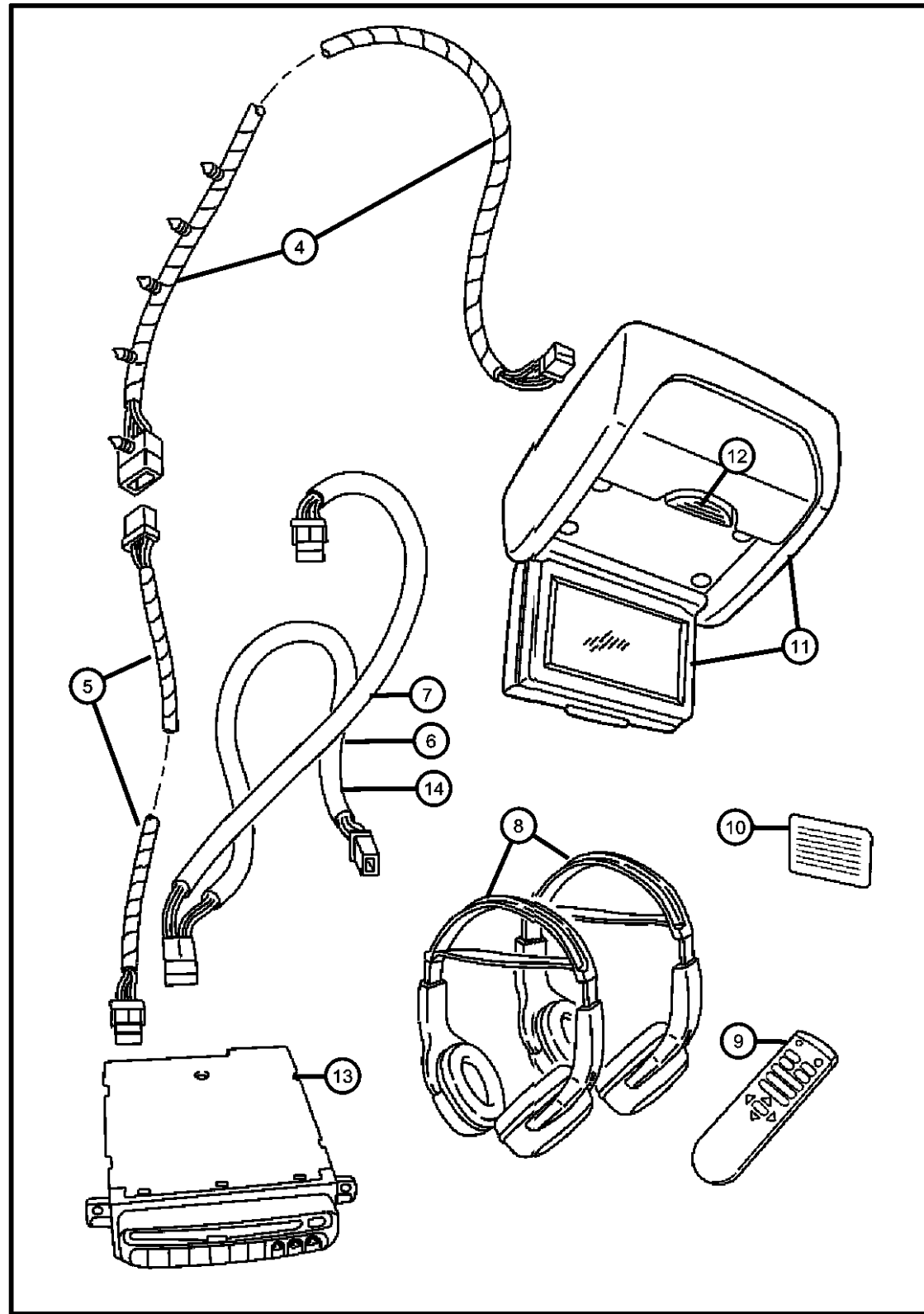
**PACIFICA (CS)**

SERIES	LINE	BODY	ENGINE	TRANSMISSION
H = HIGHLINE	C = CHRYSLER	74 = SPORT UTILITY 4-DR	EGH = 3.8L V6 OHV Engine	DFF = 4-Speed Automatic VLP 41TE
S = SPORT	Y = CHRYSLER	TYPE #4	EGN = Engine - 3.5L V6 24V MPI	Trans
X = SPECIAL				DG2 = 6-Speed Automatic 62TE
				Transmission
				DGL = 4-Speed Automatic
				Transmission

AR = use ase required - = Non illustrated part

2007 CS

Media System - With and Without DVD  
Figure 1-150



ITEM	PART NUMBER	QTY	LINE	SERIES	BODY	ENGINE	TRANS	TRIM	DESCRIPTION
------	-------------	-----	------	--------	------	--------	-------	------	-------------

Note: For Warranty Repair on Item 12, Order Using Z Prefix

1	82210368	1							MEDIA SYSTEM, Monitor w/o DVD
-2	04685951AE	1							BRACKET ASSY, REAR SEAT VIDEO
3	82210367	1							MEDIA SYSTEM, Monitor with DVD
4	04868754AA	1							WIRING, DVD to Screen, A-Pillar to Monitor
5	04868763AA	1							WIRING, DVD Jumper, I/P to A-Pillar
6	04869388AC	1							WIRING, DVD Jumper, DVD To Radio
7	04685999AC	1							WIRING, Compact Disc Changer, DVD To Radio
8	05064037AA	1							HEADPHONES, Wireless, Infrared
9	05094043AB	1							REMOTE, Wireless Infrared
10	05020533AA	1							LABEL, Mercury Warning
11	1BZ59DW1AB	1	C, Y		74				HOUSING, Monitor, IR 8" Screen
12	05135244AA	1							LATCH KIT, Video Screen
13	05094031AD	1							DVD CHANGER
14	05140600AA	1							WIRING, DVD Power
-15	05096086AA	1							HARDWARE KIT, MultiMedia System
-16	05096052AA	1							WIRING, DVD to Auxiliary Jack

**PACIFICA (CS)**

SERIES      LINE  
H = HIGHLINE    C = CHRYSLER  
S = SPORT        Y = CHRYSLER  
X = SPECIAL

BODY  
74 = SPORT UTILITY 4-DR  
TYPE #4

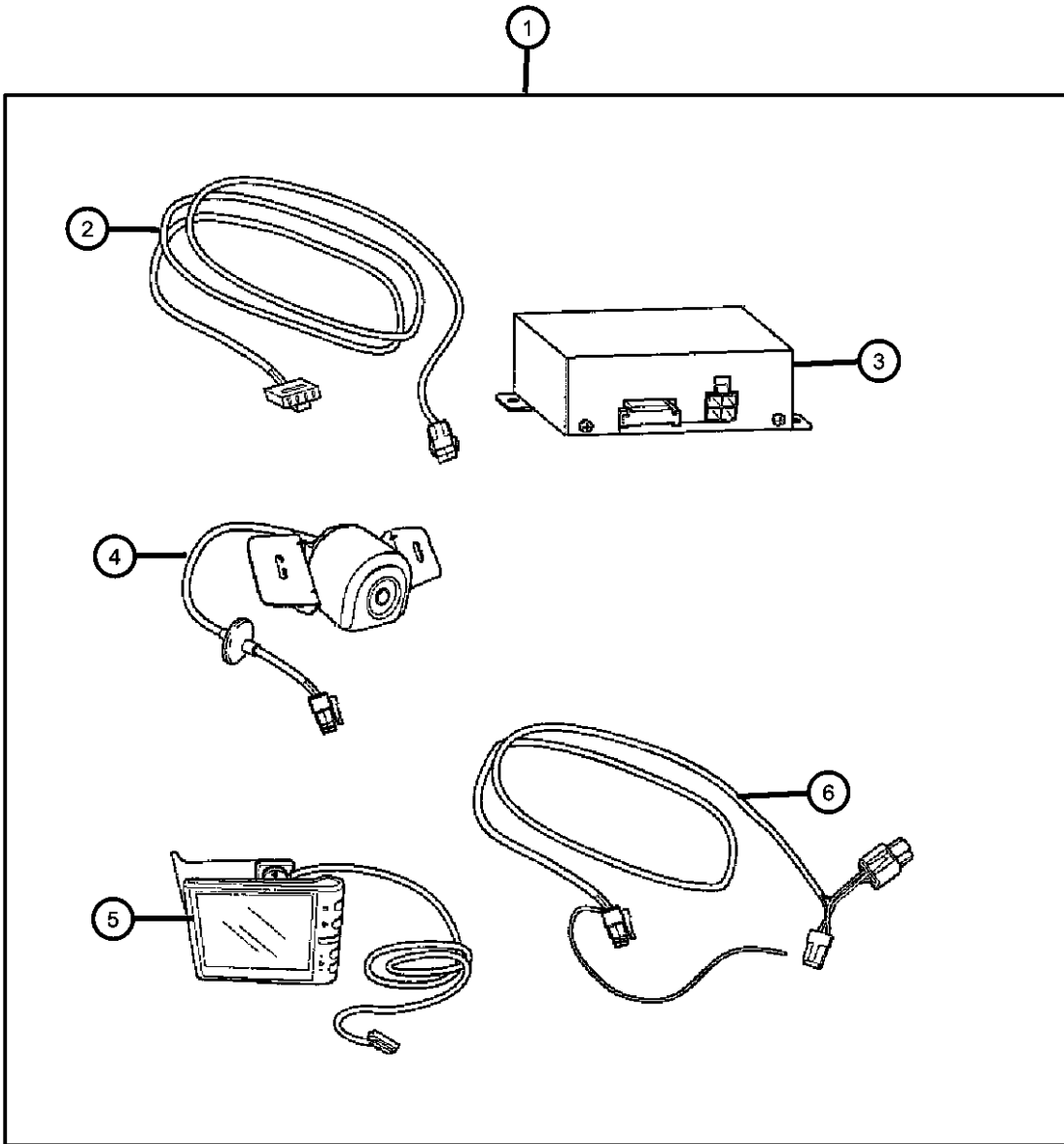
ENGINE  
EGH = 3.8L V6 OHV Engine  
EGN = Engine - 3.5L V6 24V  
MPI

TRANSMISSION  
DFF = 4-Speed Automatic VLP 41TE  
Trans  
DG2 = 6-Speed Automatic 62TE  
Transmission  
DGL = 4-Speed Automatic  
Transmission

AR = use ase required - = Non illustrated part

2007 CS

**Backup Camera Kit  
Figure 1-160**



ITEM	PART NUMBER	QTY	LINE	SERIES	BODY	ENGINE	TRANS	TRIM	DESCRIPTION
1	82209796	1							CAMERA KIT, Back Up
2	05191904AA	1							HARNESS, Wiring
3	05191903AA	1							CONTROL MODULE, Receiver
4	05191906AA	1							CAMERA
5	05191907AA	1							MONITOR, Back Up Camera
6	05191905AA	1							HARNESS, Wiring

**PACIFICA (CS)**

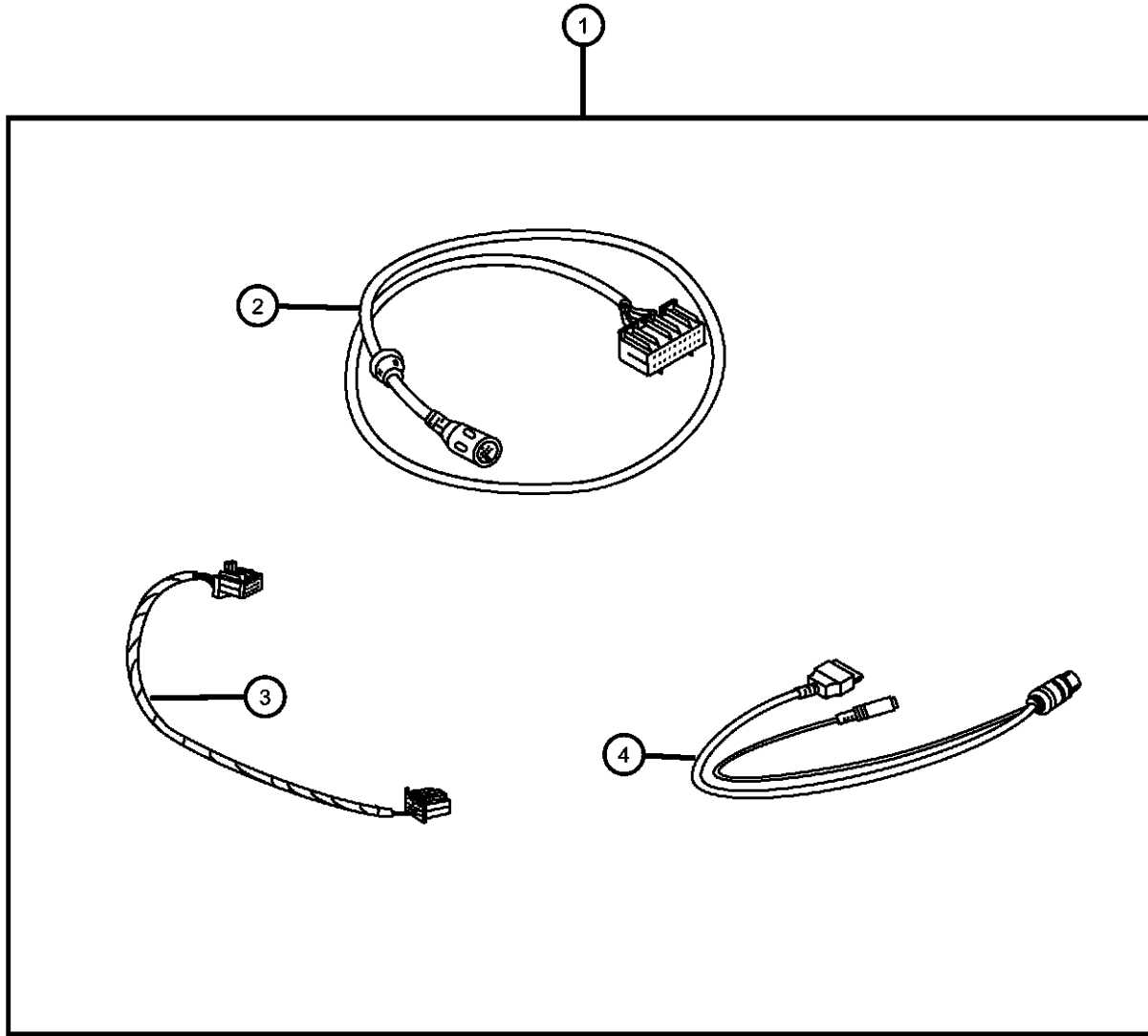
SERIES	LINE	BODY	ENGINE	TRANSMISSION
H = HIGHLINE	C = CHRYSLER	74 = SPORT UTILITY 4-DR	EGH = 3.8L V6 OHV Engine	DFF = 4-Speed Automatic VLP 41TE
S = SPORT	Y = CHRYSLER	TYPE #4	EGN = Engine - 3.5L V6 24V MPI	Trans
X = SPECIAL				DG2 = 6-Speed Automatic 62TE Transmission
				DGL = 4-Speed Automatic Transmission

AR = use ase required - = Non illustrated part

2007 CS

**Module Kit - iPod Interface  
Figure 1-170**

ITEM	PART NUMBER	QTY	LINE	SERIES	BODY	ENGINE	TRANS	TRIM	DESCRIPTION
1	82209616AC	1							MODULE KIT, IPOD Interface
2	05191195AA	1							HARNESS, Wiring, 1.0M
3	04869475AA	1							WIRING, Instrument Panel Jumper, Radio to Adapter Jumper
4	05189869AA	1							WIRING, Jumper, Glovebox to iPod



**PACIFICA (CS)**

SERIES

H = HIGHLINE  
S = SPORT  
X = SPECIAL

LINE

C = CHRYSLER  
Y = CHRYSLER

BODY

74 = SPORT UTILITY 4-DR  
TYPE #4

ENGINE

EGH = 3.8L V6 OHV Engine  
EGN = Engine - 3.5L V6 24V  
MPI

TRANSMISSION

DFF = 4-Speed Automatic VLP 41TE  
Trans  
DG2 = 6-Speed Automatic 62TE  
Transmission  
DGL = 4-Speed Automatic  
Transmission

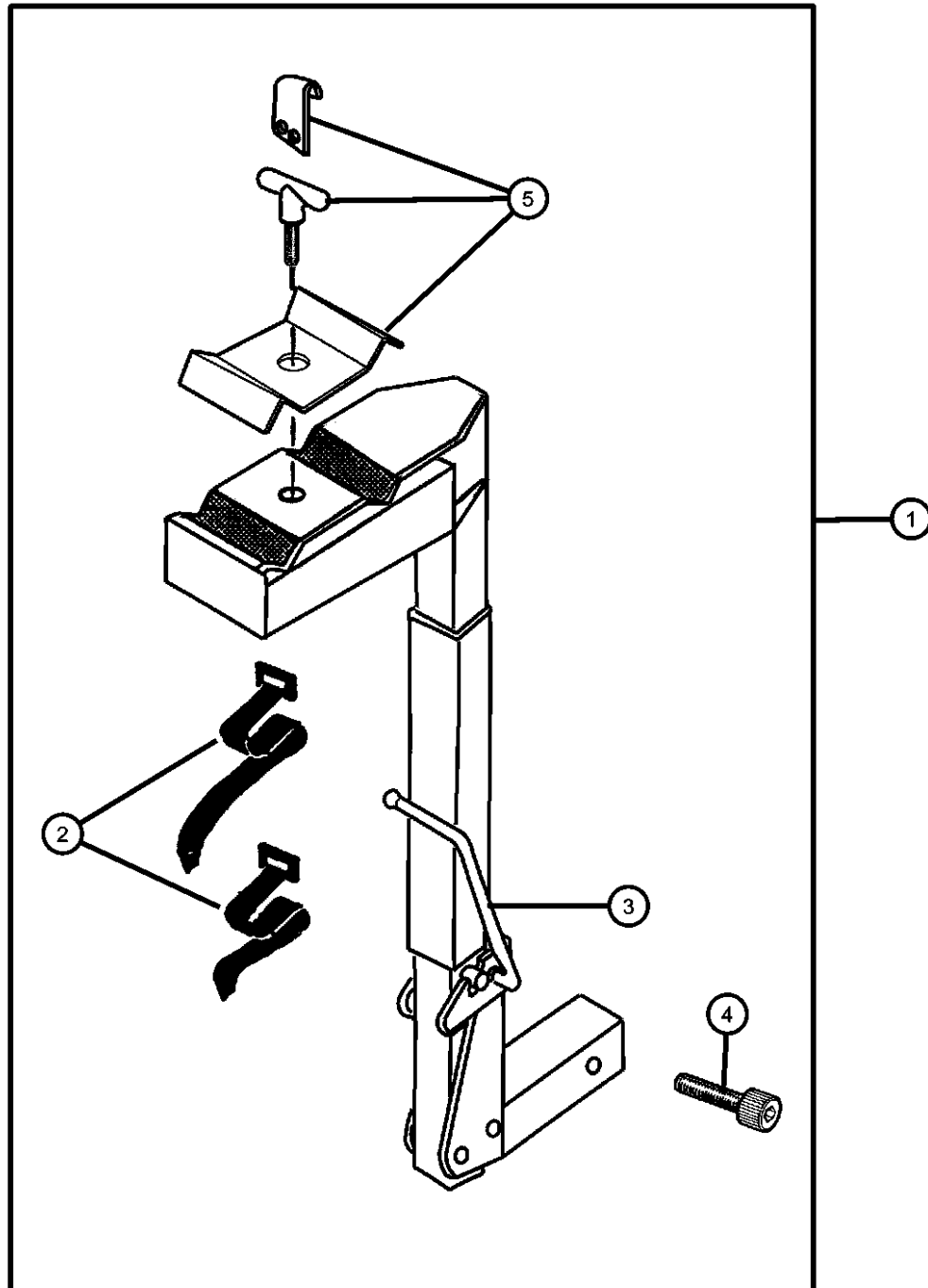
**Bike Carrier - Hitch Mount Two Bike  
Figure 1-210**

ITEM	PART NUMBER	QTY	LINE	SERIES	BODY	ENGINE	TRANS	TRIM	DESCRIPTION
------	-------------	-----	------	--------	------	--------	-------	------	-------------

NOTE: Folds down for access to rear deck, has anti theft bolts.

1	82204453	1							CARRIER KIT, Bike, 2.0 Inch Receiver Hitch Required
2	04762880	1							STRAP KIT, Velcro
3	05016775AA	1							STRAP KIT, Bike Carrier Latch
4	05016776AA	1							BOLT KIT, Security
5	05018825AA	1							HARDWARE KIT, Bike Carrier

CARRIER KIT, Bike, 2.0 Inch Receiver Hitch Required  
STRAP KIT, Velcro  
STRAP KIT, Bike Carrier Latch  
BOLT KIT, Security  
HARDWARE KIT, Bike Carrier



**PACIFICA (CS)**

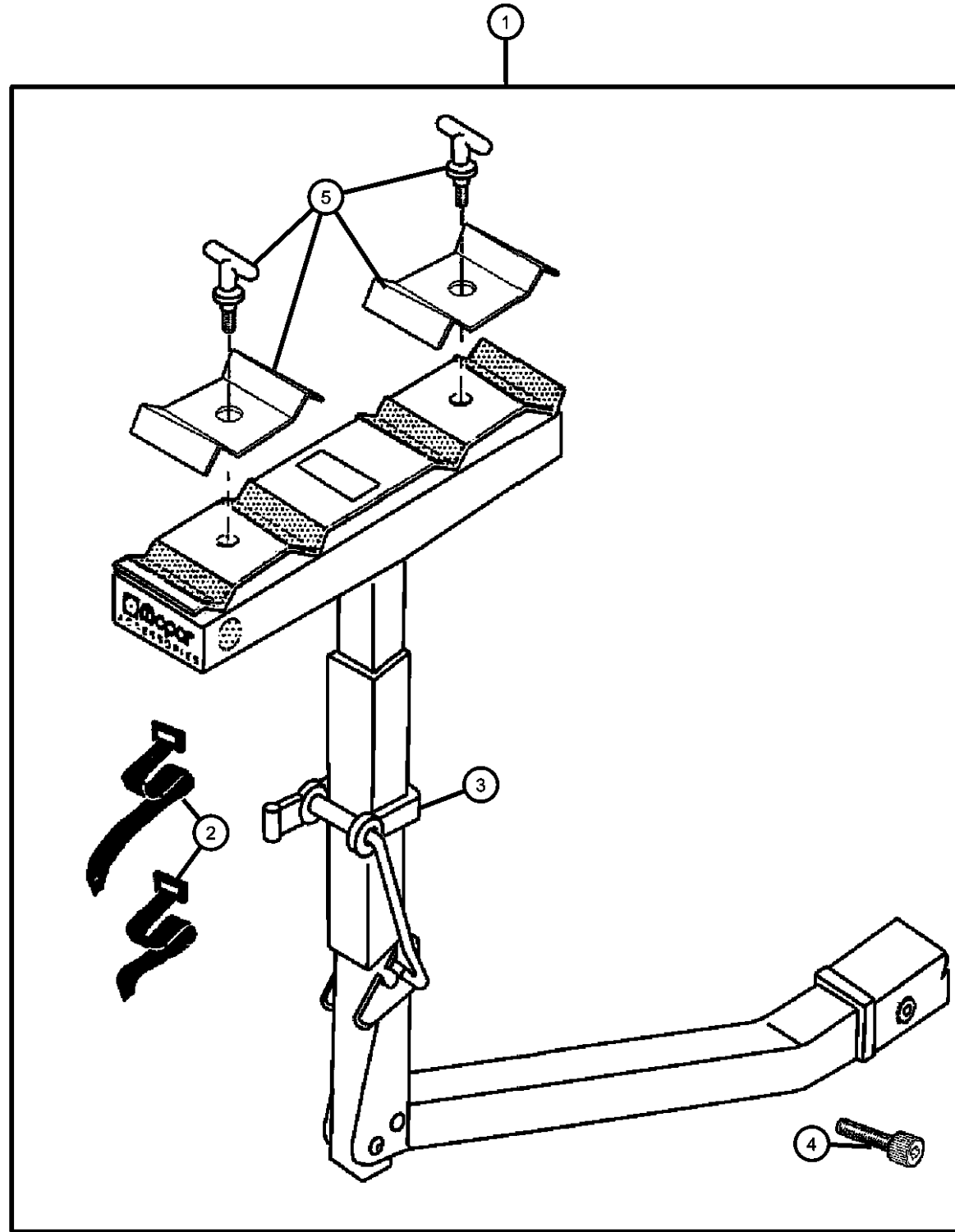
SERIES	LINE	BODY	ENGINE	TRANSMISSION
H = HIGHLINE	C = CHRYSLER	74 = SPORT UTILITY 4-DR	EGH = 3.8L V6 OHV Engine	DFF = 4-Speed Automatic VLP 41TE
S = SPORT	Y = CHRYSLER	TYPE #4	EGN = Engine - 3.5L V6 24V MPI	Trans
X = SPECIAL				DG2 = 6-Speed Automatic 62TE Transmission
				DGL = 4-Speed Automatic Transmission

AR = use ase required - = Non illustrated part

2007 CS



**Bike Carrier Hitch Mount, Four Bike  
Figure 1-211**



ITEM	PART NUMBER	QTY	LINE	SERIES	BODY	ENGINE	TRANS	TRIM	DESCRIPTION
1	82204328	1							CARRIER KIT, Bike, 2.0 Inch Receiver Hitch Required
2	04762880	1							STRAP KIT, Velcro
3	05016775AA	1							STRAP KIT, Bike Carrier Latch
4	05016776AA	1							BOLT KIT, Security
5	05018825AA	1							HARDWARE KIT, Bike Carrier, Contains: T-Handle, Lock Strap, Top Clamp Assy., Nylon Washer

**PACIFICA (CS)**

SERIES	LINE	BODY	ENGINE	TRANSMISSION
H = HIGHLINE	C = CHRYSLER	74 = SPORT UTILITY 4-DR	EGH = 3.8L V6 OHV Engine	DFF = 4-Speed Automatic VLP 41TE
S = SPORT	Y = CHRYSLER	TYPE #4	EGN = Engine - 3.5L V6 24V MPI	Trans
X = SPECIAL				DG2 = 6-Speed Automatic 62TE Transmission
				DGL = 4-Speed Automatic Transmission

AR = use ase required - = Non illustrated part

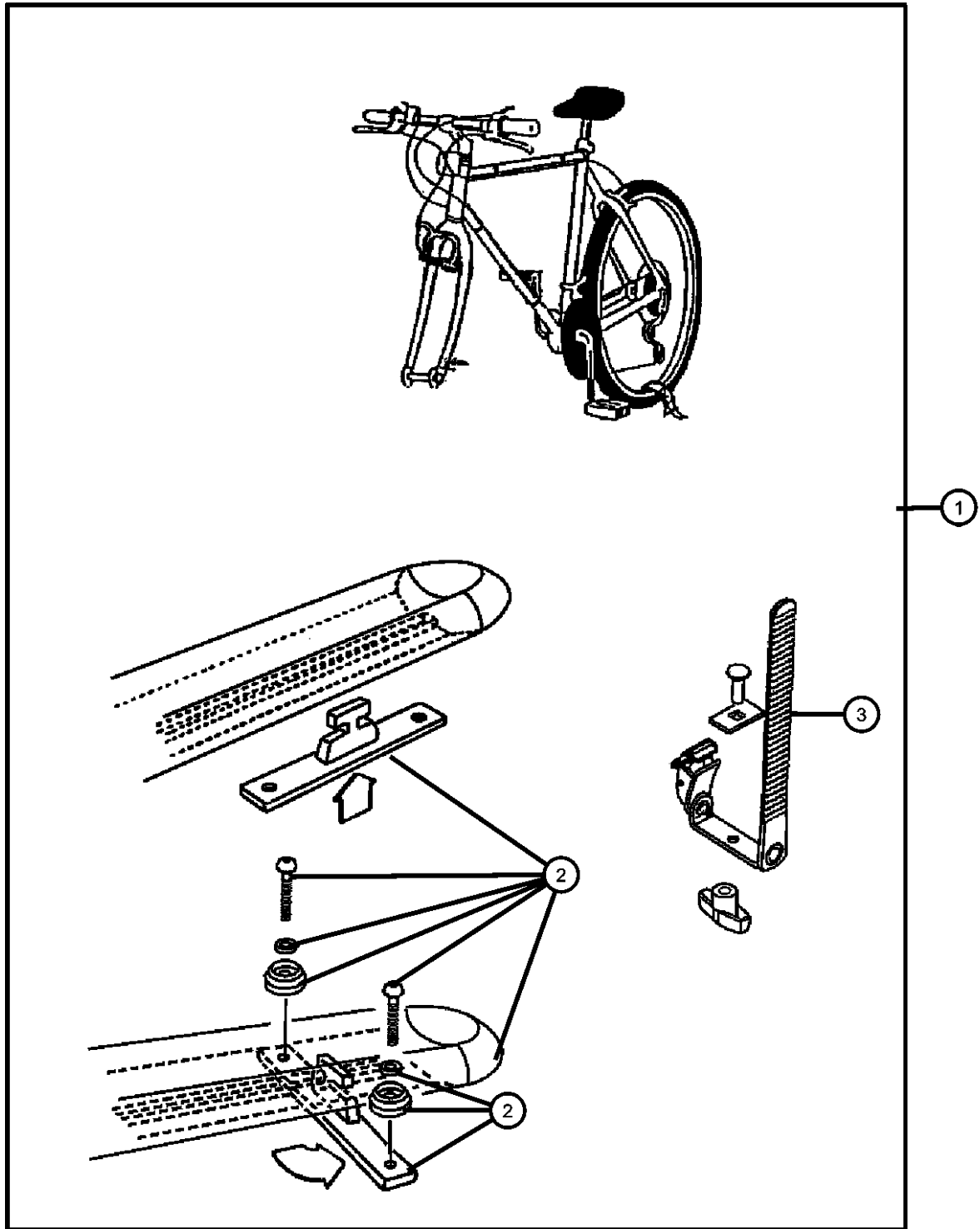
**Bike Carrier - Roof, Fork Mount Style  
Figure 1-212**

ITEM	PART NUMBER	QTY	LINE	SERIES	BODY	ENGINE	TRANS	TRIM	DESCRIPTION
------	-------------	-----	------	--------	------	--------	-------	------	-------------

NOTE: Hardware Kit also contained in Carrier Kit.

1	82207943	1							CARRIER KIT, Bike, Fork - Mount
2	05093779AA	1							HARDWARE KIT, Accessory, Contains: 2-T-Slot Anchors,2-Rear T-Slot Bar,4-Button Head Screws,2-Lockwashers,4-Round Dome Washers
3	05114532AA	1							STRAP, Cargo Tie Down

CARRIER KIT, Bike, Fork - Mount  
HARDWARE KIT, Accessory,  
Contains: 2-T-Slot Anchors,2-Rear  
T-Slot Bar,4-Button Head  
Screws,2-Lockwashers,4-Round  
Dome Washers  
STRAP, Cargo Tie Down



**PACIFICA (CS)**

SERIES      LINE  
H = HIGHLINE    C = CHRYSLER  
S = SPORT        Y = CHRYSLER  
X = SPECIAL

BODY  
74 = SPORT UTILITY 4-DR  
TYPE #4

ENGINE  
EGH = 3.8L V6 OHV Engine  
EGN = Engine - 3.5L V6 24V  
MPI

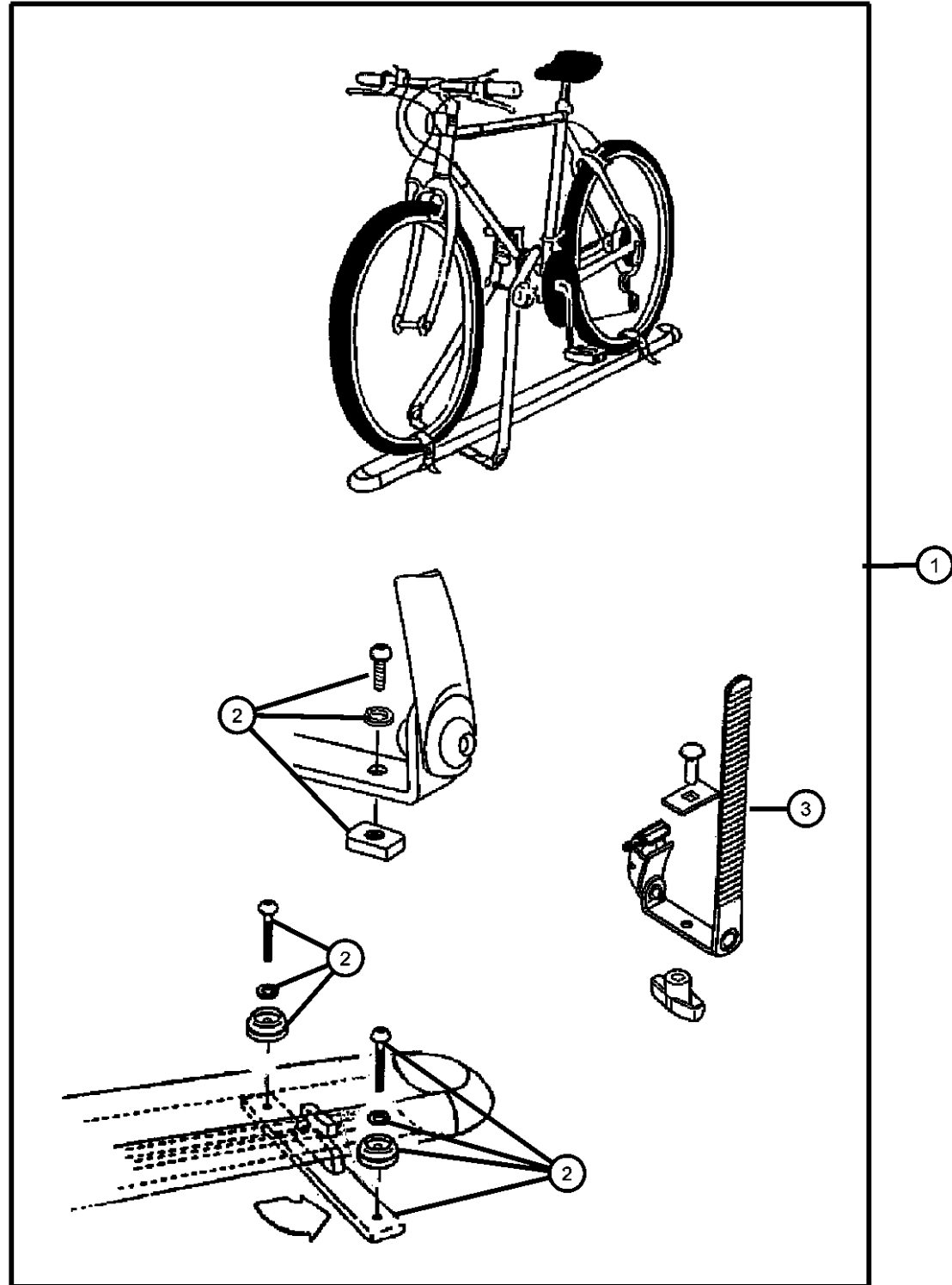
TRANSMISSION  
DFF = 4-Speed Automatic VLP 41TE  
Trans  
DG2 = 6-Speed Automatic 62TE  
Transmission  
DGL = 4-Speed Automatic  
Transmission

AR = use ase required - = Non illustrated part

2007 CS

**Bike Carrier - Roof Upright Mount Style  
Figure 1-214**

ITEM	PART NUMBER	QTY	LINE	SERIES	BODY	ENGINE	TRANS	TRIM	DESCRIPTION
1	82207942	1							CARRIER KIT, Bike, Upright - Mount
2	05093779AA	1							HARDWARE KIT, Accessory, Contains: 2-T-Slot Anchors,1-Rear T-Slot Bar,4-Button Head Screws,2-Lockwashers,4-Round Dome Washers
3	05114532AA	1							STRAP, Cargo Tie Down



**PACIFICA (CS)**

**SERIES**

H = HIGHLINE  
S = SPORT  
X = SPECIAL

**LINE**

C = CHRYSLER  
Y = CHRYSLER

**BODY**

74 = SPORT UTILITY 4-DR  
TYPE #4

**ENGINE**

EGH = 3.8L V6 OHV Engine  
EGN = Engine - 3.5L V6 24V  
MPI

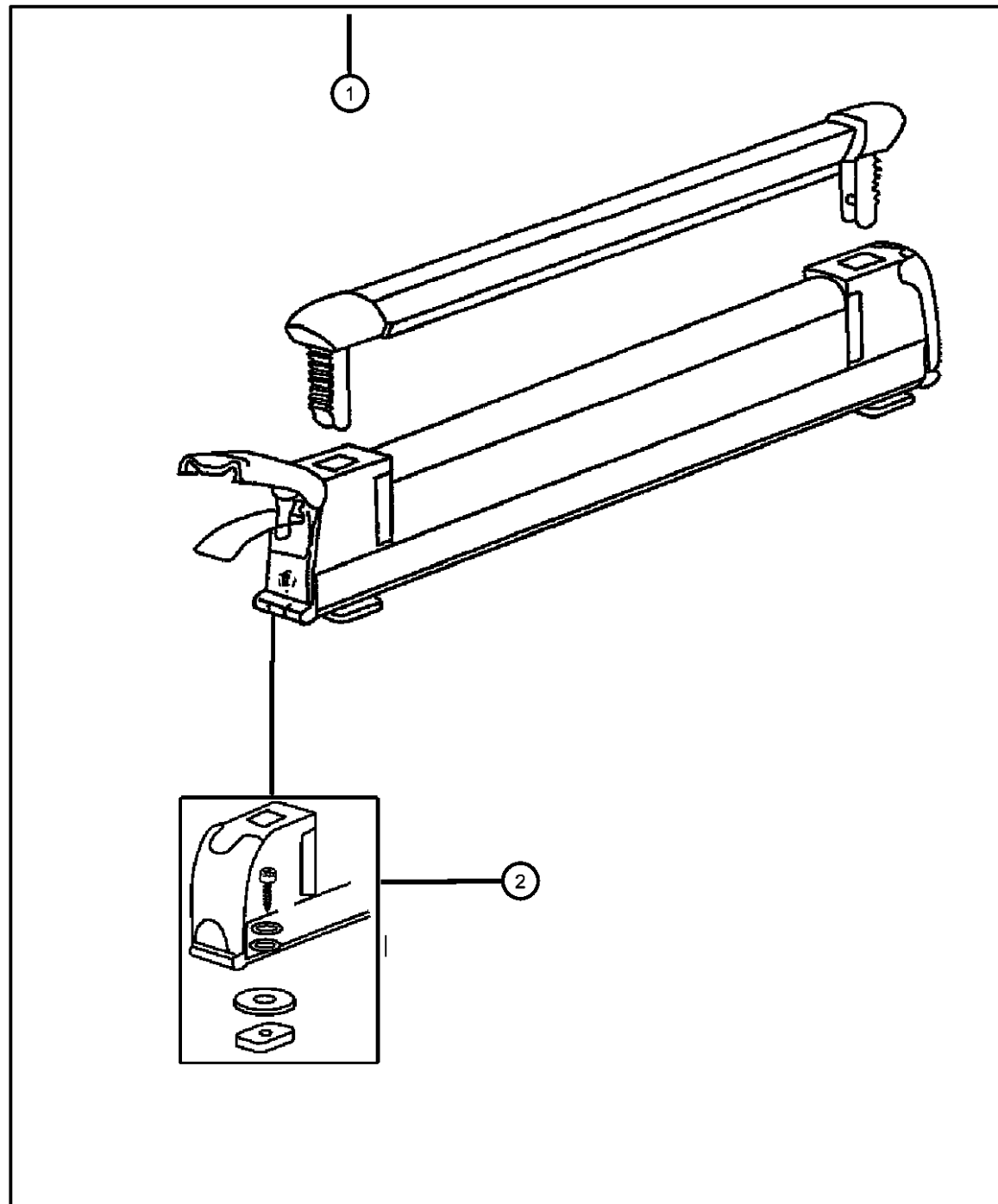
**TRANSMISSION**

DFF = 4-Speed Automatic VLP 41TE  
Trans  
DG2 = 6-Speed Automatic 62TE  
Transmission  
DGL = 4-Speed Automatic  
Transmission

AR = use ase required - = Non illustrated part

2007 CS

Ski Carrier - Roof  
Figure 1-224



ITEM	PART NUMBER	QTY	LINE	SERIES	BODY	ENGINE	TRANS	TRIM	DESCRIPTION
1	82207308	1							CARRIER KIT, Ski
	82207312	1							6 Pair or 3 Snowboards
									3 Pair or 2 Snowboards
2	05086158AA	1							HARDWARE KIT, Accessory, Contains: 4 -25MM Screws, 4 -20MM Screws, 4 - 16MM Screws, 4 - Lock Washers, 4 - Flat Washers, 4 - T Plates, 4 - Rubber Washers
-3	05066632AA	1							TOOL, Screw Driver

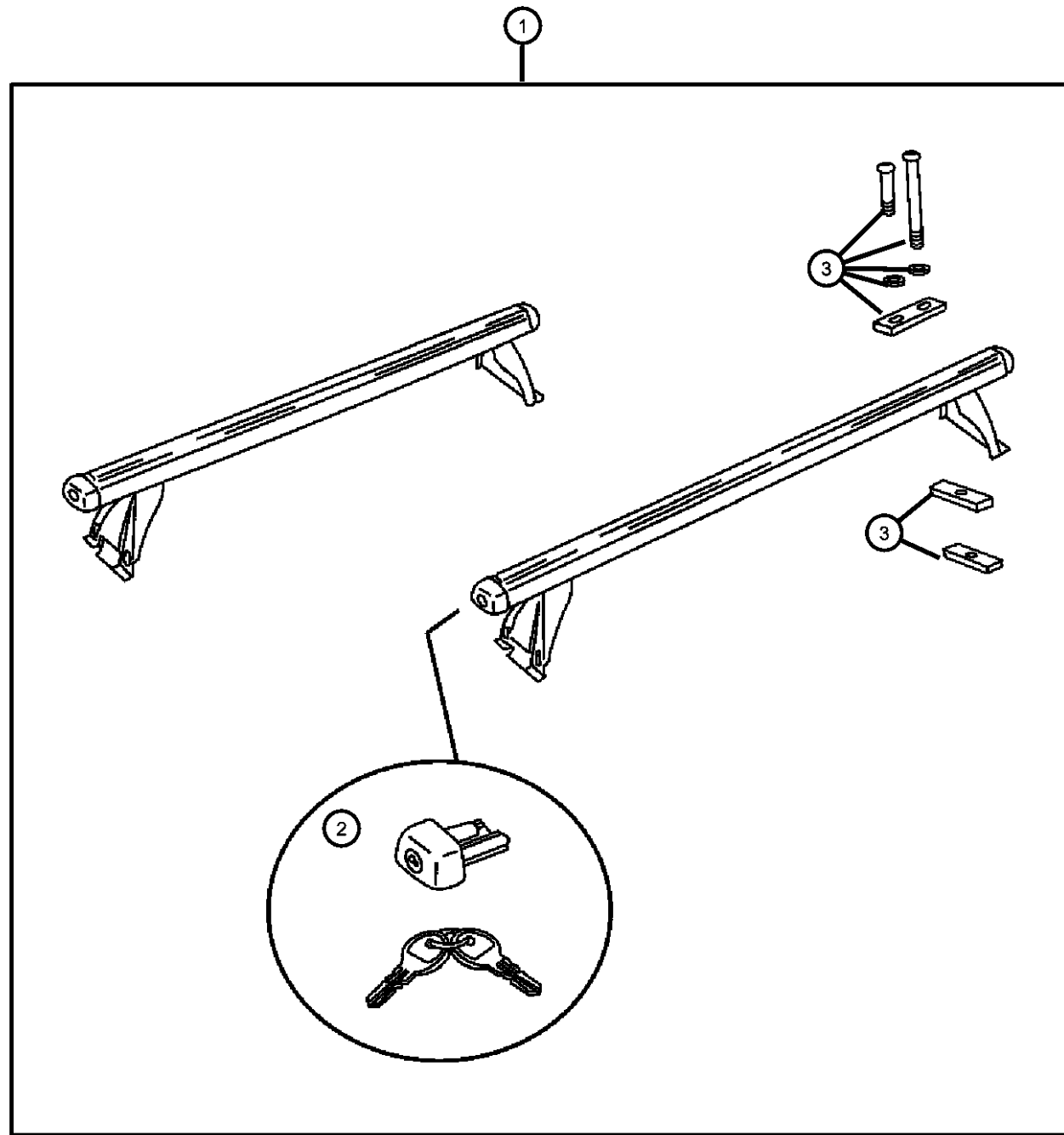
PACIFICA (CS)

SERIES	LINE	BODY	ENGINE	TRANSMISSION
H = HIGHLINE	C = CHRYSLER	74 = SPORT UTILITY 4-DR	EGH = 3.8L V6 OHV Engine	DFF = 4-Speed Automatic VLP 41TE
S = SPORT	Y = CHRYSLER	TYPE #4	EGN = Engine - 3.5L V6 24V	Trans
X = SPECIAL			MPI	DG2 = 6-Speed Automatic 62TE
				Transmission
				DGL = 4-Speed Automatic
				Transmission

AR = use ase required - = Non illustrated part

2007 CS

Rack Kit - Roof  
Figure 1-230



ITEM	PART NUMBER	QTY	LINE	SERIES	BODY	ENGINE	TRANS	TRIM	DESCRIPTION
1	82207944	1							RACK KIT, Multipurpose
2	05072276AA	1							END CAP, Roof Rack Side Rail
3	05066452AA	1							HARDWARE KIT, ROOF RACK, Contains: Clamp,Spacer,Both Kinds of Support,Washer,Security Bolt,4-End Caps,& 8-Pan Head Screws
-4	05066632AA	1							TOOL, Screw Driver

PACIFICA (CS)

SERIES      LINE  
H = HIGHLINE    C = CHRYSLER  
S = SPORT        Y = CHRYSLER  
X = SPECIAL

BODY  
74 = SPORT UTILITY 4-DR  
TYPE #4

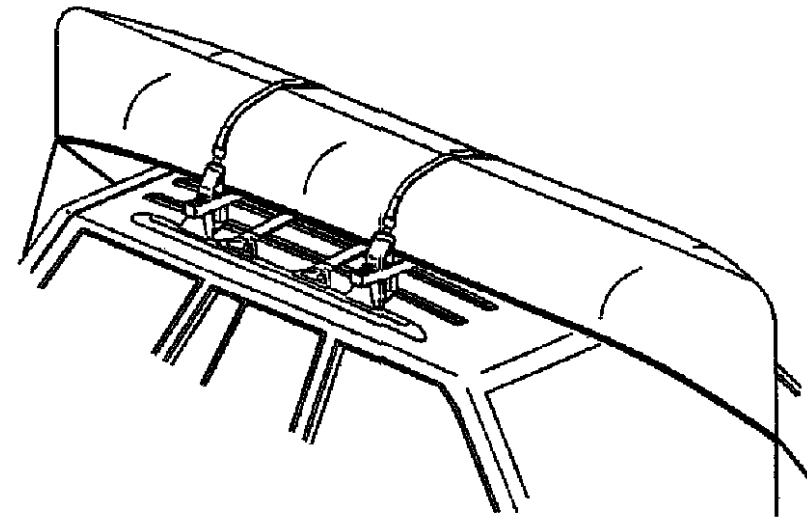
ENGINE  
EGH = 3.8L V6 OHV Engine  
EGN = Engine - 3.5L V6 24V  
MPI

TRANSMISSION  
DFF = 4-Speed Automatic VLP 41TE  
Trans  
DG2 = 6-Speed Automatic 62TE  
Transmission  
DGL = 4-Speed Automatic  
Transmission

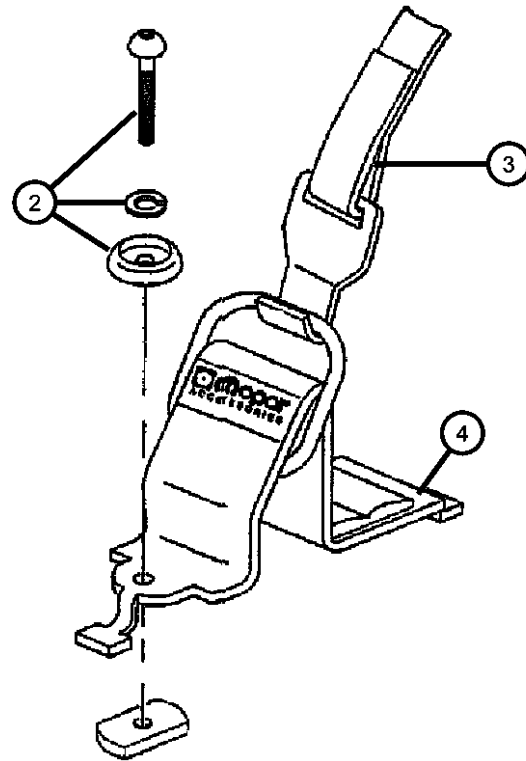
AR = use ase required - = Non illustrated part

2007 CS

Carrier Kit Roof - Canoe  
Figure 1-231



ITEM	PART NUMBER	QTY	LINE	SERIES	BODY	ENGINE	TRANS	TRIM	DESCRIPTION
1	82204700	1							CARRIER KIT, Canoe
2	05016389AA	1							HARDWARE KIT, Accessory, Contains: 4-25MM Button Head Screws,4-30MM Button Head Screws,4-Lock Washers,4-Dome Washers,4-Rubber Washers & 4-T-Nuts
3	05016511AA	1							STRAP, Cargo Tie Down
4	05016511AA	1							BRACKET, Cargo Tie Down, Serviced With Carrier Kit, (NOT SERVICED)



PACIFICA (CS)

SERIES

H = HIGHLINE

S = SPORT

X = SPECIAL

LINE

C = CHRYSLER

Y = CHRYSLER

BODY

74 = SPORT UTILITY 4-DR

TYPE #4

ENGINE

EGH = 3.8L V6 OHV Engine

EGN = Engine - 3.5L V6 24V

MPI

TRANSMISSION

DFF = 4-Speed Automatic VLP 41TE

Trans

DG2 = 6-Speed Automatic 62TE

Transmission

DGL = 4-Speed Automatic

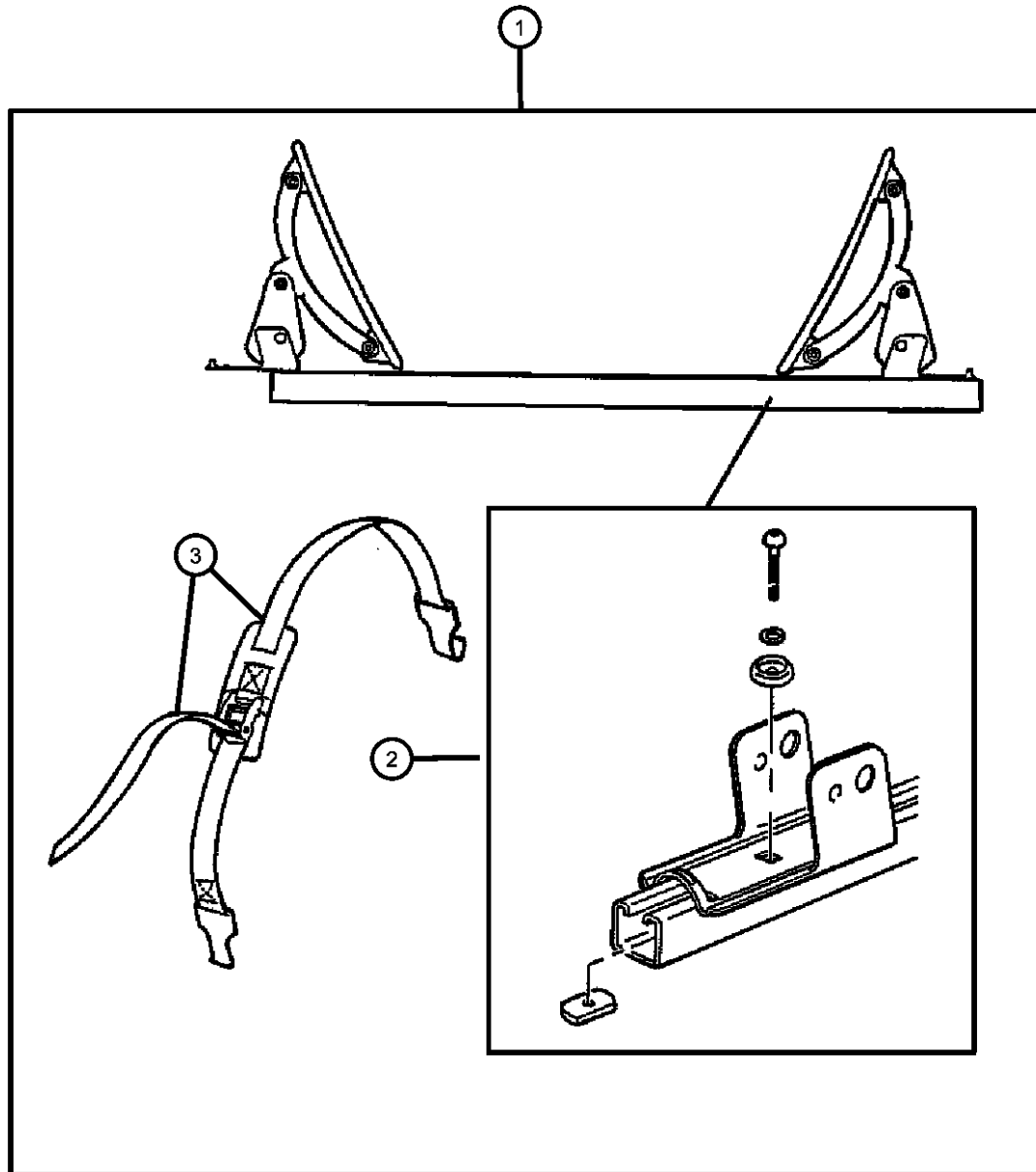
Transmission

AR = use ase required - = Non illustrated part

2007 CS

Carrier Kit Roof - Water Sports  
Figure 1-232

ITEM	PART NUMBER	QTY	LINE	SERIES	BODY	ENGINE	TRANS	TRIM	DESCRIPTION
1	82205416	1							CARRIER KIT, Water Sports
2	05016389AA	1							HARDWARE KIT, Accessory, Contains: 4-25MM Button Head Screws,4-30MM Button Head Screws,4-Lock Washers, 4-Dome Washer, 4-Rubber Washers & 4-T-Nuts
3	05016511AA	1							STRAP, Cargo Tie Down



PACIFICA (CS)

SERIES

H = HIGHLINE  
S = SPORT  
X = SPECIAL

LINE

C = CHRYSLER  
Y = CHRYSLER

BODY

74 = SPORT UTILITY 4-DR  
TYPE #4

ENGINE

EGH = 3.8L V6 OHV Engine  
EGN = Engine - 3.5L V6 24V  
MPI

TRANSMISSION

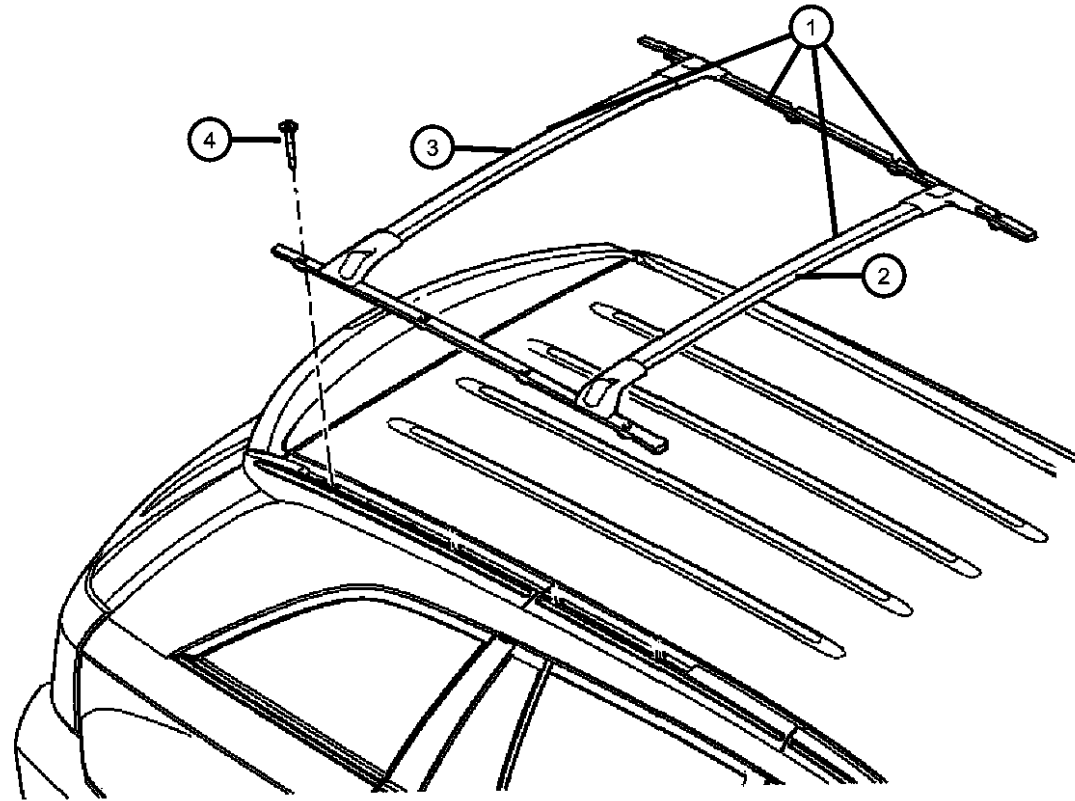
DFF = 4-Speed Automatic VLP 41TE  
Trans  
DG2 = 6-Speed Automatic 62TE  
Transmission  
DGL = 4-Speed Automatic  
Transmission

AR = use ase required - = Non illustrated part

2007 CS

Rack Kit - Multi-Purpose  
Figure 1-234

ITEM	PART NUMBER	QTY	LINE	SERIES	BODY	ENGINE	TRANS	TRIM	DESCRIPTION
1	82207950	1							RACK KIT, Multipurpose
2	04857769AE	1							RAIL, LUGG RACK CROSS
3	04857768AE	1							RAIL, LUGG RACK CROSS
4	04857752AB	1							SCREW



**PACIFICA (CS)**

SERIES

H = HIGHLINE  
S = SPORT  
X = SPECIAL

LINE

C = CHRYSLER  
Y = CHRYSLER

BODY

74 = SPORT UTILITY 4-DR  
TYPE #4

ENGINE

EGH = 3.8L V6 OHV Engine  
EGN = Engine - 3.5L V6 24V  
MPI

TRANSMISSION

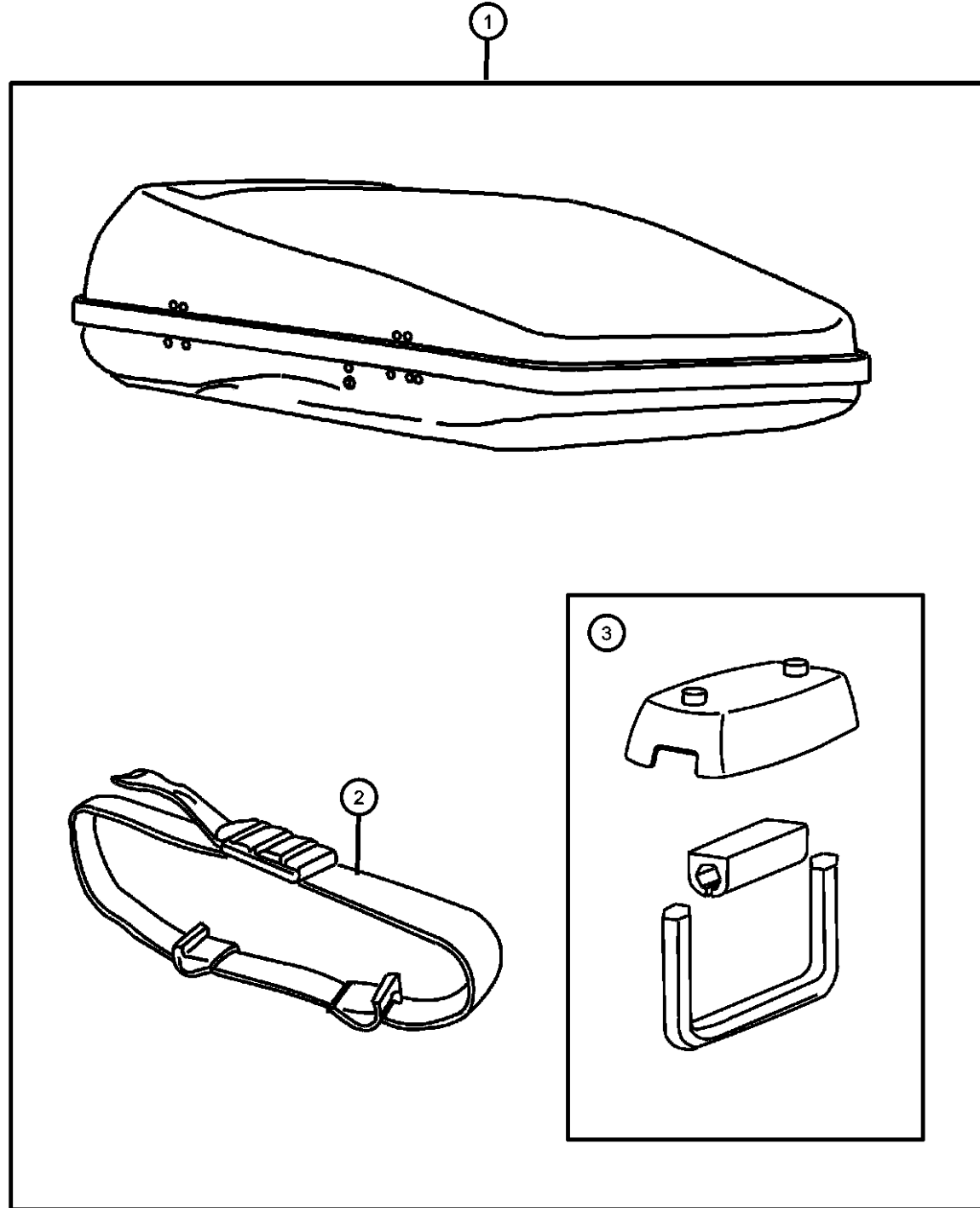
DFF = 4-Speed Automatic VLP 41TE  
Trans  
DG2 = 6-Speed Automatic 62TE  
Transmission  
DGL = 4-Speed Automatic  
Transmission

AR = use ase required - = Non illustrated part

2007 CS



Luggage Carrier  
Figure 1-235



ITEM	PART NUMBER	QTY	LINE	SERIES	BODY	ENGINE	TRANS	TRIM	DESCRIPTION
1	82207353AB	1							CARRIER KIT, Luggage, 440 Liter Capacity
2	05086160AA	1							STRAP, Cargo Tie Down
3	05086159AA	1							HARDWARE KIT, Contains: 4-U-Bolts,4-Covers & 4-Protective Sleeves

**PACIFICA (CS)**

SERIES

H = HIGHLINE

S = SPORT

X = SPECIAL

LINE

C = CHRYSLER

Y = CHRYSLER

BODY

74 = SPORT UTILITY 4-DR

TYPE #4

ENGINE

EGH = 3.8L V6 OHV Engine

EGN = Engine - 3.5L V6 24V

MPI

TRANSMISSION

DFF = 4-Speed Automatic VLP 41TE

Trans

DG2 = 6-Speed Automatic 62TE

Transmission

DGL = 4-Speed Automatic

Transmission

AR = use ase required - = Non illustrated part

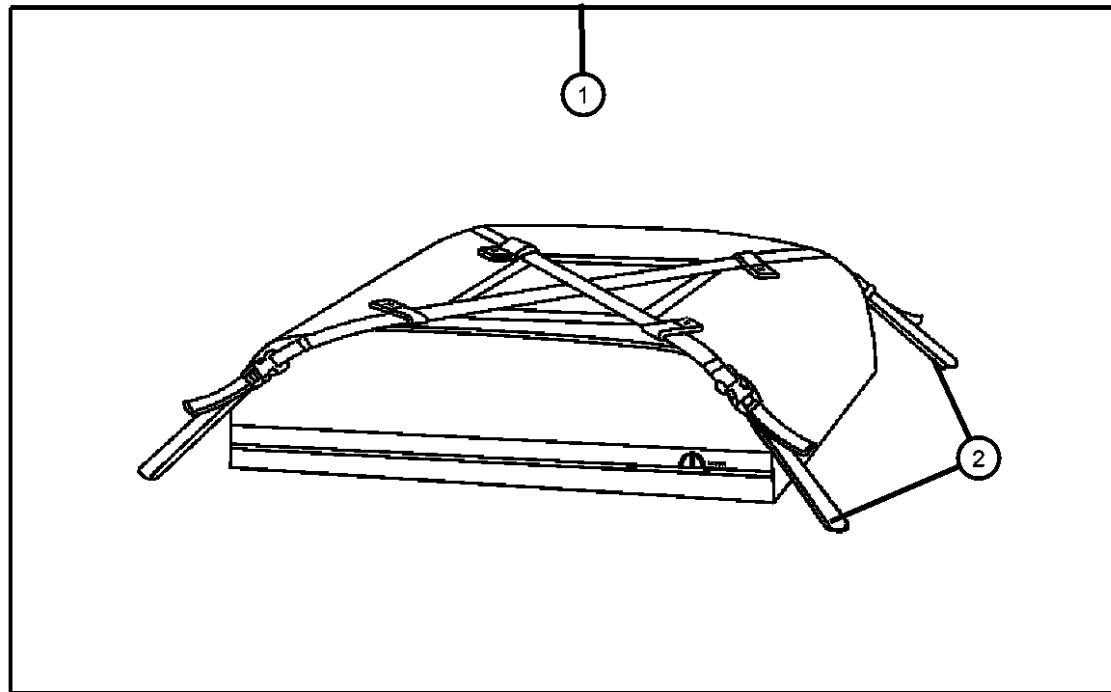
2007 CS

Luggage Carrier Roof, Vinyl  
Figure 1-236

ITEM	PART NUMBER	QTY	LINE	SERIES	BODY	ENGINE	TRANS	TRIM	DESCRIPTION
------	-------------	-----	------	--------	------	--------	-------	------	-------------

Note; Sport Utility or Production Rack Required

1	82208301	1							CARRIER KIT, Luggage, 29 inch x 46 inch x 15 inch
2	05066332AA	1							STRAP KIT, Luggage Carrier



**PACIFICA (CS)**

SERIES	LINE	BODY	ENGINE	TRANSMISSION
H = HIGHLINE	C = CHRYSLER	74 = SPORT UTILITY 4-DR	EGH = 3.8L V6 OHV Engine	DFF = 4-Speed Automatic VLP 41TE
S = SPORT	Y = CHRYSLER	TYPE #4	EGN = Engine - 3.5L V6 24V MPI	Trans
X = SPECIAL				DG2 = 6-Speed Automatic 62TE Transmission
				DGL = 4-Speed Automatic Transmission

AR = use ase required - = Non illustrated part

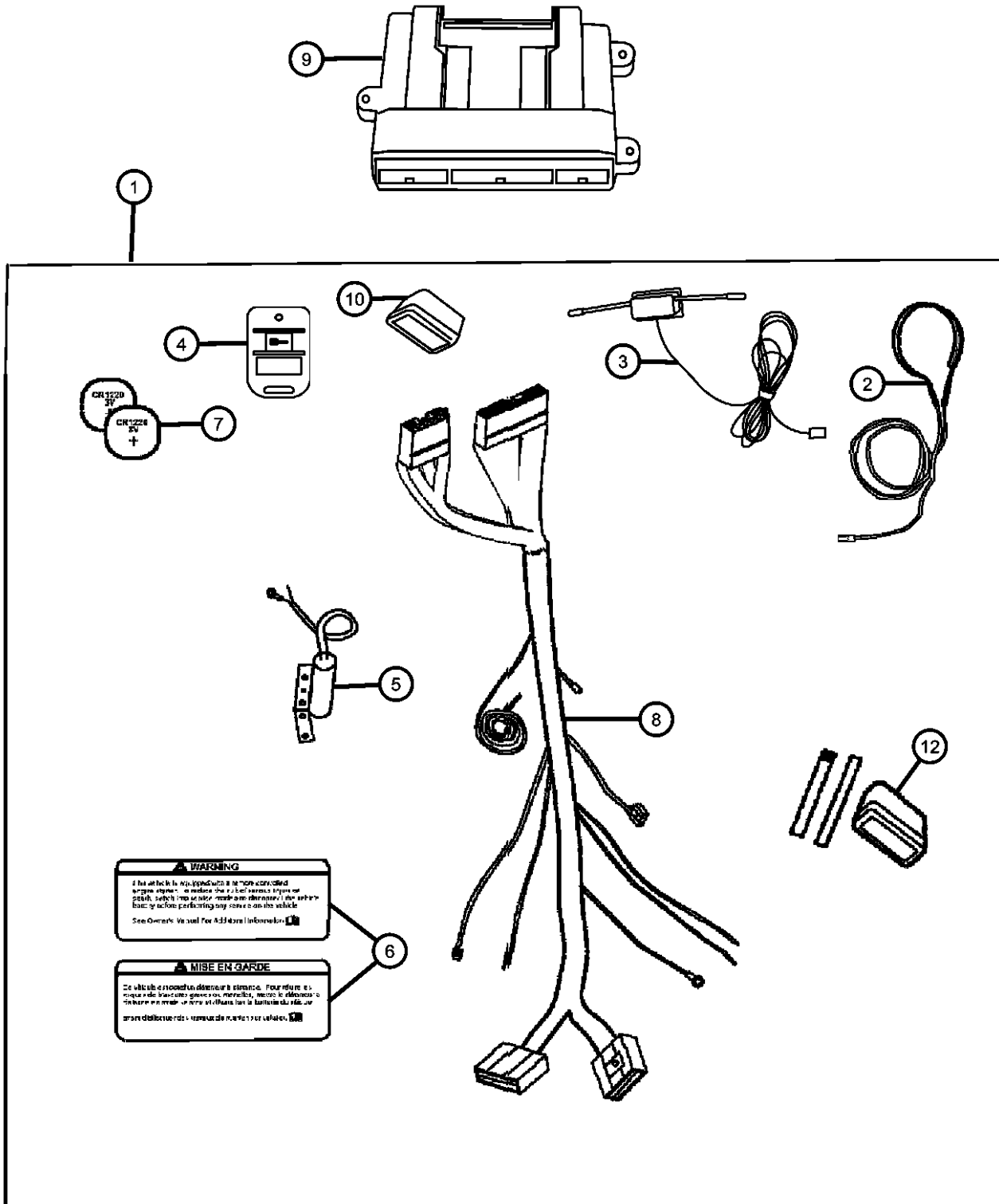
2007 CS

Remote Start  
Figure 1-310

ITEM	PART NUMBER	QTY	LINE	SERIES	BODY	ENGINE	TRANS	TRIM	DESCRIPTION
------	-------------	-----	------	--------	------	--------	-------	------	-------------

NOTE: Module (Item # 9) not included in install kit, need to order separately.

1	82208861AE	1							INSTALL KIT, REMOTE START
2	05140470AA	1							ANTENNA
3	05140471AA	1							ANTENNA
4	05140472AA	1							TRANSMITTER
5	05140473AD	1							SWITCH
6	05140474AA	1							LABEL
7	05140773AA	1							BATTERY, Transmitter, Contains: 12 Replacement Batteries
8	05179432AA	1							HARNESS, Wiring
9	82208859AB	1							MODULE KIT, REMOTE START
10	05140464AA	1							MODULE, Remote Start
-11	05140465AB	1							MODULE, Remote Start
12	05140468AA	1							MODULE



PACIFICA (CS)

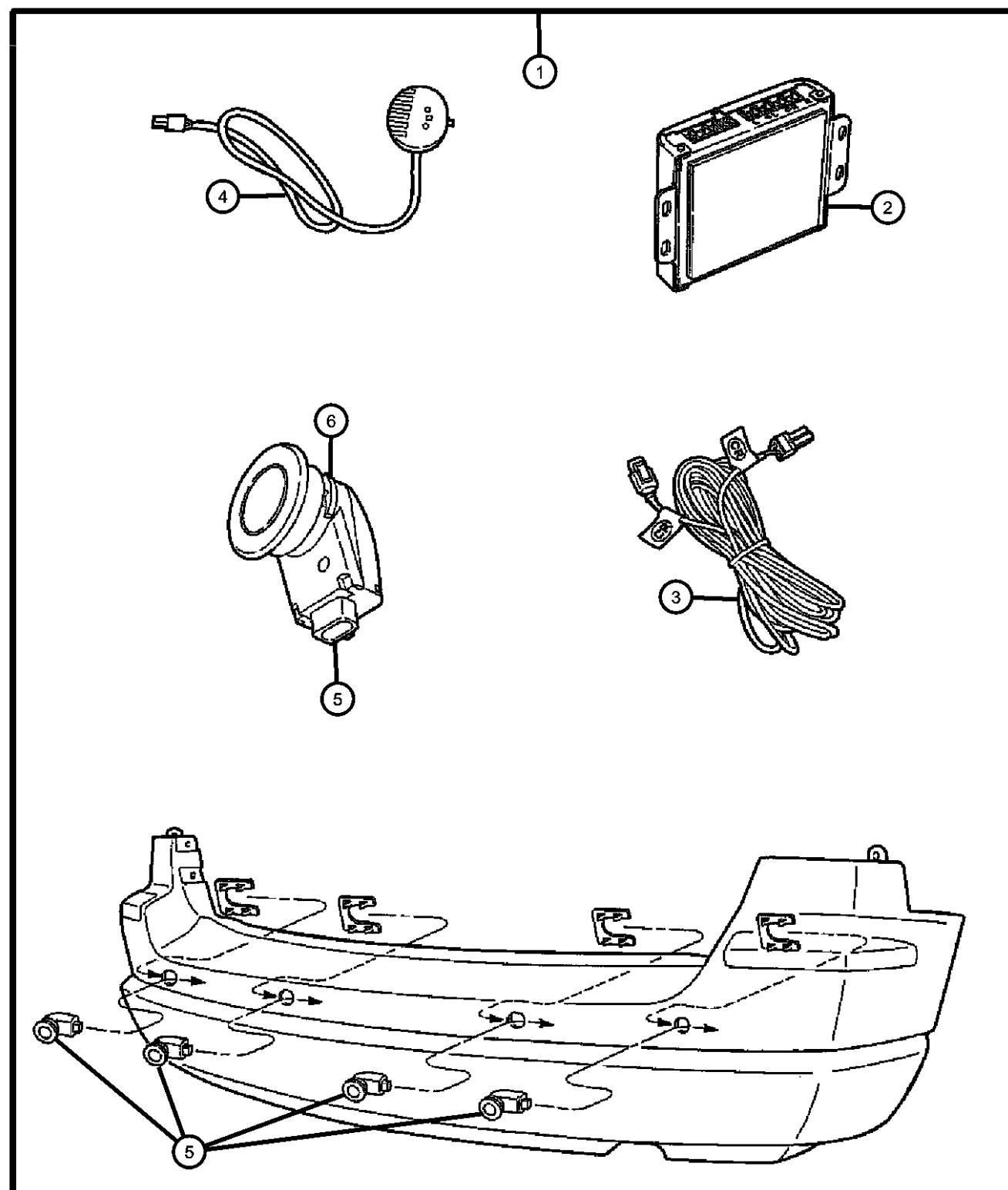
SERIES	LINE	BODY	ENGINE	TRANSMISSION
H = HIGHLINE	C = CHRYSLER	74 = SPORT UTILITY 4-DR	EGH = 3.8L V6 OHV Engine	DFF = 4-Speed Automatic VLP 41TE
S = SPORT	Y = CHRYSLER	TYPE #4	EGN = Engine - 3.5L V6 24V MPI	Trans
X = SPECIAL				DG2 = 6-Speed Automatic 62TE
				Transmission
				DGL = 4-Speed Automatic
				Transmission

AR = use ase required - = Non illustrated part

2007 CS

Sensor Kit - Parking Distance

Figure 1-320



ITEM	PART NUMBER	QTY	LINE	SERIES	BODY	ENGINE	TRANS	TRIM	DESCRIPTION
1	82208246AD	1							SENSOR KIT, Park Distance
2	05137541AA	1							MODULE, Parking Assist
3	05137540AA	1							WIRING, Distance Sensor
4	05137539AA	1							DISPLAY, Parking Assist
5	05137536AA	1							SENSOR
6	05191116AA	1							CLIP, Retainer

PACIFICA (CS)

SERIES	LINE	BODY	ENGINE	TRANSMISSION
H = HIGHLINE	C = CHRYSLER	74 = SPORT UTILITY 4-DR	EGH = 3.8L V6 OHV Engine	DFF = 4-Speed Automatic VLP 41TE
S = SPORT	Y = CHRYSLER	TYPE #4	EGN = Engine - 3.5L V6 24V MPI	Trans
X = SPECIAL				DG2 = 6-Speed Automatic 62TE Transmission
				DGL = 4-Speed Automatic Transmission

AR = use ase required - = Non illustrated part