

## VIN PLATE DECODING INFORMATION

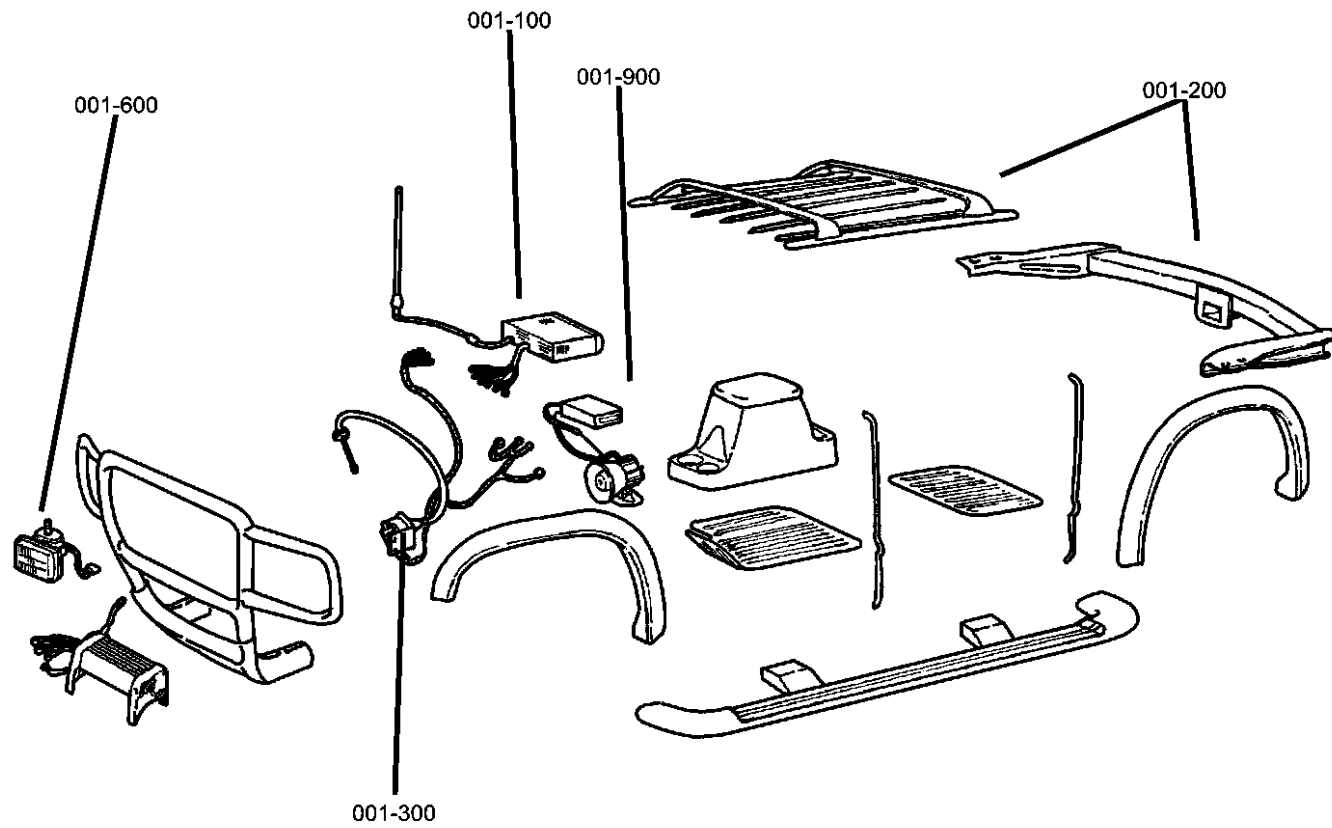
1	2	3	4	5	6	7	8	9	10	11	12 thru 17
Country	Make	Vehicle Type	Other	Line	Series	Body Style	Engine	Check Digit	Model Year	Assy. Plant	Sequence No.

The following table interprets the VIN Plate position shown above.

Position	Interpretation	Codes = Description
1	Country of Origin	2 = Built by DaimlerChrysler Canada
2	Assembler	C = Chrysler
3	Vehicle Type	4 = Multipurpose Passenger Vehicle
4	GVWR & Pass. Safety	E = 3001 - 4000 lbs F = 4001 - 5000 lbs G = 5001-6000lbs (2269-2721KGS) H = 6001 - 7000 lbs J = 7001 - 8000 lbs K = 8001 - 9000 lbs L = 9001 - 10000 lbs
5	Vehicle Line	M = Pacifica (FWD) F = Pacifica (AWD)
6	Series	4 = Pacifica FWD/AWD 6 = Pacifica Touring FWD/AWD 7 = Pacifica Limited AWD
7	Body Style	8 = CS - 74
8	Engine	4 = 3.5L 6Cyl. Gas (EGN) L = 3.8L 6Cyl. SMPI (EGH)
9	Check Digit	0 = Check Digit 0 = Check Digit 0 = Check Digit
10	Model Year	5 = 2005
11	Assembly Plant	R = Windsor Assembly
12 thru 17	Vehicle Build Sequence	Model Year Assembly Sequence

# Group - 1

## Component Parts for Mopar Accessories



## Group - 1 Component Parts for Mopar Accessories

Group-Fig. No.

Illustration Title

### Audio & Electronics

Satellite Receiver Kit.....	Fig. 1 - 120
Install Kit, Satellite Receiver.....	Fig. 1 - 140
Media System - With and Without DVD .....	Fig. 1 - 150

### Carriers & Cargo Hauling

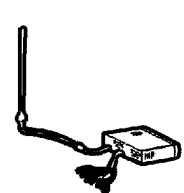
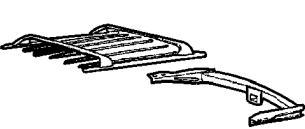


Bike Carrier - Hitch Mount Two Bike.....	Fig. 1 - 210
Bike Carrier Hitch Mount, Four Bike .....	Fig. 1 - 211
Bike Carrier - Roof, Fork Mount Style .....	Fig. 1 - 212
Bike Carrier - Roof Upright Mount Style .....	Fig. 1 - 214
Ski Carrier - Roof.....	Fig. 1 - 224
Ski Carrier - Hitch Mounted.....	Fig. 1 - 225
Rack Kit - Roof .....	Fig. 1 - 230
Carrier Kit Roof - Canoe .....	Fig. 1 - 231
Carrier Kit Roof - Water Sports.....	Fig. 1 - 232
Luggage Carrier.....	Fig. 1 - 235
Luggage Carrier Roof, Vinyl.....	Fig. 1 - 274

### Driving Convenience

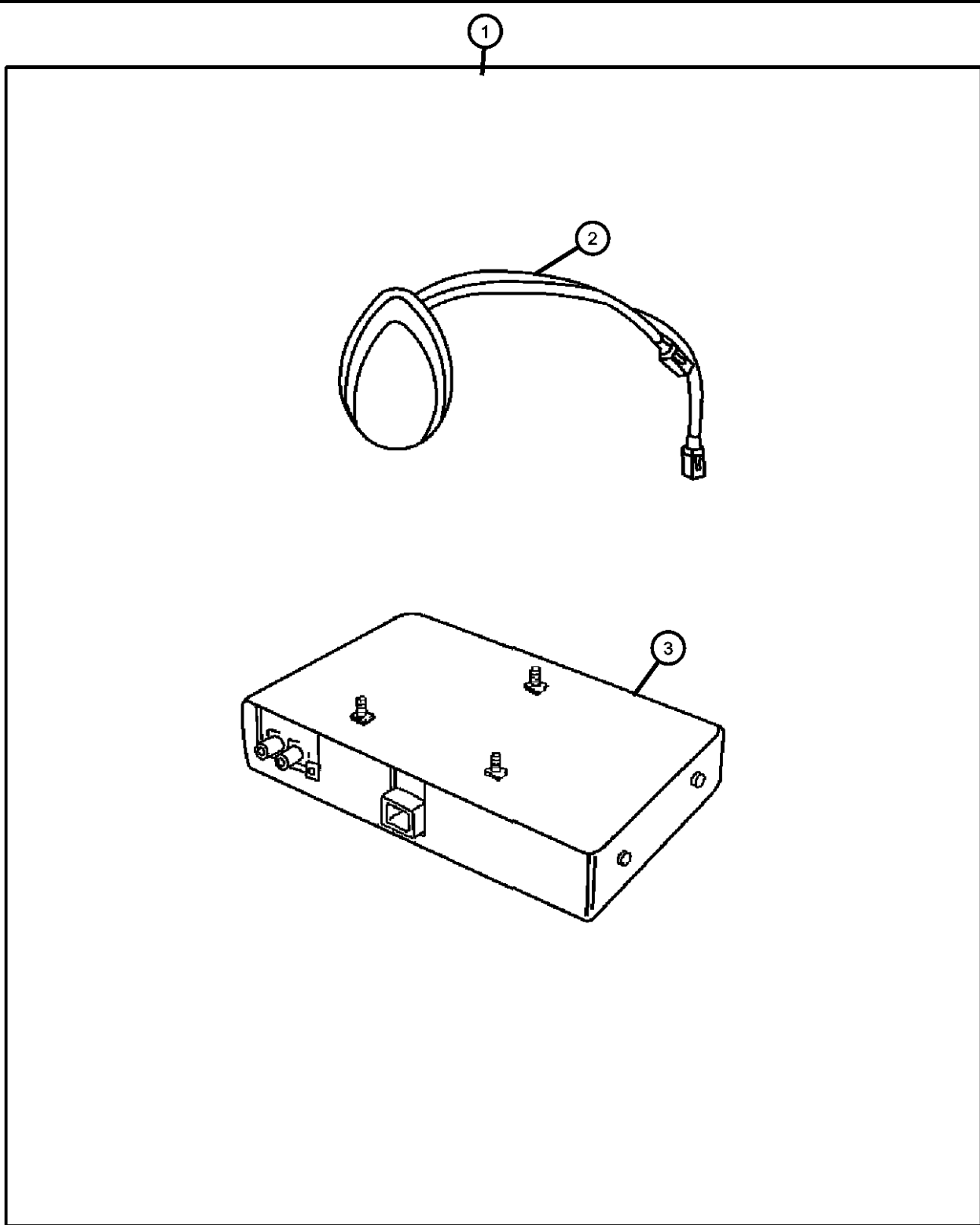
Remote Start - Installation Kit .....	Fig. 1 - 310
Sensor Kit - Parking Distance .....	Fig. 1 - 320
Hands Free Kit/ Cellular Phone Blue Tooth .....	Fig. 1 - 330

### Fog Lights & Electrical

Heater Kit / Engine Block.....	Fig. 1 - 610
--------------------------------	--------------

<p><b>001-100</b> Audio &amp; Electronics</p> 	<p><b>001-200</b> Carriers &amp; Cargo Hauling</p> 	<p><b>001-300</b> Driving Convenience</p> 	<p><b>001-600</b> Fog Lights &amp; Electrical</p> 
---	--	--	---

**Satellite Receiver Kit  
Figure 1-120**



ITEM	PART NUMBER	QTY	LINE	SERIES	BODY	ENGINE	TRANS	TRIM	DESCRIPTION
------	-------------	-----	------	--------	------	--------	-------	------	-------------

Note: For Warranty Repair On Item 3, Order Using Z Prefix

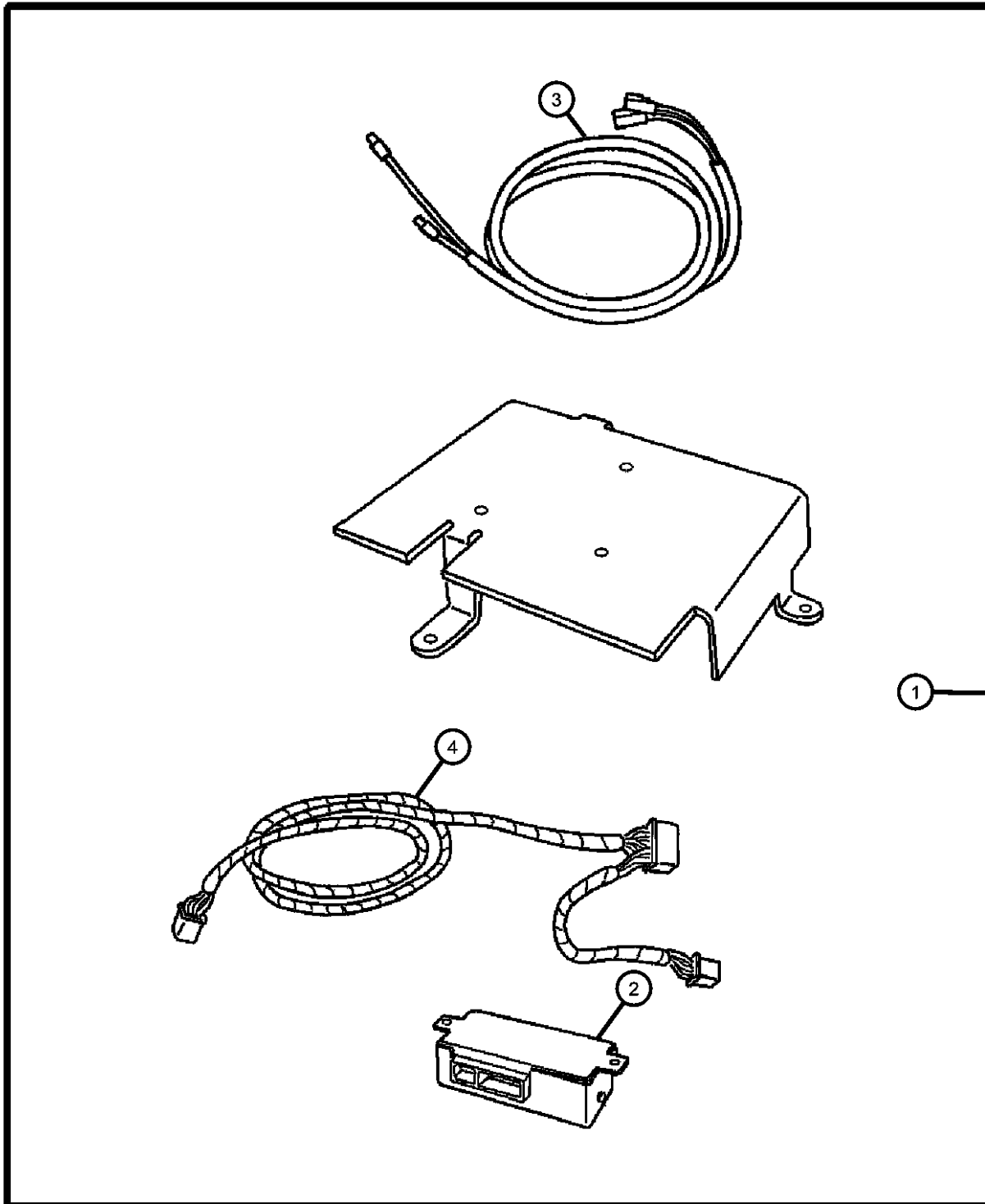
1	82206488AB	1							RECEIVER, Satellite
2	05066205AC	1							ANTENNA, Satellite
3	05064020AJ	1							RECEIVER, Satellite
-4	05066204AA	1							WIRING, CD to MUX

**PACIFICA (CS)**

SERIES	LINE	BODY	ENGINE	TRANSMISSION
H = HIGHLINE	C = CHRYSLER	74 = SPORT UTILITY 4-DR	EGR = Engine - 3.5L V6 24V MPI	DGL = Transmission - 4-Spd. Automatic
S = SPORT	Y = CHRYSLER		EGH = Engine - 3.8L V6 OHV	
X = SPECIAL				

AR = use ase required - = Non illustrated part

**Install Kit, Satellite Receiver  
Figure 1-140**



ITEM	PART NUMBER	QTY	LINE	SERIES	BODY	ENGINE	TRANS	TRIM	DESCRIPTION
1	82208609	1							INSTALL KIT, Satelite Receiver
2	05059112AC	1							MODULE, Radio Control
3	05066207AB	1							CABLE, Antenna
4	05086643AA	1							WIRING, Rcvr to Radio

**PACIFICA (CS)**

SERIES      LINE  
H = HIGHLINE    C = CHRYSLER  
S = SPORT        Y = CHRYSLER  
X = SPECIAL

BODY  
74 = SPORT UTILITY 4-DR

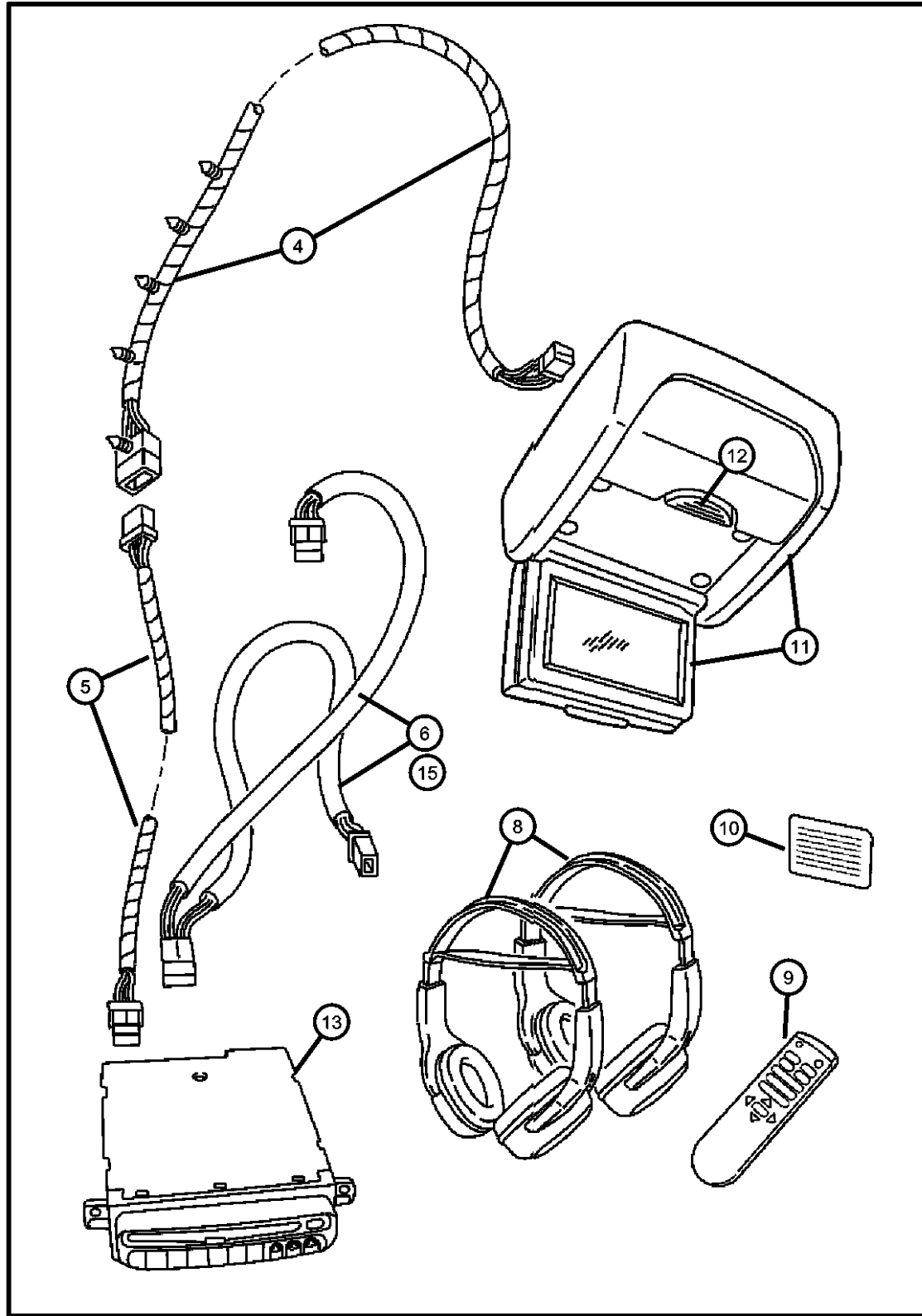
ENGINE  
EGN = Engine - 3.5L V6 24V MPI  
EGH = Engine - 3.8L V6 OHV

TRANSMISSION  
DGL = Transmission - 4-Spd. Automatic

AR = use ase required    - = Non illustrated part

2005 CS

**Media System - With and Without DVD**  
**Figure 1-150**



ITEM	PART NUMBER	QTY	LINE	SERIES	BODY	ENGINE	TRANS	TRIM	DESCRIPTION
------	-------------	-----	------	--------	------	--------	-------	------	-------------

Note: For Warranty Repair on Item 11, Order Using Z Prefix

1	82208813	1							MEDIA SYSTEM, Monitor w/o DVD
2									MEDIA SYSTEM, Monitor with DVD
	82207511	1							
	82208812	1							[XRW] Rear Seat Video System Prep.
-3	05143562AA	1							LENS, Infrared
4									WIRING, DVD to Screen
	04868754AA	1							W/ DVD
		1							W/O DVD
	04869373AB	1							W/ DVD W/Prep Package
5									WIRING, DVD Jumper
	04868763AA	1							W/O DVD
		1							W/ DVD
	04869298AB	1							W/ DVD W/ Prep Package
6									WIRING, DVD Jumper
	04869388AB	1							W/ DVD
		1							W/O DVD
-7	05096052AA	1							WIRING, DVD to Auxiliary Jack
8									HEADPHONES, Wireless
	05064037AA	1							W/O DVD
		1							W/ DVD
9									REMOTE, Wireless Infrared
	05094043AA	1							W/O DVD
		1							W/ DVD
10									LABEL, Mercury Warning
	05020533AA	1							W/ DVD W/ Prep Package
		1							W/O DVD
		1							W/ DVD
11									HOUSING, Monitor
	05135242AA	1							With XRW & Without RDV
	05135243AA	1							With XRW & With RDV
	0ZW92TL2AB	1							
12									LATCH KIT, Video Screen
	05096085AB	1							W/ DVD W/ Prep Package
	05135244AA	1							W/ DVD

**PACIFICA (CS)**

SERIES      LINE  
H = HIGHLINE    C = CHRYSLER  
S = SPORT        Y = CHRYSLER  
X = SPECIAL

BODY  
74 = SPORT UTILITY 4-DR

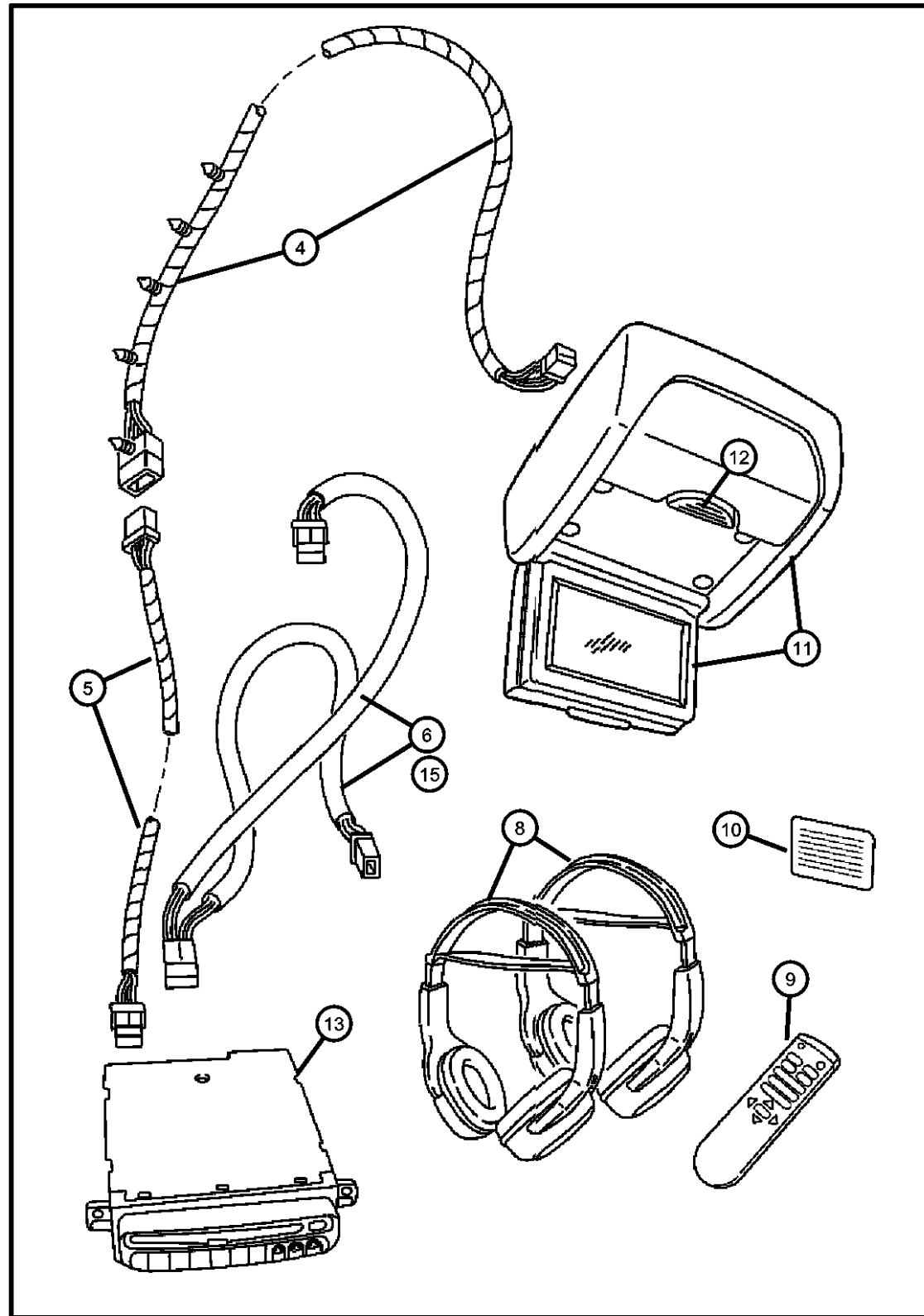
ENGINE  
EGN = Engine - 3.5L V6 24V MPI  
EGH = Engine - 3.8L V6 OHV

TRANSMISSION  
DGL = Transmission - 4-Spd. Automatic

AR = use ase required    - = Non illustrated part

2005 CS

Media System - With and Without DVD  
Figure 1-150



ITEM	PART NUMBER	QTY	LINE	SERIES	BODY	ENGINE	TRANS	TRIM	DESCRIPTION
		1							W/O DVD
13									DVD CHANGER
	04685908AG	1							W/ DVD W/ Prep Package
	04685932AB	1							With XRW & With & Without RDV
	05094031AA	1							
-14	68022582AA	1							BRACKET, Mounting
15	04685999AC	1							WIRING, Compact Disc Changer
-16	05028424AC	1							BRACKET ASSY, REAR SEAT VIDEO
-17	05096086AA	1							HARDWARE KIT, MultiMedia System

PACIFICA (CS)

SERIES LINE  
H = HIGHLINE C = CHRYSLER  
S = SPORT Y = CHRYSLER  
X = SPECIAL

BODY  
74 = SPORT UTILITY 4-DR

ENGINE  
EGN = Engine - 3.5L V6 24V MPI  
EGH = Engine - 3.8L V6 OHV

TRANSMISSION  
DGL = Transmission - 4-Spd. Automatic

AR = use ase required - = Non illustrated part

2005 CS

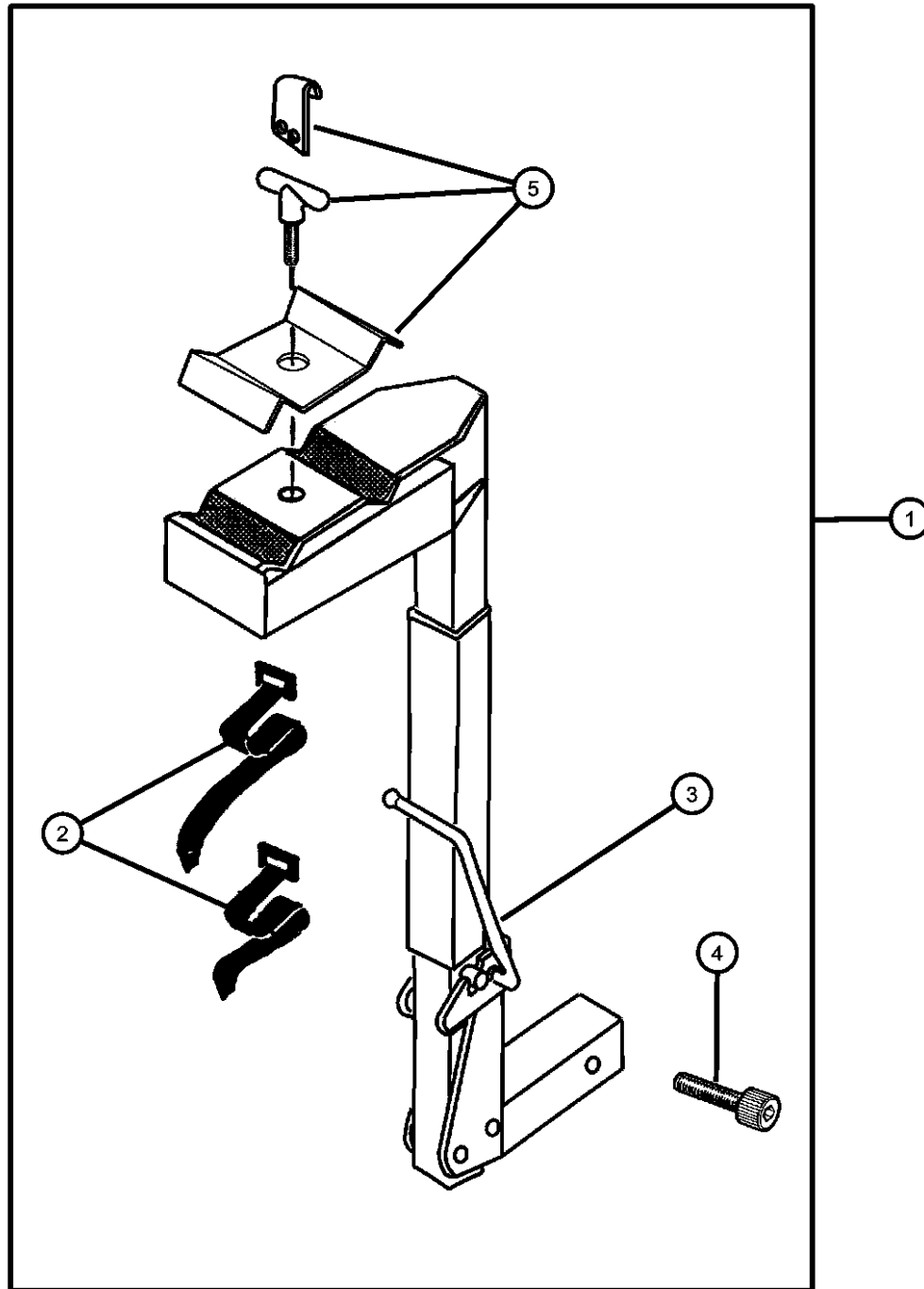
**Bike Carrier - Hitch Mount Two Bike**  
**Figure 1-210**

ITEM	PART NUMBER	QTY	LINE	SERIES	BODY	ENGINE	TRANS	TRIM	DESCRIPTION
------	-------------	-----	------	--------	------	--------	-------	------	-------------

NOTE: Folds down for access to rear deck, has anti theft bolts.

1	82204453	1							CARRIER KIT, Bike, 2.0 Inch Receiver Hitch Required
2	04762880	1							STRAP KIT, Velcro
3	05016775AA	1							STRAP KIT, Bike Carrier Latch
4	05016776AA	1							BOLT KIT, Security
5	05018825AA	1							HARDWARE KIT, Bike Carrier

CARRIER KIT, Bike, 2.0 Inch Receiver Hitch Required  
 STRAP KIT, Velcro  
 STRAP KIT, Bike Carrier Latch  
 BOLT KIT, Security  
 HARDWARE KIT, Bike Carrier



**PACIFICA (CS)**

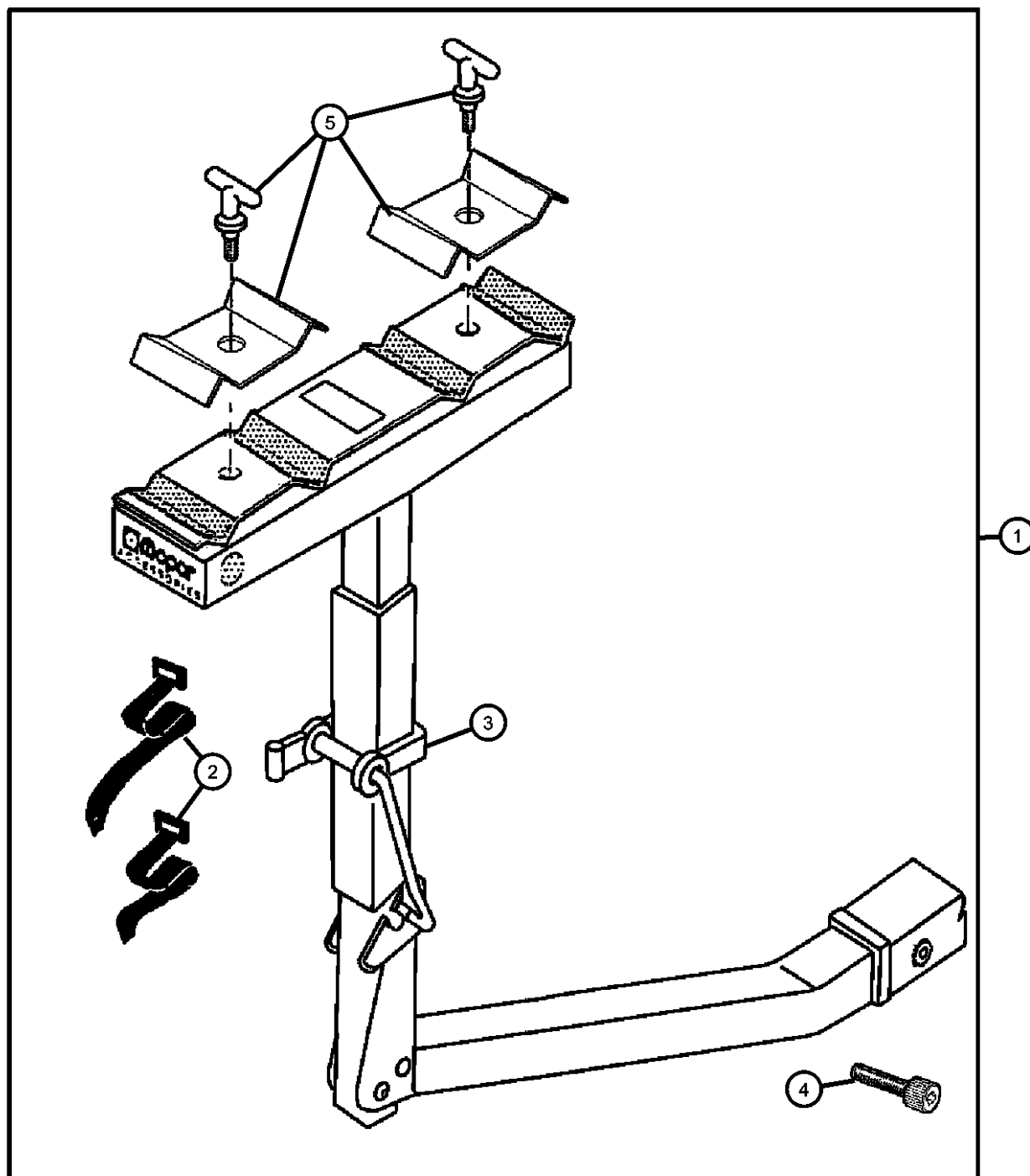
SERIES	LINE	BODY	ENGINE	TRANSMISSION
H = HIGHLINE	C = CHRYSLER	74 = SPORT UTILITY 4-DR	EGN = Engine - 3.5L V6 24V MPI	DGL = Transmission - 4-Spd. Automatic
S = SPORT	Y = CHRYSLER		EGH = Engine - 3.8L V6 OHV	
X = SPECIAL				

AR = use ase required - = Non illustrated part

2005 CS

**Bike Carrier Hitch Mount, Four Bike  
Figure 1-211**

ITEM	PART NUMBER	QTY	LINE	SERIES	BODY	ENGINE	TRANS	TRIM	DESCRIPTION
1	82204328	1							CARRIER KIT, Bike, 2.0 Inch Receiver Hitch Required
2	04762880	1							STRAP KIT, Velcro
3	05016775AA	1							STRAP KIT, Bike Carrier Latch
4	05016776AA	1							BOLT KIT, Security
5	05018825AA	1							HARDWARE KIT, Bike Carrier



**PACIFICA (CS)**

SERIES	LINE	BODY	ENGINE	TRANSMISSION
H = HIGHLINE	C = CHRYSLER	74 = SPORT UTILITY 4-DR	EGN = Engine - 3.5L V6 24V MPI	DGL = Transmission - 4-Spd. Automatic
S = SPORT	Y = CHRYSLER		EGH = Engine - 3.8L V6 OHV	
X = SPECIAL				

AR = use ase required - = Non illustrated part

2005 CS



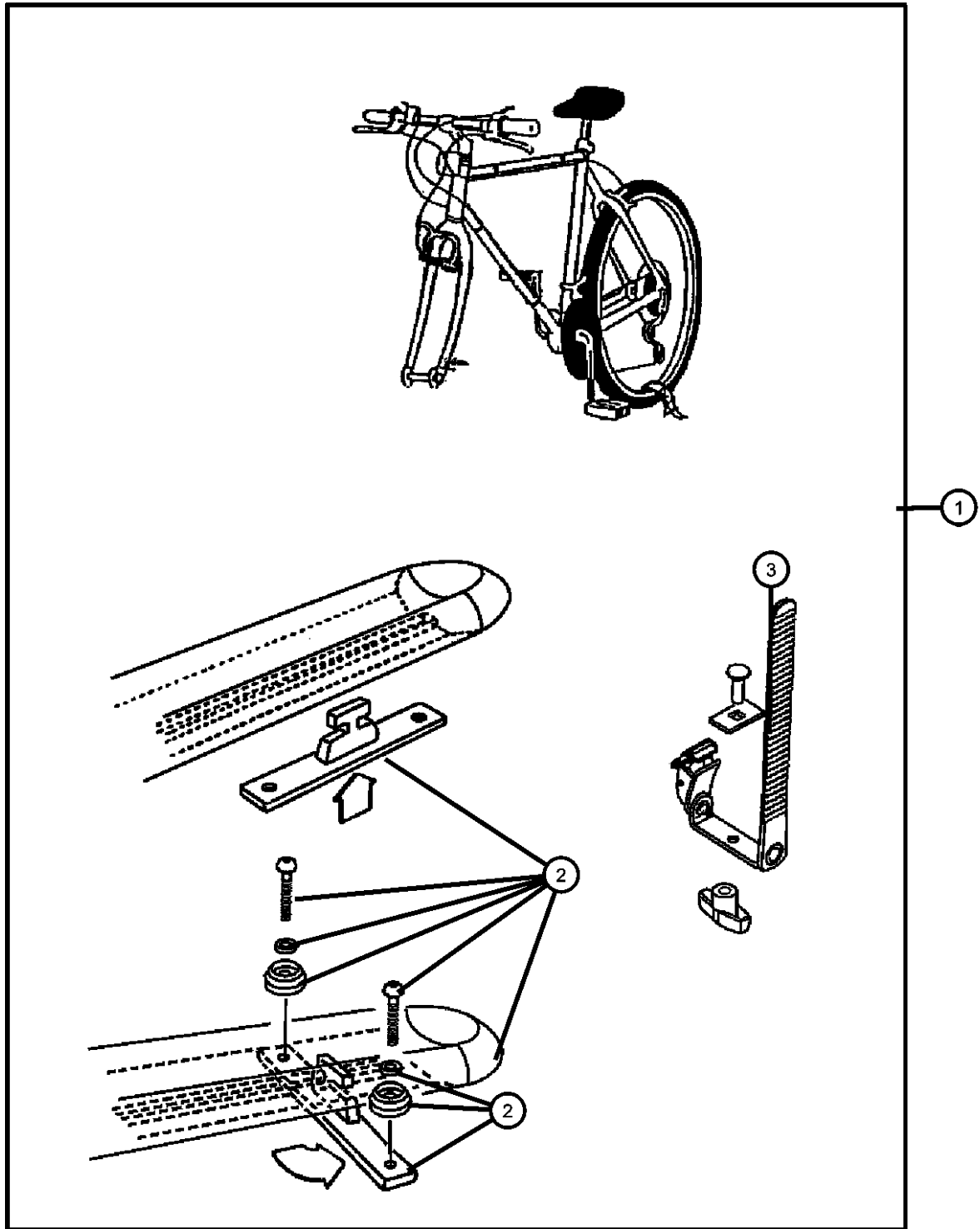
**Bike Carrier - Roof, Fork Mount Style**  
**Figure 1-212**

ITEM	PART NUMBER	QTY	LINE	SERIES	BODY	ENGINE	TRANS	TRIM	DESCRIPTION
------	-------------	-----	------	--------	------	--------	-------	------	-------------

NOTE: Hardware Kit also contained in Carrier Kit.

1	82207943	1							CARRIER KIT, Bike, Fork - Mount
2	05093779AA	1							HARDWARE KIT, Accessory
3	05114532AA	1							STRAP, Cargo Tie Down

CARRIER KIT, Bike, Fork - Mount  
HARDWARE KIT, Accessory  
STRAP, Cargo Tie Down



**PACIFICA (CS)**

SERIES      LINE  
H = HIGHLINE    C = CHRYSLER  
S = SPORT        Y = CHRYSLER  
X = SPECIAL

BODY  
74 = SPORT UTILITY 4-DR

ENGINE  
EGN = Engine - 3.5L V6 24V MPI  
EGH = Engine - 3.8L V6 OHV

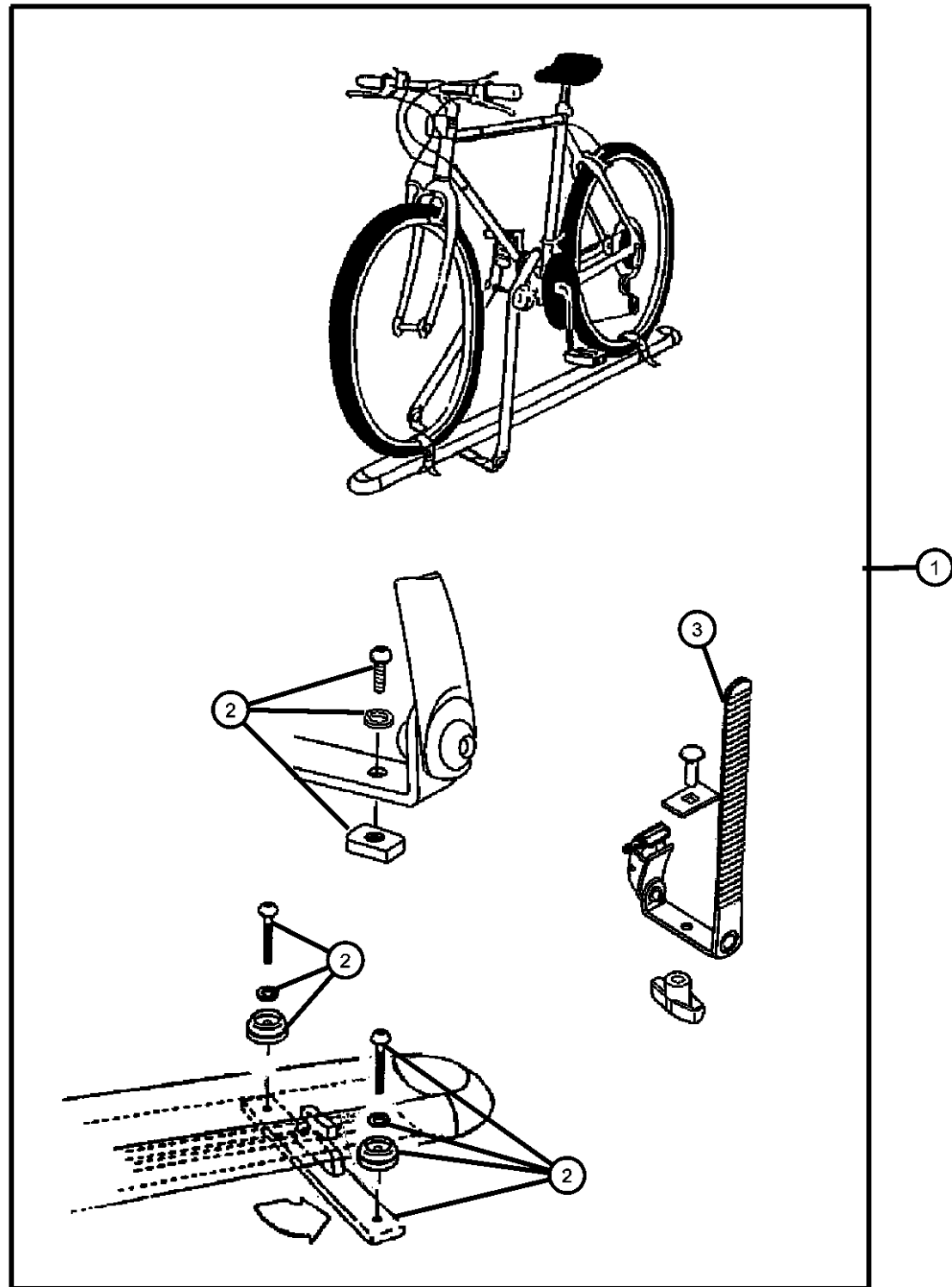
TRANSMISSION  
DGL = Transmission - 4-Spd. Automatic

AR = use ase required    - = Non illustrated part

**Bike Carrier - Roof Upright Mount Style  
Figure 1-214**

ITEM	PART NUMBER	QTY	LINE	SERIES	BODY	ENGINE	TRANS	TRIM	DESCRIPTION
------	-------------	-----	------	--------	------	--------	-------	------	-------------

1	82207942	1							CARRIER KIT, Bike, Upright - Mount
2	05093779AA	1							HARDWARE KIT, Accessory
3	05114532AA	1							STRAP, Cargo Tie Down



**PACIFICA (CS)**

SERIES

H = HIGHLINE  
S = SPORT  
X = SPECIAL

LINE

C = CHRYSLER  
Y = CHRYSLER

BODY

74 = SPORT UTILITY 4-DR

ENGINE

EGN = Engine - 3.5L V6 24V MPI  
EGH = Engine - 3.8L V6 OHV

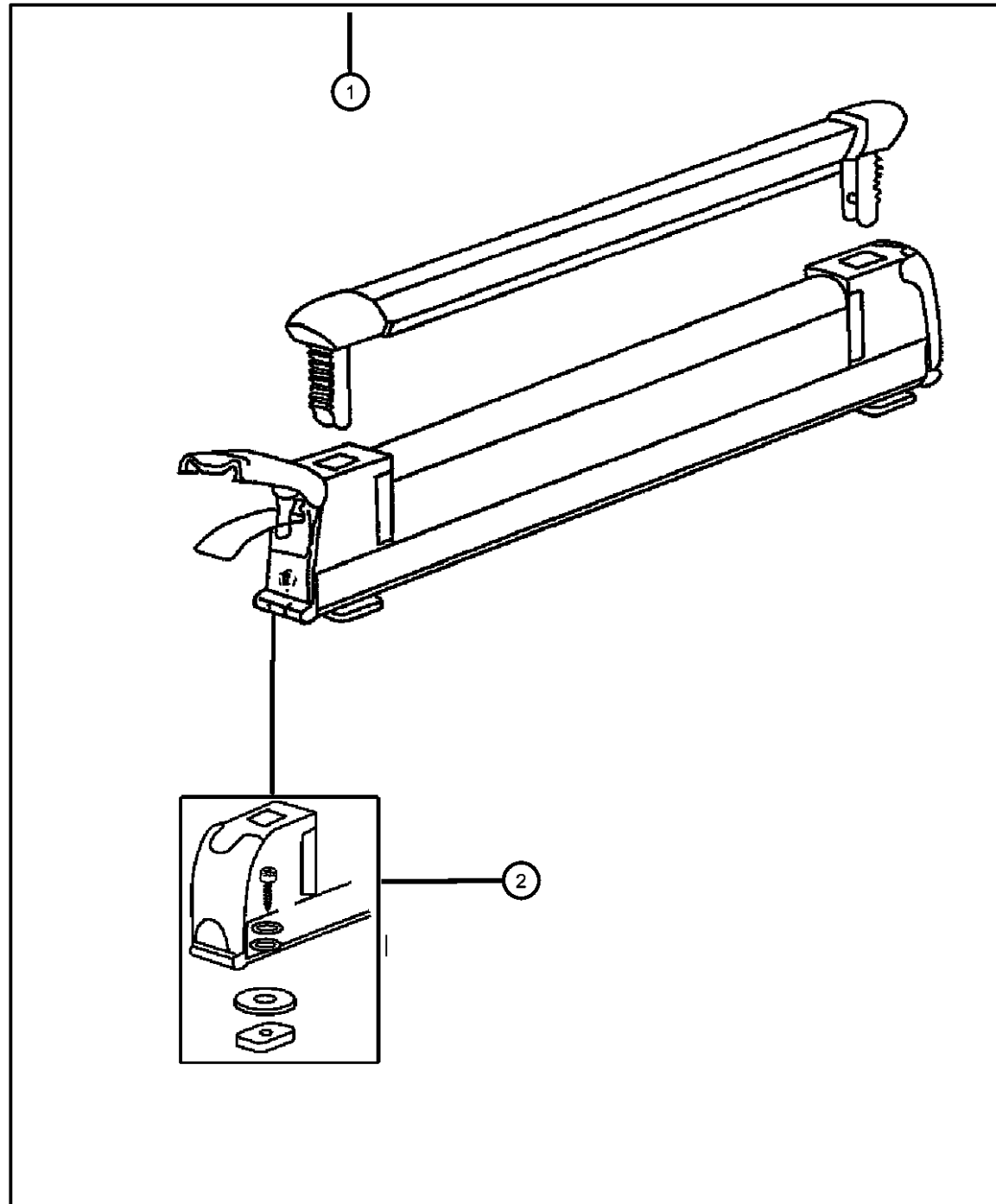
TRANSMISSION

DGL = Transmission - 4-Spd. Automatic

AR = use ase required - = Non illustrated part

2005 CS

Ski Carrier - Roof  
Figure 1-224



ITEM	PART NUMBER	QTY	LINE	SERIES	BODY	ENGINE	TRANS	TRIM	DESCRIPTION
1	82207308	1							CARRIER KIT, Ski
	82207312	1							6 Pair or 3 Snowboards
									3 Pair or 2 Snowboards
2	05086158AA	1							HARDWARE KIT, Accessory, Contains: 4 - 25MM Screws, 4 - 20M Screws, 4 - 16MM Screws, 4 - Lock Washers, 4 - Flat Washers, 4 - T Plates, 4 - Rubber Washers
-3	05066632AA	1							TOOL, Screw Driver

PACIFICA (CS)

SERIES

H = HIGHLINE  
S = SPORT  
X = SPECIAL

LINE

C = CHRYSLER  
Y = CHRYSLER

BODY

74 = SPORT UTILITY 4-DR

ENGINE

EGN = Engine - 3.5L V6 24V  
MPI  
EGH = Engine - 3.8L V6 OHV

TRANSMISSION

DGL = Transmission - 4-Spd.  
Automatic

AR = use ase required - = Non illustrated part

2005 CS

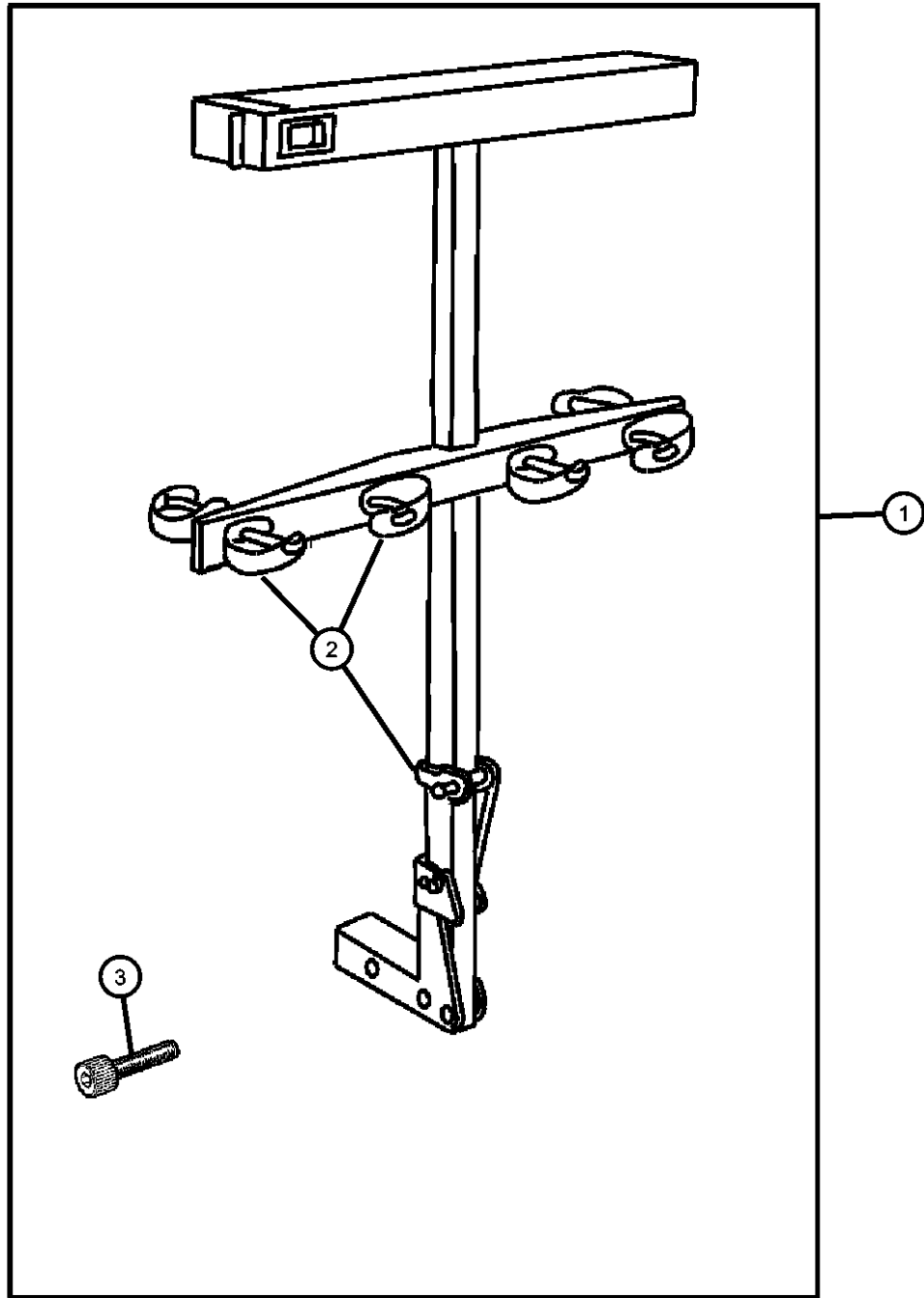
**Ski Carrier - Hitch Mounted**  
**Figure 1-225**

ITEM	PART NUMBER	QTY	LINE	SERIES	BODY	ENGINE	TRANS	TRIM	DESCRIPTION
------	-------------	-----	------	--------	------	--------	-------	------	-------------

Note: 2.0 Inch Receiver Hitch Required

1	82204455	1							CARRIER KIT, Ski - 4 Pair
2	05016775AA	1							STRAP KIT, Bike Carrier Latch
3	05016776AA	1							BOLT KIT, Security

CARRIER KIT, Ski - 4 Pair  
 STRAP KIT, Bike Carrier Latch  
 BOLT KIT, Security



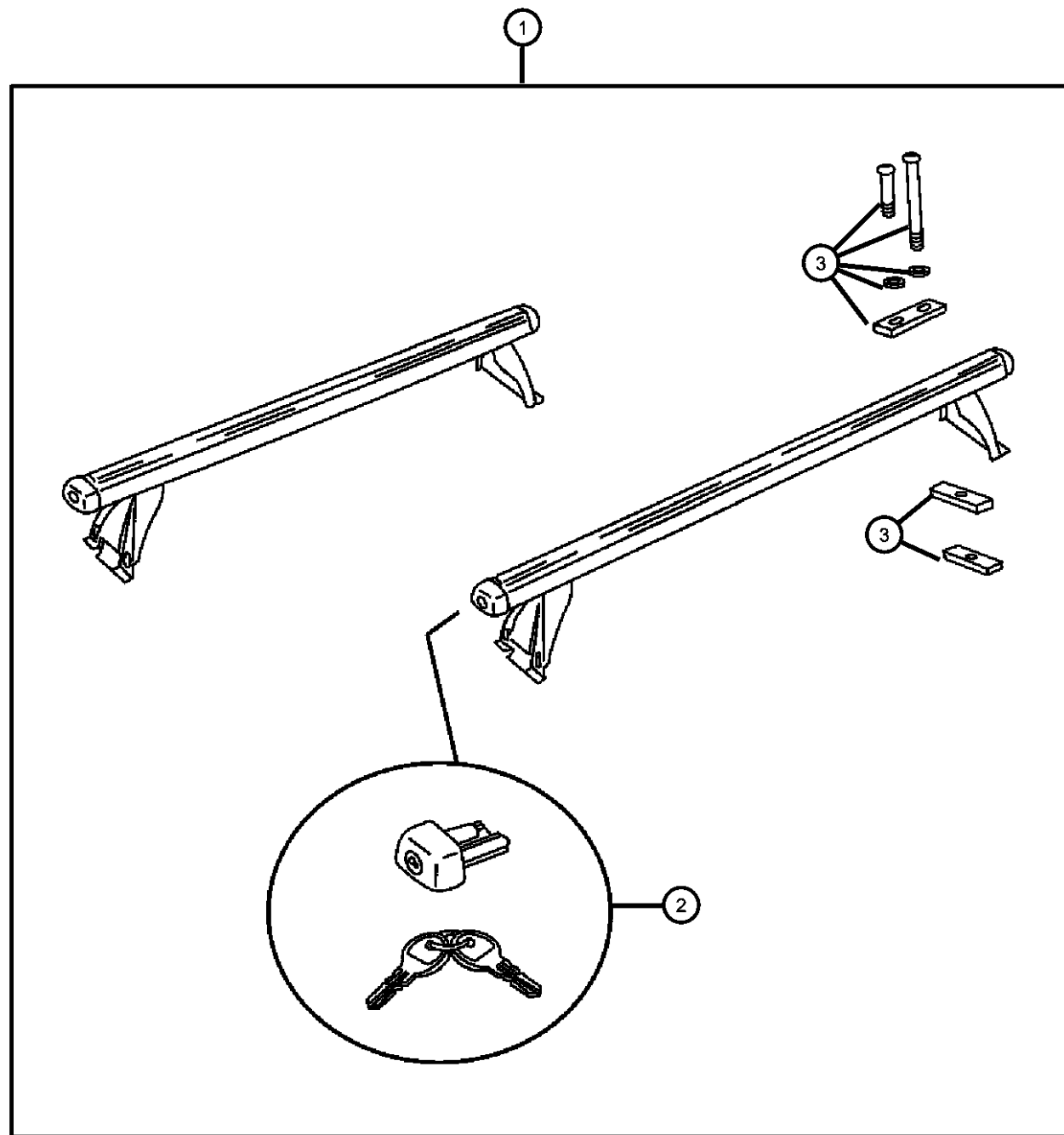
**PACIFICA (CS)**

SERIES	LINE	BODY	ENGINE	TRANSMISSION
H = HIGHLINE	C = CHRYSLER	74 = SPORT UTILITY 4-DR	EGR = Engine - 3.5L V6 24V MPI	DGL = Transmission - 4-Spd. Automatic
S = SPORT	Y = CHRYSLER		EGH = Engine - 3.8L V6 OHV	
X = SPECIAL				

AR = use ase required - = Non illustrated part

2005 CS

Rack Kit - Roof  
Figure 1-230



ITEM	PART NUMBER	QTY	LINE	SERIES	BODY	ENGINE	TRANS	TRIM	DESCRIPTION
1	82207944	1							RACK KIT, Multipurpose
2	05072276AA	1							END CAP, Roof Rack Side Rail
3	05066452AA	1							HARDWARE KIT, ROOF RACK
-4	05066632AA	1							TOOL, Screw Driver

**PACIFICA (CS)**

SERIES      LINE  
H = HIGHLINE    C = CHRYSLER  
S = SPORT        Y = CHRYSLER  
X = SPECIAL

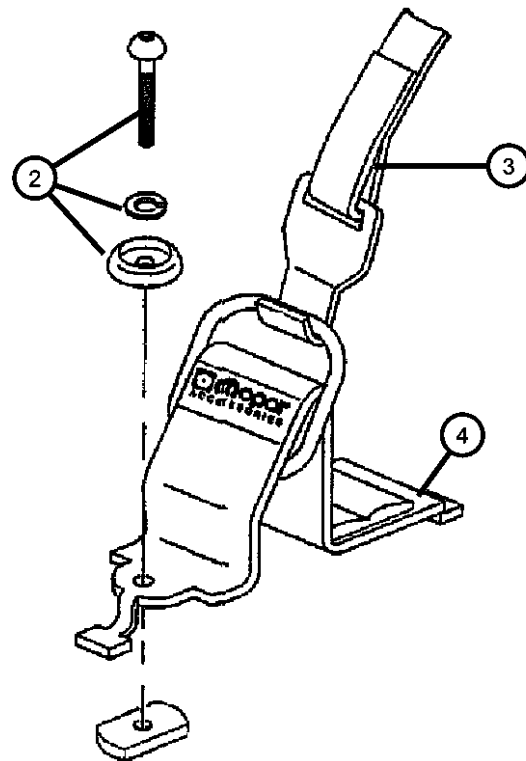
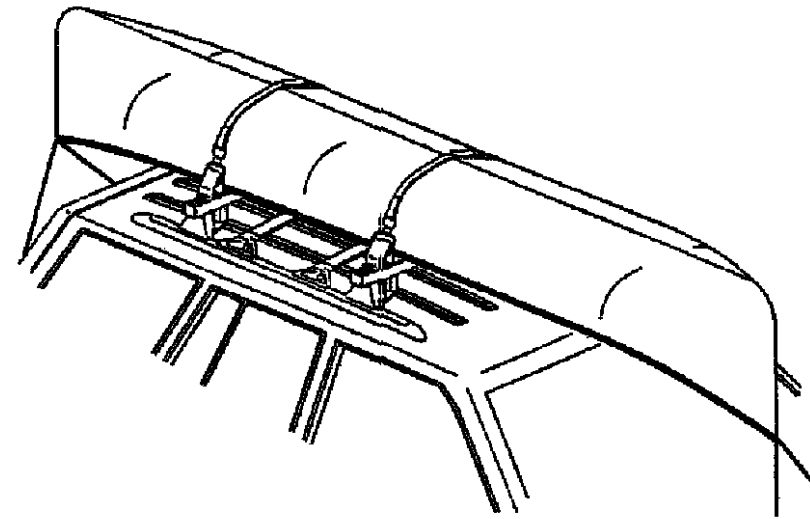
BODY  
74 = SPORT UTILITY 4-DR

ENGINE  
EGN = Engine - 3.5L V6 24V MPI  
EGH = Engine - 3.8L V6 OHV

TRANSMISSION  
DGL = Transmission - 4-Spd. Automatic

AR = use ase required    - = Non illustrated part

Carrier Kit Roof - Canoe  
Figure 1-231



ITEM	PART NUMBER	QTY	LINE	SERIES	BODY	ENGINE	TRANS	TRIM	DESCRIPTION
1	82204700	1							CARRIER KIT, Canoe
2	05016389AA	1							HARDWARE KIT, Accessory
3	05016511AA	1							STRAP, Cargo Tie Down
4	05016511AA	1							BRACKET, Cargo Tie Down, Serviced With Carrier Kit, (NOT SERVICED)

PACIFICA (CS)

SERIES

H = HIGHLINE  
S = SPORT  
X = SPECIAL

LINE

C = CHRYSLER  
Y = CHRYSLER

BODY

74 = SPORT UTILITY 4-DR

ENGINE

EGN = Engine - 3.5L V6 24V MPI  
EGH = Engine - 3.8L V6 OHV

TRANSMISSION

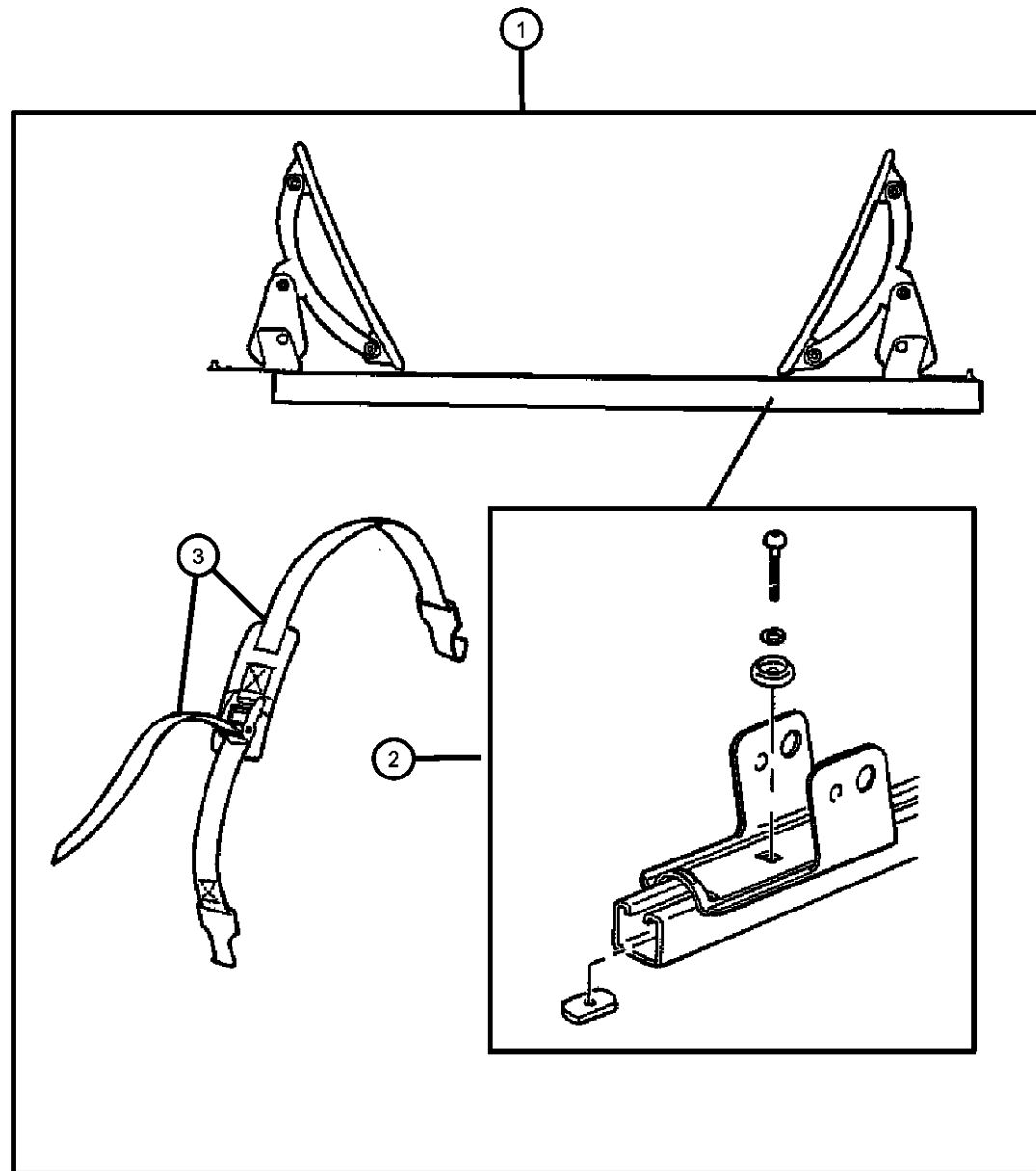
DGL = Transmission - 4-Spd. Automatic

AR = use ase required - = Non illustrated part

2005 CS

Carrier Kit Roof - Water Sports  
Figure 1-232

ITEM	PART NUMBER	QTY	LINE	SERIES	BODY	ENGINE	TRANS	TRIM	DESCRIPTION
1	82205416	1							CARRIER KIT, Water Sports
2	05016389AA	1							HARDWARE KIT, Accessory
3	05016511AA	1							STRAP, Cargo Tie Down



PACIFICA (CS)

SERIES

H = HIGHLINE  
S = SPORT  
X = SPECIAL

LINE

C = CHRYSLER  
Y = CHRYSLER

BODY

74 = SPORT UTILITY 4-DR

ENGINE

EGN = Engine - 3.5L V6 24V MPI  
EGH = Engine - 3.8L V6 OHV

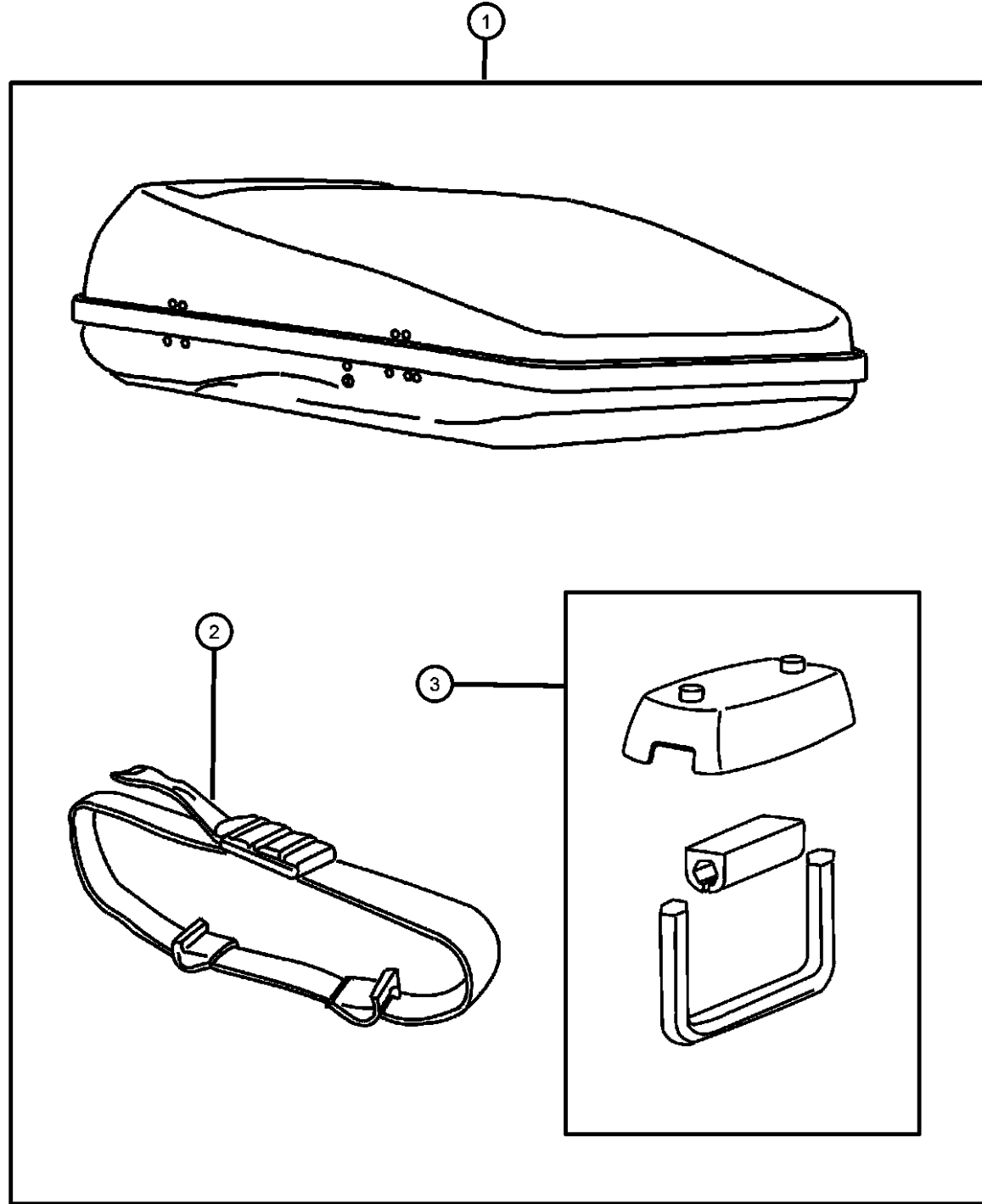
TRANSMISSION

DGL = Transmission - 4-Spd. Automatic

AR = use ase required - = Non illustrated part

2005 CS

Luggage Carrier  
Figure 1-235



ITEM	PART NUMBER	QTY	LINE	SERIES	BODY	ENGINE	TRANS	TRIM	DESCRIPTION
1	82207353	1							CARRIER KIT, Luggage, 440 Lter Capacity
2	05086160AA	1							STRAP, Cargo Tie Down
3	05086159AA	1							HARDWARE KIT

PACIFICA (CS)

SERIES	LINE	BODY	ENGINE	TRANSMISSION
H = HIGHLINE	C = CHRYSLER	74 = SPORT UTILITY 4-DR	EGN = Engine - 3.5L V6 24V MPI	DGL = Transmission - 4-Spd. Automatic
S = SPORT	Y = CHRYSLER		EGH = Engine - 3.8L V6 OHV	
X = SPECIAL				

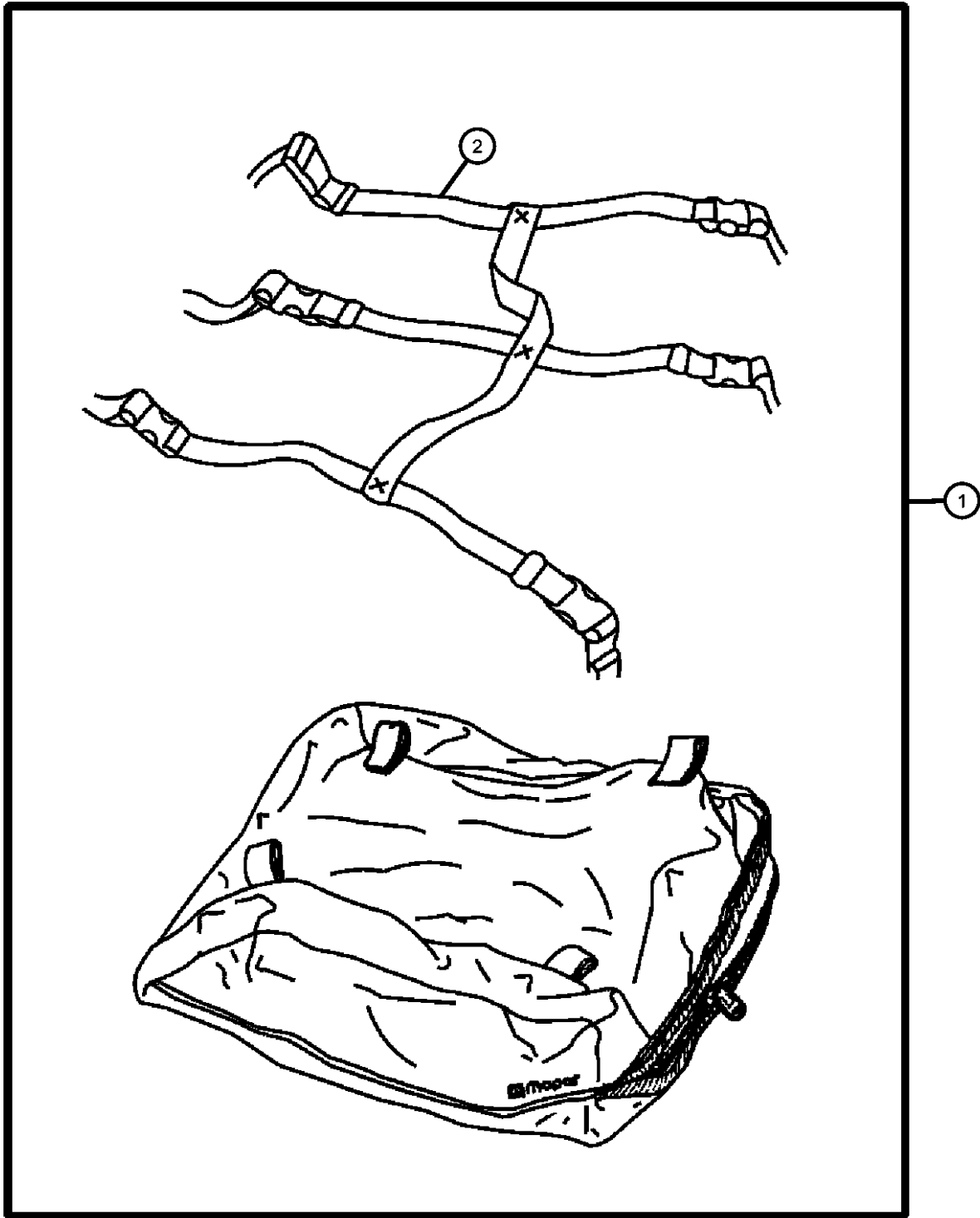
AR = use ase required - = Non illustrated part

2005 CS



Luggage Carrier Roof, Vinyl  
Figure 1-274

ITEM	PART NUMBER	QTY	LINE	SERIES	BODY	ENGINE	TRANS	TRIM	DESCRIPTION
1	82208301	1							CARRIER KIT, Luggage, Vinyl
2	05066332AA	1							STRAP KIT, Luggage Carrier



PACIFICA (CS)

SERIES

H = HIGHLINE  
S = SPORT  
X = SPECIAL

LINE

C = CHRYSLER  
Y = CHRYSLER

BODY

74 = SPORT UTILITY 4-DR

ENGINE

EGN = Engine - 3.5L V6 24V MPI  
EGH = Engine - 3.8L V6 OHV

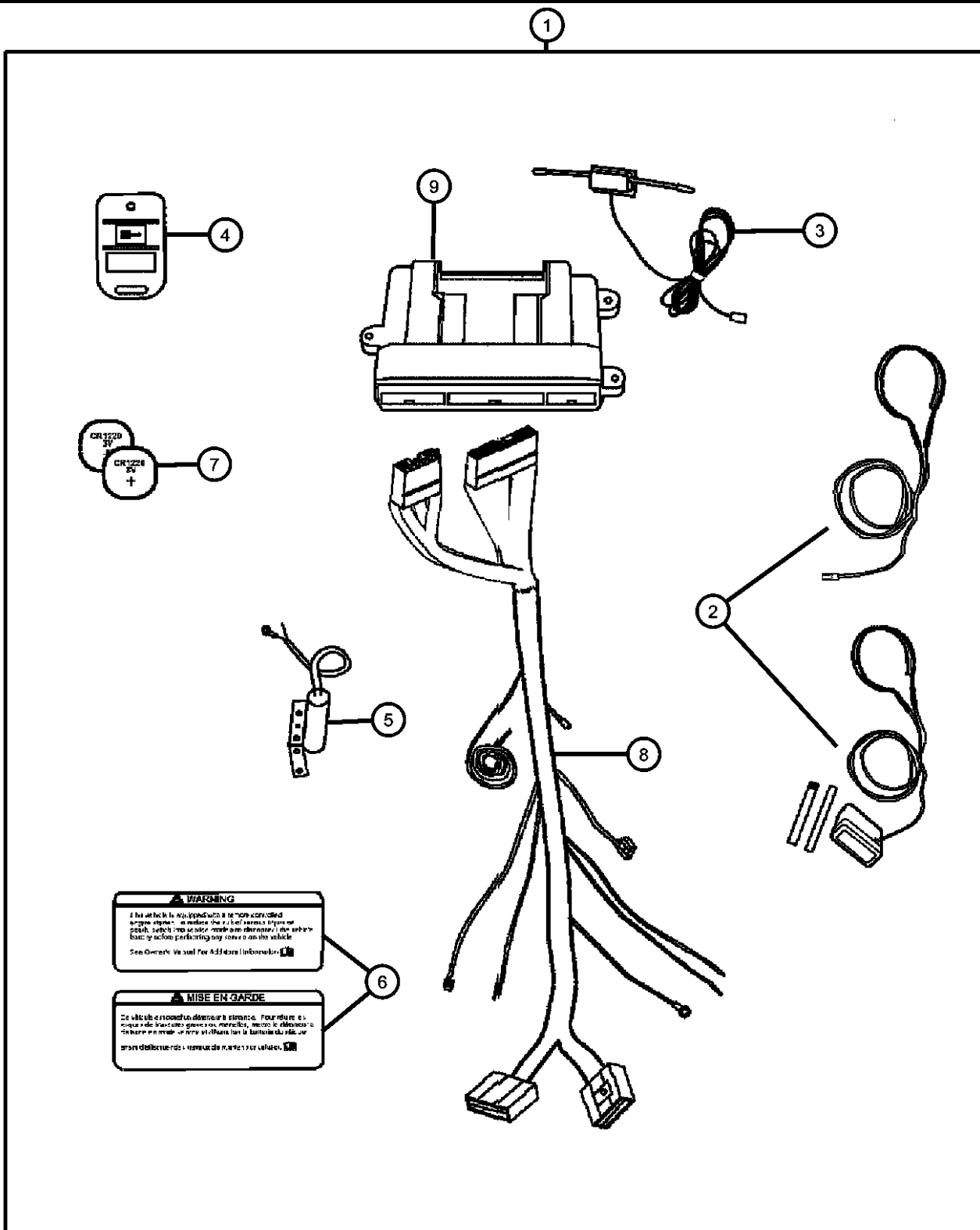
TRANSMISSION

DGL = Transmission - 4-Spd. Automatic

AR = use ase required - = Non illustrated part

2005 CS

Remote Start - Installation Kit  
Figure 1-310



ITEM	PART NUMBER	QTY	LINE	SERIES	BODY	ENGINE	TRANS	TRIM	DESCRIPTION
1	82208861	1							INSTALL KIT, REMOTE START
2	05140470AA	1							ANTENNA
3	05140471AA	1							ANTENNA
4	05140472AA	1							TRANSMITTER
5	05140473AA	1							SWITCH
6	05140474AA	1							LABEL
7	05140773AA	1							BATTERY, Transmitter, 12 Per Package
8	05179432AA	1							HARNESS, Wiring, See in Electrical Group 008
9	82208859	1							MODULE KIT, REMOTE START
-10	05140464AA	1							MODULE, Remote Start

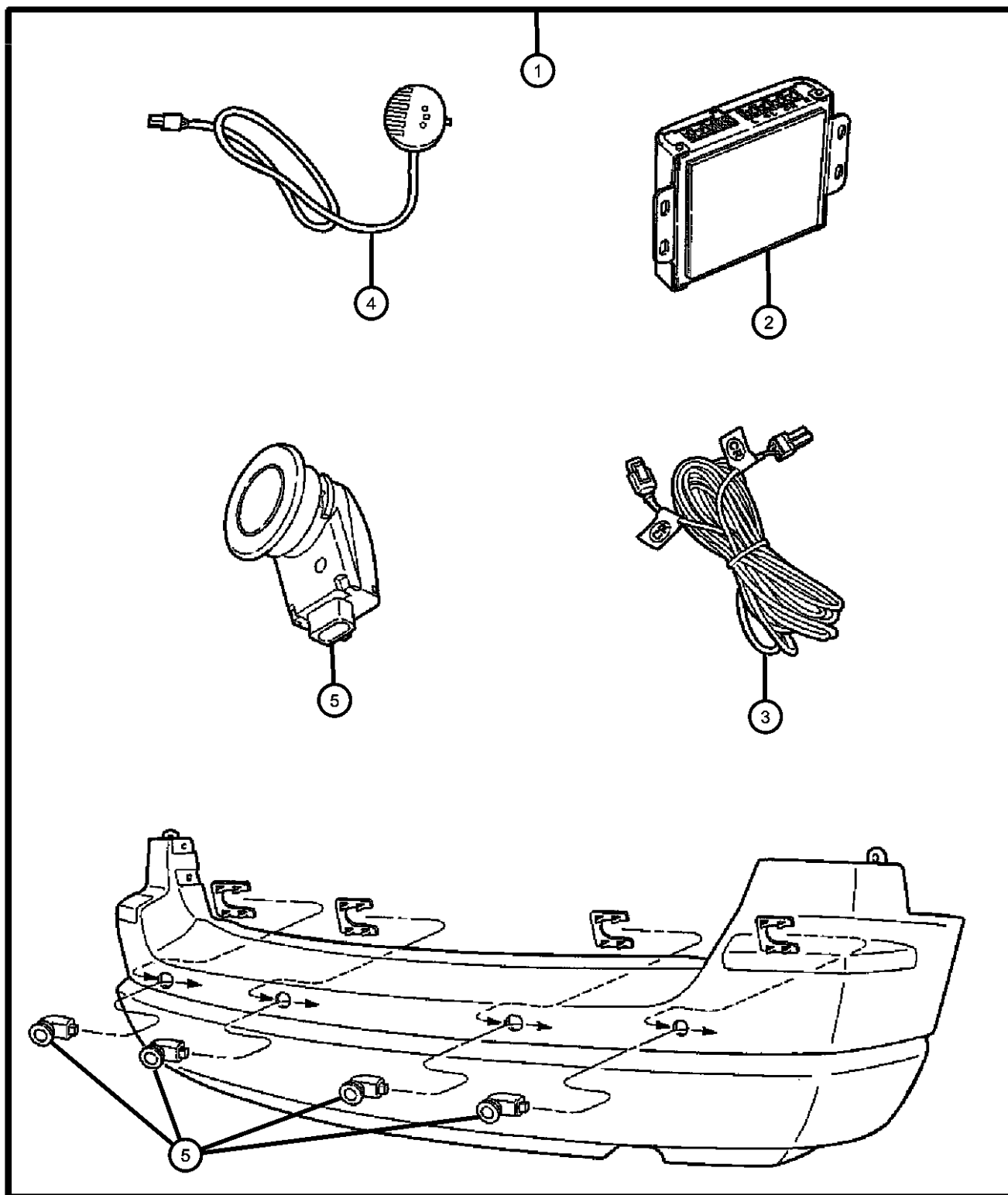
PACIFICA (CS)

SERIES	LINE	BODY	ENGINE	TRANSMISSION
H = HIGHLINE	C = CHRYSLER	74 = SPORT UTILITY 4-DR	EGN = Engine - 3.5L V6 24V MPI	DGL = Transmission - 4-Spd. Automatic
S = SPORT	Y = CHRYSLER		EGH = Engine - 3.8L V6 OHV	
X = SPECIAL				

AR = use ase required - = Non illustrated part

2005 CS

**Sensor Kit - Parking Distance**  
**Figure 1-320**



ITEM	PART NUMBER	QTY	LINE	SERIES	BODY	ENGINE	TRANS	TRIM	DESCRIPTION
1	82208246AB	1							SENSOR KIT, Park Distance
2	05137541AA	1							MODULE, Parking Assist
3	05137540AA	1							WIRING, Distance Sensor
4	05137539AA	1							DISPLAY, Parking Assist
5	05137536AA	1							SENSOR

**PACIFICA (CS)**

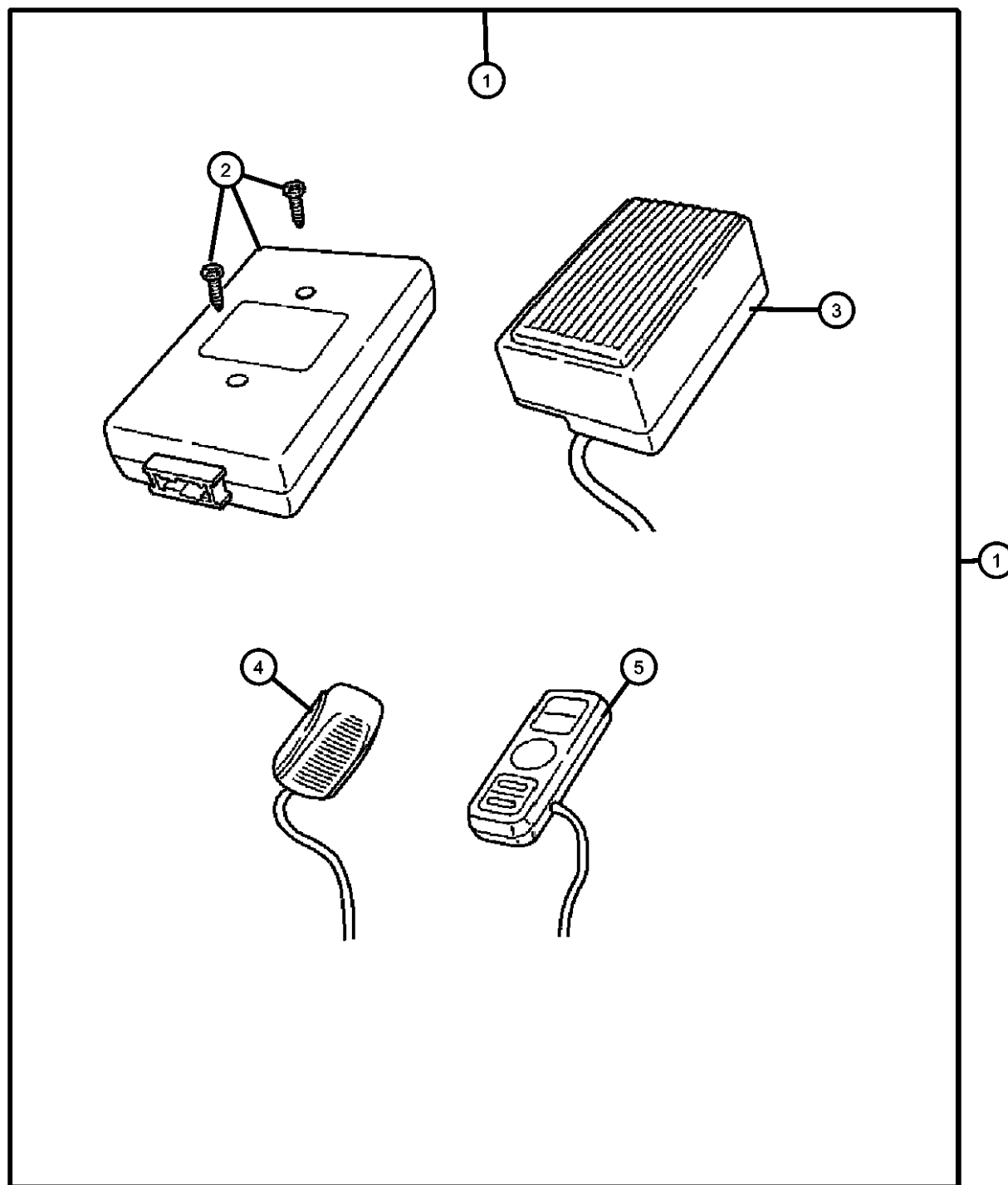
SERIES	LINE	BODY	ENGINE	TRANSMISSION
H = HIGHLINE	C = CHRYSLER	74 = SPORT UTILITY 4-DR	EGN = Engine - 3.5L V6 24V MPI	DGL = Transmission - 4-Spd. Automatic
S = SPORT	Y = CHRYSLER		EGH = Engine - 3.8L V6 OHV	
X = SPECIAL				

AR = use ase required - = Non illustrated part

2005 CS

Figure 1-330

ITEM	PART NUMBER	QTY	LINE	SERIES	BODY	ENGINE	TRANS	TRIM	DESCRIPTION
------	-------------	-----	------	--------	------	--------	-------	------	-------------



Note: For Warranty Repair On Item 2 Order Using Z Prefix

1	82207853AE	1							HANDS FREE KIT, Cellular Phone, Blue Tooth
2	05114359AD	1							MODULE, U Connect
3	05102026AA	1							SPEAKER, Front
4	05102025AA	1							MICROPHONE, Audio
5	05102027AA	1							CONTROLLER, Audio

**PACIFICA (CS)**

SERIES	LINE	BODY	ENGINE	TRANSMISSION
H = HIGHLINE	C = CHRYSLER	74 = SPORT UTILITY 4-DR	EGN = Engine - 3.5L V6 24V MPI	DGL = Transmission - 4-Spd. Automatic
S = SPORT	Y = CHRYSLER		EGH = Engine - 3.8L V6 OHV	
X = SPECIAL				

AR = use ase required - = Non illustrated part

2005 CS