

VIN PLATE DECODING INFORMATION

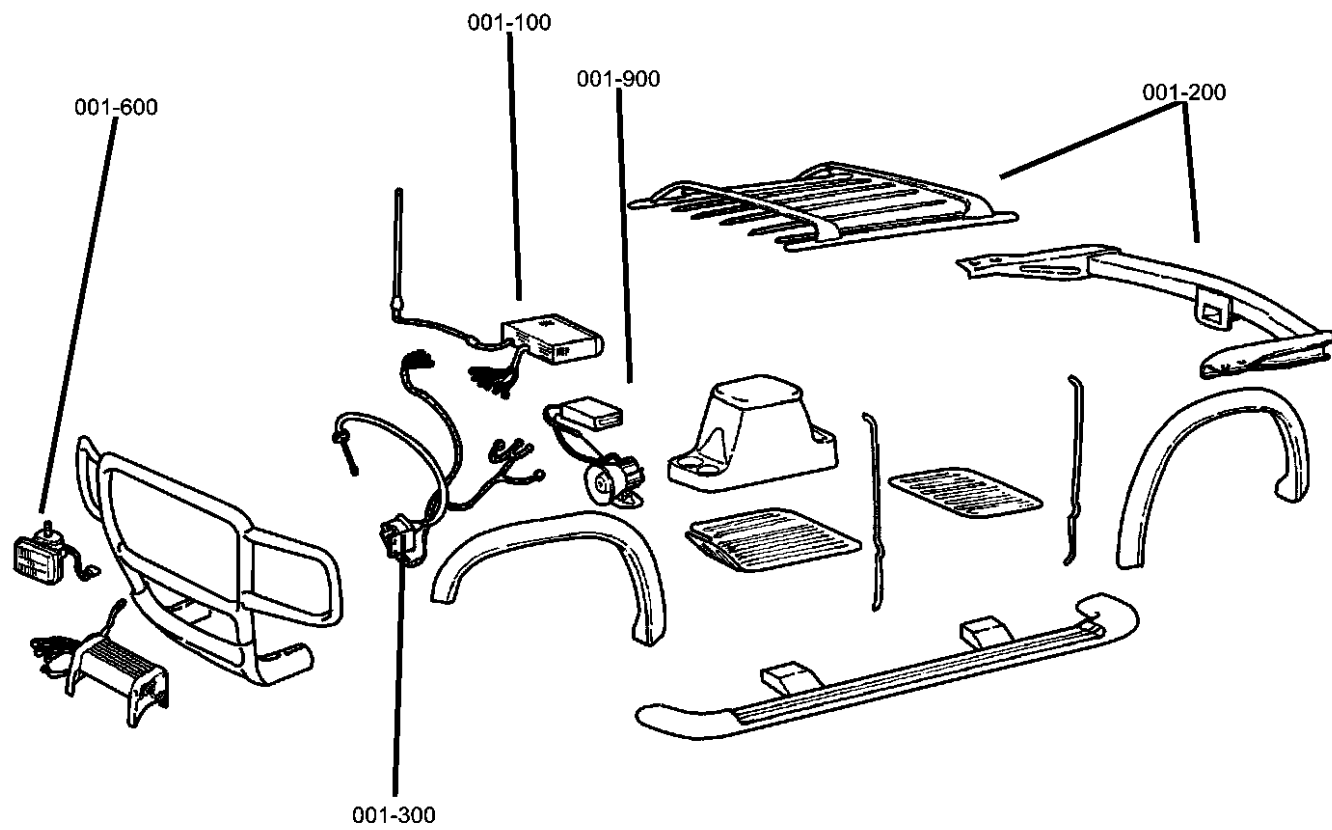
1	2	3	4	5	6	7	8	9	10	11	12 thru 17
Country	Make	Vehicle Type	Other	Line	Series	Body Style	Engine	Check Digit	Model Year	Assy. Plant	Sequence No.

The following table interprets the VIN Plate position shown above.

Position	Interpretation	Codes = Description
1	Country of Origin	2 = Built by DaimlerChrysler Canada
2	Assembler	C = Chrysler
3	Vehicle Type	4 = Multipurpose Passenger Vehicle
4	GVWR & Pass. Safety	E = 3001 - 4000 lbs F = 4001 - 5000 lbs G = 5001-6000lbs (2269-2721KGS) H = 6001 - 7000 lbs J = 7001 - 8000 lbs K = 8001 - 9000 lbs L = 9001 - 10000 lbs
5	Vehicle Line	M = Pacifica (FWD) F = Pacifica (AWD)
6	Series	6 = Pacifica FWD/AWD
7	Body Style	8 = 4 Door Sport Utility (74)
8	Engine	4 = 3.5L 6Cyl. Gas (EGN) L = 3.8L 6Cyl. SMPI (EGH)
9	Check Digit	0 = Check Digit 0 = Check Digit
10	Model Year	4 = 2004
11	Assembly Plant	R = Windsor Assembly
12 thru 17	Vehicle Build Sequence	Model Year Assembly Sequence

Group - 1

Component Parts for Mopar Accessories



Group - 1 Component Parts for Mopar Accessories

Group-Fig. No.

Illustration Title

Audio & Electronics

Satellite Receiver Kit.....	Fig. 1 - 120
Install Kit, Satellite Receiver.....	Fig. 1 - 140
Media System - With and Without DVD	Fig. 1 - 150

Carriers & Cargo Hauling

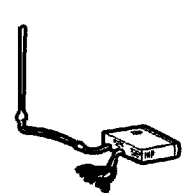
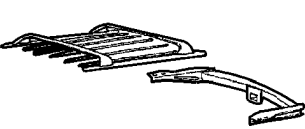


Bike Carrier - Hitch Mount Two Bike.....	Fig. 1 - 210
Bike Carrier Hitch Mount, Four Bike	Fig. 1 - 211
Bike Carrier - Roof, Fork Mount Style	Fig. 1 - 212
Bike Carrier - Roof Upright Mount Style	Fig. 1 - 214
Ski Carrier - Roof.....	Fig. 1 - 224
Ski Carrier - Hitch Mounted.....	Fig. 1 - 225
Rack Kit - Roof	Fig. 1 - 230
Carrier Kit Roof - Canoe	Fig. 1 - 231
Carrier Kit Roof - Water Sports.....	Fig. 1 - 232
Luggage Carrier.....	Fig. 1 - 235
Luggage Carrier Roof, Vinyl.....	Fig. 1 - 274

Driving Convenience

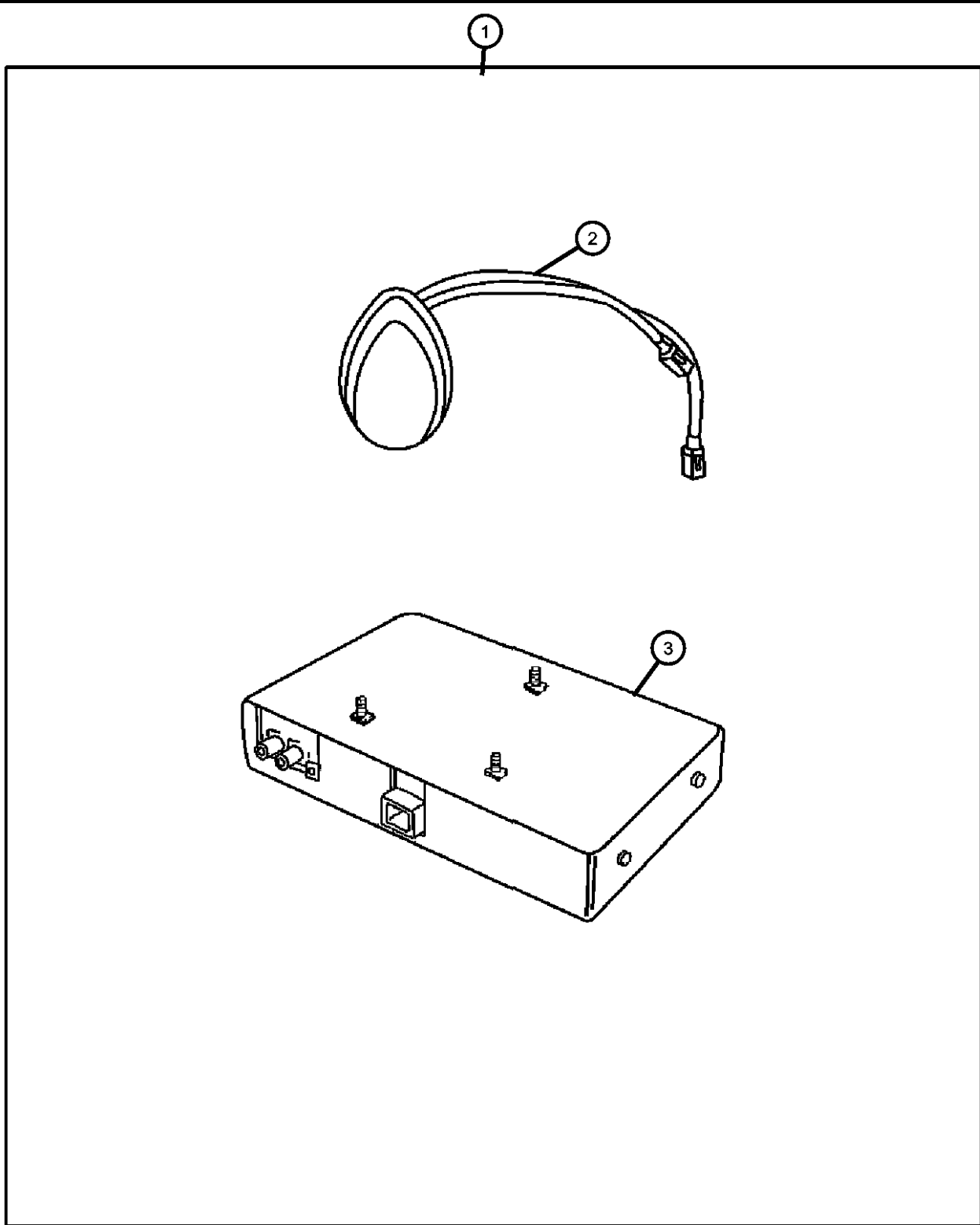
Hands Free Kit/Cellular Phone Blue Tooth.....	Fig. 1 - 320
---	--------------

Fog Lights & Electrical

Heater Kit / Engine Block.....	Fig. 1 - 610
Hands-Free Kit / Cellular Phone - Blue Toot	Fig. 1 - 620

<p>001-100 Audio & Electronics</p> 	<p>001-200 Carriers & Cargo Hauling</p> 	<p>001-300 Driving Convenience</p> 	<p>001-600 Fog Lights & Electrical</p> 
---	--	--	---

**Satellite Receiver Kit
Figure 1-120**



ITEM	PART NUMBER	QTY	LINE	SERIES	BODY	ENGINE	TRANS	TRIM	DESCRIPTION
------	-------------	-----	------	--------	------	--------	-------	------	-------------

Note: For Warranty Repair On Item 3, Order Through [GPOP] Function 11, Using Z Prefix

1	82206488AB	1							RECEIVER, Satellite
2	05066205AC	1							ANTENNA, Satellite
3	05064020AG	1							RECEIVER, Satellite
-4	05066204AA	1							WIRING, CD to MUX

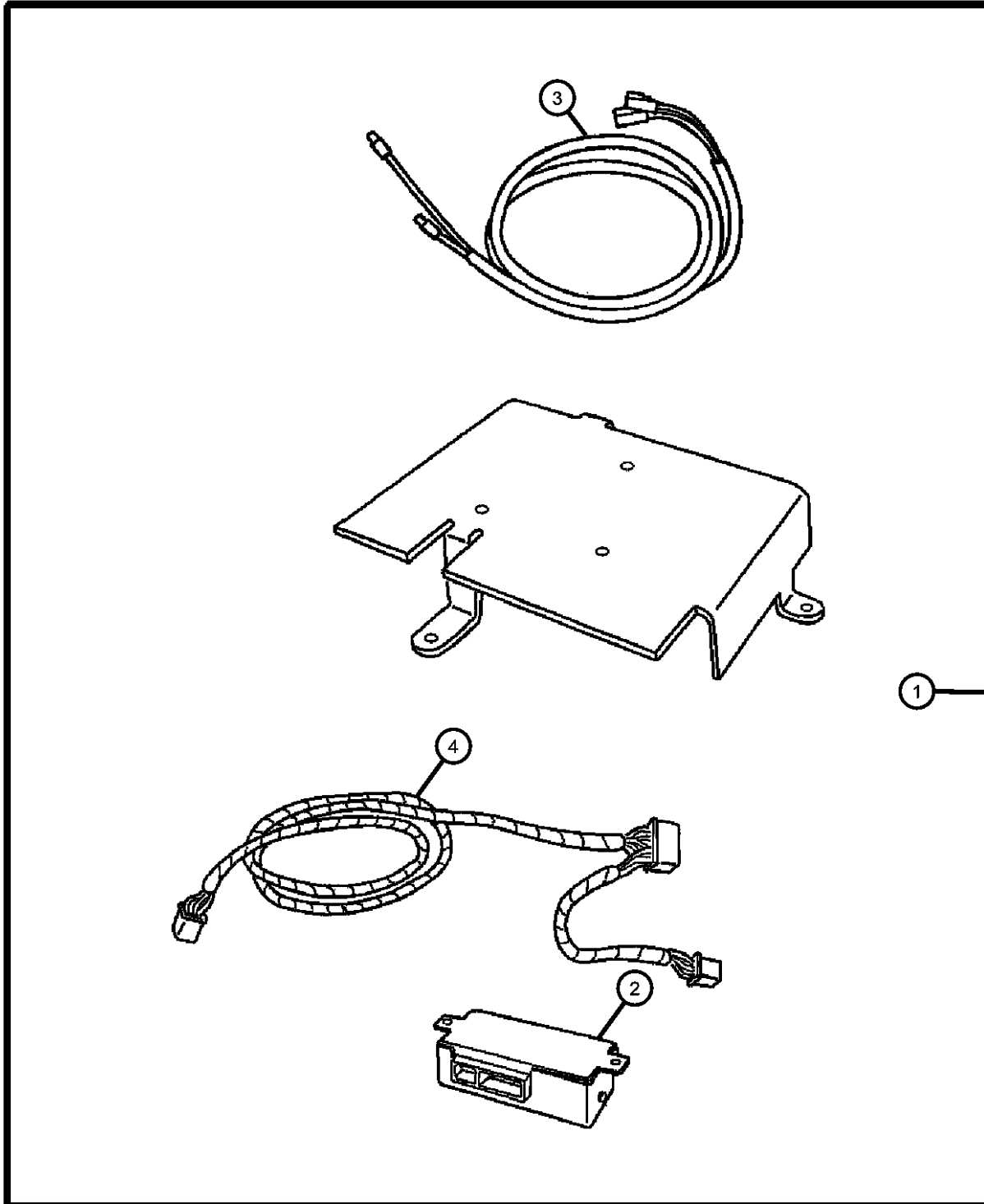
PACIFICA (CS)

SERIES	LINE	BODY	ENGINE	TRANSMISSION
S = Sport	C = CHRYSLER (AWD) Y = CHRYSLER (FWD)	74 = 4 Door	EGN = Engine - 3.5L V6 24V MPI	DGL = 4 Speed Automatic (41TE-AE)

AR = use ase required - = Non illustrated part

**Install Kit, Satellite Receiver
Figure 1-140**

ITEM	PART NUMBER	QTY	LINE	SERIES	BODY	ENGINE	TRANS	TRIM	DESCRIPTION
1	82207932	1							INSTALL KIT, Satelite Receiver
2	05059112AC	1							MODULE, Radio Control
3	05066207AB	1							CABLE, Antenna
4	05086643AA	1							WIRING, Rcvr to Radio

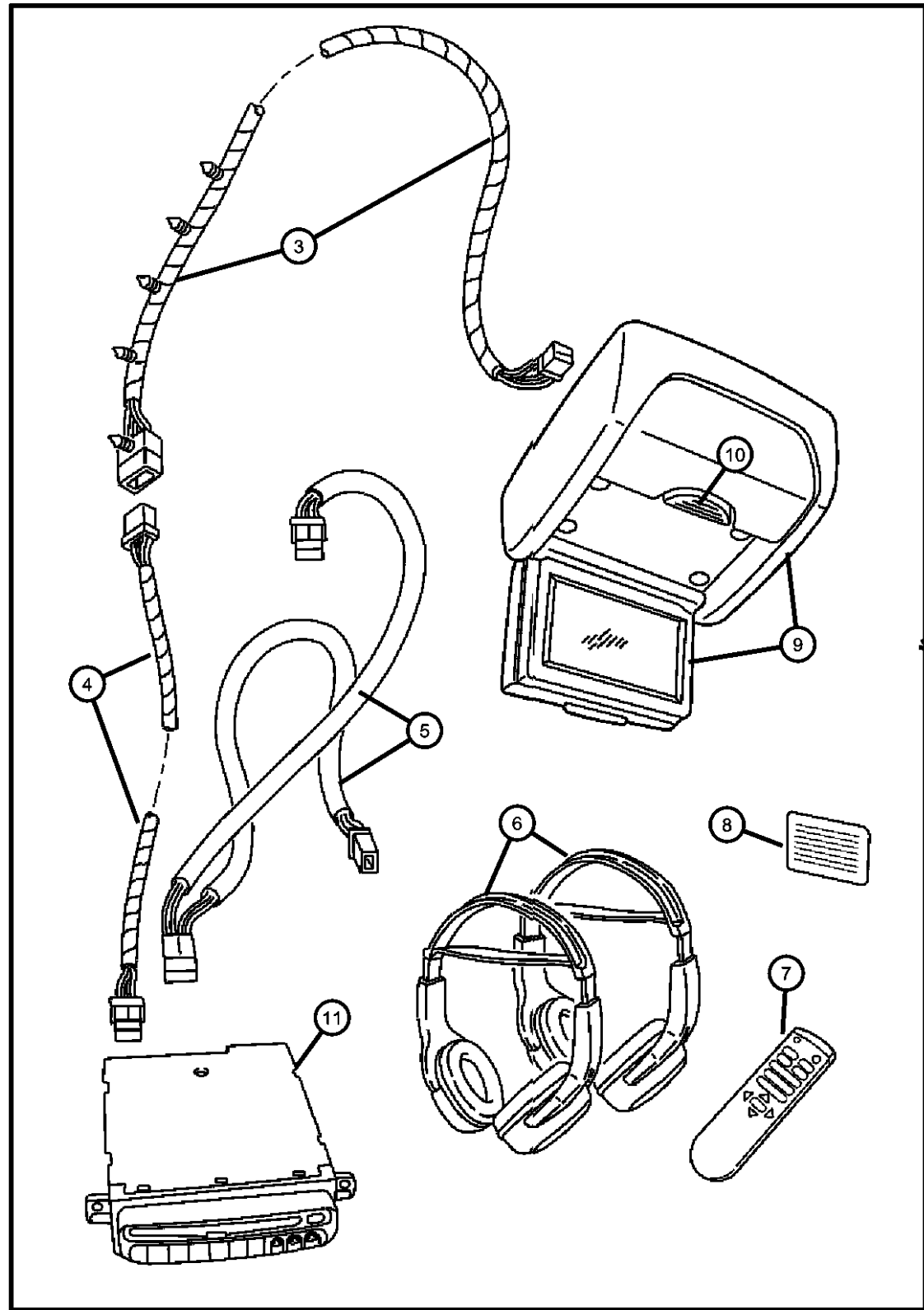


PACIFICA (CS)

SERIES	LINE	BODY	ENGINE	TRANSMISSION
S = Sport	C = CHRYSLER (AWD) Y = CHRYSLER (FWD)	74 = 4 Door	EGN = Engine - 3.5L V6 24V MPI	DGL = 4 Speed Automatic (41TE-AE)

AR = use ase required - = Non illustrated part

Media System - With and Without DVD
Figure 1-150



ITEM	PART NUMBER	QTY	LINE	SERIES	BODY	ENGINE	TRANS	TRIM	DESCRIPTION
------	-------------	-----	------	--------	------	--------	-------	------	-------------

Note: For Warranty Repair on Item 11, Order Through [GPOP] Function 11, Using Z Prefix

1	82208202	1							MEDIA SYSTEM, Monitor w/o DVD
2	82207511	1							MEDIA SYSTEM, Monitor with DVD
3	04869373AB	1							WIRING, DVD to Screen
4	04869298AB	1							WIRING, DVD Jumper
5	04685999AC	1							WIRING, Compact Disc Changer
6	05064037AA	2							HEADPHONES, Wireless
7	05094043AA	1							REMOTE, Wireless Infrared
8	05020533AA	1							LABEL, Mercury Warning
9	04685877AD	1							HOUSING, Monitor
10	05096085AA	1							LATCH KIT, Video Screen
11	04685908AE	1							DVD CHANGER

PACIFICA (CS)

SERIES	LINE	BODY	ENGINE	TRANSMISSION
S = Sport	C = CHRYSLER (AWD) Y = CHRYSLER (FWD)	74 = 4 Door	EGN = Engine - 3.5L V6 24V MPI	DGL = 4 Speed Automatic (41TE-AE)

AR = use ase required - = Non illustrated part

2004 CS

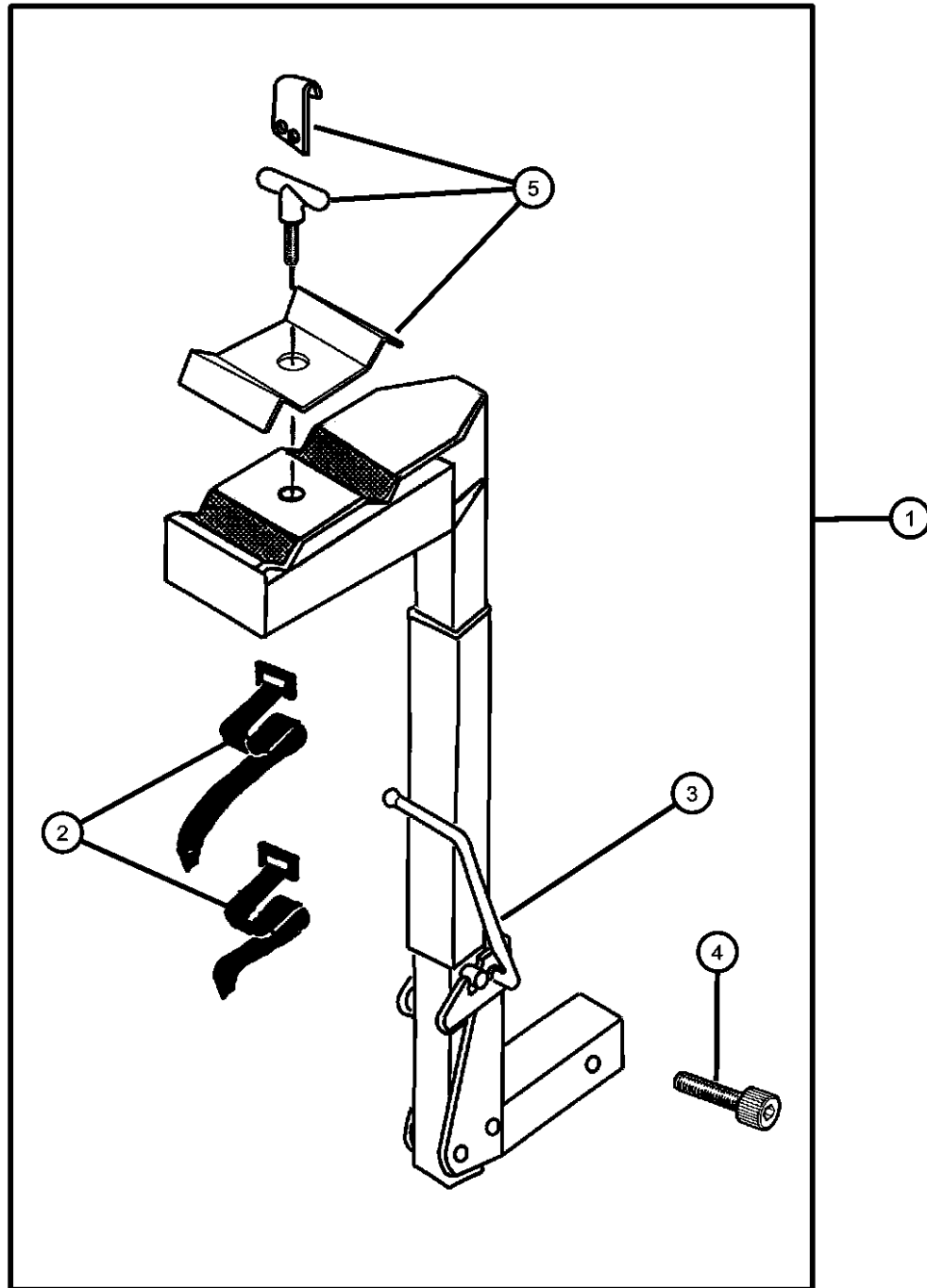
Bike Carrier - Hitch Mount Two Bike
Figure 1-210

ITEM	PART NUMBER	QTY	LINE	SERIES	BODY	ENGINE	TRANS	TRIM	DESCRIPTION
------	-------------	-----	------	--------	------	--------	-------	------	-------------

NOTE: Folds down for access to rear deck, has anti theft bolts.

1	82204453	1							CARRIER KIT, Bike, 2.0 Inch Receiver Hitch Required
2	04762880	1							STRAP KIT, Velcro
3	05016775AA	1							STRAP KIT, Bike Carrier Latch
4	05016776AA	1							BOLT KIT, Security
5	05018825AA	1							HARDWARE KIT, Bike Carrier

CARRIER KIT, Bike, 2.0 Inch Receiver Hitch Required
 STRAP KIT, Velcro
 STRAP KIT, Bike Carrier Latch
 BOLT KIT, Security
 HARDWARE KIT, Bike Carrier



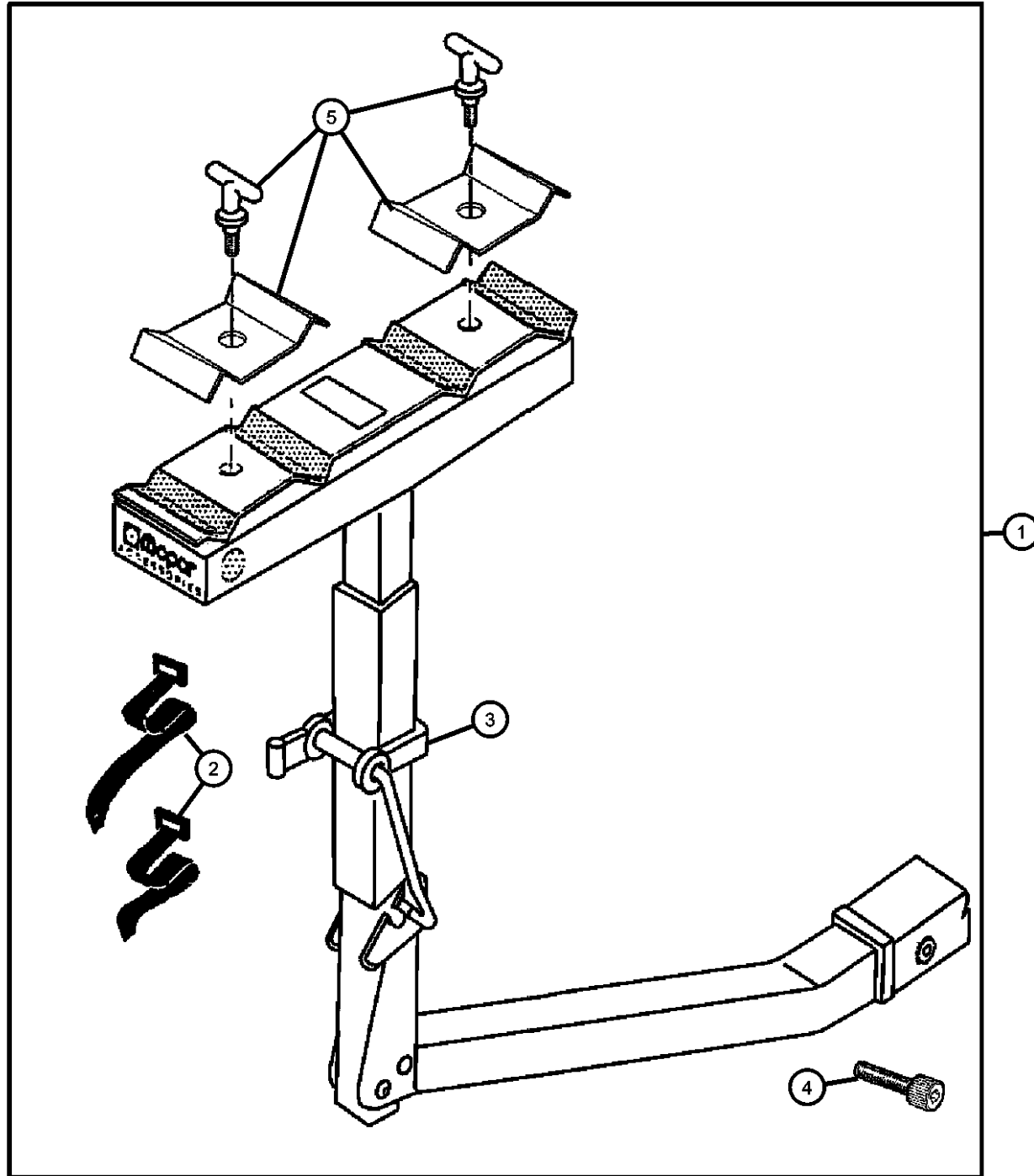
PACIFICA (CS)

SERIES	LINE	BODY	ENGINE	TRANSMISSION
S = Sport	C = CHRYSLER (AWD) Y = CHRYSLER (FWD)	74 = 4 Door	EGN = Engine - 3.5L V6 24V MPI	DGL = 4 Speed Automatic (41TE-AE)

AR = use ase required - = Non illustrated part

**Bike Carrier Hitch Mount, Four Bike
Figure 1-211**

ITEM	PART NUMBER	QTY	LINE	SERIES	BODY	ENGINE	TRANS	TRIM	DESCRIPTION
1	82204328	1							CARRIER KIT, Bike, 2.0 Inch Receiver Hitch Required
2	04762880	1							STRAP KIT, Velcro
3	05016775AA	1							STRAP KIT, Bike Carrier Latch
4	05016776AA	1							BOLT KIT, Security
5	05018825AA	1							HARDWARE KIT, Bike Carrier



PACIFICA (CS)

SERIES	LINE	BODY	ENGINE	TRANSMISSION
S = Sport	C = CHRYSLER (AWD) Y = CHRYSLER (FWD)	74 = 4 Door	EGN = Engine - 3.5L V6 24V MPI	DGL = 4 Speed Automatic (41TE-AE)

AR = use ase required - = Non illustrated part

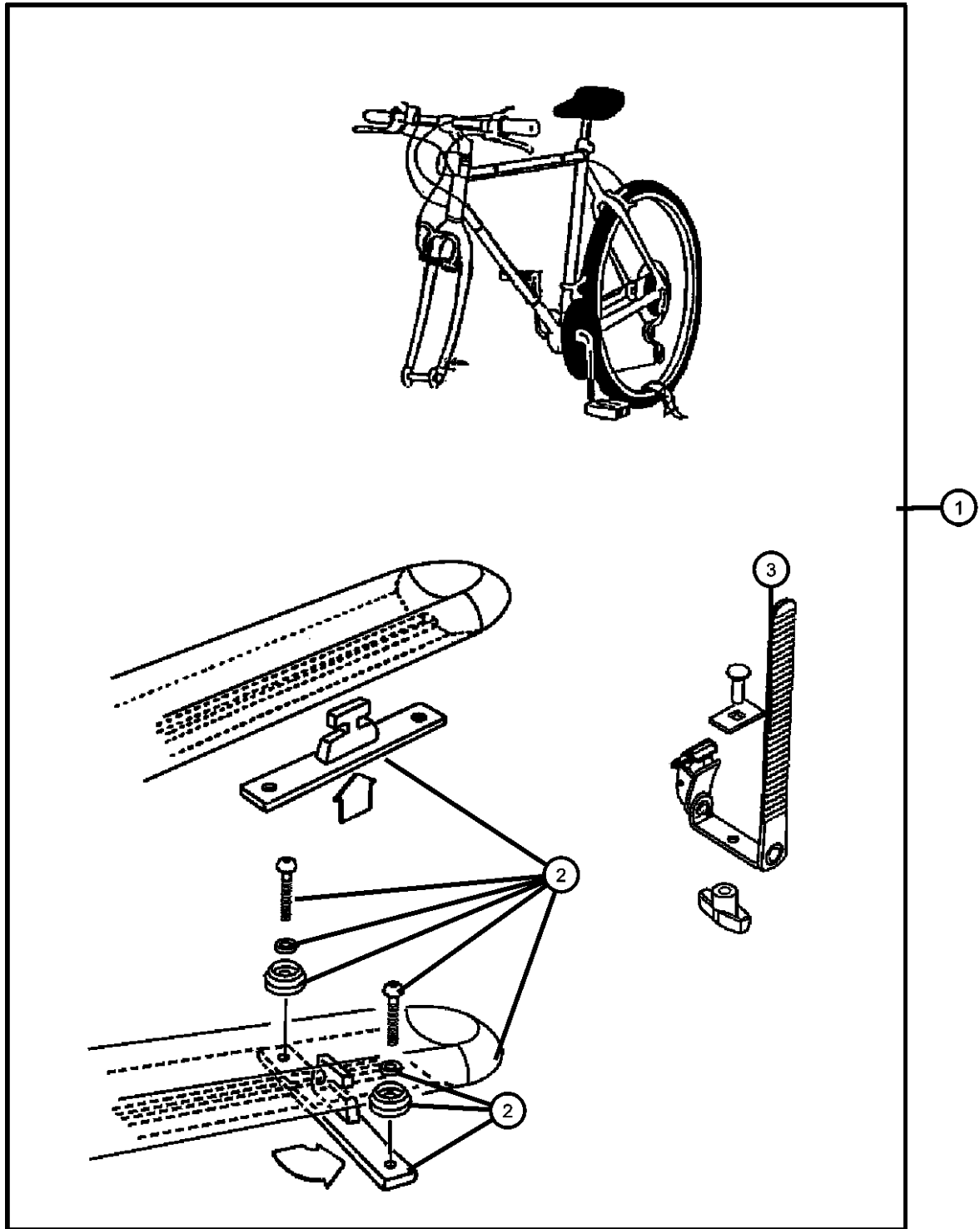
Bike Carrier - Roof, Fork Mount Style
Figure 1-212

ITEM	PART NUMBER	QTY	LINE	SERIES	BODY	ENGINE	TRANS	TRIM	DESCRIPTION
------	-------------	-----	------	--------	------	--------	-------	------	-------------

NOTE: Hardware Kit also contained in Carrier Kit.

1	82207943	1							CARRIER KIT, Bike, Fork - Mount
2	05093779AA	1							HARDWARE KIT, Accessory
3	05114532AA	1							STRAP, Cargo Tie Down

CARRIER KIT, Bike, Fork - Mount
HARDWARE KIT, Accessory
STRAP, Cargo Tie Down



PACIFICA (CS)

SERIES	LINE	BODY	ENGINE	TRANSMISSION
S = Sport	C = CHRYSLER (AWD) Y = CHRYSLER (FWD)	74 = 4 Door	EGN = Engine - 3.5L V6 24V MPI	DGL = 4 Speed Automatic (41TE-AE)

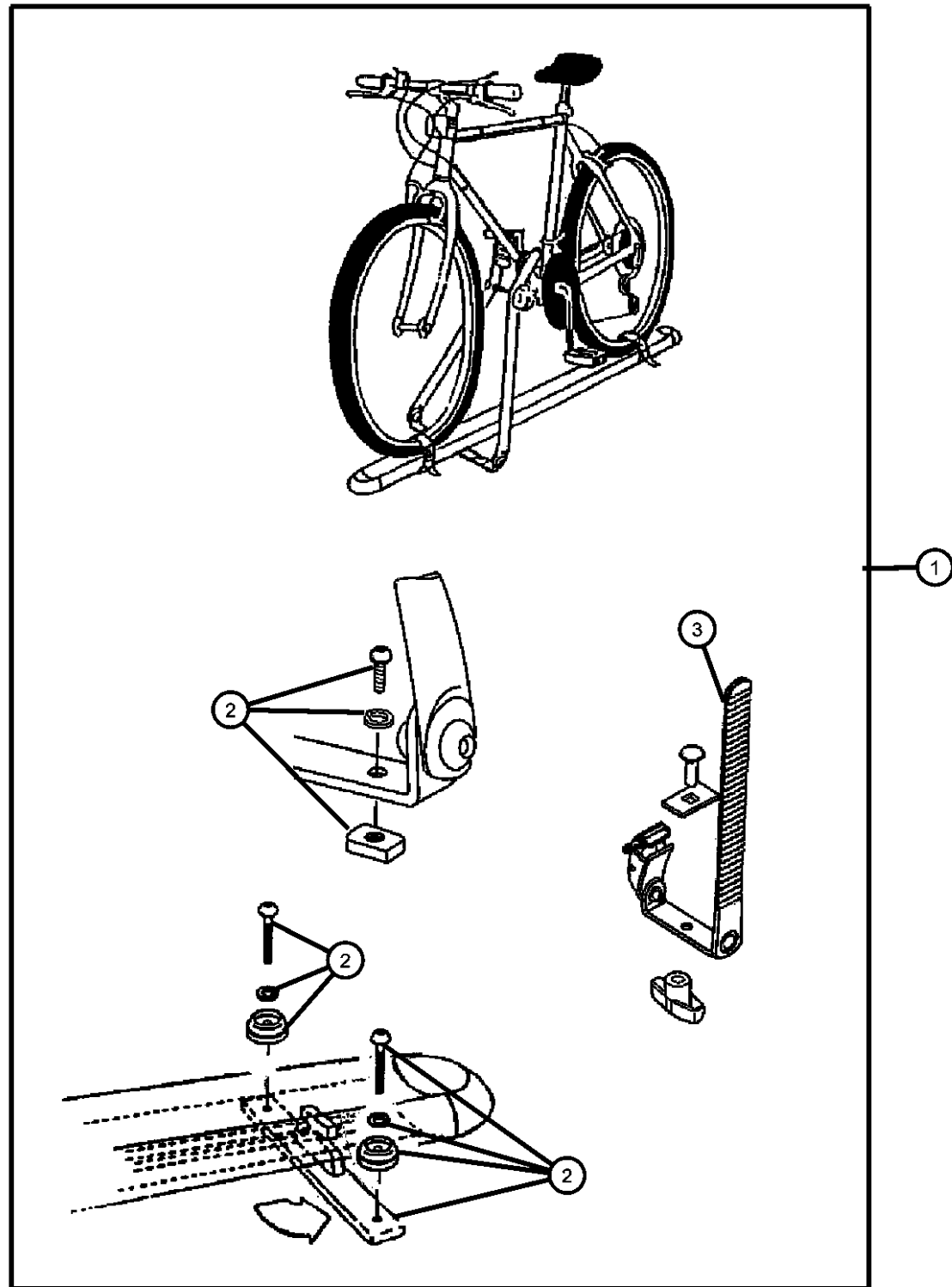
AR = use ase required - = Non illustrated part

2004 CS

Bike Carrier - Roof Upright Mount Style
Figure 1-214

ITEM	PART NUMBER	QTY	LINE	SERIES	BODY	ENGINE	TRANS	TRIM	DESCRIPTION
------	-------------	-----	------	--------	------	--------	-------	------	-------------

1	82207942	1							CARRIER KIT, Bike, Upright - Mount
2	05093779AA	1							HARDWARE KIT, Accessory
3	05114532AA	1							STRAP, Cargo Tie Down



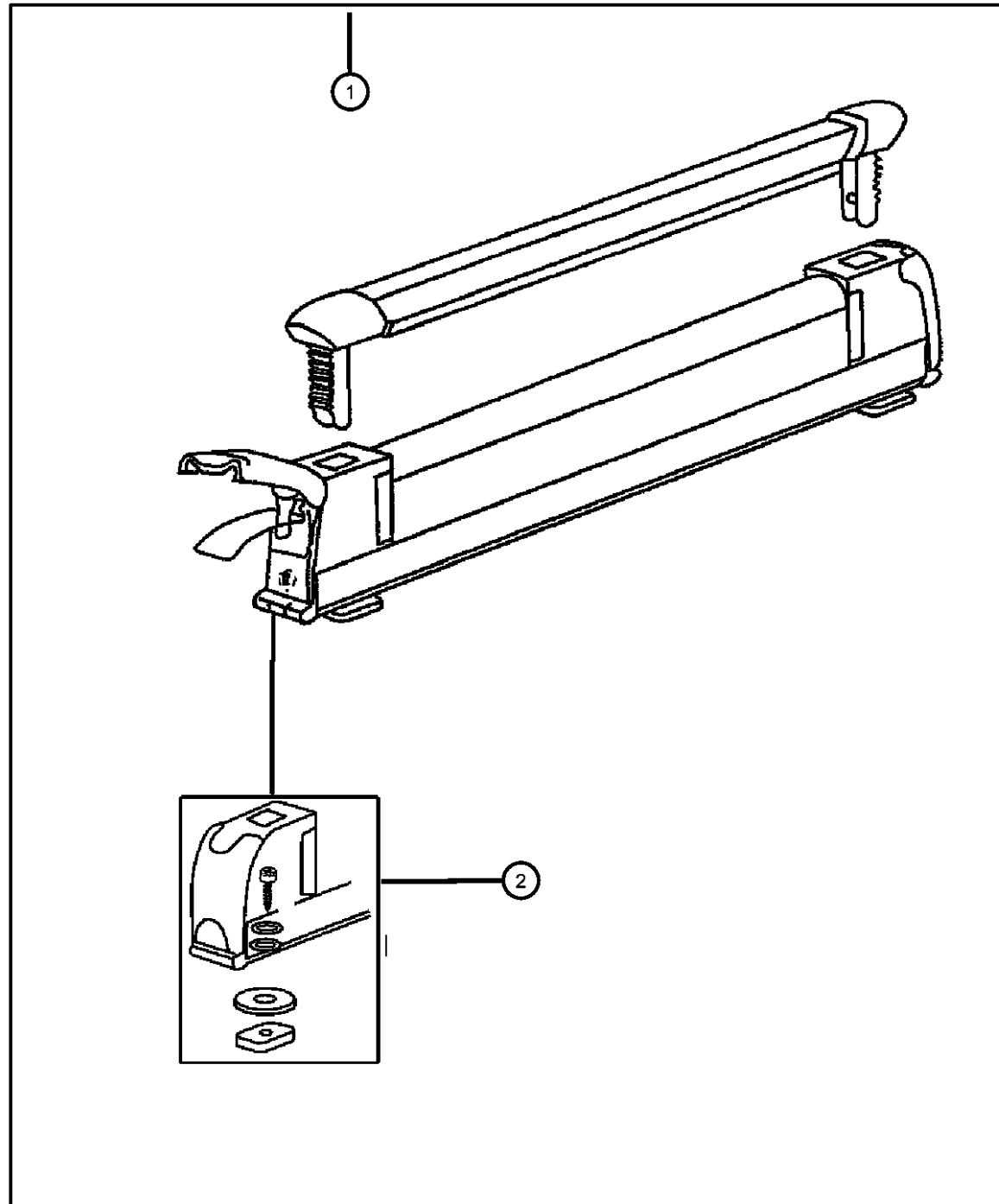
PACIFICA (CS)

SERIES	LINE	BODY	ENGINE	TRANSMISSION
S = Sport	C = CHRYSLER (AWD) Y = CHRYSLER (FWD)	74 = 4 Door	EGN = Engine - 3.5L V6 24V MPI	DGL = 4 Speed Automatic (41TE-AE)

AR = use ase required - = Non illustrated part

2004 CS

Ski Carrier - Roof
Figure 1-224



ITEM	PART NUMBER	QTY	LINE	SERIES	BODY	ENGINE	TRANS	TRIM	DESCRIPTION
1	82207308	1							CARRIER KIT, Ski
	82207312	1							6 Pair or 3 Snowboards
									3 Pair or 2 Snowboards
2	05086158AA	1							HARDWARE KIT, Accessory, Contains: 4 - 25MM Screws, 4 - 20M Screws, 4 - 16MM Screws, 4 - Lock Washers, 4 - Flat Washers, 4 - T Plates, 4 - Rubber Washers
-3	05066632AA	1							TOOL, Screw Driver

PACIFICA (CS)

SERIES	LINE	BODY	ENGINE	TRANSMISSION
S = Sport	C = CHRYSLER (AWD) Y = CHRYSLER (FWD)	74 = 4 Door	EGN = Engine - 3.5L V6 24V MPI	DGL = 4 Speed Automatic (41TE-AE)

AR = use ase required - = Non illustrated part

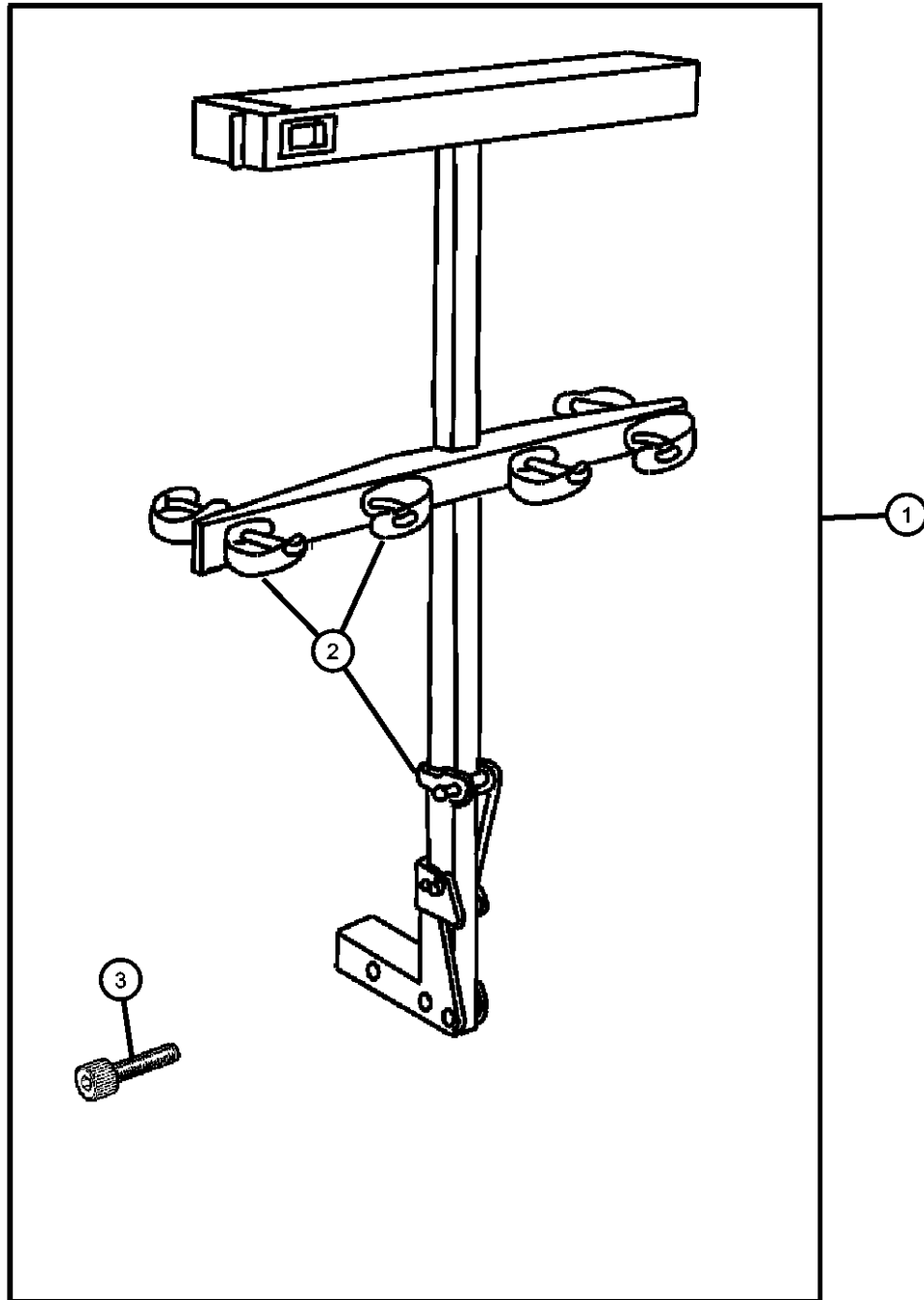
Ski Carrier - Hitch Mounted
Figure 1-225

ITEM	PART NUMBER	QTY	LINE	SERIES	BODY	ENGINE	TRANS	TRIM	DESCRIPTION
------	-------------	-----	------	--------	------	--------	-------	------	-------------

Note: 2.0 Inch Receiver Hitch Required

1	82204455	1							CARRIER KIT, Ski - 4 Pair
2	05016775AA	1							STRAP KIT, Bike Carrier Latch
3	05016776AA	1							BOLT KIT, Security

CARRIER KIT, Ski - 4 Pair
 STRAP KIT, Bike Carrier Latch
 BOLT KIT, Security



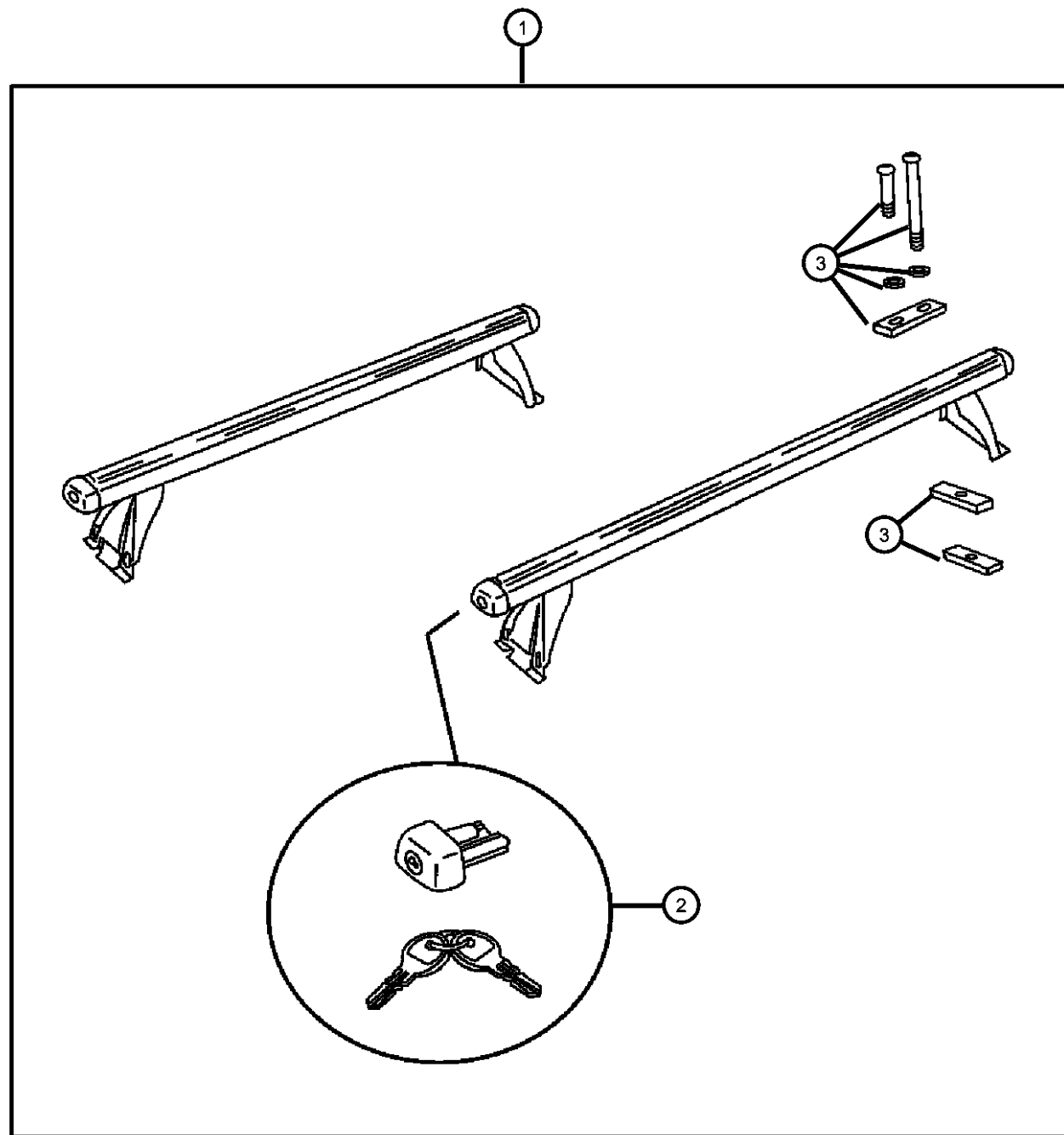
PACIFICA (CS)

SERIES	LINE	BODY	ENGINE	TRANSMISSION
S = Sport	C = CHRYSLER (AWD) Y = CHRYSLER (FWD)	74 = 4 Door	EGR = Engine - 3.5L V6 24V MPI	DGL = 4 Speed Automatic (41TE-AE)

AR = use ase required - = Non illustrated part

2004 CS

Rack Kit - Roof
Figure 1-230



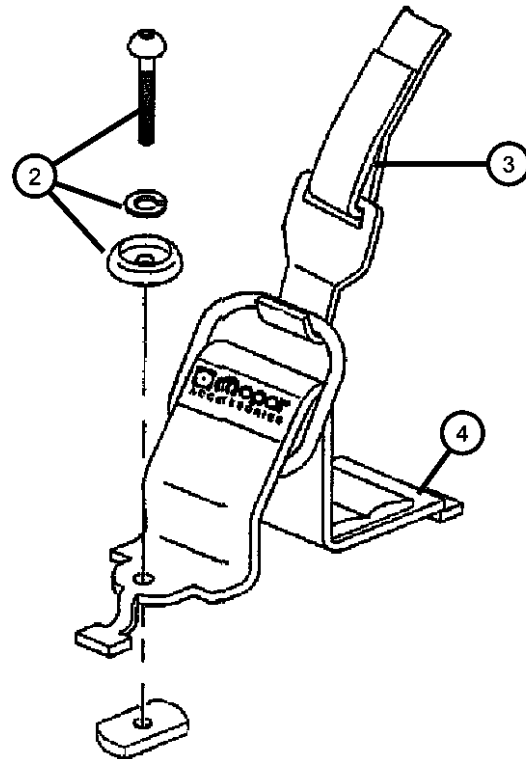
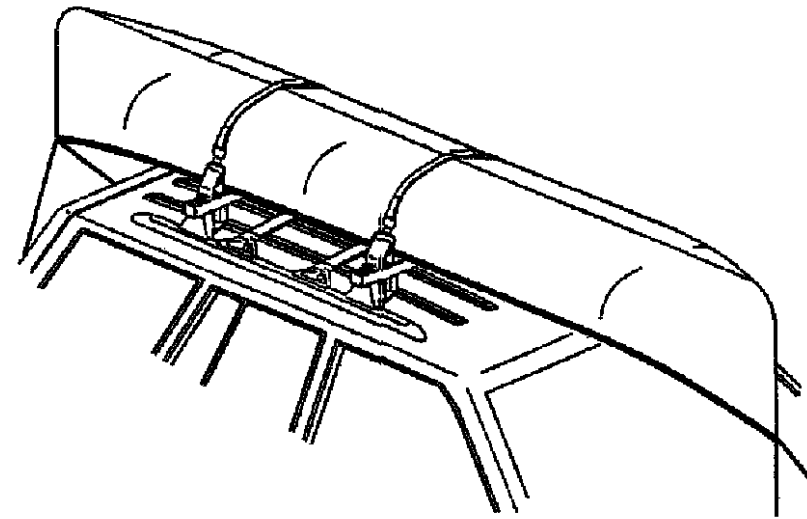
ITEM	PART NUMBER	QTY	LINE	SERIES	BODY	ENGINE	TRANS	TRIM	DESCRIPTION
1	82207944	1							RACK KIT, Multipurpose
2	05072276AA	1							END CAP, Roof Rack Side Rail
3	05066452AA	1							SUPPORT, Roof Rack
-4	05066632AA	1							TOOL, Screw Driver

PACIFICA (CS)

SERIES	LINE	BODY	ENGINE	TRANSMISSION
S = Sport	C = CHRYSLER (AWD) Y = CHRYSLER (FWD)	74 = 4 Door	EGN = Engine - 3.5L V6 24V MPI	DGL = 4 Speed Automatic (41TE-AE)

AR = use ase required - = Non illustrated part

Carrier Kit Roof - Canoe
Figure 1-231



ITEM	PART NUMBER	QTY	LINE	SERIES	BODY	ENGINE	TRANS	TRIM	DESCRIPTION
1	82204700	1							CARRIER KIT, Canoe
2	05016389AA	1							HARDWARE KIT, Accessory
3	05016511AA	1							STRAP, Cargo Tie Down
4	05016511AA	1							BRACKET, Cargo Tie Down, Serviced With Carrier Kit, (NOT SERVICED)

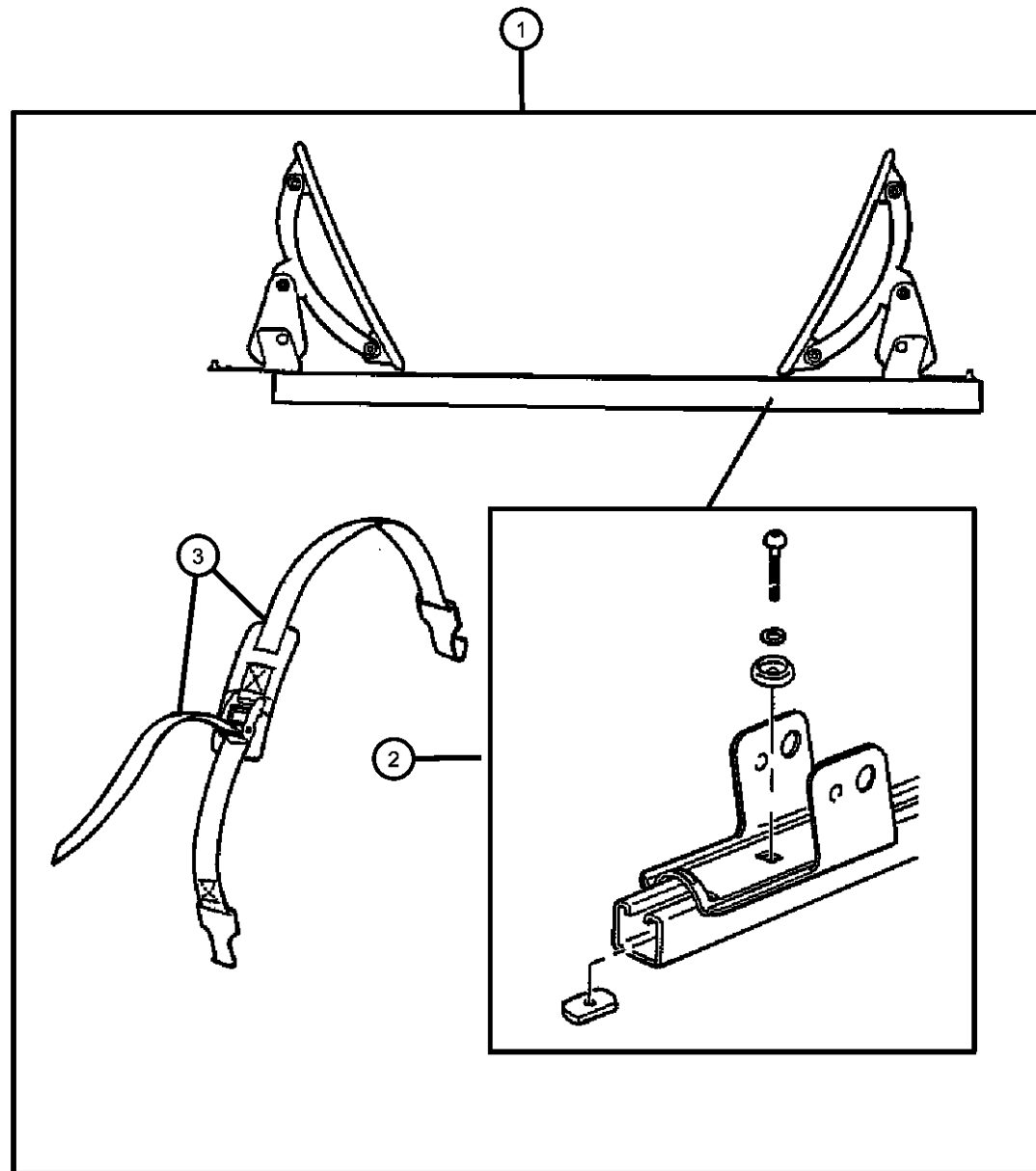
PACIFICA (CS)

SERIES	LINE	BODY	ENGINE	TRANSMISSION
S = Sport	C = CHRYSLER (AWD) Y = CHRYSLER (FWD)	74 = 4 Door	EGL = Engine - 3.5L V6 24V MPI	DGL = 4 Speed Automatic (41TE-AE)

AR = use ase required - = Non illustrated part

Carrier Kit Roof - Water Sports
Figure 1-232

ITEM	PART NUMBER	QTY	LINE	SERIES	BODY	ENGINE	TRANS	TRIM	DESCRIPTION
1	82205416	1							CARRIER KIT, Water Sports
2	05016389AA	1							HARDWARE KIT, Accessory
3	05016511AA	1							STRAP, Cargo Tie Down



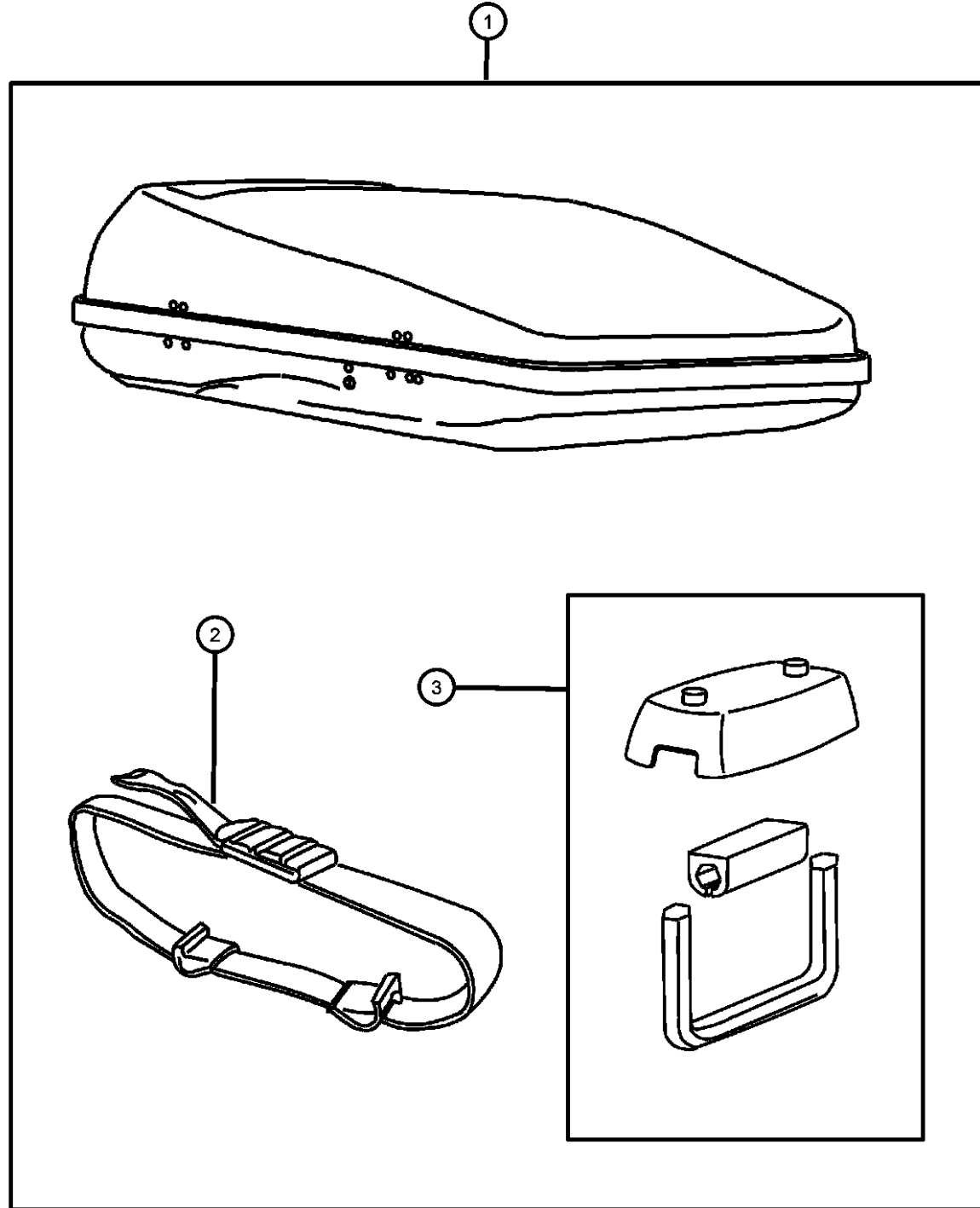
PACIFICA (CS)

SERIES	LINE	BODY	ENGINE	TRANSMISSION
S = Sport	C = CHRYSLER (AWD) Y = CHRYSLER (FWD)	74 = 4 Door	EGN = Engine - 3.5L V6 24V MPI	DGL = 4 Speed Automatic (41TE-AE)

AR = use ase required - = Non illustrated part

2004 CS

Luggage Carrier
Figure 1-235



ITEM	PART NUMBER	QTY	LINE	SERIES	BODY	ENGINE	TRANS	TRIM	DESCRIPTION
1	82207341	1							CARRIER KIT, Luggage 480 Liter Capacity
	82207353	1							440 Lter Capacity
2	05086160AA	1							STRAP, Cargo Tie Down
3	05086159AA	1							HARDWARE KIT

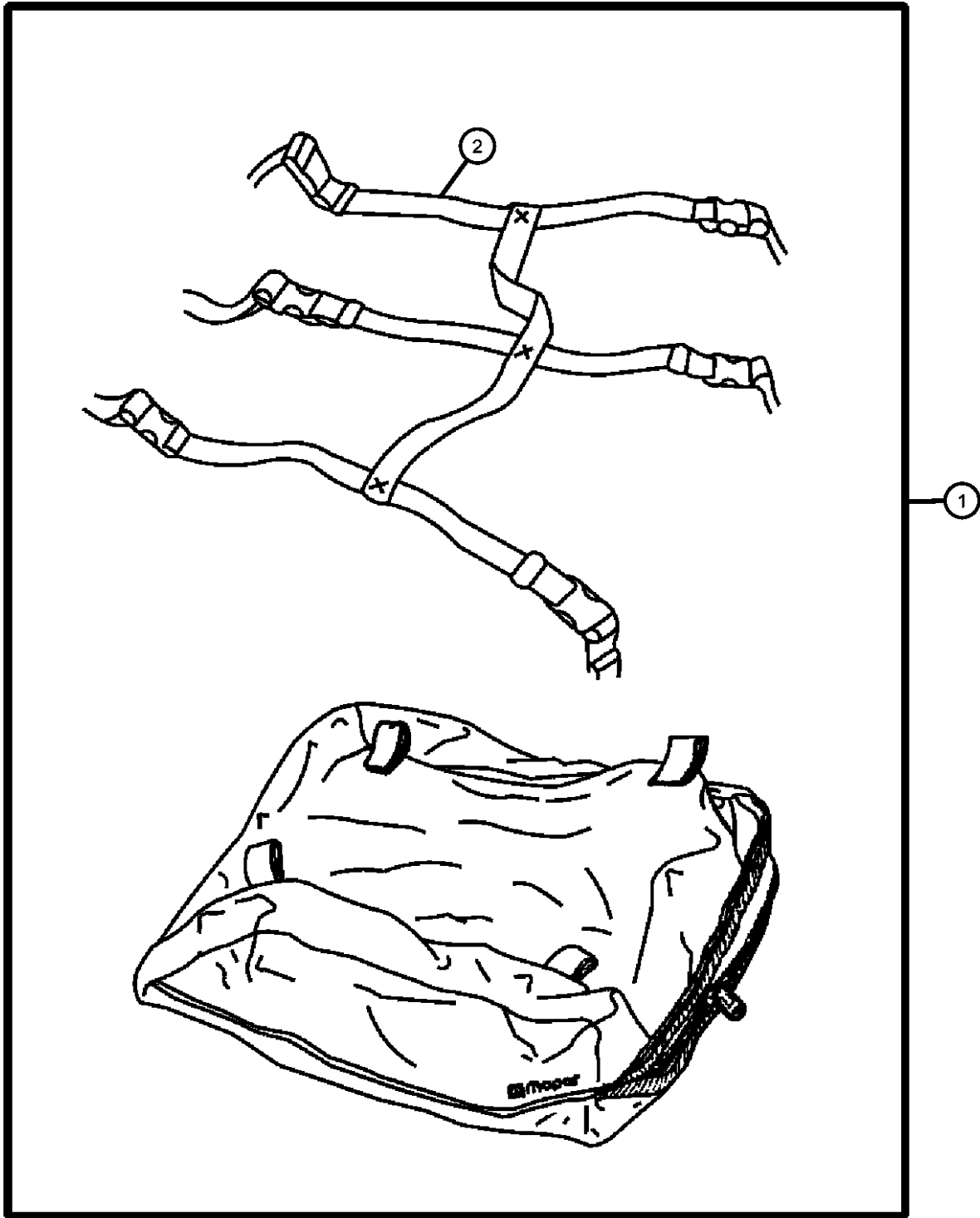
PACIFICA (CS)

SERIES	LINE	BODY	ENGINE	TRANSMISSION
S = Sport	C = CHRYSLER (AWD) Y = CHRYSLER (FWD)	74 = 4 Door	EGN = Engine - 3.5L V6 24V MPI	DGL = 4 Speed Automatic (41TE-AE)

AR = use ase required - = Non illustrated part

Luggage Carrier Roof, Vinyl
Figure 1-274

ITEM	PART NUMBER	QTY	LINE	SERIES	BODY	ENGINE	TRANS	TRIM	DESCRIPTION
1	82208301	1							CARRIER KIT, Luggage
2	05066332AA	1							STRAP KIT, Luggage Carrier



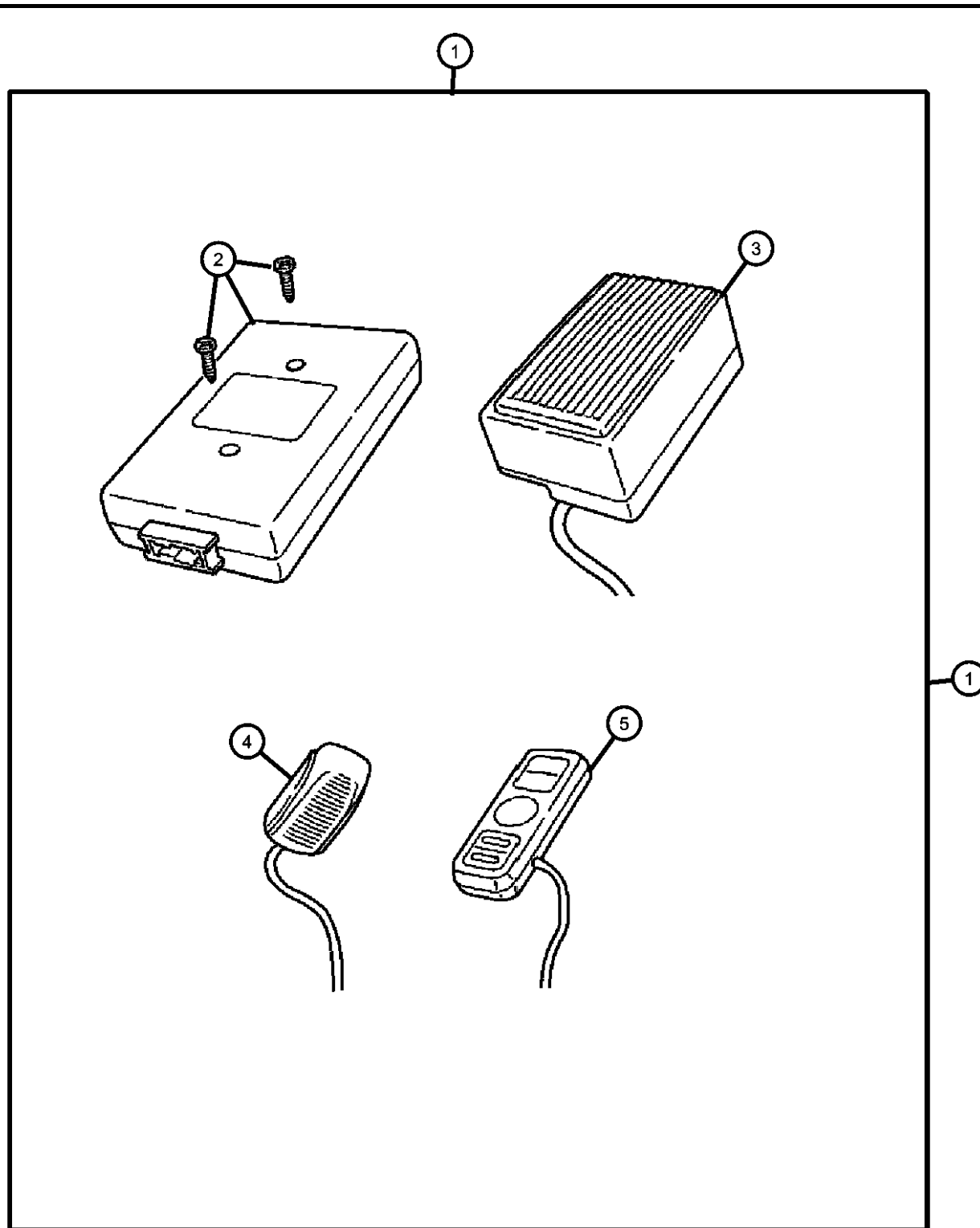
PACIFICA (CS)

SERIES	LINE	BODY	ENGINE	TRANSMISSION
S = Sport	C = CHRYSLER (AWD) Y = CHRYSLER (FWD)	74 = 4 Door	EGN = Engine - 3.5L V6 24V MPI	DGL = 4 Speed Automatic (41TE-AE)

AR = use ase required - = Non illustrated part

2004 CS

Hands Free Kit/Cellular Phone Blue Tooth
Figure 1-320



ITEM	PART NUMBER	QTY	LINE	SERIES	BODY	ENGINE	TRANS	TRIM	DESCRIPTION
1	82207853AD	1							HANDS FREE KIT, Cellular Phone
2	05114359AC	1							MODULE, U Connect
3	05102026AA	1							SPEAKER, Front
4	05102025AA	1							MICROPHONE, Audio
5	05102027AA	1							CONTROLLER, Audio

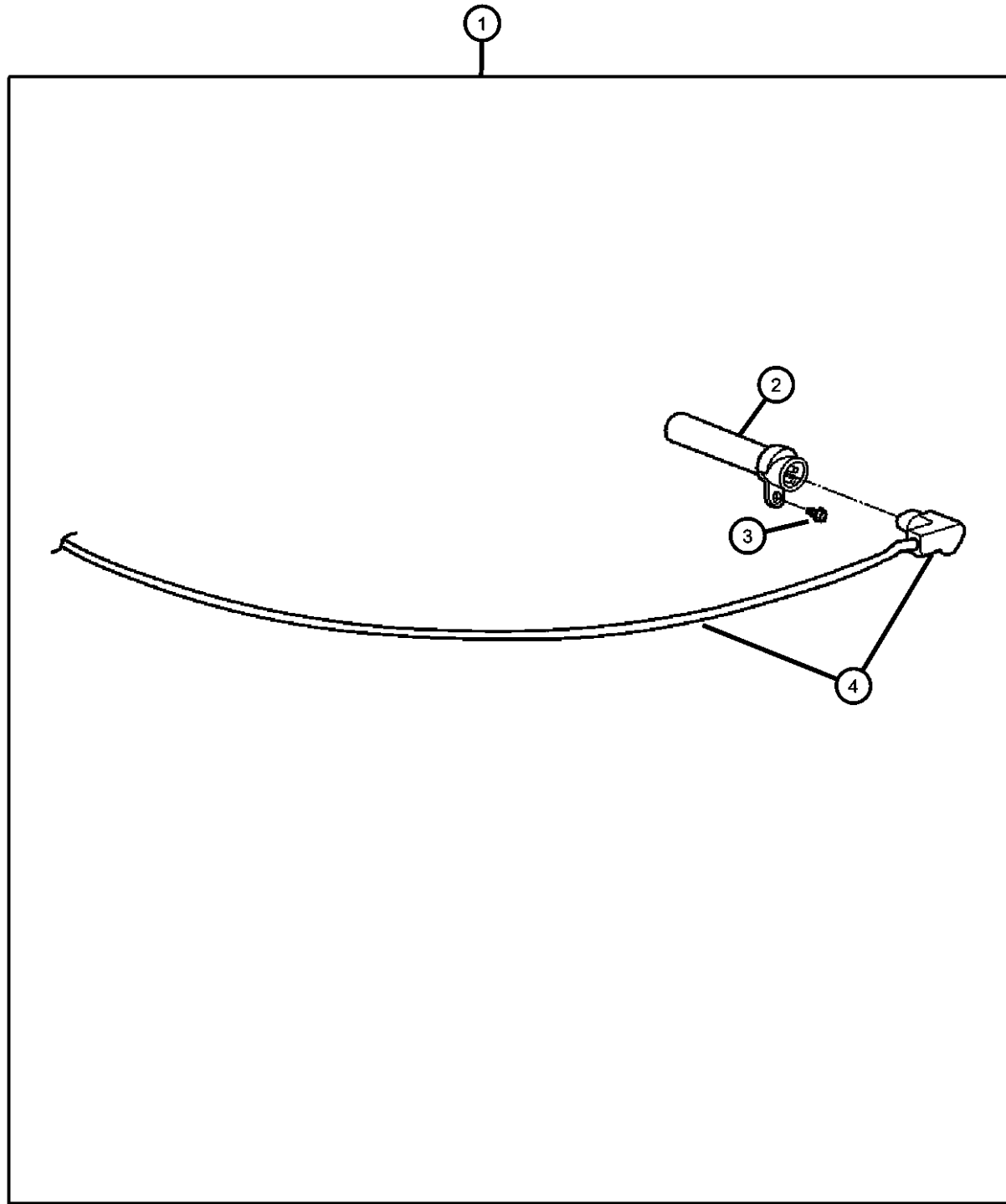
PACIFICA (CS)

SERIES	LINE	BODY	ENGINE	TRANSMISSION
S = Sport	C = CHRYSLER (AWD) Y = CHRYSLER (FWD)	74 = 4 Door	EGN = Engine - 3.5L V6 24V MPI	DGL = 4 Speed Automatic (41TE-AE)

AR = use ase required - = Non illustrated part

2004 CS

Heater Kit / Engine Block
Figure 1-610



ITEM	PART NUMBER	QTY	LINE	SERIES	BODY	ENGINE	TRANS	TRIM	DESCRIPTION
1	82208362	1							HEATER KIT, Engine Block
2	04609325AB	1							HEATER, Engine Block
3	06501957	1							SCREW
4	04868424AB	1							CORD, Engine Block Heater

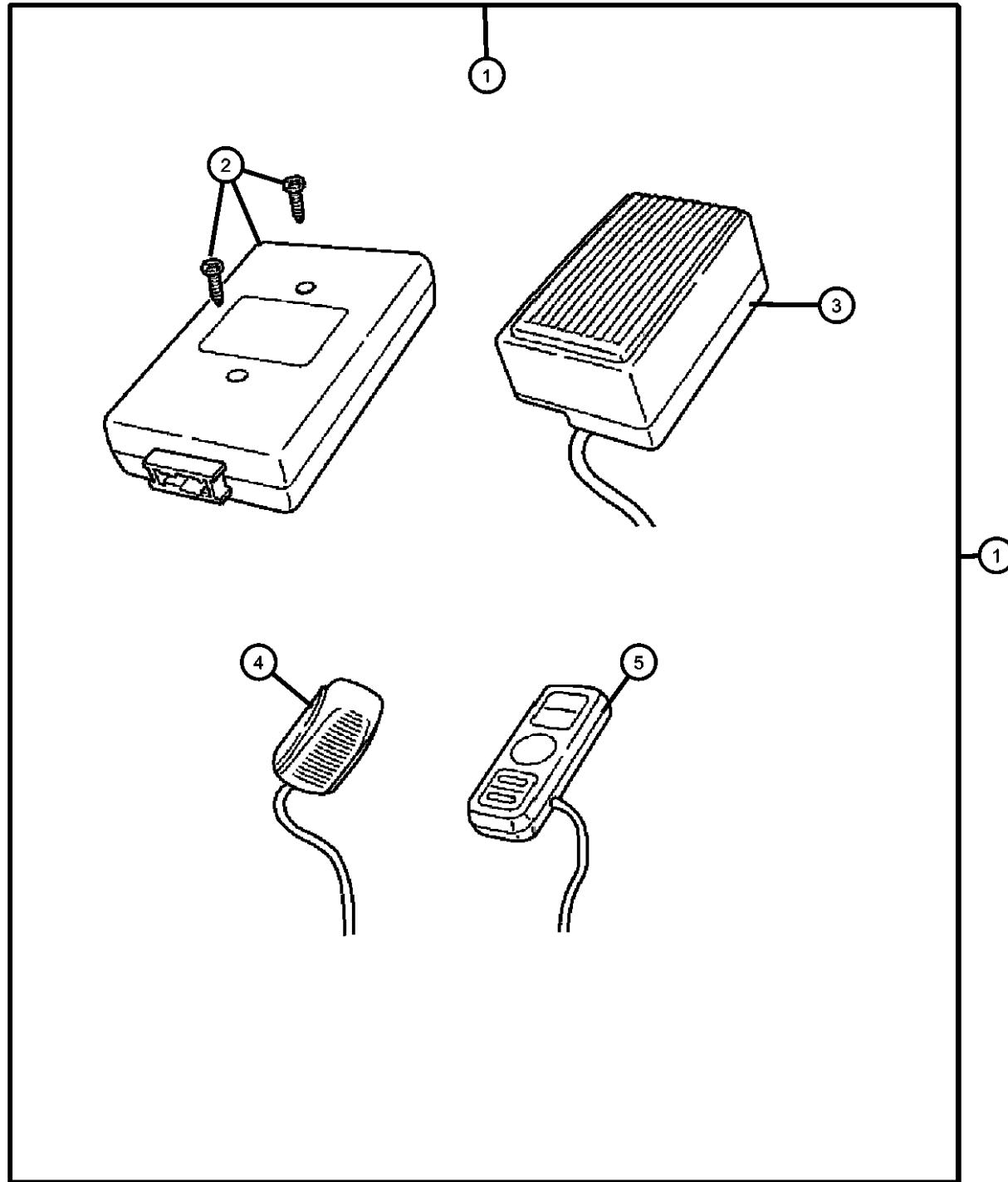
PACIFICA (CS)

SERIES	LINE	BODY	ENGINE	TRANSMISSION
S = Sport	C = CHRYSLER (AWD) Y = CHRYSLER (FWD)	74 = 4 Door	EGN = Engine - 3.5L V6 24V MPI	DGL = 4 Speed Automatic (41TE-AE)

AR = use ase required - = Non illustrated part

Hands-Free Kit / Cellular Phone - Blue Tooth
Figure 1-620

ITEM	PART NUMBER	QTY	LINE	SERIES	BODY	ENGINE	TRANS	TRIM	DESCRIPTION
------	-------------	-----	------	--------	------	--------	-------	------	-------------



Note: For Warranty Repair On Item 2, Order Through [GPOP] Function 11, Using Z Prefix

1	82207853AB	1							HANDS FREE KIT, Cellular Phone
2	05114359AA	1							MODULE, U Connect
3	05102026AA	1							SPEAKER, Front
4	05102025AA	1							MICROPHONE, Audio
5	05102027AA	1							CONTROLLER, Audio

PACIFICA (CS)

SERIES	LINE	BODY	ENGINE	TRANSMISSION
S = Sport	C = CHRYSLER (AWD) Y = CHRYSLER (FWD)	74 = 4 Door	EGN = Engine - 3.5L V6 24V MPI	DGL = 4 Speed Automatic (41TE-AE)

AR = use ase required - = Non illustrated part

2004 CS

Group - 2

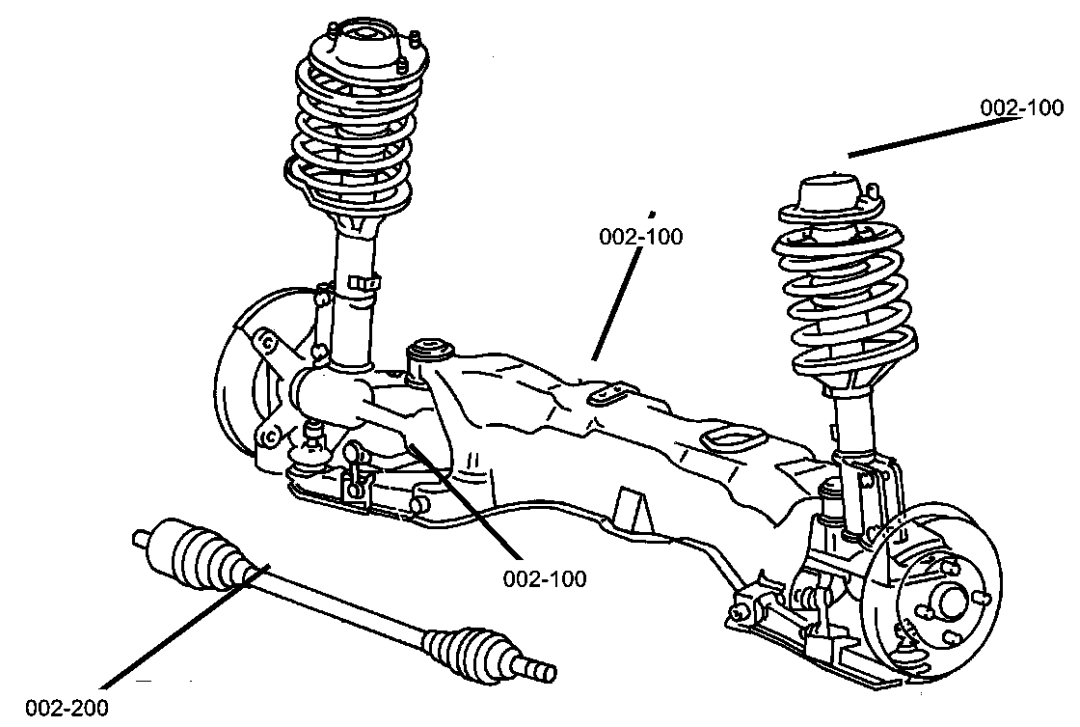
Front Suspension & Drive

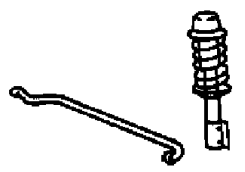
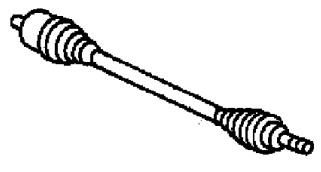
Group - 2 Front Suspension & Drive

Illustration Title

Group-Fig. No.

Front Suspension	
Suspension, Front.....	Fig. 2 - 110
Front Axle Drive Shafts	
Shaft, Front Drive	Fig. 2 - 210



<p>002-100 Front Suspension</p> 	<p>002-200 Front Axle Drive Shafts</p> 		
--	---	--	--