

### VIN PLATE DECODING INFORMATION

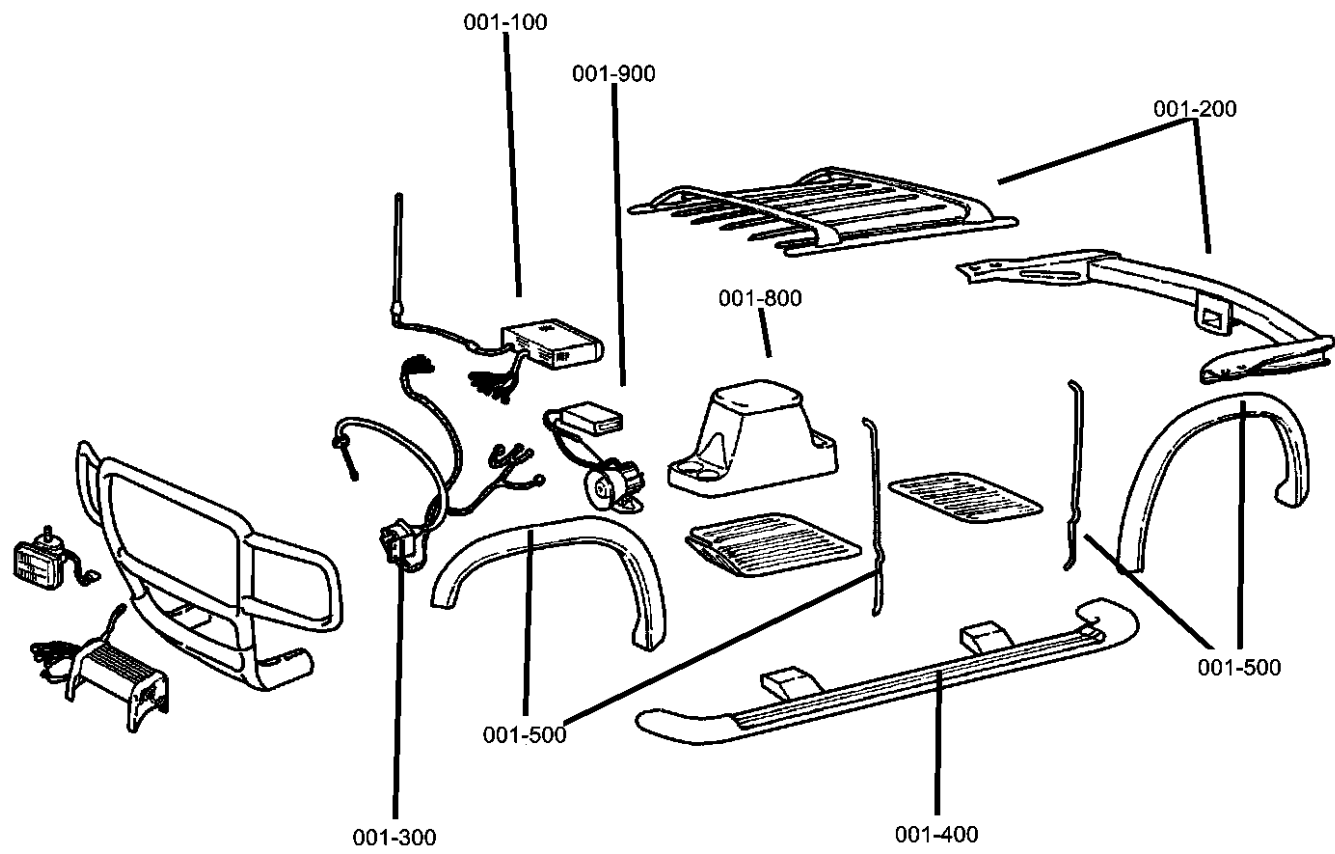
1	2	3	4	5	6	7	8	9	10	11	12 thru 17
Country	Make	Vehicle Type	Other	Line	Series	Body Style	Engine	Check Digit	Model Year	Assy. Plant	Sequence No.

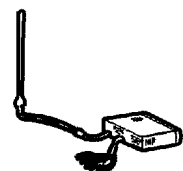
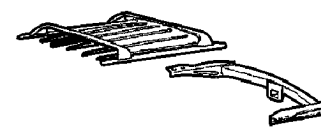

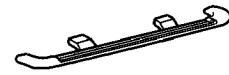
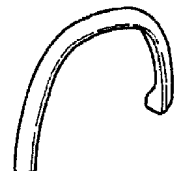


The following table interprets the VIN Plate position shown above.

Position	Interpretation	Codes = Description
1	Country of Origin	2 = Built in Canada by DaimlerChrysler Canada Inc. 1 = Built in U.S. by DaimlerChrysler Corporation
2	Assembler	C = Chrysler B = Dodge D = Dodge
3	Vehicle Type	8 = Multipurpose Pass. Vehicle Less Side Air Bags 4 = Multipurpose Passenger Vehicle With Side Air Bags
4	GVWR & Pass. Safety	F = 1815 - 2267 kg (4001 - 5000 lbs) G = 2268 - 2721 kg (5001 - 6000 lbs) H = 2722 - 3175 kg (6001 - 7000 lbs)
5	Vehicle Line	1 = Caravan (FWD) 1 = Caravan - FWD (Chrysler) P = Caravan/Grand Caravan (FWD) P = Caravan/Grand Caravan FWD (Dodge) C = Chrysler Town & Country (AWD) Y = Chrysler Town & Country/Voyager (FWD) K = Dodge Grand Caravan (FWD) D = Dodge Grand Caravan/Caravan (AWD) T = Grand Caravan AWD (Dodge) T = Grand Caravan/Town & Country (AWD) P = Town & Country (FWD) P = Town & Country - FWD/AWD (Chrysler) T = Town & Country - FWD/AWD (Chrysler) J = Voyager/Grand Voyager (FWD) J = Voyager/Grand Voyager FWD (Chrysler) P = Caravan/Grand Caravan (FWD)
6	Series	2 = Dodge Caravan/Grand Caravan SE (FWD) 4 = Dodge Caravan/Grand Caravan Sport (FWD/AWD) 5 = Grand Caravan ES (FWD/AWD) 7 = Grand Caravan EX (FWD) 3 = Grand Caravan/Town & Country EL (FWD) 4 = Grand Voyager LX H = LX, Sport P = LXI, ES S = Limited 4 = Town & Country LX (FWD) 4 = Town & Country LX Long Wheel Base FWD 6 = Town & Country Limited Long Wheel Base FWD 5 = Town & Country Touring Long Wheel Base FWD 2 = Voyager (FWD) 2 = Voyager Short Wheel Base FWD L = Base 4 = Caravan, Voyager LX, Town & Country Short Wheel Base FWD 2 = Caravan/Grand Caravan SE, LX, C/V (FWD) 4 = Caravan/Grand Caravan Sport (FWD/AWD) 5 = Dodge Caravan/Grand Caravan ES (FWD/AWD) 7 = Dodge Caravan/Grand Caravan EX (FWD)
7	Body Style	5 = NS-52 4 = NS-53

# Group - 1

## Component Parts for Mopar Accessories



<p><b>001-100</b> Audio &amp; Electronics</p> 	<p><b>001-200</b> Carriers &amp; Cargo Hauling</p> 	<p><b>001-300</b> Driver Convenience</p> 	<p><b>001-400</b> Exterior Appearance</p> 
<p><b>001-500</b> Exterior Protection</p> 	<p><b>001-600</b> Fog Lights &amp; Electrical</p> 	<p><b>001-900</b> Security</p> 	

---

## Group - 1 Component Parts for Mopar Accessories

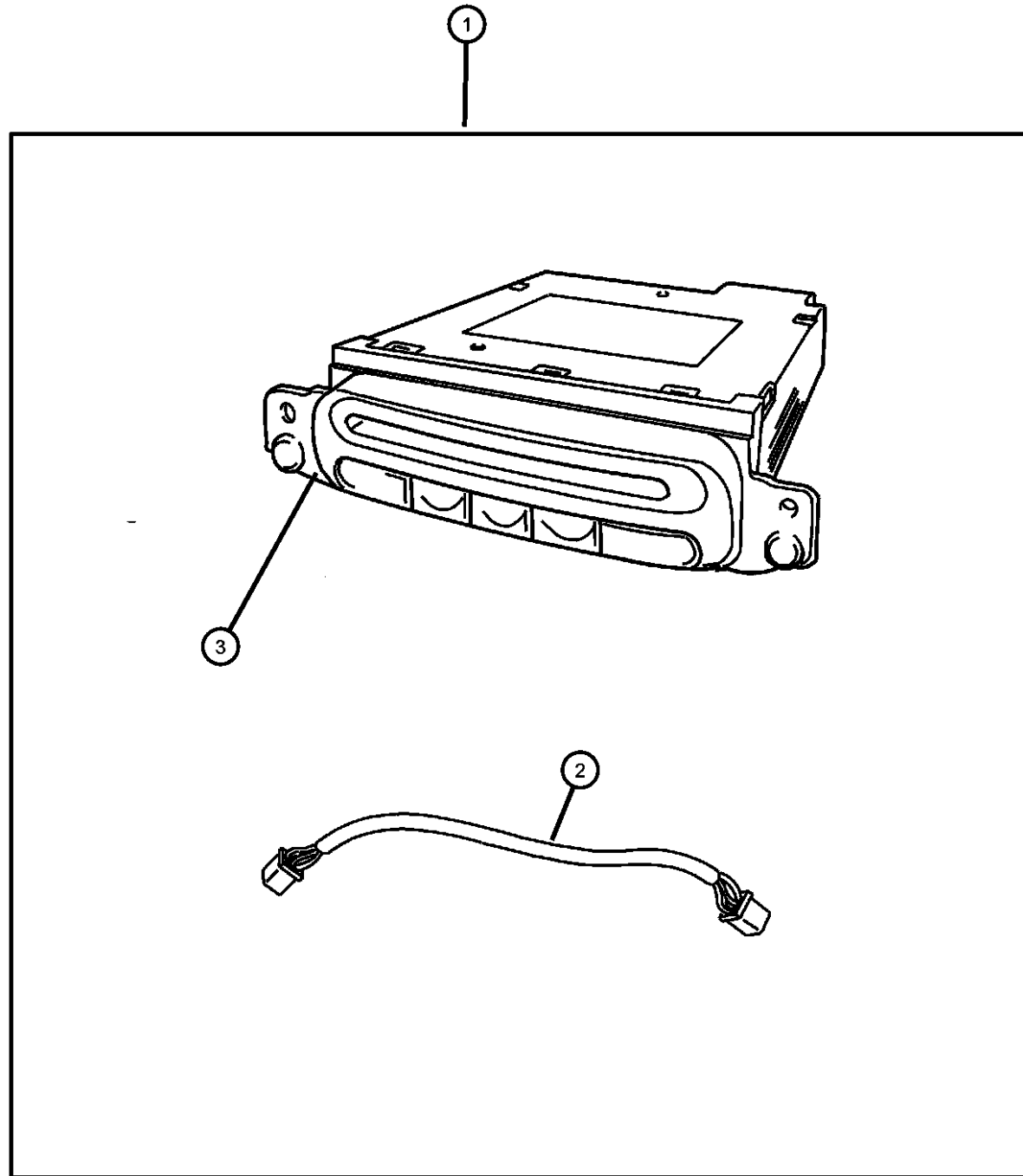
Illustration Title	Group-Fig. No.
<b>Audio &amp; Electronics</b>	
Player Kit - CD Changer - 6 Disc.....	Fig. 1 - 110
Navigation Kit With RB4 Radio.....	Fig. 1 - 130
Navigation Kit With RB1 Radio.....	Fig. 1 - 135
Media System - Rear Seat, With Sunroof.....	Fig. 1 - 140
Media System - Rear Seat, Without Sunroof.....	Fig. 1 - 145
Media System Without DVD.....	Fig. 1 - 150
Media System With DVD.....	Fig. 1 - 151
Media System - 10 inch Entertainment System.....	Fig. 1 - 152
Satellite Receiver Kit.....	Fig. 1 - 155
Install Kit Satellite Receiver Without CD.....	Fig. 1 - 160
Install Kit Satellite Receiver With CD.....	Fig. 1 - 165
Module Kit - iPod Interface.....	Fig. 1 - 170
Receiver - Satellite.....	Fig. 1 - 175
<b>Carriers &amp; Cargo Hauling</b>	
Bike Carrier - Hitch Mount 1.25 inch Receiver.....	Fig. 1 - 210
Bike Carrier - Hitch Mount 2.0 inch Receiver.....	Fig. 1 - 215
Bike Carrier Roof - Fork Mount.....	Fig. 1 - 220
Bike Carrier Roof - Upright Mount.....	Fig. 1 - 225
Carrier Kit Ski 3 and 6 Pair.....	Fig. 1 - 230
Carrier Kit - Canoe.....	Fig. 1 - 240
Carrier Kit - Water Sports.....	Fig. 1 - 245
Carrier Kit - Luggage Roof.....	Fig. 1 - 250
Carrier kit - Vinyl Roof.....	Fig. 1 - 255
Rack Kit - Mulitpurpose.....	Fig. 1 - 260
<b>Driver Convenience</b>	
Hands Free Kit - Cellular Phone.....	Fig. 1 - 310
Remote Starter.....	Fig. 1 - 320
Sensor Package Park/Distance.....	Fig. 1 - 330
Control Kit - Speed.....	Fig. 1 - 340
<b>Exterior Appearance</b>	
Running Boards.....	Fig. 1 - 430
<b>Exterior Protection</b>	
Shield Kit - Air Front.....	Fig. 1 - 520
<b>Fog Lights &amp; Electrical</b>	
Light Kit - Fog.....	Fig. 1 - 610
Heater Kit.....	Fig. 1 - 620
<b>Security</b>	
Alarm Kit.....	Fig. 1 - 910

**Player Kit - CD Changer - 6 Disc**  
**Figure 1-110**

ITEM	PART NUMBER	QTY	LINE	SERIES	BODY	ENGINE	TRANS	TRIM	DESCRIPTION
------	-------------	-----	------	--------	------	--------	-------	------	-------------

Note: For Warranty Repair on Item 3, Order Using Z Prefix

1	82208936	1							PLAYER KIT, CD Changer - 6 Disc
2	04671841AA	1							WIRING, Compact Disc Changer
3	05064003AH	1							CHANGER, CD 6 Disc



**CARAVAN, VOYAGER, TOWN AND COUNTRY (RS)**

SERIES	LINE	BODY	ENGINE	TRANSMISSION
H = HIGHLINE	Y = CHRYSLER	53 = 119 WB	EDZ = 2.4L 4 Cyl DOHC 16V SMPI Engine	DFF = 4-Speed Automatic VLP 41TE Trans
L = LOWLINE	K = DODGE	52 = 113 WB	EGA = 3.3L V6 OHV Engine	DGL = 4-Speed Automatic Transmission
M = MEDIUM		13 = 119 WB	EGF = 3.5L High Output V6 24V MPI Engine	
P = PREMIUM		12 = 113 WB	EGH = 3.8L V6 OHV Engine	
S = SPORT			EGM = 3.3L V6 OHV FFV Engine	
X = SPECIAL				

AR = use ase required - = Non illustrated part

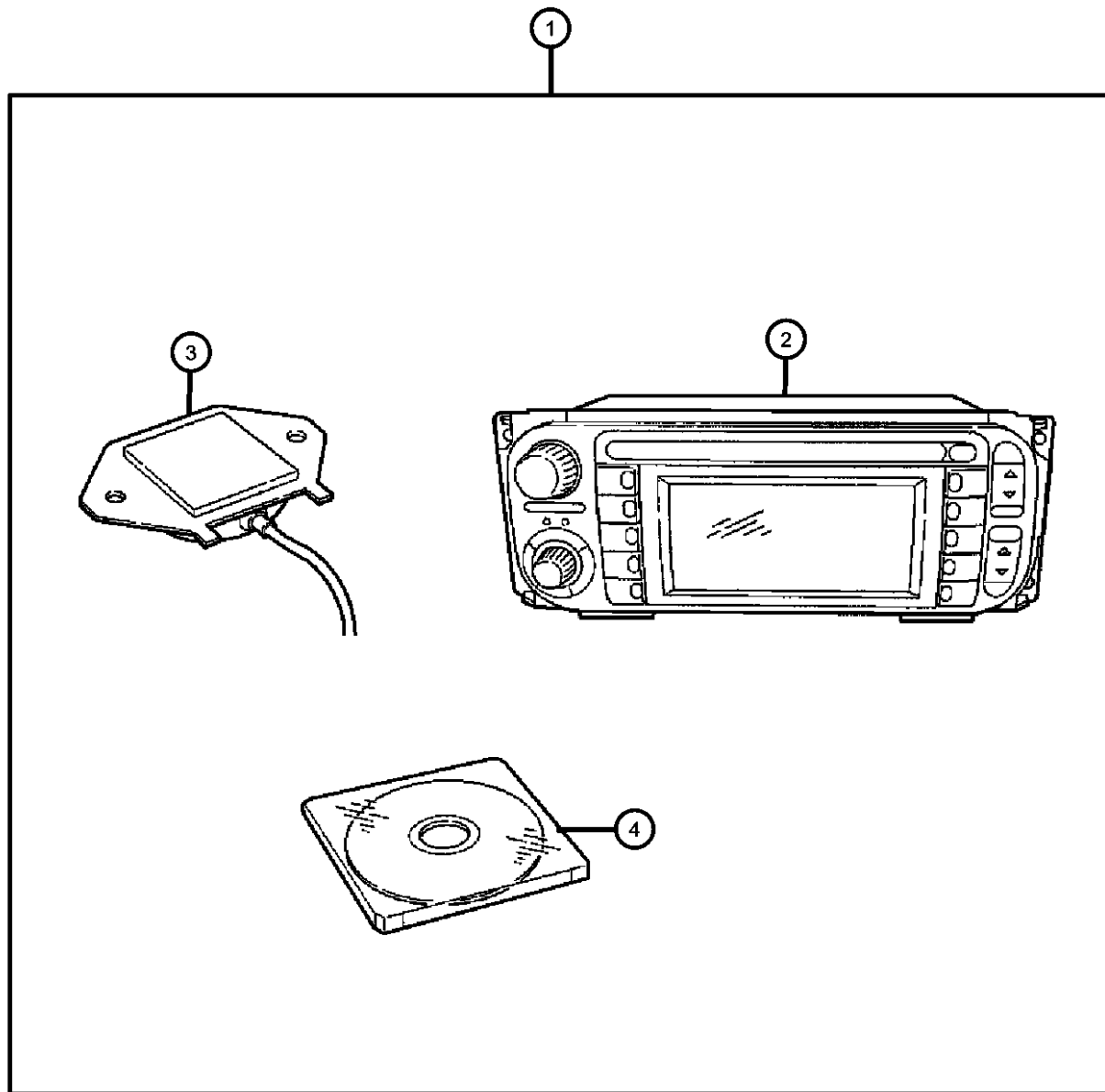
2007 RS

**Navigation Kit With RB4 Radio  
Figure 1-130**

ITEM	PART NUMBER	QTY	LINE	SERIES	BODY	ENGINE	TRANS	TRIM	DESCRIPTION
------	-------------	-----	------	--------	------	--------	-------	------	-------------

Note: For Warranty Repair on Item 2, Order Using Z Prefix

1	82208481	1							RADIO, AM/FM CD W/NAV/DVD & CD-CTRL, [RB4]
2	56043286AF	1							RADIO, AM/FM CD W/NAV/DVD & CD-CTRL
3	05094003AA	1							ANTENNA, Satellite
4	05091501AG	1							COMPACT DISC, Navigation



**CARAVAN, VOYAGER, TOWN AND COUNTRY (RS)**

SERIES	LINE	BODY	ENGINE	TRANSMISSION
H = HIGHLINE	Y = CHRYSLER	53 = 119 WB	EDZ = 2.4L 4 Cyl DOHC 16V SMPI Engine	DFF = 4-Speed Automatic VLP 41TE Trans
L = LOWLINE	K = DODGE	52 = 113 WB	EGA = 3.3L V6 OHV Engine	DGL = 4-Speed Automatic Transmission
M = MEDIUM		13 = 119 WB	EGF = 3.5L High Output V6 24V MPI Engine	
P = PREMIUM		12 = 113 WB	EGH = 3.8L V6 OHV Engine	
S = SPORT			EGM = 3.3L V6 OHV FFV Engine	
X = SPECIAL				

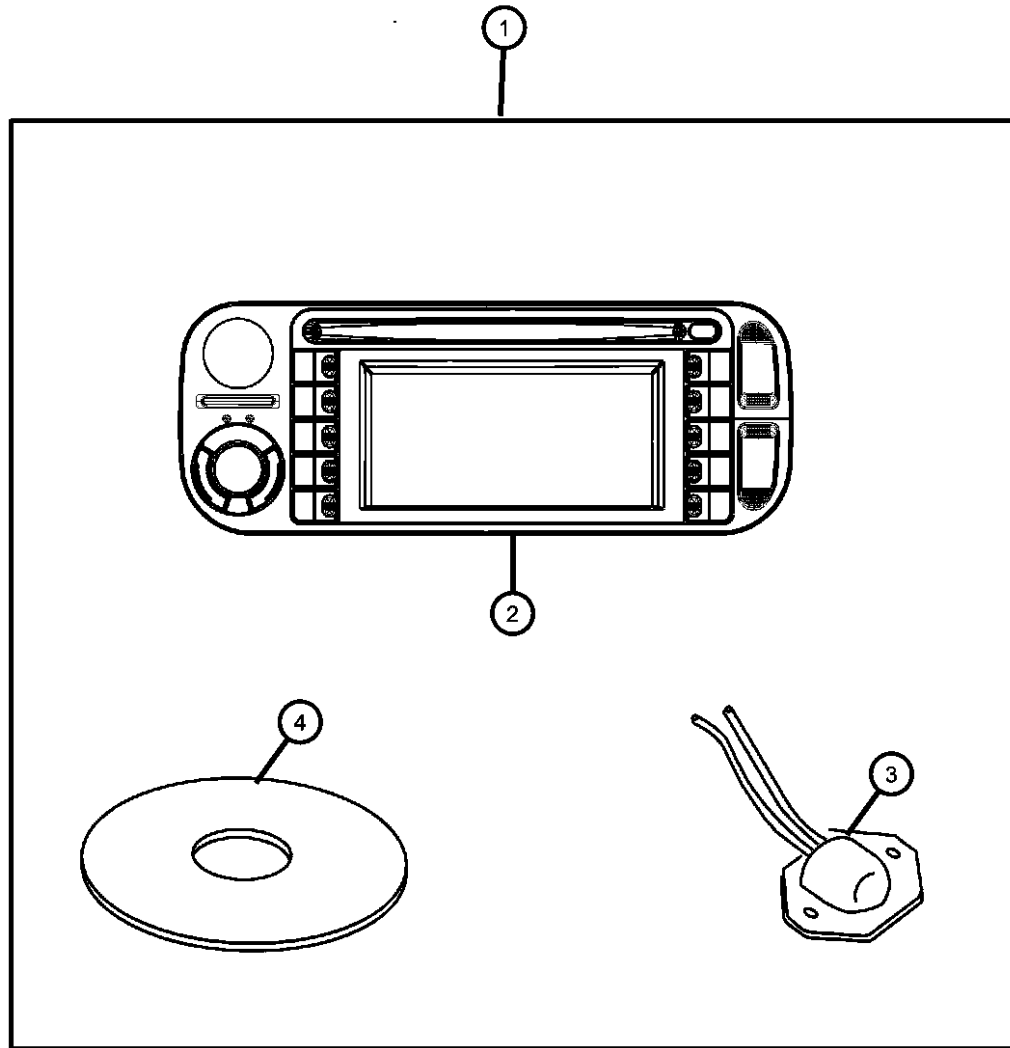
AR = use ase required - = Non illustrated part

Navigation Kit With RB1 Radio  
Figure 1-135

ITEM	PART NUMBER	QTY	LINE	SERIES	BODY	ENGINE	TRANS	TRIM	DESCRIPTION
------	-------------	-----	------	--------	------	--------	-------	------	-------------

Note: For Warranty Repair On Item 2, Order Using Z Prefix

1	82208715AE	1							RADIO, AM/FM CD W/NAV/DVD & CD-CTRL
2	56038629AI	1							RADIO, AM/FM CD W/NAV/DVD & CD-CTRL
3	56038630AA	1							ANTENNA, GPS
4	05064033AD	1							DVD, Geographic Database



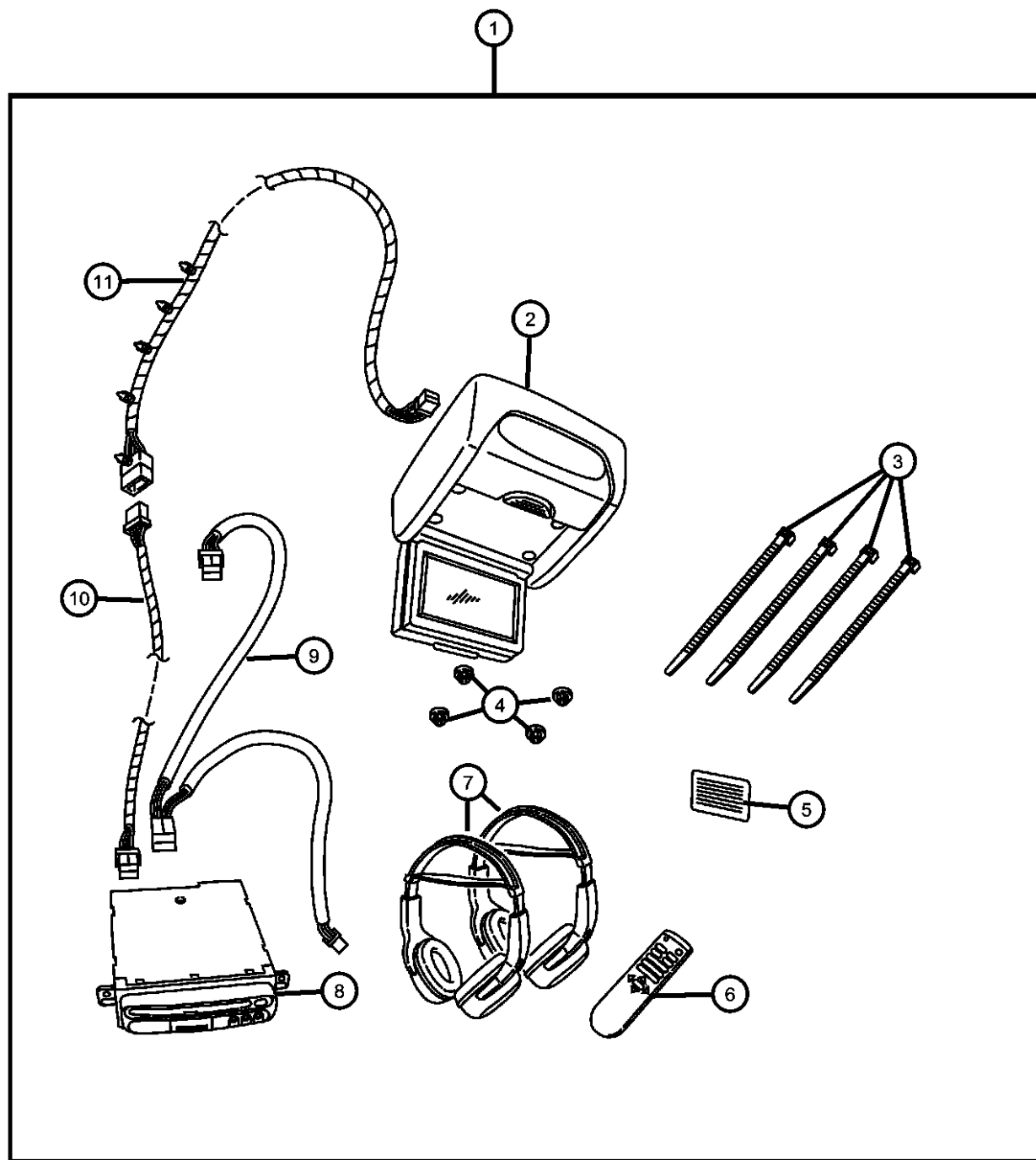
CARAVAN, VOYAGER, TOWN AND COUNTRY (RS)

SERIES	LINE	BODY	ENGINE	TRANSMISSION
H = HIGHLINE	Y = CHRYSLER	53 = 119 WB	EDZ = 2.4L 4 Cyl DOHC 16V SMPI Engine	DFF = 4-Speed Automatic VLP 41TE Trans
L = LOWLINE	K = DODGE	52 = 113 WB	EGA = 3.3L V6 OHV Engine	DGL = 4-Speed Automatic Transmission
M = MEDIUM		13 = 119 WB	EGF = 3.5L High Output V6 24V MPI Engine	
P = PREMIUM		12 = 113 WB	EGH = 3.8L V6 OHV Engine	
S = SPORT			EGM = 3.3L V6 OHV FFV Engine	
X = SPECIAL				

AR = use ase required - = Non illustrated part

2007 RS

**Media System - Rear Seat, With Sunroof**  
**Figure 1-140**



ITEM	PART NUMBER	QTY	LINE	SERIES	BODY	ENGINE	TRANS	TRIM	DESCRIPTION
------	-------------	-----	------	--------	------	--------	-------	------	-------------

Note: For Warranty Repair On Item 2, Order Using Z Prefix

1	82208807AB	1							MEDIA SYSTEM, Monitor w/o DVD
2	05140587AB	1							MONITOR, Media System
3	06015756	1							STRAP, Tie, Quantity of 4
4	06100045	1							NUT AND WASHER, Hex, M5x.80, Quantity of 4
5	05020533AA	1							LABEL, Mercury Warning
6	05094043AB	1							REMOTE, Wireless Infrared
7	05064037AA	1							HEADPHONES, Wireless
8	05094033AC	1							DVD CHANGER
9	04869388AC	1							WIRING, DVD Jumper
10	04868763AA	1							WIRING, DVD Jumper
11	04868754AA	1							WIRING, DVD to Screen
-12	05135244AA	1							LATCH KIT, Video Screen
-13	05143375AA	1							PANEL, CLOSEOUT

**CARAVAN, VOYAGER, TOWN AND COUNTRY (RS)**

SERIES	LINE	BODY	ENGINE	TRANSMISSION
H = HIGHLINE	Y = CHRYSLER	53 = 119 WB	EDZ = 2.4L 4 Cyl DOHC 16V SMPI Engine	DFF = 4-Speed Automatic VLP 41TE Trans
L = LOWLINE	K = DODGE	52 = 113 WB	EGA = 3.3L V6 OHV Engine	DGL = 4-Speed Automatic Transmission
M = MEDIUM		13 = 119 WB	EGF = 3.5L High Output V6 24V MPI Engine	
P = PREMIUM		12 = 113 WB	EGH = 3.8L V6 OHV Engine	
S = SPORT			EGM = 3.3L V6 OHV FFV Engine	
X = SPECIAL				

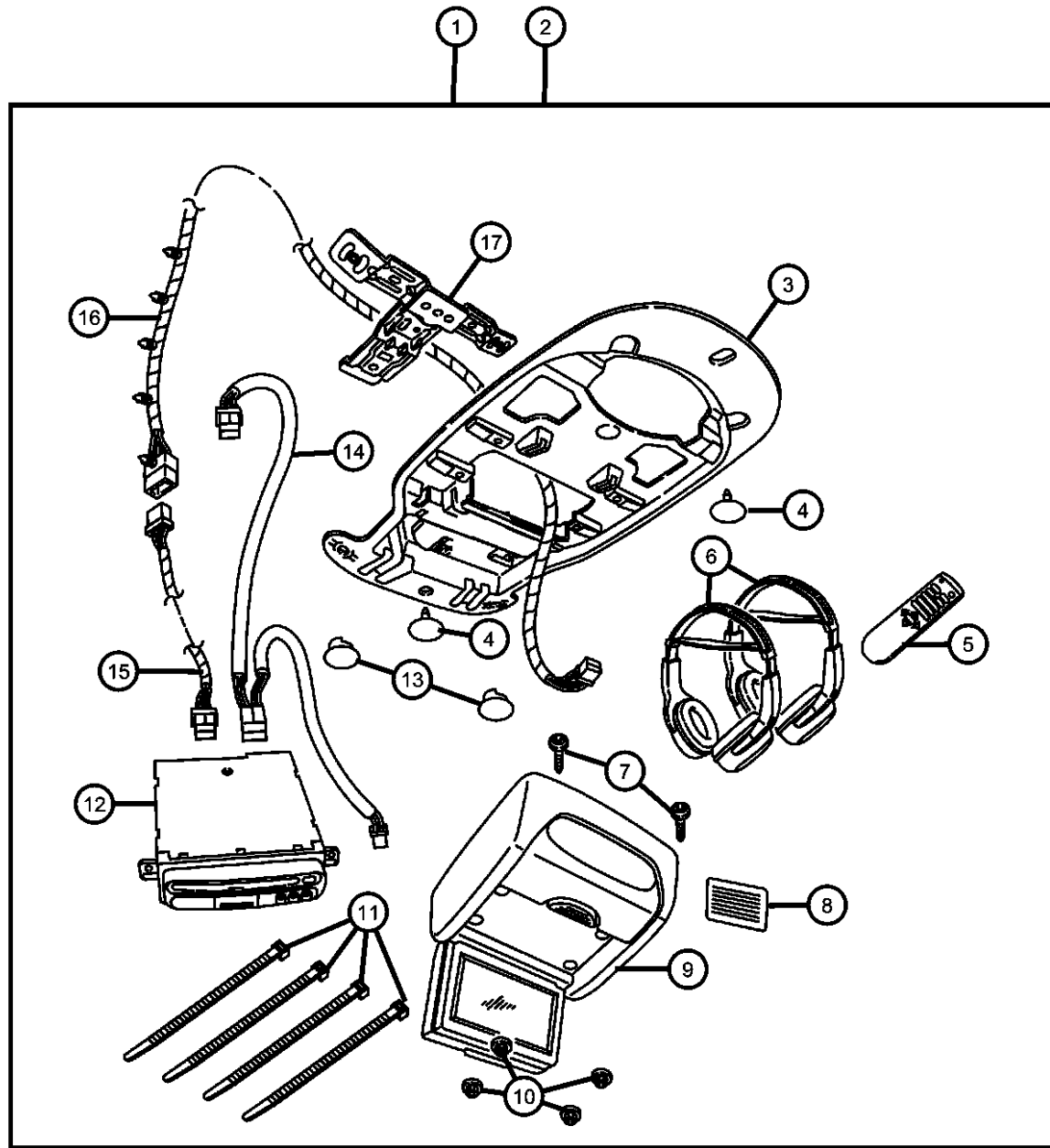
AR = use ase required - = Non illustrated part

2007 RS

**Media System - Rear Seat, Without Sunroof**  
**Figure 1-145**

ITEM	PART NUMBER	QTY	LINE	SERIES	BODY	ENGINE	TRANS	TRIM	DESCRIPTION
------	-------------	-----	------	--------	------	--------	-------	------	-------------

Note: For Warranty Repair On Item 2, Order Using Z Prefix



1	82208660	1							MEDIA SYSTEM, Monitor with DVD Without Sunroof
	82208808AB	1							
2	82208809AB	1							MEDIA SYSTEM, Monitor w/o DVD
3	05028424AC	1							BRACKET ASSY, REAR SEAT VIDEO
4	0TY98BD1AA	3	K, Y		12, 52				PIN, Push, Headliner Panel to Roof BOW
5	05082013AA	1							REMOTE, Wireless Infrared
6	04685936AE	1							HEADPHONES, Wireless
7	06034195	1							SCREW AND WASHER, Oval Head, .19-16x.75
8	05020533AA	1							LABEL, Mercury Warning
9	05135243AA	1							HOUSING, Monitor, 7" Video Screen
10	06100045	1							NUT AND WASHER, Hex, M5x.80, Quantity of 4
11	06015756	1							STRAP, Tie, Quantity of 4, Nylon 6.9 inch
12	04685932AB	1							DVD CHANGER, 6-Disc with RF Region 1
13	0WJ67BD1AC	2	K, Y		12, 13, 52, 53				PLUG, Headliner
14	04685999AC	1							WIRING, Compact Disc Changer, DVD to Radio
15	04869298AB	1							WIRING, DVD Jumper, I/P to A-Pillar
16	04869373AB	1							WIRING, DVD to Screen, A-Pillar to Monitor
17	05028427AA	1							BRACKET, Grab Handle
-18	05135244AA	1							LATCH KIT, Video Screen
-19	05143375AA	1							PANEL, CLOSEOUT

**CARAVAN, VOYAGER, TOWN AND COUNTRY (RS)**

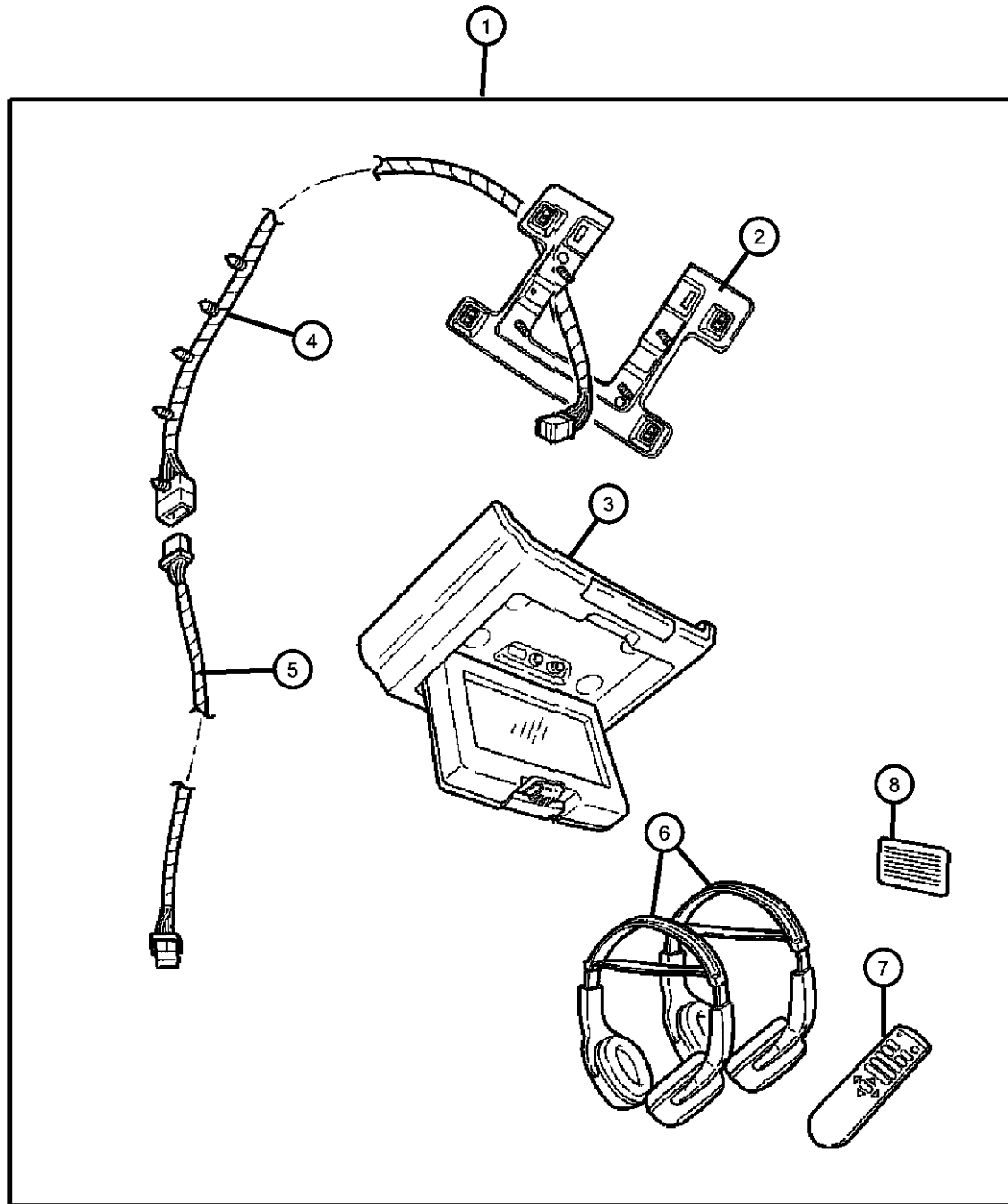
SERIES	LINE	BODY	ENGINE	TRANSMISSION
H = HIGHLINE	Y = CHRYSLER	53 = 119 WB	EDZ = 2.4L 4 Cyl DOHC 16V SMPI Engine	DFF = 4-Speed Automatic VLP 41TE Trans
L = LOWLINE	K = DODGE	52 = 113 WB	EGA = 3.3L V6 OHV Engine	DGL = 4-Speed Automatic Transmission
M = MEDIUM		13 = 119 WB	EGF = 3.5L High Output V6 24V MPI Engine	
P = PREMIUM		12 = 113 WB	EGH = 3.8L V6 OHV Engine	
S = SPORT			EGM = 3.3L V6 OHV FFV Engine	
X = SPECIAL				

AR = use ase required - = Non illustrated part

2007 RS



**Media System Without DVD**  
**Figure 1-150**



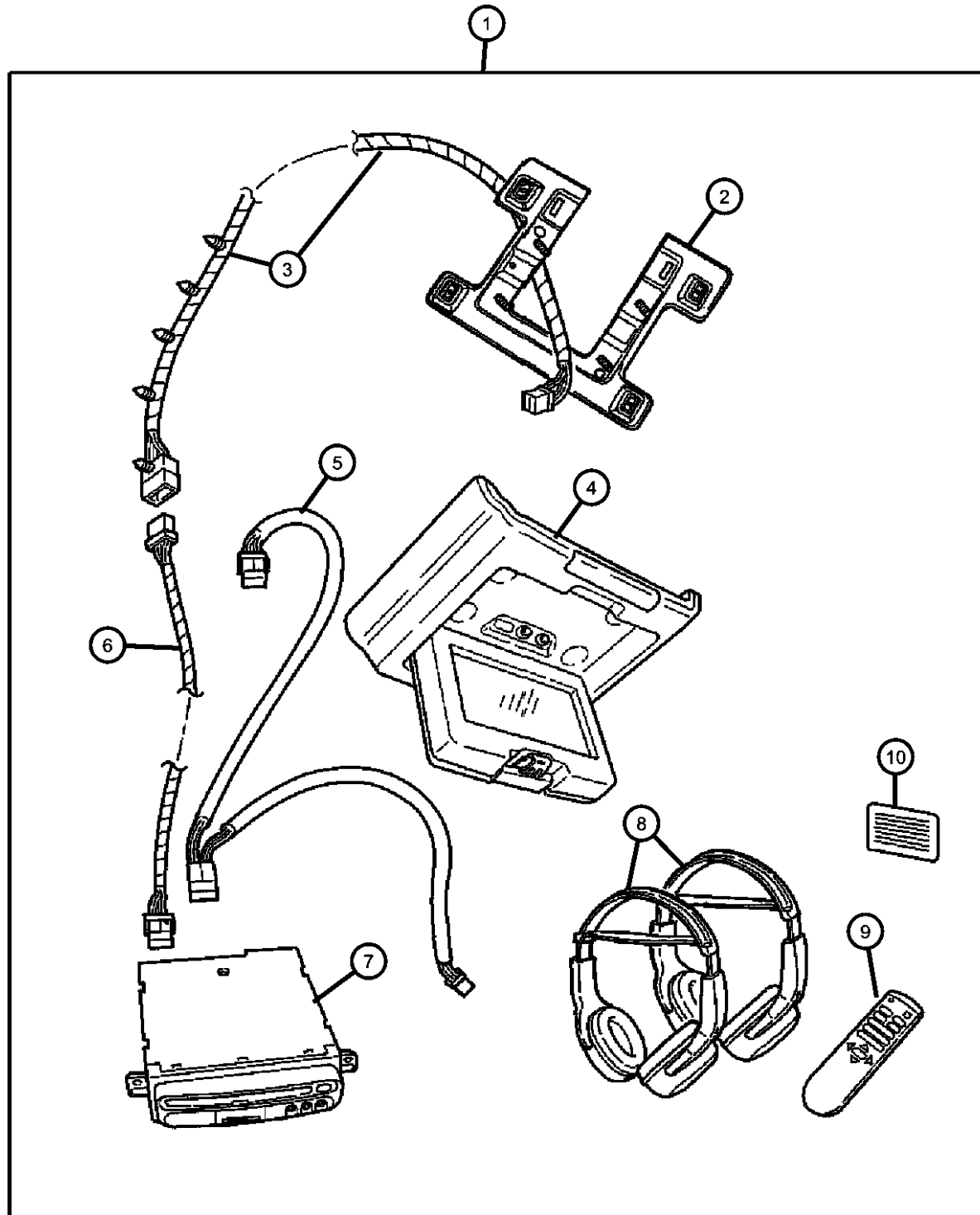
ITEM	PART NUMBER	QTY	LINE	SERIES	BODY	ENGINE	TRANS	TRIM	DESCRIPTION
1	82208811AB	1							MEDIA SYSTEM, Monitor w/o DVD
2	05139810AA	1							BRACKET, Mounting
3	0ZW98BD1AE	1	K, Y		12, 13, 52, 53				BEZEL, DVD Console
4	04868763AA	1							WIRING, DVD Jumper, A Pillar to Monitor
5	04868754AA	1							WIRING, DVD to Screen, I/P to A Pillar
6	05064037AA	1							HEADPHONES, Wireless
7	05094043AB	1							REMOTE, Wireless Infrared
8	05020533AA	1							LABEL, Mercury Warning

**CARAVAN, VOYAGER, TOWN AND COUNTRY (RS)**

SERIES	LINE	BODY	ENGINE	TRANSMISSION
H = HIGHLINE	Y = CHRYSLER	53 = 119 WB	EDZ = 2.4L 4 Cyl DOHC 16V SMPI Engine	DFF = 4-Speed Automatic VLP 41TE Trans
L = LOWLINE	K = DODGE	52 = 113 WB	EGA = 3.3L V6 OHV Engine	DGL = 4-Speed Automatic Transmission
M = MEDIUM		13 = 119 WB	EGF = 3.5L High Output V6 24V MPI Engine	
P = PREMIUM		12 = 113 WB	EGH = 3.8L V6 OHV Engine	
S = SPORT			EGM = 3.3L V6 OHV FFV Engine	
X = SPECIAL				

AR = use ase required - = Non illustrated part

**Media System With DVD  
Figure 1-151**



ITEM	PART NUMBER	QTY	LINE	SERIES	BODY	ENGINE	TRANS	TRIM	DESCRIPTION
------	-------------	-----	------	--------	------	--------	-------	------	-------------

Note: For Warranty Repair On Item 7, Order Using Z Prefix

1	82208810AB	1							MEDIA SYSTEM, Monitor with DVD
2	05139810AA	1							BRACKET, Mounting
3	04868763AA	1							WIRING, DVD Jumper, A Pillar to Monitor
4	0ZW96BD1AE	1	K, Y		12, 13, 52, 53				BEZEL, DVD Console
5	04869388AC	1							WIRING, DVD Jumper, DVD to Radio
6	04868754AA	1							WIRING, DVD to Screen, DVD to A Pillar
7	05094033AC	1							DVD CHANGER
8	05064037AA	1							HEADPHONES, Wireless
9	05094043AB	1							REMOTE, Wireless Infrared
10	05020533AA	1							LABEL, Mercury Warning

**CARAVAN, VOYAGER, TOWN AND COUNTRY (RS)**

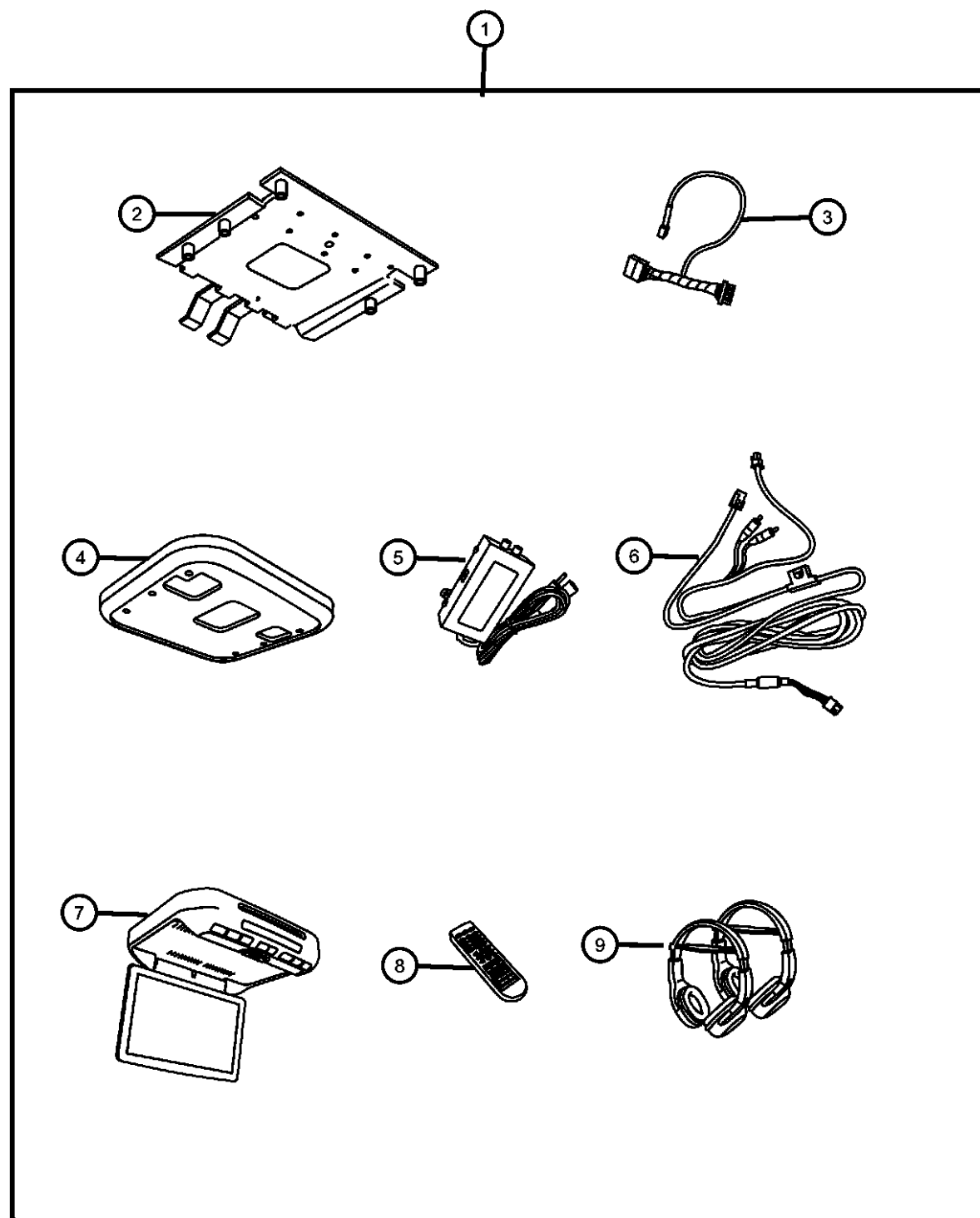
SERIES	LINE	BODY	ENGINE	TRANSMISSION
H = HIGHLINE	Y = CHRYSLER	53 = 119 WB	EDZ = 2.4L 4 Cyl DOHC 16V SMPI Engine	DFF = 4-Speed Automatic VLP 41TE Trans
L = LOWLINE	K = DODGE	52 = 113 WB	EGA = 3.3L V6 OHV Engine	DGL = 4-Speed Automatic Transmission
M = MEDIUM		13 = 119 WB	EGF = 3.5L High Output V6 24V MPI Engine	
P = PREMIUM		12 = 113 WB	EGH = 3.8L V6 OHV Engine	
S = SPORT			EGM = 3.3L V6 OHV FFV Engine	
X = SPECIAL				

AR = use ase required - = Non illustrated part

2007 RS

Media System - 10 inch Entertainment System

Figure 1-152



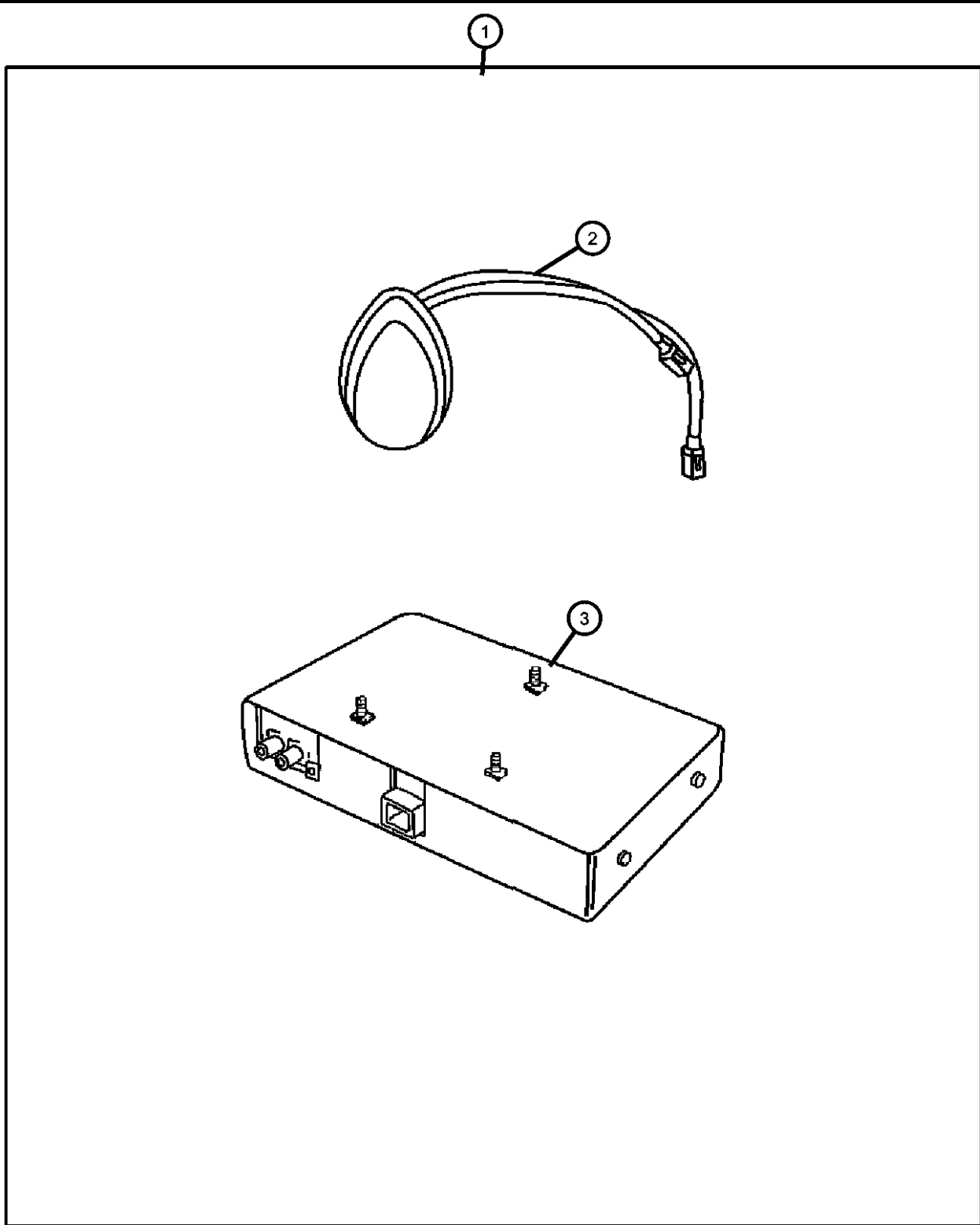
ITEM	PART NUMBER	QTY	LINE	SERIES	BODY	ENGINE	TRANS	TRIM	DESCRIPTION
1	82210366AB	1							MEDIA SYSTEM, Monitor With DVD, 10 Inch
2	68030137AA	1							BRACKET
3	05166871AA	1							HARNESS, Wiring
4	68036470AA	1							SHROUD, SHROUD
5	05166872AA	1							MODULATOR, FM
6	68026724AA	1							HARNESS, Wiring
7	68036468AA	1							DVD CHANGER
8	68024459AA	1							REMOTE, Wireless Infrared
9	05064037AA	1							HEADPHONES, Wireless

CARAVAN, VOYAGER, TOWN AND COUNTRY (RS)

SERIES	LINE	BODY	ENGINE	TRANSMISSION
H = HIGHLINE	Y = CHRYSLER	53 = 119 WB	EDZ = 2.4L 4 Cyl DOHC 16V SMPI Engine	DFF = 4-Speed Automatic VLP 41TE Trans
L = LOWLINE	K = DODGE	52 = 113 WB	EGA = 3.3L V6 OHV Engine	DGL = 4-Speed Automatic Transmission
M = MEDIUM		13 = 119 WB	EGF = 3.5L High Output V6 24V MPI Engine	
P = PREMIUM		12 = 113 WB	EGH = 3.8L V6 OHV Engine	
S = SPORT			EGM = 3.3L V6 OHV FFV Engine	
X = SPECIAL				

AR = use ase required - = Non illustrated part

**Satellite Receiver Kit  
Figure 1-155**



ITEM	PART NUMBER	QTY	LINE	SERIES	BODY	ENGINE	TRANS	TRIM	DESCRIPTION
------	-------------	-----	------	--------	------	--------	-------	------	-------------

Note: For Warranty Repair on Item 3, Order Using Z Prefix

1	82206488AB	1							RECEIVER, Satellite
2	05066205AC	1							ANTENNA, Satellite
3	05064020AJ	1							RECEIVER, Satellite

**CARAVAN, VOYAGER, TOWN AND COUNTRY (RS)**

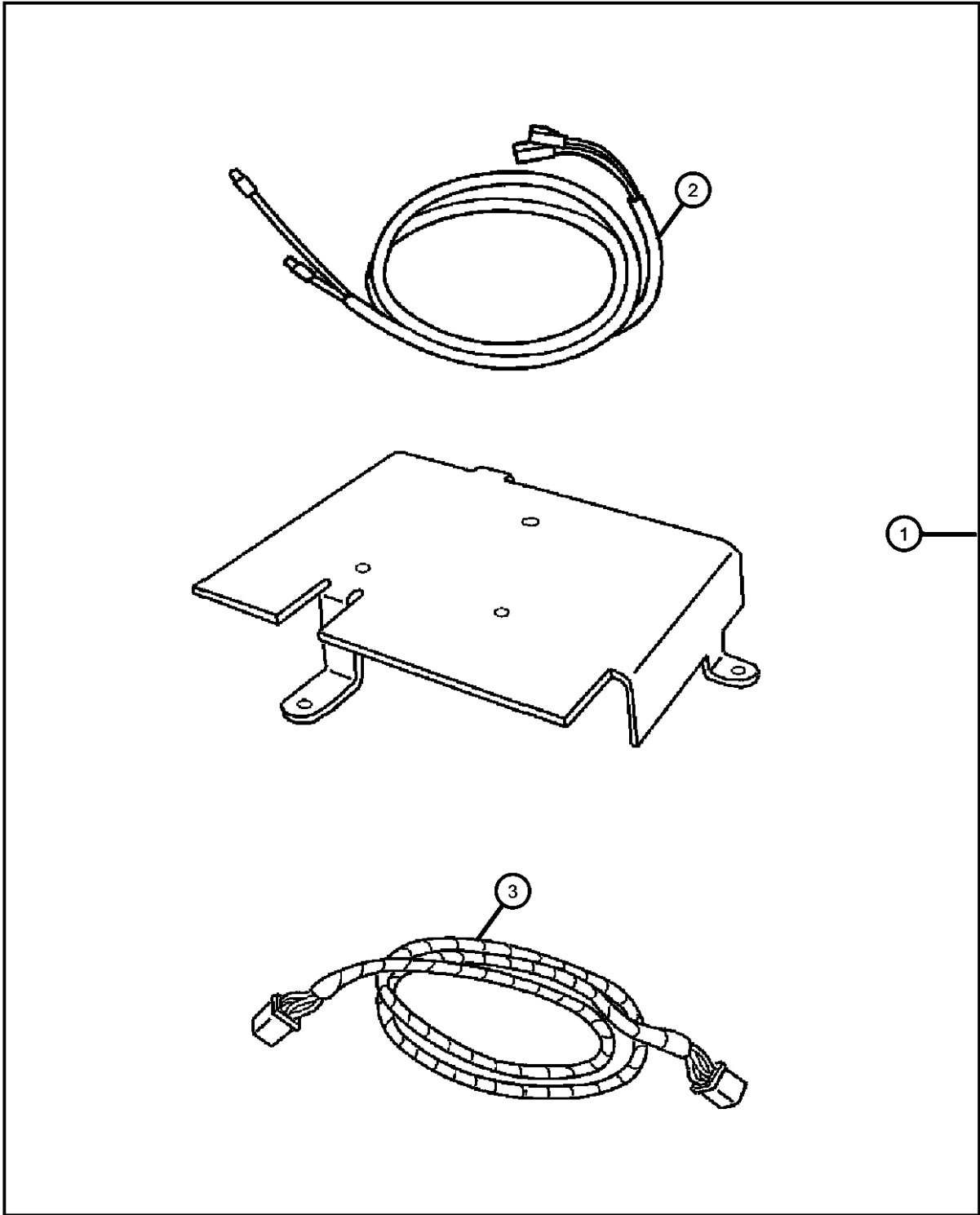
SERIES	LINE	BODY	ENGINE	TRANSMISSION
H = HIGHLINE	Y = CHRYSLER	53 = 119 WB	EDZ = 2.4L 4 Cyl DOHC 16V SMPI Engine	DFF = 4-Speed Automatic VLP 41TE Trans
L = LOWLINE	K = DODGE	52 = 113 WB	EGA = 3.3L V6 OHV Engine	DGL = 4-Speed Automatic Transmission
M = MEDIUM		13 = 119 WB	EGF = 3.5L High Output V6 24V MPI Engine	
P = PREMIUM		12 = 113 WB	EGH = 3.8L V6 OHV Engine	
S = SPORT			EGM = 3.3L V6 OHV FFV Engine	
X = SPECIAL				

AR = use ase required - = Non illustrated part

2007 RS

**Install Kit Satellite Receiver Without CD**  
**Figure 1-160**

ITEM	PART NUMBER	QTY	LINE	SERIES	BODY	ENGINE	TRANS	TRIM	DESCRIPTION
1	82207925	1							INSTALL KIT, Satelite Receiver
2	05066207AB	1							CABLE, Antenna
3	05066203AA	1							WIRING, Rcvr to Radio



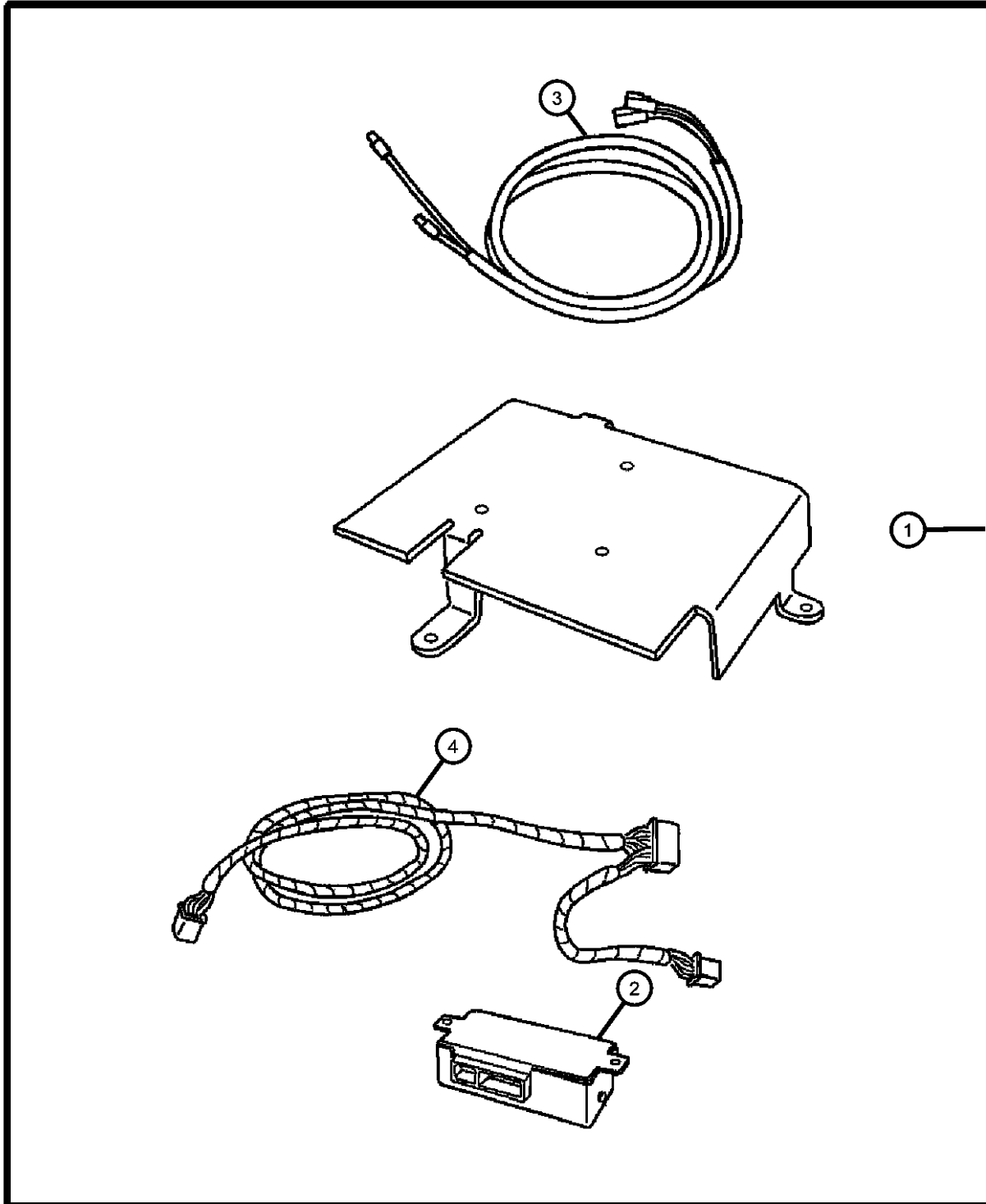
**CARAVAN, VOYAGER, TOWN AND COUNTRY (RS)**

SERIES	LINE	BODY	ENGINE	TRANSMISSION
H = HIGHLINE	Y = CHRYSLER	53 = 119 WB	EDZ = 2.4L 4 Cyl DOHC 16V SMPI Engine	DFF = 4-Speed Automatic VLP 41TE Trans
L = LOWLINE	K = DODGE	52 = 113 WB	EGA = 3.3L V6 OHV Engine	DGL = 4-Speed Automatic Transmission
M = MEDIUM		13 = 119 WB	EGF = 3.5L High Output V6 24V MPI Engine	
P = PREMIUM		12 = 113 WB	EGH = 3.8L V6 OHV Engine	
S = SPORT			EGM = 3.3L V6 OHV FFV Engine	
X = SPECIAL				

AR = use ase required - = Non illustrated part

**Install Kit Satellite Receiver With CD  
Figure 1-165**

ITEM	PART NUMBER	QTY	LINE	SERIES	BODY	ENGINE	TRANS	TRIM	DESCRIPTION
1	82207779	1							INSTALL KIT, Satelite Receiver
2	05059112AC	1							MODULE, Radio Control
3	05066207AA	1							CABLE, Antenna
4	05086643AA	1							WIRING, Rcvr to Radio



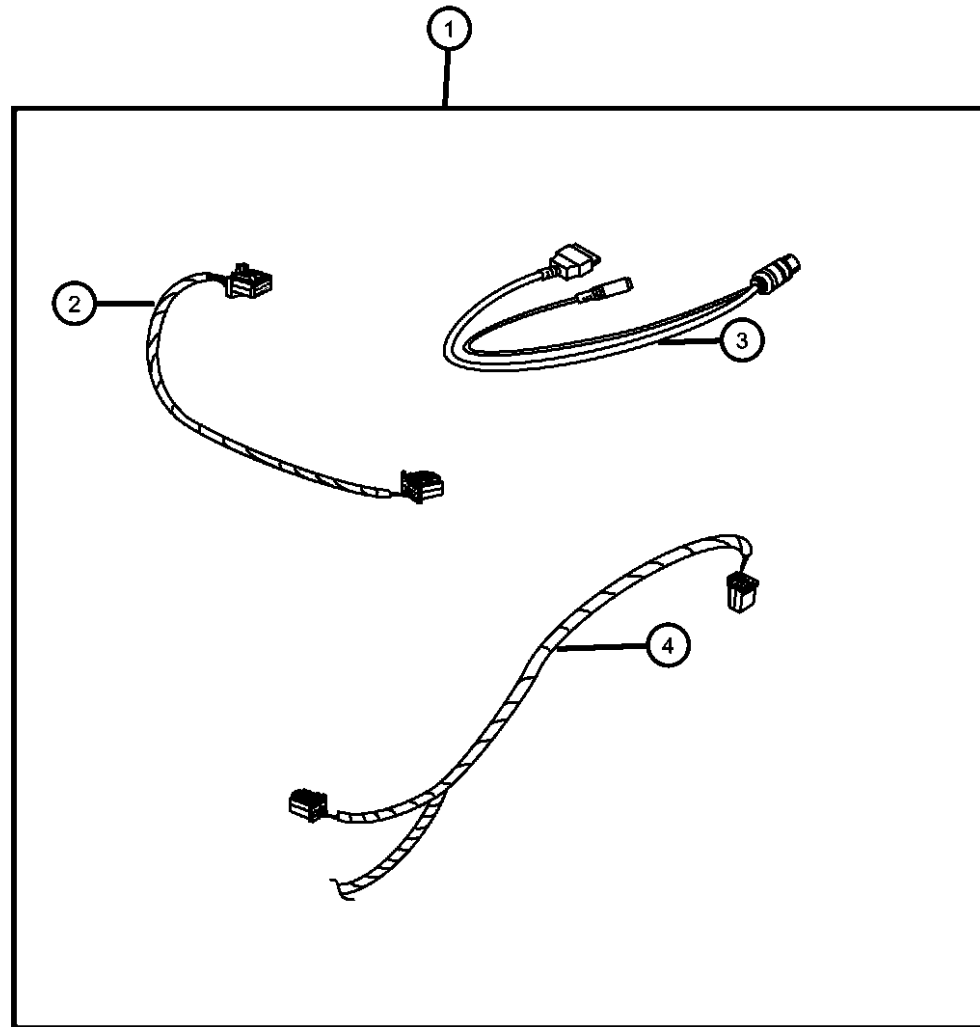
**CARAVAN, VOYAGER, TOWN AND COUNTRY (RS)**

SERIES	LINE	BODY	ENGINE	TRANSMISSION
H = HIGHLINE	Y = CHRYSLER	53 = 119 WB	EDZ = 2.4L 4 Cyl DOHC 16V SMPI Engine	DFF = 4-Speed Automatic VLP 41TE Trans
L = LOWLINE	K = DODGE	52 = 113 WB	EGA = 3.3L V6 OHV Engine	DGL = 4-Speed Automatic Transmission
M = MEDIUM		13 = 119 WB	EGF = 3.5L High Output V6 24V MPI Engine	
P = PREMIUM		12 = 113 WB	EGH = 3.8L V6 OHV Engine	
S = SPORT			EGM = 3.3L V6 OHV FFV Engine	
X = SPECIAL				

AR = use ase required - = Non illustrated part

**Module Kit - iPod Interface**  
**Figure 1-170**

ITEM	PART NUMBER	QTY	LINE	SERIES	BODY	ENGINE	TRANS	TRIM	DESCRIPTION
1	82209616AC	1							MODULE KIT, IPOD Interface
2	04869475AA	1							WIRING, Instrument Panel Jumper, Radio to Adapter Jumper
3	05189869AA	1							WIRING, Jumper, Glovebox to iPod /Aux Jumper
4	05191195AA	1							HARNESS, Wiring



**CARAVAN, VOYAGER, TOWN AND COUNTRY (RS)**

SERIES	LINE	BODY	ENGINE	TRANSMISSION
H = HIGHLINE	Y = CHRYSLER	53 = 119 WB	EDZ = 2.4L 4 Cyl DOHC 16V SMPI Engine	DFF = 4-Speed Automatic VLP 41TE Trans
L = LOWLINE	K = DODGE	52 = 113 WB	EGA = 3.3L V6 OHV Engine	DGL = 4-Speed Automatic Transmission
M = MEDIUM		13 = 119 WB	EGF = 3.5L High Output V6 24V MPI Engine	
P = PREMIUM		12 = 113 WB	EGH = 3.8L V6 OHV Engine	
S = SPORT			EGM = 3.3L V6 OHV FFV Engine	
X = SPECIAL				

AR = use ase required - = Non illustrated part

2007 RS

**Receiver - Satellite  
Figure 1-175**

ITEM	PART NUMBER	QTY	LINE	SERIES	BODY	ENGINE	TRANS	TRIM	DESCRIPTION
1	82209764AB	1							RECEIVER, Satellite
2	05150048AB	1							ANTENNA, Satellite
3	05064074AD	1							RECEIVER, Satellite

**CARAVAN, VOYAGER, TOWN AND COUNTRY (RS)**

SERIES	LINE	BODY	ENGINE	TRANSMISSION
H = HIGHLINE	Y = CHRYSLER	53 = 119 WB	EDZ = 2.4L 4 Cyl DOHC 16V SMPI Engine	DFF = 4-Speed Automatic VLP 41TE Trans
L = LOWLINE	K = DODGE	52 = 113 WB	EGA = 3.3L V6 OHV Engine	DGL = 4-Speed Automatic Transmission
M = MEDIUM		13 = 119 WB	EGF = 3.5L High Output V6 24V MPI Engine	
P = PREMIUM		12 = 113 WB	EGH = 3.8L V6 OHV Engine	
S = SPORT			EGM = 3.3L V6 OHV FFV Engine	
X = SPECIAL				

AR = use ase required - = Non illustrated part

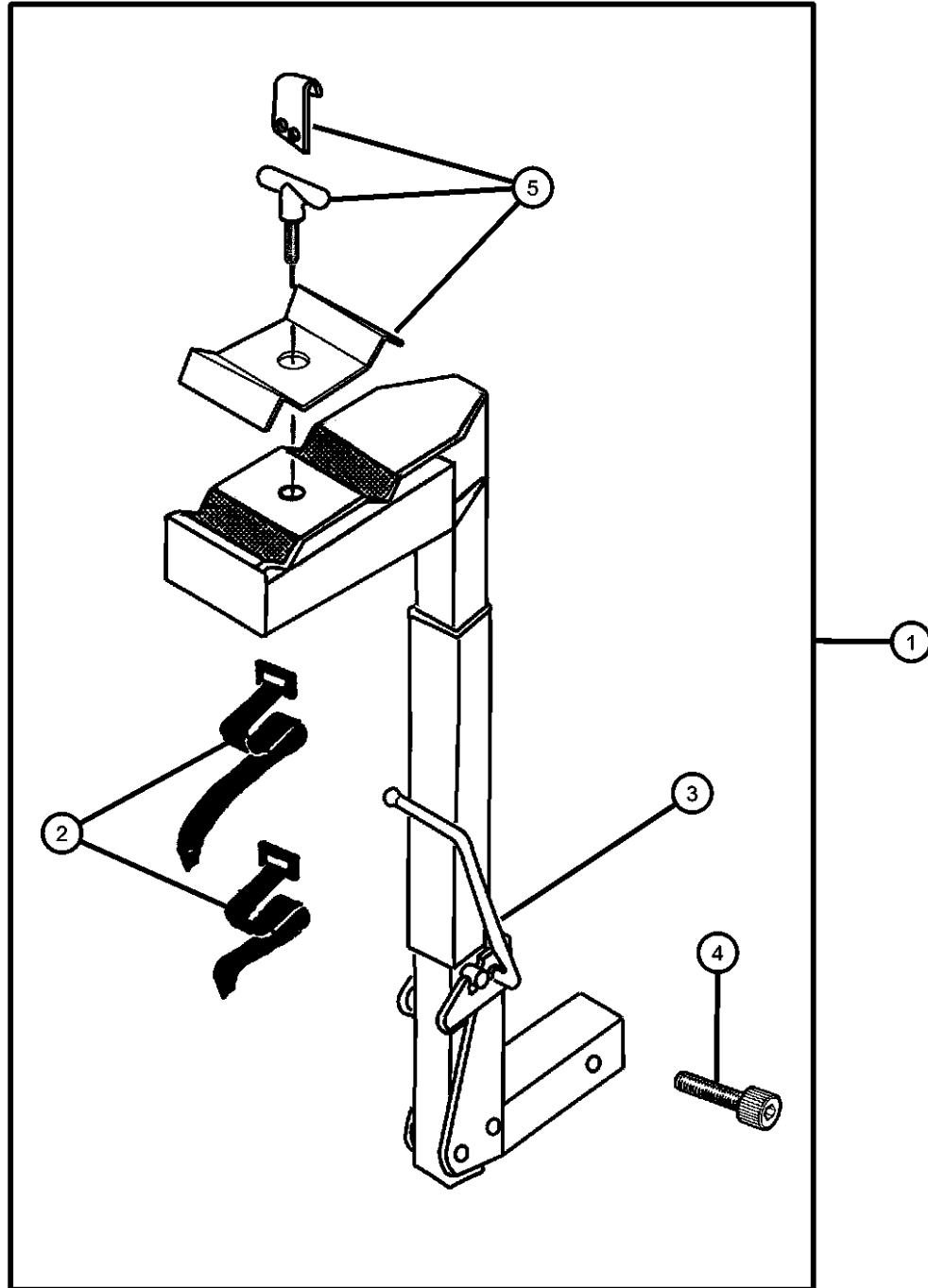


**Bike Carrier - Hitch Mount 1.25 inch Receiver**  
**Figure 1-210**

ITEM	PART NUMBER	QTY	LINE	SERIES	BODY	ENGINE	TRANS	TRIM	DESCRIPTION
------	-------------	-----	------	--------	------	--------	-------	------	-------------

NOTE: Folds down for access to rear deck.  
 Kit includes anti-theft bolts

1	82204452	1							CARRIER KIT, Bike
2	04762880	1							STRAP KIT, Velcro, Contains: 1-Long and 1-short Strap
3	05016775AA	1							STRAP KIT, Bike Carrier Latch, Contains: 2-Rubber Straps
4	05016774AA	1							BOLT KIT, Security, Contains: 1-Security Bolt, 1-Wrench, 1-Washer and Nut
5	05018825AA	1							HARDWARE KIT, Bike Carrier, Contains: t-Handle, Top Clamp and Nylon Washer



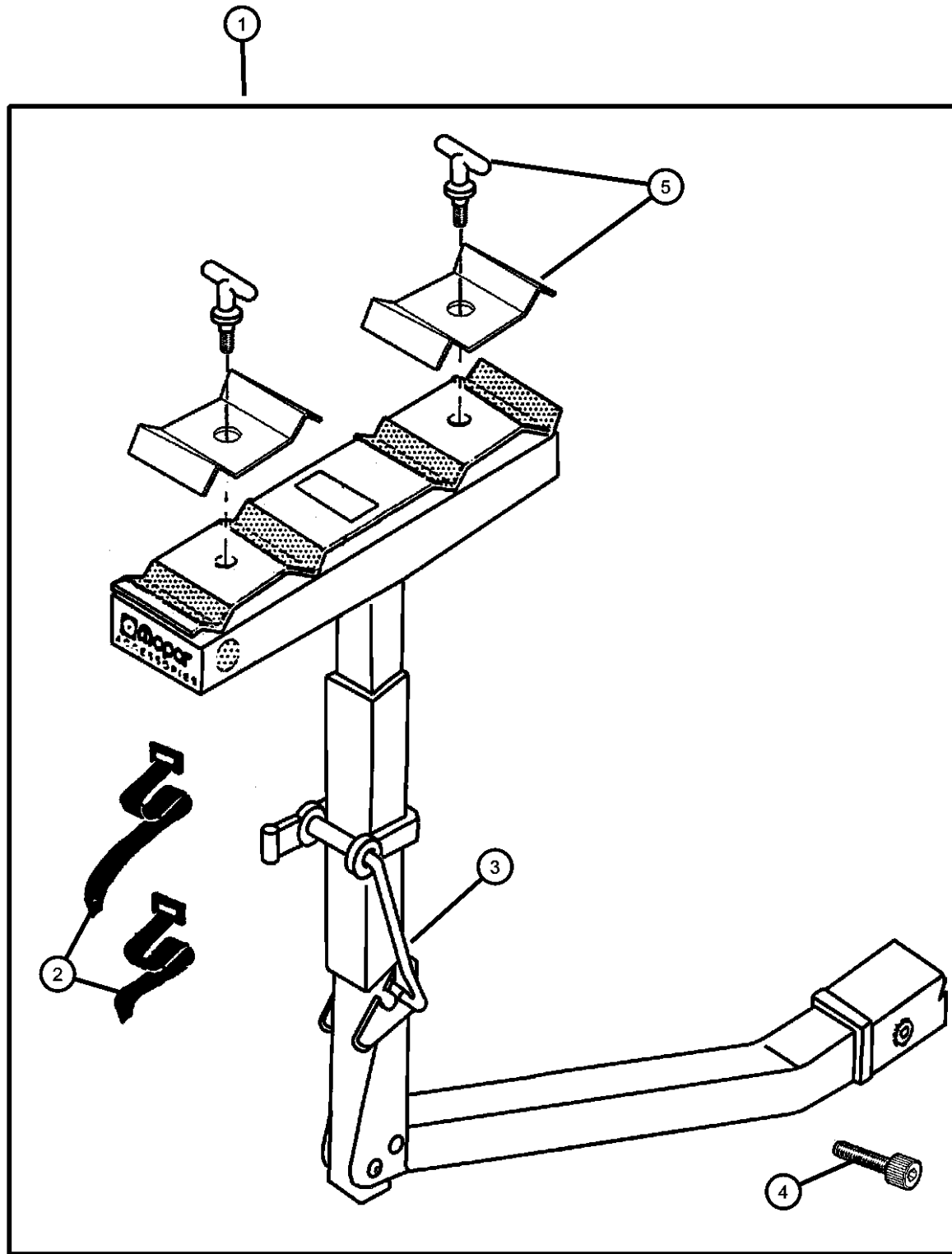
**CARAVAN, VOYAGER, TOWN AND COUNTRY (RS)**

SERIES	LINE	BODY	ENGINE	TRANSMISSION
H = HIGHLINE	Y = CHRYSLER	53 = 119 WB	EDZ = 2.4L 4 Cyl DOHC 16V SMPI Engine	DFF = 4-Speed Automatic VLP 41TE Trans
L = LOWLINE	K = DODGE	52 = 113 WB	EGA = 3.3L V6 OHV Engine	DGL = 4-Speed Automatic Transmission
M = MEDIUM		13 = 119 WB	EGF = 3.5L High Output V6 24V MPI Engine	
P = PREMIUM		12 = 113 WB	EGH = 3.8L V6 OHV Engine	
S = SPORT			EGM = 3.3L V6 OHV FFV Engine	
X = SPECIAL				

AR = use ase required - = Non illustrated part

2007 RS

**Bike Carrier - Hitch Mount 2.0 inch Receiver**  
**Figure 1-215**



ITEM	PART NUMBER	QTY	LINE	SERIES	BODY	ENGINE	TRANS	TRIM	DESCRIPTION
------	-------------	-----	------	--------	------	--------	-------	------	-------------

Note; Carriers fold down for access to rear hatch  
 Kit includes anti-theft bolts

1	82204328	1							CARRIER KIT, Bike
	82204453	1							Four Bike
	82204453	1							Two Bike
2	04762880	1							STRAP KIT, Velcro, Contains: 1-Long and 1-Short Velcro Strap
3	05016775AA	1							STRAP KIT, Bike Carrier Latch, Contains: 2 - Rubber Straps
4	05016776AA	1							BOLT KIT, Security, Contains: Bolt, Wrench, Washer and Nut
5	05018825AA	1							HARDWARE KIT, Bike Carrier, Contains: T-Handle, Lock Strap, Top Clamp and Washer

**CARAVAN, VOYAGER, TOWN AND COUNTRY (RS)**

SERIES	LINE	BODY	ENGINE	TRANSMISSION
H = HIGHLINE	Y = CHRYSLER	53 = 119 WB	EDZ = 2.4L 4 Cyl DOHC 16V SMPI Engine	DFF = 4-Speed Automatic VLP 41TE Trans
L = LOWLINE	K = DODGE	52 = 113 WB	EGA = 3.3L V6 OHV Engine	DGL = 4-Speed Automatic Transmission
M = MEDIUM		13 = 119 WB	EGF = 3.5L High Output V6 24V MPI Engine	
P = PREMIUM		12 = 113 WB	EGH = 3.8L V6 OHV Engine	
S = SPORT			EGM = 3.3L V6 OHV FFV Engine	
X = SPECIAL				

AR = use ase required - = Non illustrated part

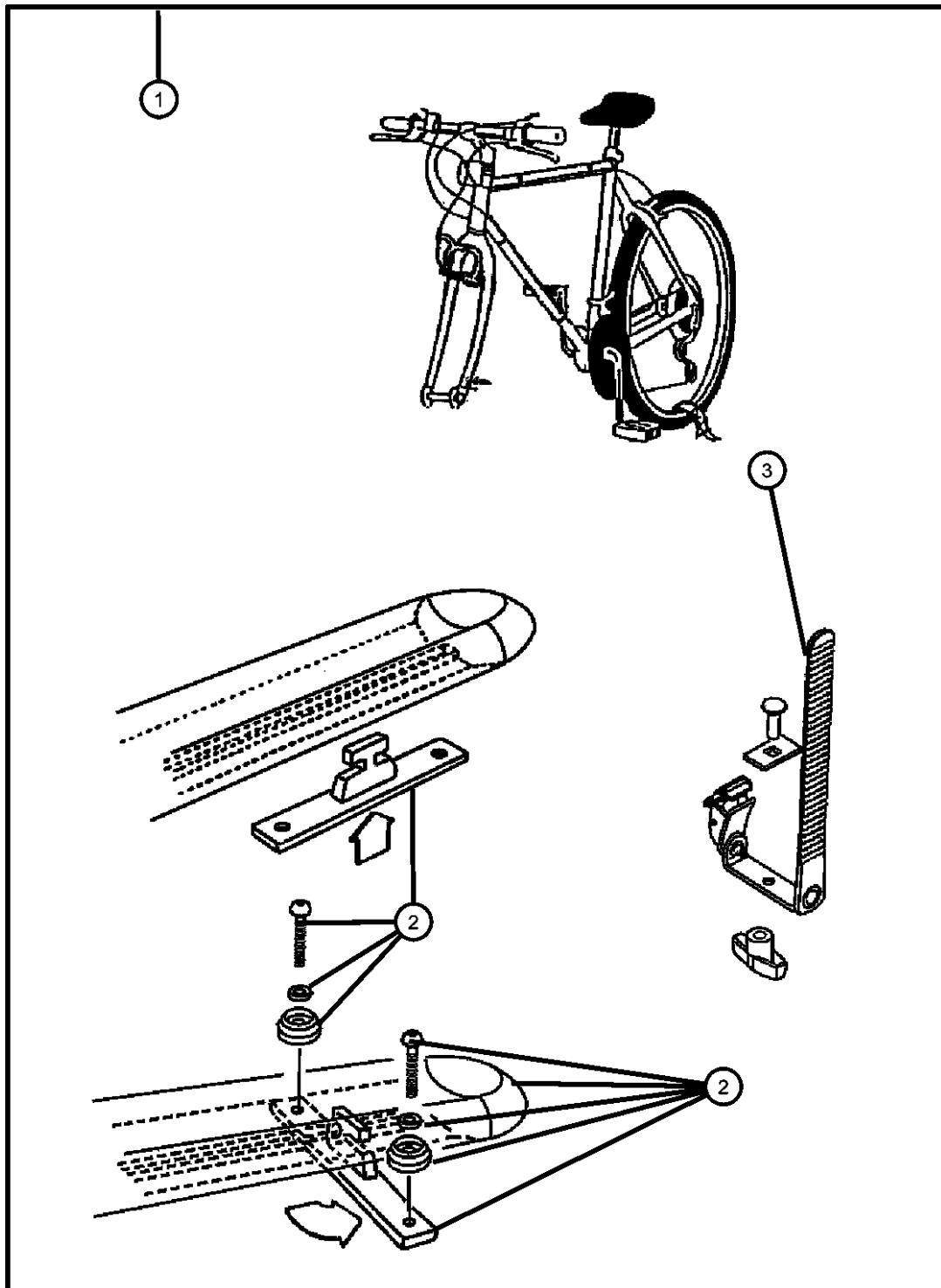
**Bike Carrier Roof - Fork Mount**  
**Figure 1-220**

ITEM	PART NUMBER	QTY	LINE	SERIES	BODY	ENGINE	TRANS	TRIM	DESCRIPTION
------	-------------	-----	------	--------	------	--------	-------	------	-------------

Note; Requires Sport Utility Rack

1	82207943	1							CARRIER KIT, Bike
2	05093779AA	1							HARDWARE KIT, Accessory
3	05114532AA	1							STRAP, Cargo Tie Down

CARRIER KIT, Bike  
HARDWARE KIT, Accessory  
STRAP, Cargo Tie Down



**CARAVAN, VOYAGER, TOWN AND COUNTRY (RS)**

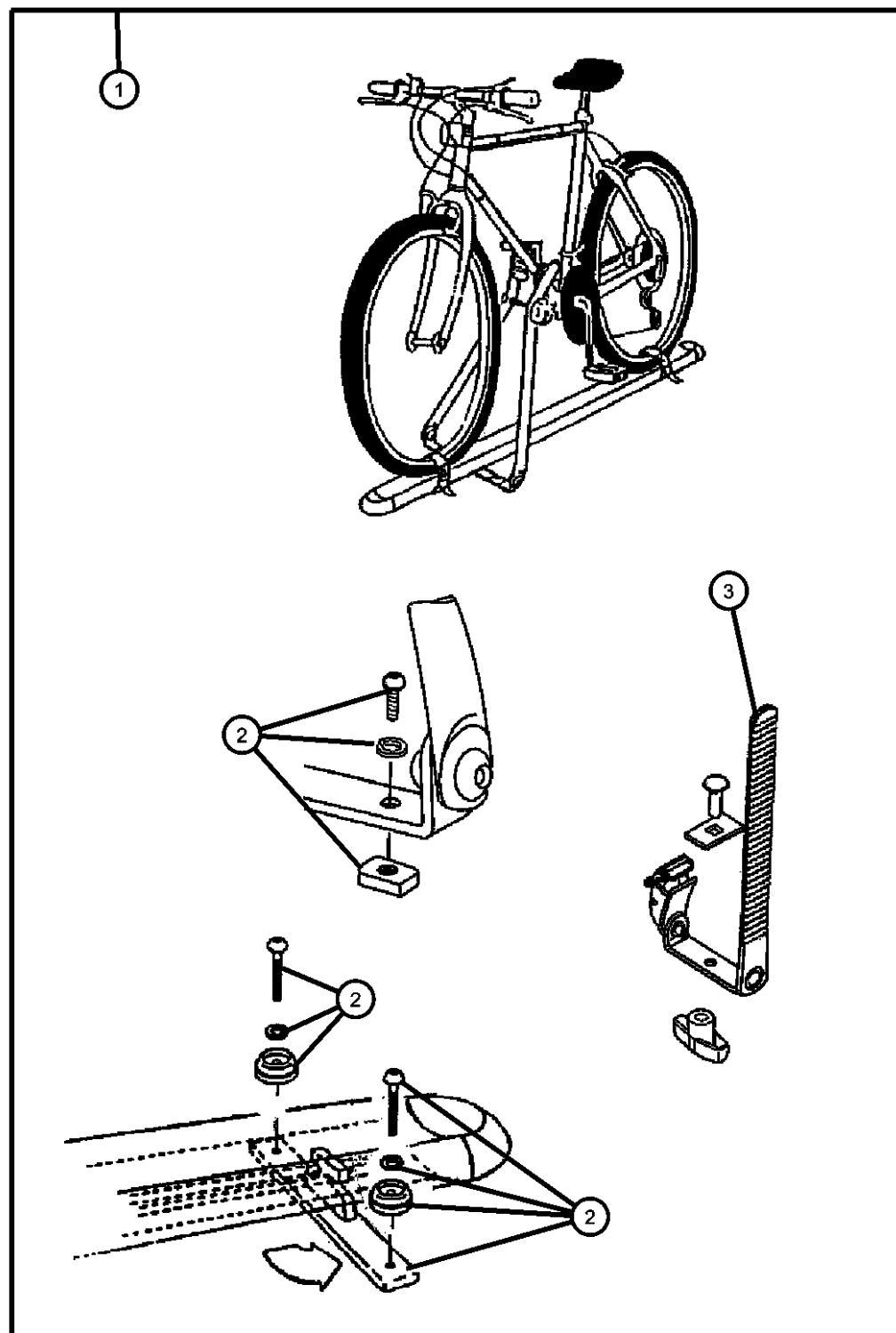
SERIES	LINE	BODY
H = HIGHLINE	Y = CHRYSLER	53 = 119 WB
L = LOWLINE	K = DODGE	52 = 113 WB
M = MEDIUM		13 = 119 WB
P = PREMIUM		12 = 113 WB
S = SPORT		
X = SPECIAL		

ENGINE	TRANSMISSION
EDZ = 2.4L 4 Cyl DOHC 16V SMPI Engine	DFF = 4-Speed Automatic VLP 41TE Trans
EGA = 3.3L V6 OHV Engine	DGL = 4-Speed Automatic Transmission
EGF = 3.5L High Output V6 24V MPI Engine	
EGH = 3.8L V6 OHV Engine	
EGM = 3.3L V6 OHV FFV Engine	

AR = use ase required - = Non illustrated part

2007 RS

**Bike Carrier Roof - Upright Mount**  
**Figure 1-225**



ITEM	PART NUMBER	QTY	LINE	SERIES	BODY	ENGINE	TRANS	TRIM	DESCRIPTION
------	-------------	-----	------	--------	------	--------	-------	------	-------------

Note; Requires Sport Utility Rack

1	82207942	1							CARRIER KIT, Bike
2	05093779AA	1							HARDWARE KIT, Accessory
3	05114532AA	1							STRAP, Cargo Tie Down

**CARAVAN, VOYAGER, TOWN AND COUNTRY (RS)**

SERIES	LINE	BODY	ENGINE	TRANSMISSION
H = HIGHLINE	Y = CHRYSLER	53 = 119 WB	EDZ = 2.4L 4 Cyl DOHC 16V SMPI Engine	DFF = 4-Speed Automatic VLP 41TE Trans
L = LOWLINE	K = DODGE	52 = 113 WB	EGA = 3.3L V6 OHV Engine	DGL = 4-Speed Automatic Transmission
M = MEDIUM		13 = 119 WB	EGF = 3.5L High Output V6 24V MPI Engine	
P = PREMIUM		12 = 113 WB	EGH = 3.8L V6 OHV Engine	
S = SPORT			EGM = 3.3L V6 OHV FFV Engine	
X = SPECIAL				

AR = use ase required - = Non illustrated part

2007 RS