

VIN PLATE DECODING INFORMATION

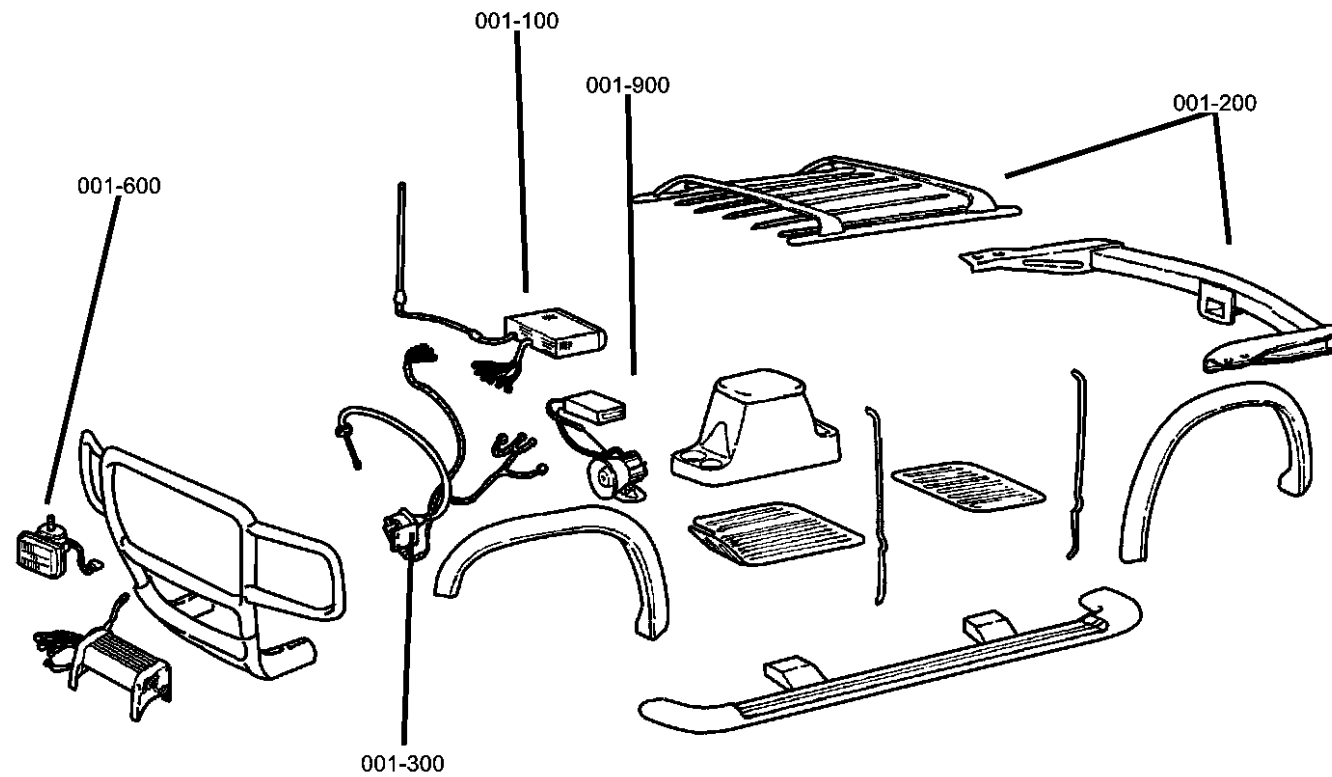
1	2	3	4	5	6	7	8	9	10	11	12 thru 17
Country	Make	Vehicle Type	Other	Line	Series	Body Style	Engine	Check Digit	Model Year	Assy. Plant	Sequence No.

The following table interprets the VIN Plate position shown above.

Position	Interpretation	Codes = Description
1	Country of Origin	1 = USA
2	Assembler	B = Dodge C = Chrysler
3	Vehicle Type	3 = Passenger Car
4	GVWR & Pass. Safety	A = Restraint System Active Front & Side Air Bags (CGS) B = Restraint System Manual/Active Uni-Belt (CGA) D = Restraint System Active Driver & Passenger Air Bags (CGW) E = Restraint System Manual/Active Uni-Belt (CGA)
5	Vehicle Line	S = Neon (LHD) V = Neon (RHD)
6	Series	4 = Neon SE (Mexico) 4 = SX2.0 (Canada) 5 = Neon SXT 5 = SX2.0 Sport (Canada) 6 = SRT-4 2 = Neon 4 = Neon SE
7	Body Style	6 = 4 Door Sedan (41)
8	Engine	C = 2.0L 4 Cyl. 16V SOHC (ECB) F = 2.0L 4 Cyl. 16V HP (ECH) P = 1.6L 4 Cyl. 16V SOHC (EJD) S = 2.4L 4 Cyl. 16V DOHC H/O Turbo (EDV)
9	Check Digit	0 = Check Digit 0 = Check Digit
10	Model Year	5 = 2005
11	Assembly Plant	D = Belvidere
12 thru 17	Vehicle Build Sequence	Model Year Assembly Sequence

Group - 1

Component Parts for Mopar Accessories



Group - 1 Component Parts for Mopar Accessories

Illustration Title

Group-Fig. No.

Audio & Electronics

CD Changer - 6 Disc	Fig. 1 - 110
Receiver Kit - Satellite	Fig. 1 - 115
Install Kit - Satellite Receiver	Fig. 1 - 120
Install Kit - Satellite Receiver	Fig. 1 - 125
Navigation Kit (RB1)	Fig. 1 - 130
Navigation Kit (RB4)	Fig. 1 - 135

Carriers & Cargo Hauling

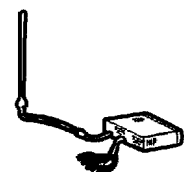
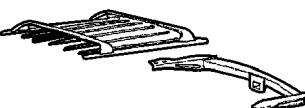


Rack Kit - Removable - Roof	Fig. 1 - 205
Bike Carrier - Hitch	Fig. 1 - 210
Bike Carrier Roof - Fork Mount	Fig. 1 - 215
Bike Carrier Roof - Upright Style	Fig. 1 - 220
Carrier Kit - Luggage - Roof	Fig. 1 - 225
Ski Carrier - Roof	Fig. 1 - 230
Carrier Kit - Watersports - Roof	Fig. 1 - 235
Carrier Kit - Canoe - Roof	Fig. 1 - 236
Trailer Tow	Fig. 1 - 240
Wiring Package - Trailer Tow	Fig. 1 - 245

Driving Convenience

Remote Start - Installation Kit	Fig. 1 - 310
Hands Free Kit/Cellular Phone Blue Tooth	Fig. 1 - 320

Exterior Appearance

Air Dam Kit	Fig. 1 - 410
-------------------	--------------

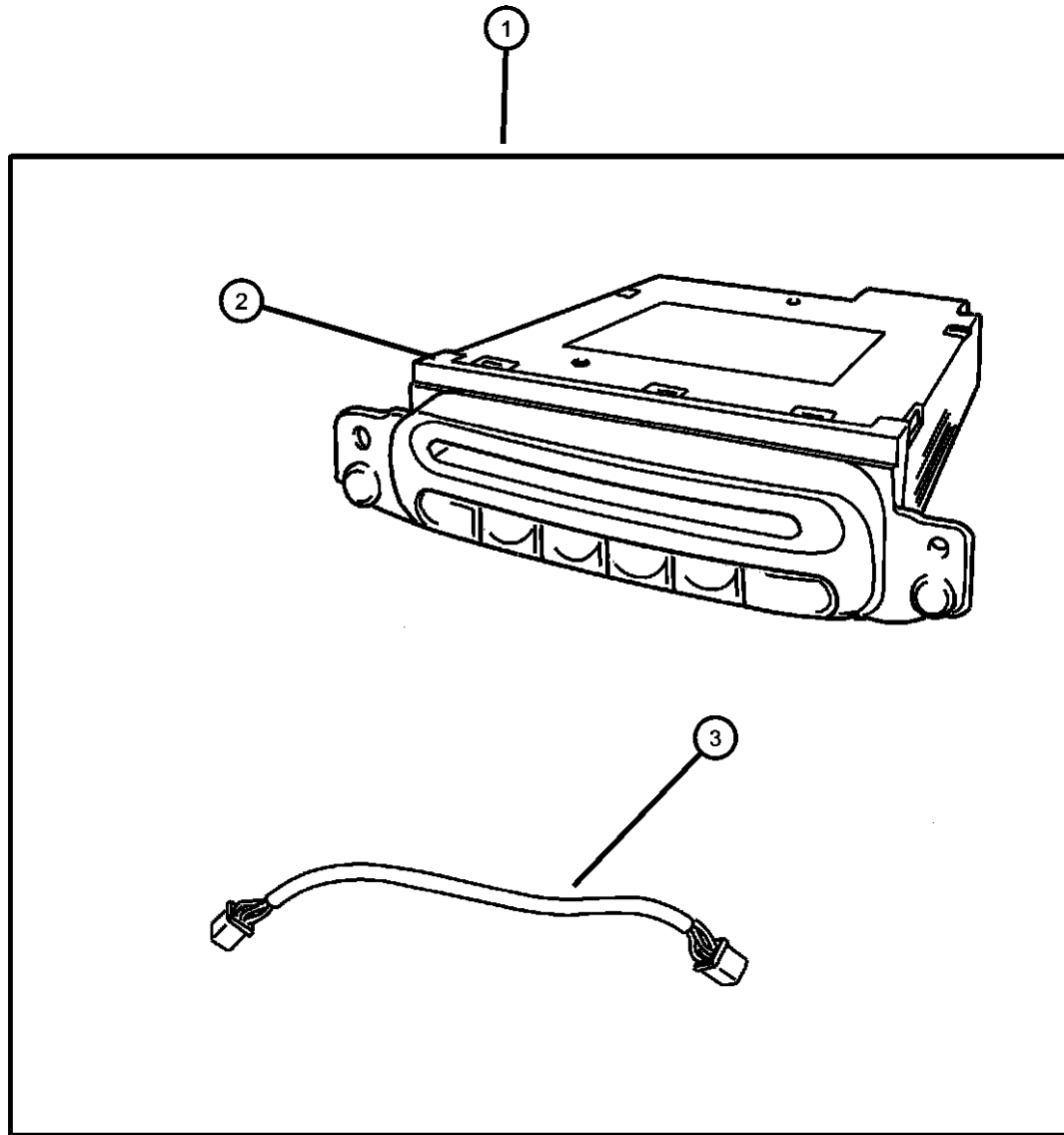
<p>001-100 Audio & Electronics</p> 	<p>001-200 Carriers & Cargo Hauling</p> 	<p>001-300 Driving Convenience</p> 	<p>001-400 Exterior Appearance</p> 
---	--	--	---

CD Changer - 6 Disc
Figure 1-110

ITEM	PART NUMBER	QTY	LINE	SERIES	BODY	ENGINE	TRANS	TRIM	DESCRIPTION
------	-------------	-----	------	--------	------	--------	-------	------	-------------

Note: For Warranty Repair On Item 2, Order Using Z Prefix

1	82208938	1							PLAYER KIT, CD Changer - 6 Disc
2	56038659AH	1							PLAYER KIT, CD Changer - 6 Disc
3	04671841AA	1							WIRING, Compact Disc Changer
-4	06032723	2							SCREW, Self Tapping, M4.2x1.69x19.05, Changer Mounting



NEON (US) SX 2.0 (CANADA) (PL)

SERIES	LINE
E = ECONOMY	C = CHRYSLER
H = HIGHLINE	Z = CHRYSLER
L = LOWLINE	D = DODGE
P = PREMIUM	P = PLYMOUTH
S = SPORT	
X = SPECIAL	

BODY
22 = 2-DR PILLARED HARDTOP
41 = SEDAN/QUAD CAB SWB
42 = PILLARED HARDTOP/QUAD CAB LWB

ENGINE
ECC = Engine - 2.0L 4 Cyl DOHC 16V SMPI
ECH = Engine - 2.0L 4 Cyl SOHC 16V Hi Perf
EDV = Engine - 2.4L I4 DOHC 16V H.O. Turbo
EJD = Engine - 1.6L 4 Cyl SOHC 16V SMPI
ECB = Engine - 2.0L 4 Cyl SOHC 16V SMPI

TRANSMISSION
DD5 = Transmission - 5-Speed Manual
DDR = Transmission - 5-Speed Manual
DGC = Transmission - 3-Speed Automatic
DGL = Transmission - 4-Spd. Automatic

AR = use ase required - = Non illustrated part

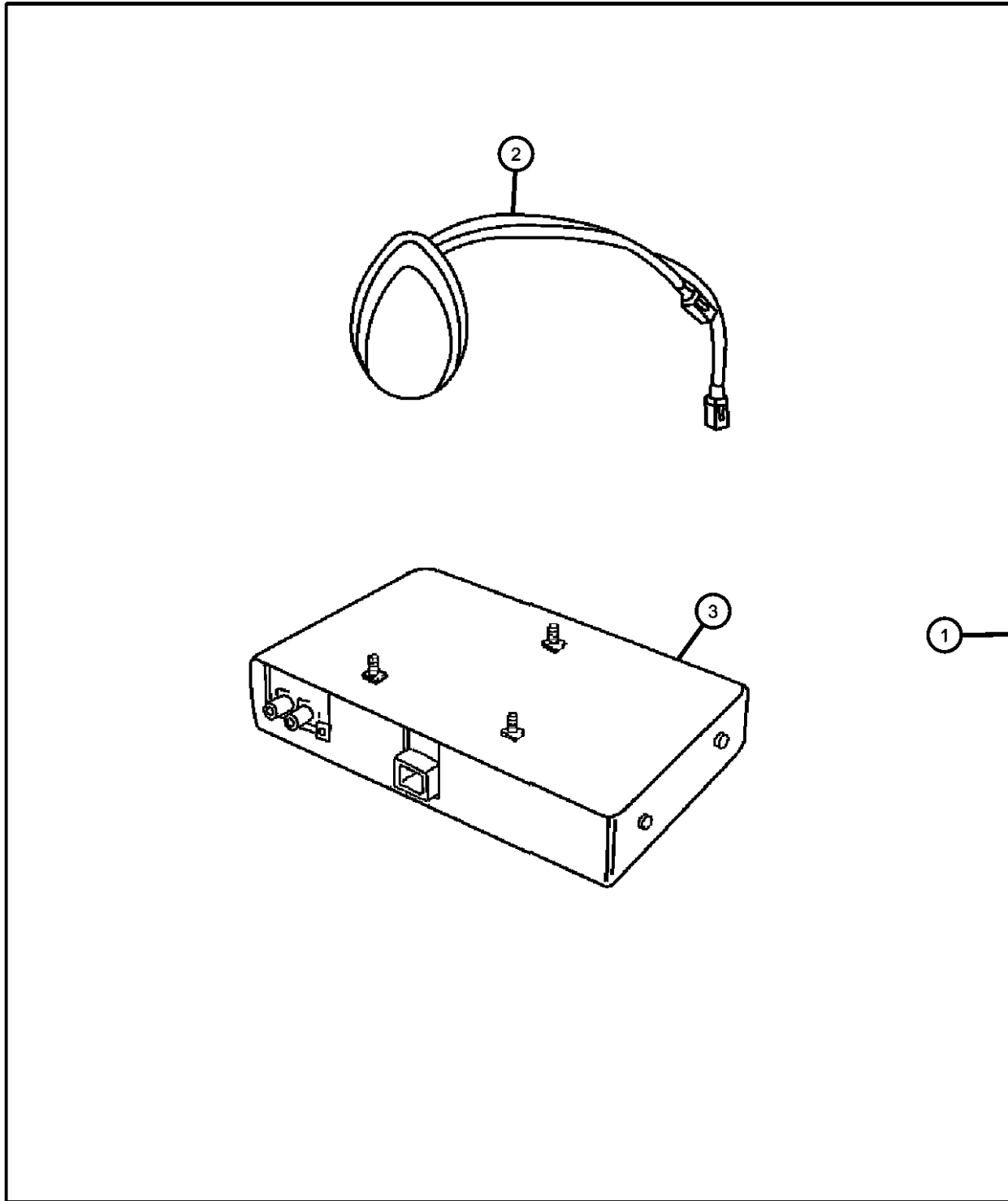
2005 PL

Receiver Kit - Satellite
Figure 1-115

ITEM	PART NUMBER	QTY	LINE	SERIES	BODY	ENGINE	TRANS	TRIM	DESCRIPTION
------	-------------	-----	------	--------	------	--------	-------	------	-------------

Note; For Warranty Repair On Item 3, Order Using Z Prefix

1	82206488AB	1							RECEIVER, Satellite
2	05066205AC	1							ANTENNA, Satellite
3	05064020AJ	1							RECEIVER, Satellite



NEON (US) SX 2.0 (CANADA) (PL)

SERIES LINE
 E = ECONOMY C = CHRYSLER
 H = HIGHLINE Z = CHRYSLER
 L = LOWLINE D = DODGE
 P = PREMIUM P = PLYMOUTH
 S = SPORT
 X = SPECIAL

BODY
 22 = 2-DR PILLARED
 HARDTOP
 41 = SEDAN/QUAD CAB
 SWB
 42 = PILLARED
 HARDTOP/QUAD CAB
 LWB

ENGINE
 ECC = Engine - 2.0L 4 Cyl
 DOHC 16V SMPI
 ECH = Engine - 2.0L 4 Cyl
 SOHC 16V Hi Perf
 EDV = Engine - 2.4L I4 DOHC
 16V H.O. Turbo
 EJD = Engine - 1.6L 4 Cyl
 SOHC 16V SMPI
 ECB = Engine - 2.0L 4 Cyl
 SOHC 16V SMPI

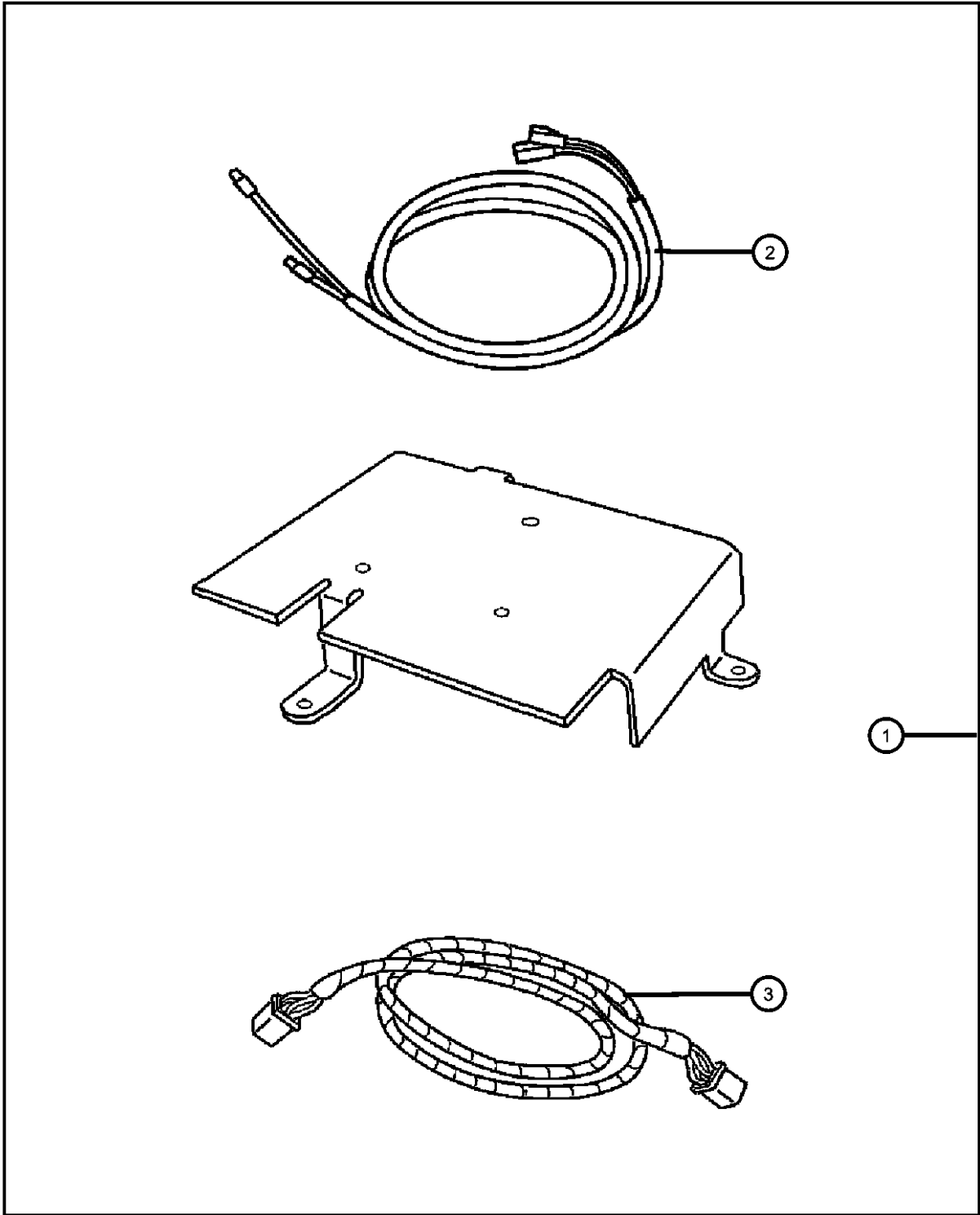
TRANSMISSION
 DD5 = Transmission - 5-Speed Manual
 DDR = Transmission - 5-Speed
 Manual
 DGC = Transmission - 3-Speed
 Automatic
 DGL = Transmission - 4-Spd.
 Automatic

AR = use ase required - = Non illustrated part

2005 PL

Install Kit - Satellite Receiver
Figure 1-120

ITEM	PART NUMBER	QTY	LINE	SERIES	BODY	ENGINE	TRANS	TRIM	DESCRIPTION
1	82207886	1							INSTALL KIT, Satelite Receiver
2	05066207AA	1							CABLE, Antenna
3	05066203AA	1							WIRING, Rcvr to Radio



NEON (US) SX 2.0 (CANADA) (PL)

SERIES	LINE
E = ECONOMY	C = CHRYSLER
H = HIGHLINE	Z = CHRYSLER
L = LOWLINE	D = DODGE
P = PREMIUM	P = PLYMOUTH
S = SPORT	
X = SPECIAL	

BODY
22 = 2-DR PILLARED HARDTOP
41 = SEDAN/QUAD CAB SWB
42 = PILLARED HARDTOP/QUAD CAB LWB

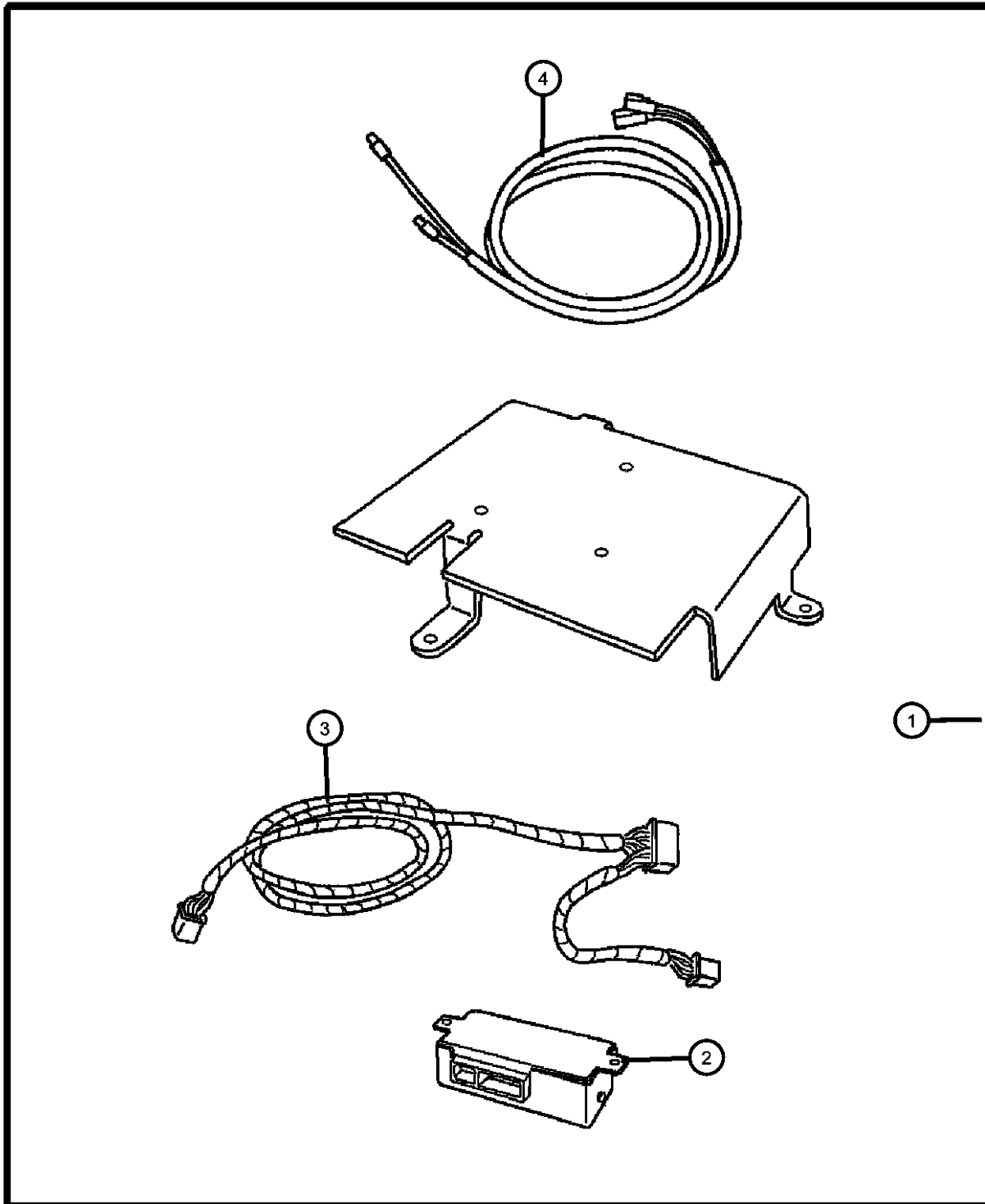
ENGINE
ECC = Engine - 2.0L 4 Cyl DOHC 16V SMPI
ECH = Engine - 2.0L 4 Cyl SOHC 16V Hi Perf
EDV = Engine - 2.4L I4 DOHC 16V H.O. Turbo
EJD = Engine - 1.6L 4 Cyl SOHC 16V SMPI
ECB = Engine - 2.0L 4 Cyl SOHC 16V SMPI

TRANSMISSION
DD5 = Transmission - 5-Speed Manual
DDR = Transmission - 5-Speed Manual
DGC = Transmission - 3-Speed Automatic
DGL = Transmission - 4-Spd. Automatic

AR = use ase required - = Non illustrated part

2005 PL

**Install Kit - Satellite Receiver
Figure 1-125**



ITEM	PART NUMBER	QTY	LINE	SERIES	BODY	ENGINE	TRANS	TRIM	DESCRIPTION
1	82208117	1							INSTALL KIT, Satellite Receiver
2	05059112AC	1							MODULE, Radio Control
3	05086643AA	1							WIRING, Rcvr to Radio
4	05066207AA	1							CABLE, Antenna

NEON (US) SX 2.0 (CANADA) (PL)

SERIES	LINE
E = ECONOMY	C = CHRYSLER
H = HIGHLINE	Z = CHRYSLER
L = LOWLINE	D = DODGE
P = PREMIUM	P = PLYMOUTH
S = SPORT	
X = SPECIAL	

BODY
22 = 2-DR PILLARED
HARDTOP
41 = SEDAN/QUAD CAB
SWB
42 = PILLARED
HARDTOP/QUAD CAB
LWB

ENGINE
ECC = Engine - 2.0L 4 Cyl
DOHC 16V SMPI
ECH = Engine - 2.0L 4 Cyl
SOHC 16V Hi Perf
EDV = Engine - 2.4L I4 DOHC
16V H.O. Turbo
EJD = Engine - 1.6L 4 Cyl
SOHC 16V SMPI
ECB = Engine - 2.0L 4 Cyl
SOHC 16V SMPI

TRANSMISSION
DD5 = Transmission - 5-Speed Manual
DDR = Transmission - 5-Speed Manual
DGC = Transmission - 3-Speed Automatic
DGL = Transmission - 4-Spd. Automatic

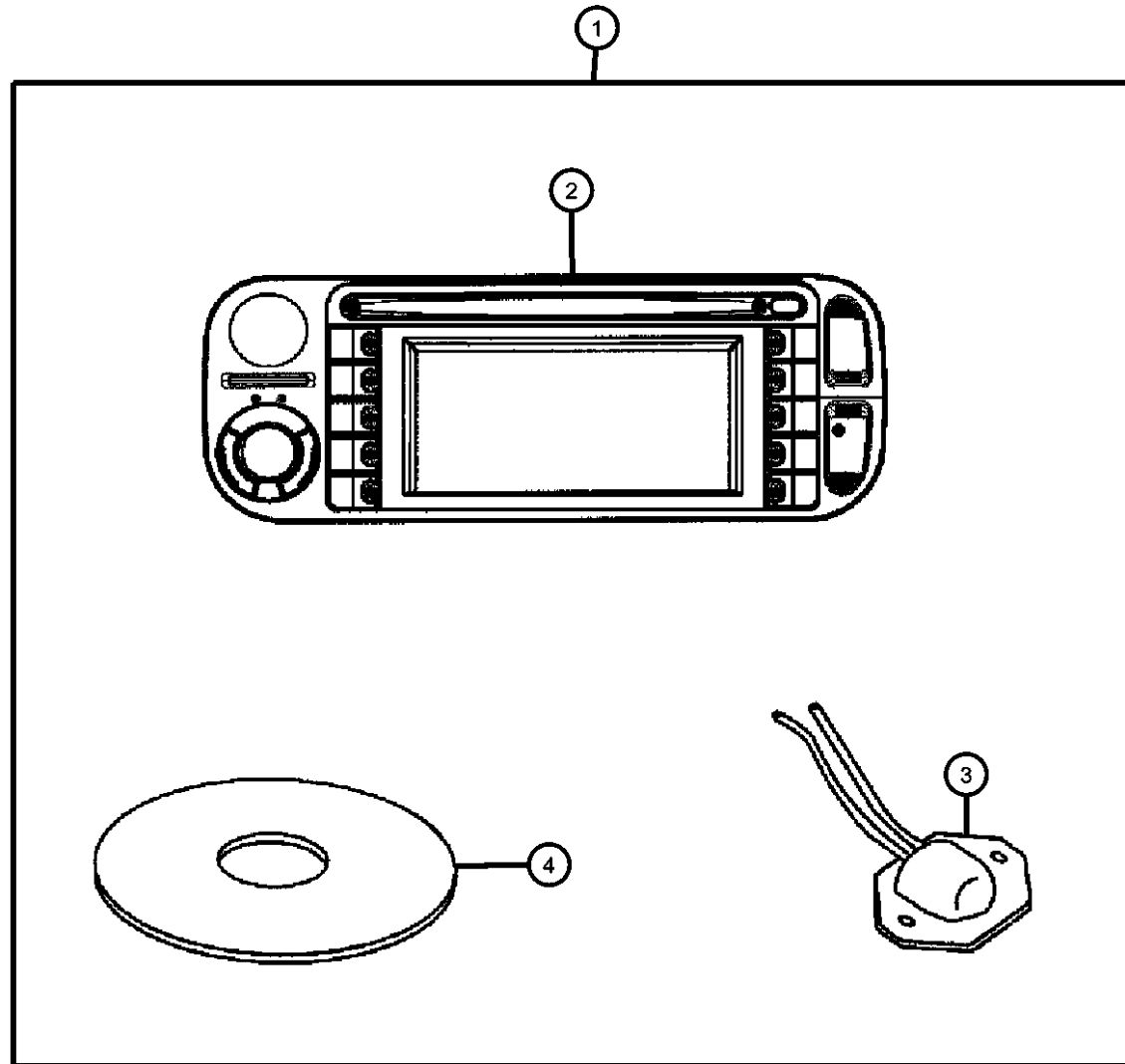
AR = use ase required - = Non illustrated part

Navigation Kit (RB1)
Figure 1-130

ITEM	PART NUMBER	QTY	LINE	SERIES	BODY	ENGINE	TRANS	TRIM	DESCRIPTION
------	-------------	-----	------	--------	------	--------	-------	------	-------------

Note: For Warranty Repair On Item 2, Order Using Z Prefix

1	82208715AB	1							RADIO, AM/FM CD W/NAV/DVD & CD-CTRL
2	56038629AG	1							RADIO, AM/FM CD W/NAV/DVD & CD-CTRL
3	56038630AA	1							ANTENNA, GPS
4	05064033AA	1							DVD, Geographic Database



NEON (US) SX 2.0 (CANADA) (PL)

SERIES	LINE
E = ECONOMY	C = CHRYSLER
H = HIGHLINE	Z = CHRYSLER
L = LOWLINE	D = DODGE
P = PREMIUM	P = PLYMOUTH
S = SPORT	
X = SPECIAL	

BODY
22 = 2-DR PILLARED HARDTOP
41 = SEDAN/QUAD CAB SWB
42 = PILLARED HARDTOP/QUAD CAB
LWB

ENGINE
ECC = Engine - 2.0L 4 Cyl DOHC 16V SMPI
ECH = Engine - 2.0L 4 Cyl SOHC 16V Hi Perf
EDV = Engine - 2.4L I4 DOHC 16V H.O. Turbo
EJD = Engine - 1.6L 4 Cyl SOHC 16V SMPI
ECB = Engine - 2.0L 4 Cyl SOHC 16V SMPI

TRANSMISSION
DD5 = Transmission - 5-Speed Manual
DDR = Transmission - 5-Speed Manual
DGC = Transmission - 3-Speed Automatic
DGL = Transmission - 4-Spd. Automatic

AR = use ase required - = Non illustrated part

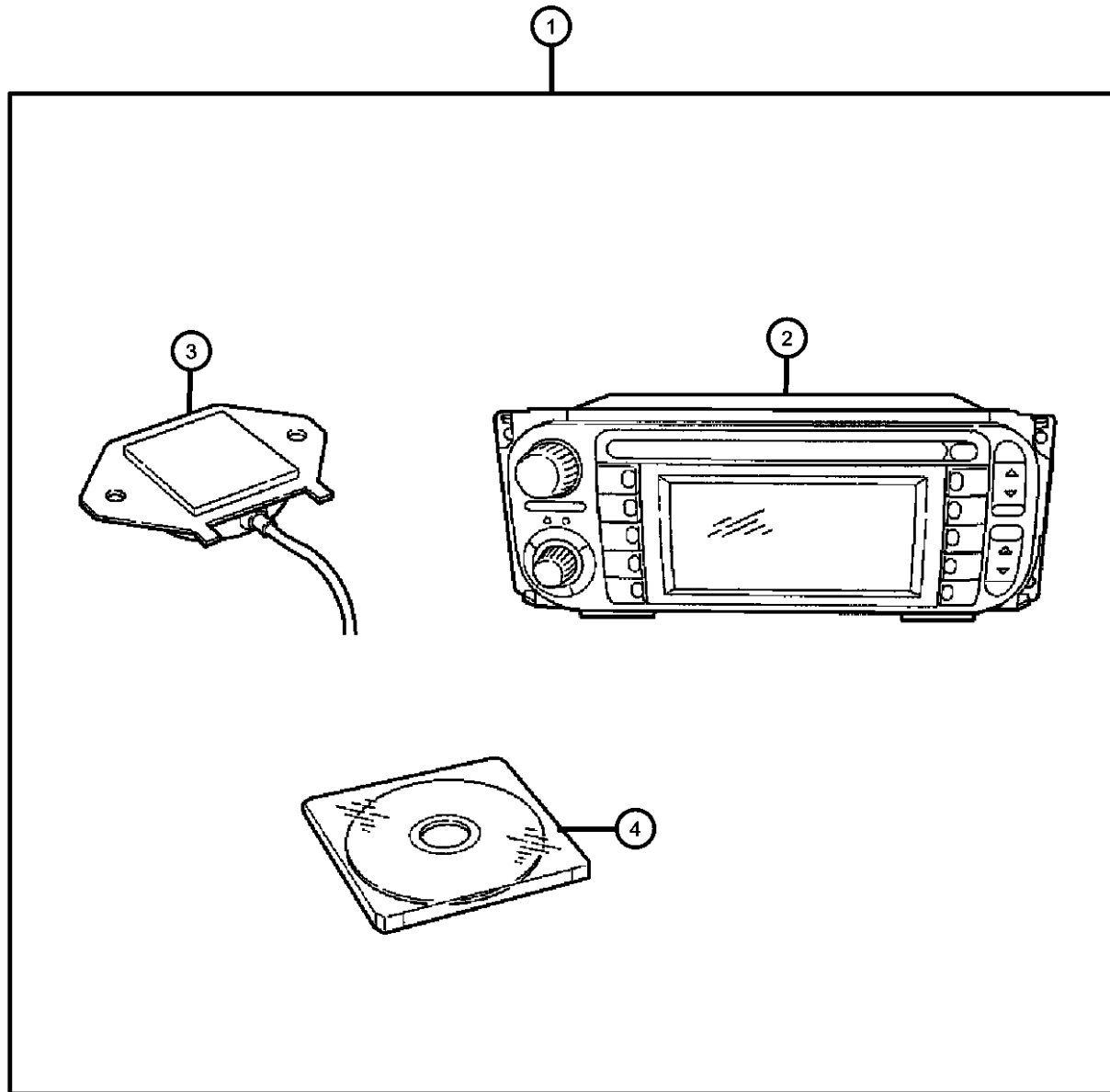
2005 PL

Navigation Kit (RB4)
Figure 1-135

ITEM	PART NUMBER	QTY	LINE	SERIES	BODY	ENGINE	TRANS	TRIM	DESCRIPTION
------	-------------	-----	------	--------	------	--------	-------	------	-------------

Note: For Warranty Repair on Item 2, Order Using Z Prefix

1	82208481	1							RADIO, AM/FM CD W/NAV/DVD & CD-CTRL, [RB4]
2	56043286AE	1							RADIO, AM/FM CD W/NAV/DVD & CD-CTRL
3	05094003AA	1							ANTENNA, Satellite
4	05091501AG	1							COMPACT DISC, Navigation



NEON (US) SX 2.0 (CANADA) (PL)

SERIES	LINE
E = ECONOMY	C = CHRYSLER
H = HIGHLINE	Z = CHRYSLER
L = LOWLINE	D = DODGE
P = PREMIUM	P = PLYMOUTH
S = SPORT	
X = SPECIAL	

BODY
22 = 2-DR PILLARED HARDTOP
41 = SEDAN/QUAD CAB SWB
42 = PILLARED HARDTOP/QUAD CAB
LWB

ENGINE
ECC = Engine - 2.0L 4 Cyl DOHC 16V SMPI
ECH = Engine - 2.0L 4 Cyl SOHC 16V Hi Perf
EDV = Engine - 2.4L I4 DOHC 16V H.O. Turbo
EJD = Engine - 1.6L 4 Cyl SOHC 16V SMPI
ECB = Engine - 2.0L 4 Cyl SOHC 16V SMPI

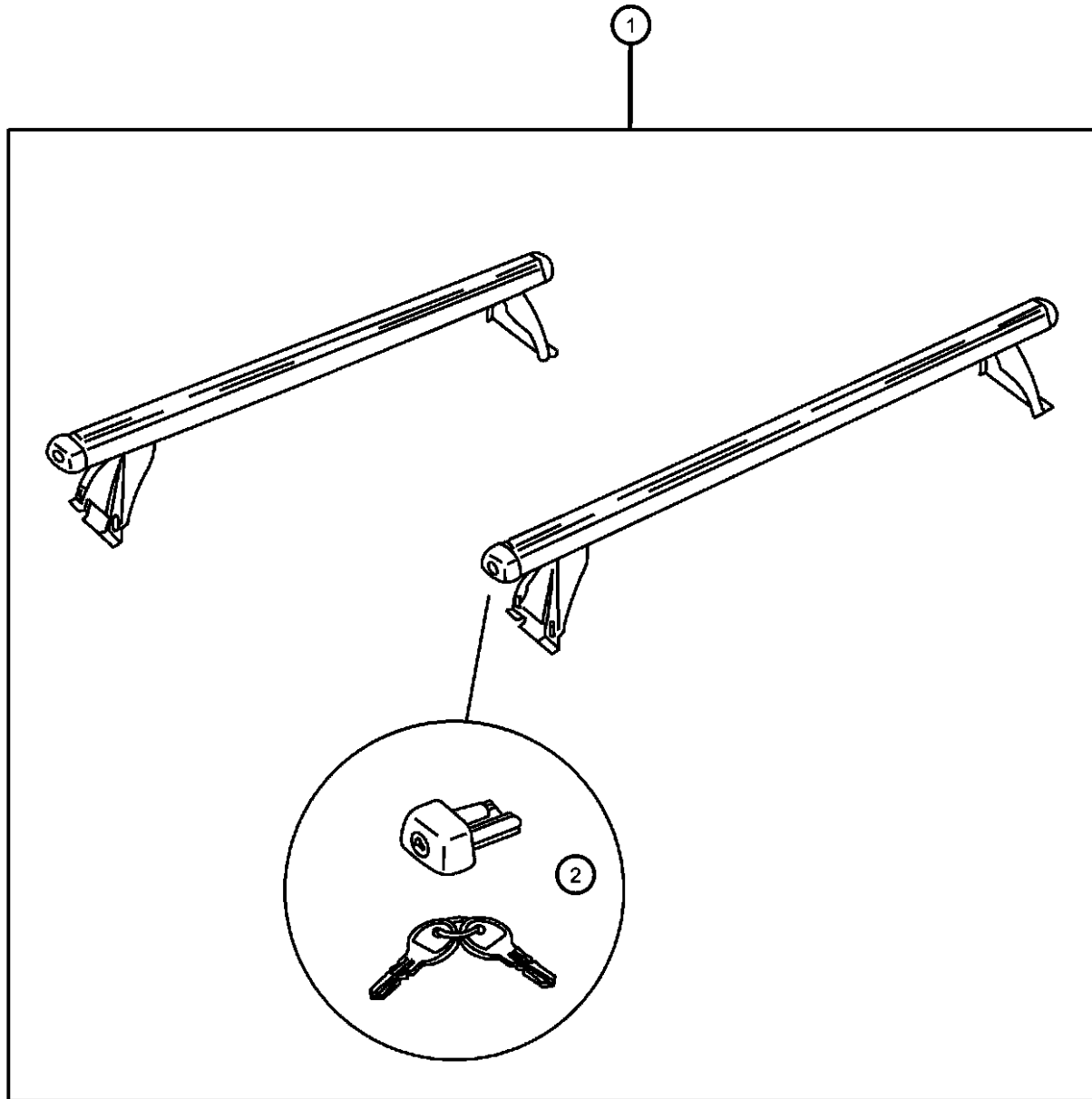
TRANSMISSION
DD5 = Transmission - 5-Speed Manual
DDR = Transmission - 5-Speed Manual
DGC = Transmission - 3-Speed Automatic
DGL = Transmission - 4-Spd. Automatic

AR = use ase required - = Non illustrated part

2005 PL

Rack Kit - Removable - Roof
Figure 1-205

ITEM	PART NUMBER	QTY	LINE	SERIES	BODY	ENGINE	TRANS	TRIM	DESCRIPTION
1	82205697	1			41				RACK KIT, Multipurpose
2	05072276AA	1			41				END CAP, Roof Rack Side Rail
-3	05066632AA	1							TOOL, Screw Driver



NEON (US) SX 2.0 (CANADA) (PL)

SERIES LINE
 E = ECONOMY C = CHRYSLER
 H = HIGHLINE Z = CHRYSLER
 L = LOWLINE D = DODGE
 P = PREMIUM P = PLYMOUTH
 S = SPORT
 X = SPECIAL

BODY
 22 = 2-DR PILLARED
 HARDTOP
 41 = SEDAN/QUAD CAB
 SWB
 42 = PILLARED
 HARDTOP/QUAD CAB
 LWB

ENGINE
 ECC = Engine - 2.0L 4 Cyl
 DOHC 16V SMPI
 ECH = Engine - 2.0L 4 Cyl
 SOHC 16V Hi Perf
 EDV = Engine - 2.4L I4 DOHC
 16V H.O. Turbo
 EJD = Engine - 1.6L 4 Cyl
 SOHC 16V SMPI
 ECB = Engine - 2.0L 4 Cyl
 SOHC 16V SMPI

TRANSMISSION
 DD5 = Transmission - 5-Speed Manual
 DDR = Transmission - 5-Speed
 Manual
 DGC = Transmission - 3-Speed
 Automatic
 DGL = Transmission - 4-Spd.
 Automatic

AR = use ase required - = Non illustrated part

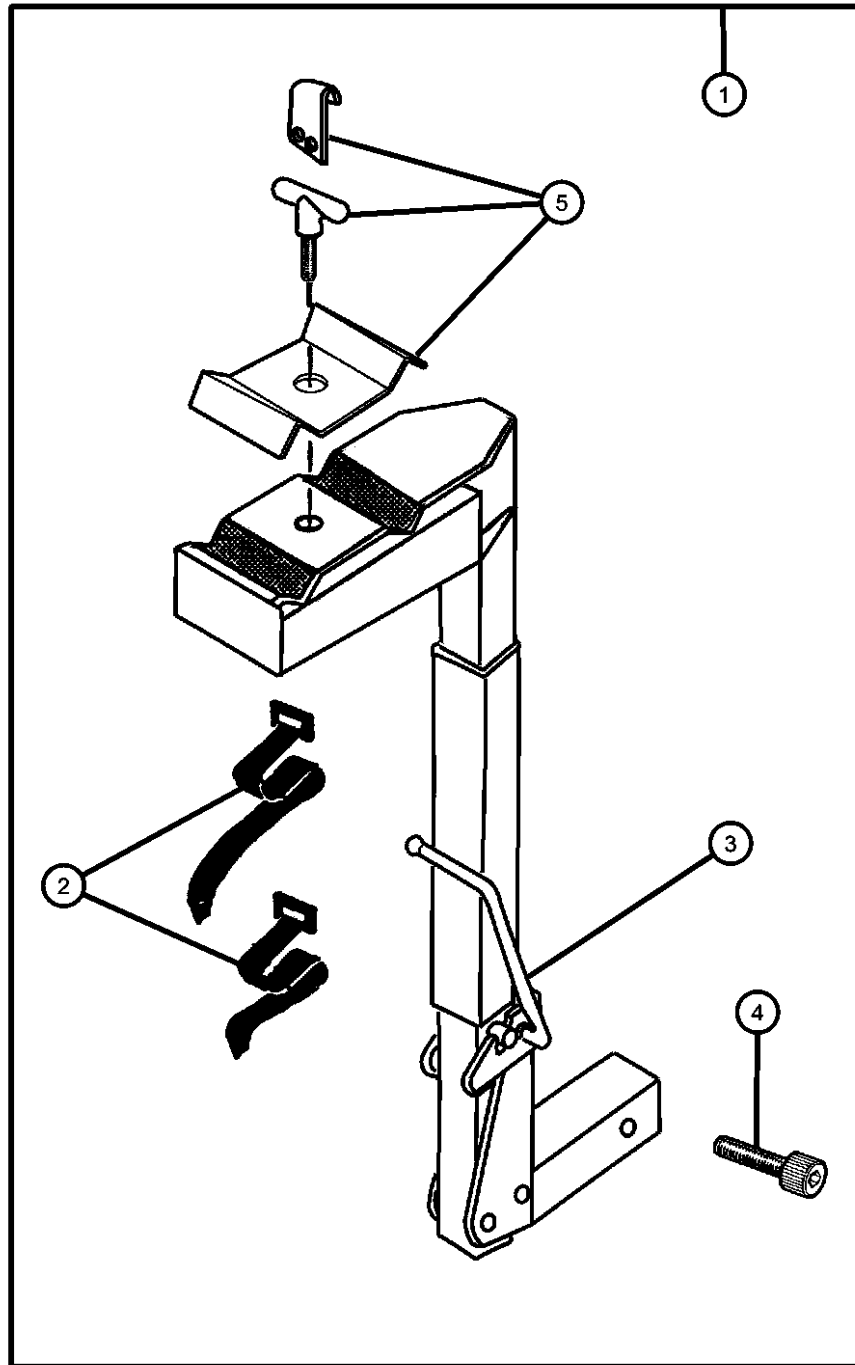
2005 PL

Bike Carrier - Hitch
Figure 1-210

ITEM	PART NUMBER	QTY	LINE	SERIES	BODY	ENGINE	TRANS	TRIM	DESCRIPTION
------	-------------	-----	------	--------	------	--------	-------	------	-------------

NOTE: Folds down for access to rear deck, has anti theft bolts.

1	82204452	1	D, P		41				CARRIER KIT, Bike
2	04762880	1	D, P		41				STRAP KIT, Velcro
3	05016775AA	1	D, P		41				STRAP KIT, Bike Carrier Latch
4	05016774AA	1	D, P		41				BOLT KIT, Security
5	05018825AA	1	D, P		41				HARDWARE KIT, Bike Carrier



NEON (US) SX 2.0 (CANADA) (PL)

SERIES	LINE
E = ECONOMY	C = CHRYSLER
H = HIGHLINE	Z = CHRYSLER
L = LOWLINE	D = DODGE
P = PREMIUM	P = PLYMOUTH
S = SPORT	
X = SPECIAL	

BODY
22 = 2-DR PILLARED
HARDTOP
41 = SEDAN/QUAD CAB
SWB
42 = PILLARED
HARDTOP/QUAD CAB
LWB

ENGINE
ECC = Engine - 2.0L 4 Cyl
DOHC 16V SMPI
ECH = Engine - 2.0L 4 Cyl
SOHC 16V Hi Perf
EDV = Engine - 2.4L I4 DOHC
16V H.O. Turbo
EJD = Engine - 1.6L 4 Cyl
SOHC 16V SMPI
ECB = Engine - 2.0L 4 Cyl
SOHC 16V SMPI

TRANSMISSION
DD5 = Transmission - 5-Speed Manual
DDR = Transmission - 5-Speed Manual
DGC = Transmission - 3-Speed Automatic
DGL = Transmission - 4-Spd. Automatic

AR = use ase required - = Non illustrated part

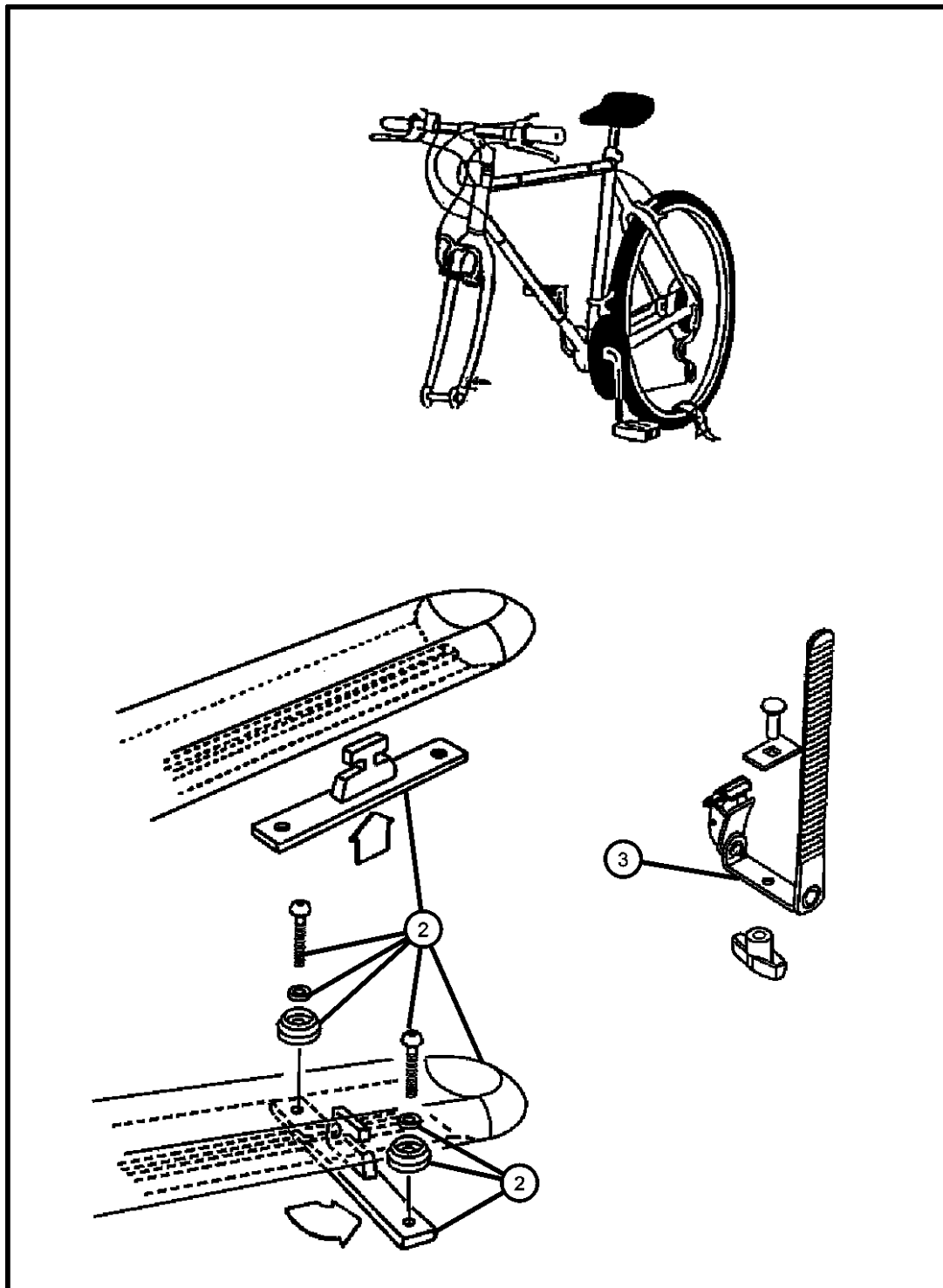
2005 PL

Bike Carrier Roof - Fork Mount
Figure 1-215

ITEM	PART NUMBER	QTY	LINE	SERIES	BODY	ENGINE	TRANS	TRIM	DESCRIPTION
------	-------------	-----	------	--------	------	--------	-------	------	-------------

Note; Removable Roof Rack Required

1	82207943	1	D, P		41				CARRIER KIT, Bike
2	05093779AA	1	D, P		41				HARDWARE KIT, Accessory
3	05114532AA	1	D, P		41				STRAP, Cargo Tie Down



NEON (US) SX 2.0 (CANADA) (PL)

SERIES	LINE
E = ECONOMY	C = CHRYSLER
H = HIGHLINE	Z = CHRYSLER
L = LOWLINE	D = DODGE
P = PREMIUM	P = PLYMOUTH
S = SPORT	
X = SPECIAL	

BODY
22 = 2-DR PILLARED HARDTOP
41 = SEDAN/QUAD CAB SWB
42 = PILLARED HARDTOP/QUAD CAB
LWB

ENGINE
ECC = Engine - 2.0L 4 Cyl DOHC 16V SMPI
ECH = Engine - 2.0L 4 Cyl SOHC 16V Hi Perf
EDV = Engine - 2.4L I4 DOHC 16V H.O. Turbo
EJD = Engine - 1.6L 4 Cyl SOHC 16V SMPI
ECB = Engine - 2.0L 4 Cyl SOHC 16V SMPI

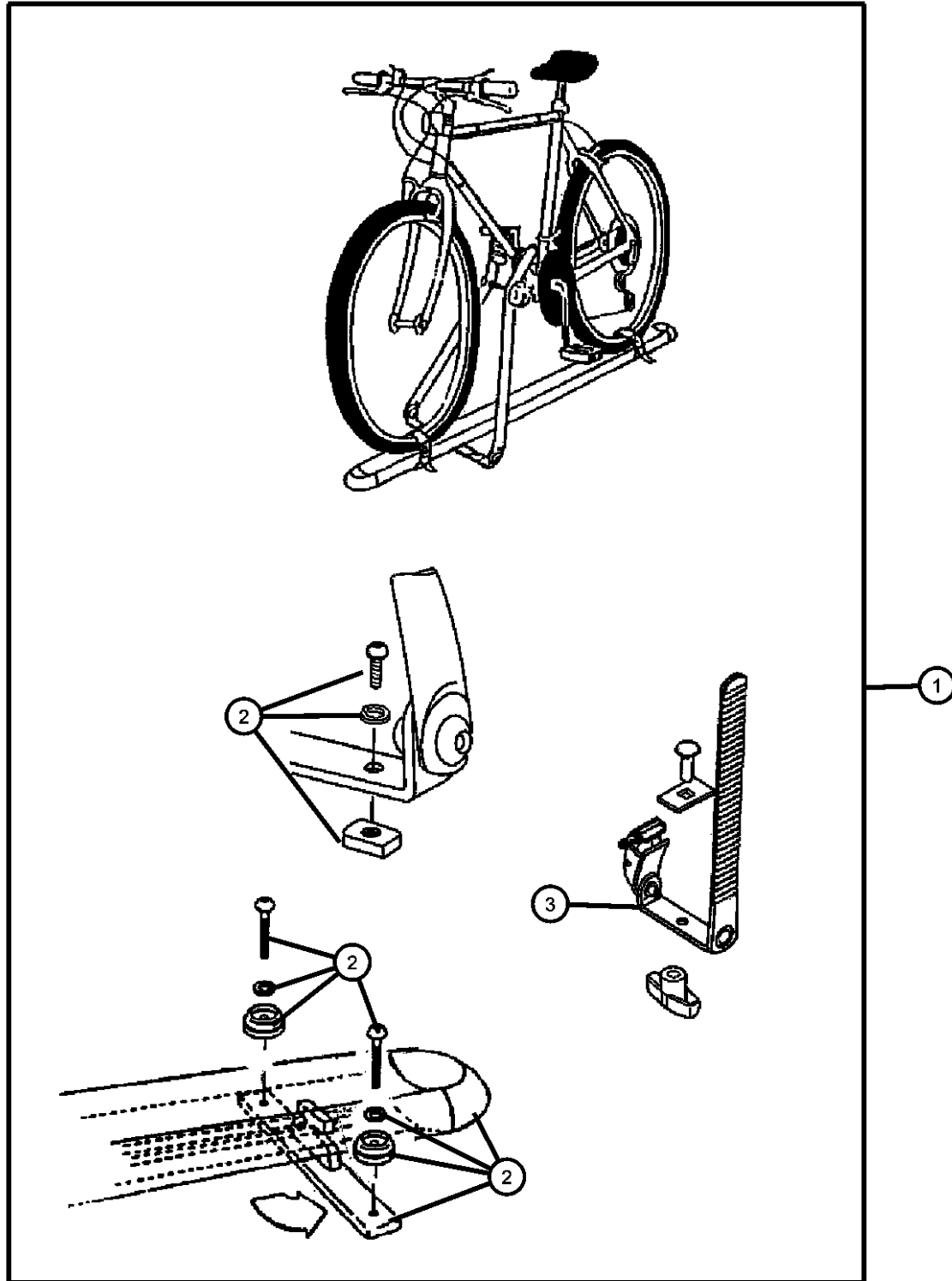
TRANSMISSION
DD5 = Transmission - 5-Speed Manual
DDR = Transmission - 5-Speed Manual
DGC = Transmission - 3-Speed Automatic
DGL = Transmission - 4-Spd. Automatic

AR = use ase required - = Non illustrated part

2005 PL

**Bike Carrier Roof - Upright Style
Figure 1-220**

ITEM	PART NUMBER	QTY	LINE	SERIES	BODY	ENGINE	TRANS	TRIM	DESCRIPTION
------	-------------	-----	------	--------	------	--------	-------	------	-------------



Note; Removable Roof Rack Required

1	82207942	1							CARRIER KIT, Bike
2	05093779AA	1							HARDWARE KIT, Accessory
3	05114532AA	1							STRAP, Cargo Tie Down

NEON (US) SX 2.0 (CANADA) (PL)

SERIES	LINE
E = ECONOMY	C = CHRYSLER
H = HIGHLINE	Z = CHRYSLER
L = LOWLINE	D = DODGE
P = PREMIUM	P = PLYMOUTH
S = SPORT	
X = SPECIAL	

BODY
22 = 2-DR PILLARED HARDTOP
41 = SEDAN/QUAD CAB SWB
42 = PILLARED HARDTOP/QUAD CAB LWB

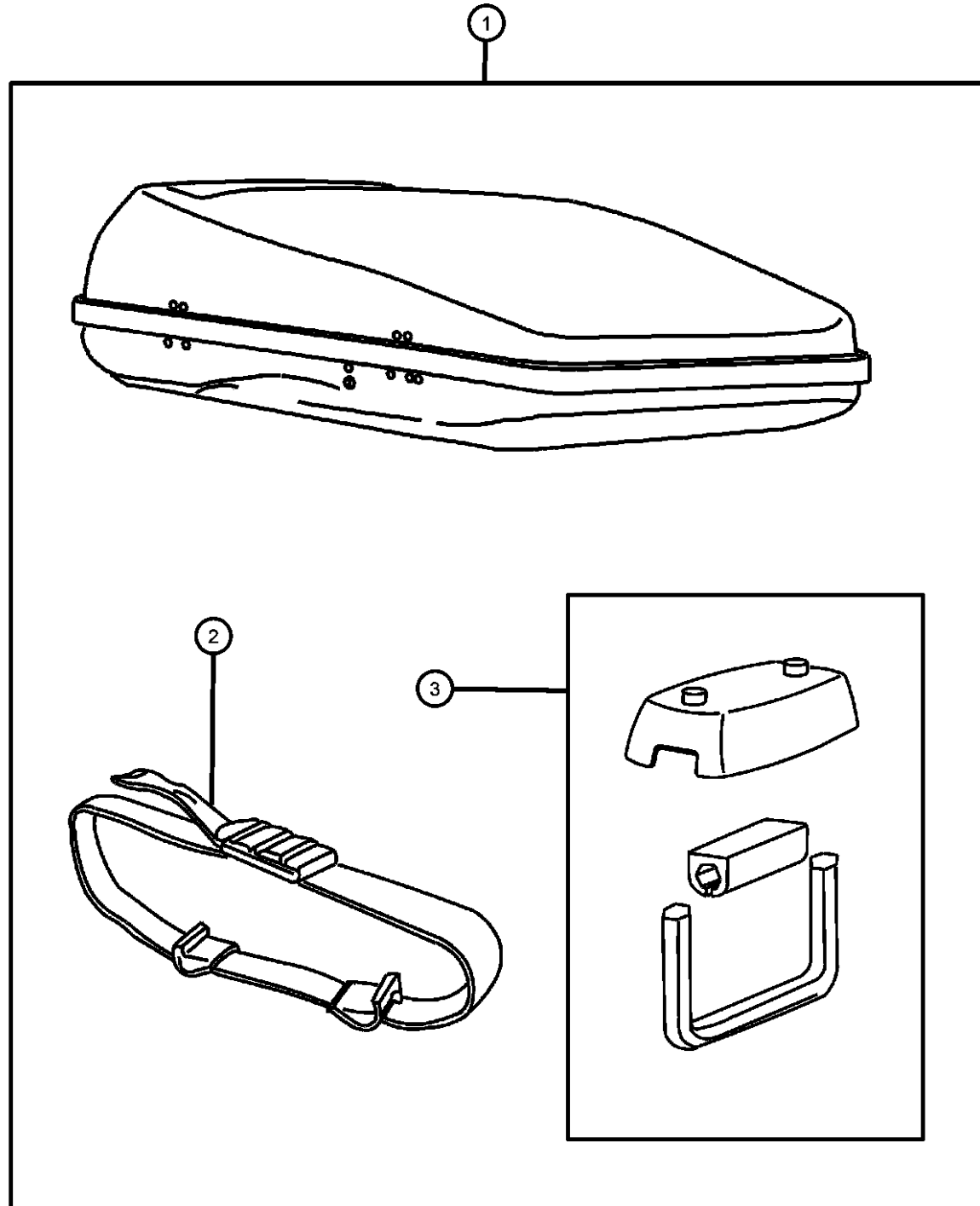
ENGINE
ECC = Engine - 2.0L 4 Cyl DOHC 16V SMPI
ECH = Engine - 2.0L 4 Cyl SOHC 16V Hi Perf
EDV = Engine - 2.4L I4 DOHC 16V H.O. Turbo
EJD = Engine - 1.6L 4 Cyl SOHC 16V SMPI
ECB = Engine - 2.0L 4 Cyl SOHC 16V SMPI

TRANSMISSION
DD5 = Transmission - 5-Speed Manual
DDR = Transmission - 5-Speed Manual
DGC = Transmission - 3-Speed Automatic
DGL = Transmission - 4-Spd. Automatic

AR = use ase required - = Non illustrated part

2005 PL

Carrier Kit - Luggage - Roof
Figure 1-225



ITEM	PART NUMBER	QTY	LINE	SERIES	BODY	ENGINE	TRANS	TRIM	DESCRIPTION
------	-------------	-----	------	--------	------	--------	-------	------	-------------

Note; Removable Roof Rack Required

1	82207353	1							CARRIER KIT, Luggage, 31 Inch x 71 Inch
2	05086160AA	1							STRAP, Cargo Tie Down
3	05086159AA	1							HARDWARE KIT

NEON (US) SX 2.0 (CANADA) (PL)

SERIES LINE
 E = ECONOMY C = CHRYSLER
 H = HIGHLINE Z = CHRYSLER
 L = LOWLINE D = DODGE
 P = PREMIUM P = PLYMOUTH
 S = SPORT
 X = SPECIAL

BODY
 22 = 2-DR PILLARED
 HARDTOP
 41 = SEDAN/QUAD CAB
 SWB
 42 = PILLARED
 HARDTOP/QUAD CAB
 LWB

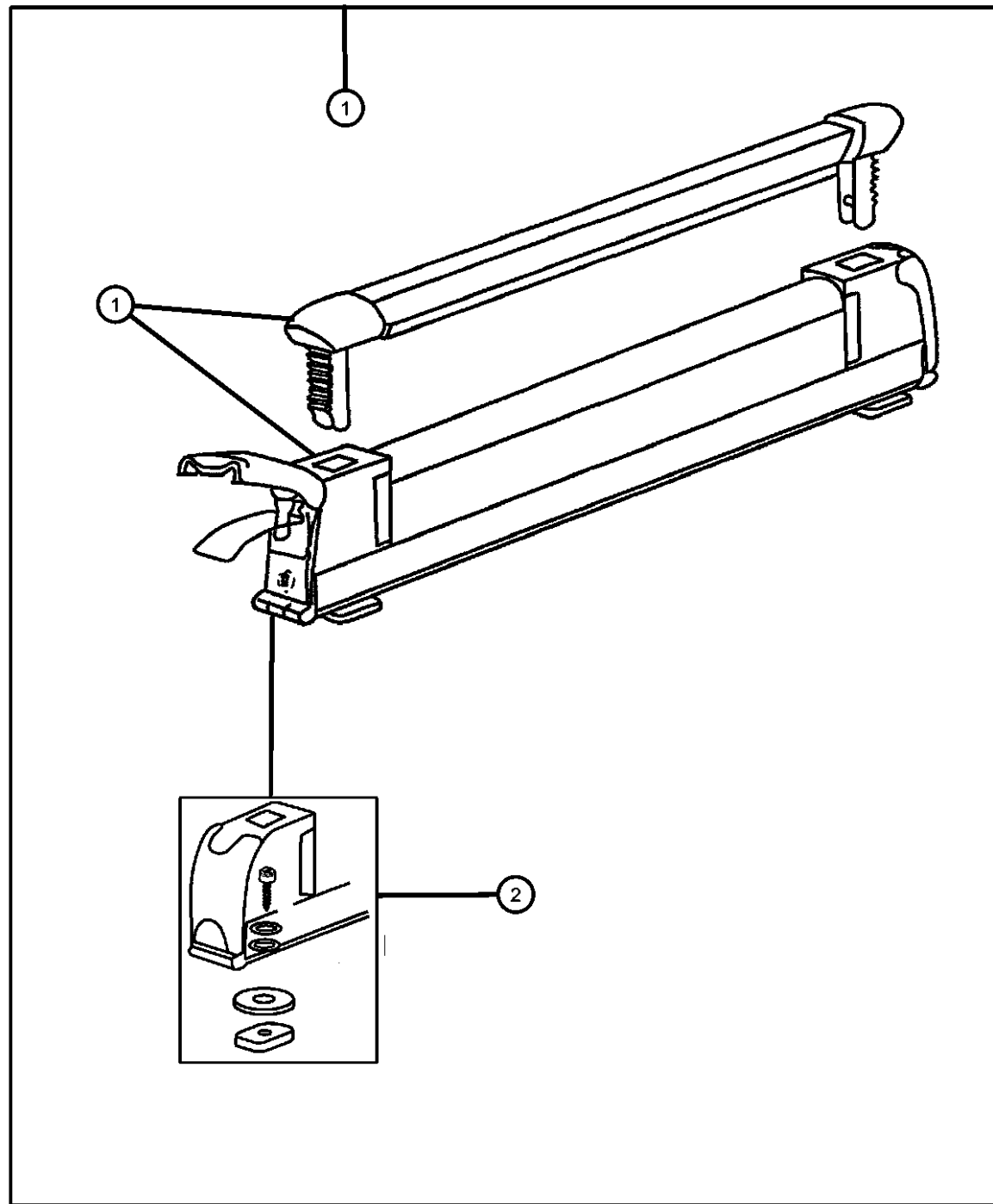
ENGINE
 ECC = Engine - 2.0L 4 Cyl
 DOHC 16V SMPI
 ECH = Engine - 2.0L 4 Cyl
 SOHC 16V Hi Perf
 EDV = Engine - 2.4L I4 DOHC
 16V H.O. Turbo
 EJD = Engine - 1.6L 4 Cyl
 SOHC 16V SMPI
 ECB = Engine - 2.0L 4 Cyl
 SOHC 16V SMPI

TRANSMISSION
 DD5 = Transmission - 5-Speed Manual
 DDR = Transmission - 5-Speed
 Manual
 DGC = Transmission - 3-Speed
 Automatic
 DGL = Transmission - 4-Spd.
 Automatic

AR = use ase required - = Non illustrated part

2005 PL

Ski Carrier - Roof
Figure 1-230



ITEM	PART NUMBER	QTY	LINE	SERIES	BODY	ENGINE	TRANS	TRIM	DESCRIPTION
------	-------------	-----	------	--------	------	--------	-------	------	-------------

Note; Removable Roof Rack Required

1	82207308	1							CARRIER KIT, Ski
	82207312	1							6 Pair or 4 Snowboards
	05086158AA	1							3 Pair or 2 Snowboards
2	05066632AA	1							HARDWARE KIT, Accessory, Contains: 4 - 25MM Screws, 4 - 20M Screws, 4 - 16MM Screws, 4 - Lock Washers, 4 - Flat Washers, 4 - T Plates, 4 - Rubber Washers
-3									TOOL, Screw Driver

CARRIER KIT, Ski
6 Pair or 4 Snowboards
3 Pair or 2 Snowboards
HARDWARE KIT, Accessory,
Contains: 4 - 25MM Screws, 4 -
20M Screws, 4 - 16MM Screws, 4 -
Lock Washers, 4 - Flat Washers, 4 -
T Plates, 4 - Rubber Washers
TOOL, Screw Driver

NEON (US) SX 2.0 (CANADA) (PL)

SERIES	LINE
E = ECONOMY	C = CHRYSLER
H = HIGHLINE	Z = CHRYSLER
L = LOWLINE	D = DODGE
P = PREMIUM	P = PLYMOUTH
S = SPORT	
X = SPECIAL	

BODY
22 = 2-DR PILLARED HARDTOP
41 = SEDAN/QUAD CAB SWB
42 = PILLARED HARDTOP/QUAD CAB
LWB

ENGINE
ECC = Engine - 2.0L 4 Cyl DOHC 16V SMPI
ECH = Engine - 2.0L 4 Cyl SOHC 16V Hi Perf
EDV = Engine - 2.4L I4 DOHC 16V H.O. Turbo
EJD = Engine - 1.6L 4 Cyl SOHC 16V SMPI
ECB = Engine - 2.0L 4 Cyl SOHC 16V SMPI

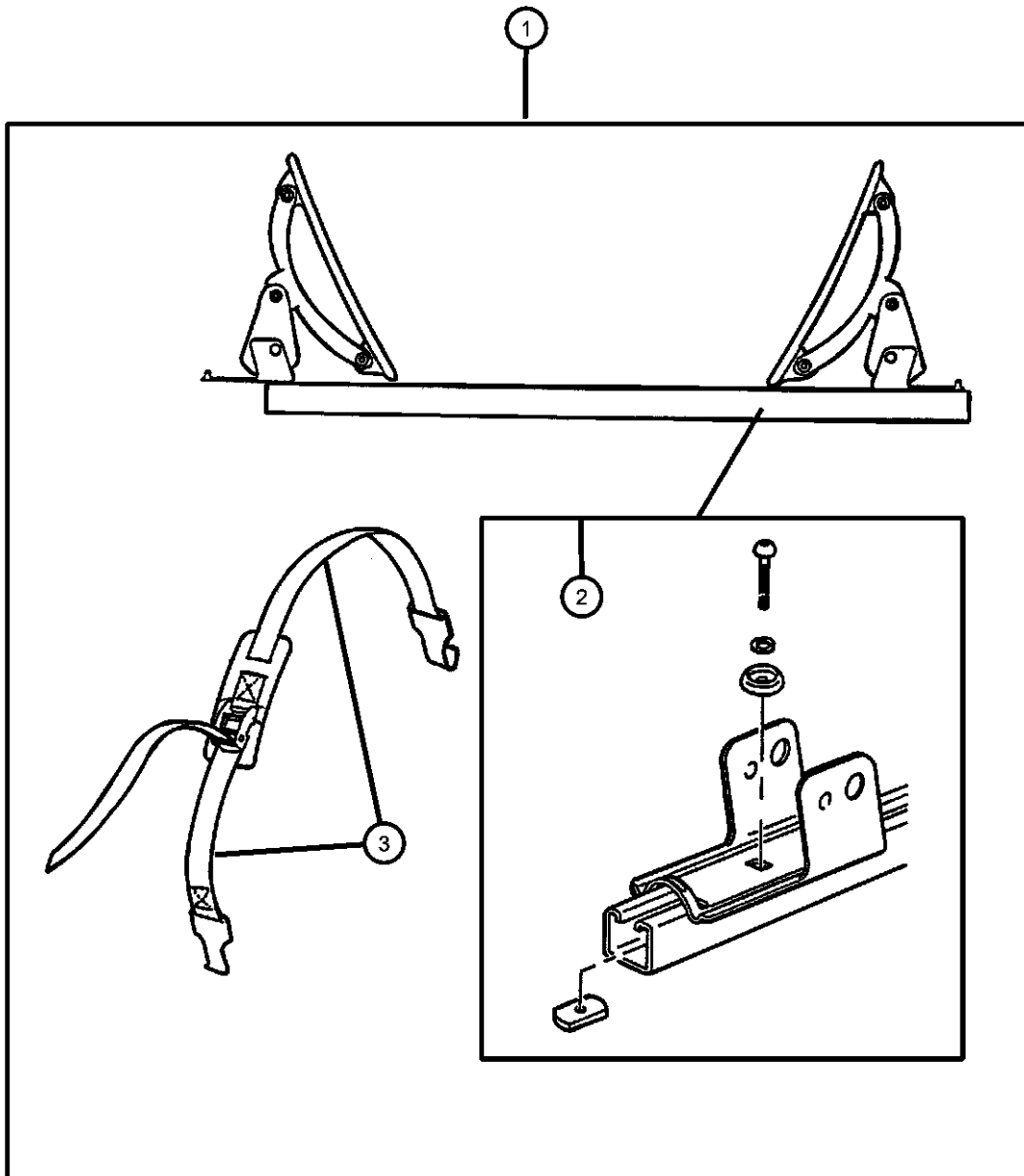
TRANSMISSION
DD5 = Transmission - 5-Speed Manual
DDR = Transmission - 5-Speed Manual
DGC = Transmission - 3-Speed Automatic
DGL = Transmission - 4-Spd. Automatic

AR = use ase required - = Non illustrated part

2005 PL

Carrier Kit - Watersports - Roof
Figure 1-235

ITEM	PART NUMBER	QTY	LINE	SERIES	BODY	ENGINE	TRANS	TRIM	DESCRIPTION
------	-------------	-----	------	--------	------	--------	-------	------	-------------



Note; Removable Roof Rack Required

1	82205416	1			41				CARRIER KIT, Water Sports, Kayak, Surfboard, Sailboard
2	05016389AA	1			41				HARDWARE KIT, Accessory
3	05166194AA	1							STRAP, Cargo Tie Down
-4	05066632AA	1							TOOL, Screw Driver

NEON (US) SX 2.0 (CANADA) (PL)

SERIES	LINE
E = ECONOMY	C = CHRYSLER
H = HIGHLINE	Z = CHRYSLER
L = LOWLINE	D = DODGE
P = PREMIUM	P = PLYMOUTH
S = SPORT	
X = SPECIAL	

BODY
22 = 2-DR PILLARED HARDTOP
41 = SEDAN/QUAD CAB SWB
42 = PILLARED HARDTOP/QUAD CAB
LWB

ENGINE
ECC = Engine - 2.0L 4 Cyl DOHC 16V SMPI
ECH = Engine - 2.0L 4 Cyl SOHC 16V Hi Perf
EDV = Engine - 2.4L I4 DOHC 16V H.O. Turbo
EJD = Engine - 1.6L 4 Cyl SOHC 16V SMPI
ECB = Engine - 2.0L 4 Cyl SOHC 16V SMPI

TRANSMISSION
DD5 = Transmission - 5-Speed Manual
DDR = Transmission - 5-Speed Manual
DGC = Transmission - 3-Speed Automatic
DGL = Transmission - 4-Spd. Automatic

AR = use ase required - = Non illustrated part

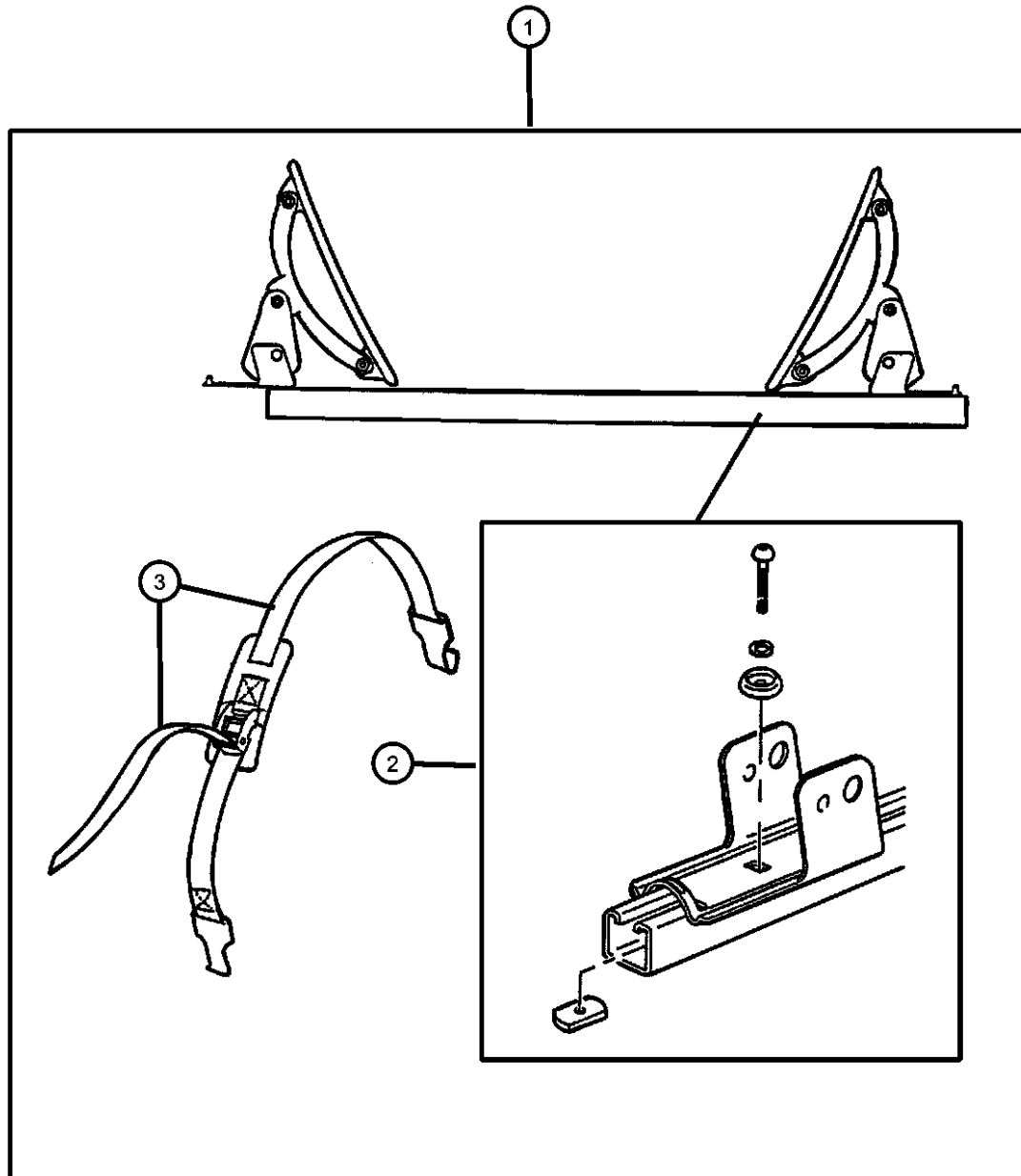
2005 PL

Carrier Kit -Canoe - Roof
Figure 1-236

ITEM	PART NUMBER	QTY	LINE	SERIES	BODY	ENGINE	TRANS	TRIM	DESCRIPTION
------	-------------	-----	------	--------	------	--------	-------	------	-------------

Note; Removable Roof Rack Required

1	82204700	1							CARRIER KIT, Canoe
2	05016389AA	1							HARDWARE KIT, Accessory
3	05166194AA	1							STRAP, Cargo Tie Down



NEON (US) SX 2.0 (CANADA) (PL)

SERIES	LINE
E = ECONOMY	C = CHRYSLER
H = HIGHLINE	Z = CHRYSLER
L = LOWLINE	D = DODGE
P = PREMIUM	P = PLYMOUTH
S = SPORT	
X = SPECIAL	

BODY
22 = 2-DR PILLARED
HARDTOP
41 = SEDAN/QUAD CAB
SWB
42 = PILLARED
HARDTOP/QUAD CAB
LWB

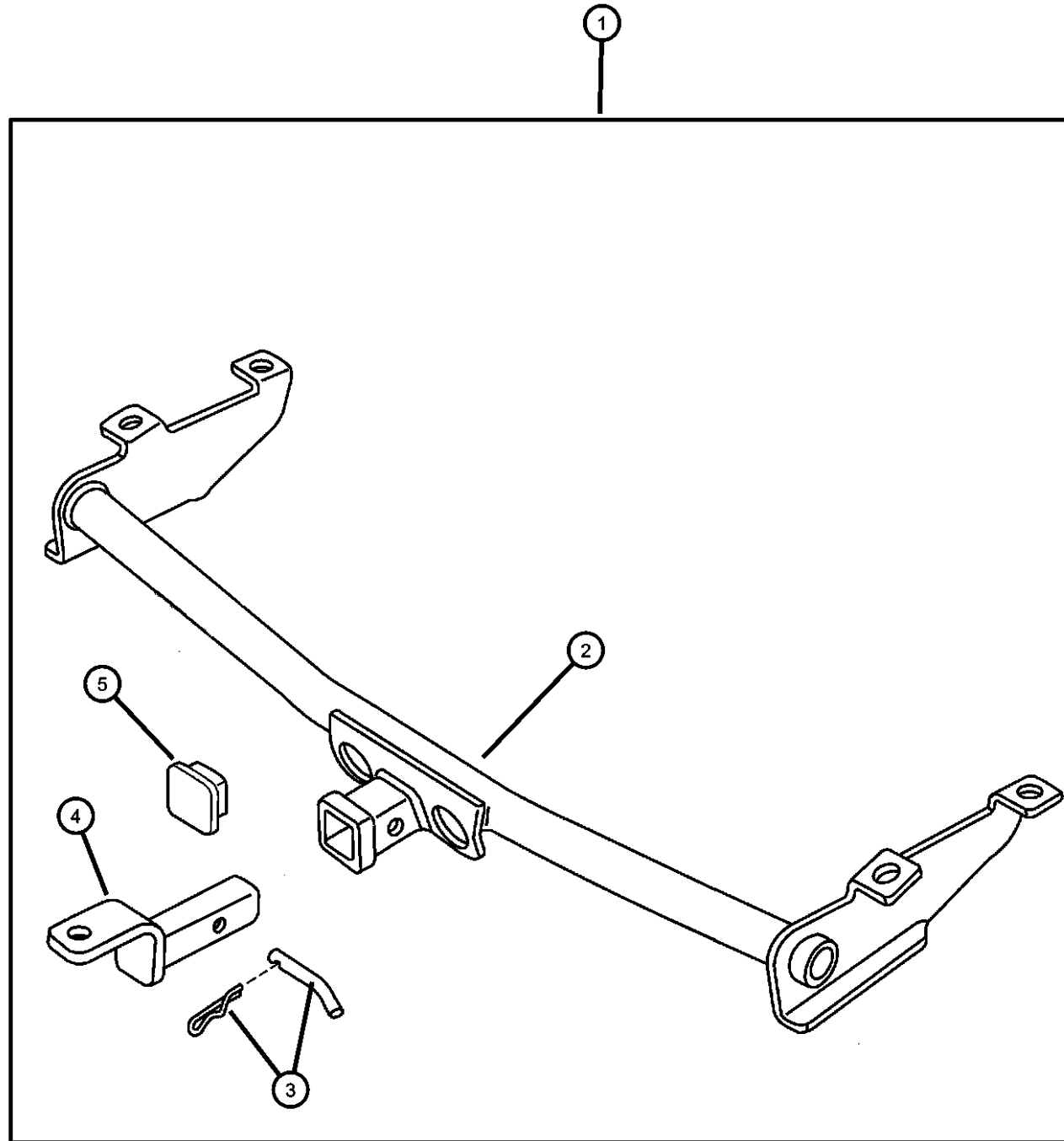
ENGINE
ECC = Engine - 2.0L 4 Cyl
DOHC 16V SMPI
ECH = Engine - 2.0L 4 Cyl
SOHC 16V Hi Perf
EDV = Engine - 2.4L I4 DOHC
16V H.O. Turbo
EJD = Engine - 1.6L 4 Cyl
SOHC 16V SMPI
ECB = Engine - 2.0L 4 Cyl
SOHC 16V SMPI

TRANSMISSION
DD5 = Transmission - 5-Speed Manual
DDR = Transmission - 5-Speed Manual
DGC = Transmission - 3-Speed Automatic
DGL = Transmission - 4-Spd. Automatic

AR = use ase required - = Non illustrated part

2005 PL

Trailer Tow
Figure 1-240



ITEM	PART NUMBER	QTY	LINE	SERIES	BODY	ENGINE	TRANS	TRIM	DESCRIPTION
1	82205890	1							RECEIVER KIT, Trailer Tow
2	82205890	1							HITCH, Trailer, (NOT SERVICED)
3	05016666AA	1							PIN, Hitch
4	05016666AA	1							DRAWBAR, Attachment, Serviced in Kit, (NOT SERVICED)
5	82208456	1							COVER KIT, Trailer Tow, Serviced in Kit

NEON (US) SX 2.0 (CANADA) (PL)

SERIES LINE
 E = ECONOMY C = CHRYSLER
 H = HIGHLINE Z = CHRYSLER
 L = LOWLINE D = DODGE
 P = PREMIUM P = PLYMOUTH
 S = SPORT
 X = SPECIAL

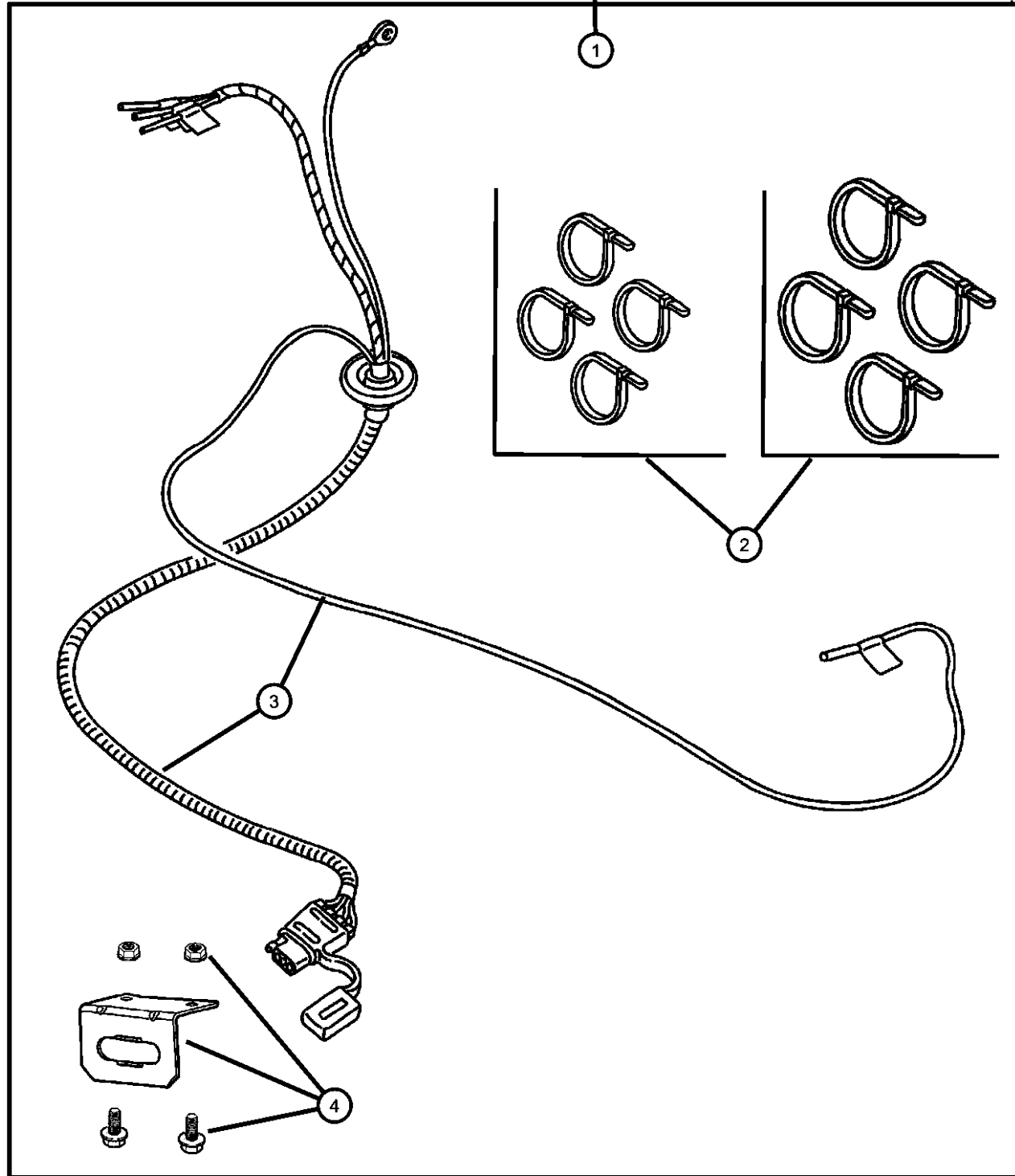
BODY
 22 = 2-DR PILLARED
 HARDTOP
 41 = SEDAN/QUAD CAB
 SWB
 42 = PILLARED
 HARDTOP/QUAD CAB
 LWB

ENGINE
 ECC = Engine - 2.0L 4 Cyl
 DOHC 16V SMPI
 ECH = Engine - 2.0L 4 Cyl
 SOHC 16V Hi Perf
 EDV = Engine - 2.4L I4 DOHC
 16V H.O. Turbo
 EJD = Engine - 1.6L 4 Cyl
 SOHC 16V SMPI
 ECB = Engine - 2.0L 4 Cyl
 SOHC 16V SMPI

TRANSMISSION
 DD5 = Transmission - 5-Speed Manual
 DDR = Transmission - 5-Speed
 Manual
 DGC = Transmission - 3-Speed
 Automatic
 DGL = Transmission - 4-Spd.
 Automatic

AR = use ase required - = Non illustrated part

**Wiring Package - Trailer Tow
Figure 1-245**



ITEM	PART NUMBER	QTY	LINE	SERIES	BODY	ENGINE	TRANS	TRIM	DESCRIPTION
1	82205158	1	D, P		41				WIRING PACKAGE, Trailer Tow
2	06015756	2							STRAP, Tie
	06016155	1	D, P		41				
3	06016155	1							WIRING, Trailer Tow - 4 Way, Serviced in Package, (NOT SERVICED)
4	82204602	1							BRACKET KIT, Trailer Tow

NEON (US) SX 2.0 (CANADA) (PL)

SERIES	LINE
E = ECONOMY	C = CHRYSLER
H = HIGHLINE	Z = CHRYSLER
L = LOWLINE	D = DODGE
P = PREMIUM	P = PLYMOUTH
S = SPORT	
X = SPECIAL	

BODY
22 = 2-DR PILLARED HARDTOP
41 = SEDAN/QUAD CAB SWB
42 = PILLARED HARDTOP/QUAD CAB
LWB

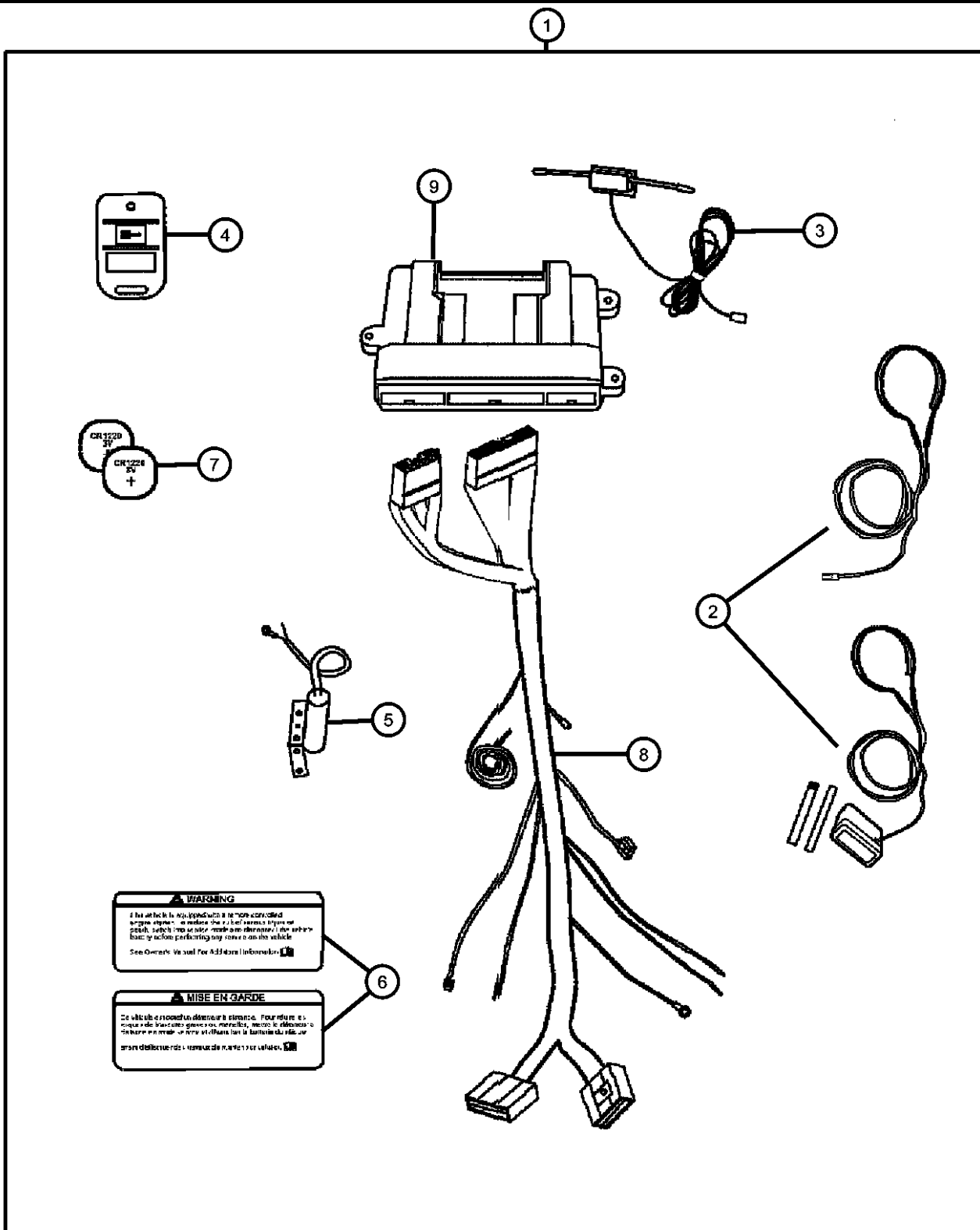
ENGINE
ECC = Engine - 2.0L 4 Cyl DOHC 16V SMPI
ECH = Engine - 2.0L 4 Cyl SOHC 16V Hi Perf
EDV = Engine - 2.4L I4 DOHC 16V H.O. Turbo
EJD = Engine - 1.6L 4 Cyl SOHC 16V SMPI
ECB = Engine - 2.0L 4 Cyl SOHC 16V SMPI

TRANSMISSION
DD5 = Transmission - 5-Speed Manual
DDR = Transmission - 5-Speed Manual
DGC = Transmission - 3-Speed Automatic
DGL = Transmission - 4-Spd. Automatic

AR = use ase required - = Non illustrated part

2005 PL

Remote Start - Installation Kit
Figure 1-310



ITEM	PART NUMBER	QTY	LINE	SERIES	BODY	ENGINE	TRANS	TRIM	DESCRIPTION
1	82209000	1							INSTALL KIT, REMOTE START
2	05140470AA	1							ANTENNA, Dipole
3	05140471AA	1							ANTENNA, Transponder
4	05140472AA	1							TRANSMITTER
5	05140473AA	1							SWITCH
6	05140474AA	1							LABEL, Warning Label
7	05140773AA	1							BATTERY, Transmitter, 3 Volt, 12 Per Package
8	05140773AA	1							HARNES, HARNES-ENGINE, Serviced in Electrical, (NOT SERVICED)
9	82208859	1							MODULE KIT, REMOTE START

WARNING
 If the vehicle is equipped with a remote-controlled engine system, to ensure the proper operation of the system, please refer to the vehicle's owner's manual for information on the correct location for installing any remote on the vehicle.
 See Owner's Manual For Address Information.

MISE EN GARDE
 Ce véhicule est équipé d'un démarreur à distance. Pour assurer le bon fonctionnement du système, veuillez vous référer au manuel du propriétaire du véhicule pour connaître l'emplacement correct de l'installation de tout dispositif de démarrage à distance sur le véhicule.

NEON (US) SX 2.0 (CANADA) (PL)

SERIES LINE
 E = ECONOMY C = CHRYSLER
 H = HIGHLINE Z = CHRYSLER
 L = LOWLINE D = DODGE
 P = PREMIUM P = PLYMOUTH
 S = SPORT
 X = SPECIAL

BODY
 22 = 2-DR PILLARED
 HARDTOP
 41 = SEDAN/QUAD CAB
 SWB
 42 = PILLARED
 HARDTOP/QUAD CAB
 LWB

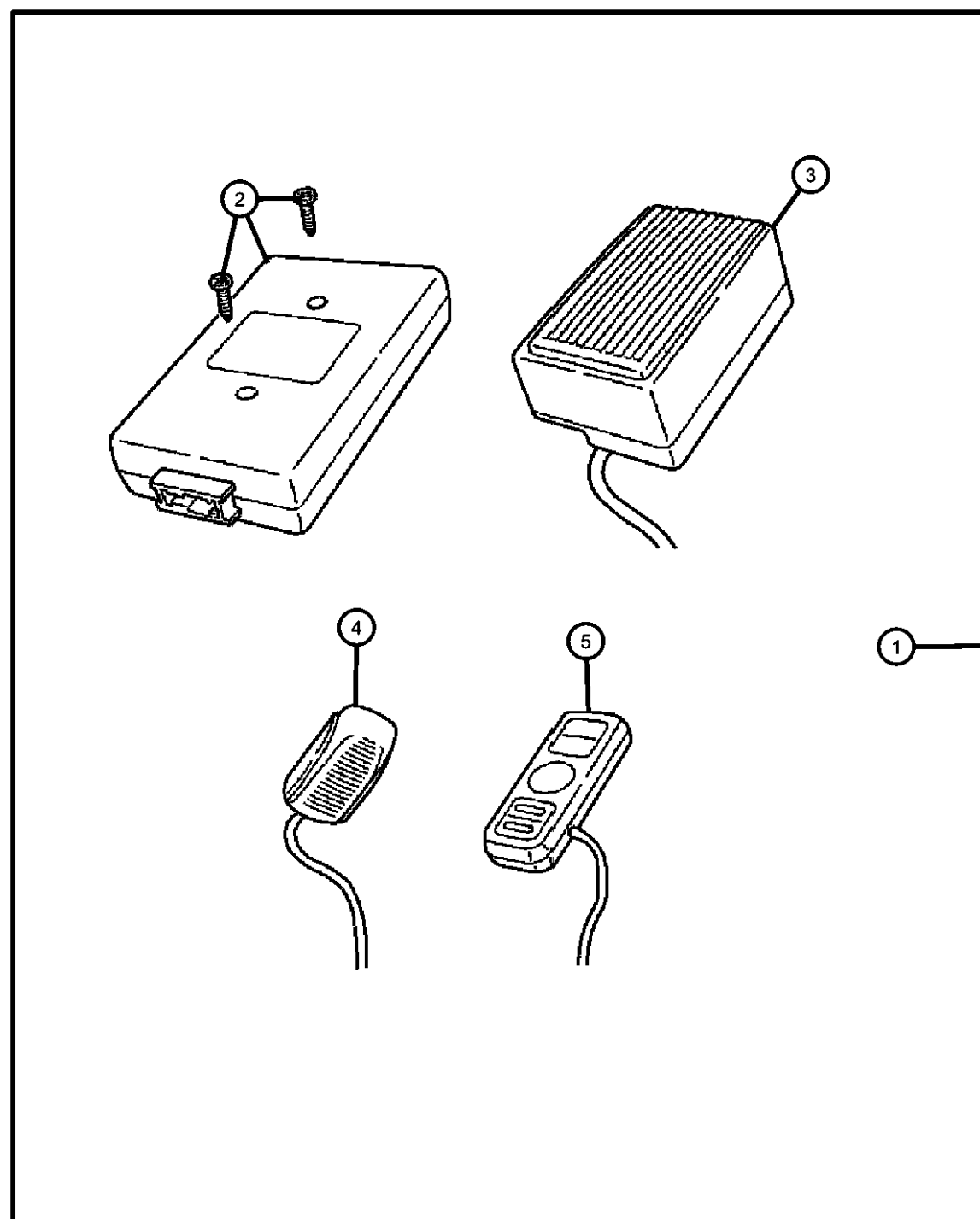
ENGINE
 ECC = Engine - 2.0L 4 Cyl
 DOHC 16V SMPI
 ECH = Engine - 2.0L 4 Cyl
 SOHC 16V Hi Perf
 EDV = Engine - 2.4L I4 DOHC
 16V H.O. Turbo
 EJD = Engine - 1.6L 4 Cyl
 SOHC 16V SMPI
 ECB = Engine - 2.0L 4 Cyl
 SOHC 16V SMPI

TRANSMISSION
 DD5 = Transmission - 5-Speed Manual
 DDR = Transmission - 5-Speed
 Manual
 DGC = Transmission - 3-Speed
 Automatic
 DGL = Transmission - 4-Spd.
 Automatic

AR = use ase required - = Non illustrated part

2005 PL

Figure 1-320



ITEM	PART NUMBER	QTY	LINE	SERIES	BODY	ENGINE	TRANS	TRIM	DESCRIPTION
------	-------------	-----	------	--------	------	--------	-------	------	-------------

Note; For Warranty Repair On Item 2, Order Using Z Prefix

1	82207853AC	1							HANDS FREE KIT, Cellular Phone
2	05114359AC	1							MODULE, U Connect
3	05102026AA	1							SPEAKER, Front
4	05102025AA	1							MICROPHONE, Audio
5	05102027AA	1							CONTROLLER, Audio

NEON (US) SX 2.0 (CANADA) (PL)

SERIES LINE
 E = ECONOMY C = CHRYSLER
 H = HIGHLINE Z = CHRYSLER
 L = LOWLINE D = DODGE
 P = PREMIUM P = PLYMOUTH
 S = SPORT
 X = SPECIAL

BODY
 22 = 2-DR PILLARED
 HARDTOP
 41 = SEDAN/QUAD CAB
 SWB
 42 = PILLARED
 HARDTOP/QUAD CAB
 LWB

ENGINE
 ECC = Engine - 2.0L 4 Cyl
 DOHC 16V SMPI
 ECH = Engine - 2.0L 4 Cyl
 SOHC 16V Hi Perf
 EDV = Engine - 2.4L I4 DOHC
 16V H.O. Turbo
 EJD = Engine - 1.6L 4 Cyl
 SOHC 16V SMPI
 ECB = Engine - 2.0L 4 Cyl
 SOHC 16V SMPI

TRANSMISSION
 DD5 = Transmission - 5-Speed Manual
 DDR = Transmission - 5-Speed
 Manual
 DGC = Transmission - 3-Speed
 Automatic
 DGL = Transmission - 4-Spd.
 Automatic

AR = use ase required - = Non illustrated part

2005 PL