

VIN PLATE DECODING INFORMATION

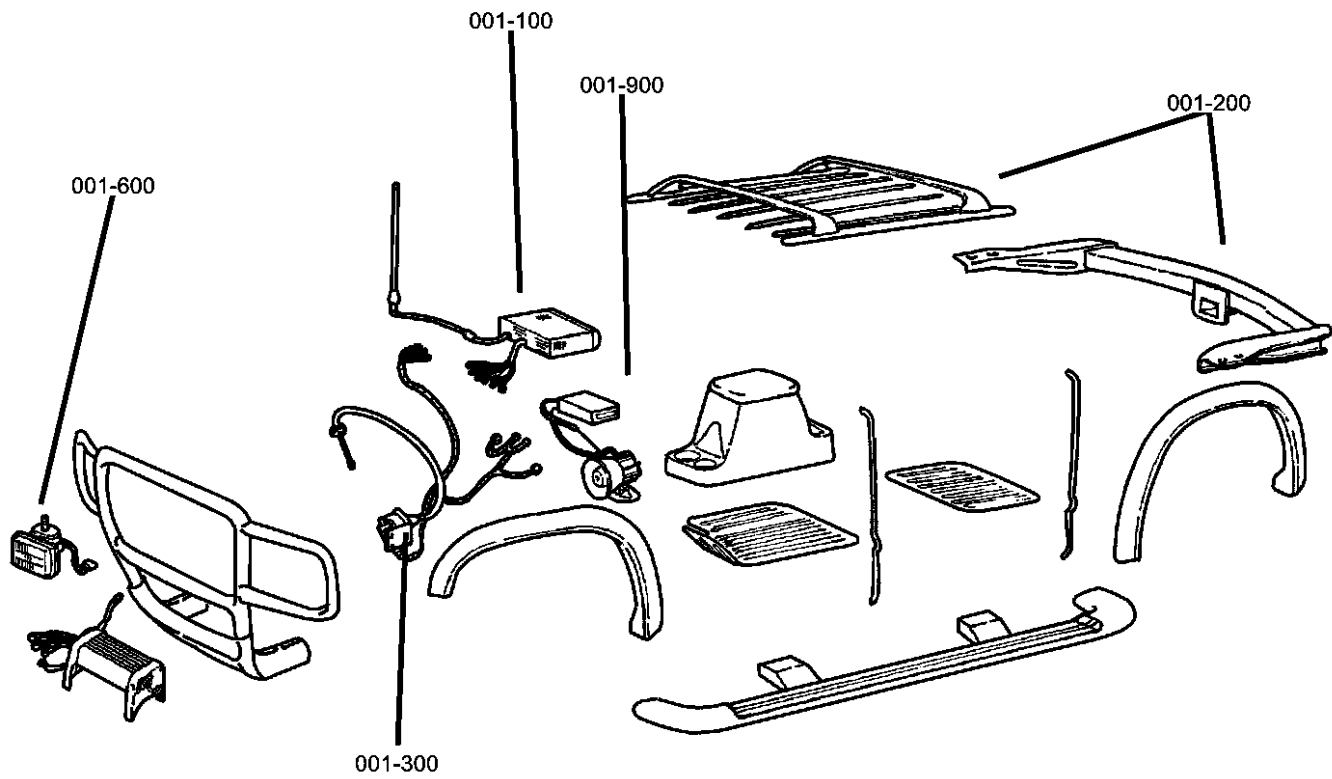
1	2	3	4	5	6	7	8	9	10	11	12 thru 17
Country	Make	Vehicle Type	Other	Line	Series	Body Style	Engine	Check Digit	Model Year	Assy. Plant	Sequence No.

The following table interprets the VIN Plate position shown above.

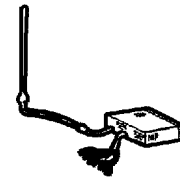
Position	Interpretation	Codes = Description
1	Country of Origin	1 = Built in U.S. by DaimlerChrysler Corporation
2	Assembler	C = Chrysler B = Dodge
3	Vehicle Type	3 = Passenger Car
4	GVWR & Pass. Safety	E = Restraint System Active Driver & Passenger Air Bags (CGW) A = Restraint System Active Front & Side Air Bags (CGS) B = Restraint System Manual/Active Uni-Belt (CGA) D = Restraint System w/o Air Bags Sales Code (CGJ)
5	Vehicle Line	S = Neon (LHD) V = Neon (RHD)
6	Series	1 = ACR (D-E41) 5 = ES (D-P41) 4 = LE (C-H41) * = LE (C-P41) * = LE (Z-P41) * = LX (C-S41) 5 = LX (D-P41) * = LX (Z-S41) 2 = Neon (D-L41) * = R/T (CZ-X41) 7 = R/T (D-X41) * = SE (C-H41) 2 = SE (C-L41) 4 = SE (CZ-H41) & (D-H41) 6 = SRT (D-S41)
7	Body Style	6 = 4 Door Sedan (41)
8	Engine	P = 1.6L 4 Cyl. 16V SOHC (EJD) F = 2.0L 4 Cyl. 16V HP (ECH) C = 2.0L 4 Cyl. 16V SOHC (ECB) S = 2.4L 4 Cyl. 16V DOHC H/O Turbo (EDV)
9	Check Digit	0 = Check Digit 0 = Check Digit
10	Model Year	4 = 2004
11	Assembly Plant	D = Belvidere
12 thru 17	Vehicle Build Sequence	Model Year Assembly Sequence

Group - 1

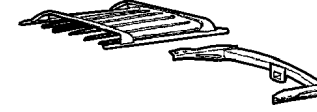
Component Parts for Mopar Accessories



001-100
Audio & Electronics



001-200
Carriers & Cargo Hauling



001-300
Driving Convenience



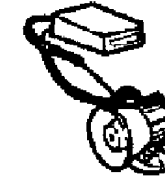
001-400
Exterior Appearance



001-600
Fog Lights & Electrical



001-900
Security



Group - 1 Component Parts for Mopar Accessories

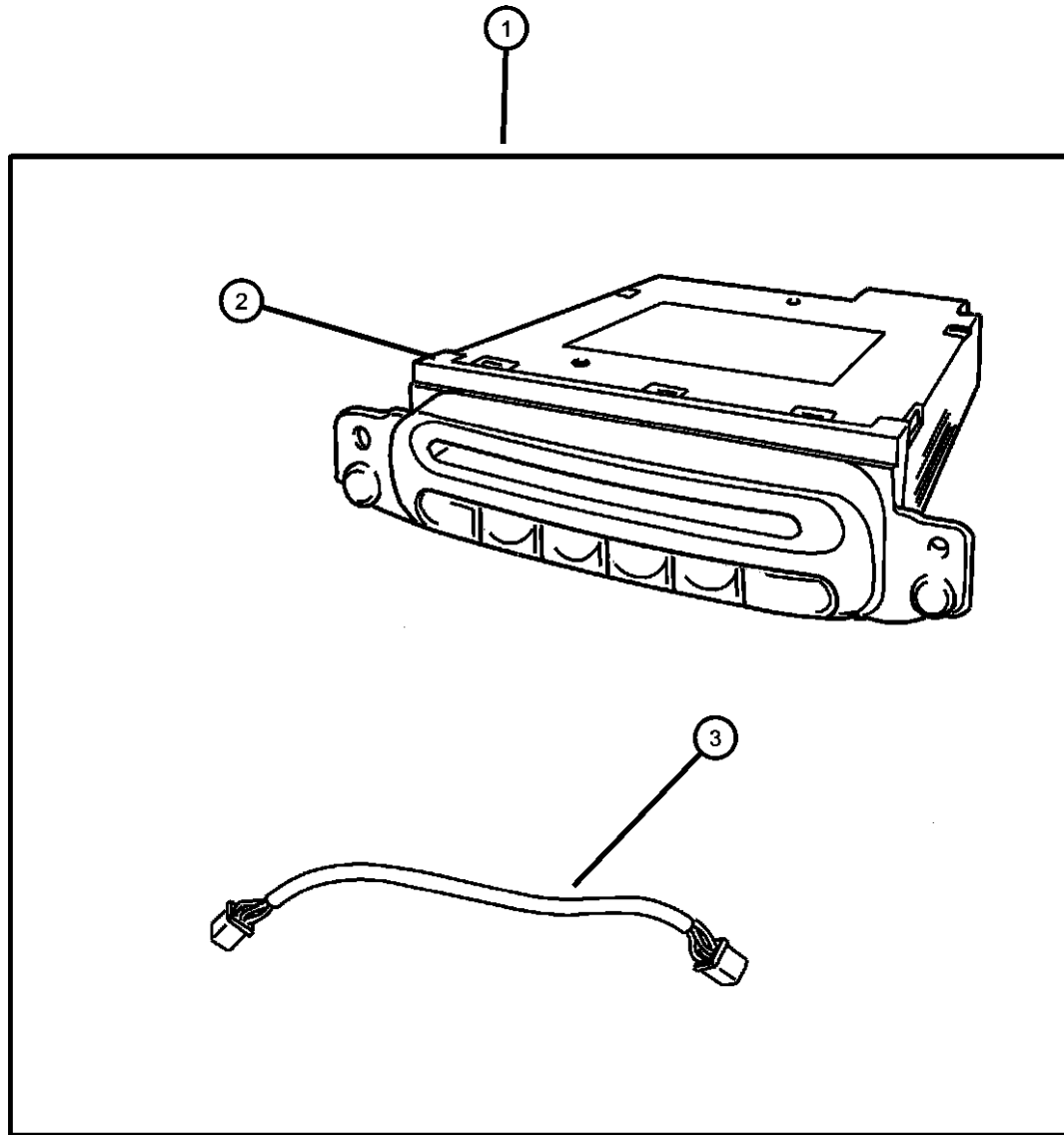
Illustration Title	Group-Fig. No.
Audio & Electronics	
CD Changer - 6 Disc	Fig. 1 - 110
Receiver Kit - Satellite	Fig. 1 - 115
Install Kit - Satellite Receiver	Fig. 1 - 120
Install Kit - Satellite Receiver	Fig. 1 - 125
Navigation Kit	Fig. 1 - 130
Carriers & Cargo Hauling	
Rack Kit - Removable - Roof	Fig. 1 - 205
Bike Carrier - Hitch	Fig. 1 - 210
Bike Carrier Roof - Fork Mount	Fig. 1 - 215
Bike Carrier Roof - Upright Style	Fig. 1 - 220
Carrier Kit - Luggage - Roof	Fig. 1 - 225
Ski Carrier - Roof	Fig. 1 - 230
Carrier Kit - Watersports - Roof	Fig. 1 - 235
Carrier Kit - Canoe - Roof	Fig. 1 - 236
Trailer Tow	Fig. 1 - 240
Wiring Package - Trailer Tow	Fig. 1 - 245
Driving Convenience	
Hands Free Kit/Cellular Phone Blue Tooth	Fig. 1 - 320
Exterior Appearance	
Air Dam Kit	Fig. 1 - 410
Fog Lights & Electrical	
Hands- Free Kit/ Cellular Phone - Blue Toot	Fig. 1 - 620
Security	
Alarm EVS Base System	Fig. 1 - 910

**CD Changer - 6 Disc
Figure 1-110**

ITEM	PART NUMBER	QTY	LINE	SERIES	BODY	ENGINE	TRANS	TRIM	DESCRIPTION
------	-------------	-----	------	--------	------	--------	-------	------	-------------

Note: For Warranty Repair On Item 2, Order Through [GPOP] Function 11, Using Z Prefix

1	82207873	1							PLAYER KIT, CD Changer - 6 Disc
2	56038659AF	1							CHANGER, CD 6 Disc
3	04671841AA	1							WIRING, Compact Disc Changer
-4	06032723	2							SCREW, Self Tapping, M4.2x1.69x19.05, Changer Mounting



NEON (US) SX 2.0 (CANADA) (PL)

SERIES	LINE
H = HIGHLINE	C = CHRYSLER
L = LOWLINE	Z = CHRYSLER (RHD)
P = PREMIUM	D = DODGE
S = SPORT	
X = SPECIAL	
E = ACR	

BODY
41 = 4 Door (104 WB)

ENGINE
ECB = Engine - 2.0L 4 Cyl SOHC 16V SMPI
ECH = Engine - 2.0L 4 Cyl SOHC 16V Hi Perf
EJD = Engine - 1.6L 4 Cyl SOHC 16V SMPI
EDV = Engine - 2.4L 4 Cyl. 16V DOHC Flex Fuel

TRANSMISSION
DD5 = Transmission - 5-Speed Manual
DDR = Transmission - 5-Speed Manual
DGL = Transmission - 4-Spd. Automatic
DG0 = All Automatic Transmissions
DBB = All Manual Transmissions

AR = use ase required - = Non illustrated part

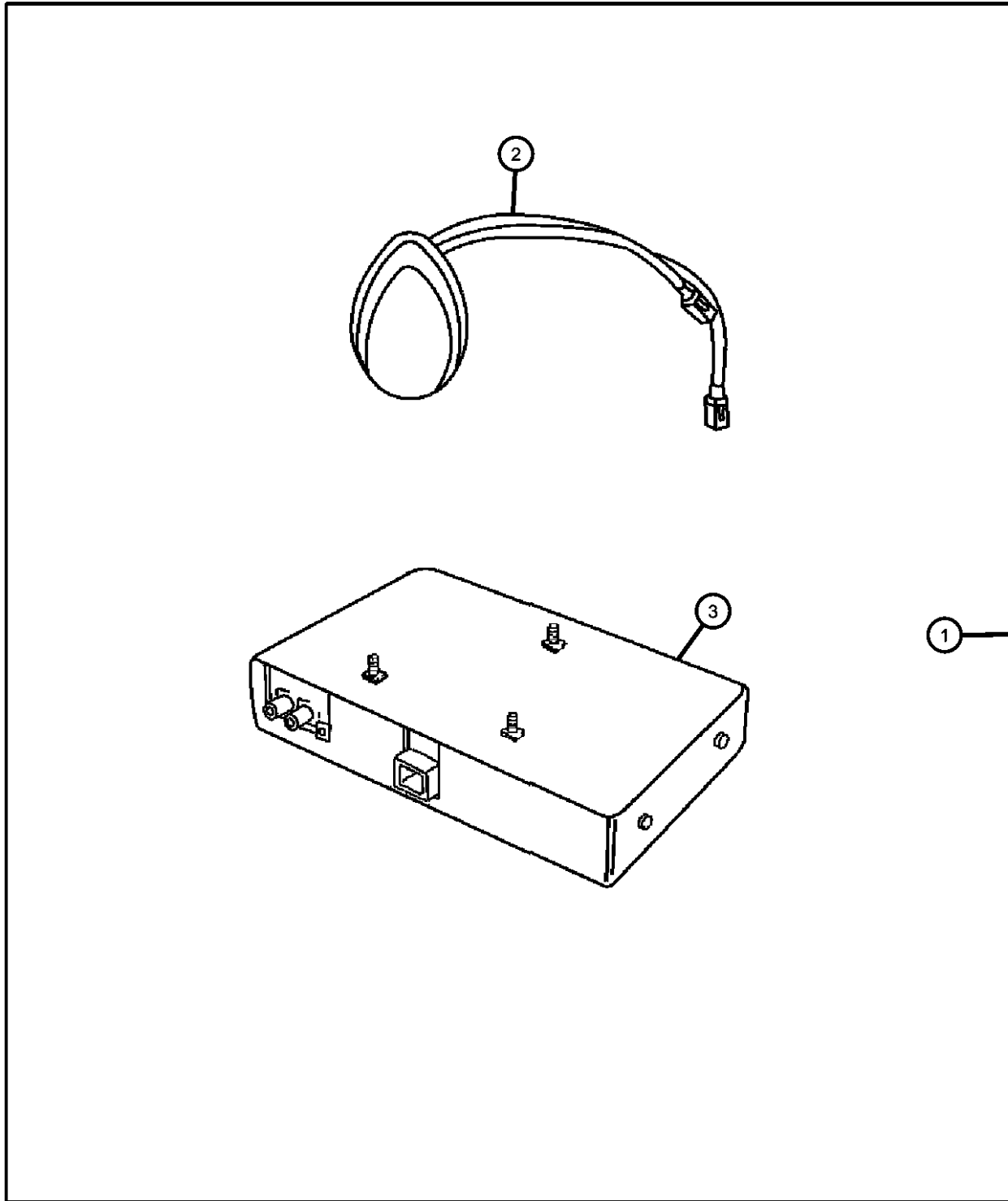
2004 PL

Receiver Kit - Satellite
Figure 1-115

ITEM	PART NUMBER	QTY	LINE	SERIES	BODY	ENGINE	TRANS	TRIM	DESCRIPTION
------	-------------	-----	------	--------	------	--------	-------	------	-------------

Note; For Warranty Repair On Item 3, Order Through [GPOP] Function 11, Using Z Prefix

1	82206488AA	1							RECEIVER, Satellite
2	05066205AC	1							ANTENNA, Satellite
3	05064020AG	1							RECEIVER, Satellite



NEON (US) SX 2.0 (CANADA) (PL)

SERIES LINE
H = HIGHLINE C = CHRYSLER
L = LOWLINE Z = CHRYSLER (RHD)
P = PREMIUM D = DODGE
S = SPORT
X = SPECIAL
E = ACR

BODY
41 = 4 Door (104 WB)

ENGINE
ECB = Engine - 2.0L 4 Cyl SOHC 16V SMPI
ECH = Engine - 2.0L 4 Cyl SOHC 16V Hi Perf
EJD = Engine - 1.6L 4 Cyl SOHC 16V SMPI
EDV = Engine - 2.4L 4 Cyl. 16V DOHC Flex Fuel

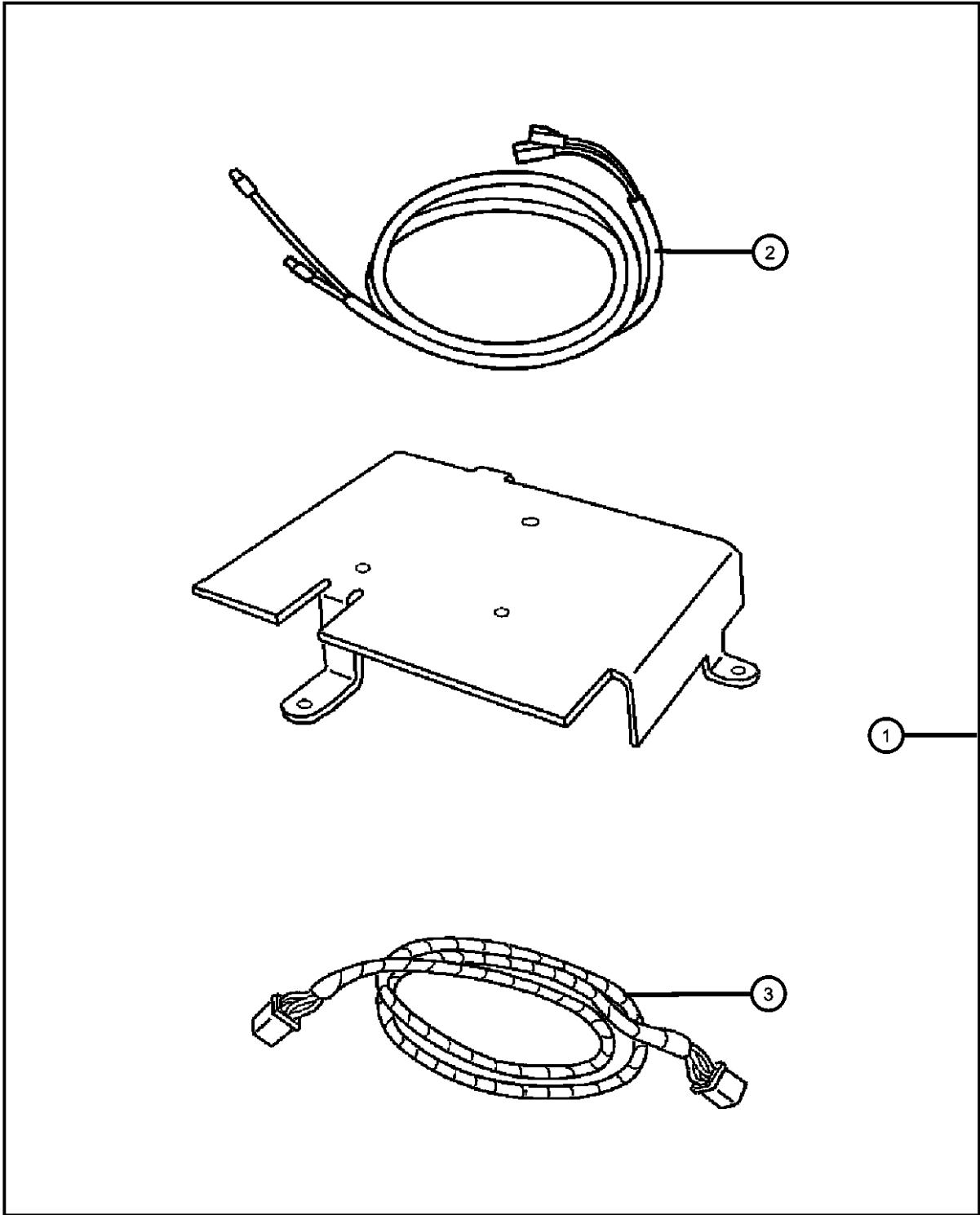
TRANSMISSION
DD5 = Transmission - 5-Speed Manual
DDR = Transmission - 5-Speed Manual
DGL = Transmission - 4-Spd. Automatic
DG0 = All Automatic Transmissions
DBB = All Manual Transmissions

AR = use ase required - = Non illustrated part

2004 PL

Install Kit - Satellite Receiver
Figure 1-120

ITEM	PART NUMBER	QTY	LINE	SERIES	BODY	ENGINE	TRANS	TRIM	DESCRIPTION
1	82207886	1							INSTALL KIT, Satelite Receiver
2	05066207AA	1							CABLE, Antenna
3	05066203AA	1							WIRING, Rcvr to Radio



NEON (US) SX 2.0 (CANADA) (PL)

SERIES LINE
H = HIGHLINE C = CHRYSLER
L = LOWLINE Z = CHRYSLER (RHD)
P = PREMIUM D = DODGE
S = SPORT
X = SPECIAL
E = ACR

BODY
41 = 4 Door (104 WB)

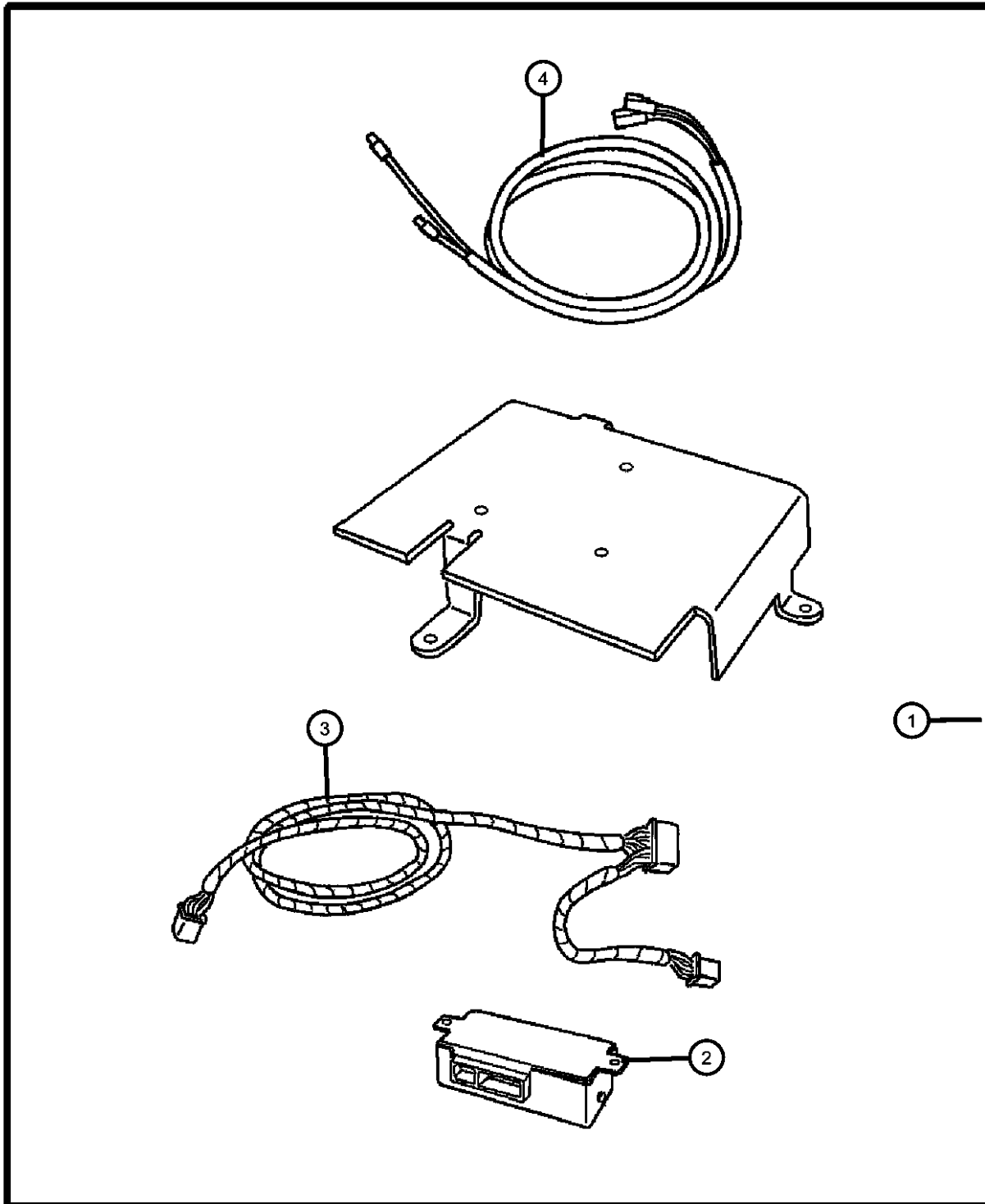
ENGINE
ECB = Engine - 2.0L 4 Cyl SOHC 16V SMPI
ECH = Engine - 2.0L 4 Cyl SOHC 16V Hi Perf
EJD = Engine - 1.6L 4 Cyl SOHC 16V SMPI
EDV = Engine - 2.4L 4 Cyl. 16V DOHC Flex Fuel

TRANSMISSION
DD5 = Transmission - 5-Speed Manual
DDR = Transmission - 5-Speed Manual
DGL = Transmission - 4-Spd. Automatic
DG0 = All Automatic Transmissions
DBB = All Manual Transmissions

AR = use ase required - = Non illustrated part

2004 PL

**Install Kit - Satellite Receiver
Figure 1-125**



ITEM	PART NUMBER	QTY	LINE	SERIES	BODY	ENGINE	TRANS	TRIM	DESCRIPTION
1	82208117	1							INSTALL KIT, Satelite Receiver
2	05059112AC	1							MODULE, Radio Control
3	05086643AA	1							WIRING, Rcvr to Radio
4	05066207AA	1							CABLE, Antenna

NEON (US) SX 2.0 (CANADA) (PL)

SERIES LINE
H = HIGHLINE C = CHRYSLER
L = LOWLINE Z = CHRYSLER (RHD)
P = PREMIUM D = DODGE
S = SPORT
X = SPECIAL
E = ACR

BODY
41 = 4 Door (104 WB)

ENGINE
ECB = Engine - 2.0L 4 Cyl SOHC 16V SMPI
ECH = Engine - 2.0L 4 Cyl SOHC 16V Hi Perf
EJD = Engine - 1.6L 4 Cyl SOHC 16V SMPI
EDV = Engine - 2.4L 4 Cyl. 16V DOHC Flex Fuel

TRANSMISSION
DD5 = Transmission - 5-Speed Manual
DDR = Transmission - 5-Speed Manual
DGL = Transmission - 4-Spd. Automatic
DG0 = All Automatic Transmissions
DBB = All Manual Transmissions

AR = use ase required - = Non illustrated part

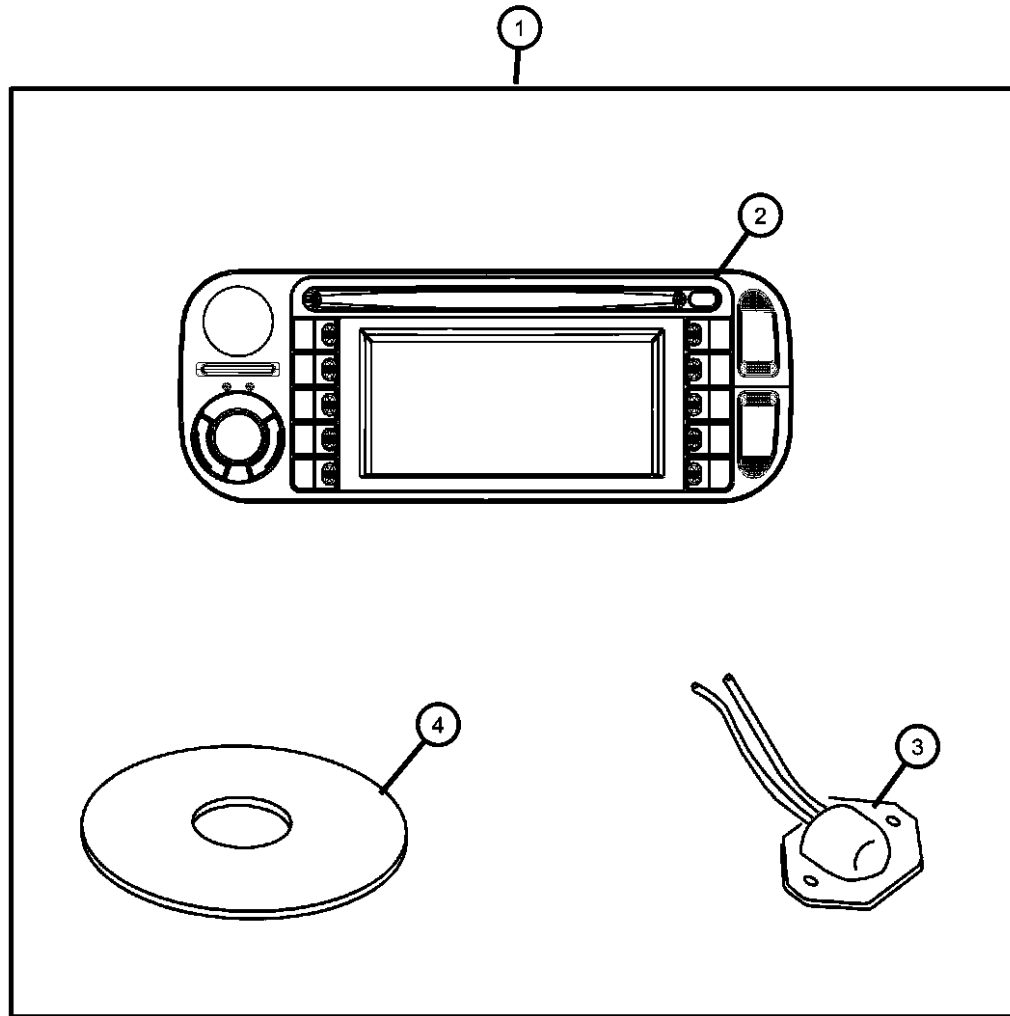
2004 PL

Navigation Kit
Figure 1-130

ITEM	PART NUMBER	QTY	LINE	SERIES	BODY	ENGINE	TRANS	TRIM	DESCRIPTION
------	-------------	-----	------	--------	------	--------	-------	------	-------------

Note: For Warranty Repair On Item 2, Order Through [GPOP] Function 11, Using Z Prefix

1	82208715	1							RADIO, AM/FM CD W/NAV/DVD & CD-CTRL
2	56038629AE	1							RADIO, AM/FM CD W/NAV/DVD & CD-CTRL
3	56038630AA	1							ANTENNA, GPS
4	56038642AD	1							DVD, Geographic Database



NEON (US) SX 2.0 (CANADA) (PL)

SERIES LINE
 H = HIGHLINE C = CHRYSLER
 L = LOWLINE Z = CHRYSLER (RHD)
 P = PREMIUM D = DODGE
 S = SPORT
 X = SPECIAL
 E = ACR

BODY
 41 = 4 Door (104 WB)

ENGINE
 ECB = Engine - 2.0L 4 Cyl SOHC 16V SMPI
 ECH = Engine - 2.0L 4 Cyl SOHC 16V Hi Perf
 EJD = Engine - 1.6L 4 Cyl SOHC 16V SMPI
 EDV = Engine - 2.4L 4 Cyl. 16V DOHC Flex Fuel

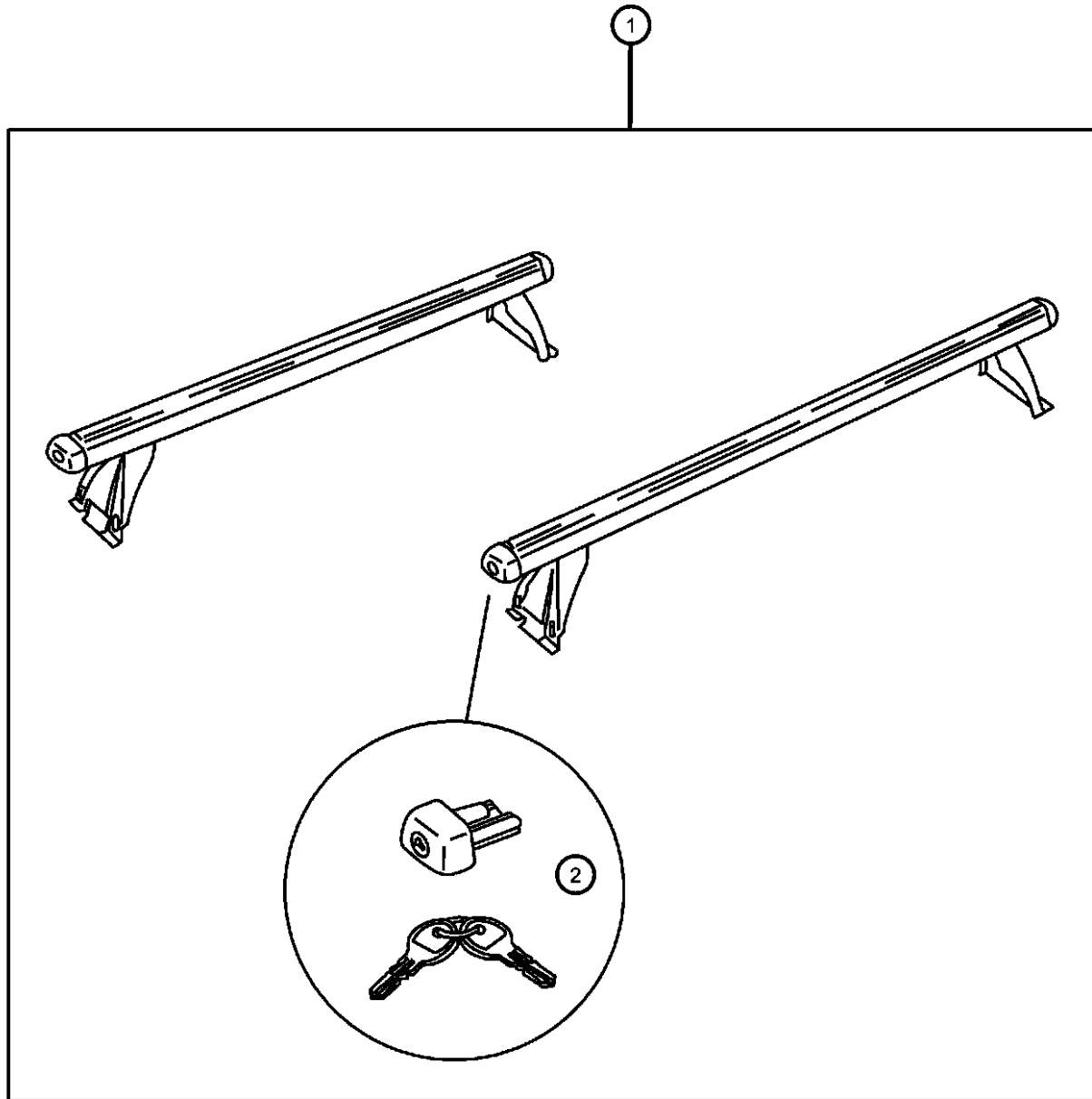
TRANSMISSION
 DD5 = Transmission - 5-Speed Manual
 DDR = Transmission - 5-Speed Manual
 DGL = Transmission - 4-Spd. Automatic
 DG0 = All Automatic Transmissions
 DBB = All Manual Transmissions

AR = use ase required - = Non illustrated part

2004 PL

Rack Kit - Removable - Roof
Figure 1-205

ITEM	PART NUMBER	QTY	LINE	SERIES	BODY	ENGINE	TRANS	TRIM	DESCRIPTION
1	82208024	1							RACK KIT, Multipurpose
2	05072276AA	1							END CAP, Roof Rack Side Rail
-3	05066632AA	1							TOOL, Screw Driver



NEON (US) SX 2.0 (CANADA) (PL)

SERIES LINE
 H = HIGHLINE C = CHRYSLER
 L = LOWLINE Z = CHRYSLER (RHD)
 P = PREMIUM D = DODGE
 S = SPORT
 X = SPECIAL
 E = ACR

BODY
 41 = 4 Door (104 WB)

ENGINE
 ECB = Engine - 2.0L 4 Cyl
 SOHC 16V SMPI
 ECH = Engine - 2.0L 4 Cyl
 SOHC 16V Hi Perf
 EJD = Engine - 1.6L 4 Cyl
 SOHC 16V SMPI
 EDV = Engine - 2.4L 4 Cyl.
 16V DOHC Flex Fuel

TRANSMISSION
 DD5 = Transmission - 5-Speed Manual
 DDR = Transmission - 5-Speed
 Manual
 DGL = Transmission - 4-Spd.
 Automatic
 DG0 = All Automatic Transmissions
 DBB = All Manual Transmissions

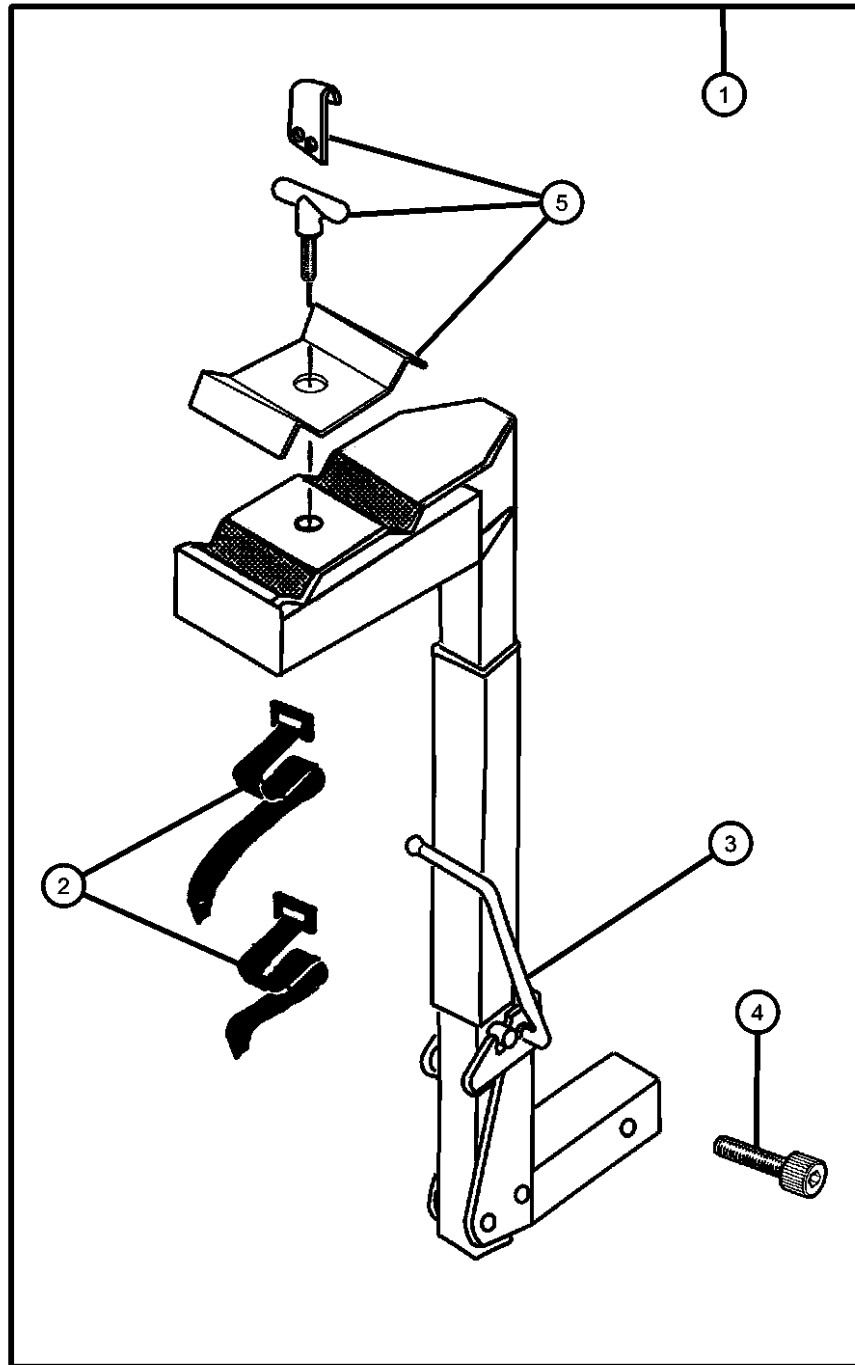
AR = use ase required - = Non illustrated part

2004 PL

Bike Carrier - Hitch
Figure 1-210

ITEM	PART NUMBER	QTY	LINE	SERIES	BODY	ENGINE	TRANS	TRIM	DESCRIPTION
------	-------------	-----	------	--------	------	--------	-------	------	-------------

NOTE: Folds down for access to rear deck, has anti theft bolts.



1	82204452	1	D, P		41				CARRIER KIT, Bike
2	04762880	1	D, P		41				STRAP KIT, Velcro
3	05016775AA	1	D, P		41				STRAP KIT, Bike Carrier Latch
4	05016774AA	1	D, P		41				BOLT KIT, Security
5	05018825AA	1	D, P		41				HARDWARE KIT, Bike Carrier

NEON (US) SX 2.0 (CANADA) (PL)

SERIES LINE
H = HIGHLINE C = CHRYSLER
L = LOWLINE Z = CHRYSLER (RHD)
P = PREMIUM D = DODGE
S = SPORT
X = SPECIAL
E = ACR

BODY
41 = 4 Door (104 WB)

ENGINE
ECB = Engine - 2.0L 4 Cyl
SOHC 16V SMPI
ECH = Engine - 2.0L 4 Cyl
SOHC 16V Hi Perf
EJD = Engine - 1.6L 4 Cyl
SOHC 16V SMPI
EDV = Engine - 2.4L 4 Cyl.
16V DOHC Flex Fuel

TRANSMISSION
DD5 = Transmission - 5-Speed Manual
DDR = Transmission - 5-Speed
Manual
DGL = Transmission - 4-Spd.
Automatic
DG0 = All Automatic Transmissions
DBB = All Manual Transmissions

AR = use ase required - = Non illustrated part

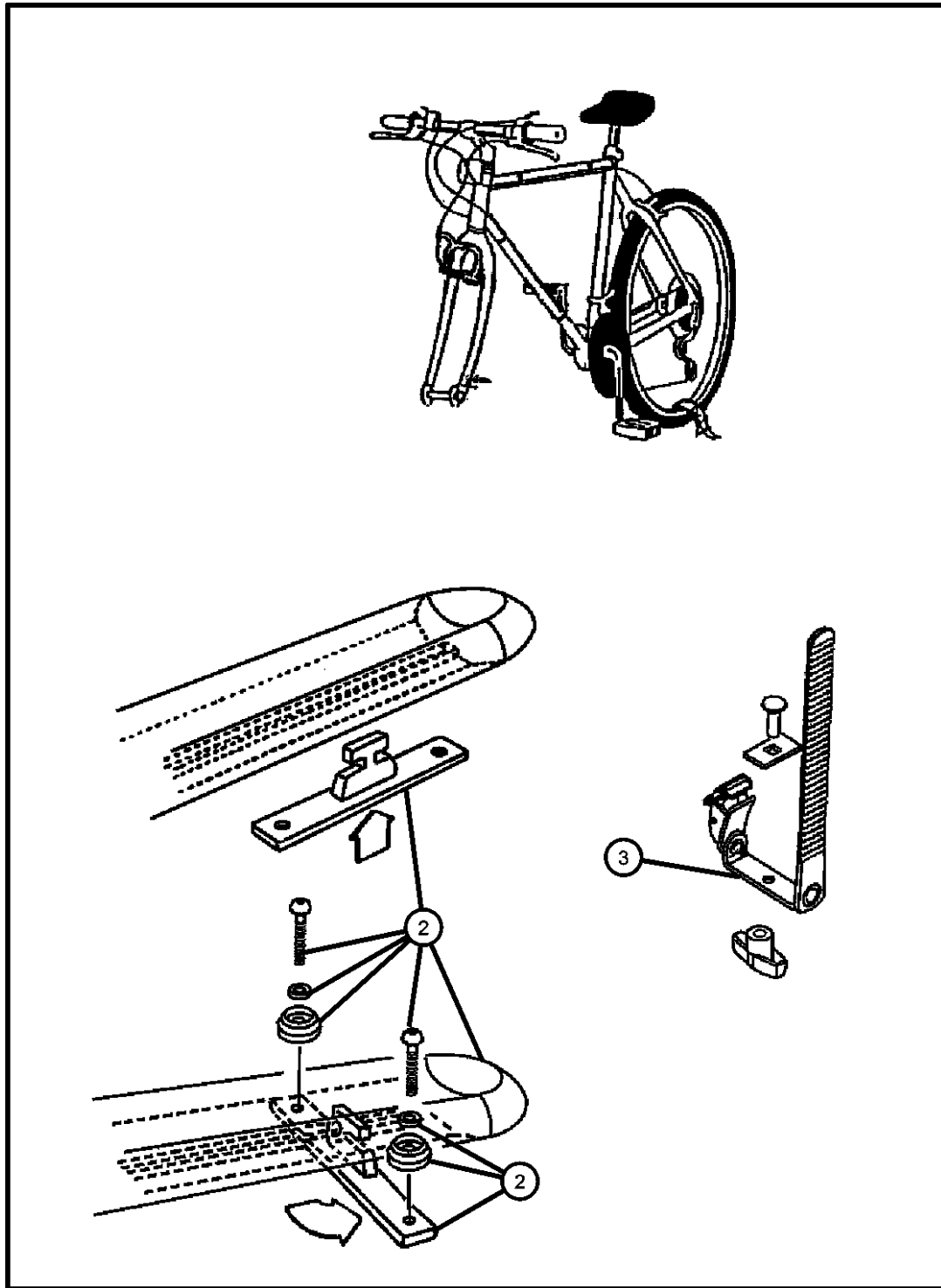
2004 PL

Bike Carrier Roof - Fork Mount
Figure 1-215

ITEM	PART NUMBER	QTY	LINE	SERIES	BODY	ENGINE	TRANS	TRIM	DESCRIPTION
------	-------------	-----	------	--------	------	--------	-------	------	-------------

Note; Removable Roof Rack Required

1	82207943	1	D, P		41				CARRIER KIT, Bike
2	05093779AA	1	D, P		41				HARDWARE KIT, Accessory
3	05114532AA	1	D, P		41				STRAP, Cargo Tie Down



NEON (US) SX 2.0 (CANADA) (PL)

SERIES LINE
 H = HIGHLINE C = CHRYSLER
 L = LOWLINE Z = CHRYSLER (RHD)
 P = PREMIUM D = DODGE
 S = SPORT
 X = SPECIAL
 E = ACR

BODY
 41 = 4 Door (104 WB)

ENGINE
 ECB = Engine - 2.0L 4 Cyl
 SOHC 16V SMPI
 ECH = Engine - 2.0L 4 Cyl
 SOHC 16V Hi Perf
 EJD = Engine - 1.6L 4 Cyl
 SOHC 16V SMPI
 EDV = Engine - 2.4L 4 Cyl.
 16V DOHC Flex Fuel

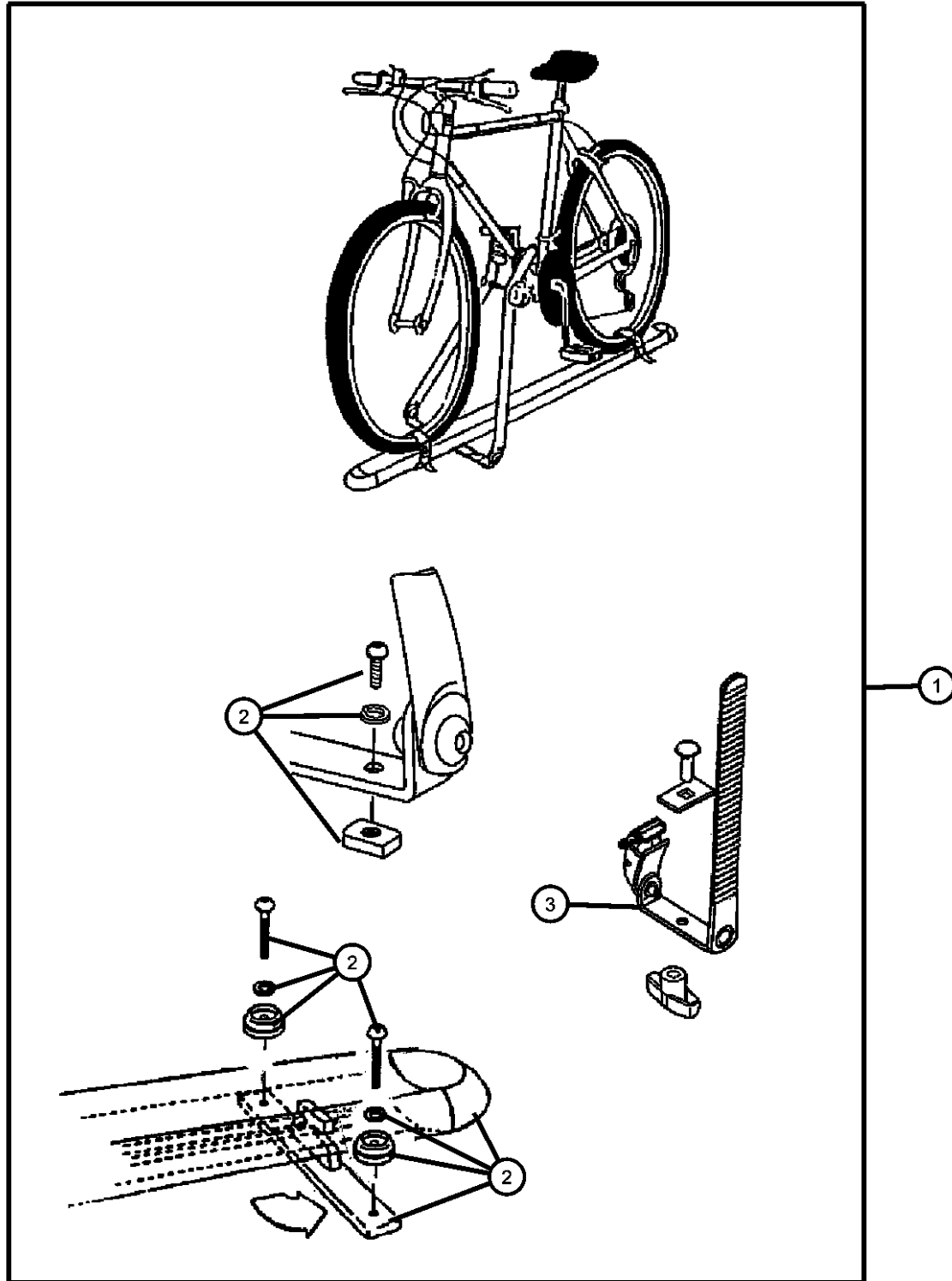
TRANSMISSION
 DD5 = Transmission - 5-Speed Manual
 DDR = Transmission - 5-Speed
 Manual
 DGL = Transmission - 4-Spd.
 Automatic
 DG0 = All Automatic Transmissions
 DBB = All Manual Transmissions

AR = use ase required - = Non illustrated part

2004 PL

**Bike Carrier Roof - Upright Style
Figure 1-220**

ITEM	PART NUMBER	QTY	LINE	SERIES	BODY	ENGINE	TRANS	TRIM	DESCRIPTION
------	-------------	-----	------	--------	------	--------	-------	------	-------------



Note; Removable Roof Rack Required

1	82207942	1							CARRIER KIT, Bike
2	05093779AA	1							HARDWARE KIT, Accessory
3	05114532AA	1							STRAP, Cargo Tie Down

NEON (US) SX 2.0 (CANADA) (PL)

SERIES LINE
 H = HIGHLINE C = CHRYSLER
 L = LOWLINE Z = CHRYSLER (RHD)
 P = PREMIUM D = DODGE
 S = SPORT
 X = SPECIAL
 E = ACR

BODY
 41 = 4 Door (104 WB)

ENGINE
 ECB = Engine - 2.0L 4 Cyl
 SOHC 16V SMPI
 ECH = Engine - 2.0L 4 Cyl
 SOHC 16V Hi Perf
 EJD = Engine - 1.6L 4 Cyl
 SOHC 16V SMPI
 EDV = Engine - 2.4L 4 Cyl.
 16V DOHC Flex Fuel

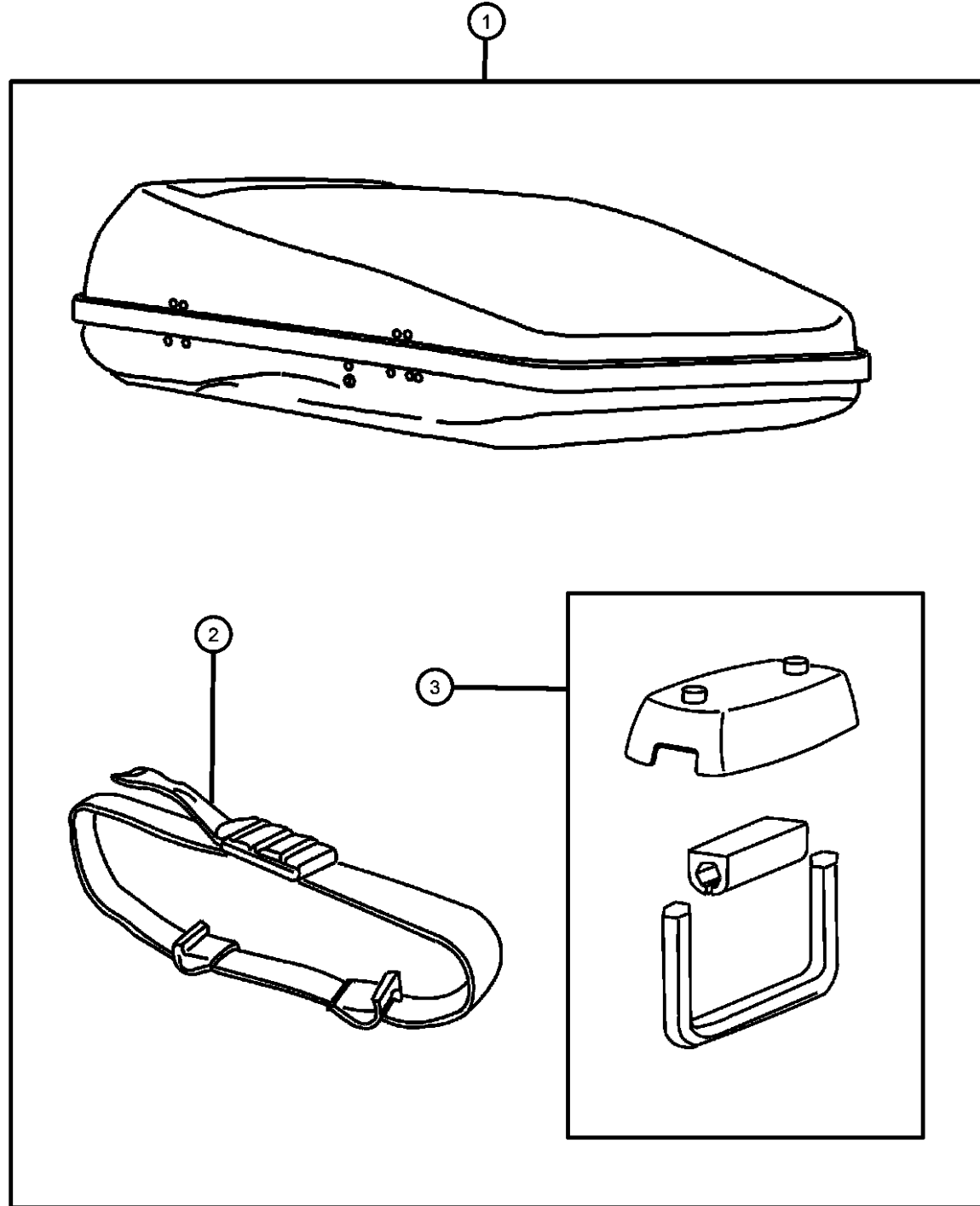
TRANSMISSION
 DD5 = Transmission - 5-Speed Manual
 DDR = Transmission - 5-Speed
 Manual
 DGL = Transmission - 4-Spd.
 Automatic
 DG0 = All Automatic Transmissions
 DBB = All Manual Transmissions

AR = use ase required - = Non illustrated part

2004 PL

Carrier Kit - Luggage - Roof
Figure 1-225

ITEM	PART NUMBER	QTY	LINE	SERIES	BODY	ENGINE	TRANS	TRIM	DESCRIPTION
------	-------------	-----	------	--------	------	--------	-------	------	-------------



Note; Removable Roof Rack Required

1	82207353	1							CARRIER KIT, Luggage, 31 Inch x 71 Inch
2	05086160AA	1							STRAP, Cargo Tie Down
3	05086159AA	1							HARDWARE KIT

NEON (US) SX 2.0 (CANADA) (PL)

SERIES LINE
 H = HIGHLINE C = CHRYSLER
 L = LOWLINE Z = CHRYSLER (RHD)
 P = PREMIUM D = DODGE
 S = SPORT
 X = SPECIAL
 E = ACR

BODY
 41 = 4 Door (104 WB)

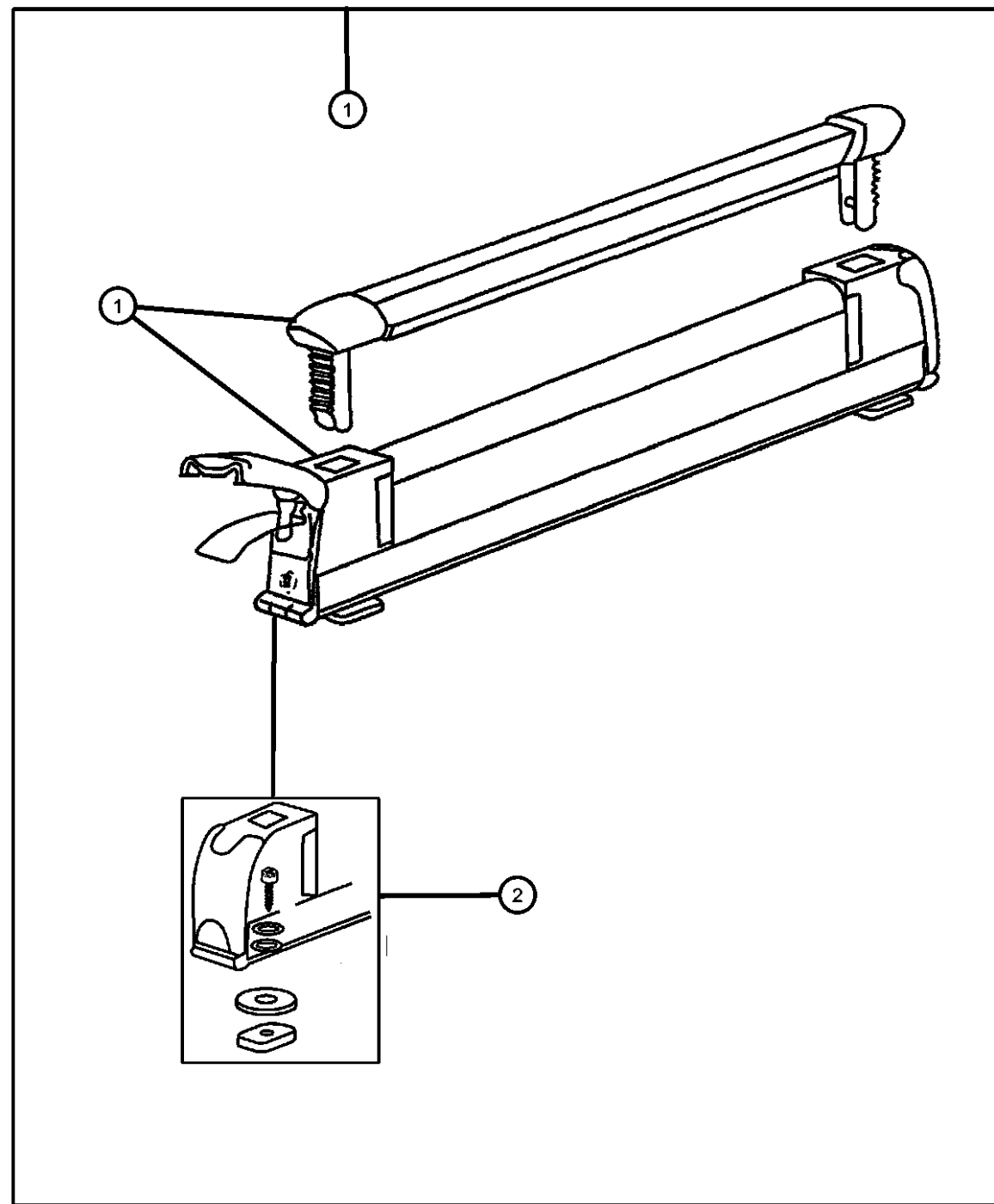
ENGINE
 ECB = Engine - 2.0L 4 Cyl SOHC 16V SMPI
 ECH = Engine - 2.0L 4 Cyl SOHC 16V Hi Perf
 EJD = Engine - 1.6L 4 Cyl SOHC 16V SMPI
 EDV = Engine - 2.4L 4 Cyl. 16V DOHC Flex Fuel

TRANSMISSION
 DD5 = Transmission - 5-Speed Manual
 DDR = Transmission - 5-Speed Manual
 DGL = Transmission - 4-Spd. Automatic
 DG0 = All Automatic Transmissions
 DBB = All Manual Transmissions

AR = use ase required - = Non illustrated part

2004 PL

Ski Carrier - Roof
Figure 1-230



ITEM	PART NUMBER	QTY	LINE	SERIES	BODY	ENGINE	TRANS	TRIM	DESCRIPTION
------	-------------	-----	------	--------	------	--------	-------	------	-------------

Note; Removable Roof Rack Required

1	82207308	1							CARRIER KIT, Ski
	82207312	1							6 Pair or 4 Snowboards
	05086158AA	1							3 Pair or 2 Snowboards
2	05066632AA	1							HARDWARE KIT, Accessory, Contains: 4 - 25MM Screws, 4 - 20M Screws, 4 - 16MM Screws, 4 - Lock Washers, 4 - Flat Washers, 4 - T Plates, 4 - Rubber Washers TOOL, Screw Driver

NEON (US) SX 2.0 (CANADA) (PL)

SERIES	LINE
H = HIGHLINE	C = CHRYSLER
L = LOWLINE	Z = CHRYSLER (RHD)
P = PREMIUM	D = DODGE
S = SPORT	
X = SPECIAL	
E = ACR	

BODY
41 = 4 Door (104 WB)

ENGINE
ECB = Engine - 2.0L 4 Cyl
SOHC 16V SMPI
ECH = Engine - 2.0L 4 Cyl
SOHC 16V Hi Perf
EJD = Engine - 1.6L 4 Cyl
SOHC 16V SMPI
EDV = Engine - 2.4L 4 Cyl.
16V DOHC Flex Fuel

TRANSMISSION
DD5 = Transmission - 5-Speed Manual
DDR = Transmission - 5-Speed
Manual
DGL = Transmission - 4-Spd.
Automatic
DG0 = All Automatic Transmissions
DBB = All Manual Transmissions

AR = use ase required - = Non illustrated part

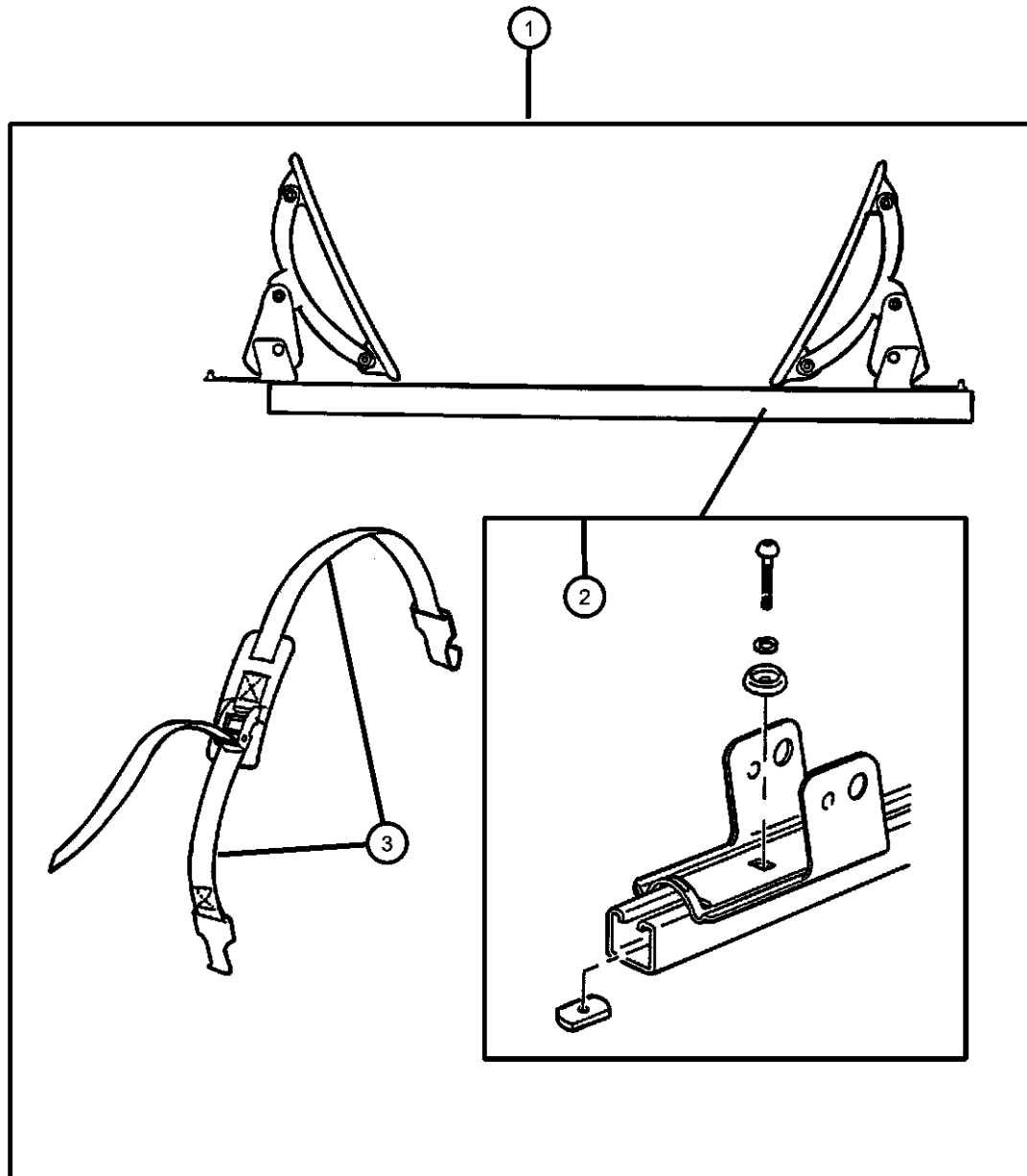
2004 PL

Carrier Kit - Watersports - Roof
Figure 1-235

ITEM	PART NUMBER	QTY	LINE	SERIES	BODY	ENGINE	TRANS	TRIM	DESCRIPTION
------	-------------	-----	------	--------	------	--------	-------	------	-------------

Note; Removable Roof Rack Required

1	82205416	1			41				CARRIER KIT, Water Sports, Kayak, Surfboard, Sailboard
2	05016389AA	1			41				HARDWARE KIT, Accessory
3	05016511AA	1			41				STRAP, Cargo Tie Down
-4	05066632AA	1							TOOL, Screw Driver



NEON (US) SX 2.0 (CANADA) (PL)

SERIES LINE
 H = HIGHLINE C = CHRYSLER
 L = LOWLINE Z = CHRYSLER (RHD)
 P = PREMIUM D = DODGE
 S = SPORT
 X = SPECIAL
 E = ACR

BODY
 41 = 4 Door (104 WB)

ENGINE
 ECB = Engine - 2.0L 4 Cyl SOHC 16V SMPI
 ECH = Engine - 2.0L 4 Cyl SOHC 16V Hi Perf
 EJD = Engine - 1.6L 4 Cyl SOHC 16V SMPI
 EDV = Engine - 2.4L 4 Cyl. 16V DOHC Flex Fuel

TRANSMISSION
 DD5 = Transmission - 5-Speed Manual
 DDR = Transmission - 5-Speed Manual
 DGL = Transmission - 4-Spd. Automatic
 DG0 = All Automatic Transmissions
 DBB = All Manual Transmissions

AR = use ase required - = Non illustrated part

2004 PL

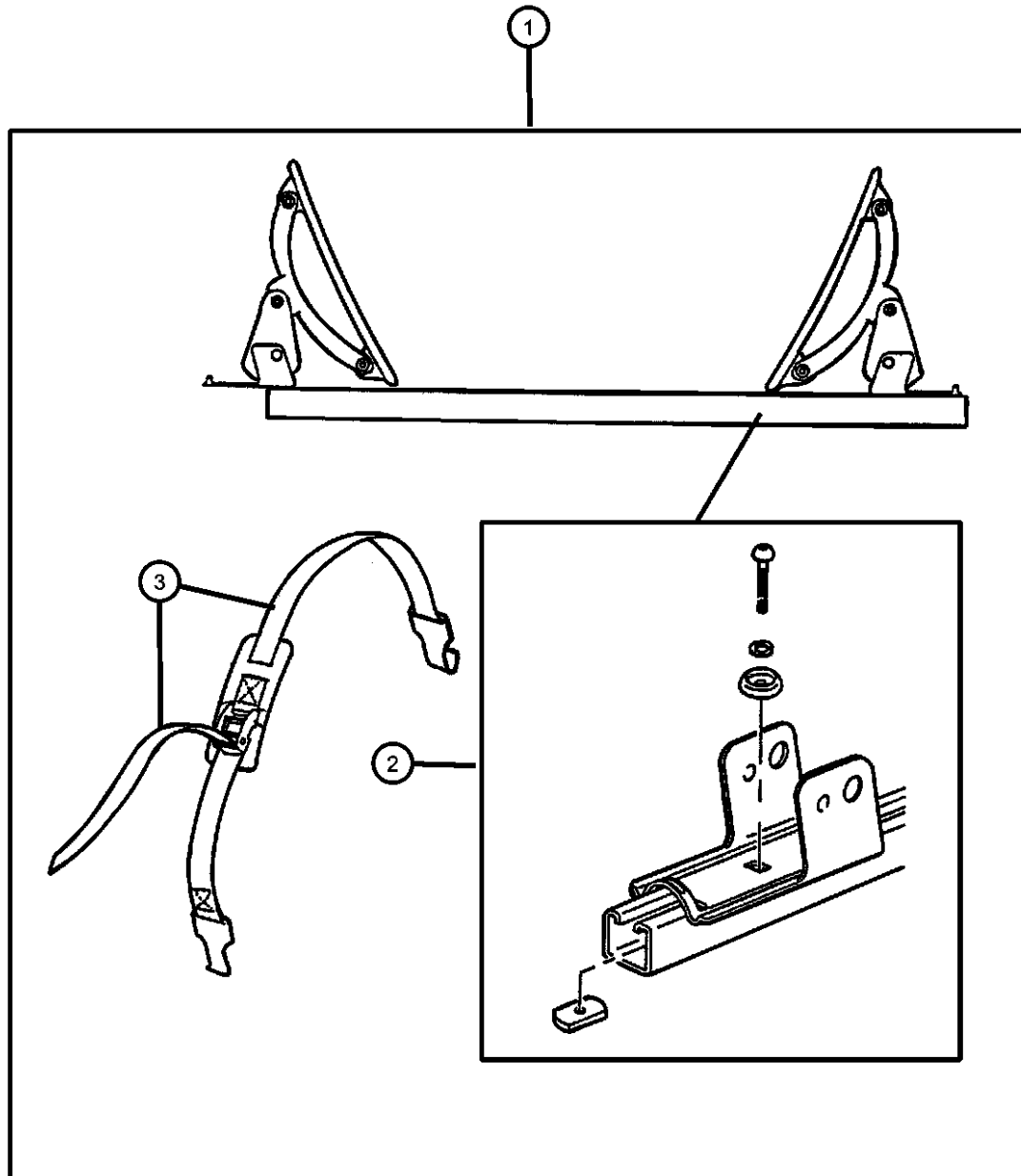
Carrier Kit -Canoe - Roof
Figure 1-236

ITEM	PART NUMBER	QTY	LINE	SERIES	BODY	ENGINE	TRANS	TRIM	DESCRIPTION
------	-------------	-----	------	--------	------	--------	-------	------	-------------

Note; Removable Roof Rack Required

1	82204700	1							CARRIER KIT, Canoe
2	05016389AA	1							HARDWARE KIT, Accessory
3	05016511AA	1							STRAP, Cargo Tie Down

CARRIER KIT, Canoe
HARDWARE KIT, Accessory
STRAP, Cargo Tie Down



NEON (US) SX 2.0 (CANADA) (PL)

SERIES LINE
H = HIGHLINE C = CHRYSLER
L = LOWLINE Z = CHRYSLER (RHD)
P = PREMIUM D = DODGE
S = SPORT
X = SPECIAL
E = ACR

BODY
41 = 4 Door (104 WB)

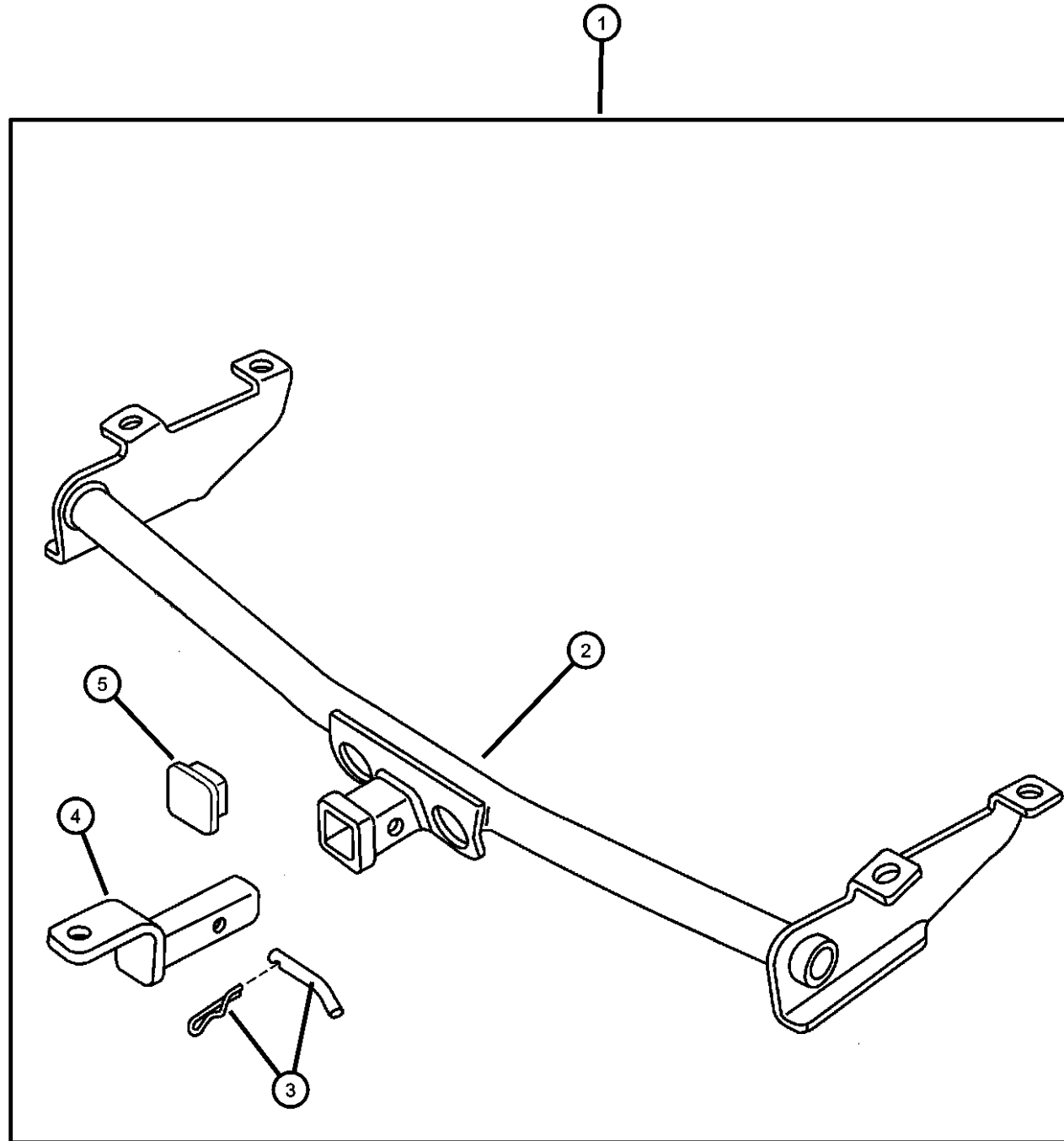
ENGINE
ECB = Engine - 2.0L 4 Cyl SOHC 16V SMPI
ECH = Engine - 2.0L 4 Cyl SOHC 16V Hi Perf
EJD = Engine - 1.6L 4 Cyl SOHC 16V SMPI
EDV = Engine - 2.4L 4 Cyl. 16V DOHC Flex Fuel

TRANSMISSION
DD5 = Transmission - 5-Speed Manual
DDR = Transmission - 5-Speed Manual
DGL = Transmission - 4-Spd. Automatic
DG0 = All Automatic Transmissions
DBB = All Manual Transmissions

AR = use ase required - = Non illustrated part

2004 PL

Trailer Tow
Figure 1-240



ITEM	PART NUMBER	QTY	LINE	SERIES	BODY	ENGINE	TRANS	TRIM	DESCRIPTION
1	82205890	1							RECEIVER KIT, Trailer Tow
2	82205890	1							HITCH, Trailer, (NOT SERVICED)
3	05016666AA	1							PIN, Hitch
4	05016666AA	1							DRAWBAR, Attachment, Serviced in Kit, (NOT SERVICED)
5	05016666AA	1							COVER KIT, Trailer Tow, Serviced in Kit, (NOT SERVICED)

NEON (US) SX 2.0 (CANADA) (PL)

SERIES LINE
 H = HIGHLINE C = CHRYSLER
 L = LOWLINE Z = CHRYSLER (RHD)
 P = PREMIUM D = DODGE
 S = SPORT
 X = SPECIAL
 E = ACR

BODY
 41 = 4 Door (104 WB)

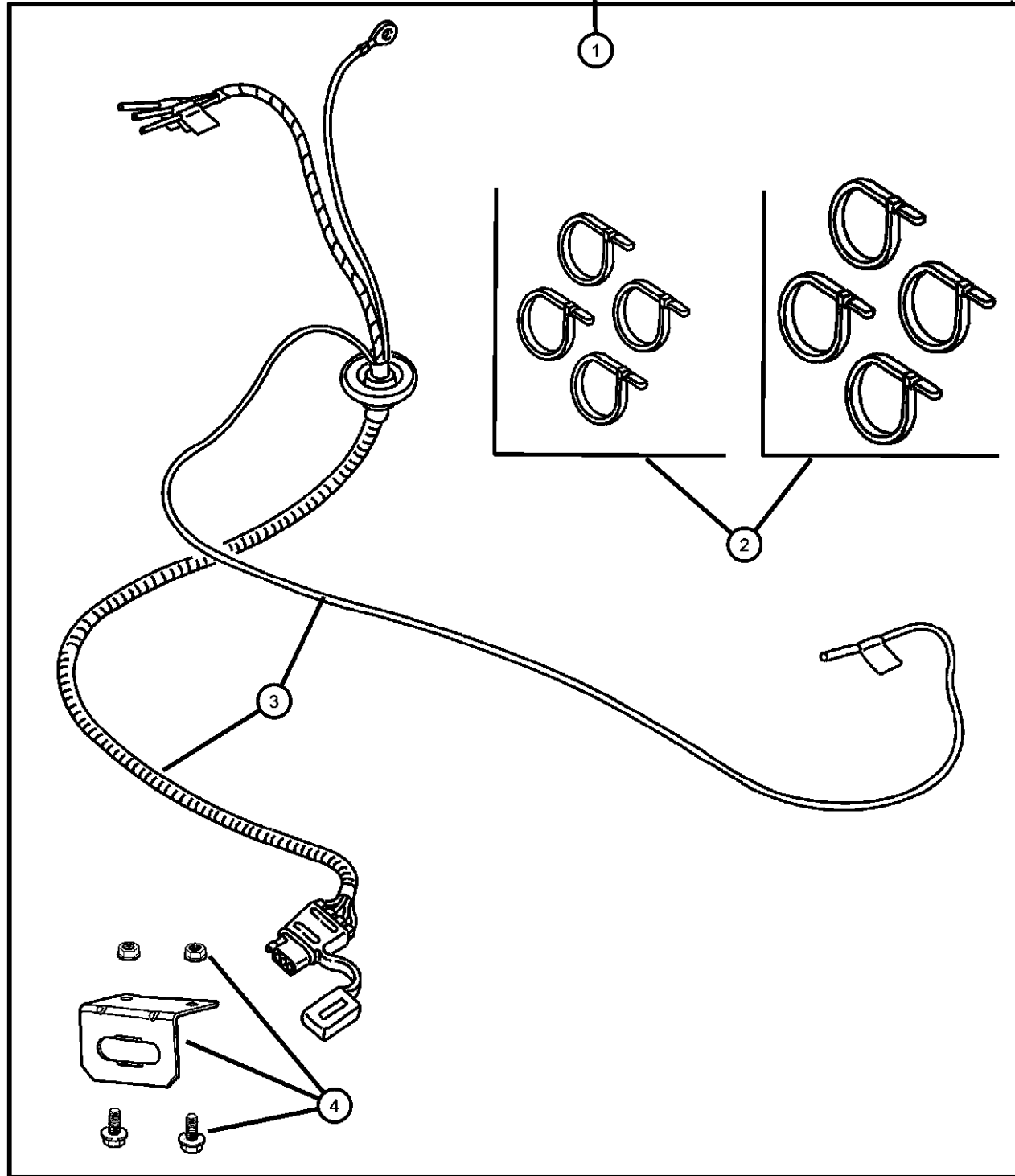
ENGINE
 ECB = Engine - 2.0L 4 Cyl SOHC 16V SMPI
 ECH = Engine - 2.0L 4 Cyl SOHC 16V Hi Perf
 EJD = Engine - 1.6L 4 Cyl SOHC 16V SMPI
 EDV = Engine - 2.4L 4 Cyl. 16V DOHC Flex Fuel

TRANSMISSION
 DD5 = Transmission - 5-Speed Manual
 DDR = Transmission - 5-Speed Manual
 DGL = Transmission - 4-Spd. Automatic
 DG0 = All Automatic Transmissions
 DBB = All Manual Transmissions

AR = use ase required - = Non illustrated part

2004 PL

**Wiring Package - Trailer Tow
Figure 1-245**



ITEM	PART NUMBER	QTY	LINE	SERIES	BODY	ENGINE	TRANS	TRIM	DESCRIPTION
1	82205158	1	D, P		41				WIRING PACKAGE, Trailer Tow
2	05073039AA	1	C, D						STRAP, Tie
3	05073039AA	1							WIRING, Trailer Tow - 4 Way, Serviced in Package, (NOT SERVICED)
4	82204602	1							BRACKET KIT, Trailer Tow

NEON (US) SX 2.0 (CANADA) (PL)

SERIES LINE
H = HIGHLINE C = CHRYSLER
L = LOWLINE Z = CHRYSLER (RHD)
P = PREMIUM D = DODGE
S = SPORT
X = SPECIAL
E = ACR

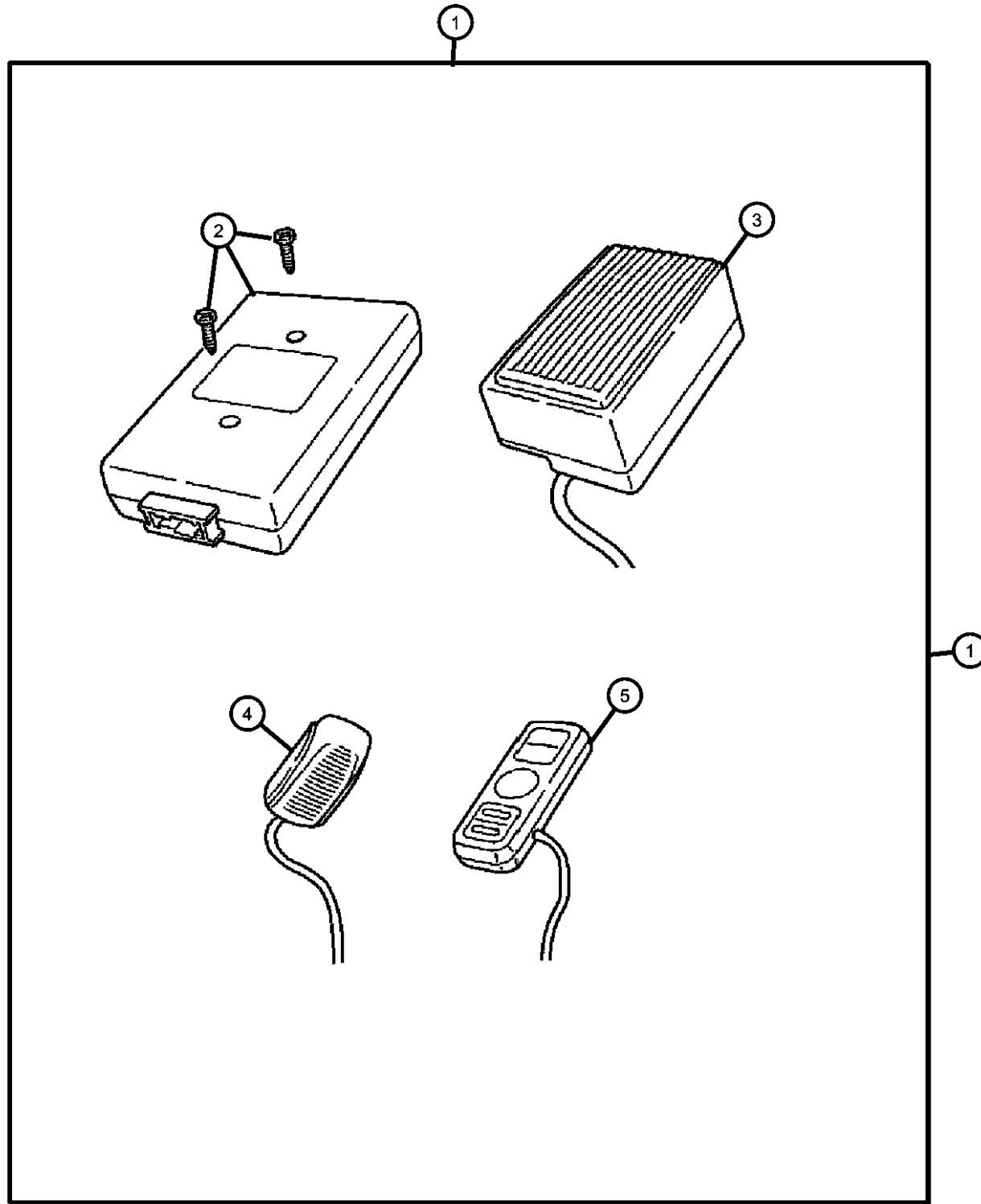
BODY
41 = 4 Door (104 WB)

ENGINE
ECB = Engine - 2.0L 4 Cyl SOHC 16V SMPI
ECH = Engine - 2.0L 4 Cyl SOHC 16V Hi Perf
EJD = Engine - 1.6L 4 Cyl SOHC 16V SMPI
EDV = Engine - 2.4L 4 Cyl. 16V DOHC Flex Fuel

TRANSMISSION
DD5 = Transmission - 5-Speed Manual
DDR = Transmission - 5-Speed Manual
DGL = Transmission - 4-Spd. Automatic
DG0 = All Automatic Transmissions
DBB = All Manual Transmissions

AR = use ase required - = Non illustrated part

Hands Free Kit/Cellular Phone Blue Tooth
Figure 1-320



ITEM	PART NUMBER	QTY	LINE	SERIES	BODY	ENGINE	TRANS	TRIM	DESCRIPTION
1	82207853AD	1							HANDS FREE KIT, Cellular Phone
2	05114359AC	1							MODULE, U Connect
3	05102026AA	1							SPEAKER, Front
4	05102025AA	1							MICROPHONE, Audio
5	05102027AA	1							CONTROLLER, Audio

NEON (US) SX 2.0 (CANADA) (PL)

SERIES LINE
 H = HIGHLINE C = CHRYSLER
 L = LOWLINE Z = CHRYSLER (RHD)
 P = PREMIUM D = DODGE
 S = SPORT
 X = SPECIAL
 E = ACR

BODY
 41 = 4 Door (104 WB)

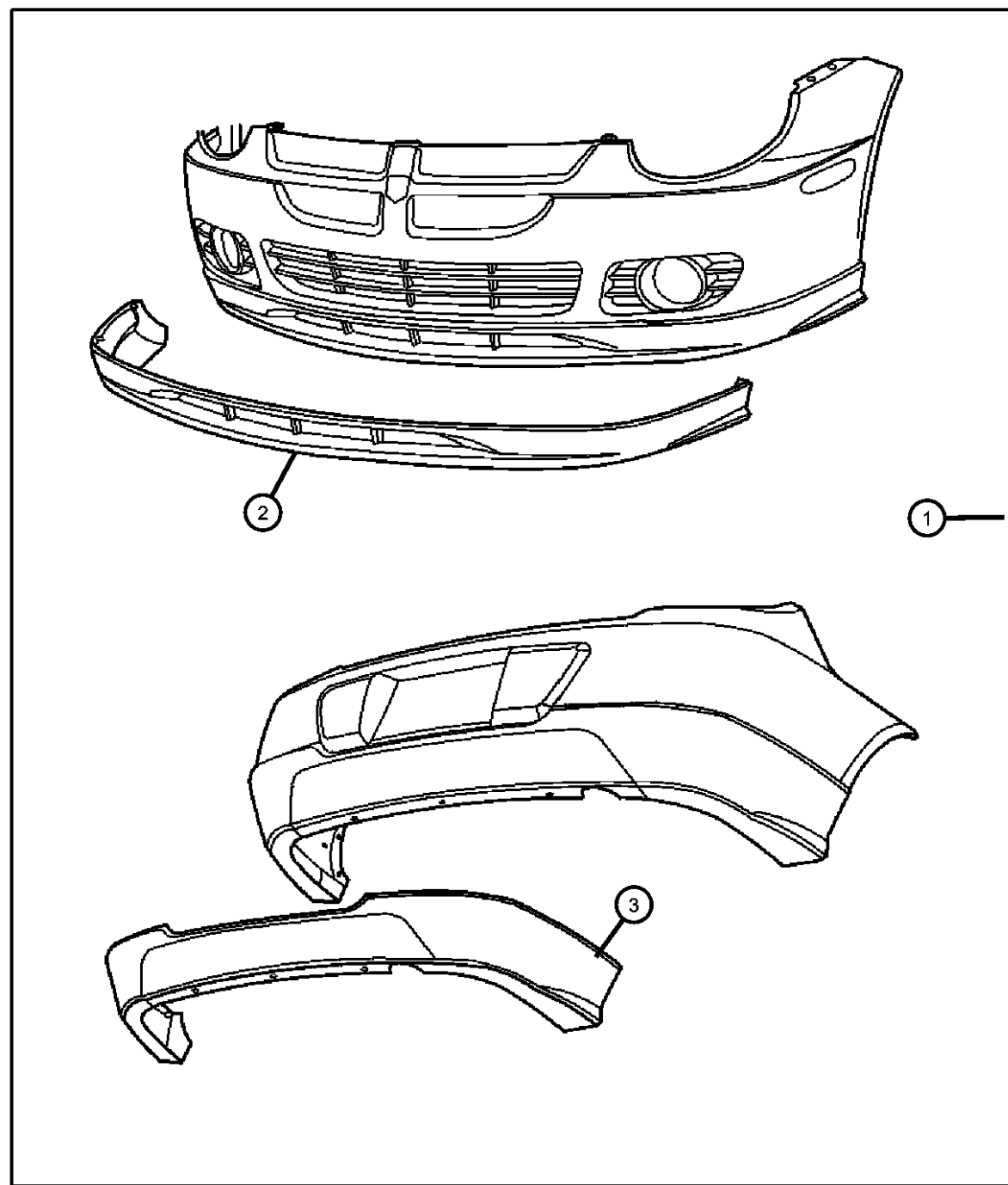
ENGINE
 ECB = Engine - 2.0L 4 Cyl
 SOHC 16V SMPI
 ECH = Engine - 2.0L 4 Cyl
 SOHC 16V Hi Perf
 EJD = Engine - 1.6L 4 Cyl
 SOHC 16V SMPI
 EDV = Engine - 2.4L 4 Cyl.
 16V DOHC Flex Fuel

TRANSMISSION
 DD5 = Transmission - 5-Speed Manual
 DDR = Transmission - 5-Speed
 Manual
 DGL = Transmission - 4-Spd.
 Automatic
 DG0 = All Automatic Transmissions
 DBB = All Manual Transmissions

AR = use ase required - = Non illustrated part

2004 PL

**Air Dam Kit
Figure 1-410**



ITEM	PART NUMBER	QTY	LINE	SERIES	BODY	ENGINE	TRANS	TRIM	DESCRIPTION
Note; Item 1 Includes Front and Rear Air Dam's									
1									FASCIA KIT, Air Dam
	82208077	1	C						Black
		1	D						Black
	82208082	1	C						Bright Silver
		1	D						Bright Silver
	82208083	1	C						Primed
		1	D						Primed
	82208210	1	C						Blaze Red
		1	D						Blaze Red
2									FASCIA, Front, Primed
	05102975AA	1	C						Primed
		1	D						Primed
3									FASCIA, Rear, Primed
	05102976AA	1	C						Primed
		1	D						Primed

NEON (US) SX 2.0 (CANADA) (PL)

SERIES LINE
 H = HIGHLINE C = CHRYSLER
 L = LOWLINE Z = CHRYSLER (RHD)
 P = PREMIUM D = DODGE
 S = SPORT
 X = SPECIAL
 E = ACR

BODY
 41 = 4 Door (104 WB)

ENGINE
 ECB = Engine - 2.0L 4 Cyl SOHC 16V SMPI
 ECH = Engine - 2.0L 4 Cyl SOHC 16V Hi Perf
 EJD = Engine - 1.6L 4 Cyl SOHC 16V SMPI
 EDV = Engine - 2.4L 4 Cyl. 16V DOHC Flex Fuel

TRANSMISSION
 DD5 = Transmission - 5-Speed Manual
 DDR = Transmission - 5-Speed Manual
 DGL = Transmission - 4-Spd. Automatic
 DG0 = All Automatic Transmissions
 DBB = All Manual Transmissions

AR = use ase required - = Non illustrated part