

VIN PLATE DECODING INFORMATION

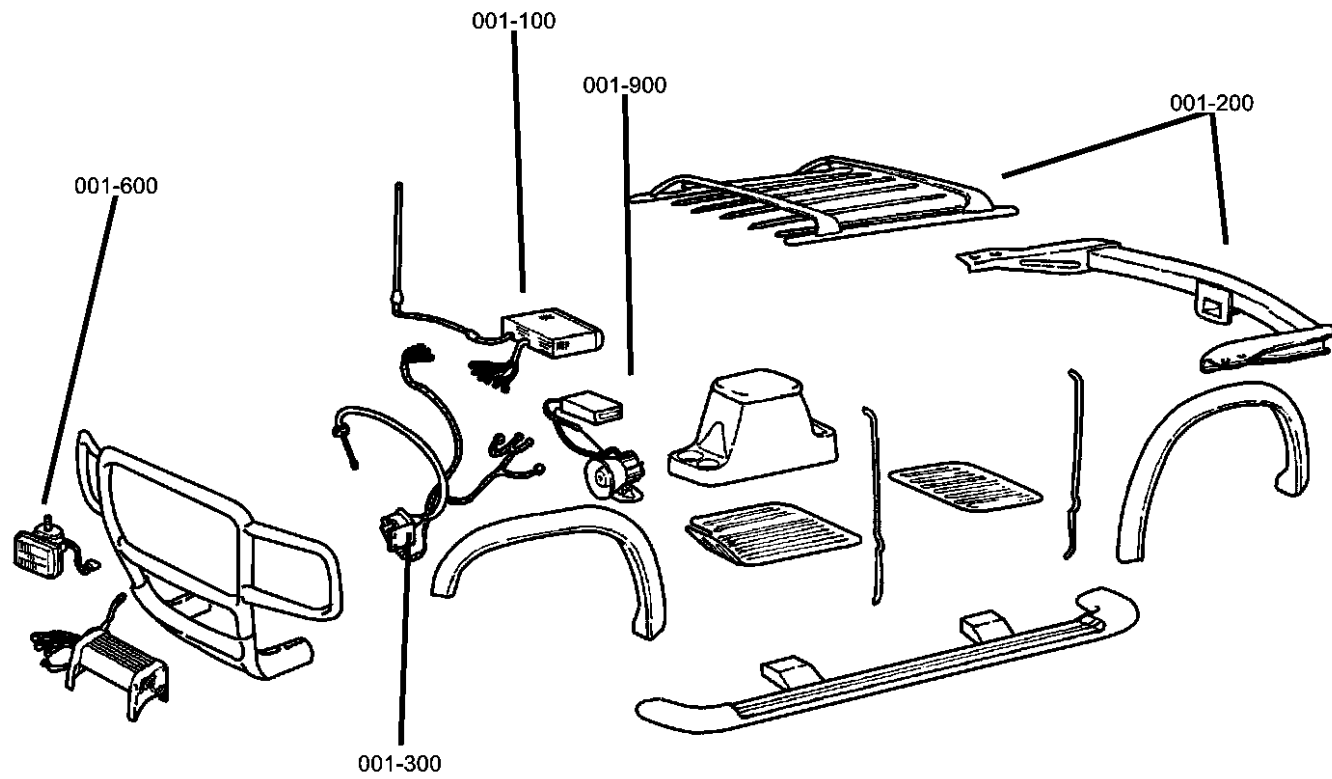
1	2	3	4	5	6	7	8	9	10	11	12 thru 17
Country	Make	Vehicle Type	Other	Line	Series	Body Style	Engine	Check Digit	Model Year	Assy. Plant	Sequence No.

The following table interprets the VIN Plate position shown above.

Position	Interpretation	Codes = Description
1	Country of Origin	1 = Built in U.S. by DaimlerChrysler Corporation
2	Assembler	C = Chrysler B = Dodge
3	Vehicle Type	3 = Passenger Car
4	GVWR & Pass. Safety	E = Restraint System Active Driver & Passenger Air Bags (CGW) A = Restraint System Active Front & Side Air Bags (CGS) B = Restraint System Manual/Active Uni-Belt (CGA) D = Restraint System w/o Air Bags Sales Code (CGJ)
5	Vehicle Line	S = Neon (LHD) V = Neon (RHD)
6	Series	2 = SE (C-L41) 2 = Neon (D-L41) 4 = LE (C-H41) 4 = SE (CZ-H41) & (D-H41) 5 = ES (D-P41) 5 = LX (D-P41) 6 = SRT (D-S41) 7 = R/T (D-X41) * = SE (C-H41) * = LE (C-P41) * = LE (Z-P41) * = LX (C-S41) * = LX (Z-S41) * = R/T (CZ-X41) 1 = ACR (D-E41)
7	Body Style	6 = 4 Door Sedan (41)
8	Engine	P = 1.6L 4 Cyl. 16V SOHC (EJD) F = 2.0L 4 Cyl. 16V HP (ECH) C = 2.0L 4 Cyl. 16V SOHC (ECB) S = 2.4L 4 Cyl. 16V DOHC H/O Turbo (EDV)
9	Check Digit	0 = Check Digit 0 = Check Digit
10	Model Year	3 = 2003
11	Assembly Plant	D = Belvidere
12 thru 17	Vehicle Build Sequence	Model Year Assembly Sequence

Group - 1

Component Parts for Mopar Accessories



Group - 1 Component Parts for Mopar Accessories

Group-Fig. No.

Illustration Title

Audio & Electronics

CD Changer - 6 Disc.....	Fig. 1 - 110
Navigation Kit.....	Fig. 1 - 140

Carriers & Cargo Hauling

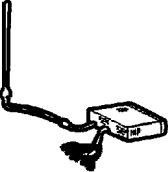
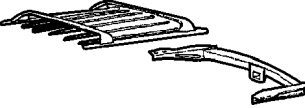

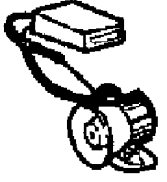
Rack Kit - Roof.....	Fig. 1 - 205
Bike Carrier - Hitch.....	Fig. 1 - 210
Bike Carrier - Roof.....	Fig. 1 - 212
Bike Carrier - Roof.....	Fig. 1 - 214
Carrier Kit - Luggage.....	Fig. 1 - 216
Ski Carrier - Roof.....	Fig. 1 - 226
Carrier Kit - Watersports.....	Fig. 1 - 232
Trailer Tow.....	Fig. 1 - 240
Wiring Package - Trailer Tow.....	Fig. 1 - 290

Fog Lights & Electrical

Fog Lamps.....	Fig. 1 - 612
----------------	--------------

Security

Alarm EVS Base System.....	Fig. 1 - 910
----------------------------	--------------

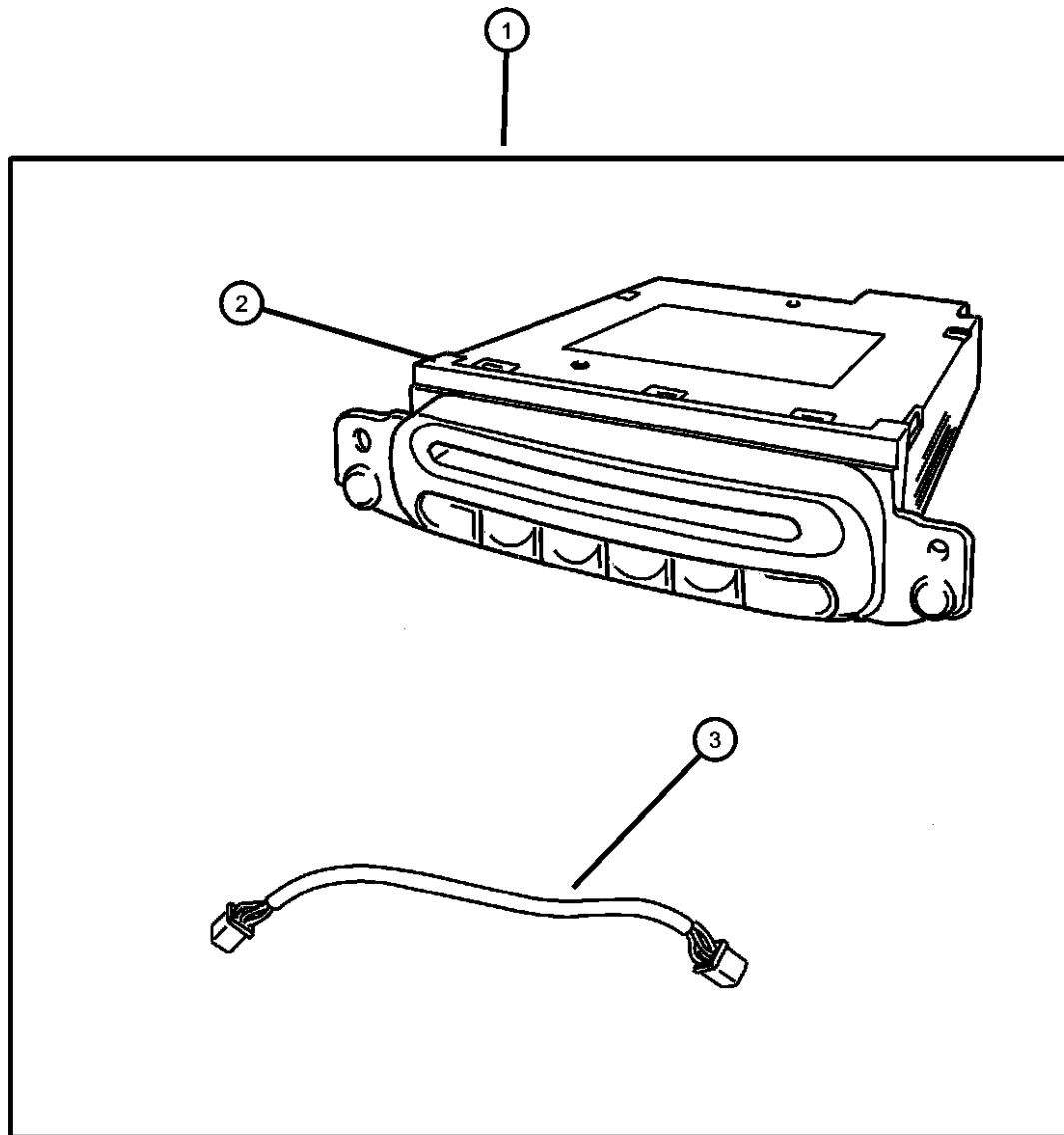
<p>001-100 Audio & Electronics</p> 	<p>001-200 Carriers & Cargo Hauling</p> 	<p>001-600 Fog Lights & Electrical</p> 	<p>001-900 Security</p> 
---	--	--	--

CD Changer - 6 Disc
Figure 1-110

ITEM	PART NUMBER	QTY	LINE	SERIES	BODY	ENGINE	TRANS	TRIM	DESCRIPTION
------	-------------	-----	------	--------	------	--------	-------	------	-------------

Note: For Warranty Order Item #2 use a 'z' prefix through [GPOP]

1	82207873	1							PLAYER KIT, CD Changer - 6 Disc
2	82207873	1							CHANGER, CD, (NOT SERVICED)
3	04671841AA	1							WIRING, Compact Disc Changer
-4	06032723	2							SCREW, Self Tapping, M4.2x1.69x19.05



NEON (US) SX 2.0 (CANADA) (PL)

SERIES LINE
 X = SPECIAL C = CHRYSLER
 E = ACR Z = CHRYSLER (RHD)
 H = HIGHLINE D = DODGE
 L = LOWLINE
 P = PREMIUM
 S = SPORT

BODY
 41 = 4 Door (104 WB)

ENGINE TRANSMISSION
 ECB = Engine - 2.0L 4 Cyl
 SOHC 16V SMPI DD5 = Transmission - 5-Speed Manual
 ECH = Engine - 2.0L 4 Cyl
 SOHC 16V Hi Perf Manual DDR = Transmission - 5-Speed
 EJD = Engine - 1.6L 4 Cyl
 SOHC 16V SMPI Automatic,41TE DGL = Transmission - 4-Spd.
 EDV = Engine - 2.4L 4 Cyl 16V DOHC Flex Fuel DG0 = All Automatic Transmissions
 DBB = All Manual Transmissions

AR = use ase required - = Non illustrated part

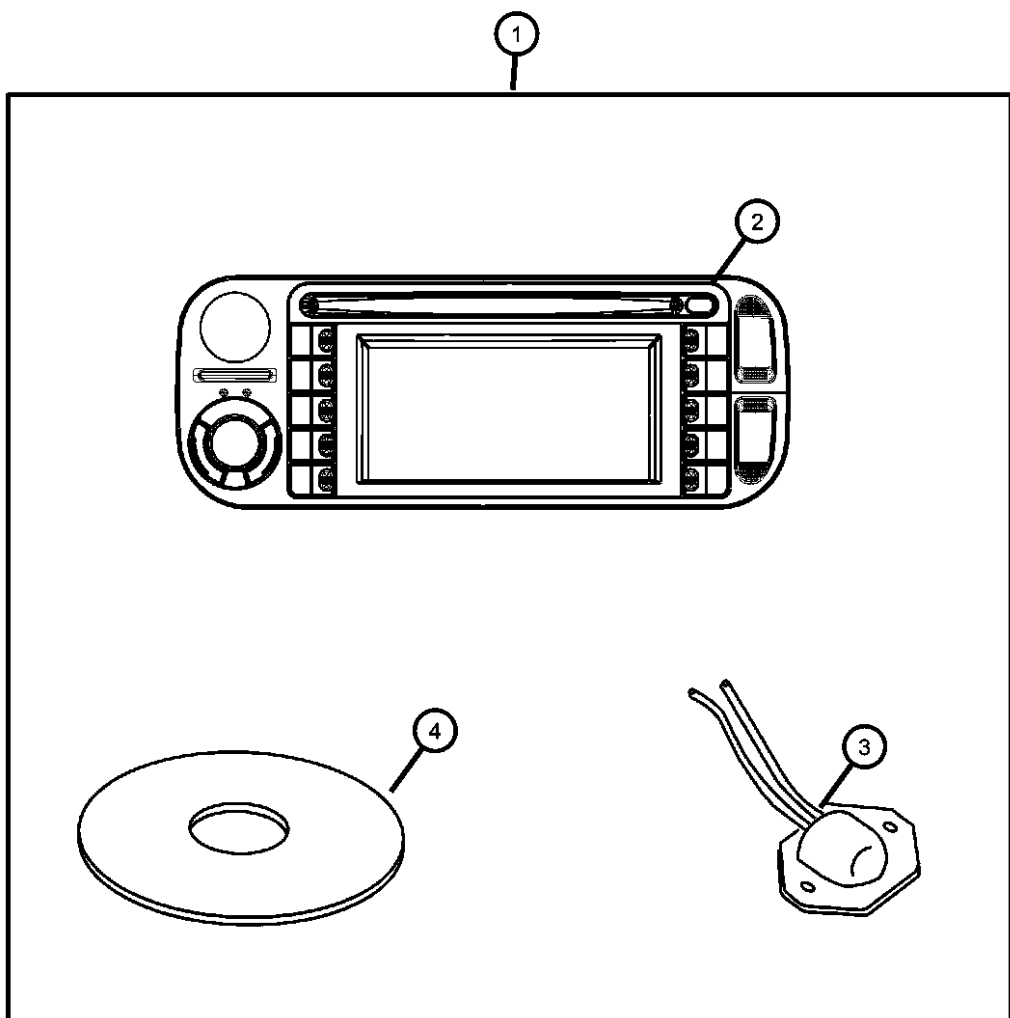
2003 PL

Navigation Kit
Figure 1-140

ITEM	PART NUMBER	QTY	LINE	SERIES	BODY	ENGINE	TRANS	TRIM	DESCRIPTION
------	-------------	-----	------	--------	------	--------	-------	------	-------------

Note: For warranty order item #2 use a 'z' prefix through funtion 11
For Geographic Map Database item #4 call Toll Free 1-866-733-5492
Credit Card is required for this transaction.

1	82206406	1							RADIO, AM/FM CD W/NAV/DVD & CD-CTRL
2	56038629AC	1							RADIO, AM/FM CD W/NAV/DVD & CD-CTRL
3	56038630AA	1							ANTENNA, GPS
4	56038642AA	1							DVD, Geographic Database



NEON (US) SX 2.0 (CANADA) (PL)

SERIES LINE
X = SPECIAL C = CHRYSLER
E = ACR Z = CHRYSLER (RHD)
H = HIGHLINE D = DODGE
L = LOWLINE
P = PREMIUM
S = SPORT

BODY
41 = 4 Door (104 WB)

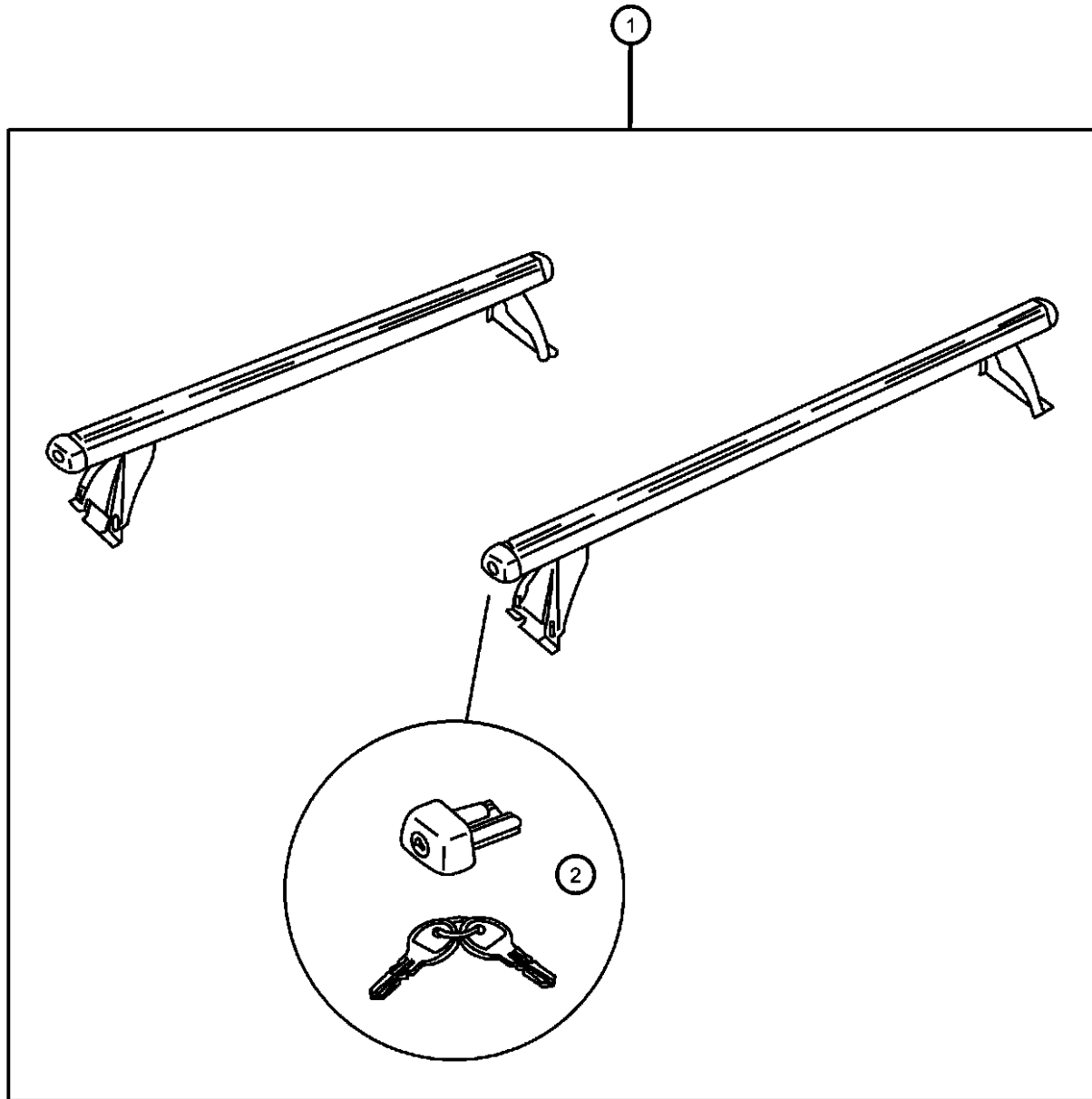
ENGINE TRANSMISSION
ECB = Engine - 2.0L 4 Cyl DD5 = Transmission - 5-Speed Manual
SOHC 16V SMPI DDR = Transmission - 5-Speed
ECH = Engine - 2.0L 4 Cyl Manual
SOHC 16V Hi Perf DGL = Transmission - 4-Spd.
EJD = Engine - 1.6L 4 Cyl Automatic,41TE
SOHC 16V SMPI DG0 = All Automatic Transmissions
EDV = Engine - 2.4L 4 Cyl 16V DBB = All Manual Transmissions
DOHC Flex Fuel

AR = use ase required - = Non illustrated part

2003 PL

**Rack Kit - Roof
Figure 1-205**

ITEM	PART NUMBER	QTY	LINE	SERIES	BODY	ENGINE	TRANS	TRIM	DESCRIPTION
1	82205697	1			41				RACK KIT, Multipurpose
2	05072276AA	1			41				END CAP, Roof Rack Side Rail
-3	05066632AA	1			41				TOOL, Screw Driver



NEON (US) SX 2.0 (CANADA) (PL)

SERIES LINE
 X = SPECIAL C = CHRYSLER
 E = ACR Z = CHRYSLER (RHD)
 H = HIGHLINE D = DODGE
 L = LOWLINE
 P = PREMIUM
 S = SPORT

BODY
 41 = 4 Door (104 WB)

ENGINE TRANSMISSION
 ECB = Engine - 2.0L 4 Cyl DD5 = Transmission - 5-Speed Manual
 SOHC 16V SMPI DDR = Transmission - 5-Speed
 ECH = Engine - 2.0L 4 Cyl Manual
 SOHC 16V Hi Perf DGL = Transmission - 4-Spd.
 EJD = Engine - 1.6L 4 Cyl Automatic,41TE
 SOHC 16V SMPI DG0 = All Automatic Transmissions
 EDV = Engine - 2.4L 4 Cyl 16V DBB = All Manual Transmissions
 DOHC Flex Fuel

AR = use ase required - = Non illustrated part

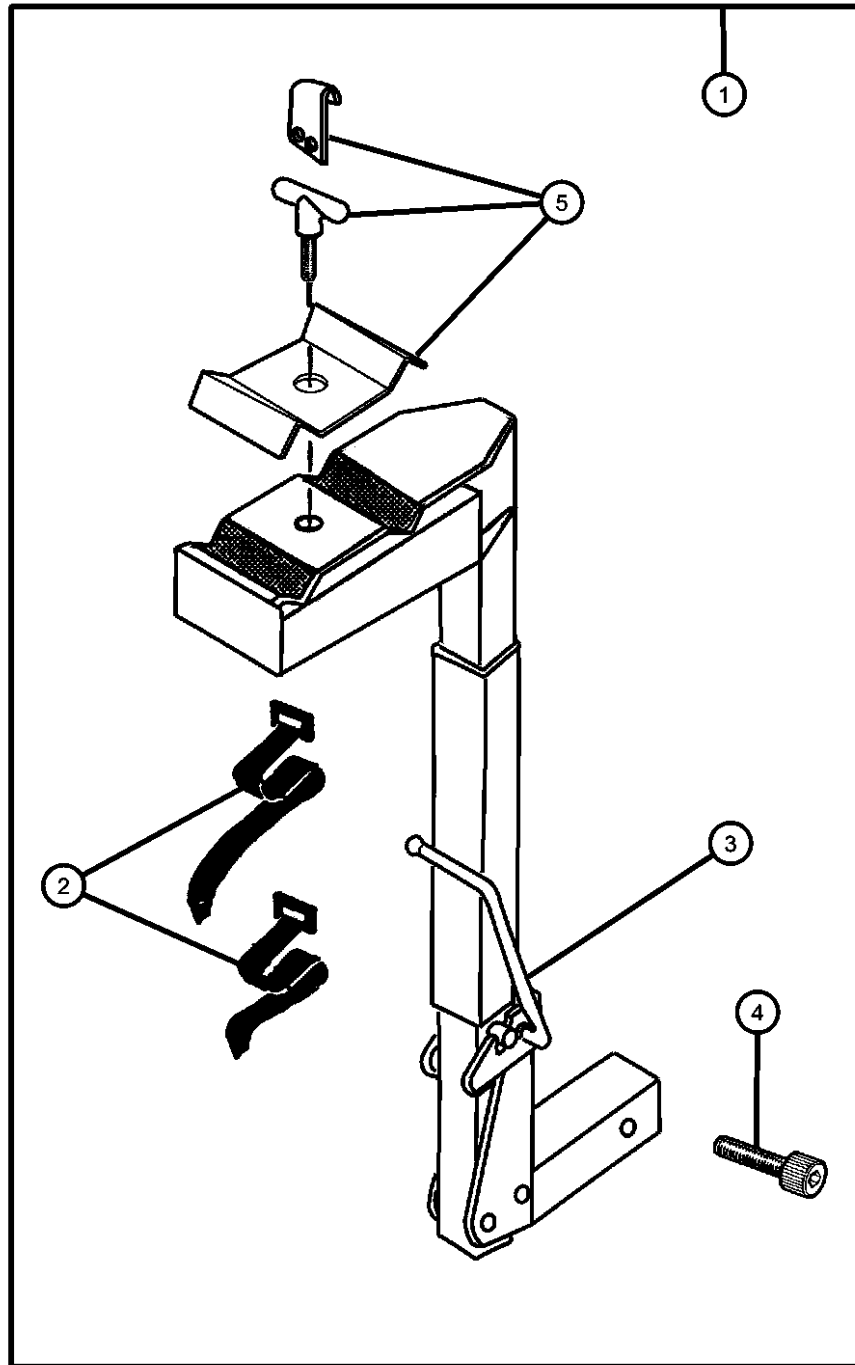
2003 PL

Bike Carrier - Hitch
Figure 1-210

ITEM	PART NUMBER	QTY	LINE	SERIES	BODY	ENGINE	TRANS	TRIM	DESCRIPTION
------	-------------	-----	------	--------	------	--------	-------	------	-------------

NOTE: Folds down for access to rear deck, has anti theft bolts.

1	82204452	1	D, P		41				CARRIER KIT, Bike
2	04762880	1	D, P		41				STRAP KIT, Velcro
3	05016775AA	1	D, P		41				STRAP KIT, Bike Carrier Latch
4	05016774AA	1	D, P		41				BOLT KIT, Security
5	05018825AA	1	D, P		41				HARDWARE KIT, Bike Carrier



NEON (US) SX 2.0 (CANADA) (PL)

SERIES LINE
X = SPECIAL C = CHRYSLER
E = ACR Z = CHRYSLER (RHD)
H = HIGHLINE D = DODGE
L = LOWLINE
P = PREMIUM
S = SPORT

BODY
41 = 4 Door (104 WB)

ENGINE
ECB = Engine - 2.0L 4 Cyl SOHC 16V SMPI
ECH = Engine - 2.0L 4 Cyl SOHC 16V Hi Perf
EJD = Engine - 1.6L 4 Cyl SOHC 16V SMPI
EDV = Engine - 2.4L 4 Cyl 16V DOHC Flex Fuel

TRANSMISSION
DD5 = Transmission - 5-Speed Manual
DDR = Transmission - 5-Speed Manual
DGL = Transmission - 4-Spd. Automatic,41TE
DG0 = All Automatic Transmissions
DBB = All Manual Transmissions

AR = use ase required - = Non illustrated part

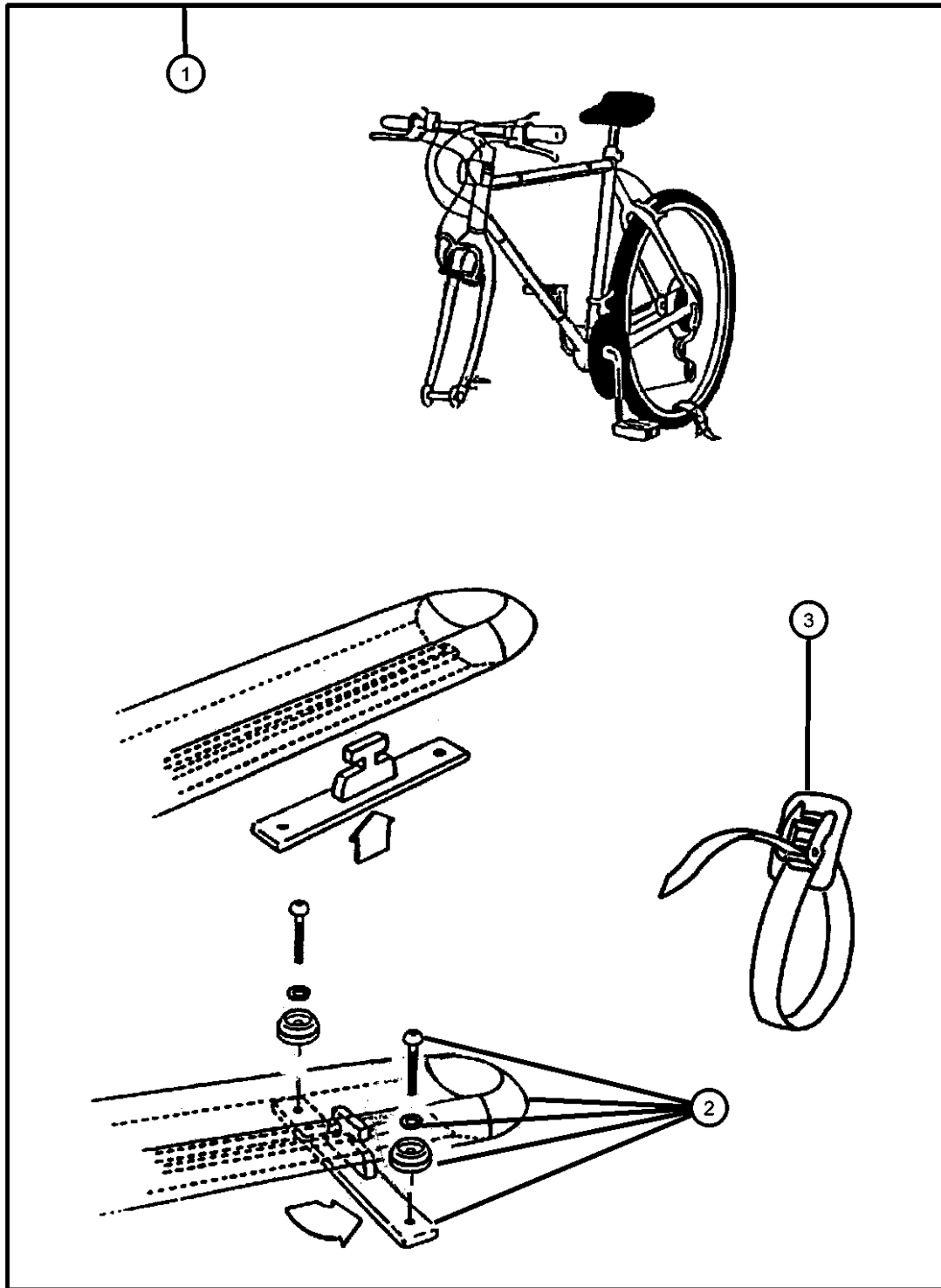
2003 PL

Bike Carrier - Roof
Figure 1-212

ITEM	PART NUMBER	QTY	LINE	SERIES	BODY	ENGINE	TRANS	TRIM	DESCRIPTION
------	-------------	-----	------	--------	------	--------	-------	------	-------------

NOTE: Hardware Kit also contained in Carrier Kit.

1	82300585	1	D, P		41				CARRIER KIT, Bike
2	82300585	1							HARDWARE KIT, Accessory, (NOT SERVICED)
3	05016513AA	1							STRAP, Cargo Tie Down
-4	05066632AA	1							TOOL, Screw Driver



NEON (US) SX 2.0 (CANADA) (PL)

SERIES LINE
X = SPECIAL C = CHRYSLER
E = ACR Z = CHRYSLER (RHD)
H = HIGHLINE D = DODGE
L = LOWLINE
P = PREMIUM
S = SPORT

BODY
41 = 4 Door (104 WB)

ENGINE
ECB = Engine - 2.0L 4 Cyl SOHC 16V SMPI
ECH = Engine - 2.0L 4 Cyl SOHC 16V Hi Perf
EJD = Engine - 1.6L 4 Cyl SOHC 16V SMPI
EDV = Engine - 2.4L 4 Cyl 16V DOHC Flex Fuel

TRANSMISSION
DD5 = Transmission - 5-Speed Manual
DDR = Transmission - 5-Speed Manual
DGL = Transmission - 4-Spd. Automatic, 41TE
DG0 = All Automatic Transmissions
DBB = All Manual Transmissions

AR = use ase required - = Non illustrated part

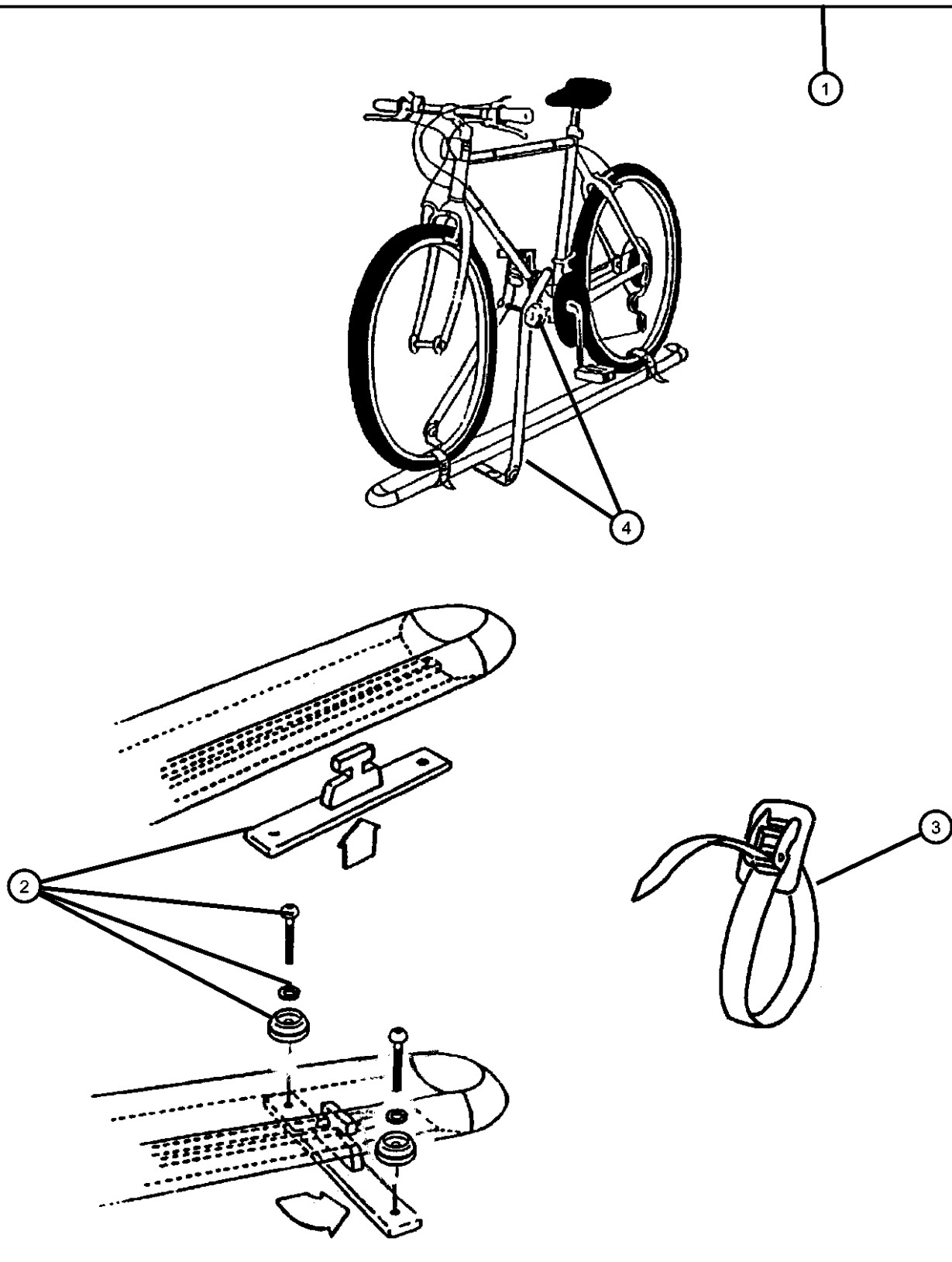
2003 PL

Bike Carrier - Roof
Figure 1-214

ITEM	PART NUMBER	QTY	LINE	SERIES	BODY	ENGINE	TRANS	TRIM	DESCRIPTION
------	-------------	-----	------	--------	------	--------	-------	------	-------------

NOTE: Kit has Upright Clamp for Bike

1	82203471	1							CARRIER KIT, Bike
2	82203471	1							HARDWARE KIT, Accessory, (NOT SERVICED)
3	05016513AA	1							STRAP, Cargo Tie Down
4	05018194AA	1							HARDWARE KIT, Bike Carrier
-5	05066632AA	1							TOOL, Screw Driver



NEON (US) SX 2.0 (CANADA) (PL)

SERIES LINE
X = SPECIAL C = CHRYSLER
E = ACR Z = CHRYSLER (RHD)
H = HIGHLINE D = DODGE
L = LOWLINE
P = PREMIUM
S = SPORT

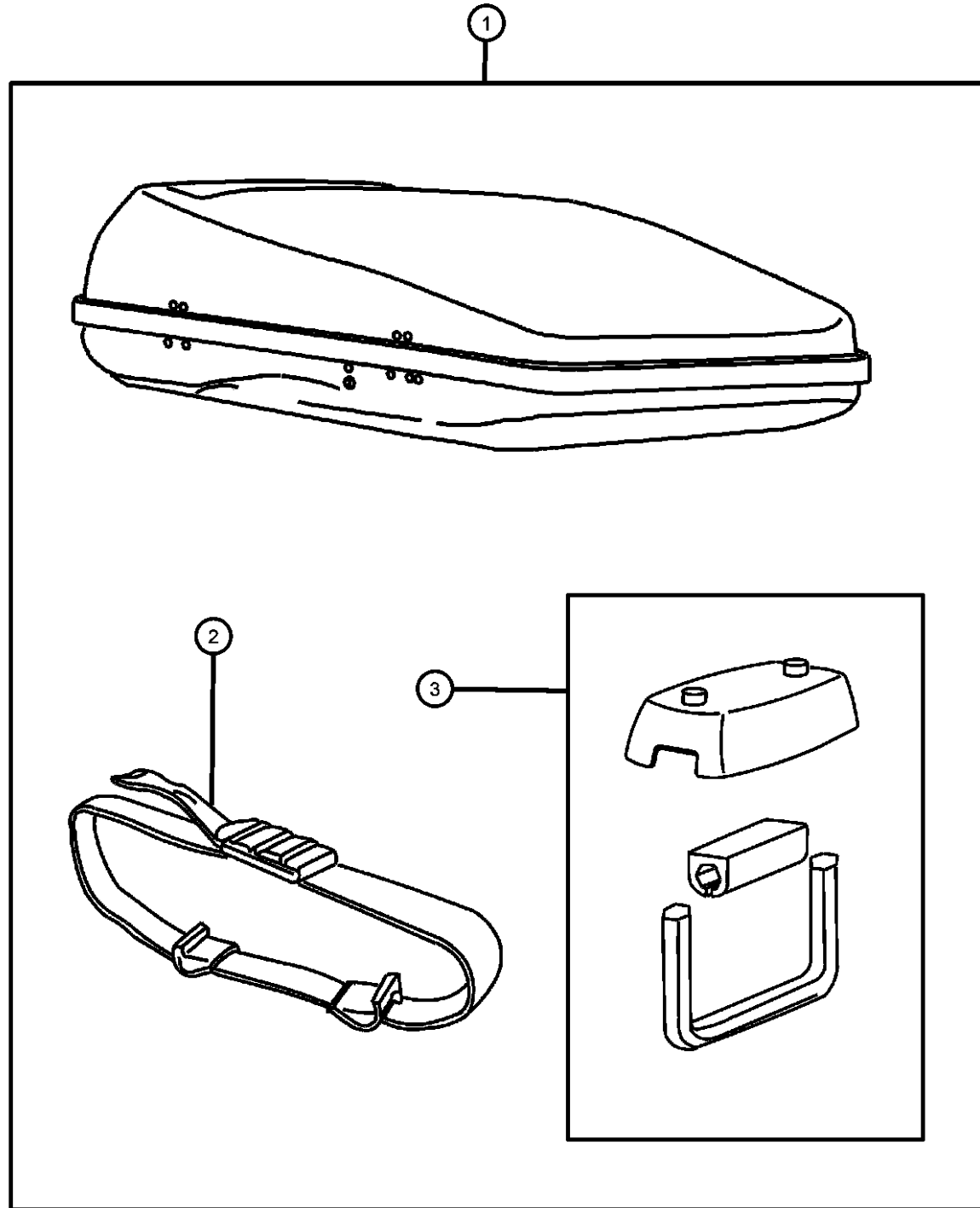
BODY
41 = 4 Door (104 WB)

ENGINE
ECB = Engine - 2.0L 4 Cyl SOHC 16V SMPI
ECH = Engine - 2.0L 4 Cyl SOHC 16V Hi Perf
EJD = Engine - 1.6L 4 Cyl SOHC 16V SMPI
EDV = Engine - 2.4L 4 Cyl 16V DOHC Flex Fuel

TRANSMISSION
DD5 = Transmission - 5-Speed Manual
DDR = Transmission - 5-Speed Manual
DGL = Transmission - 4-Spd. Automatic,41TE
DG0 = All Automatic Transmissions
DBB = All Manual Transmissions

AR = use ase required - = Non illustrated part

Carrier Kit - Luggage
Figure 1-216



ITEM	PART NUMBER	QTY	LINE	SERIES	BODY	ENGINE	TRANS	TRIM	DESCRIPTION
1	82207353	1							CARRIER KIT, Luggage
2	05086160AA	1							STRAP, Cargo Tie Down
3	05086159AA	4							HARDWARE KIT

NEON (US) SX 2.0 (CANADA) (PL)

SERIES LINE
 X = SPECIAL C = CHRYSLER
 E = ACR Z = CHRYSLER (RHD)
 H = HIGHLINE D = DODGE
 L = LOWLINE
 P = PREMIUM
 S = SPORT

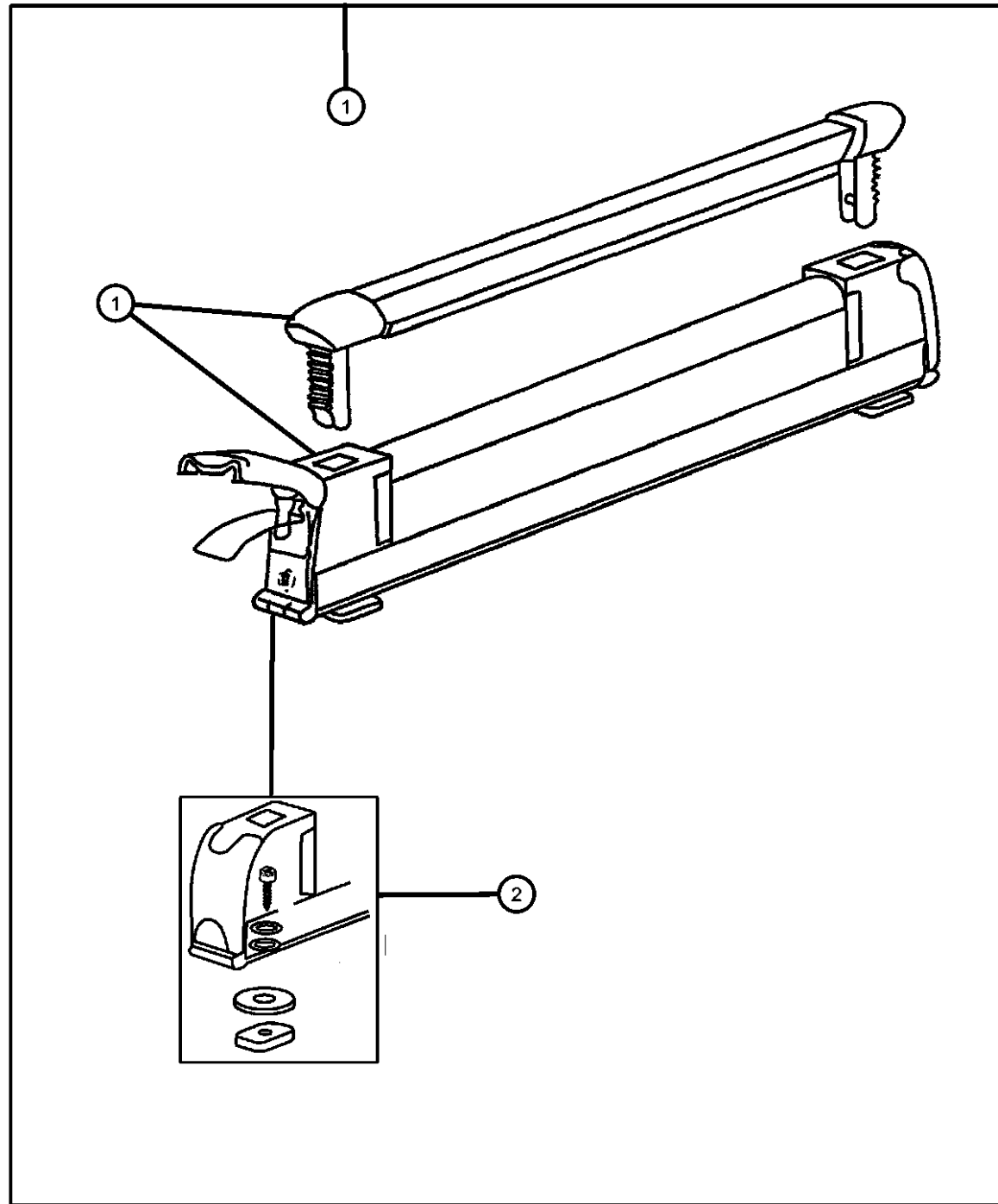
BODY
 41 = 4 Door (104 WB)

ENGINE TRANSMISSION
 ECB = Engine - 2.0L 4 Cyl
 SOHC 16V SMPI DD5 = Transmission - 5-Speed Manual
 ECH = Engine - 2.0L 4 Cyl
 SOHC 16V Hi Perf DDR = Transmission - 5-Speed
 Manual
 EJD = Engine - 1.6L 4 Cyl
 SOHC 16V SMPI Automatic,41TE
 EDV = Engine - 2.4L 4 Cyl 16V DOHC Flex Fuel
 DBB = All Manual Transmissions

AR = use ase required - = Non illustrated part

2003 PL

Ski Carrier - Roof
Figure 1-226



ITEM	PART NUMBER	QTY	LINE	SERIES	BODY	ENGINE	TRANS	TRIM	DESCRIPTION
1	82207308	1							CARRIER KIT, Ski
	82207312	1							6 Pair
									3 Pair
2	05086158AA	1							HARDWARE KIT, Accessory, Contains: 4 - 25MM Screws, 4 - 20M Screws, 4 - 16MM Screws, 4 - Lock Washers, 4 - Flat Washers, 4 - T Plates, 4 - Rubber Washers
-3	05066632AA	1							TOOL, Screw Driver

NEON (US) SX 2.0 (CANADA) (PL)

SERIES LINE
X = SPECIAL C = CHRYSLER
E = ACR Z = CHRYSLER (RHD)
H = HIGHLINE D = DODGE
L = LOWLINE
P = PREMIUM
S = SPORT

BODY
41 = 4 Door (104 WB)

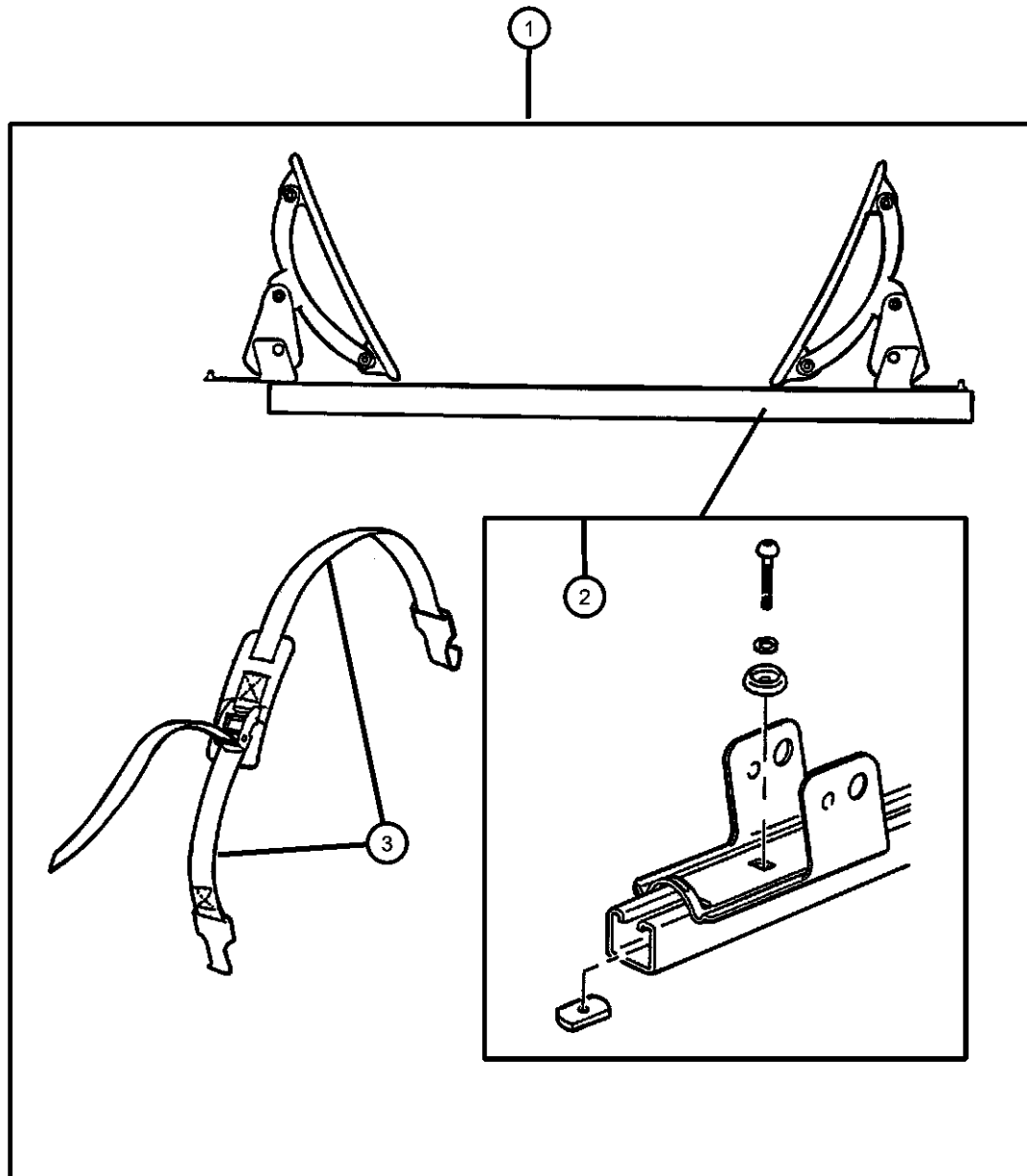
ENGINE TRANSMISSION
ECB = Engine - 2.0L 4 Cyl
SOHC 16V SMPI DD5 = Transmission - 5-Speed Manual
ECH = Engine - 2.0L 4 Cyl
SOHC 16V Hi Perf DDR = Transmission - 5-Speed
Manual
EJD = Engine - 1.6L 4 Cyl
SOHC 16V SMPI DGL = Transmission - 4-Spd.
Automatic,41TE
EDV = Engine - 2.4L 4 Cyl 16V DOHC Flex Fuel DG0 = All Automatic Transmissions
DBB = All Manual Transmissions

AR = use ase required - = Non illustrated part

2003 PL

Carrier Kit - Watersports
Figure 1-232

ITEM	PART NUMBER	QTY	LINE	SERIES	BODY	ENGINE	TRANS	TRIM	DESCRIPTION
1	82205416	1			41				CARRIER KIT, Water Sports
2	05016389AA	1			41				HARDWARE KIT, Accessory
3	05016511AA	1			41				STRAP, Cargo Tie Down
-4	05066632AA	1							TOOL, Screw Driver



NEON (US) SX 2.0 (CANADA) (PL)

SERIES LINE
 X = SPECIAL C = CHRYSLER
 E = ACR Z = CHRYSLER (RHD)
 H = HIGHLINE D = DODGE
 L = LOWLINE
 P = PREMIUM
 S = SPORT

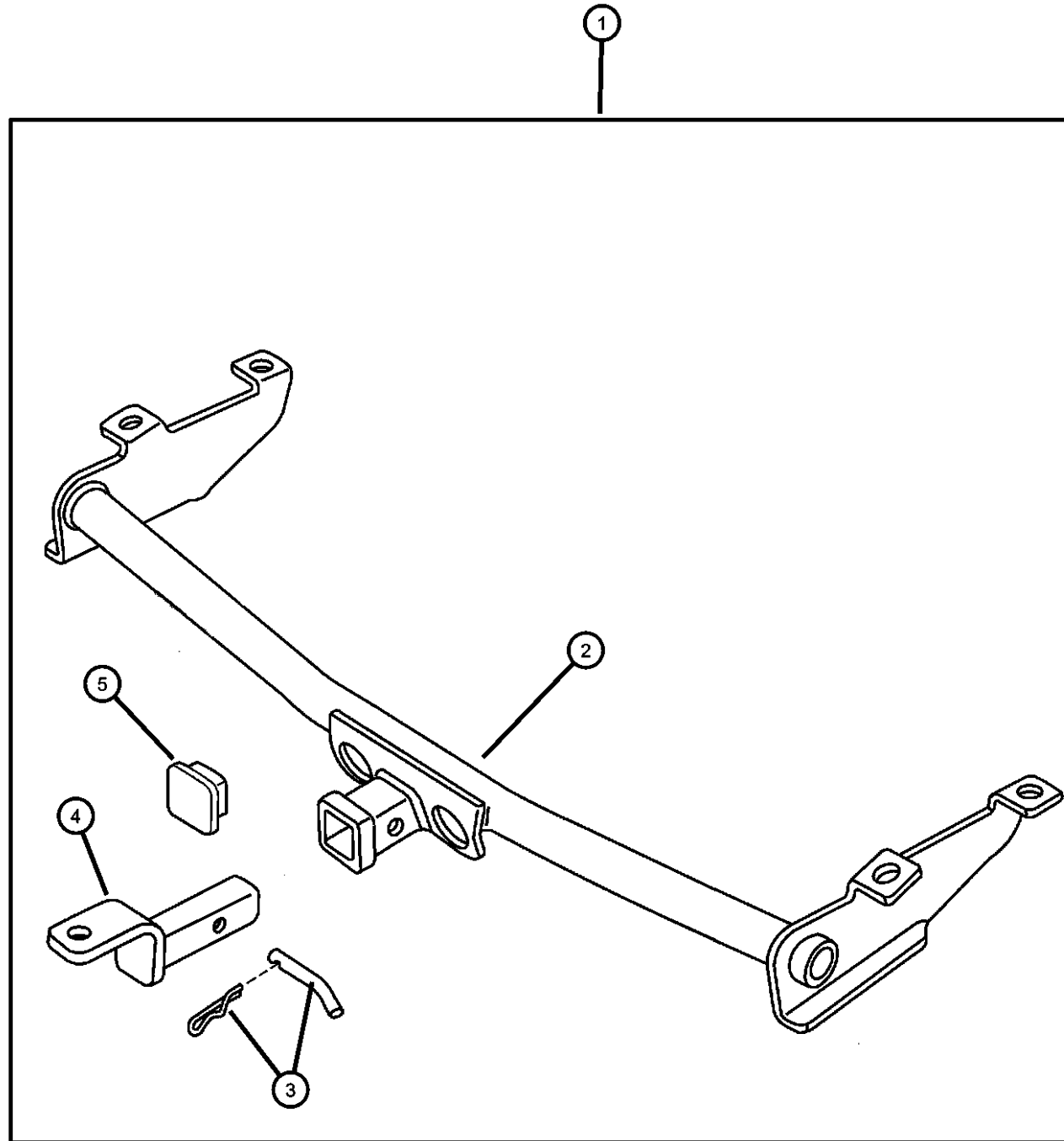
BODY
 41 = 4 Door (104 WB)

ENGINE TRANSMISSION
 ECB = Engine - 2.0L 4 Cyl DD5 = Transmission - 5-Speed Manual
 SOHC 16V SMPI DDR = Transmission - 5-Speed
 ECH = Engine - 2.0L 4 Cyl Manual
 SOHC 16V Hi Perf DGL = Transmission - 4-Spd.
 EJD = Engine - 1.6L 4 Cyl Automatic,41TE
 SOHC 16V SMPI DG0 = All Automatic Transmissions
 EDV = Engine - 2.4L 4 Cyl 16V DBB = All Manual Transmissions
 DOHC Flex Fuel

AR = use ase required - = Non illustrated part

2003 PL

Trailer Tow
Figure 1-240



ITEM	PART NUMBER	QTY	LINE	SERIES	BODY	ENGINE	TRANS	TRIM	DESCRIPTION
1	82205890	1							RECEIVER KIT, Trailer Tow
2	82205890	1							HITCH, Trailer, (NOT SERVICED)
3	05016666AA	1							PIN, Hitch
4	05016666AA	1							DRAWBAR, Attachment, Serviced in Kit, (NOT SERVICED)
5	05016666AA	1							COVER KIT, Trailer Tow, Serviced in Kit, (NOT SERVICED)
-6	82205158	1	D, P		41				WIRING PACKAGE, Trailer Tow

NEON (US) SX 2.0 (CANADA) (PL)

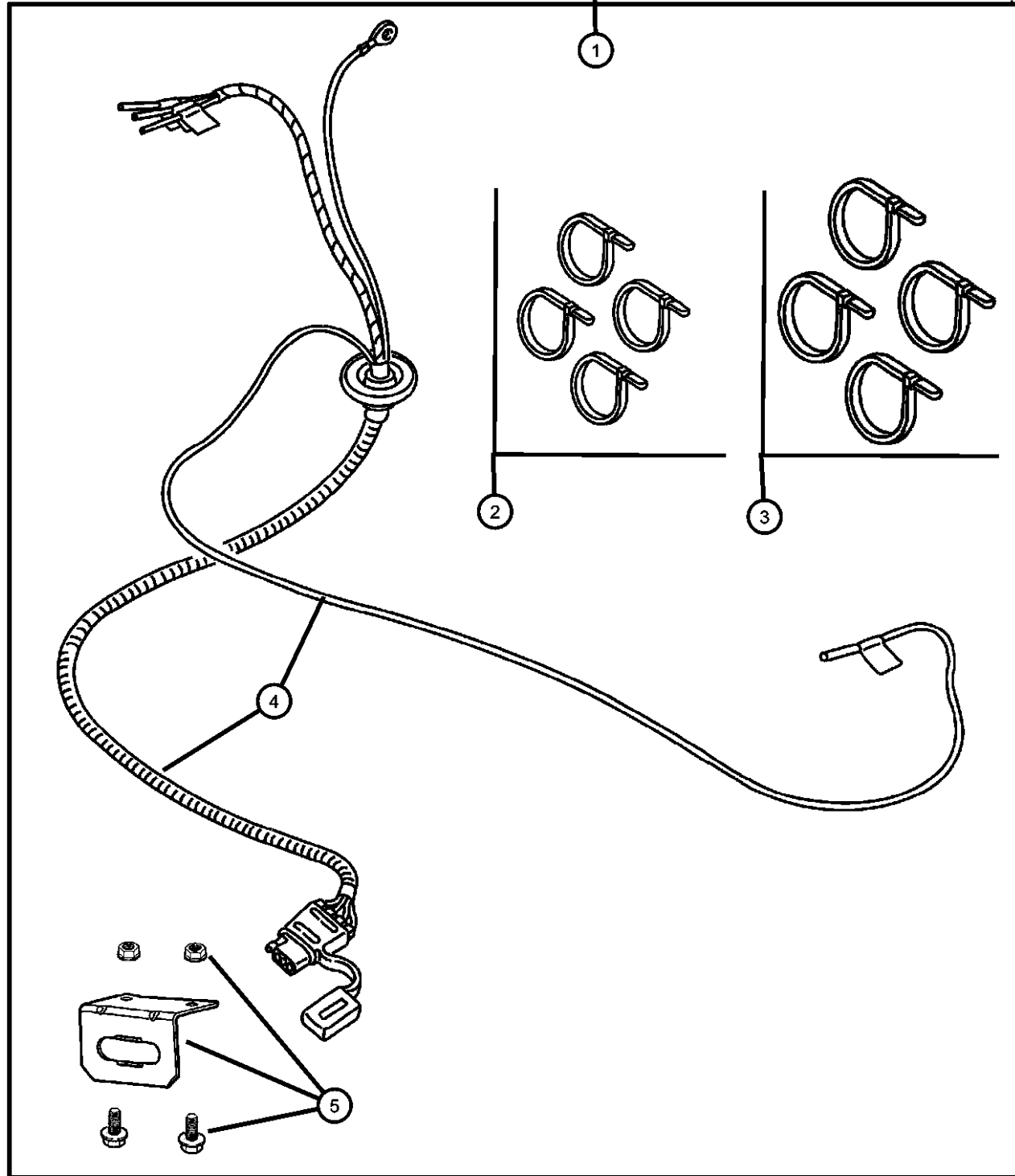
SERIES LINE
 X = SPECIAL C = CHRYSLER
 E = ACR Z = CHRYSLER (RHD)
 H = HIGHLINE D = DODGE
 L = LOWLINE
 P = PREMIUM
 S = SPORT

BODY
 41 = 4 Door (104 WB)

ENGINE TRANSMISSION
 ECB = Engine - 2.0L 4 Cyl SOHC 16V SMPI DD5 = Transmission - 5-Speed Manual
 SOHC 16V SMPI DDR = Transmission - 5-Speed Manual
 ECH = Engine - 2.0L 4 Cyl SOHC 16V Hi Perf DGL = Transmission - 4-Spd.
 SOHC 16V Hi Perf Automatic,41TE
 EJD = Engine - 1.6L 4 Cyl SOHC 16V SMPI DG0 = All Automatic Transmissions
 SOHC 16V SMPI DBB = All Manual Transmissions
 EDV = Engine - 2.4L 4 Cyl 16V DOHC Flex Fuel

AR = use ase required - = Non illustrated part

Wiring Package - Trailer Tow
Figure 1-290



ITEM	PART NUMBER	QTY	LINE	SERIES	BODY	ENGINE	TRANS	TRIM	DESCRIPTION
1	82205158	1	D, P		41				WIRING PACKAGE, Trailer Tow
2	05073039AA	1							STRAP, Tie
3	05073039AA	1							STRAP, Tie
4	05073039AA	1							WIRING, Trailer Tow - 4 Way, Serviced in Package, (NOT SERVICED)
5	82204602	1	D, P		41				BRACKET KIT, Trailer Tow

NEON (US) SX 2.0 (CANADA) (PL)

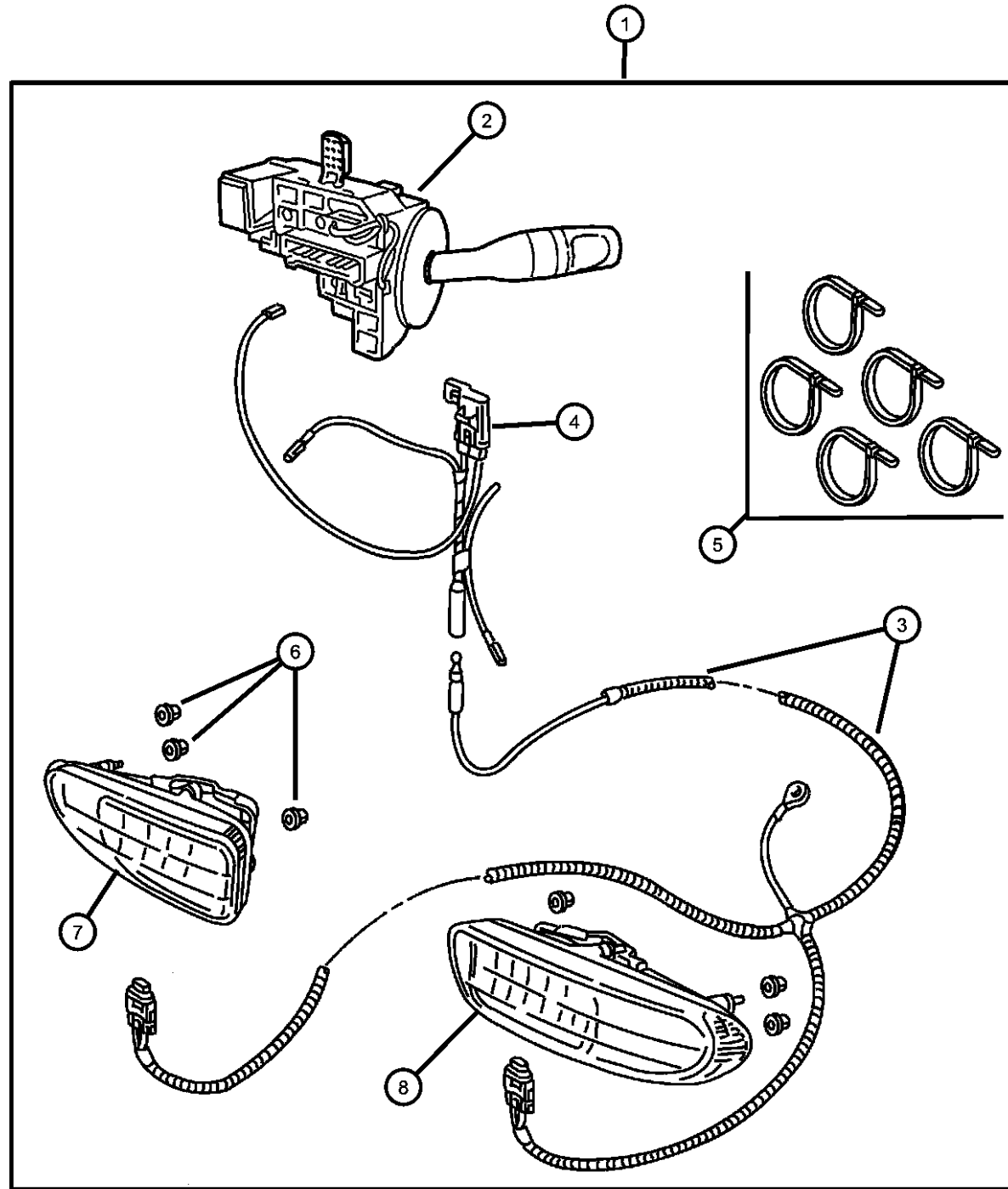
SERIES LINE
 X = SPECIAL C = CHRYSLER
 E = ACR Z = CHRYSLER (RHD)
 H = HIGHLINE D = DODGE
 L = LOWLINE
 P = PREMIUM
 S = SPORT

BODY
 41 = 4 Door (104 WB)

ENGINE TRANSMISSION
 ECB = Engine - 2.0L 4 Cyl
 SOHC 16V SMPI DD5 = Transmission - 5-Speed Manual
 ECH = Engine - 2.0L 4 Cyl DDR = Transmission - 5-Speed
 SOHC 16V Hi Perf Manual
 EJD = Engine - 1.6L 4 Cyl DGL = Transmission - 4-Spd.
 SOHC 16V SMPI Automatic,41TE
 EDV = Engine - 2.4L 4 Cyl 16V DG0 = All Automatic Transmissions
 DOHC Flex Fuel DBB = All Manual Transmissions

AR = use ase required - = Non illustrated part

Fog Lamps
Figure 1-612



ITEM	PART NUMBER	QTY	LINE	SERIES	BODY	ENGINE	TRANS	TRIM	DESCRIPTION
1	82206934	1	D, Z		41				LIGHT PACKAGE, Fog
2	05073045AA	1	C, D						SWITCH, Multifunction
3	05073045AA	1							WIRING, Fog Lamp, Serviced in Package, (NOT SERVICED)
4	05073045AA	1							WIRING, Serviced in Package, (NOT SERVICED)
5	04641780	1							STRAP, Tie
6	06101447	6							NUT
7	05288592AF	1							LAMP, Fog, Right Fog Lamp
8	05288593AF	1							LAMP, Fog, Left Fog Lamp

NEON (US) SX 2.0 (CANADA) (PL)

SERIES LINE
X = SPECIAL C = CHRYSLER
E = ACR Z = CHRYSLER (RHD)
H = HIGHLINE D = DODGE
L = LOWLINE
P = PREMIUM
S = SPORT

BODY
41 = 4 Door (104 WB)

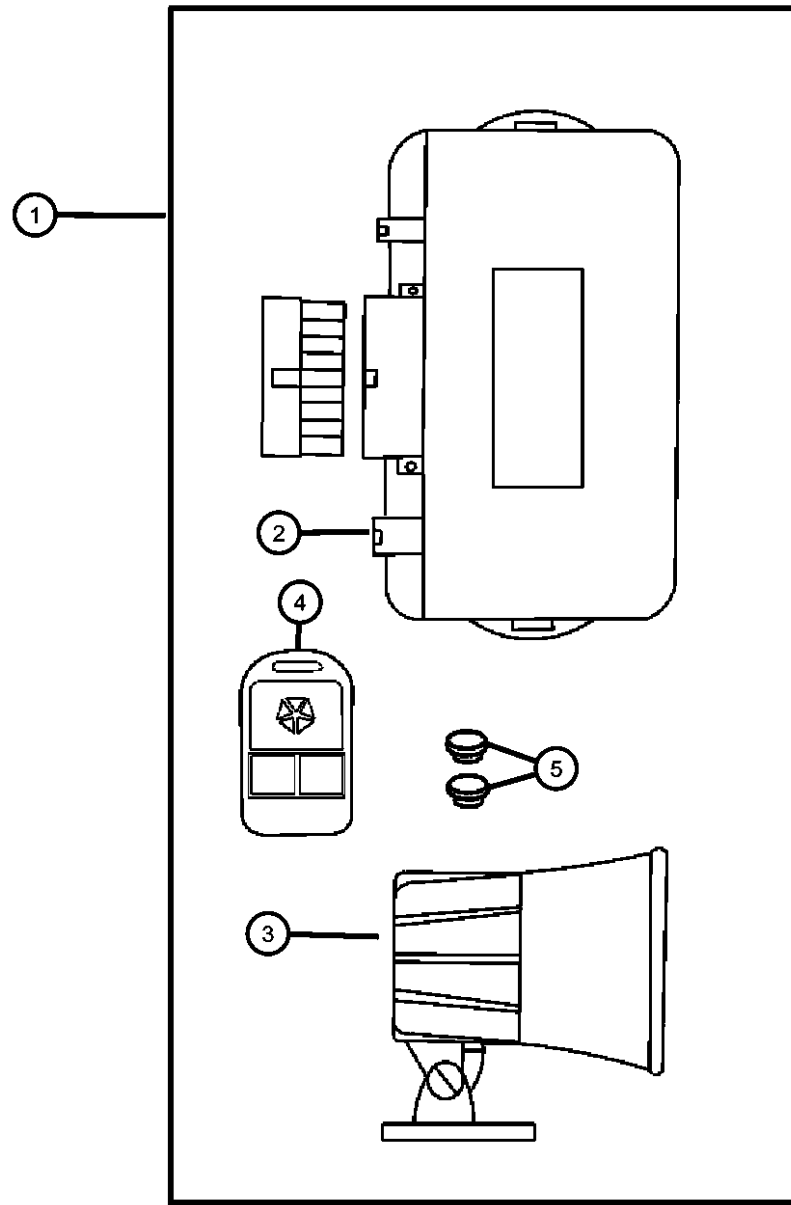
ENGINE TRANSMISSION
ECB = Engine - 2.0L 4 Cyl DD5 = Transmission - 5-Speed Manual
SOHC 16V SMPI DDR = Transmission - 5-Speed
ECH = Engine - 2.0L 4 Cyl Manual
SOHC 16V Hi Perf DGL = Transmission - 4-Spd.
EJD = Engine - 1.6L 4 Cyl Automatic,41TE
SOHC 16V SMPI DG0 = All Automatic Transmissions
EDV = Engine - 2.4L 4 Cyl 16V DBB = All Manual Transmissions
DOHC Flex Fuel

AR = use ase required - = Non illustrated part

2003 PL

**Alarm EVS Base System
Figure 1-910**

ITEM	PART NUMBER	QTY	LINE	SERIES	BODY	ENGINE	TRANS	TRIM	DESCRIPTION
1	82203763	1							MODULE KIT, Alarm without Keyless
2	05012164AA	1							MODULE, Security Alarm
3	82203198	1							SIREN, Alarm
4	04886374AA	1							TRANSMITTER, Alarm or Keyless
5	04636141	1							BATTERY, Transmitter
-6	04886259AA	1							INDICATOR, Valet Status
-7	04886258AA	1							SWITCH, Programing Bypass



NEON (US) SX 2.0 (CANADA) (PL)

SERIES LINE
 X = SPECIAL C = CHRYSLER
 E = ACR Z = CHRYSLER (RHD)
 H = HIGHLINE D = DODGE
 L = LOWLINE
 P = PREMIUM
 S = SPORT

BODY
 41 = 4 Door (104 WB)

ENGINE TRANSMISSION
 ECB = Engine - 2.0L 4 Cyl DD5 = Transmission - 5-Speed Manual
 SOHC 16V SMPI DDR = Transmission - 5-Speed
 ECH = Engine - 2.0L 4 Cyl Manual
 SOHC 16V Hi Perf DGL = Transmission - 4-Spd.
 EJD = Engine - 1.6L 4 Cyl Automatic,41TE
 SOHC 16V SMPI DG0 = All Automatic Transmissions
 EDV = Engine - 2.4L 4 Cyl 16V DBB = All Manual Transmissions
 DOHC Flex Fuel

AR = use ase required - = Non illustrated part

Group - 2

Front Suspension & Drive

Group - 2 Front Suspension & Drive

Illustration Title

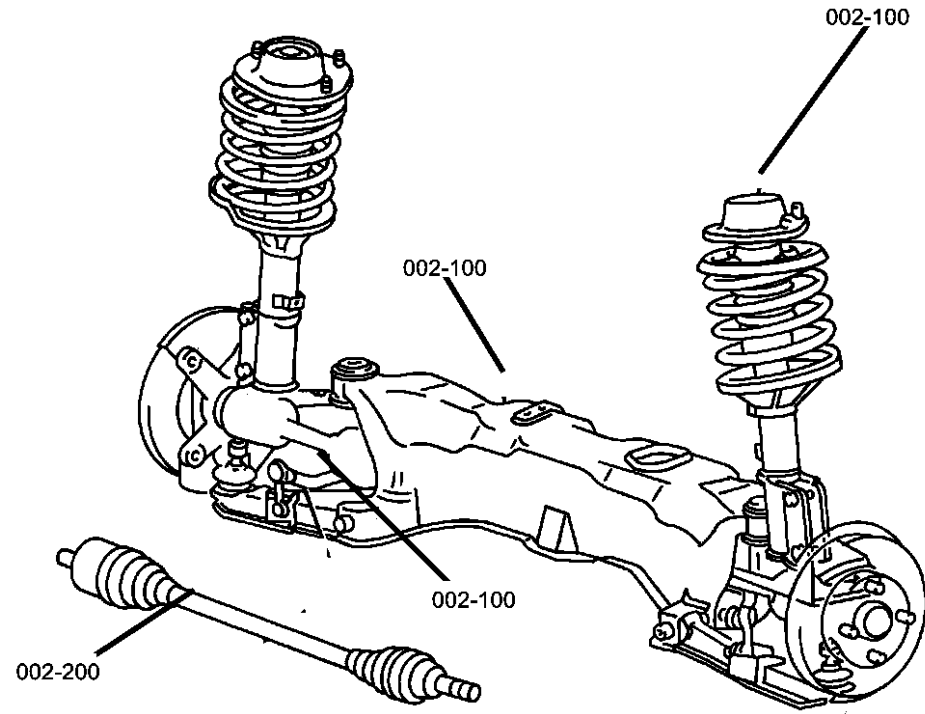
Group-Fig. No.

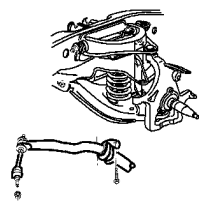
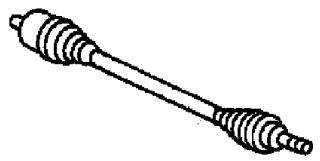
Front Suspension

Suspension, Front..... Fig. 2 - 105

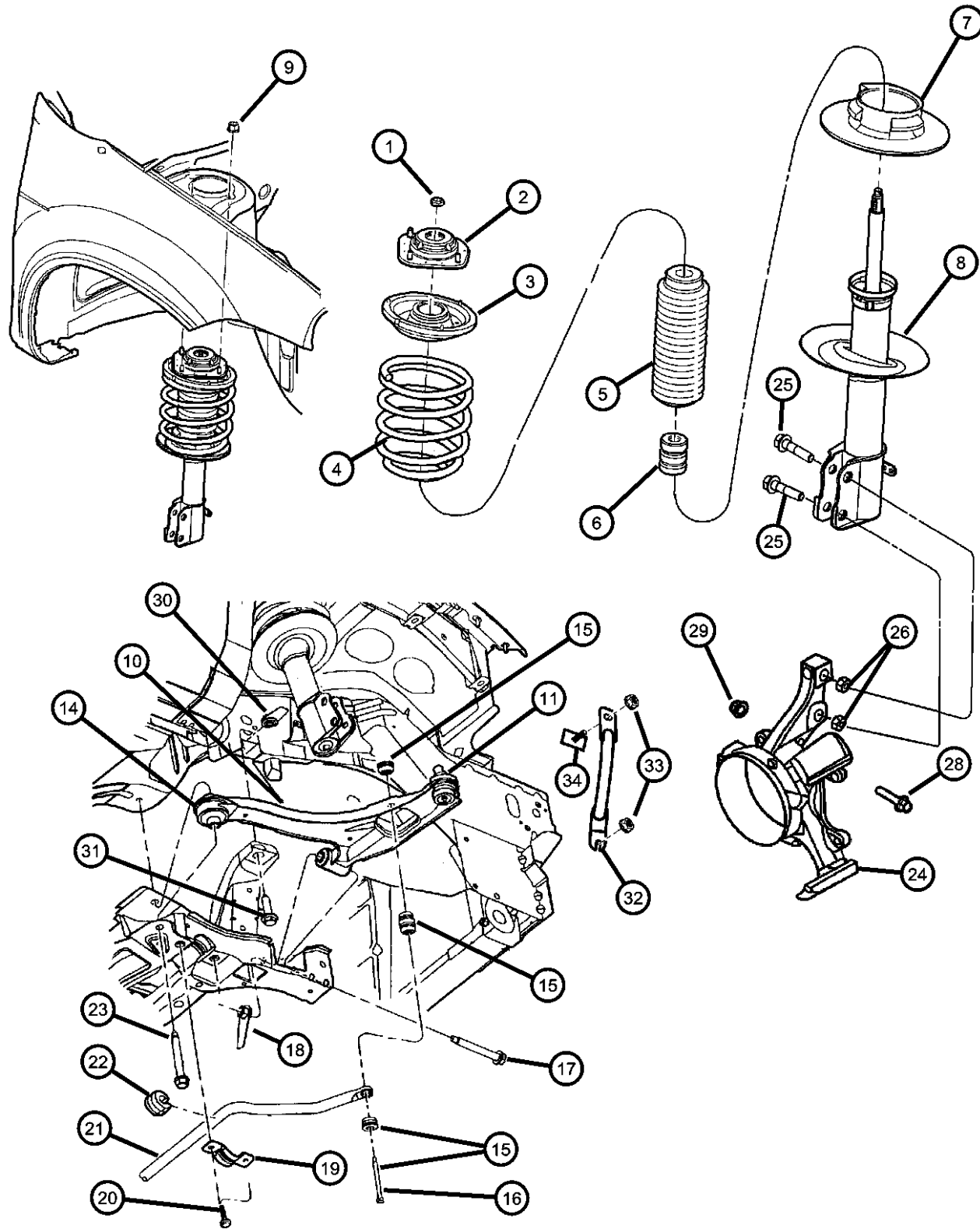
Front Axle Drive Shafts

Shaft, Front Drive Fig. 2 - 205



<p>002-100 Front Suspension</p> 	<p>002-200 Front Axle Drive Shafts</p> 		
--	---	--	--

Suspension, Front
Figure 2-105



ITEM	PART NUMBER	QTY	LINE	SERIES	BODY	ENGINE	TRANS	TRIM	DESCRIPTION
------	-------------	-----	------	--------	------	--------	-------	------	-------------

SALES CODE:
 [DD5]=TRANSMISSION - PERF. MANUAL 5-SPEED
 [DGL]=TRANSMISSION - AUTOMATIC 4-SPD, 41TE
 [DDR]=5-SPEED MANUAL
 [SDB]=SUSPENSION - HEAVY DUTY
 [SDC]=SUSPENSION - TOURING
 [SDD]=SUSPENSION - PERFORMANCE
 [SDE]=SUSPENSION - SPORT
 [SDF]=SUSPENSION - EURO
 [SDK]=SUSPENSION - COMPETITION
 [ZCC thur ZRJ]=Spring Group Type's Found on Individual Vehicle Sales's Code

1	06505116AA	2							NUT, M14X2, Strut to Strut Rod
2	05272226	2							MOUNT, StrutUpper
3	05272227	2							SEAT AND BEARING, Suspension StrutUpper
4									SPRING, Front Coil
	05272291AA	1							Tag# 291AA [SDE, SDK] [ZEA, ZTA]
	05272292AA	1							Tag# 292AA [SDE, SDK] [ZEB, ZTB]
	05272293AA	1							Tag# 293AA [SDE, SDK] [ZEC, ZTC]
	05272294AA	1							Tag# 294AA [SDE, SDK] [ZED, ZTD]
	05272295AA	1							Tag# 295AA [SDE, SDK] [ZEE, ZTE]
	05272296AA	1							Tag# 296AA [SDE, SDK] [ZEF, ZTF]
	05272497AA	1							Tag# 497AA [SDE, SDK] [ZEG, ZTG]
	05272498AA	1							Tag# 498AA [SDE, SDK] [ZEH, ZTH]
	05272603AB	1							Tag# 603AB [SDB, SDC, SDF, SDD] [ZCC, ZRC]
	05272604AB	1							Tag# 604AB [SDB, SDC, SDF, SDD] [ZCD, ZRD]
	05272605AB	1							Tag# 605AB [SDB, SDC, SDF, SDD] [ZCE, ZRE]
	05272607AB	1							Tag# 607AB [SDB, SDC, SDF, SDD] [ZCG, ZRG]
	05272608AB	1							Tag# 608AB [SDB, SDC, SDF, SDD] [ZCH, ZRH]
	05272606AB	1							Tag# 606AB [SDB, SDC, SDF, SDD] [ZCF, ZRF]

NEON (US) SX 2.0 (CANADA) (PL)

SERIES LINE
 X = SPECIAL C = CHRYSLER
 E = ACR Z = CHRYSLER (RHD)
 H = HIGHLINE D = DODGE
 L = LOWLINE
 P = PREMIUM
 S = SPORT

BODY
 41 = 4 Door (104 WB)

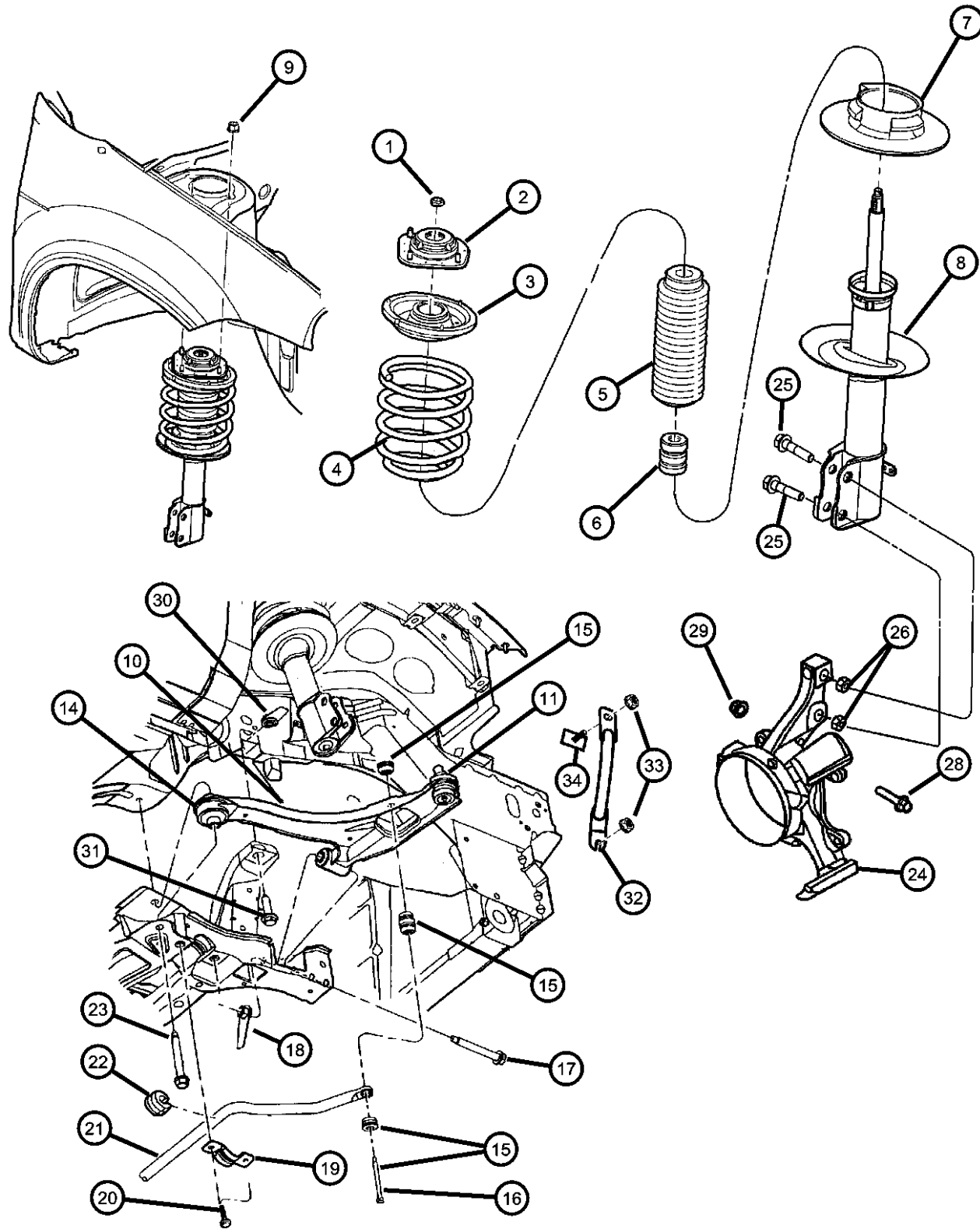
ENGINE
 ECB = Engine - 2.0L 4 Cyl SOHC 16V SMPI
 ECH = Engine - 2.0L 4 Cyl SOHC 16V Hi Perf
 EJD = Engine - 1.6L 4 Cyl SOHC 16V SMPI
 EDV = Engine - 2.4L 4 Cyl 16V DOHC Flex Fuel

TRANSMISSION
 DD5 = Transmission - 5-Speed Manual
 DDR = Transmission - 5-Speed Manual
 DGL = Transmission - 4-Spd. Automatic,41TE
 DG0 = All Automatic Transmissions
 DBB = All Manual Transmissions

AR = use ase required - = Non illustrated part

2003 PL

Suspension, Front
Figure 2-105



ITEM	PART NUMBER	QTY	LINE	SERIES	BODY	ENGINE	TRANS	TRIM	DESCRIPTION
	05290184AA	1							Tag# 0184AA [SDX, ZAK, ZNK]
	05272609AB	1							Tag# 609AB [SDB, SDC, SDF, SDD] [ZCJ, ZRJ]
5	04656943AB	2							SHIELD, Strut
6	05272223AC	2							BUMPER, Jounce
7	04656083	2							ISOLATOR, Spring
8	04656694AB	2							STRUT, Front Suspension
	05272325AE	2							[SDE]
	0SG81580								[SDC]
	05272783AC	2							Mopar V-Line Alternative Part
	0SG81580								[SDK]
	05290181AA	2							Mopar V-Line Alternative Part
	04656174AE	2							[SDX]
	0SG81580								[SDF, SDB, SDD]
	0SG81580								Mopar V-Line Alternative Part
9	06101445	6							NUT AND WASHER, Hex Nut-Coned Washer, M8 x 1.25Strut Mount
10	04656730AH	1				EDV			ARM, Control
	04656731AH	1				EDV			Right
	05272236AF	1				ECB, ECH, EJD			Left
	05272237AF	1				ECB, ECH, EJD			Right
11	04656010	1							Left
-12	04694745	1							BALL JOINT, Lower Control Arm, Less Seal Boot
-13	04656464AA	1							FITTING, Ball Joint, Zirc
14	04656012AC	1							SEAL, Ball Joint
15	05272324AC	2							BUSHING, Control Arm
16	06508030AA	2							LINK, Sway Eliminator
17	06504742	2							BOLTSway Bar To Lower Control Arm
									SCREW AND WASHER, Hex Head, M14 x 2 x 115.0, Control Arm Pivot

NEON (US) SX 2.0 (CANADA) (PL)
 SERIES LINE
 X = SPECIAL C = CHRYSLER
 E = ACR Z = CHRYSLER (RHD)
 H = HIGHLINE D = DODGE
 L = LOWLINE
 P = PREMIUM
 S = SPORT

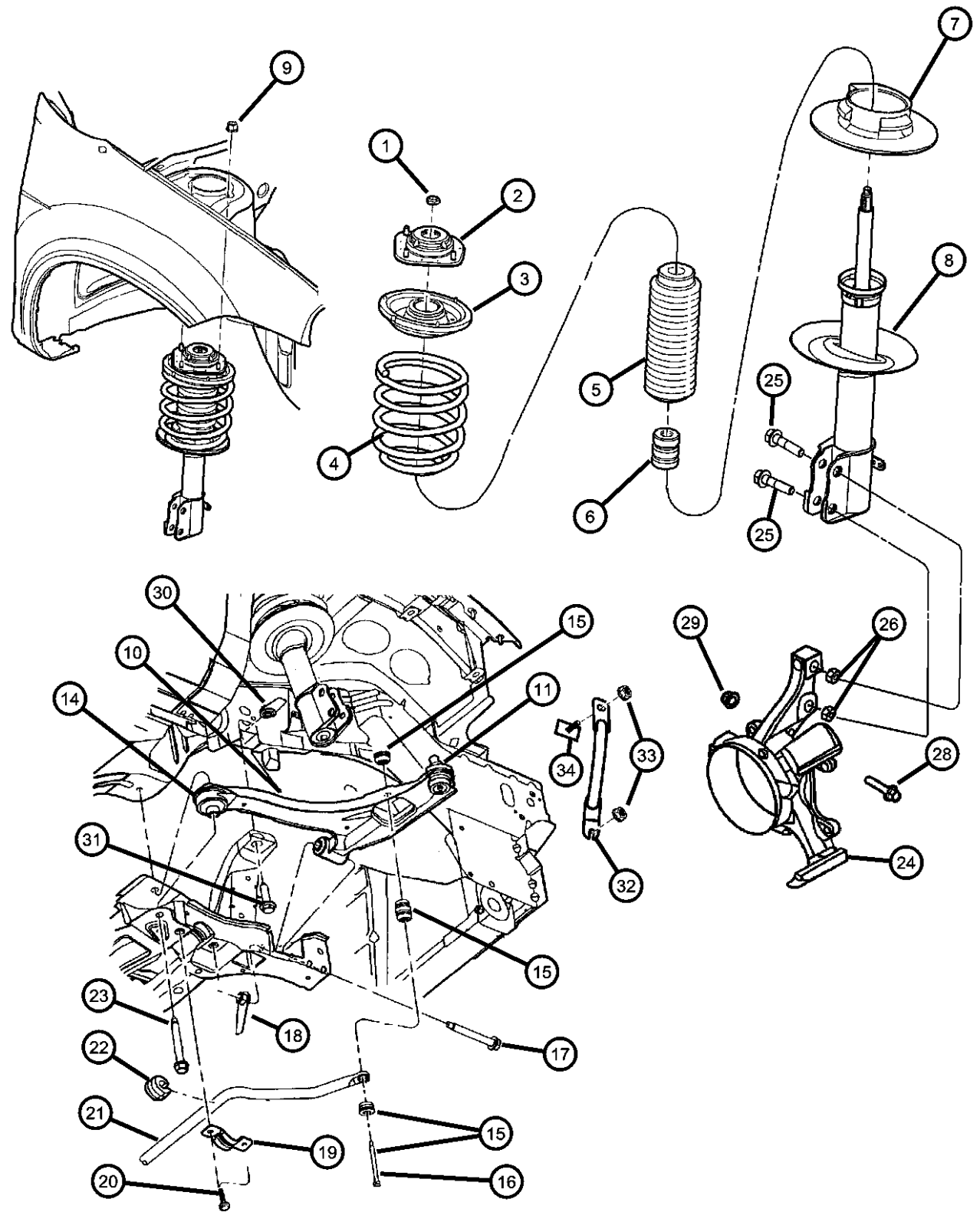
BODY
 41 = 4 Door (104 WB)

ENGINE
 ECB = Engine - 2.0L 4 Cyl
 SOHC 16V SMPI
 ECH = Engine - 2.0L 4 Cyl
 SOHC 16V Hi Perf
 EJD = Engine - 1.6L 4 Cyl
 SOHC 16V SMPI
 EDV = Engine - 2.4L 4 Cyl 16V
 DOHC Flex Fuel

TRANSMISSION
 DD5 = Transmission - 5-Speed Manual
 DDR = Transmission - 5-Speed
 Manual
 DGL = Transmission - 4-Spd.
 Automatic,41TE
 DG0 = All Automatic Transmissions
 DBB = All Manual Transmissions

AR = use ase required - = Non illustrated part

Suspension, Front
Figure 2-105



ITEM	PART NUMBER	QTY	LINE	SERIES	BODY	ENGINE	TRANS	TRIM	DESCRIPTION
18	06505595AA	2							NUT, M14X2Cross Member Attaching
19	04656513AA	2							CLAMP, Stabilizer Bar
20	06102067AA	4							BOLTFront Sway Bar Clamp
21									BAR, Front Sway
	04656856AA	1							[SDC] [SDE] [SDF] [SDK]
	05272327	1							[SDB]
	05290874AA	1							[SDX]
22									CUSHION, Sway Eliminator
	05272505AA	2							[SDB]
	05272506AA	2							[SDE] [SDK] [SDF] [SDC]
	05272507AA	2							[SDX]
23	06506039AA	2							SCREW, Hex Head, Front Control Arm Rear Pivot Attaching
24									KNUCKLE, Front
	04656090AF	1							[DD5] Mexico Only, Right
		1	C, D				DD5		[SBP], Right
	04656091AF	1	C, D				DD5		[SBB], Left
		1							[DD5] Mexico Only, Left
		1	C, D				DD5		[SBP], Left
	04656938AB	1					DGL		[SBB] [SBP], Right
		1							[SBA], Right
		1	C, D				DD5		[SBB], Right
	04656939AB	1	Z				DD5		[SBP], Left
		1							[SBA], Left
	05272486AA	1					DDR		[SBP], Right
	05272487AA	1					DDR		[SBP], Left
		1							[DGL] Mexico Only, Right
		1	Z				DD5		[SBB], Right
		1	Z				DD5		[SBP], Right
		1							[DGL] Mexico Only, Left
		1	Z				DD5		[SBB], Left
		1					DGL		[SBB] [SBP], Left

NEON (US) SX 2.0 (CANADA) (PL)
 SERIES LINE
 X = SPECIAL C = CHRYSLER
 E = ACR Z = CHRYSLER (RHD)
 H = HIGHLINE D = DODGE
 L = LOWLINE
 P = PREMIUM
 S = SPORT

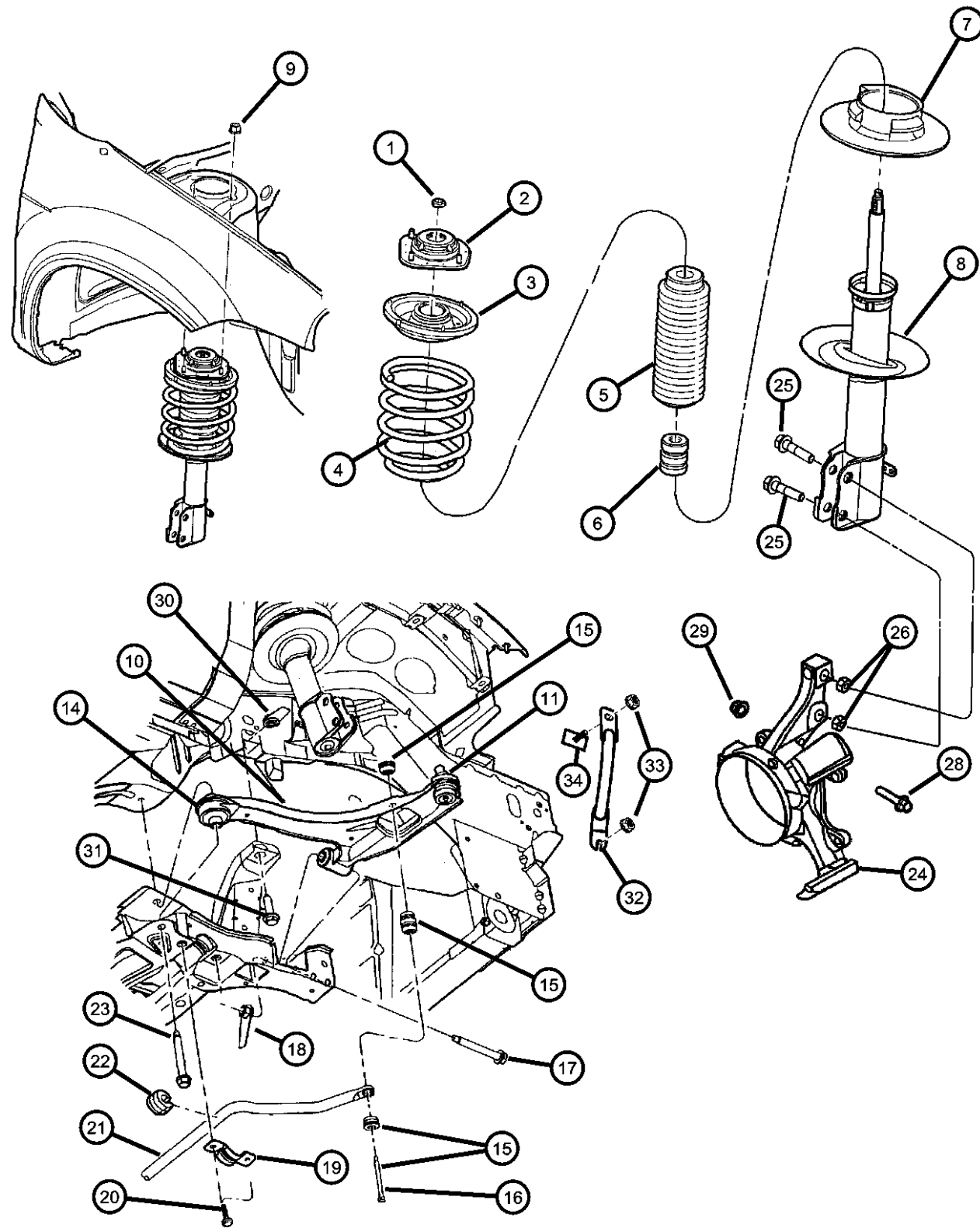
BODY
 41 = 4 Door (104 WB)

ENGINE
 ECB = Engine - 2.0L 4 Cyl SOHC 16V SMPI
 ECH = Engine - 2.0L 4 Cyl SOHC 16V Hi Perf
 EJD = Engine - 1.6L 4 Cyl SOHC 16V SMPI
 EDV = Engine - 2.4L 4 Cyl 16V DOHC Flex Fuel

TRANSMISSION
 DD5 = Transmission - 5-Speed Manual
 DDR = Transmission - 5-Speed Manual
 DGL = Transmission - 4-Spd. Automatic,41TE
 DG0 = All Automatic Transmissions
 DBB = All Manual Transmissions

AR = use ase required - = Non illustrated part

Suspension, Front
Figure 2-105



ITEM	PART NUMBER	QTY	LINE	SERIES	BODY	ENGINE	TRANS	TRIM	DESCRIPTION
25	06505525AA	4							SCREW, M14x2.00x70.00, Strut To Knuckle
26	06505232AA	4							NUT, M14x2.00, Strut To Knuckle
-27	05019074AA	2							BOLT PACKAGE, Camber Adjustment
28	06501248	2							BOLT, Hex Flange Head, M12x1.75x57
29	06501247	2							NUT, M12x1.75
30	06505595AA	2							NUT, M14X2
31	06506038AA	2							SCREW, Hex HeadCross Member To Side Rail, Front
32	04656614AA	1							STRUT, Suspension, Pencil
33	06504728	2							NUT AND WASHER, M10x1.5, Pencil Strut Attaching
34	06506427AA	1							BOLT, Pencil Strut Attaching

NEON (US) SX 2.0 (CANADA) (PL)
 SERIES LINE
 X = SPECIAL C = CHRYSLER
 E = ACR Z = CHRYSLER (RHD)
 H = HIGHLINE D = DODGE
 L = LOWLINE
 P = PREMIUM
 S = SPORT

BODY
 41 = 4 Door (104 WB)

ENGINE
 ECB = Engine - 2.0L 4 Cyl SOHC 16V SMPI
 ECH = Engine - 2.0L 4 Cyl SOHC 16V Hi Perf
 EJD = Engine - 1.6L 4 Cyl SOHC 16V SMPI
 EDV = Engine - 2.4L 4 Cyl 16V DOHC Flex Fuel

TRANSMISSION
 DD5 = Transmission - 5-Speed Manual
 DDR = Transmission - 5-Speed Manual
 DGL = Transmission - 4-Spd. Automatic,41TE
 DG0 = All Automatic Transmissions
 DBB = All Manual Transmissions

AR = use ase required - = Non illustrated part