

VIN PLATE DECODING INFORMATION

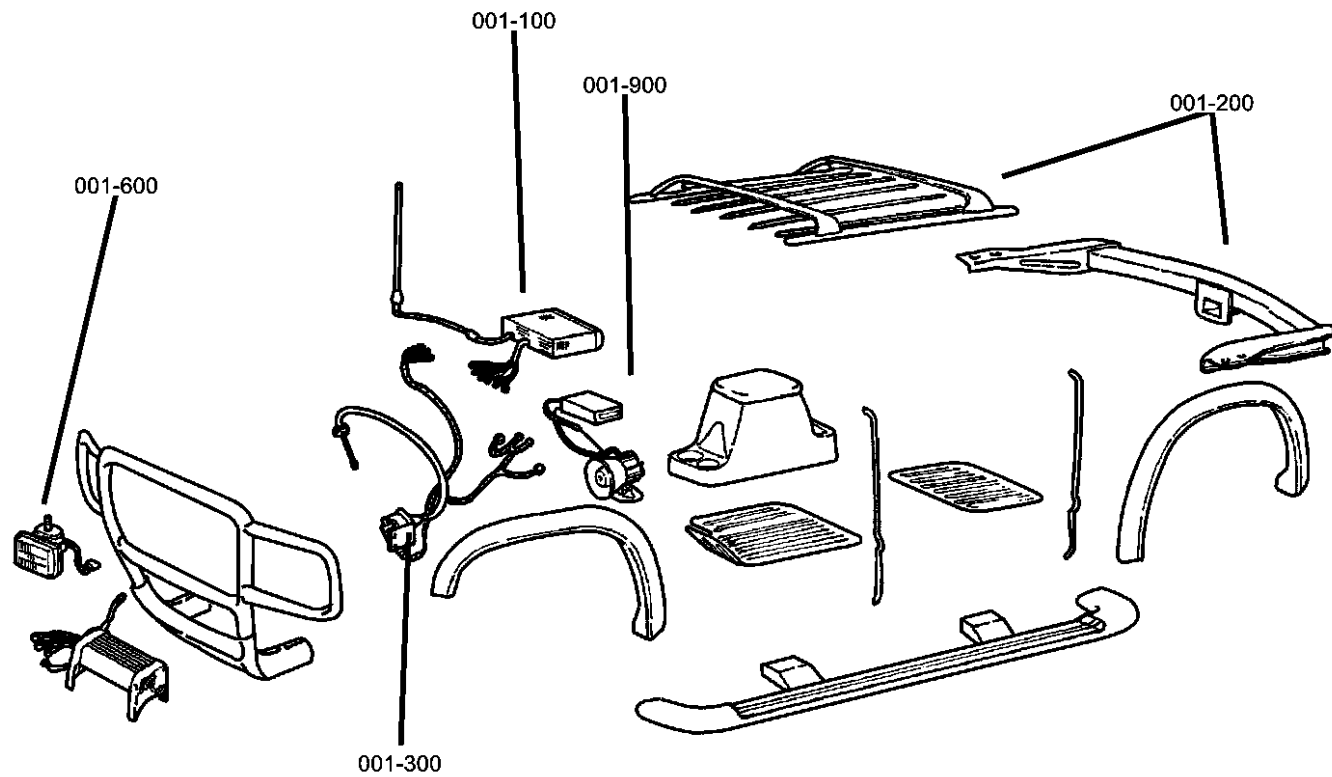
1	2	3	4	5	6	7	8	9	10	11	12 thru 17
Country	Make	Vehicle Type	Passenger Safty	Line	Series	Body Style	Engine	Check Digit	Model Year	Assy. Plant	Sequence No.

The following table interprets the VIN Plate position shown above.

Position	Interpretation	Codes = Description
1	Country of Origin	1 = USA
2	Assembler	C = Chrysler B = Dodge P = Plymouth
3	Vehicle Type	3 = Passenger Car
4	GVWR & Pass. Safety	E = Restraint System Manual/Active Uni-Belt (CGA)
5	Vehicle Line	S = Neon (LHD) V = Neon (RHD)
6	Series	2 = Low Line 4 = High Line
7	Body Style	6 = 4 Door Sedan (41)
8	Engine	P = 1.6L 4 Cyl. 16V SOHC (EJD) F = 2.0L 4 Cyl. 16V HP (ECH) C = 2.0L 4 Cyl. 16V SOHC (ECB)
9	Check Digit	0 = Check Digit 0 = Check Digit
10	Model Year	5 = 2005 1 = 2001
11	Assembly Plant	D = Belvidere
12 thru 17	Vehicle Build Sequence	Model Year Assembly Sequence

Group - 1

Component Parts for Mopar Accessories



Group - 1 Component Parts for Mopar Accessories

Group-Fig. No.

Illustration Title

Audio & Electronics

Player Kit - CD Player - 4 Disc Fig. 1 - 110

Carriers & Cargo Hauling

Roof Rack - Removable Fig. 1 - 205
 Bike Carrier - Hitch Mount Fig. 1 - 210
 Bike Carrier - Roof Mount Fig. 1 - 212
 Bike Carrier - Roof Mount Fig. 1 - 214
 Ski Carrier - Hitch Mount Fig. 1 - 220
 Carrier Kit - Ski (Two Pair) Fig. 1 - 222
 Carrier Kit - Ski (Six Pair) Fig. 1 - 224
 Carrier Kit - Watersports Fig. 1 - 232
 Trailer Tow Fig. 1 - 240
 Wiring Package - Trailer Tow Fig. 1 - 290

Driving Convenience

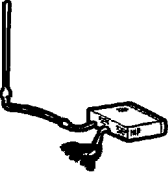
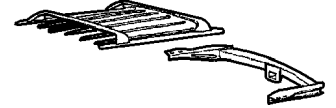
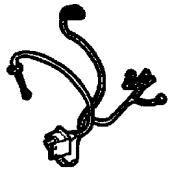

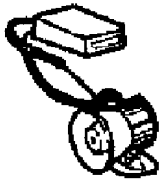
Speed Control Package Fig. 1 - 310
 Mounting Kit - Cell Phone Fig. 1 - 330

Fog Lights & Electrical

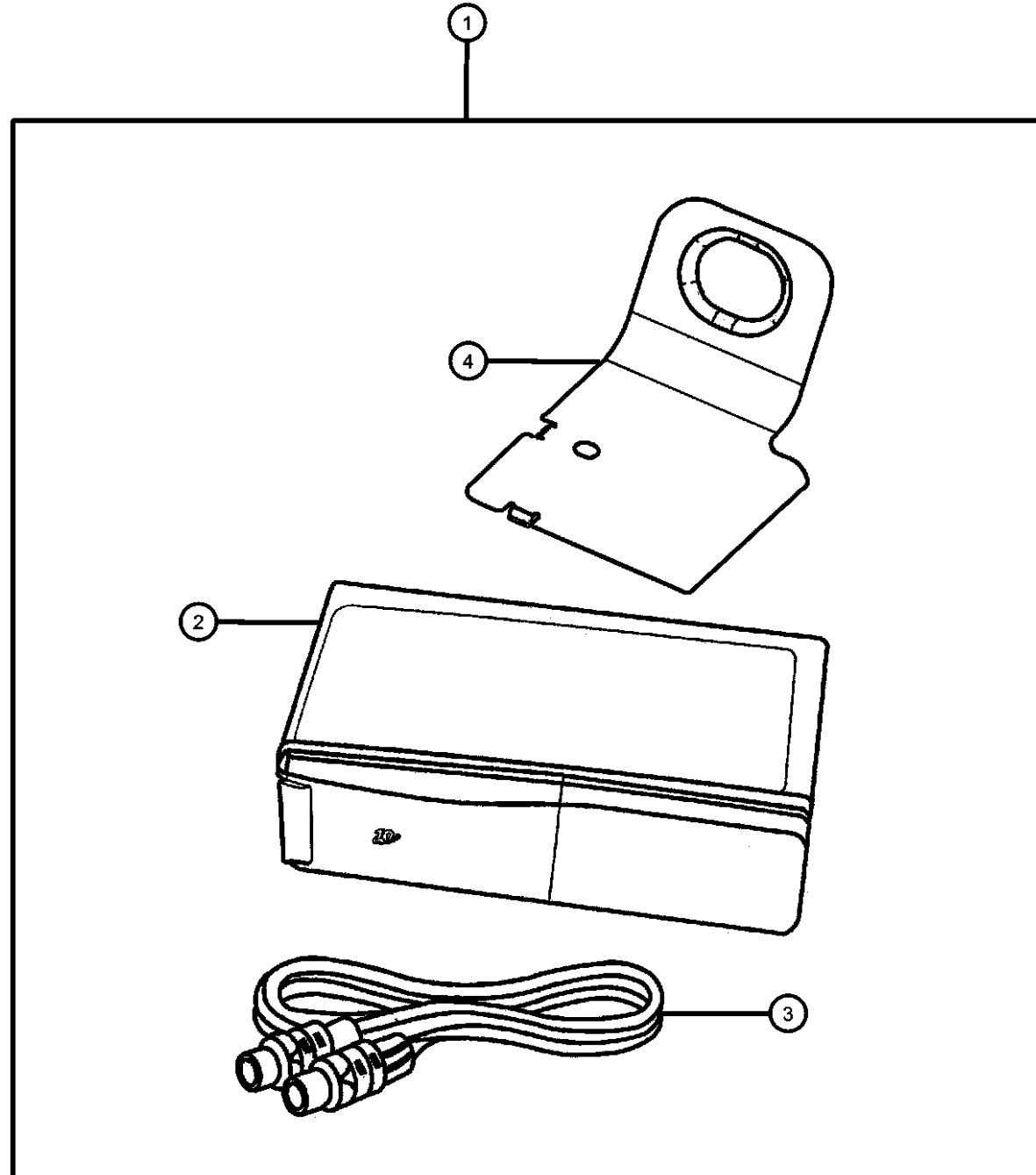
Fog Lamps Fig. 1 - 612

Security

Alarm EVS Base System Fig. 1 - 910

<p>001-100 Audio & Electronics</p> 	<p>001-200 Carriers & Cargo Hauling</p> 	<p>001-300 Driving Convenience</p> 	<p>001-600 Fog Lights & Electrical</p> 
<p>001-900 Security</p> 			

Player Kit - CD Player - 4 Disc
Figure 1-110



ITEM	PART NUMBER	QTY	LINE	SERIES	BODY	ENGINE	TRANS	TRIM	DESCRIPTION
1	82206742	1							PLAYER PACKAGE, CD Changer - 4 Disc, Radio Control using J-1850
2	82206742	1							CHANGER, CD, Serviced in package only, (NOT SERVICED)
3	04759529AA	1							DIN CORD, CD Player
4	05291370AA	1							BRACKET, Instrument Panel
-5	06032723	1							SCREW, Self Tapping, M4.2x1.69x19.05

NEON (US) SX 2.0 (CANADA) (PL)

SERIES LINE
H = HIGHLINE D = DODGE
L = LOWLINE P = PLYMOUTH
 Z = CHRYSLER, RHD
 D = CHRYSLER

BODY
41 = SEDAN/QUAD CAB
SWB

ENGINE
EBD = Engine - 1.8L 4 Cyl SOHC 16V SEFI
ECB = ENGINE - 2.0L 4 CYL SOHC 16V SMPI
ECH = ENGINE - 2.0L 4 CYL SOHC 16V HI PERF
EJD = Engine - 1.6L 4 Cyl SOHC 16V SMPI
ECO = 2.0L 4CYL. 16V SMPI
ECO = 2.0L 4CYL. 16V SOHC
EJO = 1.6L 4 CYL 16V SOHC
EBO = 1.8L 4 CYL 16V SEF

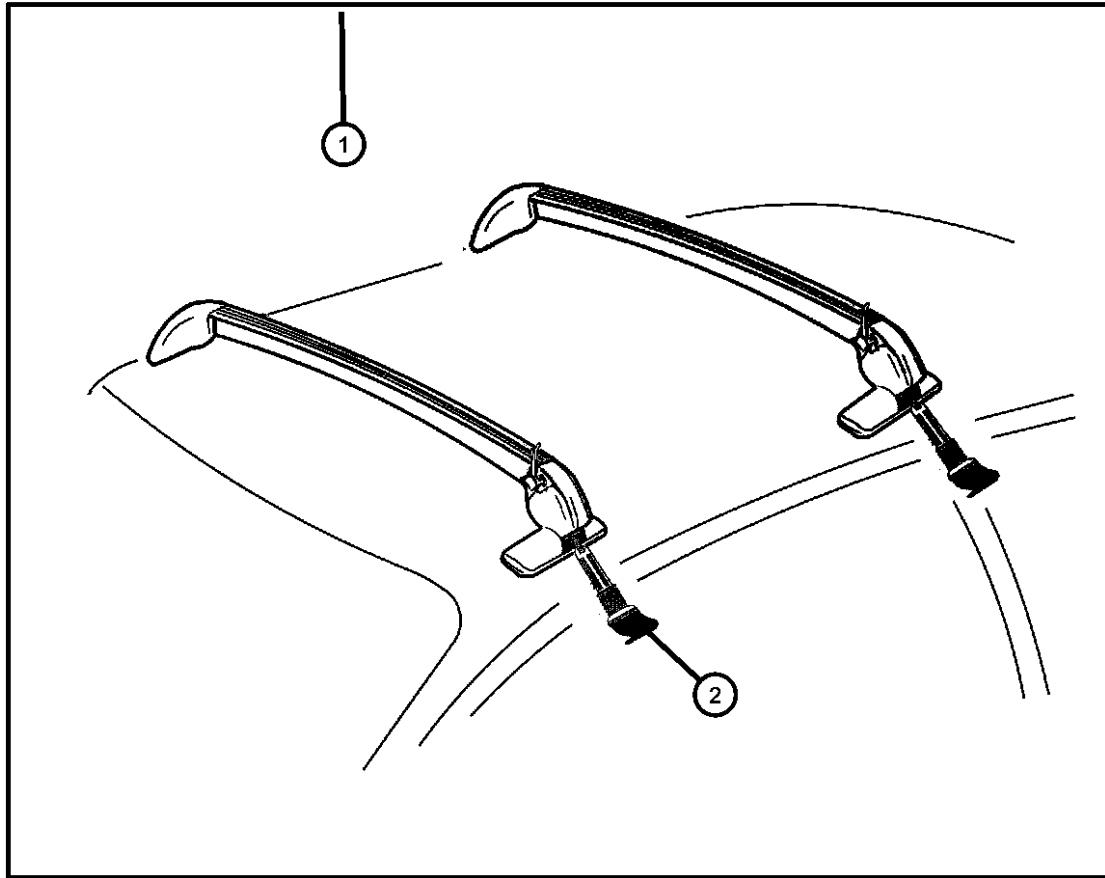
TRANSMISSION
DD5 = TRANSMISSION - 5-SPEED MANUAL
DGC = TRANSMISSION - 3-SPEED AUTOMATIC
DGL = TRANSMISSION - 4-SPD. AUTOMATIC,41TE
DGO = ALL AUTOMATICS
DBB = ALL 5 SPEED MANUAL

AR = use ase required - = Non illustrated part

2001 PL

**Roof Rack - Removable
Figure 1-205**

ITEM	PART NUMBER	QTY	LINE	SERIES	BODY	ENGINE	TRANS	TRIM	DESCRIPTION
1	82204798	1			41				RACK KIT, Roof - Removable
2	05019509AA	1							STRAP, Roof Rack, Consists of: 1-steel strap



NEON (US) SX 2.0 (CANADA) (PL)

SERIES LINE
H = HIGHLINE D = DODGE
L = LOWLINE P = PLYMOUTH
 Z = CHRYSLER, RHD
 D = CHRYSLER

BODY
41 = SEDAN/QUAD CAB
SWB

ENGINE
EBD = Engine - 1.8L 4 Cyl
SOHC 16V SEFI
ECB = ENGINE - 2.0L 4 CYL
SOHC 16V SMPI
ECH = ENGINE - 2.0L 4 CYL
SOHC 16V HI PERF
EJD = Engine - 1.6L 4 Cyl
SOHC 16V SMPI
ECO = 2.0L 4CYL. 16V SMPI
ECO = 2.0L 4CYL. 16V SOHC
EJO = 1.6L 4 CYL 16V SOHC
EBO = 1.8L 4 CYL 16V SEF

TRANSMISSION
DD5 = TRANSMISSION - 5-SPEED
MANUAL
DGC = TRANSMISSION - 3-SPEED
AUTOMATIC
DGL = TRANSMISSION - 4-SPD.
AUTOMATIC,41TE
DGO = ALL AUTOMATICS
DBB = ALL 5 SPEED MANUAL

AR = use ase required - = Non illustrated part

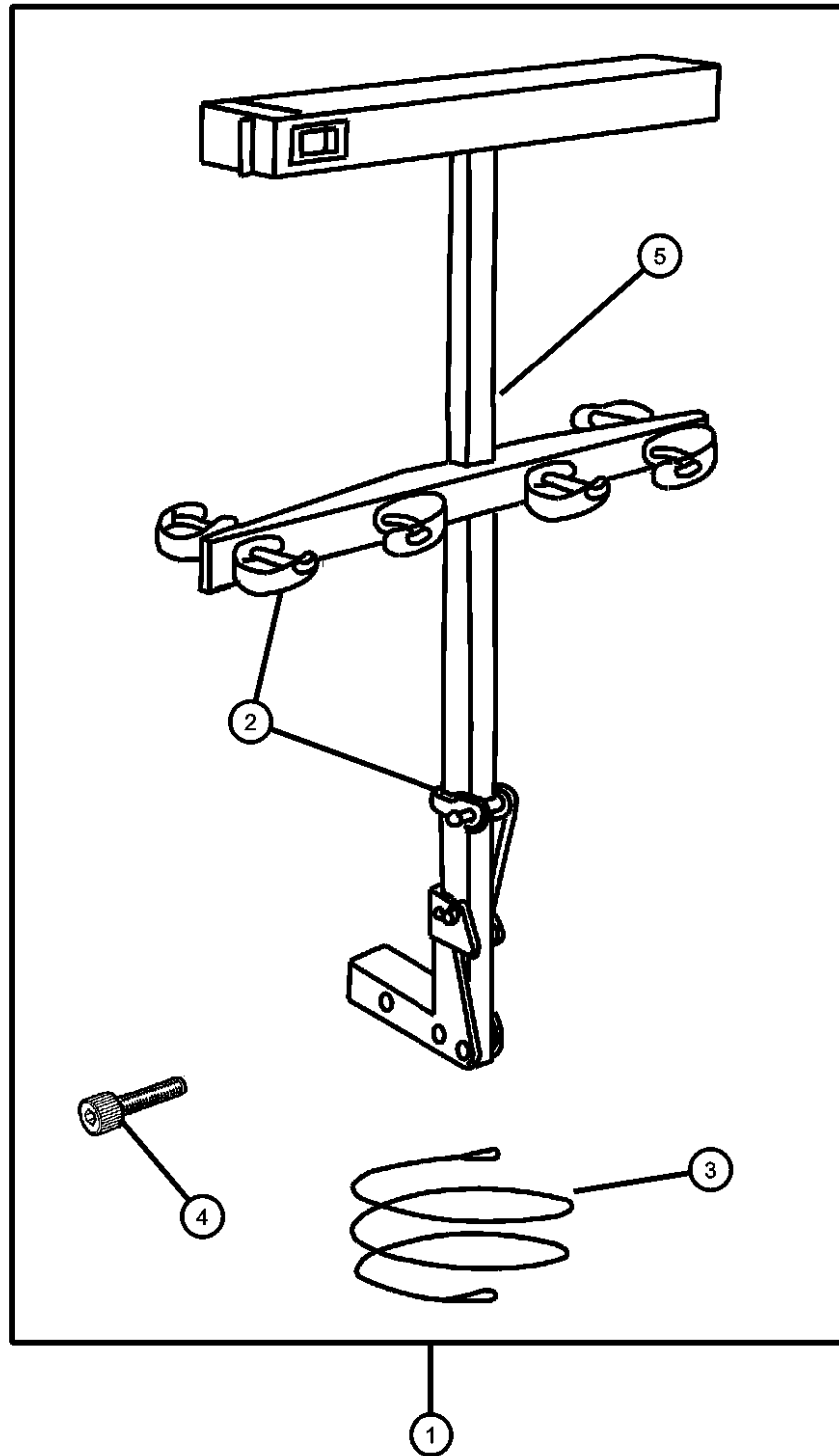
2001 PL

Ski Carrier - Hitch Mount
Figure 1-220

ITEM	PART NUMBER	QTY	LINE	SERIES	BODY	ENGINE	TRANS	TRIM	DESCRIPTION
------	-------------	-----	------	--------	------	--------	-------	------	-------------

NOTE: For use with a 1.25' Hitch Receiver.

1	82204454	1	D, P		41				CARRIER KIT, Ski - 4 Pair
2	05016775AA	1	D, P		41				STRAP KIT, Bike Carrier Latch, Consists of: 2- Rubber Straps
3	04762882	1	D, P		41				LOCK KIT, Bike Carrier Handle
4	05016776AA	1	D, P		41				BOLT KIT, Security
5	05016610AA	1	D, P		41				HARDWARE KIT, Accessory, T-Handle



NEON (US) SX 2.0 (CANADA) (PL)
 SERIES LINE
 H = HIGHLINE D = DODGE
 L = LOWLINE P = PLYMOUTH
 Z = CHRYSLER, RHD
 D = CHRYSLER

BODY
 41 = SEDAN/QUAD CAB
 SWB

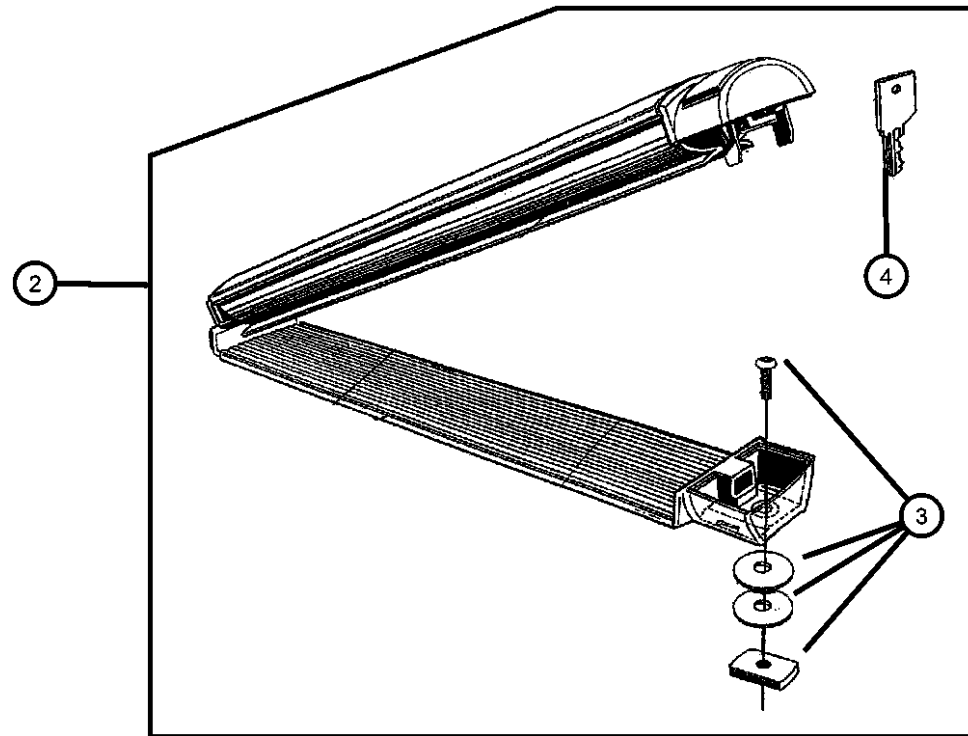
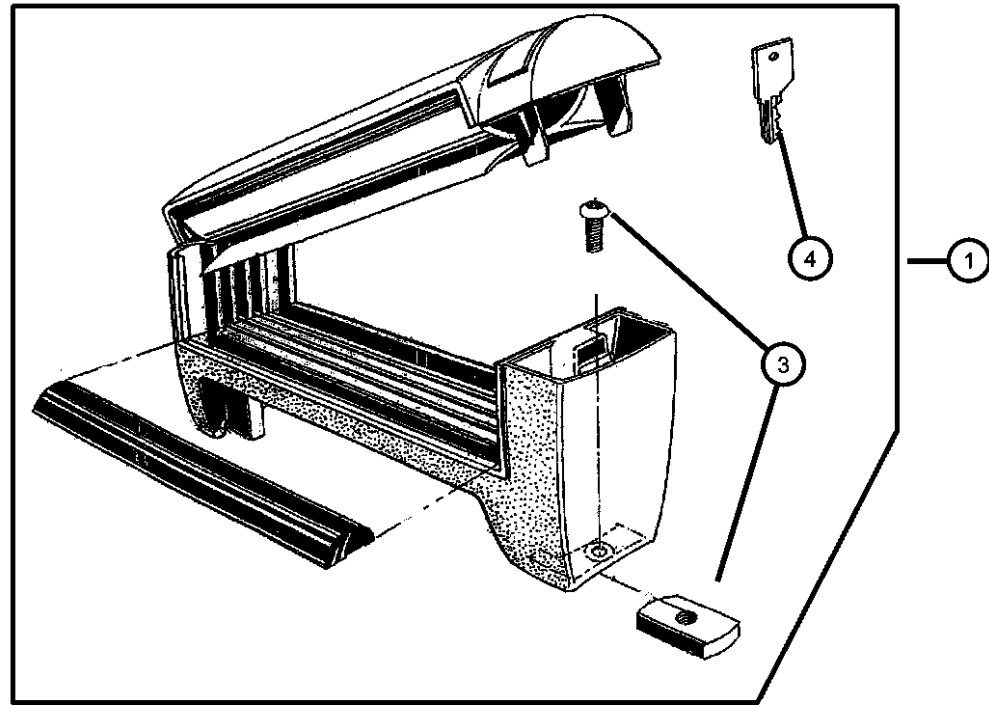
ENGINE
 EBD = Engine - 1.8L 4 Cyl
 SOHC 16V SEFI
 ECB = ENGINE - 2.0L 4 CYL
 SOHC 16V SMPI
 ECH = ENGINE - 2.0L 4 CYL
 SOHC 16V HI PERF
 EJD = Engine - 1.6L 4 Cyl
 SOHC 16V SMPI
 ECO = 2.0L 4CYL. 16V SMPI
 ECO = 2.0L 4CYL. 16V SOHC
 EJO = 1.6L 4 CYL 16V SOHC
 EBO = 1.8L 4 CYL 16V SEF

TRANSMISSION
 DD5 = TRANSMISSION - 5-SPEED
 MANUAL
 DGC = TRANSMISSION - 3-SPEED
 AUTOMATIC
 DGL = TRANSMISSION - 4-SPD.
 AUTOMATIC, 41TE
 DGO = ALL AUTOMATICS
 DBB = ALL 5 SPEED MANUAL

AR = use ase required - = Non illustrated part

2001 PL

Carrier Kit - Ski (Two Pair)
Figure 1-222



ITEM	PART NUMBER	QTY	LINE	SERIES	BODY	ENGINE	TRANS	TRIM	DESCRIPTION
------	-------------	-----	------	--------	------	--------	-------	------	-------------

NOTE: New keys are Vendor Ship Direct.

1	82203474	1							CARRIER KIT, Ski - 2 Pair, High Mount
2	82203472	1							CARRIER KIT, Ski
3	05018389AA	1							HARDWARE KIT, Mounting High Mount
	05019077AA	1							
4	05019077AA	1							KEY, Master, (NOT SERVICED)
-5	05016513AA	1	D, P					41	STRAP, Cargo Tie Down

NEON (US) SX 2.0 (CANADA) (PL)

SERIES LINE
H = HIGHLINE D = DODGE
L = LOWLINE P = PLYMOUTH
Z = CHRYSLER, RHD
D = CHRYSLER

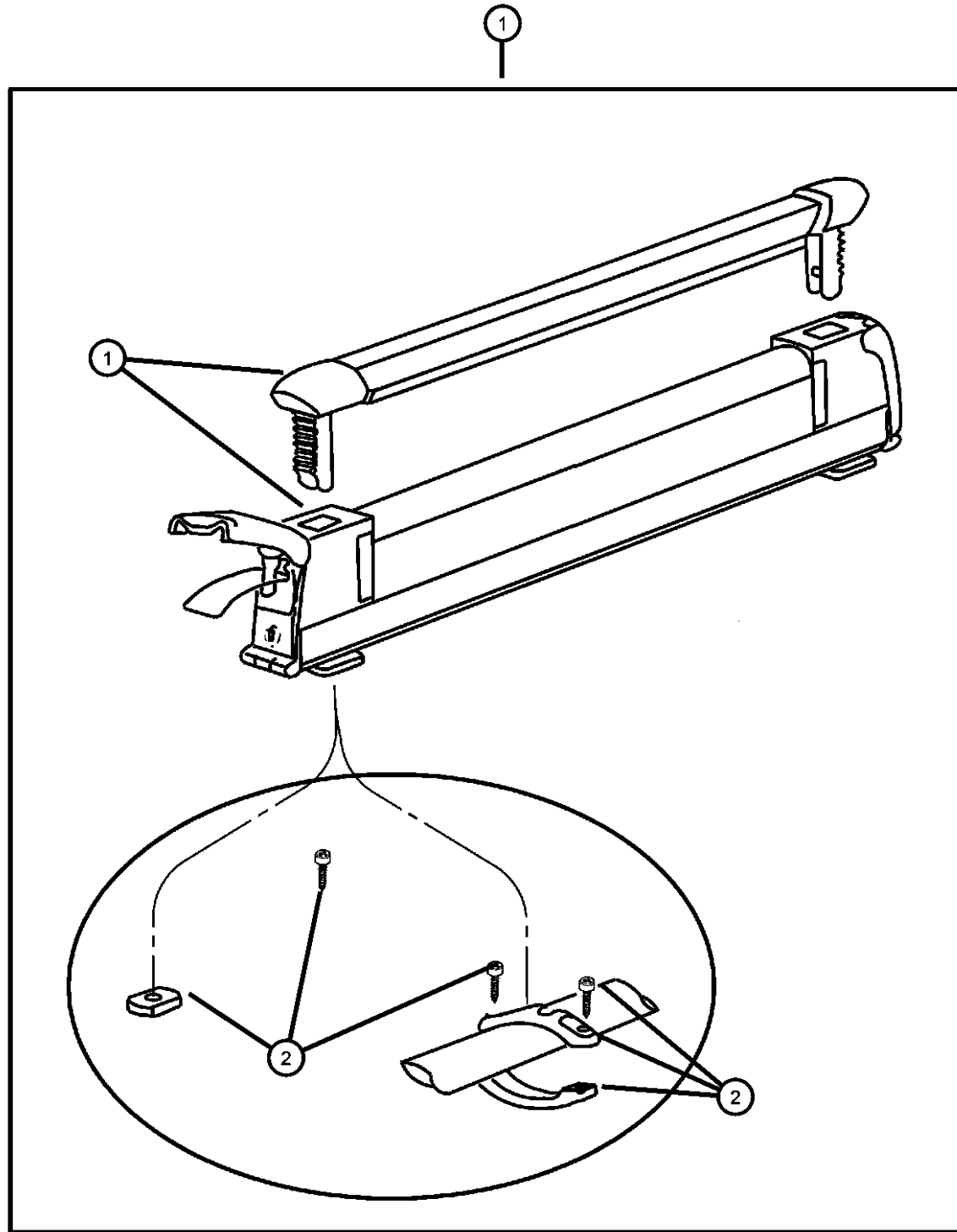
BODY
41 = SEDAN/QUAD CAB
SWB

ENGINE TRANSMISSION
EBD = Engine - 1.8L 4 Cyl
SOHC 16V SEFI DD5 = TRANSMISSION - 5-SPEED
ECB = ENGINE - 2.0L 4 CYL MANUAL
SOHC 16V SMPI DGC = TRANSMISSION - 3-SPEED
ECH = ENGINE - 2.0L 4 CYL AUTOMATIC
SOHC 16V HI PERF DGL = TRANSMISSION - 4-SPD.
EJD = Engine - 1.6L 4 Cyl AUTOMATIC,41TE
SOHC 16V SMPI DGO = ALL AUTOMATICS
ECO = 2.0L 4CYL. 16V SMPI DBB = ALL 5 SPEED MANUAL
ECO = 2.0L 4CYL. 16V SOHC
EJO = 1.6L 4 CYL 16V SOHC
EBO = 1.8L 4 CYL 16V SEF

AR = use ase required - = Non illustrated part

2001 PL

Carrier Kit- Ski (Six Pair)
Figure 1-224



ITEM	PART NUMBER	QTY	LINE	SERIES	BODY	ENGINE	TRANS	TRIM	DESCRIPTION
1	82205994	1							CARRIER KIT, Ski
2	05019362AA	1							HARDWARE KIT, Mounting

NEON (US) SX 2.0 (CANADA) (PL)

SERIES LINE
H = HIGHLINE D = DODGE
L = LOWLINE P = PLYMOUTH
Z = CHRYSLER, RHD
D = CHRYSLER

BODY
41 = SEDAN/QUAD CAB
SWB

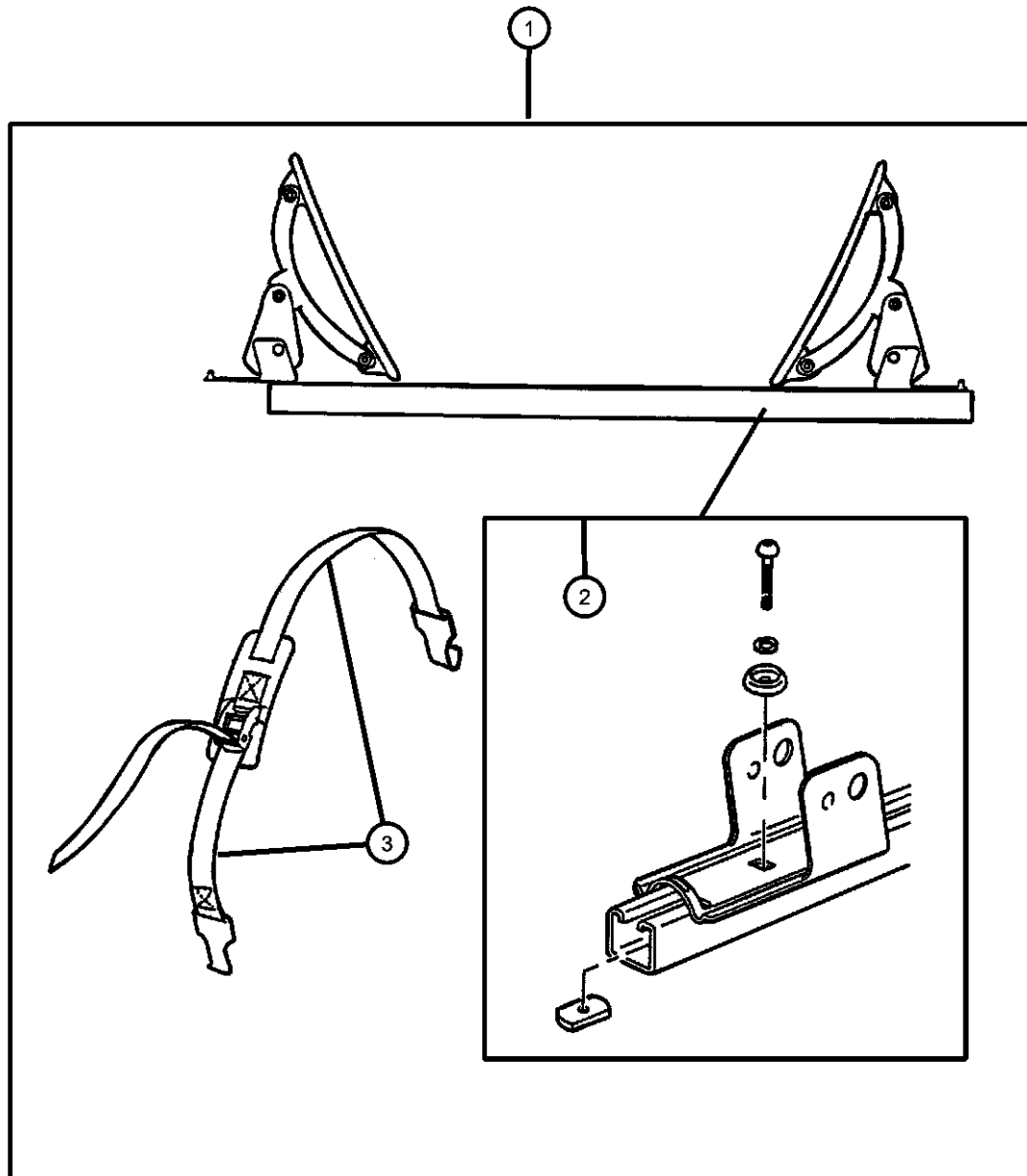
ENGINE TRANSMISSION
EBD = Engine - 1.8L 4 Cyl
SOHC 16V SEFI DD5 = TRANSMISSION - 5-SPEED
MANUAL
ECB = ENGINE - 2.0L 4 CYL
SOHC 16V SMPI DGC = TRANSMISSION - 3-SPEED
AUTOMATIC
ECH = ENGINE - 2.0L 4 CYL
SOHC 16V HI PERF DGL = TRANSMISSION - 4-SPD.
AUTOMATIC,41TE
EJD = Engine - 1.6L 4 Cyl
SOHC 16V SMPI DGO = ALL AUTOMATICS
DBB = ALL 5 SPEED MANUAL
ECO = 2.0L 4CYL. 16V SMPI
ECO = 2.0L 4CYL. 16V SOHC
EJO = 1.6L 4 CYL 16V SOHC
EBO = 1.8L 4 CYL 16V SEF

AR = use ase required - = Non illustrated part

2001 PL

Carrier Kit - Watersports
Figure 1-232

ITEM	PART NUMBER	QTY	LINE	SERIES	BODY	ENGINE	TRANS	TRIM	DESCRIPTION
1	82205416	1			41				CARRIER KIT, Water Sports
2	05016389AA	1	D, Z		41				HARDWARE KIT, Accessory
3	05016511AA	1	D, Z		41				STRAP, Cargo Tie Down



NEON (US) SX 2.0 (CANADA) (PL)

SERIES LINE
H = HIGHLINE D = DODGE
L = LOWLINE P = PLYMOUTH
Z = CHRYSLER, RHD
D = CHRYSLER

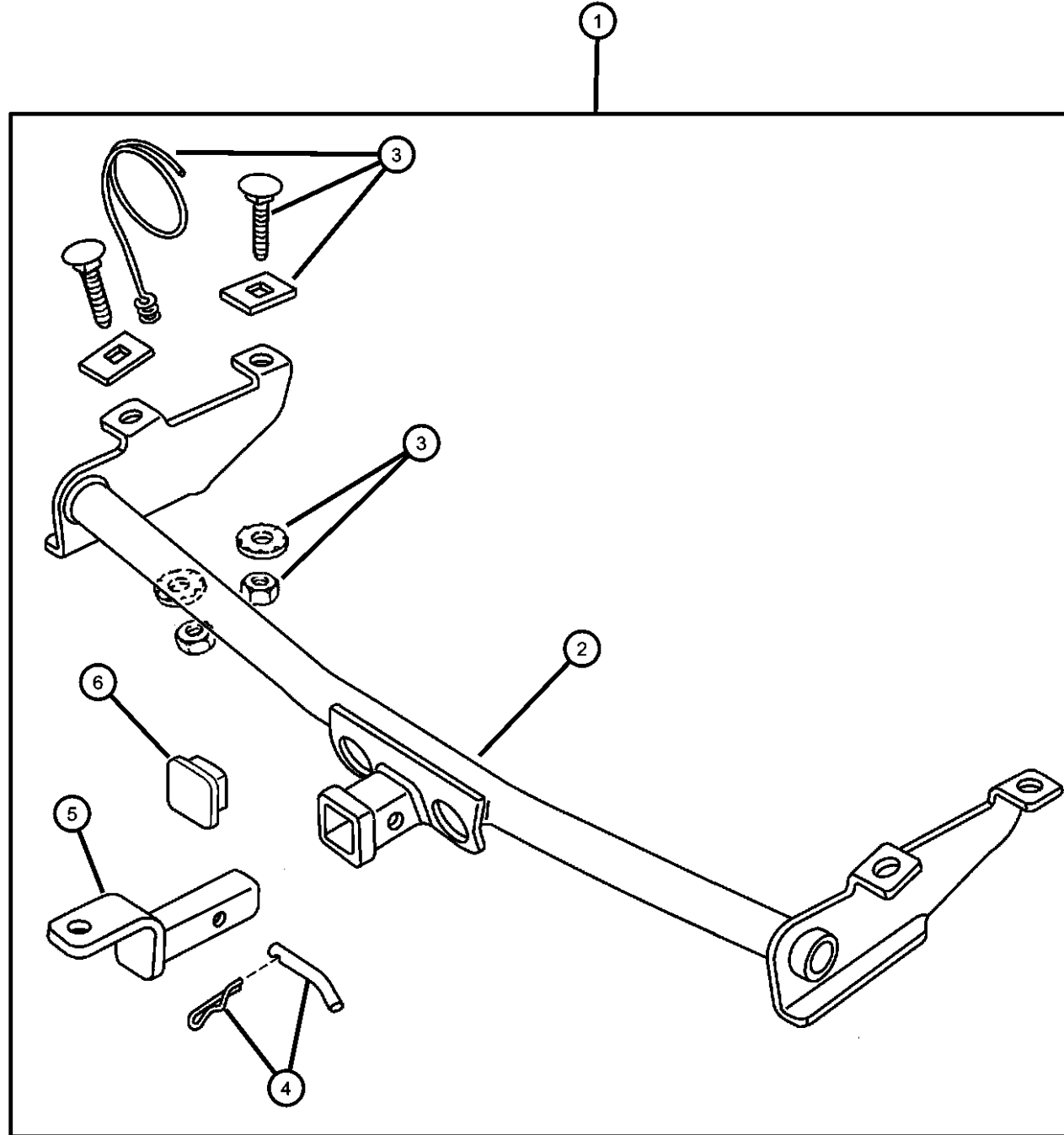
BODY
41 = SEDAN/QUAD CAB
SWB

ENGINE TRANSMISSION
EBD = Engine - 1.8L 4 Cyl DD5 = TRANSMISSION - 5-SPEED
SOHC 16V SEFI MANUAL
ECB = ENGINE - 2.0L 4 CYL DGC = TRANSMISSION - 3-SPEED
SOHC 16V SMPI AUTOMATIC
ECH = ENGINE - 2.0L 4 CYL DGL = TRANSMISSION - 4-SPD.
SOHC 16V HI PERF AUTOMATIC,41TE
EJD = Engine - 1.6L 4 Cyl DGO = ALL AUTOMATICS
SOHC 16V SMPI DBB = ALL 5 SPEED MANUAL
ECO = 2.0L 4CYL. 16V SMPI
ECO = 2.0L 4CYL. 16V SOHC
EJO = 1.6L 4 CYL 16V SOHC
EBO = 1.8L 4 CYL 16V SEF

AR = use ase required - = Non illustrated part

2001 PL

Trailer Tow
Figure 1-240



ITEM	PART NUMBER	QTY	LINE	SERIES	BODY	ENGINE	TRANS	TRIM	DESCRIPTION
1	82205890	1							RECEIVER KIT, Trailer Tow
2	82205890	1							HITCH, Trailer, (NOT SERVICED)
3	05019180AA	1							HARDWARE KIT, Hitch
4	05016666AA	1							PIN, Hitch
5	05016666AA	1							DRAWBAR, Attachment, Serviced in Kit, (NOT SERVICED)
6	05016666AA	1							COVER KIT, Trailer Tow, Serviced in Kit, (NOT SERVICED)
-7	82205158	1	D, P				41		WIRING PACKAGE, Trailer Tow, 4-Way Flat Connector

NEON (US) SX 2.0 (CANADA) (PL)

SERIES LINE
H = HIGHLINE D = DODGE
L = LOWLINE P = PLYMOUTH
Z = CHRYSLER, RHD
D = CHRYSLER

BODY
41 = SEDAN/QUAD CAB
SWB

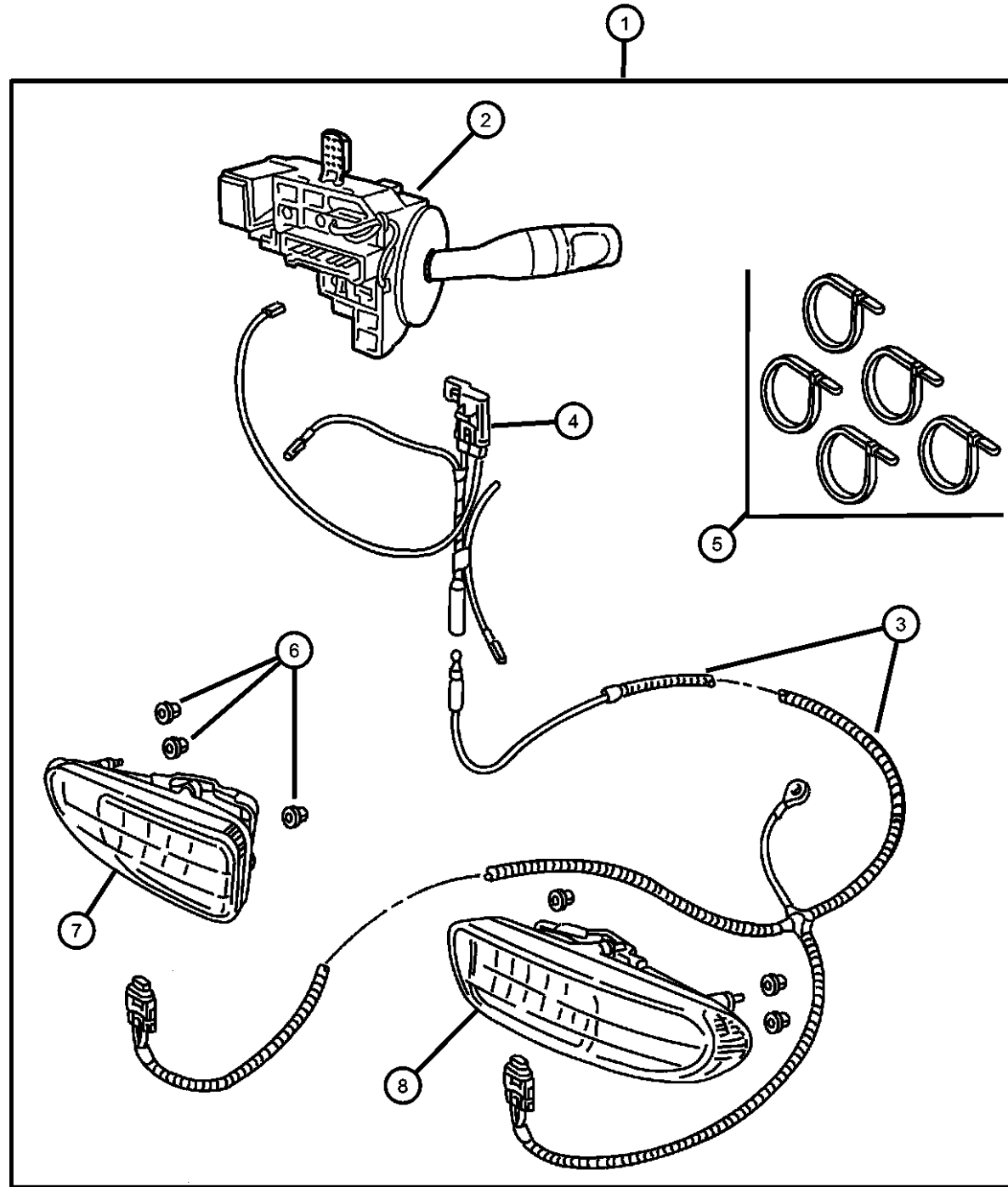
ENGINE
EBD = Engine - 1.8L 4 Cyl SOHC 16V SEFI
ECB = ENGINE - 2.0L 4 CYL SOHC 16V SMPI
ECH = ENGINE - 2.0L 4 CYL SOHC 16V HI PERF
EJD = Engine - 1.6L 4 Cyl SOHC 16V SMPI
ECO = 2.0L 4CYL. 16V SMPI
ECO = 2.0L 4CYL. 16V SOHC
EJO = 1.6L 4 CYL 16V SOHC
EBO = 1.8L 4 CYL 16V SEF

TRANSMISSION
DD5 = TRANSMISSION - 5-SPEED MANUAL
DGC = TRANSMISSION - 3-SPEED AUTOMATIC
DGL = TRANSMISSION - 4-SPD. AUTOMATIC, 41TE
DGO = ALL AUTOMATICS
DBB = ALL 5 SPEED MANUAL

AR = use ase required - = Non illustrated part

2001 PL

Fog Lamps
Figure 1-612



ITEM	PART NUMBER	QTY	LINE	SERIES	BODY	ENGINE	TRANS	TRIM	DESCRIPTION
1	82206938	1	D, P		41				LIGHT PACKAGE, Fog
2	05019569AA	1	D, P		41				SWITCH, Multifunction
3	05019569AA	1							WIRING, Fog Lamp, Serviced in Package, (NOT SERVICED)
4	05019569AA	1							WIRING, Serviced in Package, (NOT SERVICED)
5	04641780	1	D, P						STRAP, Tie, 7 inch
6	06101447	6							NUT, M6x1.0
7	05288514AB	1	D, P						LAMP, FogRight
8	05288515AB	1	D, P						LAMP, FogLeft

NEON (US) SX 2.0 (CANADA) (PL)

SERIES LINE
H = HIGHLINE D = DODGE
L = LOWLINE P = PLYMOUTH
Z = CHRYSLER, RHD
D = CHRYSLER

BODY
41 = SEDAN/QUAD CAB
SWB

ENGINE TRANSMISSION
EBD = Engine - 1.8L 4 Cyl DD5 = TRANSMISSION - 5-SPEED
SOHC 16V SEFI MANUAL
ECB = ENGINE - 2.0L 4 CYL DGC = TRANSMISSION - 3-SPEED
SOHC 16V SMPI AUTOMATIC
ECH = ENGINE - 2.0L 4 CYL DGL = TRANSMISSION - 4-SPD.
SOHC 16V HI PERF AUTOMATIC,41TE
EJD = Engine - 1.6L 4 Cyl DGO = ALL AUTOMATICS
SOHC 16V SMPI DBB = ALL 5 SPEED MANUAL
ECO = 2.0L 4CYL. 16V SMPI
ECO = 2.0L 4CYL. 16V SOHC
EJO = 1.6L 4 CYL 16V SOHC
EBO = 1.8L 4 CYL 16V SEF

AR = use ase required - = Non illustrated part

2001 PL

Group - 2

Front Suspension & Drive

Group - 2 Front Suspension & Drive

Group-Fig. No.

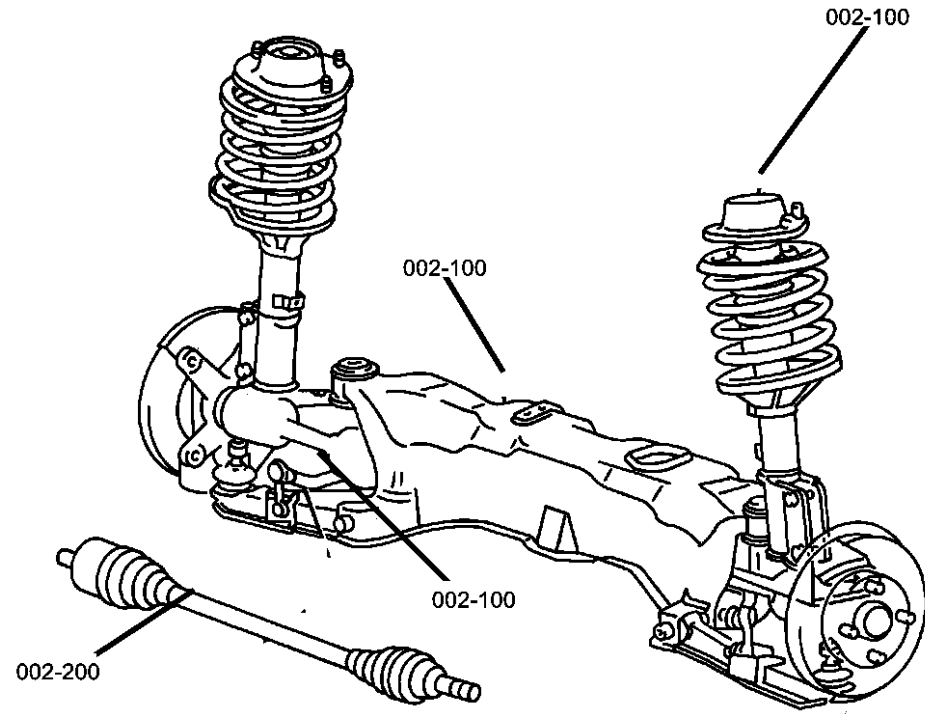
Illustration Title

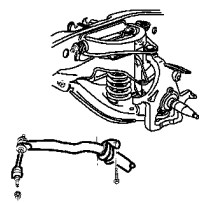
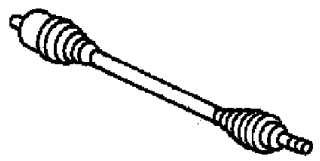
Front Suspension

Suspension, Front..... Fig. 2 - 105

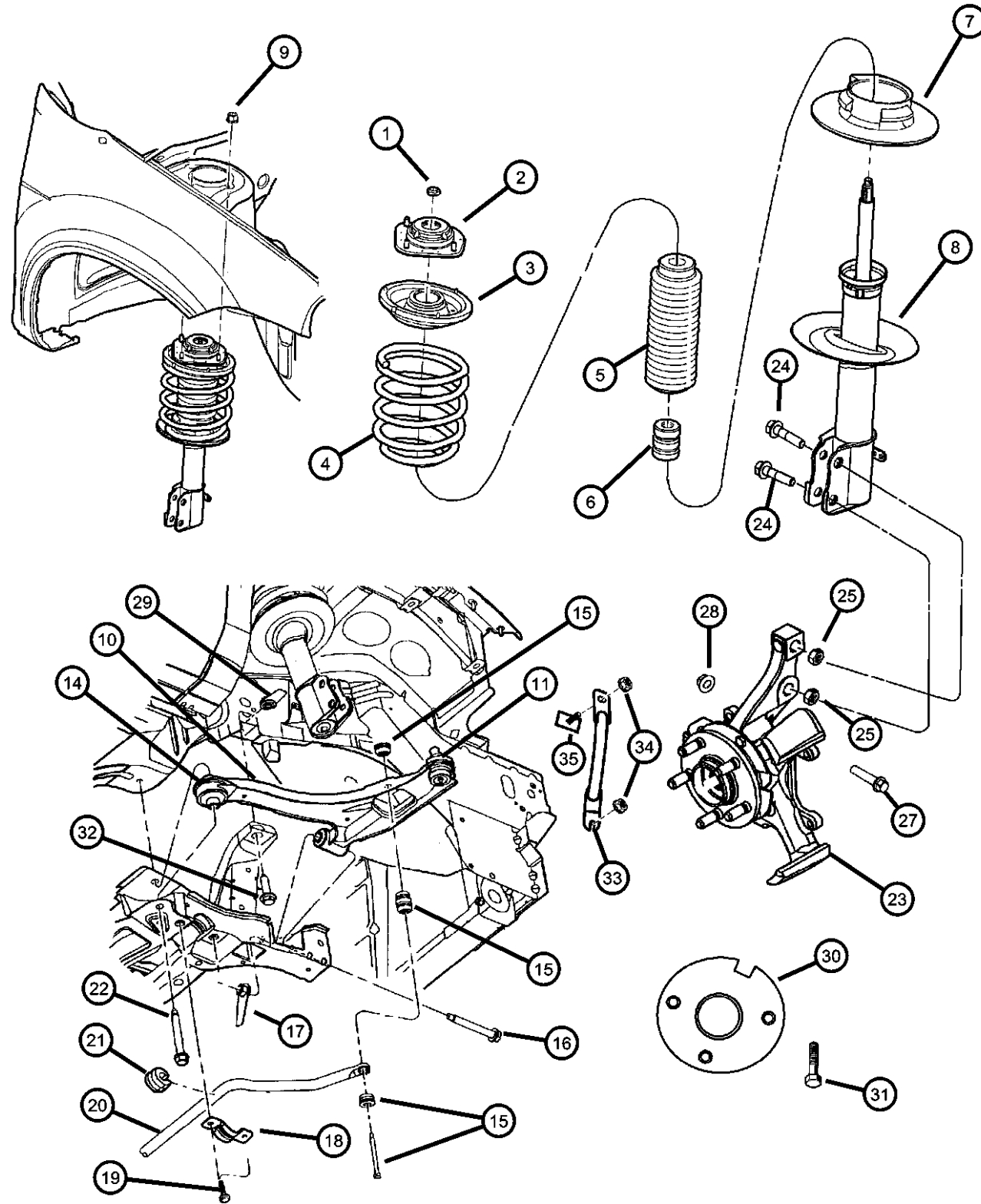
Front Axle Drive Shafts

Shaft, Front Drive Fig. 2 - 205



<p>002-100 Front Suspension</p> 	<p>002-200 Front Axle Drive Shafts</p> 		
--	---	--	--

Suspension, Front
Figure 2-105



ITEM	PART NUMBER	QTY	LINE	SERIES	BODY	ENGINE	TRANS	TRIM	DESCRIPTION
------	-------------	-----	------	--------	------	--------	-------	------	-------------

NOTE: Sales Codes
 [DD5] = TRANSMISSION - PERF. MANUAL 5-SPEED
 [DGC] = TRANSMISSION - AUTOMATIC 3-SPEED
 [DGL] = TRANSMISSION - AUTOMATIC 4-SPD, 41TE
 [SDB]=SUSPENSION - HEAVY DUTY
 [SDC]=SuspensionTOURING
 [SDE]=SUSPENSION - SPORT
 [SDF]=Suspension EURO
 [SDK]=SUSPENSION - COMPETITION
 [ZCC thur ZRJ]=Spring Group Type's Found on Individual Vehicle Sales's Code

1	06505116AA	2							NUT, M14X2
2	05272226	2							MOUNT, StrutUpper Front
3	05272227	2							SEAT AND BEARING, Suspension Strut
4									SPRING, Front Coil
	05272291AA	1							[SDE,SDK] Tag#291AA [ZEA, ZTA]
	05272292AA	1							[SDE,SDK] Tag#292AA [ZEB, ZTB]
	05272293AA	1							[SDE,SDK] Tag#293AA [ZEC, ZTC]
	05272294AA	1							[SDE,SDK] Tag#294AA [ZED, ZTD]
	05272295AA	1							[SDE,SDK] Tag#295AA [ZEE, ZTE]
	05272296AA	1							[SDE,SDK] Tag#296AA [ZEF, ZTF]
	05272603AB	1							[SDB,SDC] Tag#603AB [ZCC, ZRC]
	05272604AB	1							[SDB,SDC,SDF] Tag#604AB [ZCD, ZRD]
	05272605AB	1							[SDB,SDC,SDF,SDD] Tag#605AB [ZCE, ZRE]
	05272606AB	1							[SDB,SDC,SDF,SDD] Tag#606AB [ZCF, ZRF]
	05272607AB	1							[SDB,SDC,SDF,SDD] Tag#607AB [ZCG,ZRG]
	05272608AB	1							[SDB,SDC,SDF] Tag#608AB [ZCH,ZRH]
	05272609AB	1							[SDB,SDC,SDF] Tag#609AB [ZCJ,ZRJ]

NEON (US) SX 2.0 (CANADA) (PL)
 SERIES LINE
 H = HIGHLINE D = DODGE
 L = LOWLINE P = PLYMOUTH
 Z = CHRYSLER, RHD
 D = CHRYSLER

BODY
 41 = SEDAN/QUAD CAB
 SWB

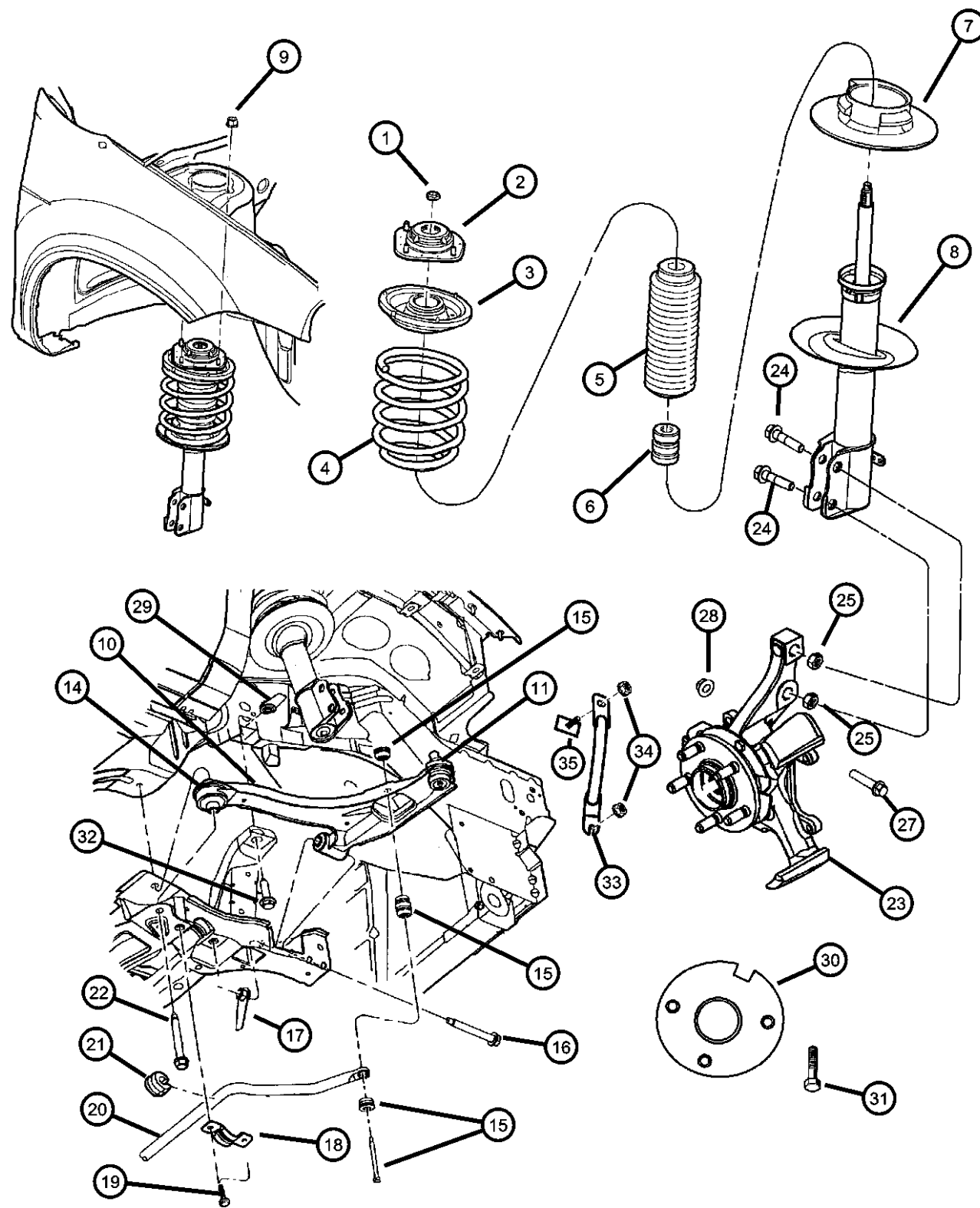
ENGINE
 EBD = Engine - 1.8L 4 Cyl SOHC 16V SEFI
 ECB = ENGINE - 2.0L 4 CYL SOHC 16V SMPI
 ECH = ENGINE - 2.0L 4 CYL SOHC 16V HI PERF
 EJD = Engine - 1.6L 4 Cyl SOHC 16V SMPI
 ECO = 2.0L 4CYL. 16V SMPI
 ECO = 2.0L 4CYL. 16V SOHC
 EJO = 1.6L 4 CYL 16V SOHC
 EBO = 1.8L 4 CYL 16V SEF

TRANSMISSION
 DD5 = TRANSMISSION - 5-SPEED MANUAL
 DGC = TRANSMISSION - 3-SPEED AUTOMATIC
 DGL = TRANSMISSION - 4-SPD. AUTOMATIC,41TE
 DGO = ALL AUTOMATICS
 DBB = ALL 5 SPEED MANUAL

AR = use ase required - = Non illustrated part

2001 PL

Suspension, Front
Figure 2-105



ITEM	PART NUMBER	QTY	LINE	SERIES	BODY	ENGINE	TRANS	TRIM	DESCRIPTION
5	04656943AB	2							SHIELD, Strut
6	05272223AC	2							BUMPER, Jounce
7	04656083	2							ISOLATOR, Spring
8	04656174AE	2	D, Z						STRUT, Front Suspension [SDF, SDB, SDD] Mopar V-Line Alternative Part
	0SG81580								[SDE]
	04656694AB	2							[SDC]
	05272325AD	2							Mopar V-Line Alternative Part
	0SG81580								[SDK]
9	06101445	6							NUT AND WASHER, Hex Nut-Coned Washer, M8 x 1.25
10	05272236AC	1							ARM, Control Right
	05272237AC	1							Left
11	04656010	1							BALL JOINT, Lower Control Arm, Less Seal Boot
-12	04694745	1							FITTING, Ball Joint, Zirc
-13	04656464AA	1							SEAL, Ball Joint
14	04656012AC	1							BUSHING, Control Arm
15	05272324AB	2							LINK, Sway Eliminator
16	06504742	2							SCREW AND WASHER, Hex Head, M14 x 2 x 115.0 NUT, M14X2
17	06505595AA	2							CLAMP, Stabilizer Bar
18	04656513AA	2							SCREW, Hex Head
19	06505622AA	4							BAR, Front Sway Export
20	04656670AA	1							
	05272327	1							CUSHION, Sway Eliminator
21	04656512AA	2							

NEON (US) SX 2.0 (CANADA) (PL)
 SERIES LINE
 H = HIGHLINE D = DODGE
 L = LOWLINE P = PLYMOUTH
 Z = CHRYSLER, RHD
 D = CHRYSLER

BODY
 41 = SEDAN/QUAD CAB
 SWB

ENGINE
 EBD = Engine - 1.8L 4 Cyl
 SOHC 16V SEFI
 ECB = ENGINE - 2.0L 4 CYL
 SOHC 16V SMPI
 ECH = ENGINE - 2.0L 4 CYL
 SOHC 16V HI PERF
 EJD = Engine - 1.6L 4 Cyl
 SOHC 16V SMPI
 ECO = 2.0L 4CYL. 16V SMPI
 ECO = 2.0L 4CYL. 16V SOHC
 EJO = 1.6L 4 CYL 16V SOHC
 EBO = 1.8L 4 CYL 16V SEF

TRANSMISSION
 DD5 = TRANSMISSION - 5-SPEED
 MANUAL
 DGC = TRANSMISSION - 3-SPEED
 AUTOMATIC
 DGL = TRANSMISSION - 4-SPD.
 AUTOMATIC,41TE
 DGO = ALL AUTOMATICS
 DBB = ALL 5 SPEED MANUAL

AR = use ase required - = Non illustrated part