

## VIN PLATE DECODING INFORMATION

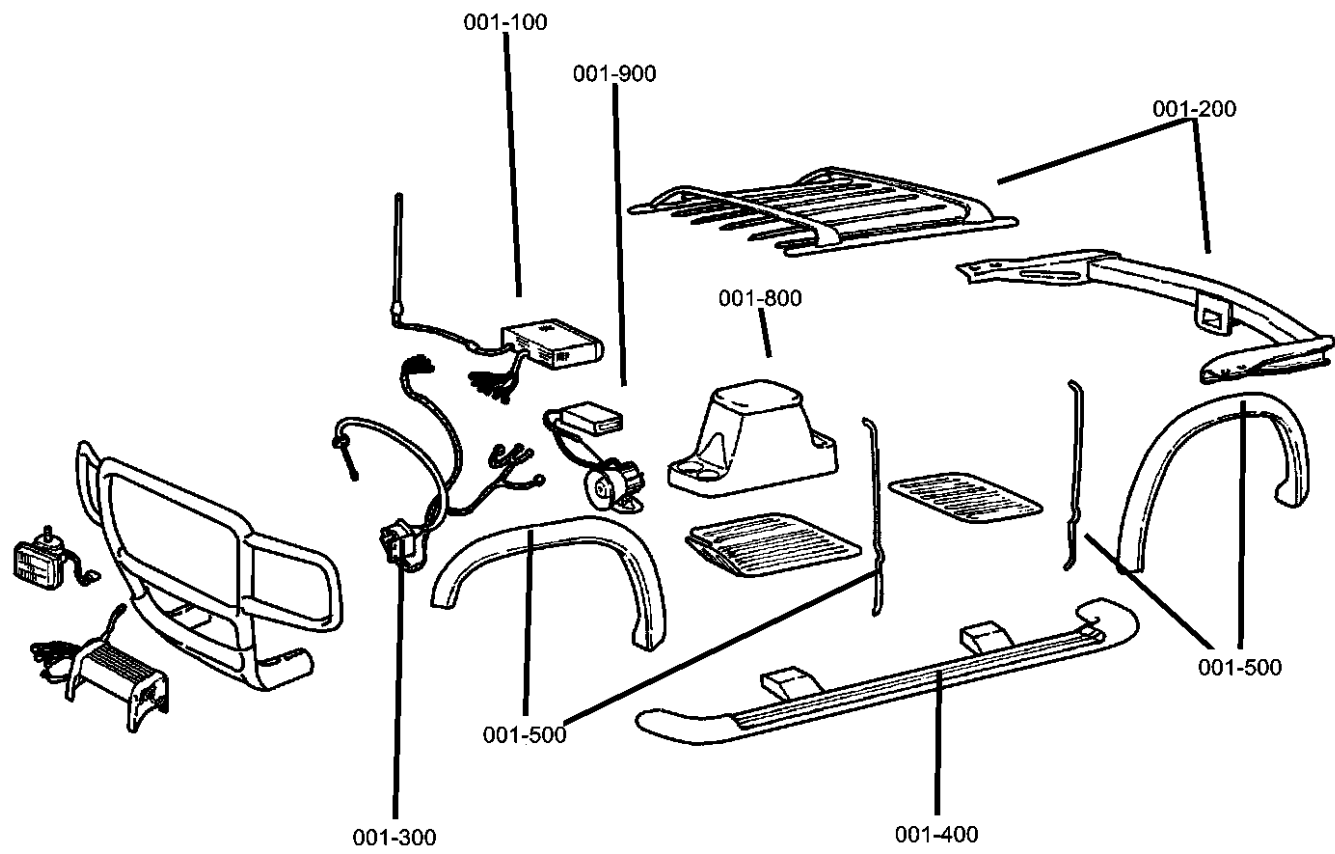
1	2	3	4	5	6	7	8	9	10	11	12 thru 17
Country	Make	Vehicle Type	Other	Line	Series	Body Style	Engine	Check Digit	Model Year	Assy. Plant	Sequence No.

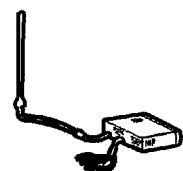
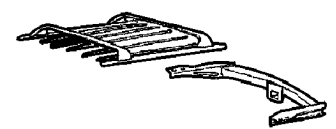


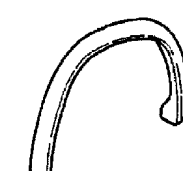

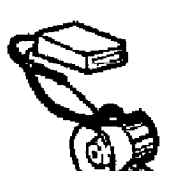
The following table interprets the VIN Plate position shown above.

Position	Interpretation	Codes = Description
1	Country of Origin	1 = Built in U.S. by DaimlerChrysler Corporation 2 = Built in Canada by DaimlerChrysler Canada Inc.
2	Assembler	B = Dodge C = Chrysler
3	Vehicle Type	4 = Multipurpose Passenger Vehicle With Side Air Bags
4	GVWR & Pass. Safety	F = 1815 - 2267 kg (4001 - 5000 lbs) G = 2268 - 2721 kg (5001 - 6000 lbs) H = 2722 - 3175 kg (6001 - 7000 lbs)
5	Vehicle Line	1 = Caravan - FWD (Chrysler) J = Voyager/Grand Voyager FWD (Chrysler) P = Caravan/Grand Caravan FWD (Dodge) P = Town & Country - FWD/AWD (Chrysler) T = Grand Caravan AWD (Dodge) T = Town & Country - FWD/AWD (Chrysler)
6	Series	H = LX, Sport L = Base P = LXI, ES S = Limited
7	Body Style	4 = RS-53 5 = RS-52
8	Engine	B = 2.4L 4 Cyl. 16V DOHC (EDZ) G = 3.3L 6 Cyl. Ethanol Flex Fuel (EGM) L = 3.8L 6 Cyl. MPI (EGH) R = 3.3L 6 Cyl. (SMPI) (EGA)
9	Check Digit	0 = Check Digit 0 = Check Digit
10	Model Year	1 = 2001
11	Assembly Plant	B = St. Louis Assembly South R = Windsor Assembly
12 thru 17	Vehicle Build Sequence	Model Year Assembly Sequence

# Group - 1

## Component Parts for Mopar Accessories



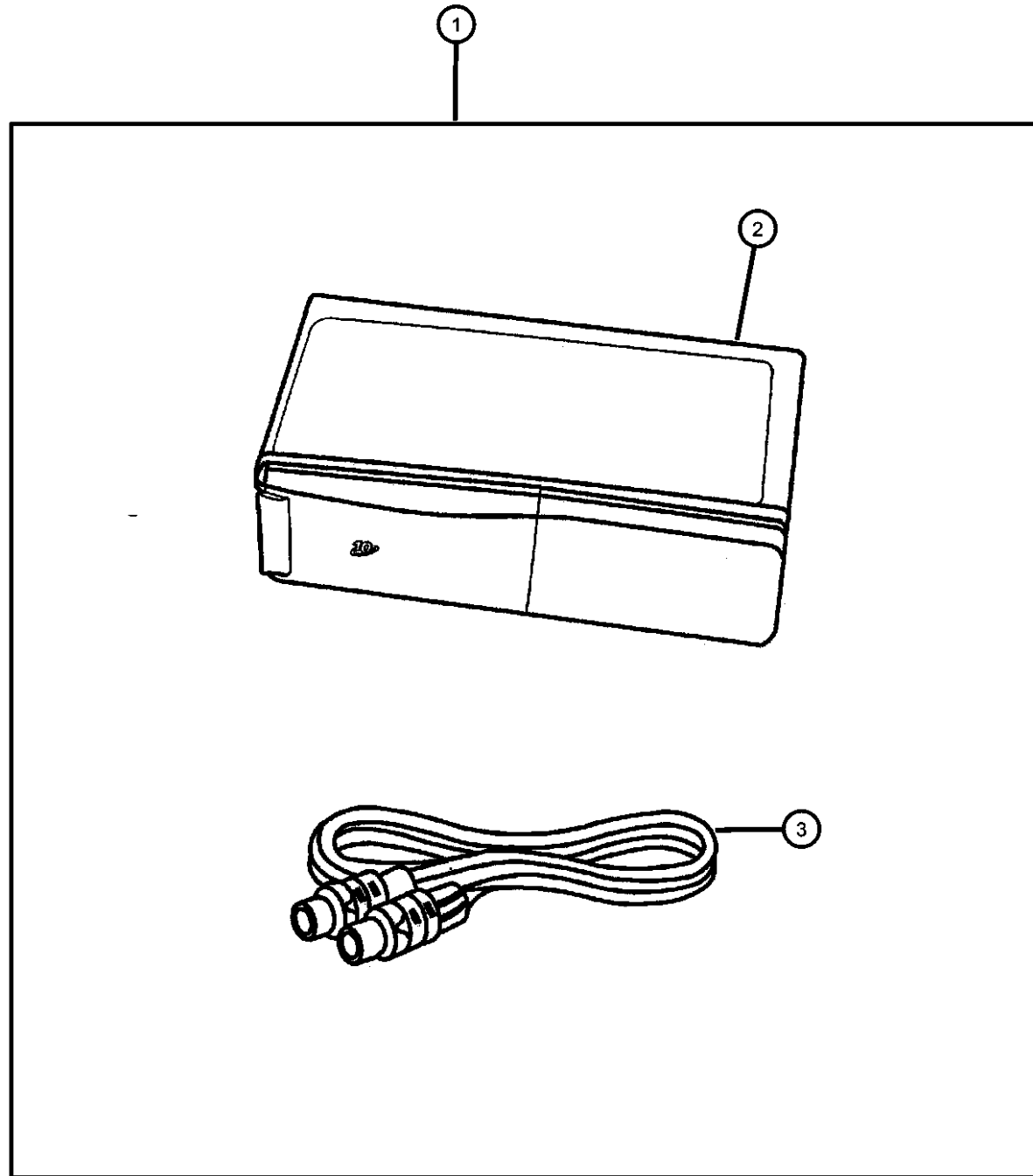
<p><b>001-100</b> Audio &amp; Electronics</p> 	<p><b>001-200</b> Carriers &amp; Cargo Hauling</p> 	<p><b>001-300</b> Driving Convenience</p> 	<p><b>001-400</b> Exterior Appearance</p> 
<p><b>001-500</b> Exterior Protection</p> 	<p><b>001-800</b> Interior Storage</p> 	<p><b>001-900</b> Security</p> 	

---

## Group - 1 Component Parts for Mopar Accessories

Illustration Title	Group-Fig. No.
<b>Audio &amp; Electronics</b>	
Player Kit - CD Changer - 4 Disc.....	Fig. 1 - 110
Navigation Kit.....	Fig. 1 - 130
Entertainment System - Rear Seat Video .....	Fig. 1 - 140
<b>Carriers &amp; Cargo Hauling</b>	
Bike Carrier - Hitch Mount .....	Fig. 1 - 210
Bike Carrier - Hitch Mount .....	Fig. 1 - 212
Bike Carrier - Roof Mount .....	Fig. 1 - 214
Bike Carrier - Roof Mount .....	Fig. 1 - 216
Carrier Kit - Ski ( 4 Pair) .....	Fig. 1 - 220
Carrier Kit - Canoe .....	Fig. 1 - 230
Carrier Kit - Water Sports.....	Fig. 1 - 232
Carrier Kit - Basket Type.....	Fig. 1 - 260
Carrier Kit - Multipurpose .....	Fig. 1 - 270
Luggage Carrier - Roof Mount .....	Fig. 1 - 272
Trailer Tow Harness.....	Fig. 1 - 290
<b>Driving Convenience</b>	
Mounting Kit - Cellular Phone .....	Fig. 1 - 330
<b>Exterior Appearance</b>	
Running Boards .....	Fig. 1 - 430
<b>Exterior Protection</b>	
Shield Kit - Air Front.....	Fig. 1 - 520
<b>Interior Storage</b>	
Console - Center .....	Fig. 1 - 810
<b>Security</b>	
Alarm - EVS II.....	Fig. 1 - 910
Alarm - EVS II.....	Fig. 1 - 912
Alarm - EVS II.....	Fig. 1 - 914
Module Package - Keyless Entry .....	Fig. 1 - 922

Player Kit - CD Changer - 4 Disc  
Figure 1-110



ITEM	PART NUMBER	QTY	LINE	SERIES	BODY	ENGINE	TRANS	TRIM	DESCRIPTION
1	82206633	1							PLAYER PACKAGE, CD Changer - 4 Disc
2	56038531AD	1							CHANGER, CD, Serviced in package only
3	04685846AA	1							CABLE, CD Changer

CARAVAN, VOYAGER, TOWN AND COUNTRY (RS)

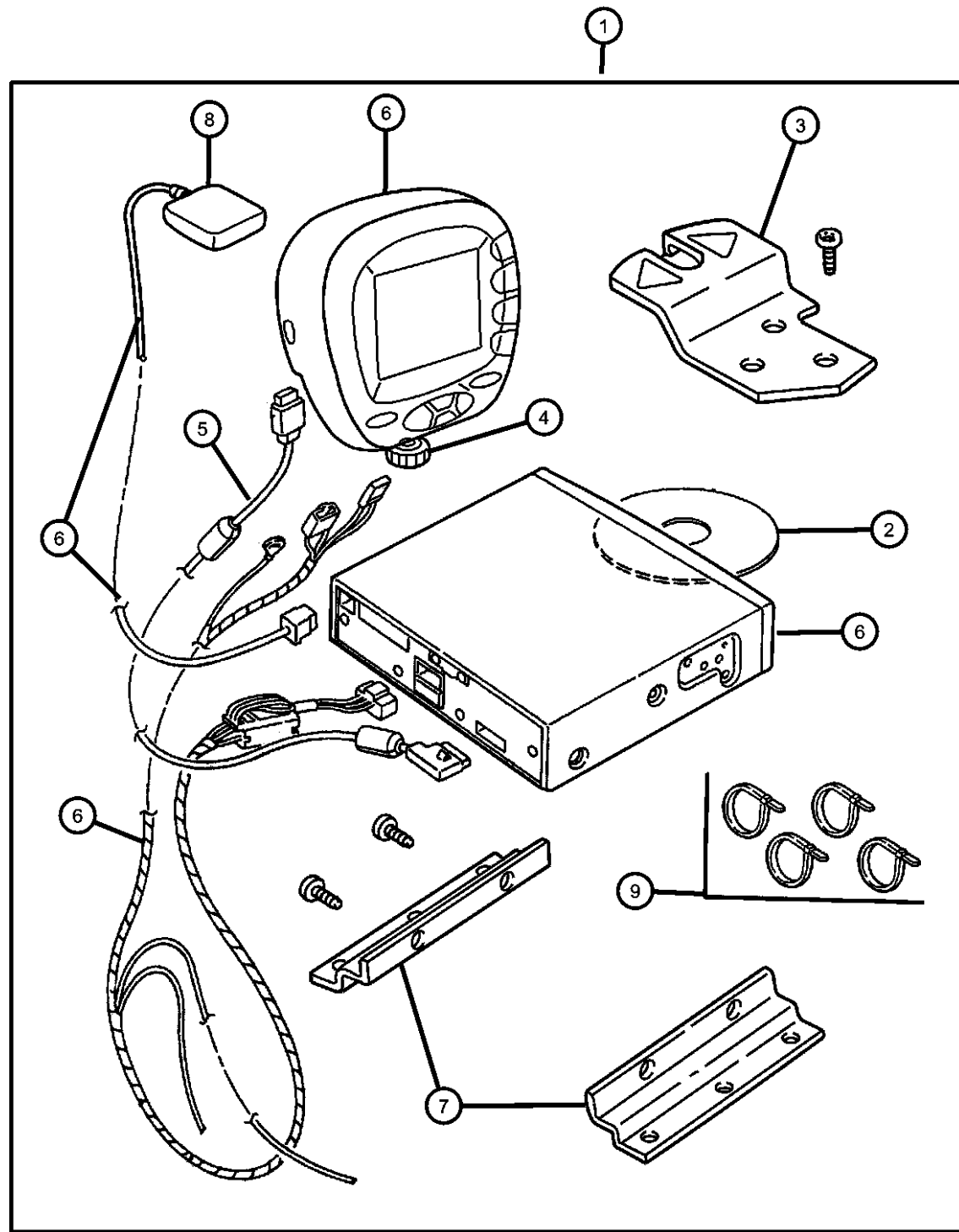
SERIES	LINE	BODY
L = Base/SE	C = CHRYSLER	52 = 113 WB
H = LX, Sport	Y = CHRYSLER	53 = 119 WB
P = LXI, ES	D = DODGE	
S = Limited	K = DODGE	

ENGINE	TRANSMISSION
EDZ = ENGINE - 2.4L 4 CYL DOHC 16V SMPI	DGL = TRANSMISSION - 4-SPD. AUTOMATIC,41TE
EGA = Engine - 3.3L V6 SMPI	DGC = TRANSMISSION - 3-SPEED AUTOMATIC
EGH = ENGINE - 3.8L V6 SMPI	DGO = ALL AUTOMATIC TRANSMISSIONS
EGM = ENGINE - 3.3L V6 SMPI FFV	

AR = use ase required - = Non illustrated part

2001 RS

Navigation Kit  
Figure 1-130



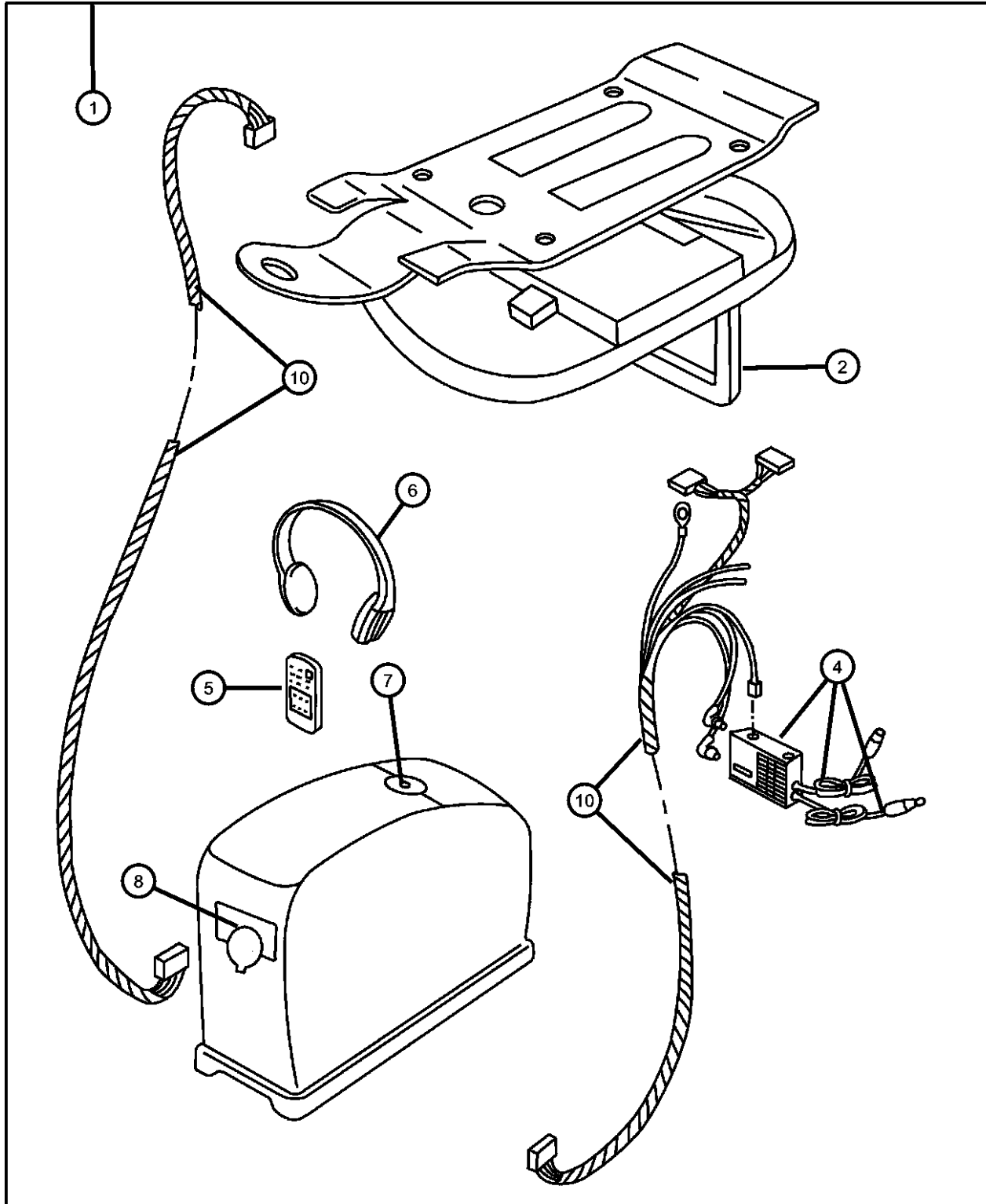
ITEM	PART NUMBER	QTY	LINE	SERIES	BODY	ENGINE	TRANS	TRIM	DESCRIPTION
1	82206634	1							NAVIGATION KIT, Vehicle Western
	82206635	1							Central
	82206636	1							Eastern
2	05017415AB	1							COMPACT DISC, Navigation Western
	05017416AB	1							Central
	05017417AB	1							Eastern
3	05066412AA	1							BRACKET, Navigation Display
4	05019727AA	1							SCREW, Thumb
5	05017433AA	1							WIRING, Navigation Display
6	82206405	1							NAVIGATION KIT, Generic System
7	82206706	1							INSTALL KIT, Vehicle Navigation System
8	05017420AA	1							ANTENNA, Global Positioning
9	05017420AA	1							STRAP, Tie, (NOT SERVICED)

CARAVAN, VOYAGER, TOWN AND COUNTRY (RS)

SERIES	LINE	BODY	ENGINE	TRANSMISSION
L = Base/SE	C = CHRYSLER	52 = 113 WB	EDZ = ENGINE - 2.4L 4 CYL DOHC 16V SMPI	DGL = TRANSMISSION - 4-SPD. AUTOMATIC,41TE
H = LX, Sport	Y = CHRYSLER	53 = 119 WB	EGA = Engine - 3.3L V6 SMPI	DGC = TRANSMISSION - 3-SPEED AUTOMATIC
P = LXI, ES	D = DODGE		EGH = ENGINE - 3.8L V6 SMPI	DGO = ALL AUTOMATIC TRANSMISSIONS
S = Limited	K = DODGE		EGM = ENGINE - 3.3L V6 SMPI FFV	

AR = use ase required - = Non illustrated part

**Entertainment System - Rear Seat Video  
Figure 1-140**



ITEM	PART NUMBER	QTY	LINE	SERIES	BODY	ENGINE	TRANS	TRIM	DESCRIPTION
1									MEDIA SYSTEM, Monitor with VCR
	82206268	1							Taupe [L5]
	82206269	1							Sandstone
	82206270	1							Navy Blue [QL]
2	05017497AB	1							MONITOR, Media System
-3	05017498AA	1							PLAYER, Video Cassette
4	05017499AA	1							MODULATOR, FM, Consists of: Infrared Receiver and Pigtail Wire Assy.
5	05017500AA	1							REMOTE, Wireless Infrared
6	05017501AA	1							HEADPHONES, Wireless Infrared
7	05018365AA	1							LATCH, Console Lock
8	05018371AA	1							SWITCH, Speaker
-9	05018372AA	1							MODULE, Audio Control, Rear seat control has plugs for Video Game, Headphone Jacks and Infrared Receiver for controlling the VCR.
10	05019717AA	1							WIRING KIT, Multimedia System

**CARAVAN, VOYAGER, TOWN AND COUNTRY (RS)**

SERIES	LINE	BODY
L = Base/SE	C = CHRYSLER	52 = 113 WB
H = LX, Sport	Y = CHRYSLER	53 = 119 WB
P = LXI, ES	D = DODGE	
S = Limited	K = DODGE	

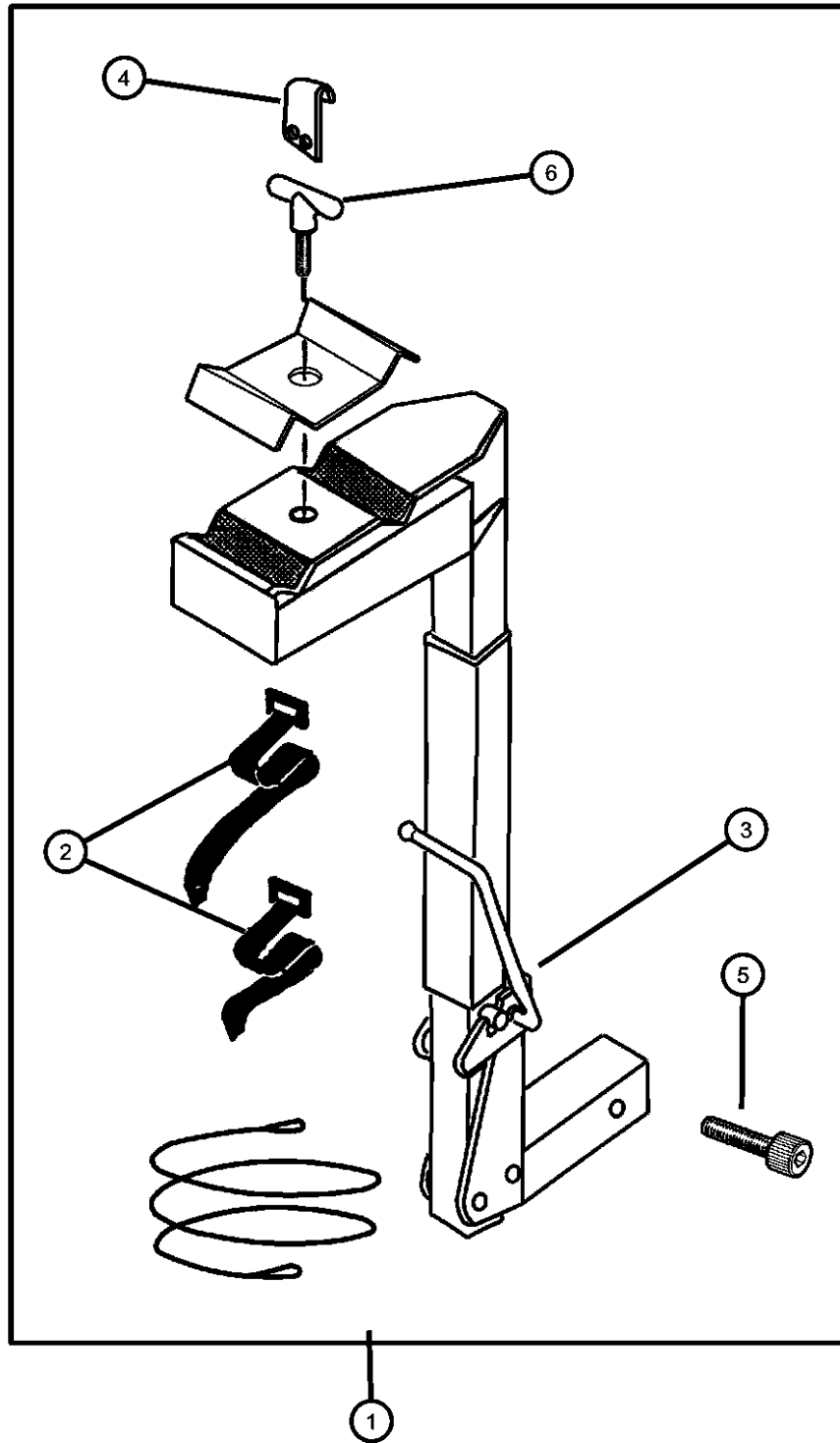
ENGINE	TRANSMISSION
EDZ = ENGINE - 2.4L 4 CYL DOHC 16V SMPI	DGL = TRANSMISSION - 4-SPD. AUTOMATIC,41TE
EGA = Engine - 3.3L V6 SMPI	DGC = TRANSMISSION - 3-SPEED AUTOMATIC
EGH = ENGINE - 3.8L V6 SMPI	DGO = ALL AUTOMATIC TRANSMISSIONS
EGM = ENGINE - 3.3L V6 SMPI FFV	

AR = use ase required - = Non illustrated part

**Bike Carrier - Hitch Mount**  
**Figure 1-210**

ITEM	PART NUMBER	QTY	LINE	SERIES	BODY	ENGINE	TRANS	TRIM	DESCRIPTION
------	-------------	-----	------	--------	------	--------	-------	------	-------------

NOTE: Folds down for access to rear deck, has anti theft bolts.



1									CARRIER KIT, Bike, Two Bike
	82204452	1							Used with 1.25 inch receiver
	82204453	1							Used with 2 inch receiver
2	04762880	1							STRAP KIT, Velcro, Contains: 1 - Long and 1 - Short
3	05016775AA	1							STRAP KIT, Bike Carrier Latch, Contains: 2 - Rubber Straps
4	04762882	1							LOCK KIT, Bike Carrier Handle
5									BOLT KIT, Security
	05016774AA	1							Used with 1.25 inch receiver
	05016776AA	1							Used with 2 inch receiver
6									HARDWARE KIT, Accessory
	05016610AA	1							T - Handle Used with 1.25 inch receiver
	05016657AA	1							T - Handle Used with 2 inch receiver

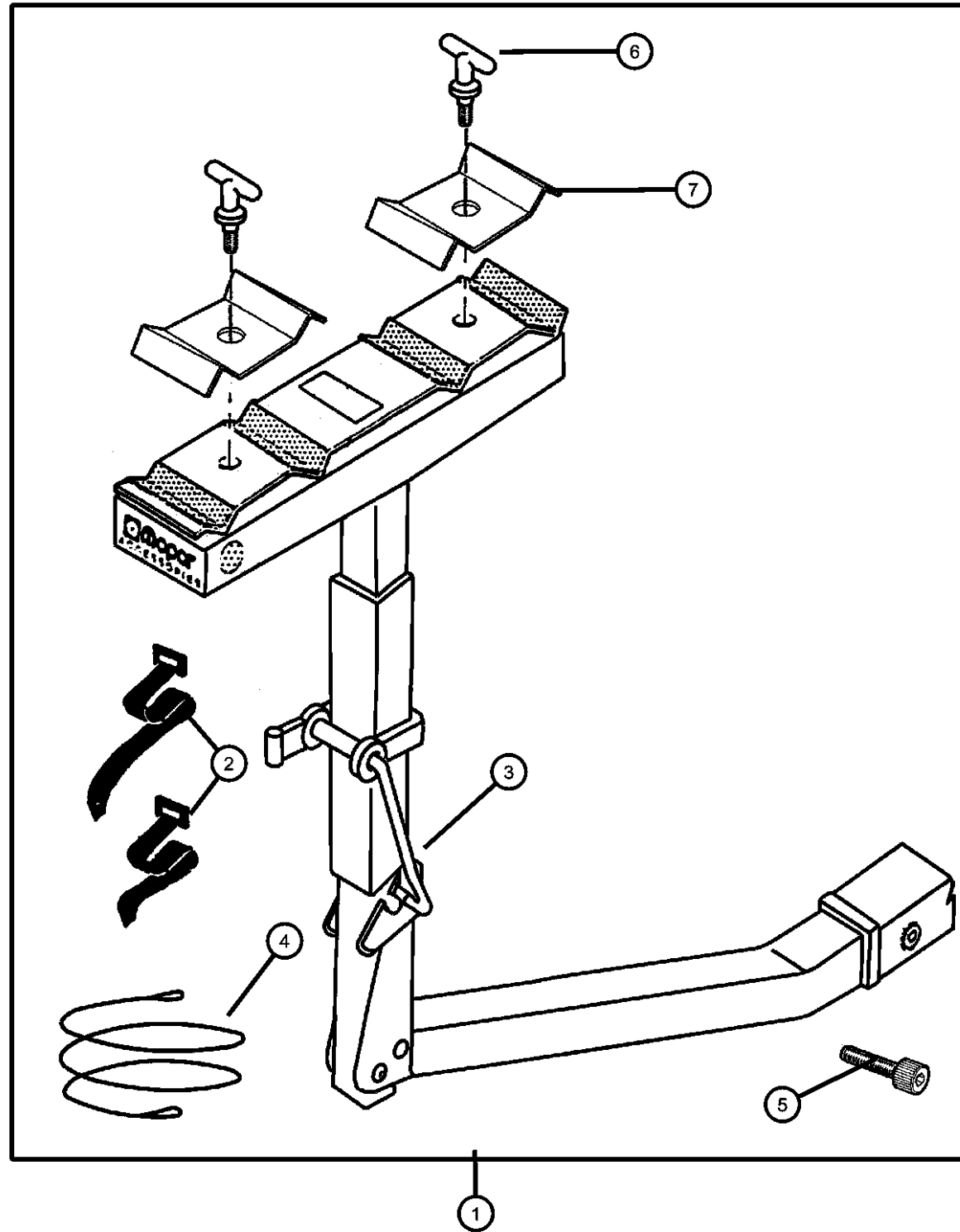
**CARAVAN, VOYAGER, TOWN AND COUNTRY (RS)**

SERIES	LINE	BODY	ENGINE	TRANSMISSION
L = Base/SE	C = CHRYSLER	52 = 113 WB	EDZ = ENGINE - 2.4L 4 CYL DOHC 16V SMPI	DGL = TRANSMISSION - 4-SPD. AUTOMATIC,41TE
H = LX, Sport	Y = CHRYSLER	53 = 119 WB	EGA = Engine - 3.3L V6 SMPI	DGC = TRANSMISSION - 3-SPEED AUTOMATIC
P = LXI, ES	D = DODGE		EGH = ENGINE - 3.8L V6 SMPI	DGO = ALL AUTOMATIC TRANSMISSIONS
S = Limited	K = DODGE		EGM = ENGINE - 3.3L V6 SMPI FFV	

AR = use ase required - = Non illustrated part

2001 RS

**Bike Carrier - Hitch Mount**  
**Figure 1-212**



ITEM	PART NUMBER	QTY	LINE	SERIES	BODY	ENGINE	TRANS	TRIM	DESCRIPTION
1	82204328	1							CARRIER KIT, Bike, Four Bike, Used with 2 inch receiver
2	04762880	1							STRAP KIT, Velcro, Consists of: 1-Long and 1-Short
3	05016775AA	1							STRAP KIT, Bike Carrier Latch, Consists of: 2 Rubber Straps
4	04762882	1							LOCK KIT, Bike Carrier Handle
5	05016776AA	1							BOLT KIT, Security
6	05016610AA	1							HARDWARE KIT, Accessory, T - Handle
7	05016657AA	1							HARDWARE KIT, Accessory, Top Clamp

**CARAVAN, VOYAGER, TOWN AND COUNTRY (RS)**

SERIES	LINE	BODY	ENGINE	TRANSMISSION
L = Base/SE	C = CHRYSLER	52 = 113 WB	EDZ = ENGINE - 2.4L 4 CYL DOHC 16V SMPI	DGL = TRANSMISSION - 4-SPD. AUTOMATIC,41TE
H = LX, Sport	Y = CHRYSLER	53 = 119 WB	EGA = Engine - 3.3L V6 SMPI	DGC = TRANSMISSION - 3-SPEED AUTOMATIC
P = LXI, ES	D = DODGE		EGH = ENGINE - 3.8L V6 SMPI	DGO = ALL AUTOMATIC TRANSMISSIONS
S = Limited	K = DODGE		EGM = ENGINE - 3.3L V6 SMPI FFV	

AR = use ase required - = Non illustrated part



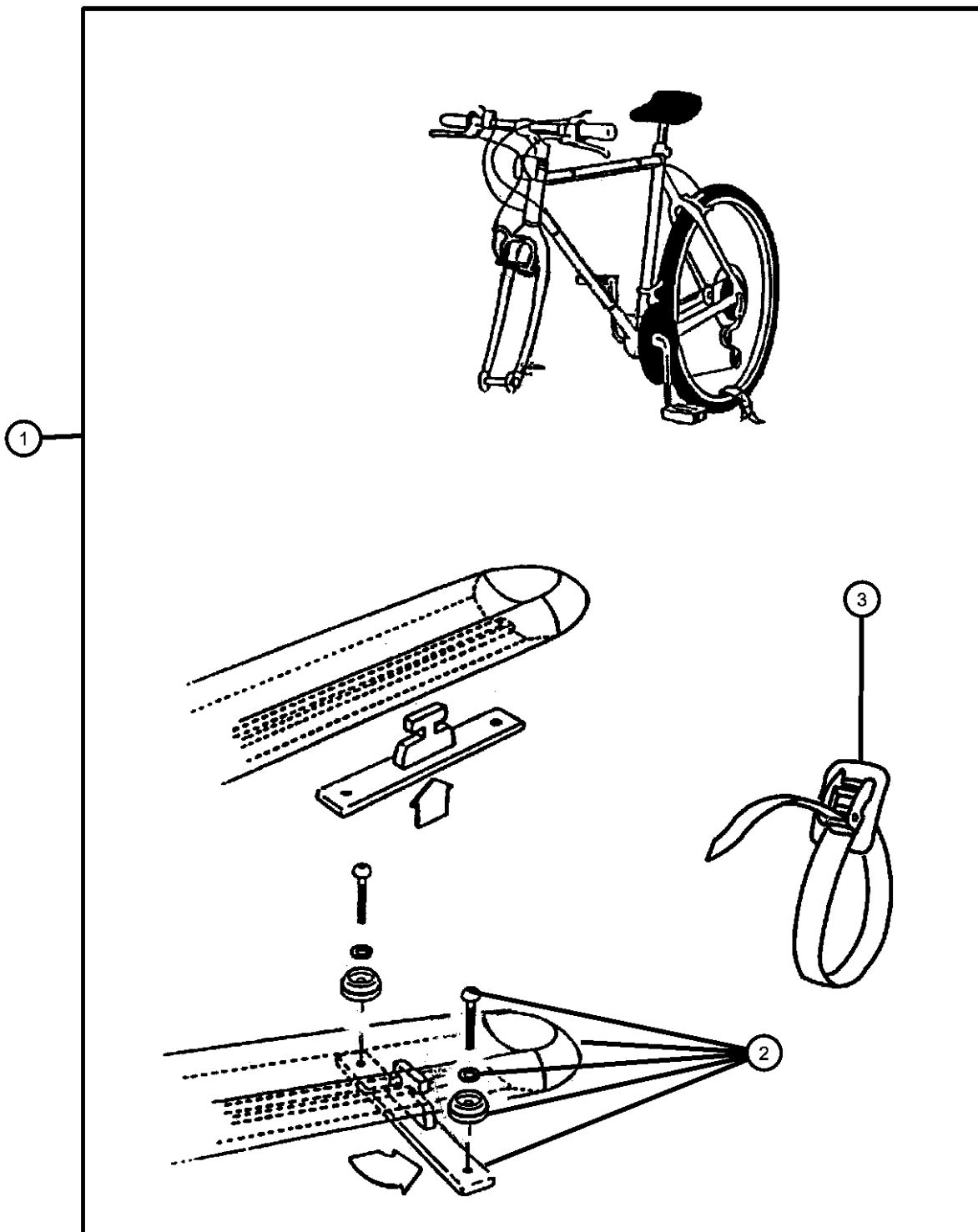
**Bike Carrier - Roof Mount**  
**Figure 1-214**

ITEM	PART NUMBER	QTY	LINE	SERIES	BODY	ENGINE	TRANS	TRIM	DESCRIPTION
------	-------------	-----	------	--------	------	--------	-------	------	-------------

NOTE: Hardware Kit also contained in Carrier Kit.

1	82300585	1							CARRIER KIT, Bike, Fork - Mount
2	05016512AA	1							HARDWARE KIT, Accessory, Consists of: 2-T-Slot Bars, 4-Round Dome Washers, 4-M6X1.0X16MM Machine Screws, 2-M6 Lockwashers
3	05016513AA	1							STRAP, Cargo Tie Down

CARRIER KIT, Bike, Fork - Mount  
HARDWARE KIT, Accessory,  
Consists of: 2-T-Slot Bars,  
4-Round Dome Washers,  
4-M6X1.0X16MM Machine  
Screws, 2-M6 Lockwashers  
STRAP, Cargo Tie Down



**CARAVAN, VOYAGER, TOWN AND COUNTRY (RS)**

SERIES	LINE	BODY	ENGINE	TRANSMISSION
L = Base/SE	C = CHRYSLER	52 = 113 WB	EDZ = ENGINE - 2.4L 4 CYL DOHC 16V SMPI	DGL = TRANSMISSION - 4-SPD. AUTOMATIC,41TE
H = LX, Sport	Y = CHRYSLER	53 = 119 WB	EGA = Engine - 3.3L V6 SMPI	DGC = TRANSMISSION - 3-SPEED AUTOMATIC
P = LXI, ES	D = DODGE		EGH = ENGINE - 3.8L V6 SMPI	DGO = ALL AUTOMATIC TRANSMISSIONS
S = Limited	K = DODGE		EGM = ENGINE - 3.3L V6 SMPI FFV	

AR = use ase required - = Non illustrated part

2001 RS

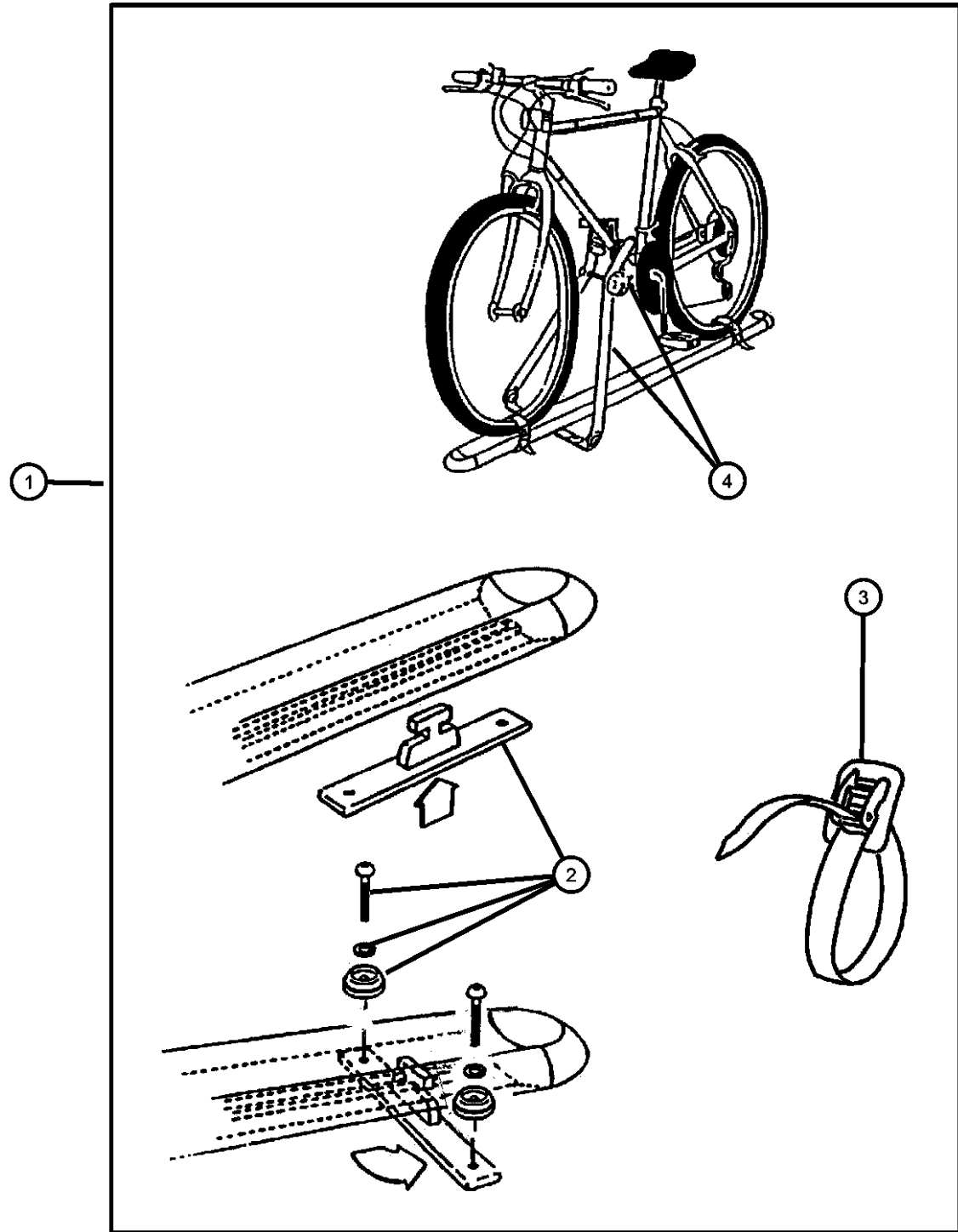
**Bike Carrier - Roof Mount**  
**Figure 1-216**

ITEM	PART NUMBER	QTY	LINE	SERIES	BODY	ENGINE	TRANS	TRIM	DESCRIPTION
------	-------------	-----	------	--------	------	--------	-------	------	-------------

NOTE: Kit has Upright Clamp for Bike.

1	82203471	1							
2	05016512AA	1							
3	05016513AA	1							
4	05018194AA	1							

CARRIER KIT, Bike, Upright - Mount  
 HARDWARE KIT, Accessory, Consists of: 2- T-Slot Bars, 4- Round Dome Washers, 4-M6X1.0X16MM Machine Screws, 2-M6 Lockwashers  
 STRAP, Cargo Tie Down, Consists of: 2-Straps  
 HARDWARE KIT, Bike Carrier, Consists of: 2-Upright Tubes with End Caps, 1-Carriage Bolt, Carriage Bolt Bushing Adjustment Knob, 2-Adjustment Knob Bushings, Bike Tube Pad, 2-Button Head Screws, 2-Nylon Washers and Spring



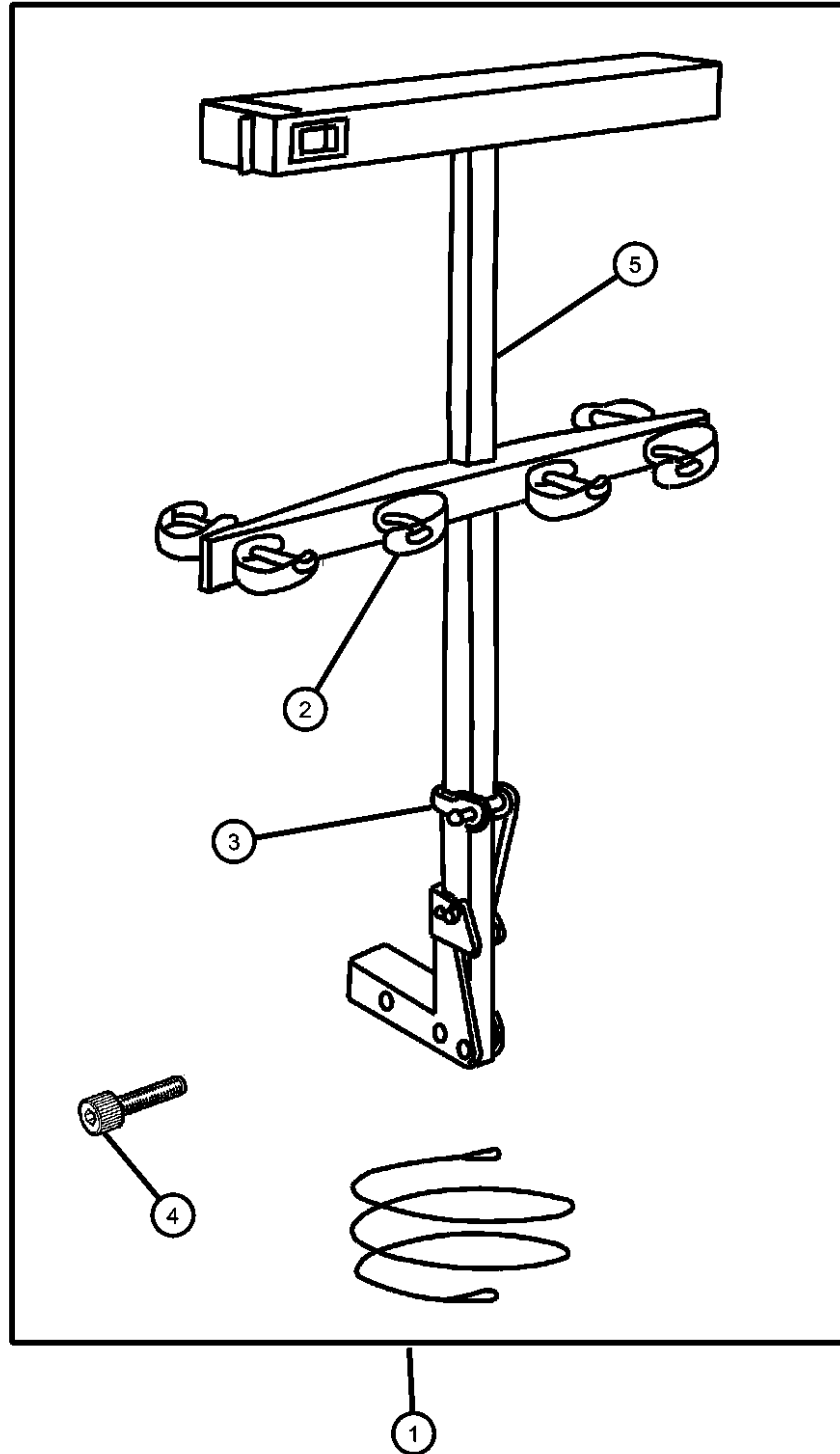
**CARAVAN, VOYAGER, TOWN AND COUNTRY (RS)**

SERIES	LINE	BODY	ENGINE	TRANSMISSION
L = Base/SE	C = CHRYSLER	52 = 113 WB	EDZ = ENGINE - 2.4L 4 CYL DOHC 16V SMPI	DGL = TRANSMISSION - 4-SPD. AUTOMATIC,41TE
H = LX, Sport	Y = CHRYSLER	53 = 119 WB	EGA = Engine - 3.3L V6 SMPI	DGC = TRANSMISSION - 3-SPEED AUTOMATIC
P = LXI, ES	D = DODGE		EGH = ENGINE - 3.8L V6 SMPI	DGO = ALL AUTOMATIC TRANSMISSIONS
S = Limited	K = DODGE		EGM = ENGINE - 3.3L V6 SMPI FFV	

AR = use ase required - = Non illustrated part

2001 RS

**Carrier Kit - Ski ( 4 Pair)  
Figure 1-220**



ITEM	PART NUMBER	QTY	LINE	SERIES	BODY	ENGINE	TRANS	TRIM	DESCRIPTION
1	82204454	1							CARRIER KIT, Ski - 4 Pair
	82204455	1							1.25 Inch Receiver
	82204455	1							2 Inch Receiver
2	04762881	1							STRAP KIT, Bike Carrier Latch, Consists of: 2 Ruber Straps
3	04762882	1							LOCK KIT, Bike Carrier Handle
4									BOLT KIT, Security
	05016774AA	1							Use with 1.25 Inch Receiver Consists of: 1- Security Bolt, 1- Security Wrench, 1- Washer and 1- Nut
	05016776AA	1							Use with 2 Inch Receiver Consists of: 1- Security Bolt, 1- Security Wrench, 1- Washer and 1- Nut
5	05016610AA	1							HARDWARE KIT, Accessory, T-Handle

**CARAVAN, VOYAGER, TOWN AND COUNTRY (RS)**

SERIES	LINE	BODY	ENGINE	TRANSMISSION
L = Base/SE	C = CHRYSLER	52 = 113 WB	EDZ = ENGINE - 2.4L 4 CYL DOHC 16V SMPI	DGL = TRANSMISSION - 4-SPD. AUTOMATIC,41TE
H = LX, Sport	Y = CHRYSLER	53 = 119 WB	EGA = Engine - 3.3L V6 SMPI	DGC = TRANSMISSION - 3-SPEED AUTOMATIC
P = LXI, ES	D = DODGE		EGH = ENGINE - 3.8L V6 SMPI	DGO = ALL AUTOMATIC TRANSMISSIONS
S = Limited	K = DODGE		EGM = ENGINE - 3.3L V6 SMPI FFV	

AR = use ase required - = Non illustrated part

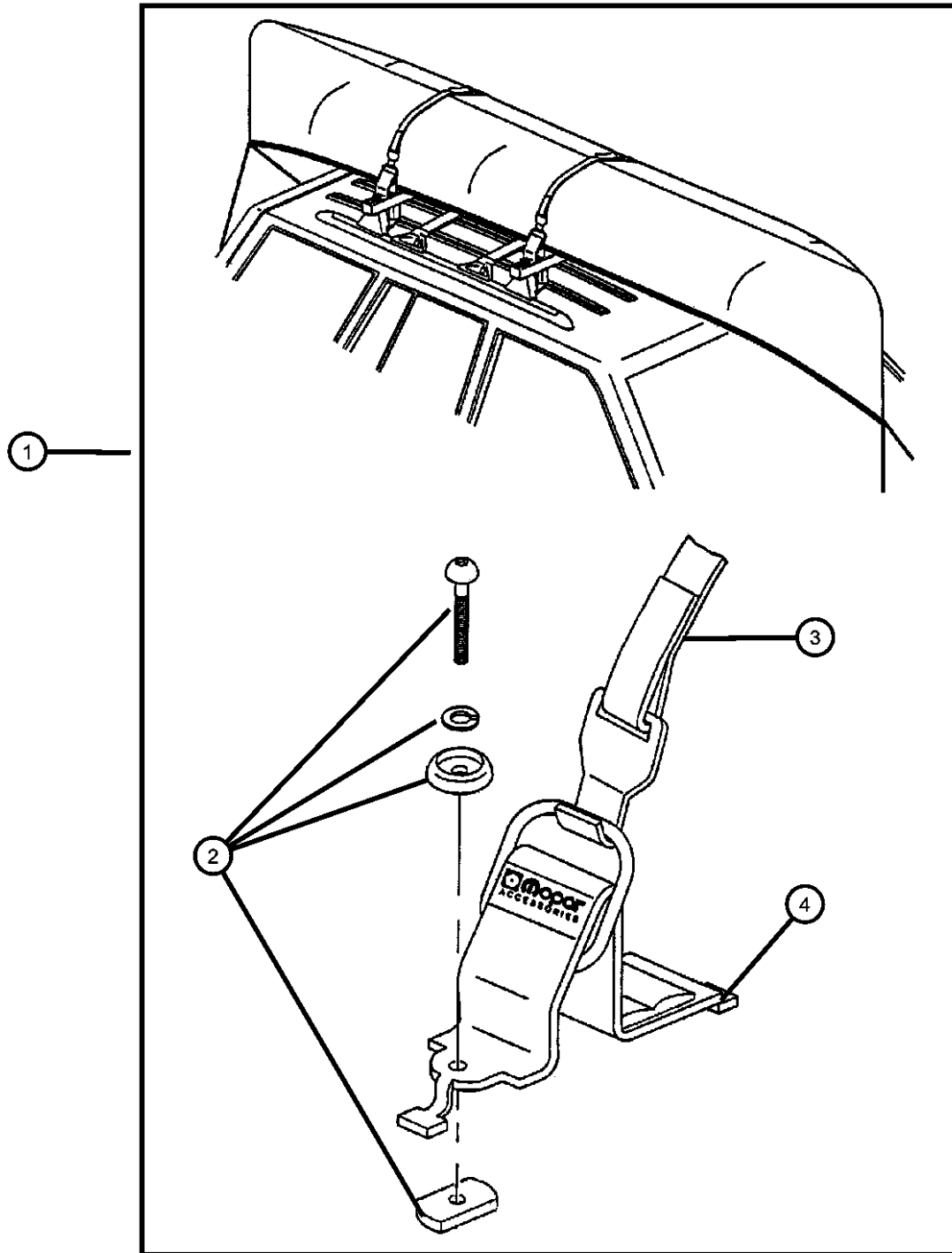
Carrier Kit - Canoe  
Figure 1-230

ITEM	PART NUMBER	QTY	LINE	SERIES	BODY	ENGINE	TRANS	TRIM	DESCRIPTION
------	-------------	-----	------	--------	------	--------	-------	------	-------------

NOTE: Use only with Sport Utility Bar  
NOTE: Hardware Kit also contained in Carrier Kit

1	82204700	1							CARRIER KIT, Water Sports
2	05016389AA	1							HARDWARE KIT, Accessory, Contains:4 - 25MM Button Head Screws, 4 - 30MM Button Head Screws, 4 Lock Washers, 4 Dome Washers, 4 T-Nuts
3	05016511AA	1							STRAP, Cargo Tie Down
4	05016510AA	1							BRACKET, Cargo Tie Down

CARRIER KIT, Water Sports  
HARDWARE KIT, Accessory,  
Contains:4 - 25MM Button Head  
Screws, 4 - 30MM Button Head  
Screws, 4 Lock Washers, 4 Dome  
Washers, 4 T-Nuts  
STRAP, Cargo Tie Down  
BRACKET, Cargo Tie Down



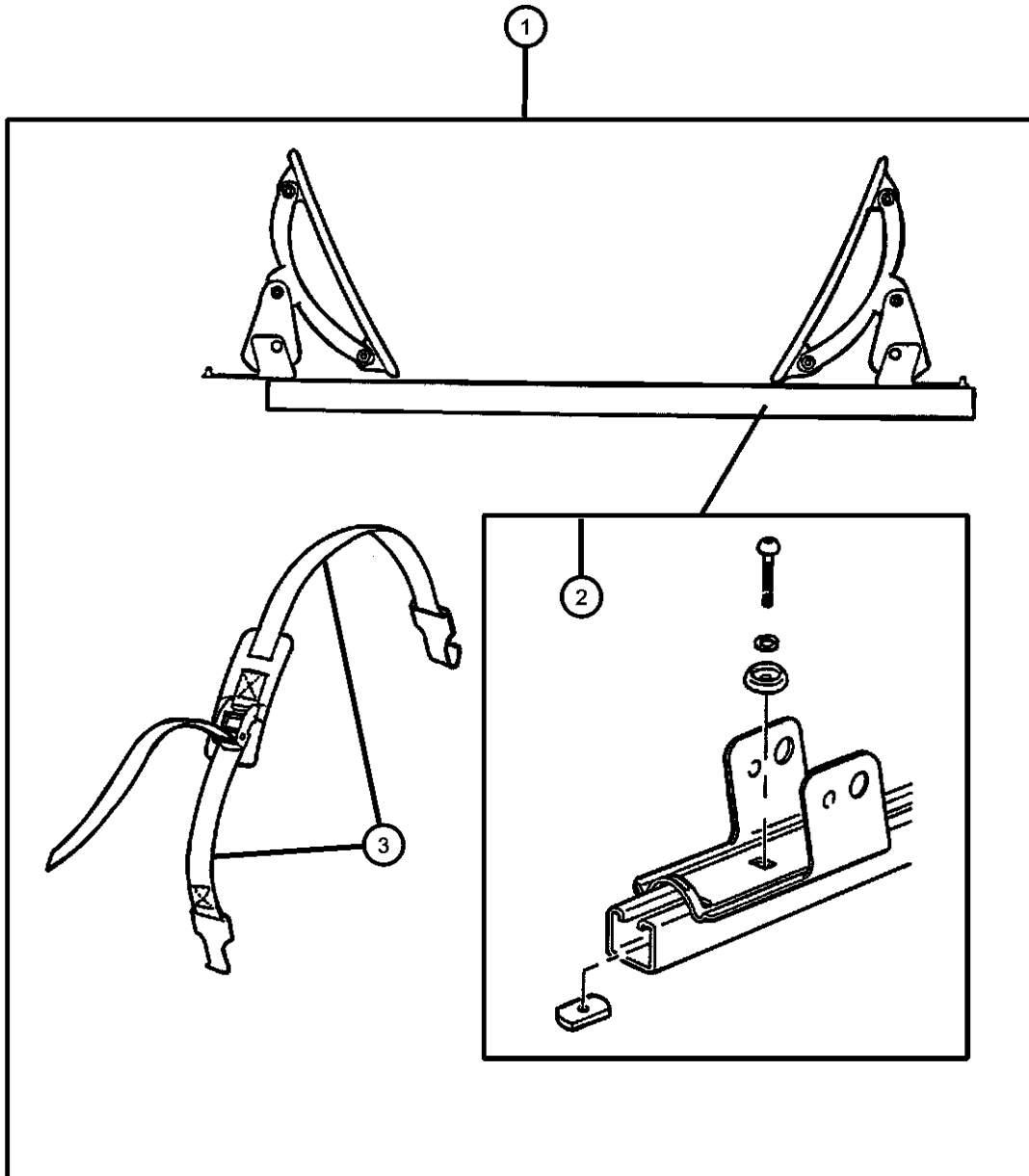
CARAVAN, VOYAGER, TOWN AND COUNTRY (RS)

SERIES	LINE	BODY	ENGINE	TRANSMISSION
L = Base/SE	C = CHRYSLER	52 = 113 WB	EDZ = ENGINE - 2.4L 4 CYL DOHC 16V SMPI	DGL = TRANSMISSION - 4-SPD. AUTOMATIC,41TE
H = LX, Sport	Y = CHRYSLER	53 = 119 WB	EGA = Engine - 3.3L V6 SMPI	DGC = TRANSMISSION - 3-SPEED AUTOMATIC
P = LXI, ES	D = DODGE		EGH = ENGINE - 3.8L V6 SMPI	DGO = ALL AUTOMATIC TRANSMISSIONS
S = Limited	K = DODGE		EGM = ENGINE - 3.3L V6 SMPI FFV	

AR = use ase required - = Non illustrated part

2001 RS

**Carrier Kit - Water Sports**  
**Figure 1-232**



ITEM	PART NUMBER	QTY	LINE	SERIES	BODY	ENGINE	TRANS	TRIM	DESCRIPTION
1	82205416	1							CARRIER KIT, Water Sports
2	05016389AA	1							HARDWARE KIT, Accessory, Consists of : 4-25MM Button Head Screws, 4-30MM Button Head Screws, 4-Lock Washers, 4- Dome Screws, 4-Lock Washers, 4- Dome Washers, 4- Rubber Washers and 4-T-Nuts
3	05016511AA	1							STRAP, Cargo Tie Down

**CARAVAN, VOYAGER, TOWN AND COUNTRY (RS)**

SERIES	LINE	BODY
L = Base/SE	C = CHRYSLER	52 = 113 WB
H = LX, Sport	Y = CHRYSLER	53 = 119 WB
P = LXI, ES	D = DODGE	
S = Limited	K = DODGE	

ENGINE	TRANSMISSION
EDZ = ENGINE - 2.4L 4 CYL DOHC 16V SMPI	DGL = TRANSMISSION - 4-SPD. AUTOMATIC,41TE
EGA = Engine - 3.3L V6 SMPI	DGC = TRANSMISSION - 3-SPEED AUTOMATIC
EGH = ENGINE - 3.8L V6 SMPI	DGO = ALL AUTOMATIC TRANSMISSIONS
EGM = ENGINE - 3.3L V6 SMPI FFV	

AR = use ase required - = Non illustrated part

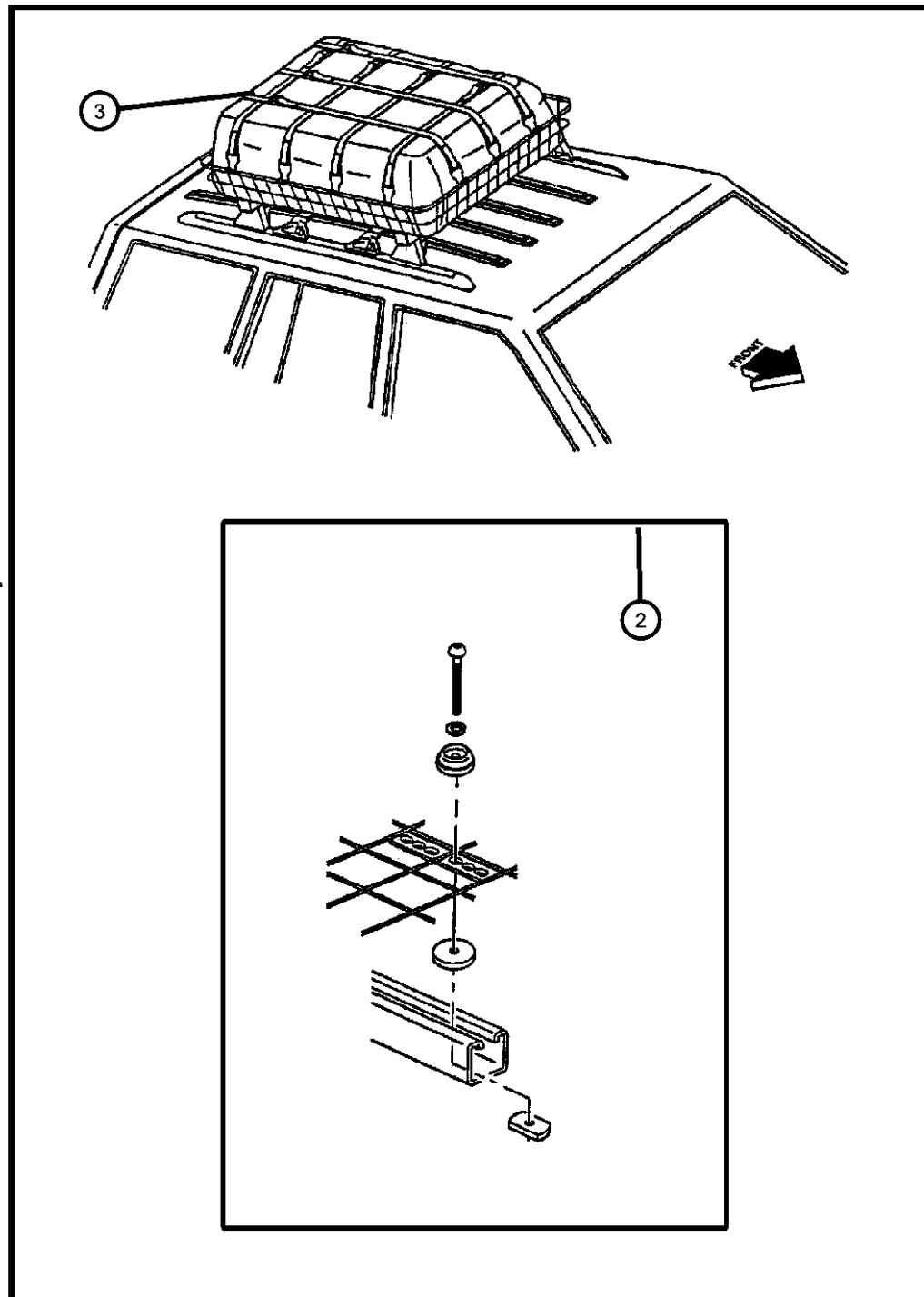
**Carrier Kit - Basket Type**  
**Figure 1-260**

ITEM	PART NUMBER	QTY	LINE	SERIES	BODY	ENGINE	TRANS	TRIM	DESCRIPTION
------	-------------	-----	------	--------	------	--------	-------	------	-------------

NOTE; Hardware Kit also contained in Carrier Kit.

1	82204697	1							CARRIER KIT, Basket
2	05016389AA	1							HARDWARE KIT, Accessory, Consists of: 4-25MM Button Head Screws, 4-30MM Button Head Screws, 4-Lock Washers, 4- Rubber Washers, 4-T-Nuts.
3	82204857	1							NET KIT, Cargo

CARRIER KIT, Basket  
HARDWARE KIT, Accessory,  
Consists of: 4-25MM Button  
Head Screws, 4-30MM Button  
Head Screws, 4-Lock Washers, 4-  
Rubber Washers, 4-T-Nuts.  
NET KIT, Cargo



**CARAVAN, VOYAGER, TOWN AND COUNTRY (RS)**

SERIES	LINE	BODY
L = Base/SE	C = CHRYSLER	52 = 113 WB
H = LX, Sport	Y = CHRYSLER	53 = 119 WB
P = LXI, ES	D = DODGE	
S = Limited	K = DODGE	

ENGINE	TRANSMISSION
EDZ = ENGINE - 2.4L 4 CYL DOHC 16V SMPI	DGL = TRANSMISSION - 4-SPD. AUTOMATIC,41TE
EGA = Engine - 3.3L V6 SMPI	DGC = TRANSMISSION - 3-SPEED AUTOMATIC
EGH = ENGINE - 3.8L V6 SMPI	DGO = ALL AUTOMATIC TRANSMISSIONS
EGM = ENGINE - 3.3L V6 SMPI FFV	

AR = use ase required - = Non illustrated part

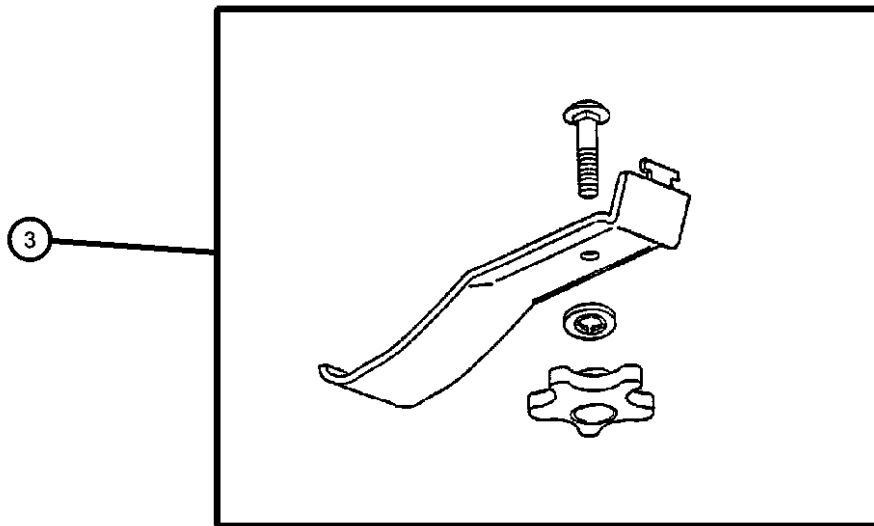
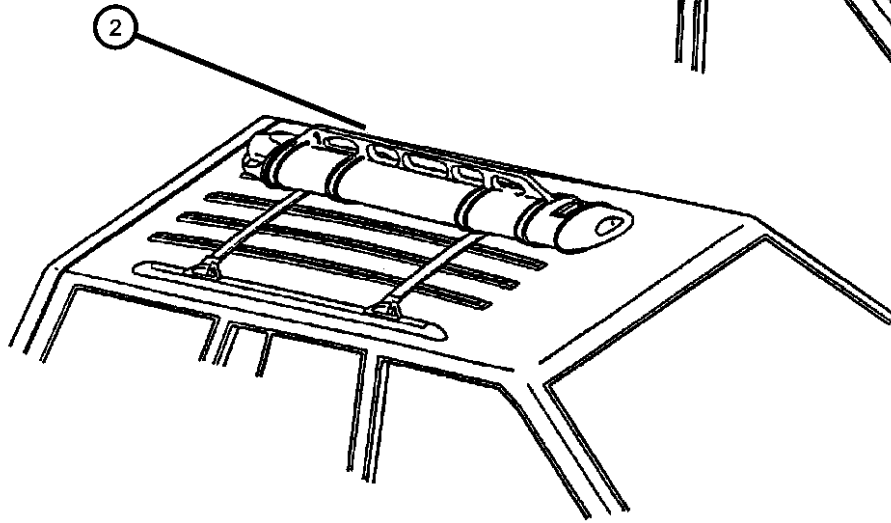
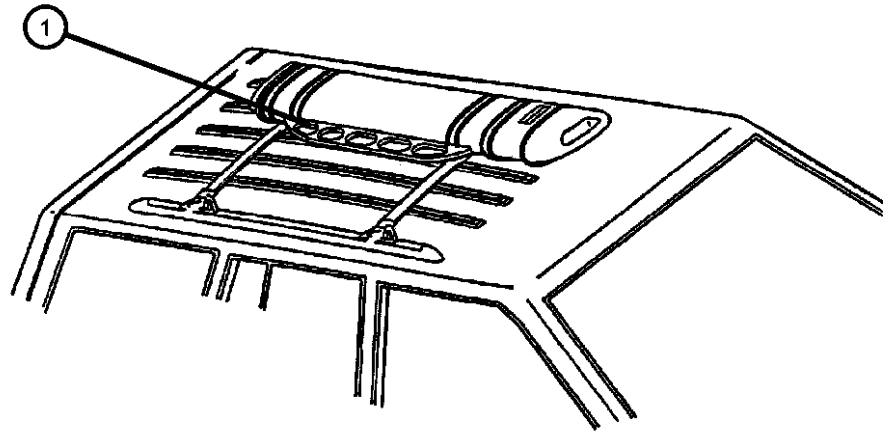
2001 RS

**Carrier Kit - Multipurpose**  
**Figure 1-270**

ITEM	PART NUMBER	QTY	LINE	SERIES	BODY	ENGINE	TRANS	TRIM	DESCRIPTION
------	-------------	-----	------	--------	------	--------	-------	------	-------------

NOTE: Carrier Kits - Multipurpose: Skis or Fishing Pole ,Snowboards or Surfboard.

1	82204699	1							CARRIER KIT, Wind/Surf Boards
2	82204698	1							CARRIER KIT, Ski
3	05016389AA	1							HARDWARE KIT, Accessory
-4	05016617AA	1							LOCK KIT, Carrier



**CARAVAN, VOYAGER, TOWN AND COUNTRY (RS)**

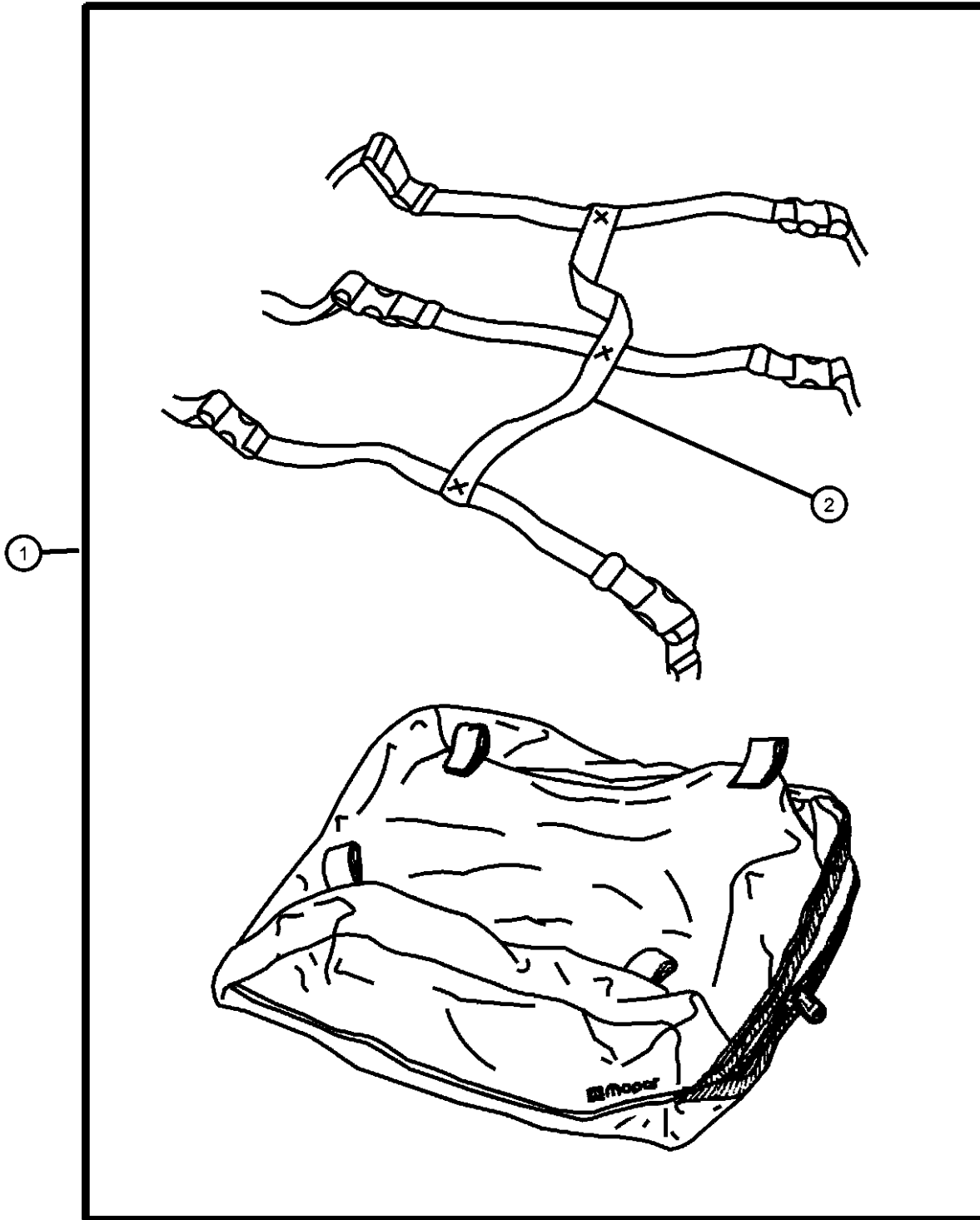
SERIES	LINE	BODY	ENGINE	TRANSMISSION
L = Base/SE	C = CHRYSLER	52 = 113 WB	EDZ = ENGINE - 2.4L 4 CYL DOHC 16V SMPI	DGL = TRANSMISSION - 4-SPD. AUTOMATIC,41TE
H = LX, Sport	Y = CHRYSLER	53 = 119 WB	EGA = Engine - 3.3L V6 SMPI	DGC = TRANSMISSION - 3-SPEED AUTOMATIC
P = LXI, ES	D = DODGE		EGH = ENGINE - 3.8L V6 SMPI	DGO = ALL AUTOMATIC TRANSMISSIONS
S = Limited	K = DODGE		EGM = ENGINE - 3.3L V6 SMPI FFV	

AR = use ase required - = Non illustrated part

2001 RS

Luggage Carrier - Roof Mount  
Figure 1-272

ITEM	PART NUMBER	QTY	LINE	SERIES	BODY	ENGINE	TRANS	TRIM	DESCRIPTION
1	82204344	1							CARRIER KIT, Luggage
2	05066332AA	1							STRAP KIT, Luggage Carrier



CARAVAN, VOYAGER, TOWN AND COUNTRY (RS)

SERIES	LINE	BODY
L = Base/SE	C = CHRYSLER	52 = 113 WB
H = LX, Sport	Y = CHRYSLER	53 = 119 WB
P = LXI, ES	D = DODGE	
S = Limited	K = DODGE	

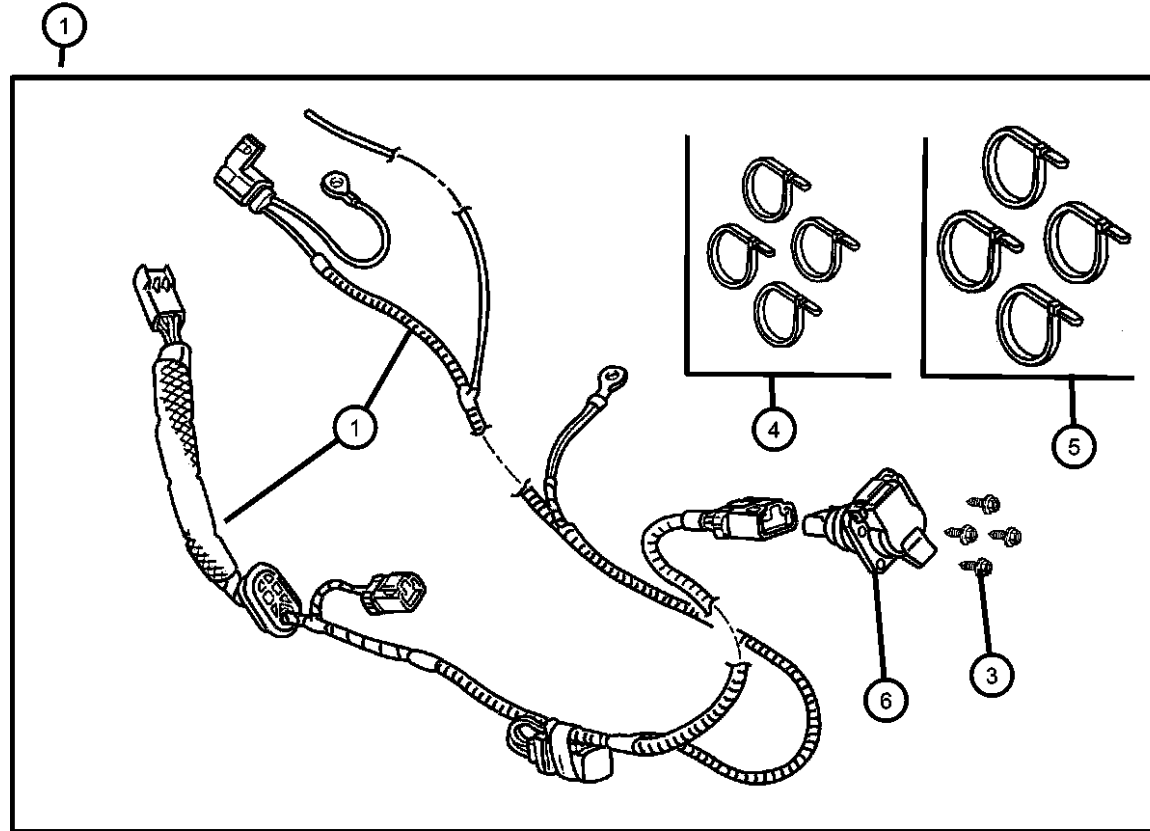
ENGINE	TRANSMISSION
EDZ = ENGINE - 2.4L 4 CYL DOHC 16V SMPI	DGL = TRANSMISSION - 4-SPD. AUTOMATIC, 41TE
EGA = Engine - 3.3L V6 SMPI	DGC = TRANSMISSION - 3-SPEED AUTOMATIC
EGH = ENGINE - 3.8L V6 SMPI	DGO = ALL AUTOMATIC TRANSMISSIONS
EGM = ENGINE - 3.3L V6 SMPI FFV	

AR = use ase required - = Non illustrated part

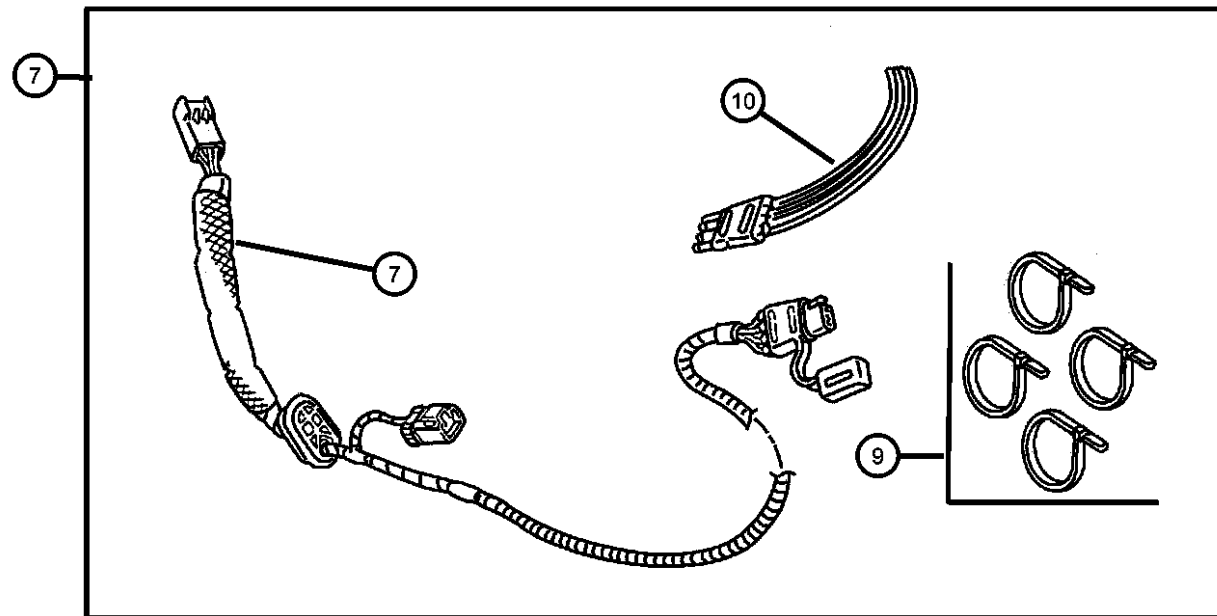
2001 RS



Trailer Tow Harness  
Figure 1-290



ITEM	PART NUMBER	QTY	LINE	SERIES	BODY	ENGINE	TRANS	TRIM	DESCRIPTION
1	82206301	1							WIRING PACKAGE, Trailer Tow, 7 Way
-2	00154554	1							SCREW, Self Piercing, .25-14x.625, Ground
3	00154633	1							SCREW, .164-18x.625
4	06016155	1							STRAP, Tie, 14.5 inch
5	04641780	1							STRAP, Tie, 7 inch
6	56038366AB	1							CONNECTOR, 7 Way
7	82206300	1							WIRING PACKAGE, Trailer Tow
-8	04274258	1							TAPE, Radio Connector, Foam
9	06016155	1							STRAP, Tie, 14.5 inch
10	06016155	1							WIRING, Trailer Tow - 4 Way, Serviced in Package, (NOT SERVICED)
-11	82204602	1							BRACKET KIT, Trailer Tow



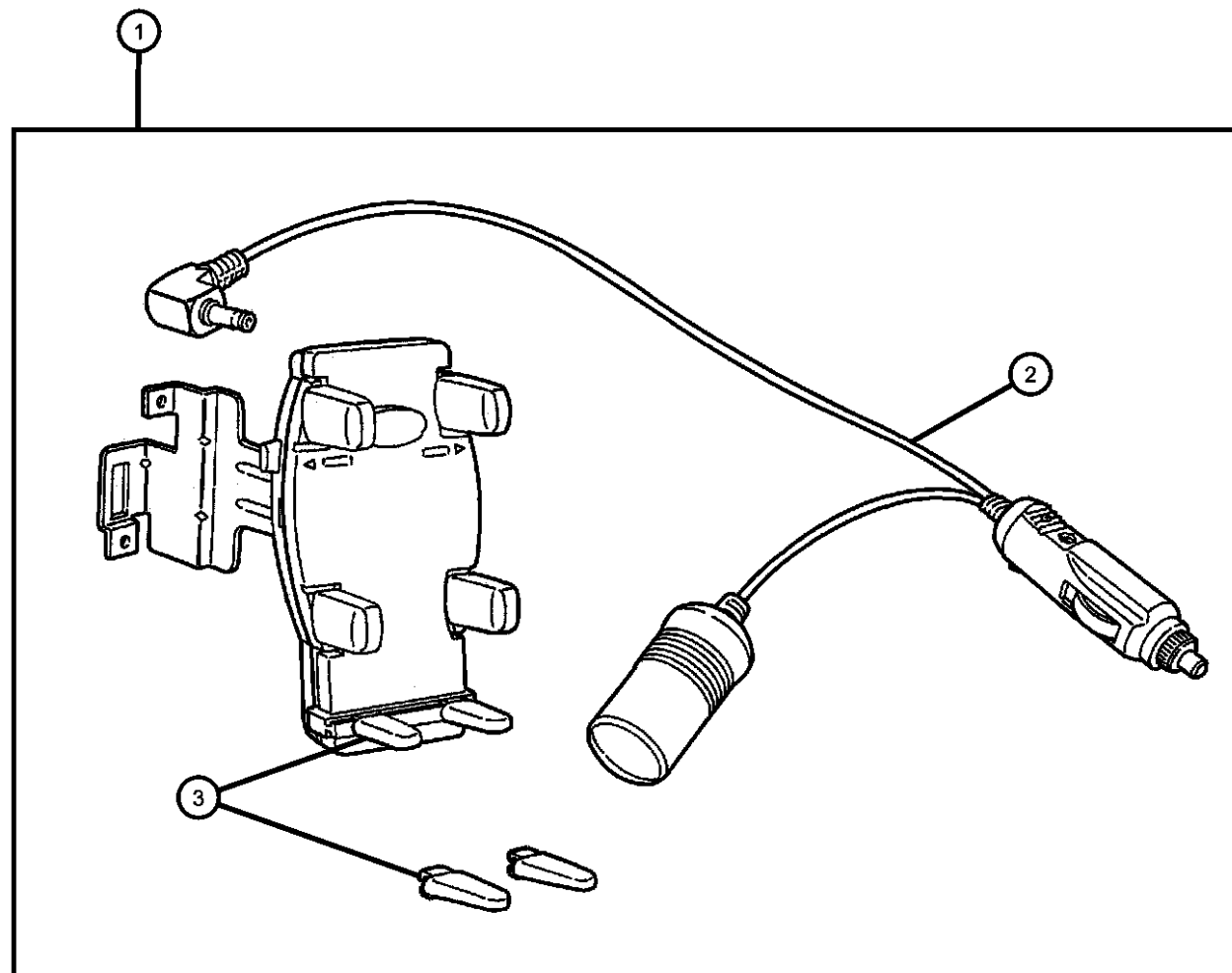
CARAVAN, VOYAGER, TOWN AND COUNTRY (RS)

SERIES	LINE	BODY	ENGINE	TRANSMISSION
L = Base/SE	C = CHRYSLER	52 = 113 WB	EDZ = ENGINE - 2.4L 4 CYL DOHC 16V SMPI	DGL = TRANSMISSION - 4-SPD. AUTOMATIC,41TE
H = LX, Sport	Y = CHRYSLER	53 = 119 WB	EGA = Engine - 3.3L V6 SMPI	DGC = TRANSMISSION - 3-SPEED AUTOMATIC
P = LXI, ES	D = DODGE		EGH = ENGINE - 3.8L V6 SMPI	DGO = ALL AUTOMATIC TRANSMISSIONS
S = Limited	K = DODGE		EGM = ENGINE - 3.3L V6 SMPI FFV	

AR = use ase required - = Non illustrated part

**Mounting Kit - Cellular Phone**  
**Figure 1-330**

ITEM	PART NUMBER	QTY	LINE	SERIES	BODY	ENGINE	TRANS	TRIM	DESCRIPTION
1	82205914	1							MOUNTING KIT, Cellular Phone
2	05016536AA	1							CORD, Cellular Phone, Replacement: 18 inches, with Y Accessory Feed
3	05018103AA	1							HARDWARE KIT, Accessory, Set of Long Support Feet

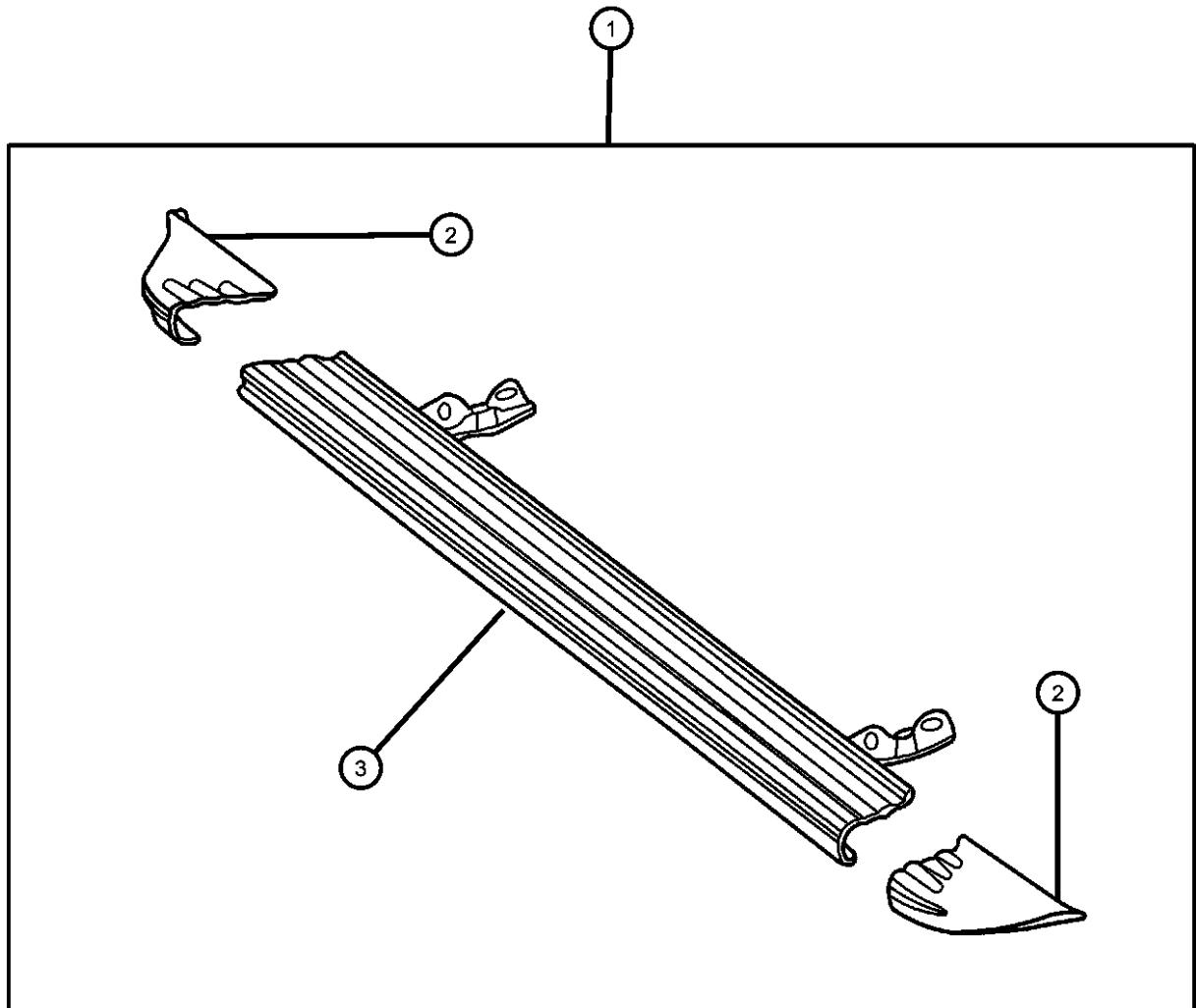


**CARAVAN, VOYAGER, TOWN AND COUNTRY (RS)**

SERIES	LINE	BODY	ENGINE	TRANSMISSION
L = Base/SE	C = CHRYSLER	52 = 113 WB	EDZ = ENGINE - 2.4L 4 CYL DOHC 16V SMPI	DGL = TRANSMISSION - 4-SPD. AUTOMATIC,41TE
H = LX, Sport	Y = CHRYSLER	53 = 119 WB	EGA = Engine - 3.3L V6 SMPI	DGC = TRANSMISSION - 3-SPEED AUTOMATIC
P = LXI, ES	D = DODGE		EGH = ENGINE - 3.8L V6 SMPI	DGO = ALL AUTOMATIC TRANSMISSIONS
S = Limited	K = DODGE		EGM = ENGINE - 3.3L V6 SMPI FFV	

AR = use ase required - = Non illustrated part

Running Boards  
Figure 1-430



ITEM	PART NUMBER	QTY	LINE	SERIES	BODY	ENGINE	TRANS	TRIM	DESCRIPTION
NOTE: Kits contain mounting brackets and hardware									
1									RUNNING BOARD KIT, Full
	82206226	1			53				Inferno Red [WEL]
	82206227	1			52				Inferno Red [WEL]
	82206228	1			53				Shale Green [XGR]
	82206229	1			52				Shale Green [XGR]
	82206230	1			53				Patriot Blue [WB7]
	82206231	1			52				Patriot Blue [WB7]
	82206232	1			53				Bright Silver [WS2]
	82206233	1			52				Bright Silver [WS2]
	82206236	1			53				Stone White [SW1]
	82206237	1			52				Stone White [SW1]
	82206238	1			53				Steel Blue [XBQ]
	82206239	1			52				Steel Blue [XBQ]
	82206240	1			53				Sterling Blue [YB2]
	82206241	1			52				Champagne [VTE]
	82206242	1			53				Dark Garnet Red [XRV]
	82206243	1			52				Dark Garnet Red [XRV]
	82206386	1			53				Champagne [VTE]
	82206619	1			53				Primed
	82206620	1			52				Primed
2	05066402AA	1			52				END CAP, Running Board, Primed, Front and Rear
3									RUNNING BOARD, Left Side
	05066403AA	1			52				Primed
	05066405AA	1			53				Primed
-4									RUNNING BOARD, Right Side
	05066404AA	1			52				Primed
	05066406AA	1			53				Primed

CARAVAN, VOYAGER, TOWN AND COUNTRY (RS)

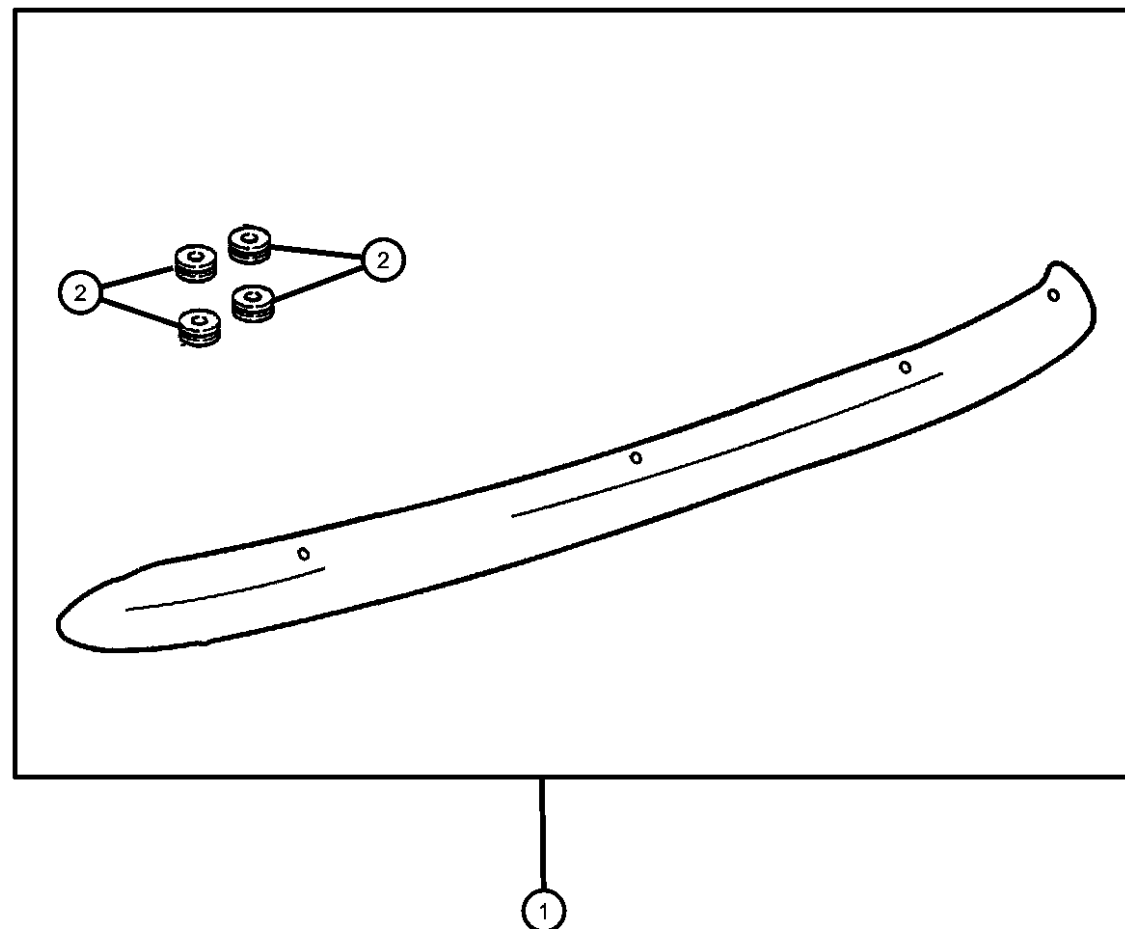
SERIES	LINE	BODY
L = Base/SE	C = CHRYSLER	52 = 113 WB
H = LX, Sport	Y = CHRYSLER	53 = 119 WB
P = LXI, ES	D = DODGE	
S = Limited	K = DODGE	

ENGINE	TRANSMISSION
EDZ = ENGINE - 2.4L 4 CYL DOHC 16V SMPI	DGL = TRANSMISSION - 4-SPD. AUTOMATIC,41TE
EGA = Engine - 3.3L V6 SMPI	DGC = TRANSMISSION - 3-SPEED AUTOMATIC
EGH = ENGINE - 3.8L V6 SMPI	DGO = ALL AUTOMATIC TRANSMISSIONS
EGM = ENGINE - 3.3L V6 SMPI FFV	

AR = use ase required - = Non illustrated part

**Shield Kit - Air Front**  
**Figure 1-520**

ITEM	PART NUMBER	QTY	LINE	SERIES	BODY	ENGINE	TRANS	TRIM	DESCRIPTION
1	82205903	1							SHIELD KIT, Air - Front
2	05014754AA	1							SPACER, Air Deflector



**CARAVAN, VOYAGER, TOWN AND COUNTRY (RS)**

SERIES	LINE	BODY	ENGINE	TRANSMISSION
L = Base/SE	C = CHRYSLER	52 = 113 WB	EDZ = ENGINE - 2.4L 4 CYL DOHC 16V SMPI	DGL = TRANSMISSION - 4-SPD. AUTOMATIC,41TE
H = LX, Sport	Y = CHRYSLER	53 = 119 WB	EGA = Engine - 3.3L V6 SMPI	DGC = TRANSMISSION - 3-SPEED AUTOMATIC
P = LXI, ES	D = DODGE		EGH = ENGINE - 3.8L V6 SMPI	DGO = ALL AUTOMATIC TRANSMISSIONS
S = Limited	K = DODGE		EGM = ENGINE - 3.3L V6 SMPI FFV	

AR = use ase required - = Non illustrated part