

VIN PLATE DECODING INFORMATION

1	2	3	4	5	6	7	8	9	10	11	12 thru 17
Country	Make	Vehicle Type	Other	Line	Series	Body Style	Engine	Check Digit	Model Year	Assy. Plant	Sequence No.

The following table interprets the VIN Plate position shown above.

Position	Interpretation	Codes = Description
1	Country of Origin	1 = United States 2 = Canada
2	Assembler	B = Dodge C = Chrysler P = Plymouth
3	Vehicle Type	4 = Multipurpose Passenger Vehicle
4	GVWR & Pass. Safety	D = 0-1360 kg (0-3000 lbs) E = 1361-1814 kg (3001-4000 lbs) F = 1815-2267 kg (4001-5000 lbs) G = 2268-2721 kg (5001-6000 lbs) H = 2722-3175 kg (6001-7000 lbs) J = 3176-3628 kg (7001-8000 lbs) K = 3629-4082 kg (8001-9000 lbs) L = 4083-4535 kg (9001-10000 lbs) M = 4536-6350 kg (10001-14000 lbs)
5	Vehicle Line	P = FWD Chrysler, Town & Country P = FWD Dodge, Caravan/Grand Caravan P = FWD Plymouth, Voyager/Grand Voyager T = AWD Chrysler, Town & Country T = AWD Plymouth, Grand Voyager T = AWD Dodge, Grand Caravan
6	Series	2 = Low Line 4 = High Line 5 = Premium Line 6 = Sport
7	Body Style	4 = Long Wheel Base 5 = Short Wheel Base
8	Engine	3 = 3.0L 6 Cyl. (EFA) 8 = 95 H.P Electric Motor (E98) B = 2.4L 4 Cyl. (EDZ) J = 3.3L V6 CNG (EGP) L = 3.8L 6 Cyl. (EGH) R = 3.3L 6 Cyl.(EGA/EGM)
9	Check Digit	0 = Check Digit 0 = Check Digit
10	Model Year	V = 1997 W = 1998 X = 1999
11	Assembly Plant	B = St. Louis Assembly North R = Windsor Assembly
12 thru 17	Vehicle Build Sequence	Model Year Assembly Sequence

Group - 2

Front Suspension & Drive

Group - 2 Front Suspension & Drive

Illustration Title

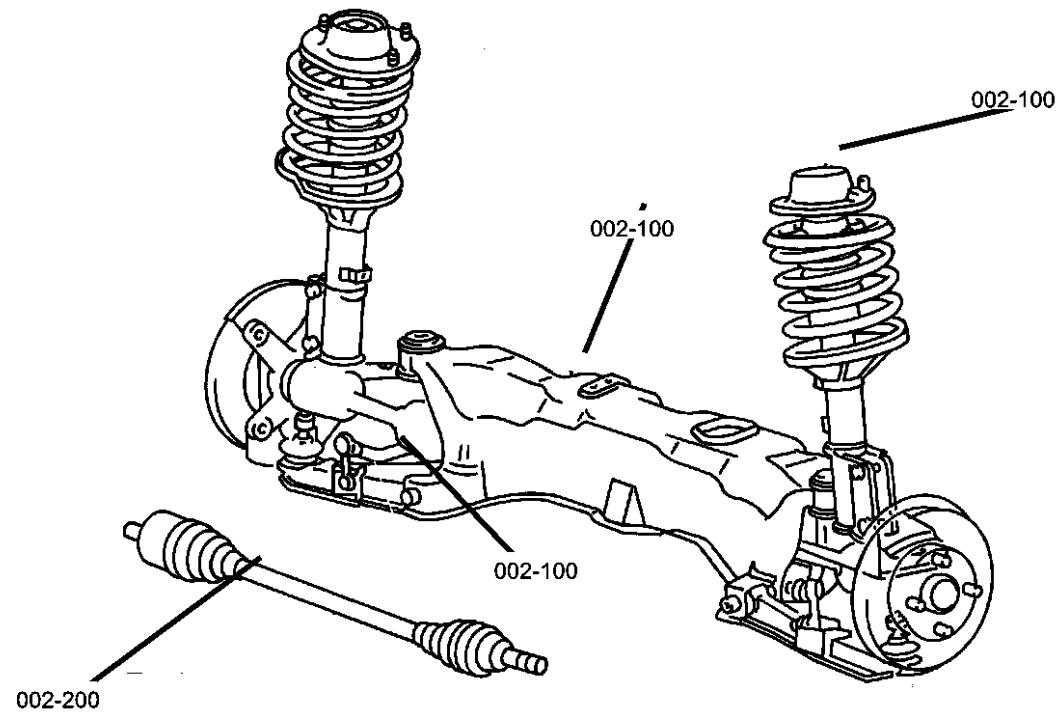
Group-Fig. No.

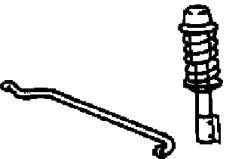

Front Suspension

Suspension, Front..... Fig. 2 - 145

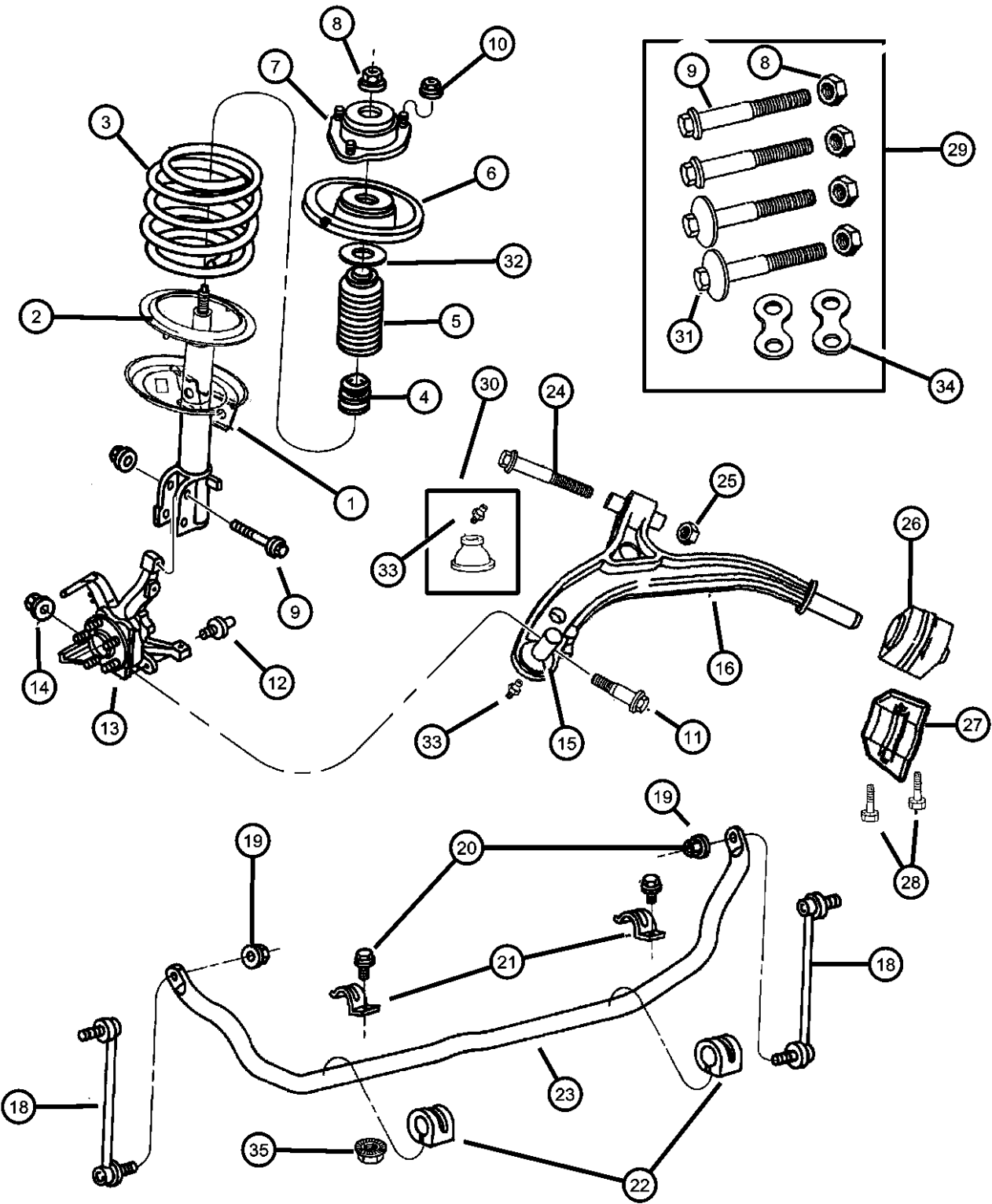
Front Axle Drive Shafts

Shaft, Front Drive Fig. 2 - 245



<p>002-100 Front Suspension</p> 	<p>002-200 Front Axle Drive Shafts</p> 		
--	---	--	--

**Suspension, Front
Figure 2-145**



ITEM	PART NUMBER	QTY	LINE	SERIES	BODY	ENGINE	TRANS	TRIM	DESCRIPTION
------	-------------	-----	------	--------	------	--------	-------	------	-------------

NOTE: Sales Code BRA= DISC/DRUM (14")
 NOTE: Sales Code BRB= DISC/DRUM (15")
 NOTE: Sales Code BRV= DISC/DRUM Heavy Duty (15")
 NOTE: Sales Code BRE= DISC/DISC (15")
 NOTE: Sales Code SDA= Standard Suspension
 NOTE: Sales Code SDB= Heavy Duty Suspension
 NOTE: Sales Code SDD= Commercial Wagon
 NOTE: Sales Code ZAB thru ZNM= Spring Group Types, Found on Individual Vehical Sales Code Listing

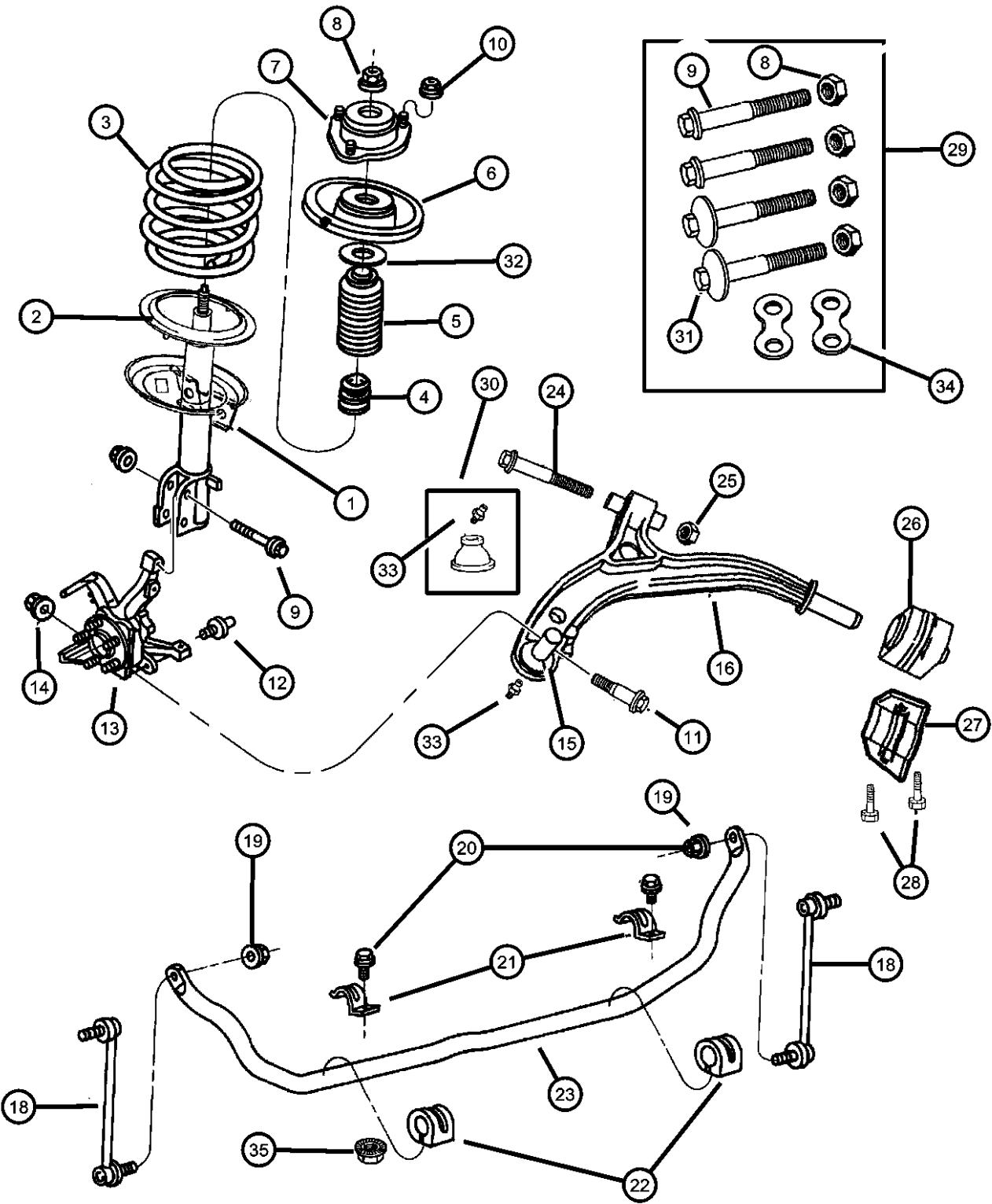
1	04897451AA G0067697 0SG81964	2							STRUT, Front Suspension Mopar V-Line Alternative Part Mopar V-Line Alternative Part
2	04694796	2							ISOLATOR, SpringLower
3	04684514 04684515 04684516 04684517 04684518 04684519 04684520 04684521 04684563 04684564 04684565 04684566 04684567 04684568 04684569 04684570 04684571 04684572 04684573	1							SPRING, Front Coil w/All Susp (ZNB,ZAB) Tag# 514 w/All Susp (ZNC,ZAC) Tag# 515 w/All Susp (ZND,ZAD) Tag# 516 w/All Susp (ZNE,ZAE) Tag# 517 w/All Susp (ZNF,ZAF) Tag# 518 w/All Susp (ZNG,ZAG) Tag# 519 w/All Susp (ZNH,ZAH) Tag# 520 w/All Susp (ZNJ,ZAJ) Tag# 521 w/All Susp (ZPB,ZBB) Tag# 563 w/All Susp (ZPC,ZBC) Tag# 564 w/All Susp (ZPD,ZBD) Tag# 565 w/All Susp (ZPE,ZBE) Tag# 566 w/All Susp (ZPF,ZBF) Tag# 567 w/All Susp (ZPG,ZBG) Tag# 568 w/All Susp (ZPH,ZBH) Tag# 569 w/All Susp (ZPJ,ZBJ) Tag# 570 w/All Susp (ZPK,ZBK) Tag# 571 w/All Susp (ZPL,ZBL) Tag# 572 w/All Susp (ZPM,ZBML) Tag# 573
4	04684442	2							BUMPER, Jounce, Front Suspension Strut Jounce Damper

CARAVAN, VOYAGER, TOWN AND COUNTRY (NS)

SERIES	LINE	BODY	ENGINE	TRANSMISSION
L = Base	C = Chrysler, AWD	52 = 113.3 SWB	EGP = 3.3L V6 CNG Engine	DAC = Single Speed Transmission
H = LX, depor, SE	D = Dodge, AWD	53 = 119.3 LWB	E98 = Electric Motor	DGC = 3-Speed Automatic Transmission
P = LXI, LE	P = Plymouth, AWD		EDZ = 2.4L 4 Cyl DOHC 16V SMPI Engine	DGL = 4-Speed Automatic Transmission
S = Limited	K = Dodge, FWD		EFA = 3.0L V6 SMPI Engine	DGM = 3-Spd. Automatic 31TH Transmission
X = ES	Y = Chrysler, FWD		EGA = 3.3L V6 OHV Engine	DGO = All Automatic Transmissions
	H = Plymouth, FWD		EGH = 3.8L V6 OHV Engine	
			EGM = 3.3L V6 OHV FFV Engine	

AR = use ase required - = Non illustrated part

Suspension, Front
Figure 2-145



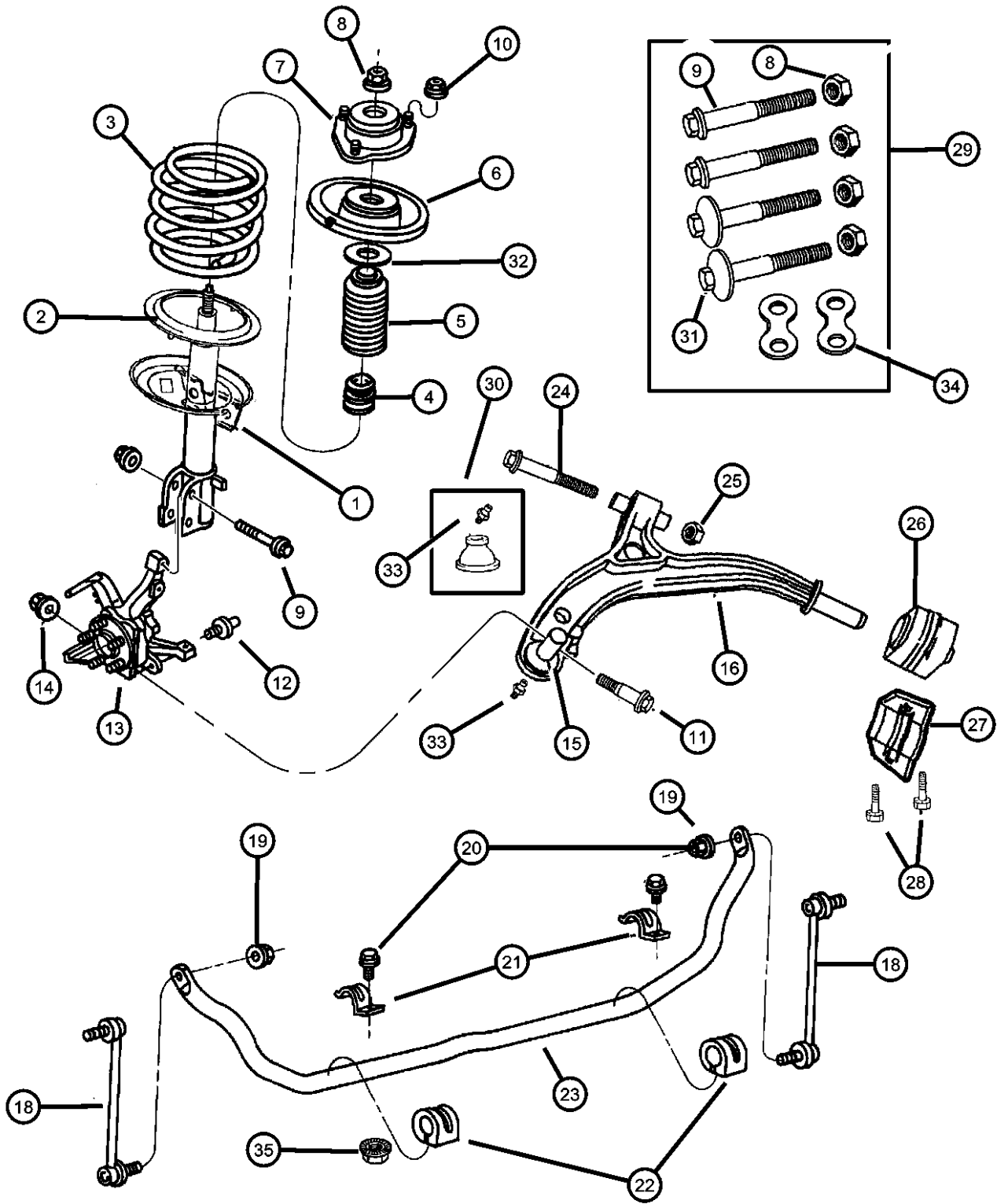
ITEM	PART NUMBER	QTY	LINE	SERIES	BODY	ENGINE	TRANS	TRIM	DESCRIPTION
5	04684443	2							SHIELD, Shock Absorber Dust, Dust Front Susp Strut
6	04684136	2							SEAT, Spring
7	04684129	2							MOUNT, Strut
8	06502698	2	H		52				NUT, Hex Flange Lock, Strut Mount or Knuckle 21MM Hex Lock
9	06503307	4							BOLT, Hex Head, M14 x 2.0 x 74.00, Strut to Knuckle 21MM Hex Lock
10	06101445	1							NUT AND WASHER, Hex Nut-Coned Washer, M8 x 1.25, Coned Washer Strut Mount to Fender
11	06502336	2							BOLT, Hex Head, M14x2.0x57
12	06503304	2							STUD, Wheel Stop, M12-1.50x40.00 18MM Hex
13									KNUCKLE, Front, w/o Hub and Bearing
	04684458	1							w/BRA 14" Brakes, Right
	04684459	1							w/BRA 14" Brakes, Left
	04694822	1							w/BRB,BRV,BRE 15" Brakes Also use 6101056 Screw, Right
	04694823	1							w/BRB,BRV,BRE 15" Brakes Also use 6101056 Screw, Left
14	06502335	2							NUT, Hex Lock, M14 x 2.00, Knuckle to LCA Ball Joint 21MM Hex
15	04694747	1							BALL JOINT, Lower Control Arm
16									ARM, Control
	04694760AC	1							Right
	04694761AC	1							Left
-17	04684120	1							BUSHING, Pivot, Front
18	04694855	2							LINK, Sway Eliminator, Sway Eliminator
19	06503870	4							NUT AND WASHER, Hex Lock Nut-Coned Washer, M12 x 1.75, Link to Sway Bar 18MM Hex Lock
20	06502954	3				EFA			SCREW AND WASHER, Hex Head, M10x1.5x53, Hex Hd Sway Elim to C/Member

CARAVAN, VOYAGER, TOWN AND COUNTRY (NS)

SERIES	LINE	BODY	ENGINE	TRANSMISSION
L = Base	C = Chrysler, AWD	52 = 113.3 SWB	EGP = 3.3L V6 CNG Engine	DAC = Single Speed Transmission
H = LX, depor, SE	D = Dodge, AWD	53 = 119.3 LWB	E98 = Electric Motor	DGC = 3-Speed Automatic Transmission
P = LXI, LE	P = Plymouth, AWD		EDZ = 2.4L 4 Cyl DOHC 16V SMPI Engine	DGL = 4-Speed Automatic Transmission
S = Limited	K = Dodge, FWD		EFA = 3.0L V6 SMPI Engine	DGM = 3-Spd. Automatic 31TH Transmission
X = ES	Y = Chrysler, FWD		EGA = 3.3L V6 OHV Engine	DGO = All Automatic Transmissions
	H = Plymouth, FWD		EGH = 3.8L V6 OHV Engine	
			EGM = 3.3L V6 OHV FFV Engine	

AR = use ase required - = Non illustrated part

Suspension, Front
Figure 2-145



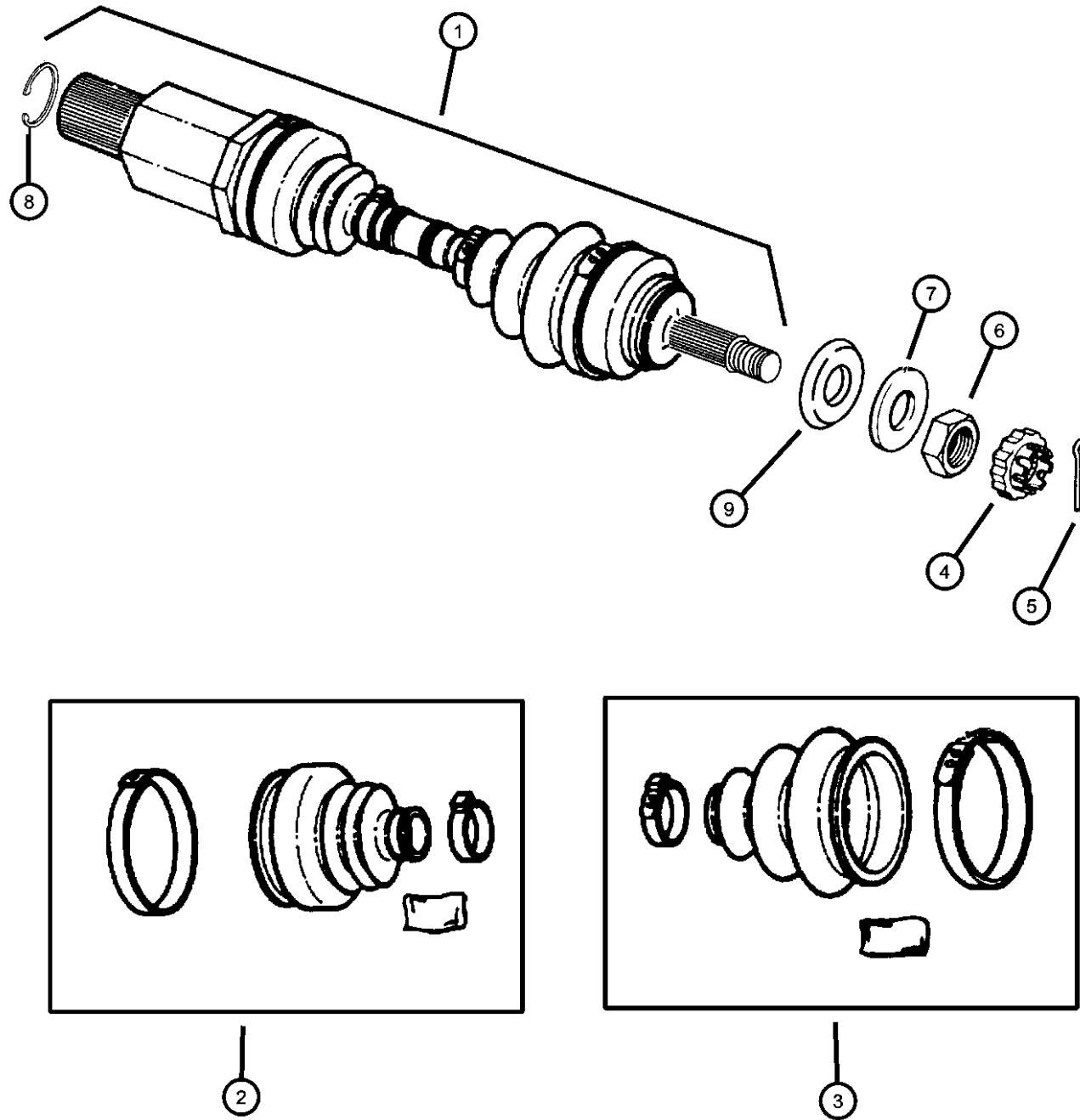
ITEM	PART NUMBER	QTY	LINE	SERIES	BODY	ENGINE	TRANS	TRIM	DESCRIPTION
21	04684298	2							CLAMP, Stabilizer Bar to Sill, Sway Elim to C/Member
22	04684890	2							CUSHION, Sway Eliminator, Sway Bar Frt Susupension
23	04694751	1							BAR, Front Sway
24	06504508	2							BOLT, Hex Head, M14 x 2.00 x 120.00, Front Susp Control Arm Pivot
25	06502698	2	H		52				NUT, M14x2.00 21MM Hex Control Arm Pivot
26	06502698	2							RETAINER, (Service on Item 16), (NOT SERVICED)
27	04694777	2							RETAINER, Lower Control Arm, LCA to Cradle
28	06101848	4							SCREW AND WASHER, Hex Head, M10-1.50x30, Hex Hd LCA Bracket to Cradle
29	04797723	1							BOLT PACKAGE, Camber Adjustment
30	04797449	1							SEAL PACKAGE, Suspension
31	06503308	4							BOLT, Cam, M14 x 2.0 x 74.00
32	04684418	AR							BEARING, Strut Mount, Spring Seat
33	04694745	1							FITTING, Ball Joint, Zirc
34	04684637	2							WASHER, Dog Bone Strut, Strut Atch (Dog Bone)
35	06502696	2							NUT, Hex Flange Lock, M14x1.50, Swaybar Bracket to Crossmember
-36	06504593	4							SCREW AND WASHER, Hex Head, M14x2.00x125.00, Hex Hd Isolator to body (Crossmember)
-37	04743547	2	H, K, Y						DAMPER, Strut, w/Elect-Van (SDB)
-38	04684548	1							BUSHING, Lower Control Arm, Rear Pivot

CARAVAN, VOYAGER, TOWN AND COUNTRY (NS)

SERIES	LINE	BODY	ENGINE	TRANSMISSION
L = Base	C = Chrysler, AWD	52 = 113.3 SWB	EGP = 3.3L V6 CNG Engine	DAC = Single Speed Transmission
H = LX, depor, SE	D = Dodge, AWD	53 = 119.3 LWB	E98 = Electric Motor	DGC = 3-Speed Automatic Transmission
P = LXI, LE	P = Plymouth, AWD		EDZ = 2.4L 4 Cyl DOHC 16V SMPI Engine	DGL = 4-Speed Automatic Transmission
S = Limited	K = Dodge, FWD		EFA = 3.0L V6 SMPI Engine	DGM = 3-Spd. Automatic 31TH Transmission
X = ES	Y = Chrysler, FWD		EGA = 3.3L V6 OHV Engine	DGO = All Automatic Transmissions
	H = Plymouth, FWD		EGH = 3.8L V6 OHV Engine	
			EGM = 3.3L V6 OHV FFV Engine	

AR = use ase required - = Non illustrated part

Shaft, Front Drive
Figure 2-245



ITEM	PART NUMBER	QTY	LINE	SERIES	BODY	ENGINE	TRANS	TRIM	DESCRIPTION
1	04641981	1	H, K, Y						SHAFT, Front Drive Tag# 4641981, Left
		1	C, D, P		53				Tag# 4641981, Left
	04660288AB	1	C, D, P		53				Tag# 4660288AB, Right
	04808568	1	H, K, Y						Tag# 4808568, Right
2									BOOT KIT, Half Shaft, Inner Right
	04797699	1							Left
	04797700	1							
3	04641181	2							BOOT KIT, Half Shaft, Outer
4									NUT AND WASHER PACKAGE, Front Hub
	04293167	2	H, K, Y						
		4	C, D, P		53				
5									PIN, Cotter, M5x36.00
	06500336	2	H, K, Y						
		4	C, D, P		53				
6									NUT, Hub, M22x1.5
	06500298	2	H, K, Y						
		4	C, D, P		53				
7									WASHER, Flat, M23x38.0x405 Hub ID=M23 OD=38.0 THK=4.05
	06503352	2	H, K, Y						Hub ID=M23 OD=38.0 THK=4.05
		4	C, D, P		53				
8	04797704	2							CIRCLIP, Half Shaft
9	04641698	1							SHIELD, Wheel Bearing

CARAVAN, VOYAGER, TOWN AND COUNTRY (NS)

SERIES	LINE	BODY
L = Base	C = Chrysler, AWD	52 = 113.3 SWB
H = LX, depor, SE	D = Dodge, AWD	53 = 119.3 LWB
P = LXI, LE	P = Plymouth, AWD	
S = Limited	K = Dodge, FWD	
X = ES	Y = Chrysler, FWD	
	H = Plymouth, FWD	

ENGINE	TRANSMISSION
EGP = 3.3L V6 CNG Engine	DAC = Single Speed Transmission
E98 = Electric Motor	DGC = 3-Speed Automatic Transmission
EDZ = 2.4L 4 Cyl DOHC 16V SMPI Engine	DGL = 4-Speed Automatic Transmission
EFA = 3.0L V6 SMPI Engine	DGM = 3-Spd. Automatic 31TH Transmission
EGA = 3.3L V6 OHV Engine	DGO = All Automatic Transmissions
EGH = 3.8L V6 OHV Engine	
EGM = 3.3L V6 OHV FFV Engine	

AR = use ase required - = Non illustrated part

1998 NS

Group - 3

Rear Axle

Group - 3 Rear Axle

Group-Fig. No.

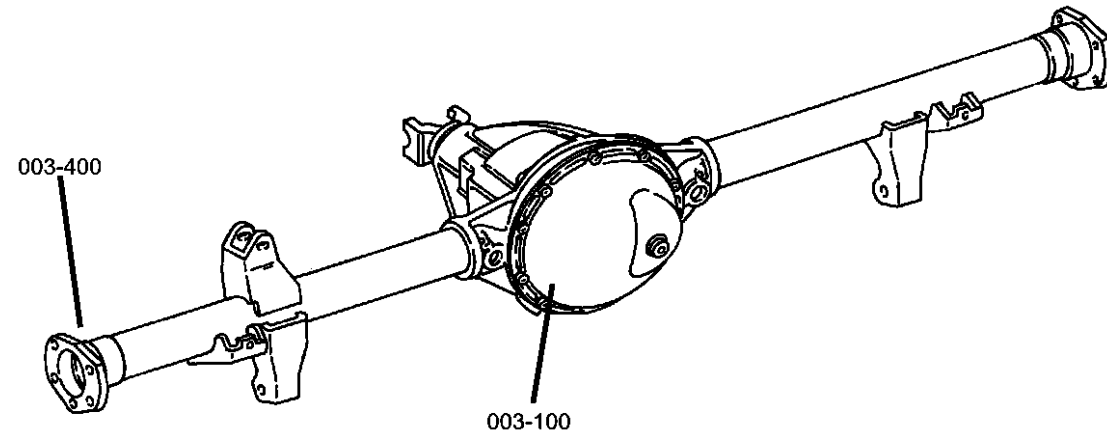
Illustration Title

Rear Axle

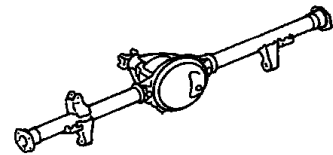
Differential, Rear,Awd Fig. 3 - 115
 Torque Tube Assembly,Awd Fig. 3 - 130

Rear Axle Shafts

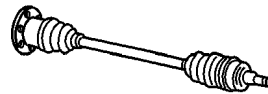
Shaft, Rear Axle,Awd Fig. 3 - 420



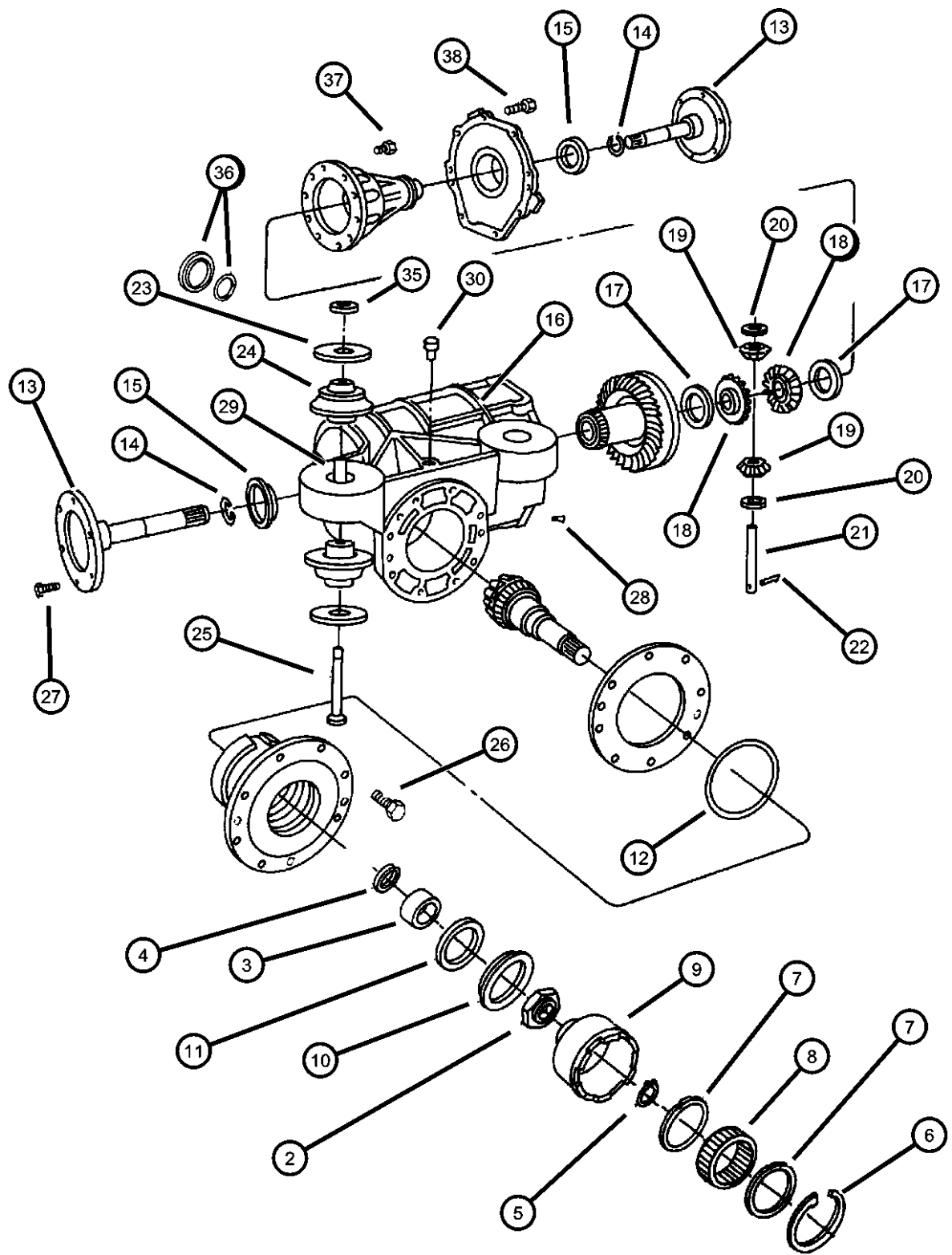
003-100
Rear Axle



003-400
Rear Axle Shafts



Differential, Rear,Awd
Figure 3-115



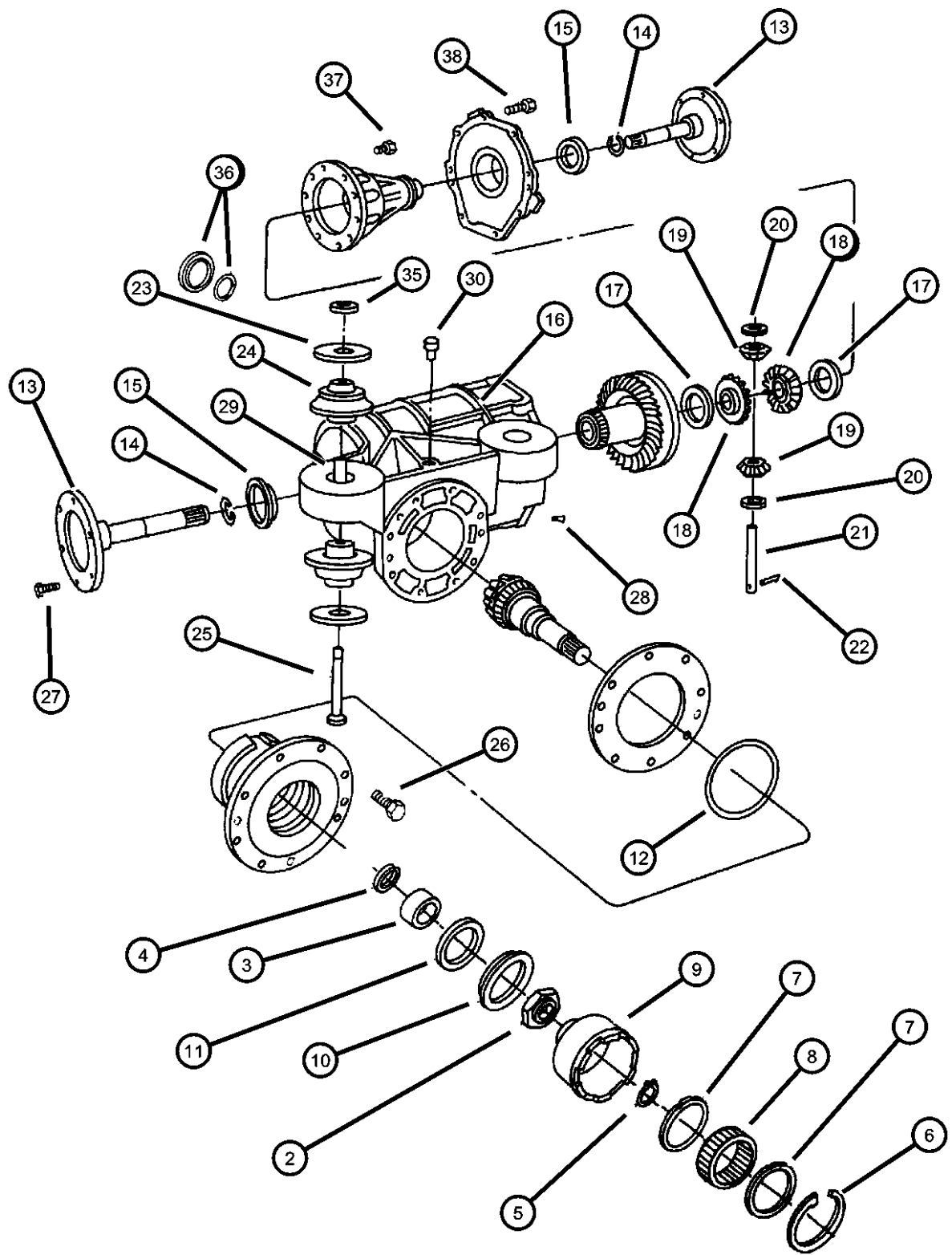
ITEM	PART NUMBER	QTY	LINE	SERIES	BODY	ENGINE	TRANS	TRIM	DESCRIPTION
-1	04518960	1	C, D, P		53				CARRIER, Differential, Assembly Complete
2	04518766	1	C, D, P		53				NUT, Hex Flange Lock, M30X1.50
3	04518143	1	C, D, P		53				SPACER, Drive Pinion
4	04641415	AR	C, D, P		53				SHIM, Output Shaft, 4.67 - 4.69mm
5	04486755	2	C, D, P		53				SNAP RING
6	04659652	1							SNAP RING
7	04518536	1	C, D, P		53				SPACER, Overrunning Clutch
8	04518953	1	C, D, P		53				CLUTCH, Rear Axle, Over Running
9	04518510	1	C, D, P		53				RACE, Overrunning Clutch
10	04637109	1	C, D, P		53				SEAL PACKAGE, Differential Carrier
11	04637109	1	C, D, P		53				SEAL PACKAGE, Differential Carrier
12	04486077	1	C, D, P		53				O RING, PTU Case Rear Cover
13	04518920	2	C, D, P		53				OUTPUT SHAFT, Rear Axle, Carrier Output
14	04518780	2	C, D, P		53				SNAP RING, Joint Retaining
15	04641263	1	C, D, P		53				SEAL, Extension
16	04641263	1							CASE ASSEMBLY, Differential, Rear Differential (Serviced in Assembly), (NOT SERVICED)
17	04504568	AR							WASHER PACKAGE, Side Gear Thrust, .028/.026, .033/.031, .038/.036
18	04659502	2							GEAR, Differential Side
19	04348679	2							PINION, Differential
20	04137024	2	C, D, P		53				WASHER, Pinion Thrust, Pinion Gear
21	04659142	1							SHAFT, Pinion Gear
22	06503827	1							PIN, Pinion Shaft
23	04486903	2	C, D, P		53				WASHER, Rear Axle Isolator, ID=M11 OD=65.00 THK=0.40
24	04486901	4	C, D, P		53				BUSHING, Isolator, Carrier (Rubber)
25	04518329	1	C, D, P		53				BOLT, Rear Carrier
26	04518329	1							SCREW, (NOT SERVICED)

CARAVAN, VOYAGER, TOWN AND COUNTRY (NS)

SERIES	LINE	BODY	ENGINE	TRANSMISSION
L = Base	C = Chrysler, AWD	52 = 113.3 SWB	EGP = 3.3L V6 CNG Engine	DAC = Single Speed Transmission
H = LX, depor, SE	D = Dodge, AWD	53 = 119.3 LWB	E98 = Electric Motor	DGC = 3-Speed Automatic Transmission
P = LXI, LE	P = Plymouth, AWD		EDZ = 2.4L 4 Cyl DOHC 16V SMPI Engine	DGL = 4-Speed Automatic Transmission
S = Limited	K = Dodge, FWD		EFA = 3.0L V6 SMPI Engine	DGM = 3-Spd. Automatic 31TH Transmission
X = ES	Y = Chrysler, FWD		EGA = 3.3L V6 OHV Engine	DGO = All Automatic Transmissions
	H = Plymouth, FWD		EGH = 3.8L V6 OHV Engine	
			EGM = 3.3L V6 OHV FFV Engine	

AR = use ase required - = Non illustrated part

Differential, Rear,Awd
Figure 3-115



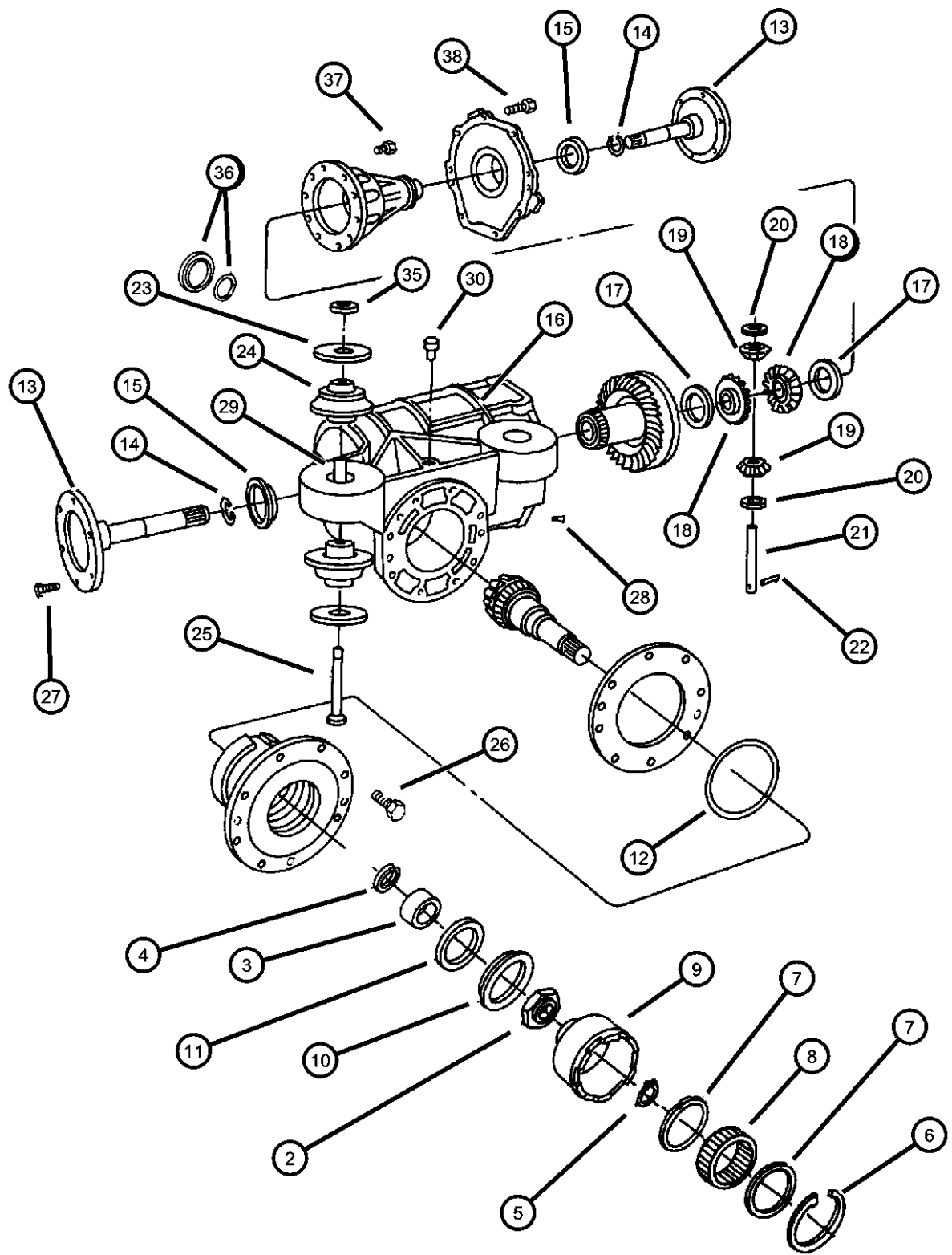
ITEM	PART NUMBER	QTY	LINE	SERIES	BODY	ENGINE	TRANS	TRIM	DESCRIPTION
27	06502350	12	C, D, P		53				BOLT, Hex Flange Head, M10x1.50x25, Axle Shaft to Output Shaft
28	04486046	1	C, D, P		53				MAGNET, Power Take Off, Rear Drive Module End Cover
29	04486902	4	C, D, P		53				SLEEVE, Carrier Rubber, Isolator
30	02124715	1	C, D, P		53				VENT, Cap, Jiggle
-31	04641681	1	C, D, P		53				HOSE, Axle Vent
-32	04641290	AR							RESERVOIR, Rear Carrier, Remote Vent
-33	04213328	1							VENT, Cap, Hose
-34	04641701	1	C, D, P		53				CLAMP, Axle Vent, Assembly
35	04518308	2	C, D, P		53				WASHER, Rear Axle Isolator, ID=M11 OD=65.00 THK=0.40
36	04637108	1	C, D, P		53				PLUG PACKAGE, Fill
37	04637108	1							BOLT, Ring Gear, (NOT SERVICED)
38	06504171	6	C, D, P		53				SCREW, Hex Flange Head, M8x1.25x32
-39	04641416	AR	C, D, P		53				SHIM, Output Shaft, 4.70 - 4.72mm
-40	04641417	AR	C, D, P		53				SHIM, Output Shaft, 4.73 - 4.75mm
-41	04641418	AR	C, D, P		53				SHIM, Output Shaft, 4.76 - 4.78mm
-42	04641419	AR	C, D, P		53				SHIM, Output Shaft, 4.79 - 4.81mm
-43	04641420	AR	C, D, P		53				SHIM, Output Shaft, 4.82 - 4.84mm
-44	04641421	AR	C, D, P		53				SHIM, Output Shaft, 4.85 - 4.87mm
-45	04641422	AR	C, D, P		53				SHIM, Output Shaft, 4.88 - 4.90mm
-46	04641423	AR	C, D, P		53				SHIM, Output Shaft, 4.91 - 4.93mm
-47	04641424	AR	C, D, P		53				SHIM, Output Shaft, 4.94 - 4.96mm
-48	04641425	AR	C, D, P		53				SHIM, Output Shaft, 4.97 - 4.99mm
-49	04641426	AR	C, D, P		53				SHIM, Output Shaft, 5.00 - 5.02mm
-50	04641427	AR	C, D, P		53				SHIM, Output Shaft, 5.03 - 5.05mm
-51	04641428	AR	C, D, P		53				SHIM, Output Shaft, 5.06 - 5.08mm
-52	04641429	AR	C, D, P		53				SHIM, Output Shaft, 5.09 - 5.11mm
-53	04641430	AR	C, D, P		53				SHIM, Output Shaft, 5.12 - 5.14mm
-54	04641431	AR	C, D, P		53				SHIM, Output Shaft, 5.15 - 5.17mm

CARAVAN, VOYAGER, TOWN AND COUNTRY (NS)

SERIES	LINE	BODY	ENGINE	TRANSMISSION
L = Base	C = Chrysler, AWD	52 = 113.3 SWB	EGP = 3.3L V6 CNG Engine	DAC = Single Speed Transmission
H = LX, depor, SE	D = Dodge, AWD	53 = 119.3 LWB	E98 = Electric Motor	DGC = 3-Speed Automatic Transmission
P = LXI, LE	P = Plymouth, AWD		EDZ = 2.4L 4 Cyl DOHC 16V SMPI Engine	DGL = 4-Speed Automatic Transmission
S = Limited	K = Dodge, FWD		EFA = 3.0L V6 SMPI Engine	DGM = 3-Spd. Automatic 31TH Transmission
X = ES	Y = Chrysler, FWD		EGA = 3.3L V6 OHV Engine	DGO = All Automatic Transmissions
	H = Plymouth, FWD		EGH = 3.8L V6 OHV Engine	
			EGM = 3.3L V6 OHV FFV Engine	

AR = use ase required - = Non illustrated part

Differential, Rear,Awd
Figure 3-115



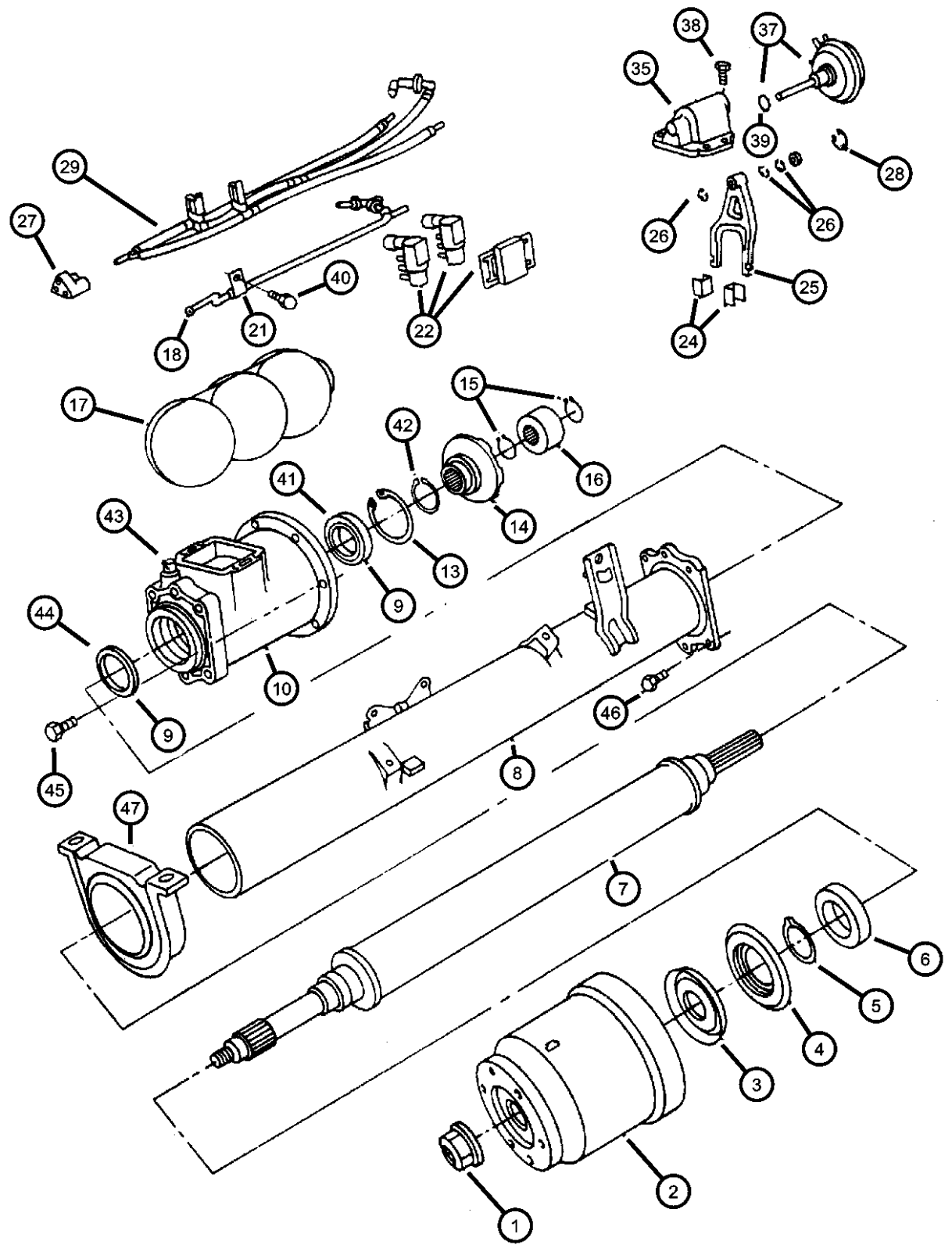
ITEM	PART NUMBER	QTY	LINE	SERIES	BODY	ENGINE	TRANS	TRIM	DESCRIPTION
-55	04641432	AR	C, D, P		53				SHIM, Output Shaft, 5.18 - 5.20mm
-56	04641433	AR	C, D, P		53				SHIM, Output Shaft, 5.21 - 5.23mm
-57	04641434	AR	C, D, P		53				SHIM, Output Shaft, 5.24 - 5.26mm
-58	04641435	AR	C, D, P		53				SHIM, Output Shaft, 5.27 - 5.29mm
-59	04641436	AR	C, D, P		53				SHIM, Output Shaft, 5.30 - 5.35mm
-60	04641437	AR	C, D, P		53				SHIM, Output Shaft, 5.33 - 5.35mm
-61	04641438	AR	C, D, P		53				SHIM, Output Shaft, 5.36 - 5.38mm
-62	04641439	AR	C, D, P		53				SHIM, Output Shaft, 5.39 - 5.41mm
-63	04641440	AR	C, D, P		53				SHIM, Output Shaft, 5.42 - 5.44mm
-64	04641441	AR	C, D, P		53				SHIM, Output Shaft, 5.45 - 5.47mm
-65	04641442	AR	C, D, P		53				SHIM, Output Shaft, 5.48 - 5.50mm
-66	04641443	AR	C, D, P		53				SHIM, Output Shaft, 5.51 - 5.53mm
-67	04641444	AR	C, D, P		53				SHIM, Output Shaft, 5.54 - 5.56mm
-68	04641445	AR	C, D, P		53				SHIM, Output Shaft, 5.57 - 5.59mm
-69	04641446	AR	C, D, P		53				SHIM, Output Shaft, 5.60 - 5.62mm
-70	04641447	AR	C, D, P		53				SHIM, Output Shaft, 5.63 - 5.65mm
-71	04641448	AR	C, D, P		53				SHIM, Output Shaft, 5.66 - 5.68mm
-72	04641449	AR	C, D, P		53				SHIM, Output Shaft, 5.69 - 5.71mm
-73	04412016	AR	C, D, P		53				THRUST WASHER, Differential, .051-.053
-74	04412017	AR	C, D, P		53				THRUST WASHER, Differential, .056-.058

CARAVAN, VOYAGER, TOWN AND COUNTRY (NS)

SERIES	LINE	BODY	ENGINE	TRANSMISSION
L = Base	C = Chrysler, AWD	52 = 113.3 SWB	EGP = 3.3L V6 CNG Engine	DAC = Single Speed Transmission
H = LX, depor, SE	D = Dodge, AWD	53 = 119.3 LWB	E98 = Electric Motor	DGC = 3-Speed Automatic Transmission
P = LXI, LE	P = Plymouth, AWD		EDZ = 2.4L 4 Cyl DOHC 16V SMPI Engine	DGL = 4-Speed Automatic Transmission
S = Limited	K = Dodge, FWD		EFA = 3.0L V6 SMPI Engine	DGM = 3-Spd. Automatic 31TH Transmission
X = ES	Y = Chrysler, FWD		EGA = 3.3L V6 OHV Engine	DGO = All Automatic Transmissions
	H = Plymouth, FWD		EGH = 3.8L V6 OHV Engine	
			EGM = 3.3L V6 OHV FFV Engine	

AR = use ase required - = Non illustrated part

Torque Tube Assembly, Awd
Figure 3-130



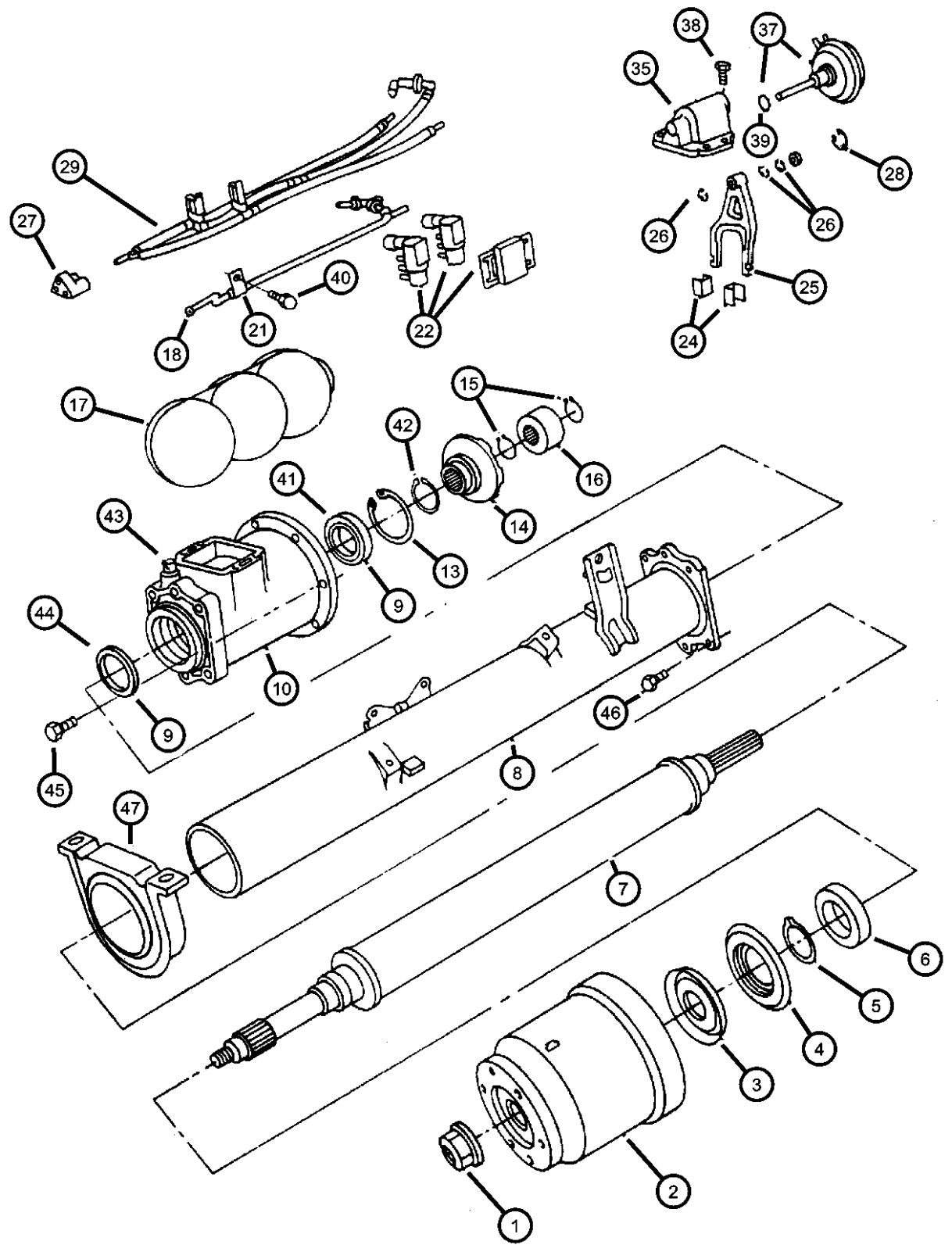
ITEM	PART NUMBER	QTY	LINE	SERIES	BODY	ENGINE	TRANS	TRIM	DESCRIPTION
1	04518903	1	C, D, P		53				NUT, Hex Flange Lock, M16x1.5, Viscous Coupling to Torque Shaft
2	04736325	1	C, D, P		53				VISCOUS COUPLING
3	04641756	1	C, D, P		53				PLATE, Transmission Module, GUARD Viscous Coupling
4	04641578	1	C, D, P		53				SHIELD, Bearing, Torque tube
5	04518551	1	C, D, P		53				RETAINING RING, Bearing
6	04486164	1	C, D, P		53				BEARING, Viscous Coupling, Torque Shaft Stub VCU End
7	04641630	1	C, D, P		53				SHAFT, Torque
8	04641810	1	C, D, P		53				TUBE, Torque, (Aluminum)
9	04637106	1	C, D, P		53				BEARING PACKAGE, Torque Shaft
10	04641222	1	C, D, P		53				CASE, Overrunning Clutch
-11	06035417	1	C		53				PLUG, Oil Drain, Filler (Side Case-Over Running Clutch)
-12	06032145	1	C, D, P		53				GASKET, Drain Plug, Flat (Drain Plug cover Fill Plug)
13	04486166	1	C, D, P		53				SNAP RING, ORC Bearing Retaining
14	04518945	1	C, D, P		53				CLUTCH, Torque Tube, ORC Dog
15	04486755	2	C, D, P		53				SNAP RING, ORC Race
16	04518944	1	C, D, P		53				RACE, Overrunning Clutch, ORC Inner
17	04518804	1	C, D, P		53				RESERVOIR, Vacuum, ORC
18	04641644	1	C, D, P		53				TUBE, Rear Axle Vacuum, ORC Rear Main Vaccum, Steel
-19	04641532	1	C, D, P		53				HARNESSE, Overrunning Clutch Vacuum, ORC Rear Main Vac (w/Vent and Tube Assy)
-20	04641005	1	C, D, P		53				CLAMP, Hose, Tube ORC Rear Main Vac
21	02207919	2	C, D, P		53				CLIP, Parking Brake Cable, Rear Main Vacuum to Torque Tube
22	05234219	1	C, D, P		53				SOLENOID, Overrunning Clutch, Vacuum-Dual
-23	05227034	1	C, D, P		53				BRACKET, Vacuum Solenoid, Dual Vac Sol
24	04338589	2	C, D, P		53				PAD, Shift Fork
25	04518939	1	C, D, P		53				FORK PACKAGE, Overrunning Clutch, Shift

CARAVAN, VOYAGER, TOWN AND COUNTRY (NS)

SERIES	LINE	BODY	ENGINE	TRANSMISSION
L = Base	C = Chrysler, AWD	52 = 113.3 SWB	EGP = 3.3L V6 CNG Engine	DAC = Single Speed Transmission
H = LX, depor, SE	D = Dodge, AWD	53 = 119.3 LWB	E98 = Electric Motor	DGC = 3-Speed Automatic Transmission
P = LXI, LE	P = Plymouth, AWD		EDZ = 2.4L 4 Cyl DOHC 16V SMPI Engine	DGL = 4-Speed Automatic Transmission
S = Limited	K = Dodge, FWD		EFA = 3.0L V6 SMPI Engine	DGM = 3-Speed. Automatic 31TH Transmission
X = ES	Y = Chrysler, FWD		EGA = 3.3L V6 OHV Engine	DGO = All Automatic Transmissions
	H = Plymouth, FWD		EGH = 3.8L V6 OHV Engine	
			EGM = 3.3L V6 OHV FFV Engine	

AR = use ase required - = Non illustrated part

Torque Tube Assembly,Awd
Figure 3-130



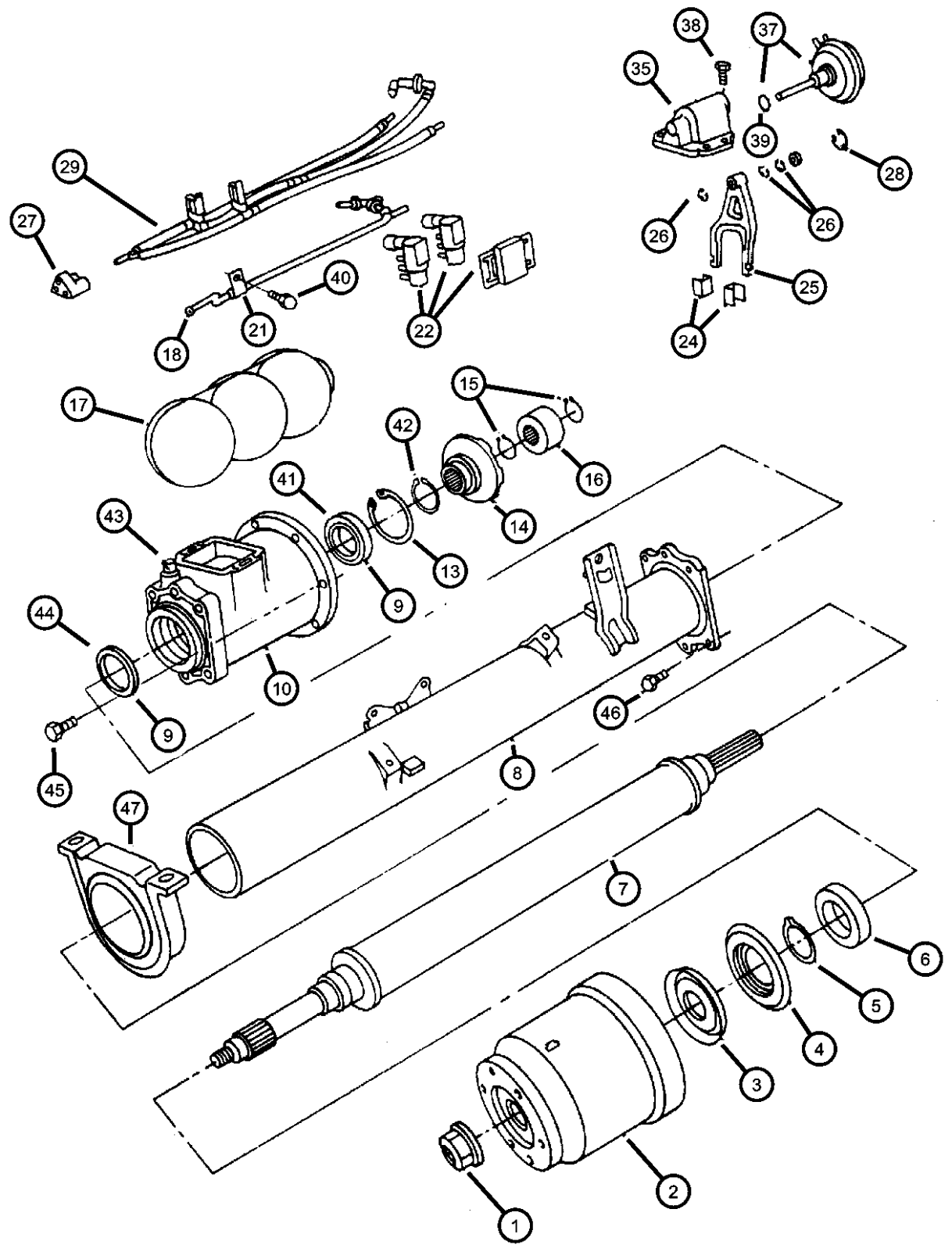
ITEM	PART NUMBER	QTY	LINE	SERIES	BODY	ENGINE	TRANS	TRIM	DESCRIPTION
26	06023878	2	C, D, P		53				SNAP RING, .302 ID .66 OD
27	04431325	1	C, D, P		53				CONNECTOR, Front Axle Vacuum Harness, Tube Reservoir to Solenoid Vac
28	06023879	1	C, D, P		53				SNAP RING, Vacuum Motor, Retainer ID=.483 OD=.94 THK=.044
29	04641532	1	C, D, P		53				HARNES, Overrunning Clutch Vacuum, Rear Main
-30	04641573	1	C, D, P		53				TUBE, Vacuum, Vacuum Front Main Harness
-31	04518881	2	C, D, P		53				SLEEVE, Tubing Cover, Vac Tube Over Running Clutch
-32	04100727	1	C, D, P		53				CONNECTOR, Manifold Vacuum, (4641712,4641713)
-33	04641015	2	C, D, P		53				CLAMP, Hose, Aluminum, (4641712,4641713)
-34	03671410	1	C, D, P		53				TEE, Washer Hose
35	04641223	1	C, D, P		53				HOUSING, Overrunning Actuator, ORC Shift Fork
-36	06023878	2	C, D, P		53				SNAP RING, .302 ID .66 OD, E-Ring Cover ORC Shift Fork
37	04641566	1	C, D, P		53				MOTOR, Axle Vacuum
38	06100166	4	C, D, P		53				BOLT, Hex Head, M10x25
39	04641017	1	C, D, P		53				O RING, Vacuum Motor
40	06503472	1	C, D, P		53				SCREW, Self Tapping, M6x1x17
41	04637106	1	C, D, P		53				BEARING PACKAGE, Torque Shaft
42	04518551	1	C, D, P		53				RETAINING RING, Bearing, w/4 Tabs
43	04641532	1	C, D, P		53				HARNES, Overrunning Clutch Vacuum, Case Over Running
44	04641532	1							SEAL, [See Item #41], (NOT SERVICED)
45	04641532	1							SCREW, (NOT SERVICED)
46	06504171	6	C, D, P		53				SCREW, Hex Flange Head, M8x1.25x32, Torque Tube to Case
47	04486317	1	C, D, P		53				BRACKET, Torque Shaft
-48	04641715	1	C, D, P		53				CLIP, Actuation Tube, (ORC)
-49	04518887	1	C, D, P		53				TUBE, Rear Axle Vent Solenoid

CARAVAN, VOYAGER, TOWN AND COUNTRY (NS)

SERIES	LINE	BODY	ENGINE	TRANSMISSION
L = Base	C = Chrysler, AWD	52 = 113.3 SWB	EGP = 3.3L V6 CNG Engine	DAC = Single Speed Transmission
H = LX, depor, SE	D = Dodge, AWD	53 = 119.3 LWB	E98 = Electric Motor	DGC = 3-Speed Automatic Transmission
P = LXI, LE	P = Plymouth, AWD		EDZ = 2.4L 4 Cyl DOHC 16V SMPI Engine	DGL = 4-Speed Automatic Transmission
S = Limited	K = Dodge, FWD		EFA = 3.0L V6 SMPI Engine	DGM = 3-Speed. Automatic 31TH Transmission
X = ES	Y = Chrysler, FWD		EGA = 3.3L V6 OHV Engine	DGO = All Automatic Transmissions
	H = Plymouth, FWD		EGH = 3.8L V6 OHV Engine	
			EGM = 3.3L V6 OHV FFV Engine	

AR = use ase required - = Non illustrated part

Torque Tube Assembly, Awd
Figure 3-130



ITEM	PART NUMBER	QTY	LINE	SERIES	BODY	ENGINE	TRANS	TRIM	DESCRIPTION
-50	04641708	1	C, D, P		53				VENT, Rear Axle Overrunning Clutch, (Rubber)
-51	04518591	2	C, D, P		53				TUBE, Vacuum, Rubber Vent
-52	06501586	8	C, D, P		53				SCREW, Hex Flange Head, ORC Case to Frt Carrier Cvr M8x1.25x40.00
-53	04486165	1	C, D, P		53				RETAINING RING, Bearing, 1.80, w/o Tabs
-54	04518943	7	C, D, P		53				CLIP, Tube To Crossmember, 1 Way
-55	04458158	1	C, D, P		53				FILTER, Vacuum Solenoid
-56	04458158	1							CONNECTOR, [In Line Vet (Service in Assy), (NOT SERVICED)
-57	04641015	2	C, D, P		53				CLAMP, Hose, Aluminum, Keystone
-58	04641008	1	C, D, P		53				CLAMP, Hose Steel Keystone

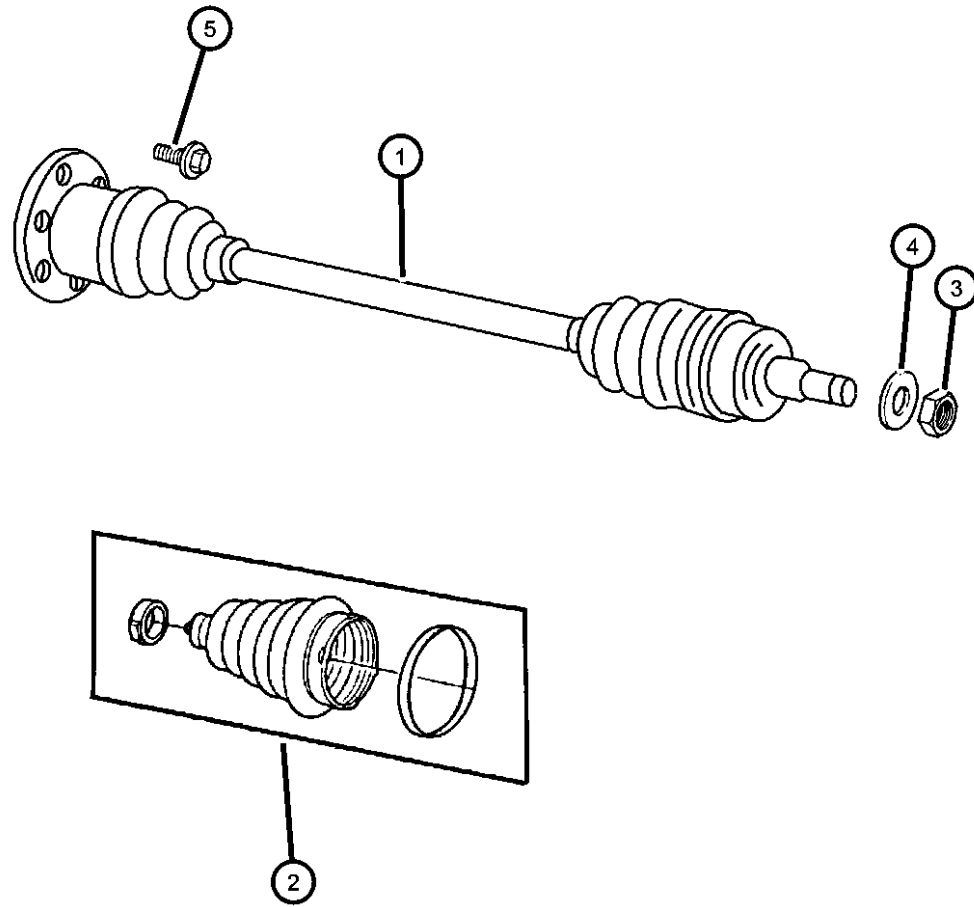
CARAVAN, VOYAGER, TOWN AND COUNTRY (NS)

SERIES	LINE	BODY	ENGINE	TRANSMISSION
L = Base	C = Chrysler, AWD	52 = 113.3 SWB	EGP = 3.3L V6 CNG Engine	DAC = Single Speed Transmission
H = LX, depor, SE	D = Dodge, AWD	53 = 119.3 LWB	E98 = Electric Motor	DGC = 3-Speed Automatic Transmission
P = LXI, LE	P = Plymouth, AWD		EDZ = 2.4L 4 Cyl DOHC 16V SMPI Engine	DGL = 4-Speed Automatic Transmission
S = Limited	K = Dodge, FWD		EFA = 3.0L V6 SMPI Engine	DGM = 3-Spd. Automatic 31TH Transmission
X = ES	Y = Chrysler, FWD		EGA = 3.3L V6 OHV Engine	DGO = All Automatic Transmissions
	H = Plymouth, FWD		EGH = 3.8L V6 OHV Engine	
			EGM = 3.3L V6 OHV FFV Engine	

AR = use ase required - = Non illustrated part

**Shaft, Rear Axle,Awd
Figure 3-420**

ITEM	PART NUMBER	QTY	LINE	SERIES	BODY	ENGINE	TRANS	TRIM	DESCRIPTION
1	04660588	2	C, D, P		53				SHAFT, Axle Half Up to 10-5-98
	04660588AB	2	C, D, P		53				After 10-5-98
2	04641245	2	C, D, P		53				BOOT KIT, Half Shaft Up to 10-5-98
	05016941AA	2	C, D, P		53				After 10-5-98
3	06500298	4	C, D, P		53				NUT, Hub, M22x1.5
4	06503352	4	C, D, P		53				WASHER, Flat, M23x38.0x405
5	06502350	12	C, D, P		53				BOLT, Hex Flange Head, M10x1.50x25



CARAVAN, VOYAGER, TOWN AND COUNTRY (NS)

SERIES	LINE	BODY	ENGINE	TRANSMISSION
L = Base	C = Chrysler, AWD	52 = 113.3 SWB	EGP = 3.3L V6 CNG Engine	DAC = Single Speed Transmission
H = LX, depor, SE	D = Dodge, AWD	53 = 119.3 LWB	E98 = Electric Motor	DGC = 3-Speed Automatic
P = LXI, LE	P = Plymouth, AWD		EDZ = 2.4L 4 Cyl DOHC 16V SMPI Engine	Transmission
S = Limited	K = Dodge, FWD		EFA = 3.0L V6 SMPI Engine	DGL = 4-Speed Automatic
X = ES	Y = Chrysler, FWD		EGA = 3.3L V6 OHV Engine	Transmission
	H = Plymouth, FWD		EGH = 3.8L V6 OHV Engine	DGM = 3-Spd. Automatic 31TH
			EGM = 3.3L V6 OHV FFV Engine	Transmission
				DGO = All Automatic Transmissions

AR = use ase required - = Non illustrated part

Group - 4

Parking Brake

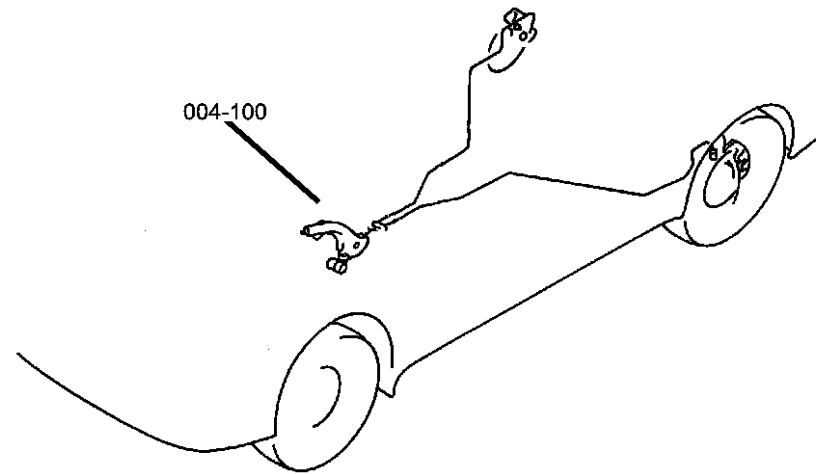
Group - 4 Parking Brake

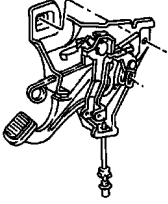
Group-Fig. No.

Illustration Title

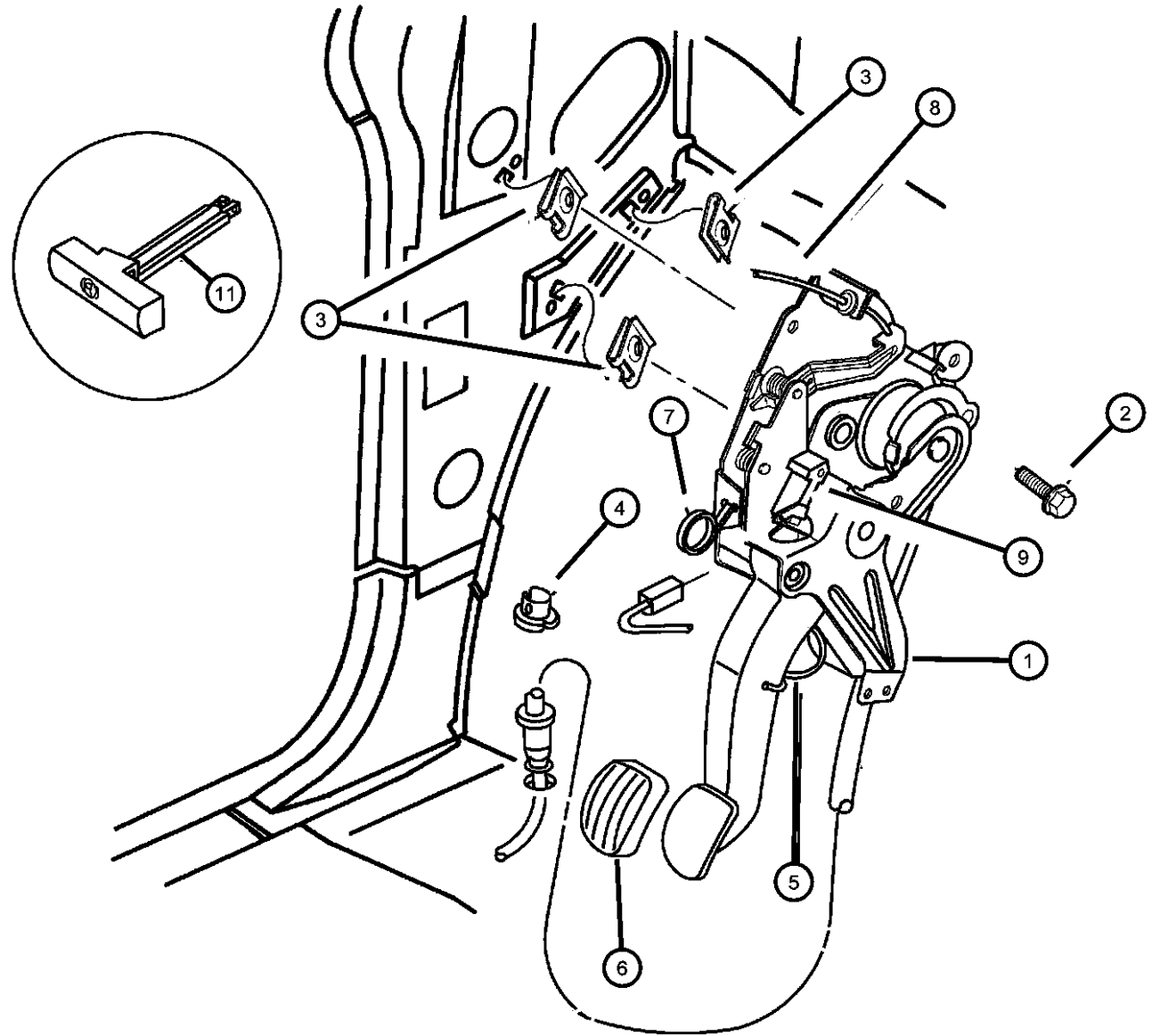
Parking Brake Lever and Cables

Lever, Parking Brake.....	Fig. 4 - 142
Cables, Parking Brake.....	Fig. 4 - 147



<p>004-100 Parking Brake Lever and Cables</p> 			
--	--	--	--

**Lever, Parking Brake
Figure 4-142**



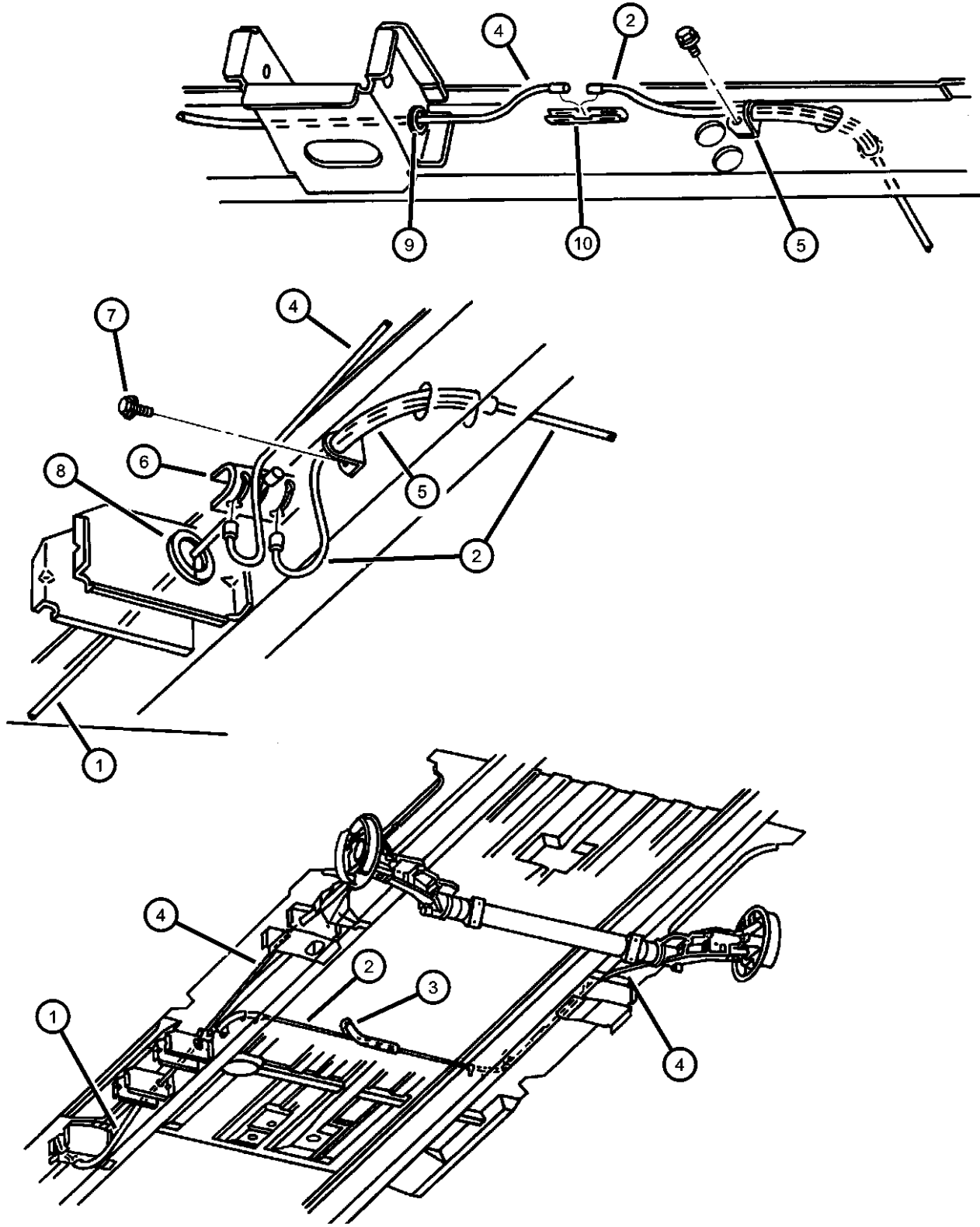
ITEM	PART NUMBER	QTY	LINE	SERIES	BODY	ENGINE	TRANS	TRIM	DESCRIPTION
1	04683277	1							LEVER, Park Brake
2	06503792	3							SCREW AND WASHER, Hex Head, M8-1.25x32.00
3	06101283	2							U-NUT, M8x1.25, Multi THD
4	04683544	1							Parking Brake Lever Mount
5	04683544	1							RETAINER, Parking Brake Cable
6	04683478	1							PIN, Auto Adjuster Lockout (Service in Assy), (NOT SERVICED)
7	04683478	1							PAD, Parking Brake Lever
8	04683282AB	1							TAB, Thumb, Lockout Pawl (Service in Assy), (NOT SERVICED)
9	04685395	1							CABLE, Parking Brake
-10	00154553	1							SWITCH, Parking Brake
11									SCREW, Hex Head, .19-16x1, Switch Mount
									HANDLE, Parking Brake
	0HV18RC3AB	1							(Mist Gray)
	0HV18RJKAB	1							(Med or Dark Silverfern)
	0HV18RK5AB	1							(Camel/Tan Agate)
-12	06032723	12							SCREW, Self Tapping, M4.2x1.69x19.05, I/P Park Brake Rel Handle to I/Pnl

CARAVAN, VOYAGER, TOWN AND COUNTRY (NS)

SERIES	LINE	BODY	ENGINE	TRANSMISSION
L = Base	C = Chrysler, AWD	52 = 113.3 SWB	EGP = 3.3L V6 CNG Engine	DAC = Single Speed Transmission
H = LX, depor, SE	D = Dodge, AWD	53 = 119.3 LWB	E98 = Electric Motor	DGC = 3-Speed Automatic Transmission
P = LXI, LE	P = Plymouth, AWD		EDZ = 2.4L 4 Cyl DOHC 16V SMPI Engine	DGL = 4-Speed Automatic Transmission
S = Limited	K = Dodge, FWD		EFA = 3.0L V6 SMPI Engine	DGM = 3-Spd. Automatic 31TH Transmission
X = ES	Y = Chrysler, FWD		EGA = 3.3L V6 OHV Engine	DGO = All Automatic Transmissions
	H = Plymouth, FWD		EGH = 3.8L V6 OHV Engine	
			EGM = 3.3L V6 OHV FFV Engine	

AR = use ase required - = Non illustrated part

Cables, Parking Brake
Figure 4-147



ITEM	PART NUMBER	QTY	LINE	SERIES	BODY	ENGINE	TRANS	TRIM	DESCRIPTION
1	04683285	1							CABLE, Parking Brake, Front Parking Brake
2	04683286	1							CABLE, Parking Brake, Intermediate
3	04683286	1							CUSHION, Intermediate Cable, (Service in Item 2), (NOT SERVICED)
4									CABLE, Parking Brake
	04683298AB	1	H, K, Y		52				(Drum), Right
	04683299	1	H, K, Y		52				(Drum), Left
	04683300AB	1	H, K, Y		53				(Drum), Right
	04683301	1	H, K, Y		53				(Drum), Left
	04721026AB	1	C, D, P		53				(Disc), Right
	04721027	1	C		53				(Disc), Left
5	04683496	2							GUIDE, Parking Brake Cable
6	04683287	1							EQUALIZER, Parking Brake Cable
7	04683287	1							SCREW, Cable Guide .312-18x.750, (NOT SERVICED)
8	04683580	1							GROMMET, Parking Brake Cable, Front Cable
9	04683581	1							GROMMET, Parking Brake Cable, Rear Cable
10	03766234	1							CONNECTOR, Intermediate to Rear

CARAVAN, VOYAGER, TOWN AND COUNTRY (NS)

SERIES	LINE	BODY	ENGINE	TRANSMISSION
L = Base	C = Chrysler, AWD	52 = 113.3 SWB	EGP = 3.3L V6 CNG Engine	DAC = Single Speed Transmission
H = LX, depor, SE	D = Dodge, AWD	53 = 119.3 LWB	E98 = Electric Motor	DGC = 3-Speed Automatic Transmission
P = LXI, LE	P = Plymouth, AWD		EDZ = 2.4L 4 Cyl DOHC 16V SMPI Engine	DGL = 4-Speed Automatic Transmission
S = Limited	K = Dodge, FWD		EFA = 3.0L V6 SMPI Engine	DGM = 3-Spd. Automatic 31TH Transmission
X = ES	Y = Chrysler, FWD		EGA = 3.3L V6 OHV Engine	DGO = All Automatic Transmissions Engine
	H = Plymouth, FWD		EGH = 3.8L V6 OHV Engine	
			EGM = 3.3L V6 OHV FFV Engine	

AR = use ase required - = Non illustrated part

Group - 5

Service Brakes

Group - 5 Service Brakes

Illustration Title

Group-Fig. No.

Front Brakes

Brakes, Front Fig. 5 - 110

Rear Brakes

Brakes, Rear Drum Fig. 5 - 232

Brakes, Rear Disc Fig. 5 - 240

Power Brake Booster

Booster, Power Brake Fig. 5 - 343

Brake Master Cylinder

Master Cylinder Fig. 5 - 416

Anti-Lock Brake Control Fig. 5 - 431

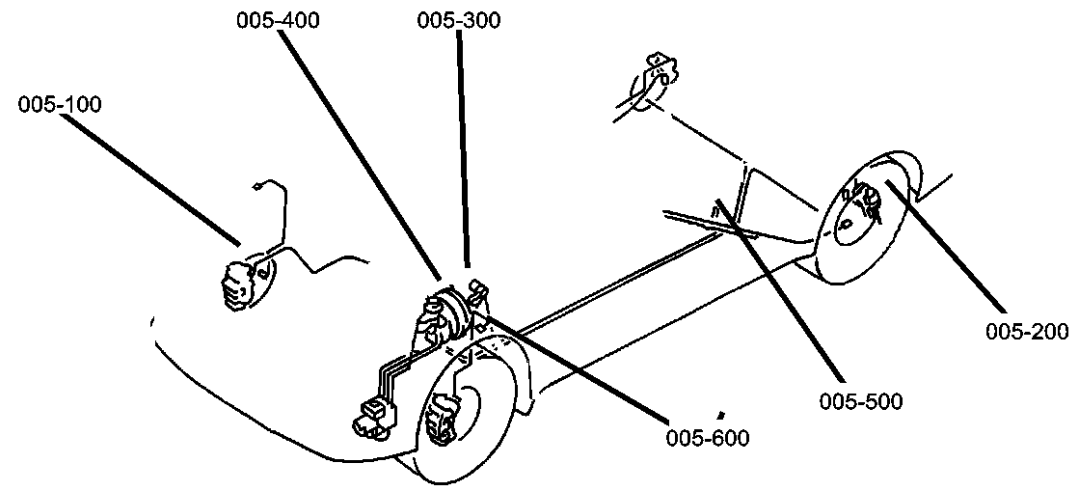
Brake Lines and Hoses

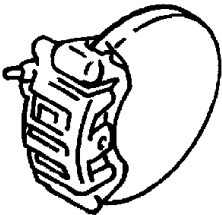
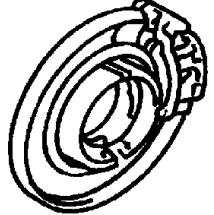
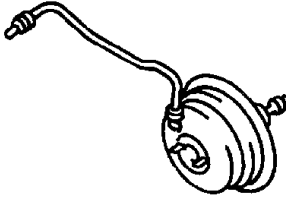
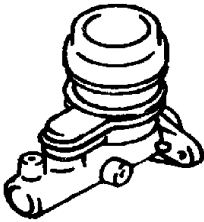
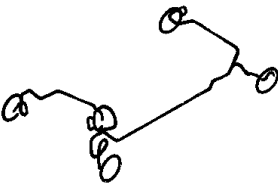

Lines and Hoses, Brake (1 of 2) Fig. 5 - 561

Lines and Hoses, Brake (2 of 2) Fig. 5 - 565

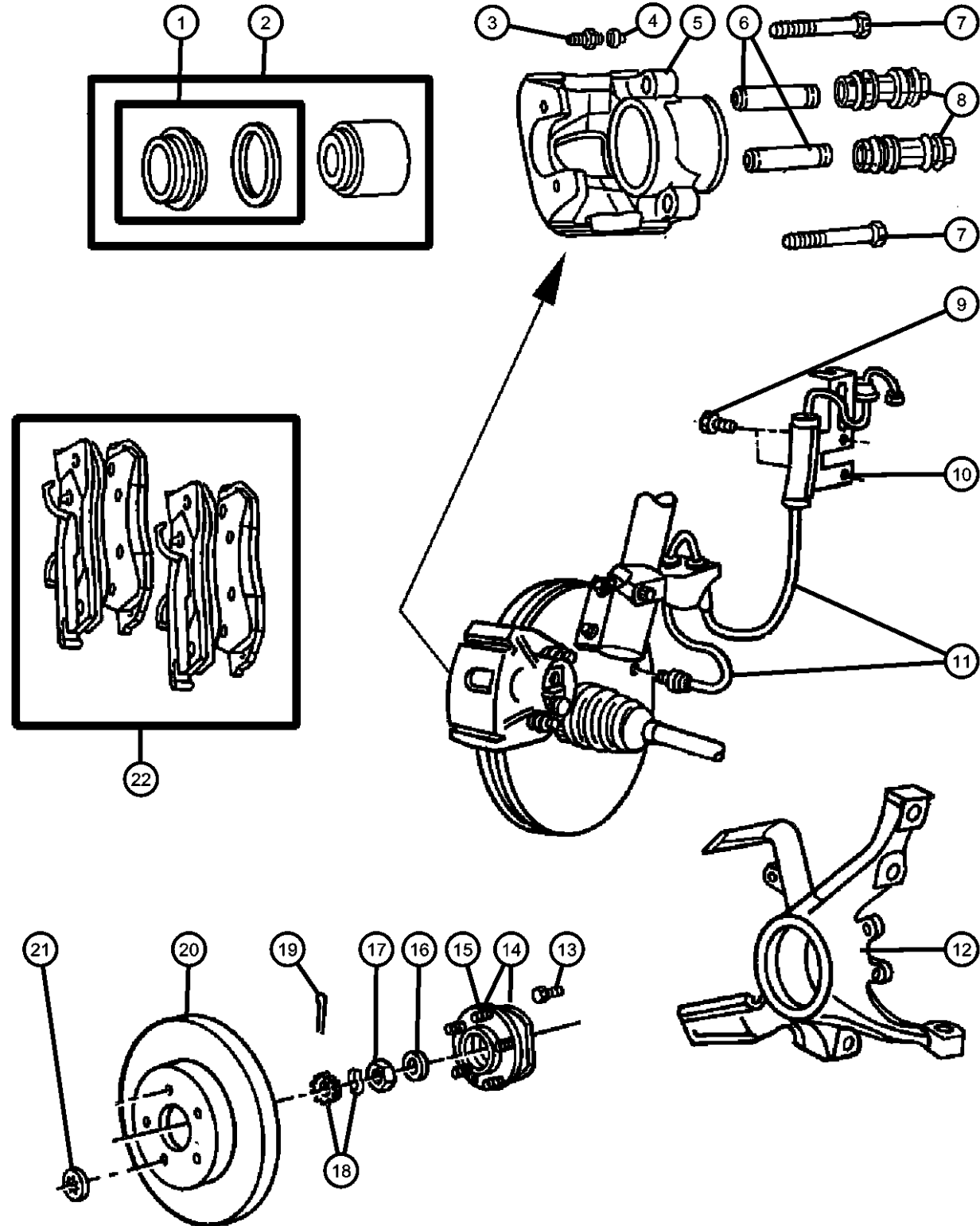
Brake Pedals

Pedal, Brake Fig. 5 - 645



<p>005-100 Front Brakes</p> 	<p>005-200 Rear Brakes</p> 	<p>005-300 Power Brake Booster</p> 	<p>005-400 Brake Master Cylinder</p> 
<p>005-500 Brake Lines and Hoses</p> 	<p>005-600 Brake Pedals</p> 		

Brakes,Front
Figure 5-110



ITEM	PART NUMBER	QTY	LINE	SERIES	BODY	ENGINE	TRANS	TRIM	DESCRIPTION
1	04364781	1							BOOT AND SEAL, Disc Brake
2	05086166AA	1							PISTON PACKAGE, Disc Brake
3	03780788	1							SCREW, Bleeder
4	04238717	1							CAP, Bleeder
5									CALIPER, Disc Brake
	05010032AA	1							Includes 2,3,4,6,8, Right
	05010033AA	1							Includes 2,3,4,6,8, Left
6	04423573	2							SLEEVE, Disc Brake Caliper
7	06502527	4							BOLT, Hex Flange Head, M8-1.25x68.50, Disc Brake Caliper, Mounting
8	04383471	2							BUSHING, Disc Brake Caliper
9	06035488	4							SCREW, Hex Flange Head Tapping, .25-14x.875, ABS Sensor, Mounting
10									BRACKET, Brake Sensor
	04797646	1							Right
	04797647	1							Left
11									SENSOR, Anti-Lock Brakes
	04683470	1							Right
	04683471	1							Left
12	04683471	1							KNUCKLE, Front, See Group 2, (NOT SERVICED)
13	06101055	4							SCREW AND WASHER, Hex Head, M10x1.5x45, Hub and Bearing to Knuckle, Mounting
14									HUB AND BEARING, Brake
	04641516	1							[BRA]
	04641517	1							[BRB,BRE,BRV]
	V2501517AA								Mopar V-Line Alternative Part
15	06502311	5							STUD, Hub

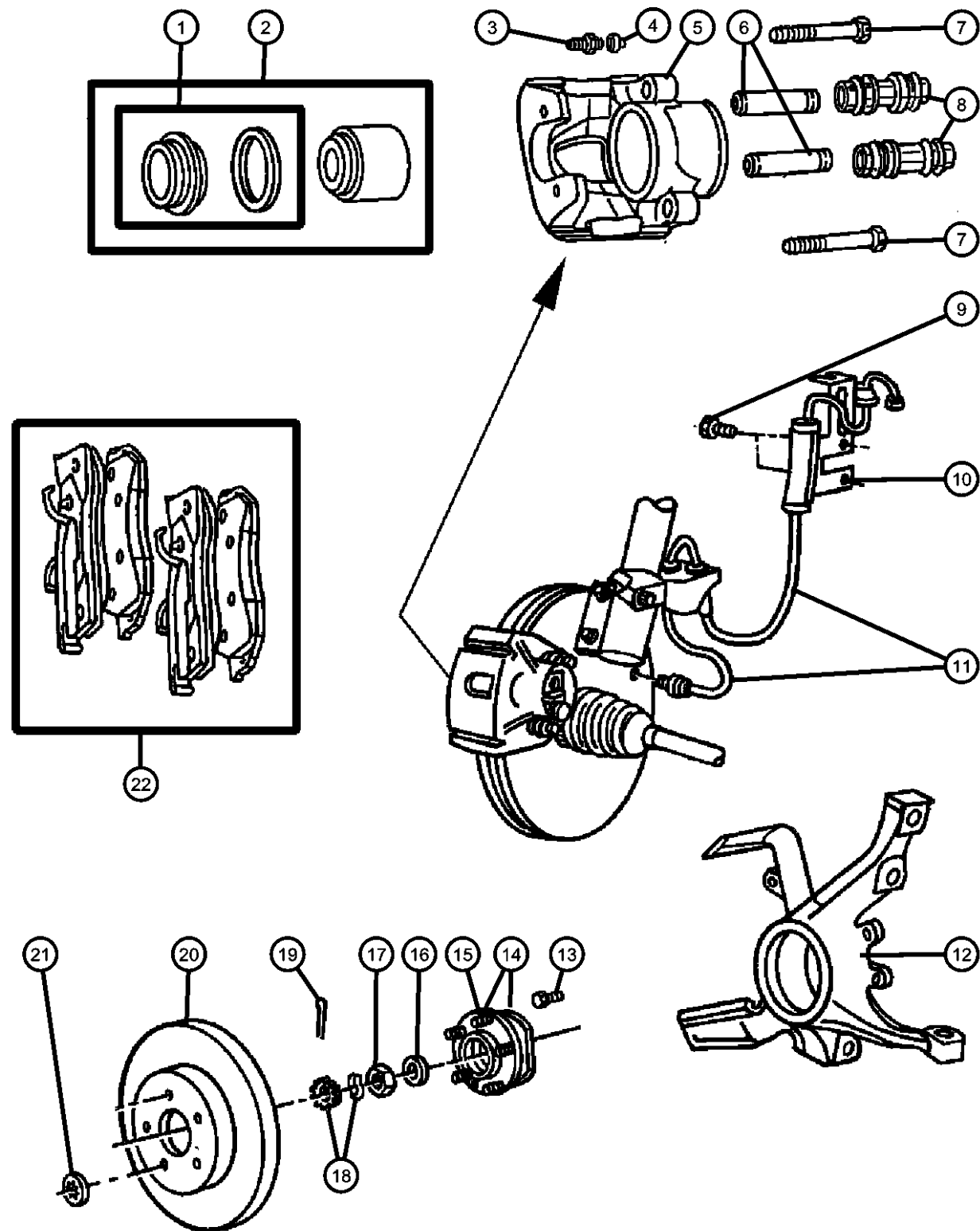
CARAVAN, VOYAGER, TOWN AND COUNTRY (NS)

SERIES	LINE	BODY	ENGINE	TRANSMISSION
L = Base	C = Chrysler, AWD	52 = 113.3 SWB	EGP = 3.3L V6 CNG Engine	DAC = Single Speed Transmission
H = LX, depor, SE	D = Dodge, AWD	53 = 119.3 LWB	E98 = Electric Motor	DGC = 3-Speed Automatic Transmission
P = LXI, LE	P = Plymouth, AWD		EDZ = 2.4L 4 Cyl DOHC 16V SMPI Engine	DGL = 4-Speed Automatic Transmission
S = Limited	K = Dodge, FWD		EFA = 3.0L V6 SMPI Engine	DGM = 3-Spd. Automatic 31TH Transmission
X = ES	Y = Chrysler, FWD		EGA = 3.3L V6 OHV Engine	DGO = All Automatic Transmissions
	H = Plymouth, FWD		EGH = 3.8L V6 OHV Engine	
			EGM = 3.3L V6 OHV FFV Engine	

AR = use ase required - = Non illustrated part

1998 NS

Brakes,Front
Figure 5-110



ITEM	PART NUMBER	QTY	LINE	SERIES	BODY	ENGINE	TRANS	TRIM	DESCRIPTION
16									WASHER, Flat, M23x38.0x405
	06503352	2	H, K, Y						
		2	C, D, P		53				
17									NUT, Hub, M22x1.5
	06500298	2	H, K, Y						
		2	C, D, P		53				
18	04293167	2							NUT AND WASHER PACKAGE
19									PIN, Cotter, M5x36.00
	06500336	2	H, K, Y						
		2	C, D, P		53				
20									ROTOR, Brake
	04683259	2	H, K, Y						[BRA]
	V5013259								Mopar V-Line Alternative Brake Rotors
	VNS14259								Make It New Brake Kits
	04721820	2							[BRE,BRV,BRB]
	V5011820AB								Mopar V-Line Alternative Brake Rotors
	V5011820								Mopar V-Line Alternative Part
21	04721820	2							NUT, Rotor Retainer, (NOT SERVICED),
22	04882107	1							PAD KIT, Front Disc Brake
	VOE14259								Make It Original Brake Kit
	VOE15107								Make It Original Brake Kit
	VCNS1520								Make It Ceramic Brake Kit
	BHKH5593								Mopar V-Line Alternative Part Disc Hardware
	BHKH5066								Mopar V-Line Alternative Part Caliper Bolts
	V3013107								Mopar V-Line Alternative Part Ceramic
	V1013107AD								Mopar V-Line Alternative Part
	VNS15107AC								Make It New Brake Kits

CARAVAN, VOYAGER, TOWN AND COUNTRY (NS)

SERIES	LINE	BODY	ENGINE	TRANSMISSION
L = Base	C = Chrysler, AWD	52 = 113.3 SWB	EGP = 3.3L V6 CNG Engine	DAC = Single Speed Transmission
H = LX, depor, SE	D = Dodge, AWD	53 = 119.3 LWB	E98 = Electric Motor	DGC = 3-Speed Automatic Transmission
P = LXI, LE	P = Plymouth, AWD		EDZ = 2.4L 4 Cyl DOHC 16V SMPI Engine	DGL = 4-Speed Automatic Transmission
S = Limited	K = Dodge, FWD		EFA = 3.0L V6 SMPI Engine	DGM = 3-Spd. Automatic 31TH Transmission
X = ES	Y = Chrysler, FWD		EGA = 3.3L V6 OHV Engine	DGO = All Automatic Transmissions
	H = Plymouth, FWD		EGH = 3.8L V6 OHV Engine	
			EGM = 3.3L V6 OHV FFV Engine	

AR = use ase required - = Non illustrated part

<< RETURN TO GROUP INDEX

This is the cut pages sample. Download all 613 page(s) at: ManualPlace.com