

VIN PLATE DECODING INFORMATION

Group - 2

Front Suspension & Drive

Group - 2 Front Suspension & Drive

Illustration Title

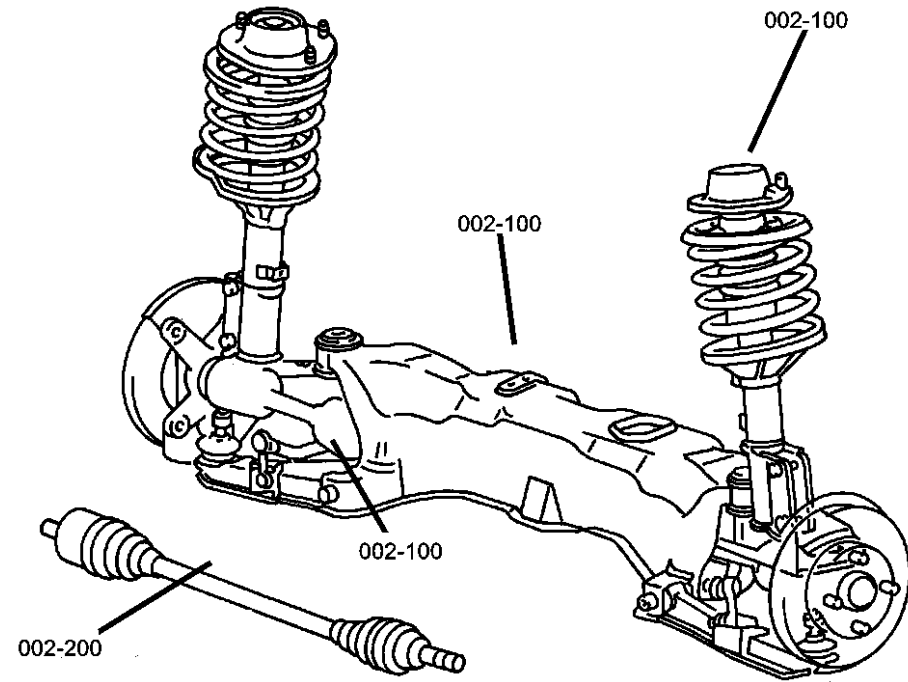
Group-Fig. No.

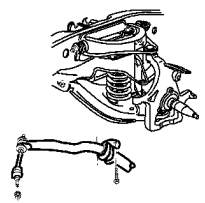
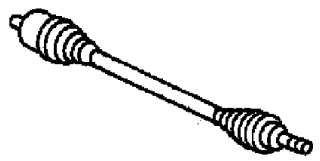
Front Suspension

Suspension, Front..... Fig. 2 - 145

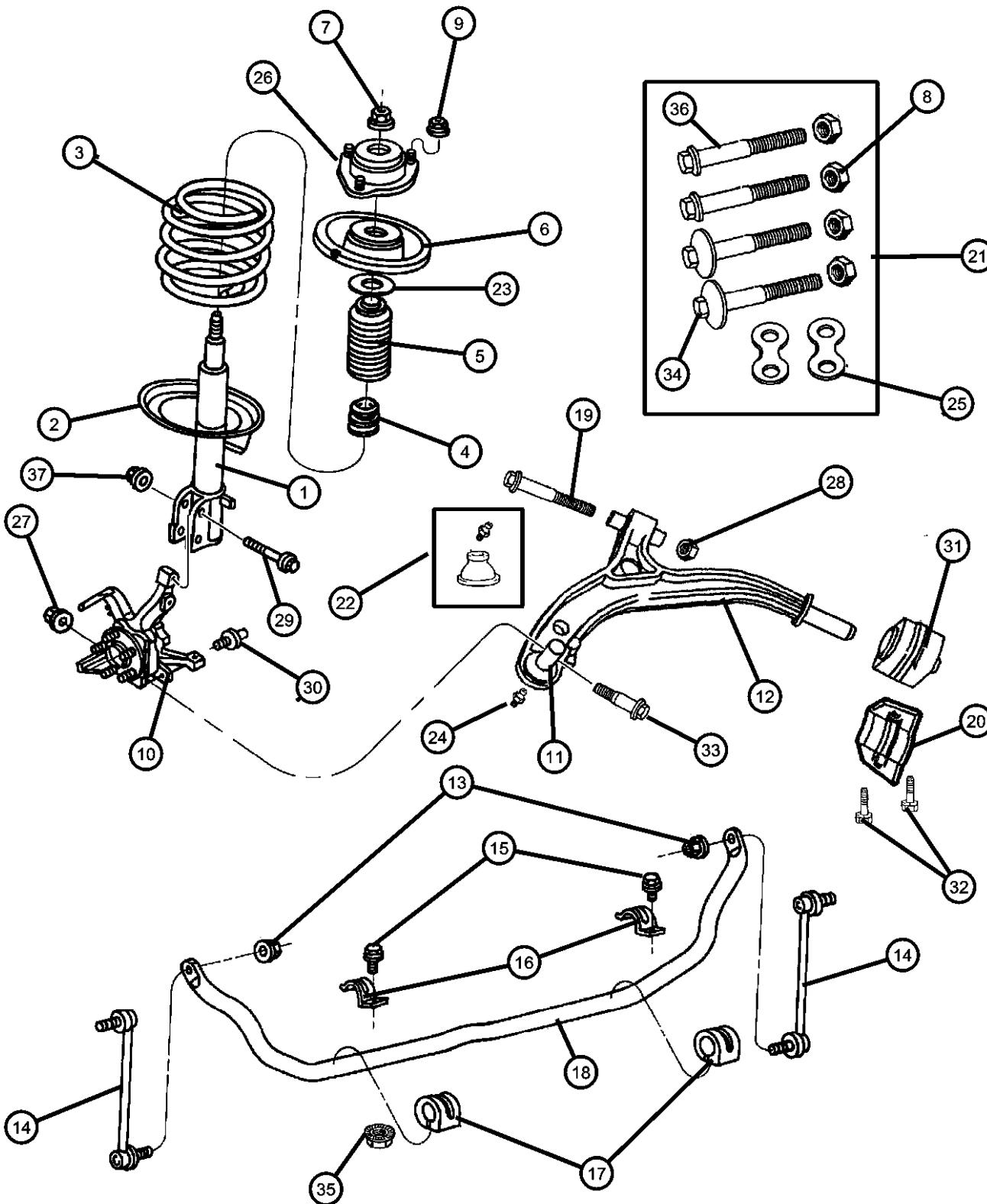
Front Axle Drive Shafts

Shaft, Front Drive Fig. 2 - 245



<p>002-100 Front Suspension</p> 	<p>002-200 Front Axle Drive Shafts</p> 		
--	---	--	--

Suspension, Front
Figure 2-145



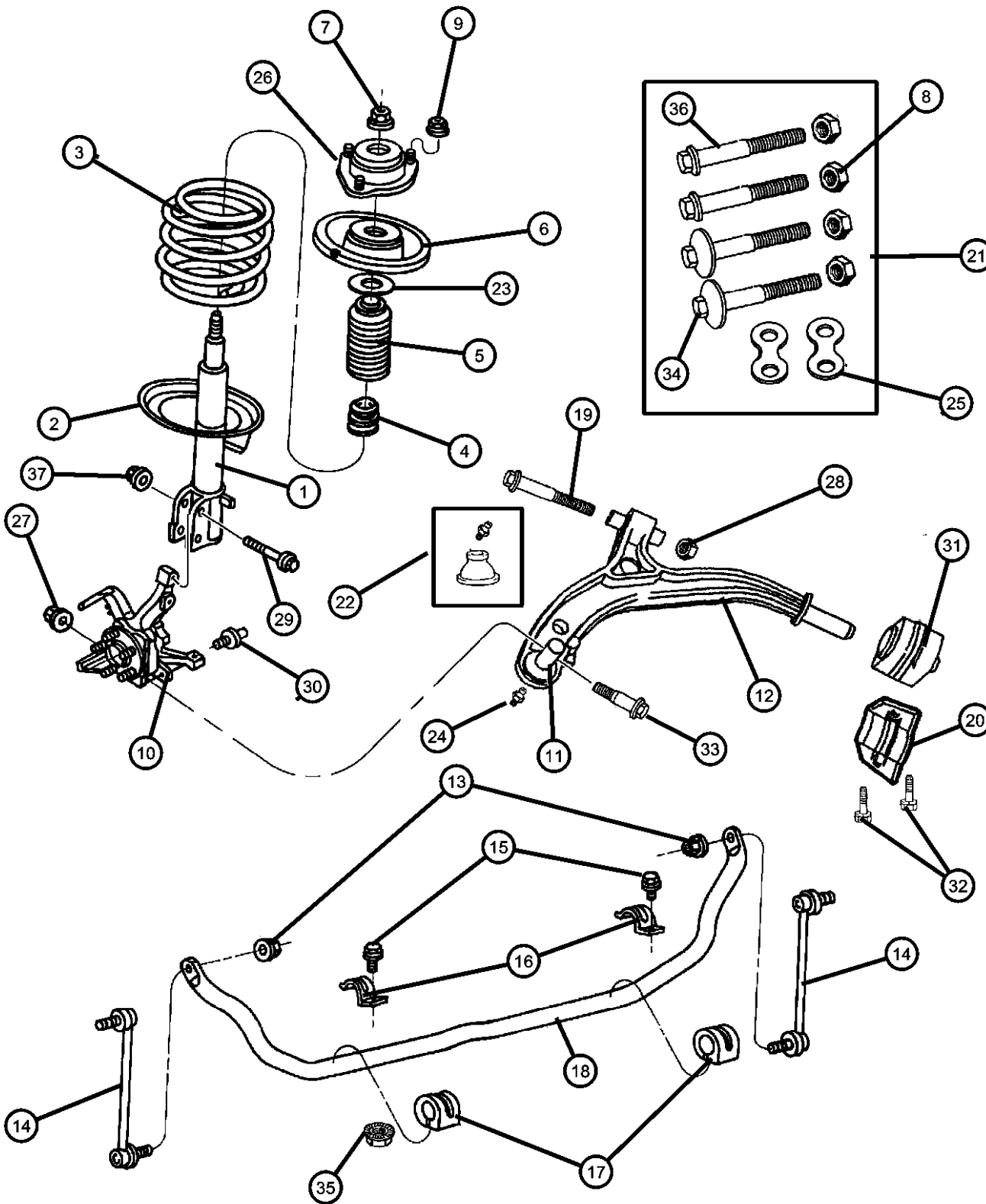
ITEM	PART NUMBER	QTY	LINE	SERIES	BODY	ENGINE	TRANS	TRIM	DESCRIPTION
------	-------------	-----	------	--------	------	--------	-------	------	-------------

Note: Sales Code BRV= DISC/DRUM Heavy Duty
 Note: Sales Code BRE= DISC/DISC
 Note: Sales Code SDF= Suspension European Homologation
 Note: Sales Code ZBB Thru ZPM = Spring Group Types, Found on Individual Vehical Sales Code Listing

1	04797643	2							STRUT, Front Suspension
	0SG81964								Mopar V-Line Alternative Part
2	04694796	2							ISOLATOR, Spring
3									SPRING, Front Coil
	04684563	1							with all Susp (ZBB,ZPB) Tag#563
	04684564	1							with all Susp (ZBC,ZPC) Tag#564
	04684565	1							with all Susp (ZBD,ZPD) Tag#565
	04684566	1							with all Susp (ZBE,ZPE) Tag#566
	04684567	1							with all Susp (ZBF,ZPF) Tag#567
	04684568	1							with all Susp (ZBG,ZPG) Tag#568
	04684569	1							with All Susp (ZBH,ZPH) Tag#569
	04684570	1							with all Susp (ZBJ,ZPJ) Tag#570
	04684571	1							with All Susp (ZBK,ZPK) Tag#571
	04684572	1							with all Susp (ZBL,ZPL) Tag#572
	04684573	1							with all Susp (ZBL,ZPL) Tag#573
4	04684442	2							BUMPER, Jounce
5	04684443	2							SHIELD, Shock Absorber Dust
6	04684136	2							SEAT, Spring
7	06101445	4							NUT AND WASHER, Hex Nut-Coned Washer, M8 x 1.25, Strut Mount
8	06502698	2			52, 53				NUT
9	06101445	6							NUT AND WASHER, Hex Nut-Coned Washer, M8 x 1.25
10									KNUCKLE, Front
	04694822	1							Right
	04694823	1							Left
11	04694747	1							BALL JOINT, Lower Control Arm
12									ARM, Control
	04694760	1							Right
	04694761	1							Left
13	06503870	4							NUT AND WASHER, Hex Lock Nut-Coned Washer, M12 x 1.75, Link to Sway Bar
14	04694855	2							LINK, Sway Eliminator
15	06502954	2							SCREW AND WASHER, Hex Head, M10x1.5x53
16	04684298	2							CLAMP, Stabilizer Bar to Sill

AR = use ase required - = Non illustrated part

Suspension, Front
Figure 2-145



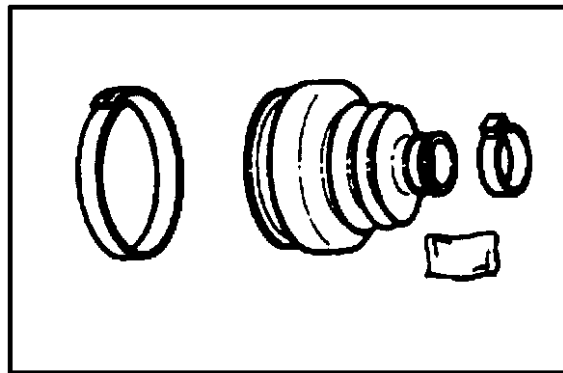
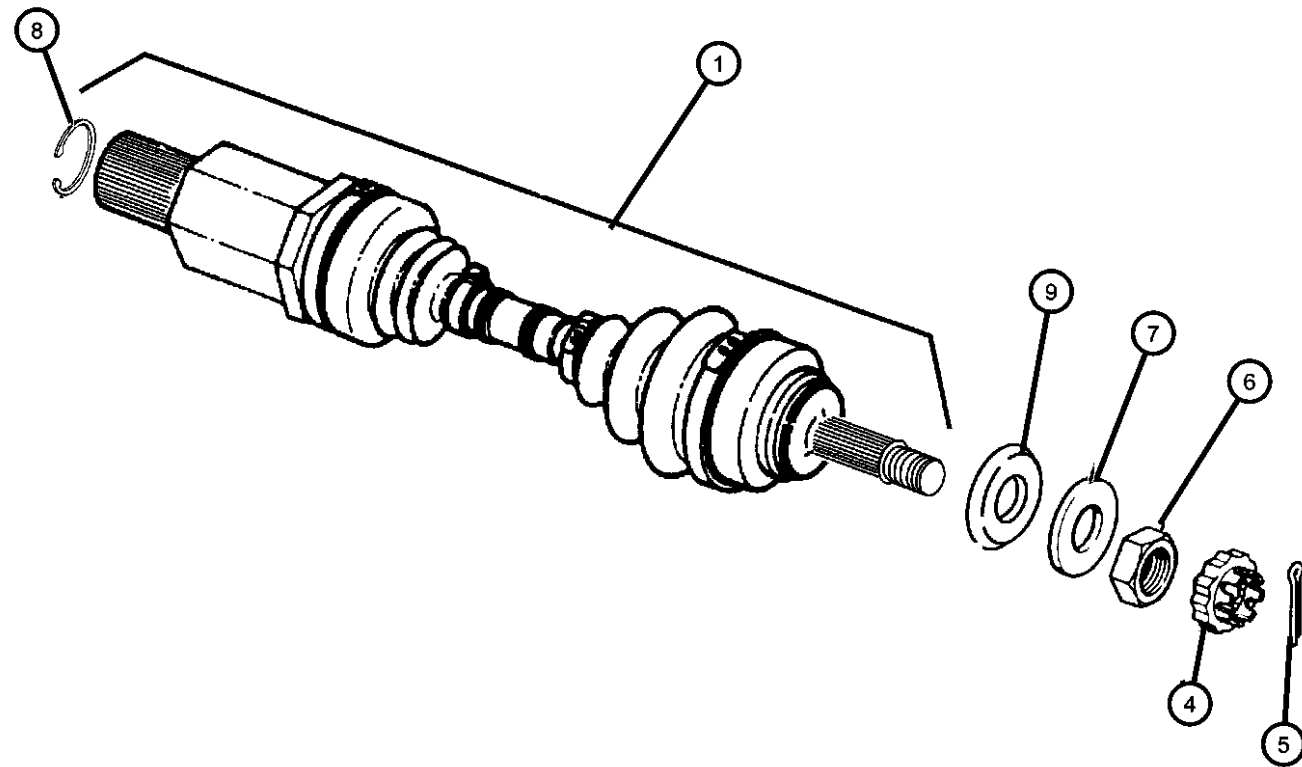
ITEM	PART NUMBER	QTY	LINE	SERIES	BODY	ENGINE	TRANS	TRIM	DESCRIPTION
17	04684890	2							CUSHION, Sway Eliminator
18	04694751	1							BAR, Front Sway
19	06504508	2							BOLT, Hex Head, M14 x 2.00 x 120.00
20	04694777	2							RETAINER, Lower Control Arm
21	04797723	4							BOLT PACKAGE, Camber Adjustment
22	04797449	1							SEAL, Ball Joint, (Package)
23	04684418	AR							BEARING, Strut Mount
24	04694745	1							FITTING, Ball Joint, Zirc
25	04684637	2							WASHER, Dog Bone Strut
26	04694870	2							MOUNT, Strut
27	06502335	2							NUT, Hex Lock, M14 x 2.00
28	06502698	4			52, 53				NUT
29	06503307	4							BOLT, Hex Head, M14 x 2.0 x 74.00
30	06503304	2							STUD, Wheel Stop
31	04684548	1							BUSHING, Lower Control Arm
32	06101848	4							SCREW AND WASHER, Hex Head, M10-1.50x30, Lower Control Arm
33	06502336	2							BOLT, Hex Head, M14x2.0x57
34	06503308	2							BOLT, Cam, M14 x 2.0 x 74.00
35	06502696	2							NUT, Hex Flange Lock, M14x1.50
36	06503307	4							BOLT, Hex Head, M14 x 2.0 x 74.00
37	06502698	3	C, Y						NUT
		2	U, Z						

AR = use ase required - = Non illustrated part

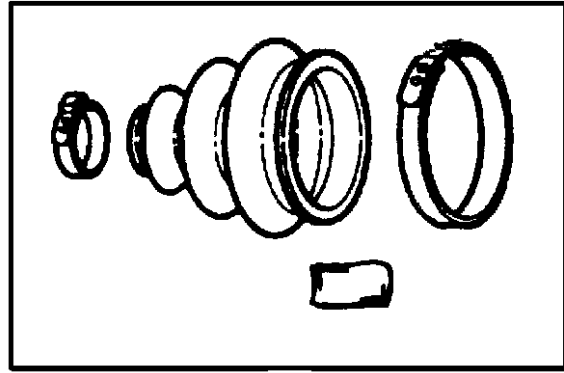
Shaft, Front Drive
Figure 2-245

ITEM	PART NUMBER	QTY	LINE	SERIES	BODY	ENGINE	TRANS	TRIM	DESCRIPTION
------	-------------	-----	------	--------	------	--------	-------	------	-------------

Notes: Sale Codes ECB=2.0L 4CYL SOHC 16V



2



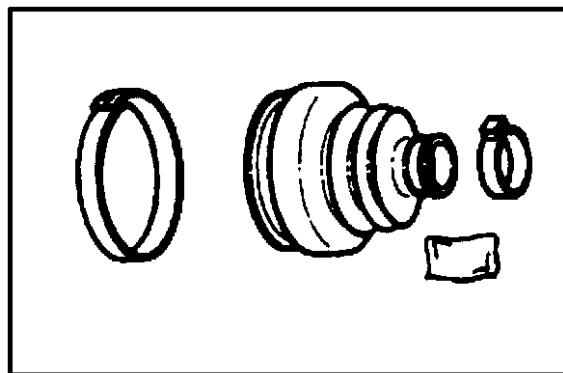
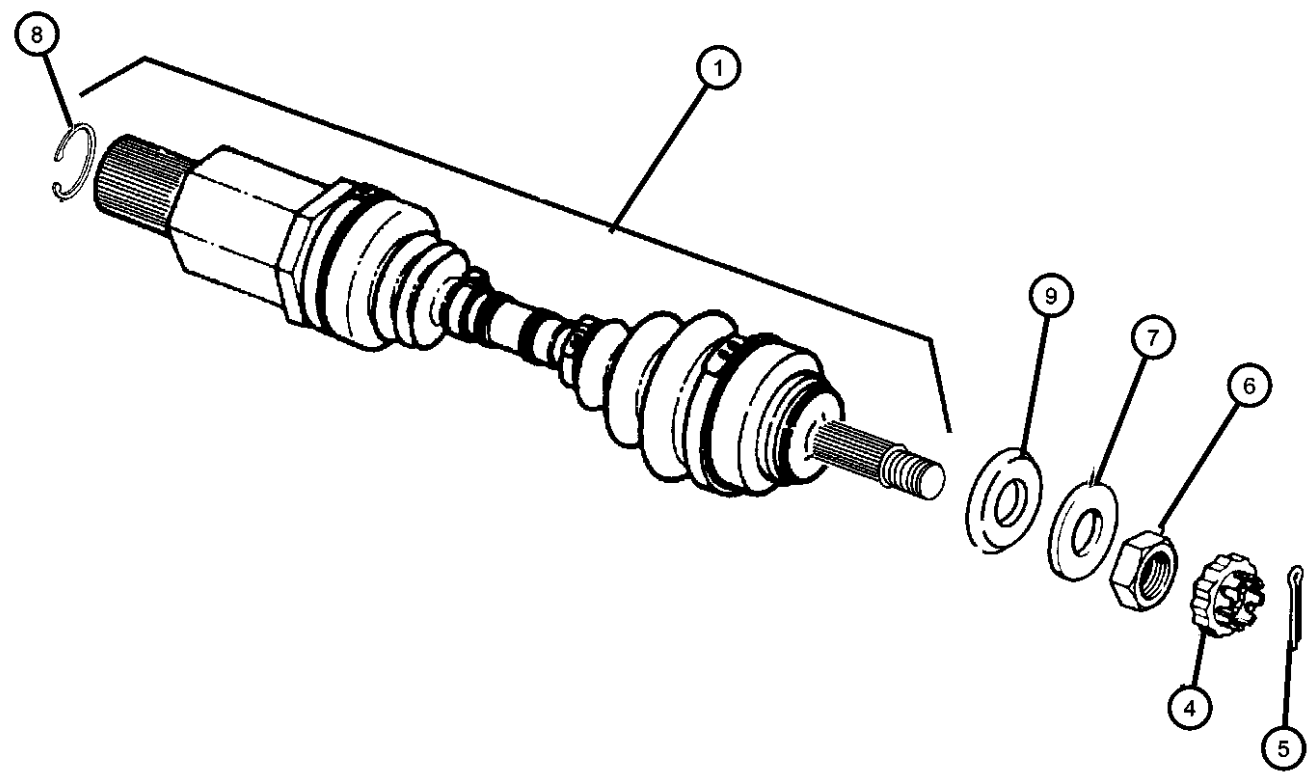
3

1	04808135	1				ECB, EDZ			SHAFT, Axle Half Lt w/o ABS All Engines Tag#4808135
	04808298	1	C						Rt w/ABS Tag#4808298 All Engines
	04808540	1				ECB, EDZ			Rt w/o ABS All Engines Tag#4808540
	04808548	1	Y, Z			EDZ, EGA			Rt w/o ABS Tag#4808548 w/Auto Trans
		1				ENC			Rt w/o ABS
	04808578	1	Y, Z			EDZ, EGA			Rt w/ABS Tag#4808578 w/Auto Trans
		1				ENC			[ENC]
	04808580	1				ECB, EDZ			Rt w/ABS All Engines Tag#4808580 w/Manual Trans
	04808883	1				ECB, EDZ			Lt w/ABS All Engines Tag#4808883 w/Man Trans
	04808965	1	Y, Z			EDZ, EGA			Lt w/o ABS Tag#4808965 w/Auto Trans
	04808971	1	Y, Z			EDZ, EGA			Lt w/ABS Tag#4808971 w/Auto Trans
		1	C						Lt w/ABS Tag# 4808971
2	04797699	1	C						BOOT KIT, Half Shaft, Inner Rt All Engines with or without ABS
	R2826100								Mopar Remanufactured Part
		1	Y, Z			EDZ, EGA			Rt All Engines with or without ABS
	R2826100								Mopar Remanufactured Part
		1							Rt All Engines with or without ABS
	R2826100								Mopar Remanufactured Part
	04797700	1							Lt with or without ABS
		1	Y, Z			EDZ, EGA			Lt with or without ABS
		1	C						Lt with or without ABS
3	04641181	1	C						BOOT KIT, Half Shaft, Outer With or Without ABS
	R2826075								Mopar Remanufactured Part
		1							With or Without ABS
	R2826075								Mopar Remanufactured Part
4	04293167	2	Y, Z						NUT AND WASHER PACKAGE, Front Hub
		4	C						
5	06500336	2	Y, Z						PIN, Cotter, M5x36.00
		4	C						

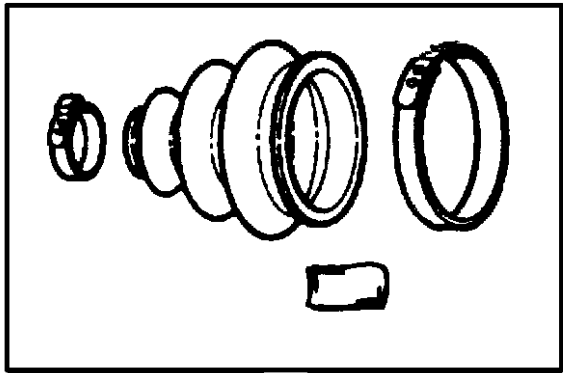
AR = use ase required - = Non illustrated part

Shaft, Front Drive
Figure 2-245

ITEM	PART NUMBER	QTY	LINE	SERIES	BODY	ENGINE	TRANS	TRIM	DESCRIPTION
6	06500298	2	Y, Z						NUT, Hub, M22x1.5
		4	C						
7	06503352	2	Y, Z						WASHER, Flat, M23x38.0x405
		4	C						
8	04797704	2							CIRCLIP, Half Shaft
9	04641698	1							SHIELD, Wheel Bearing



2



3

AR = use ase required - = Non illustrated part

Group - 3

Rear Axle

Group - 3 Rear Axle

Group-Fig. No.

Illustration Title

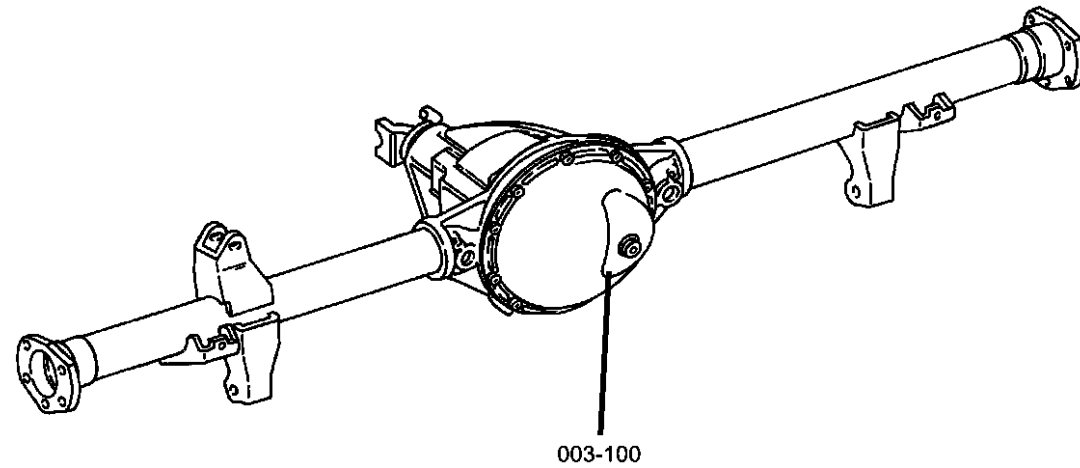
Rear Axle

Differential, Rear Fig. 3 - 115

Torque Tube Assembly Fig. 3 - 130

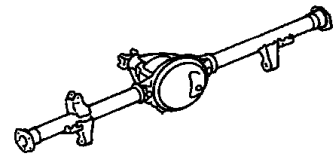
Rear Axle Shafts

Shaft, Rear Axle Fig. 3 - 420

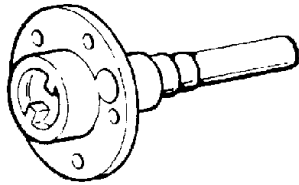


003-100

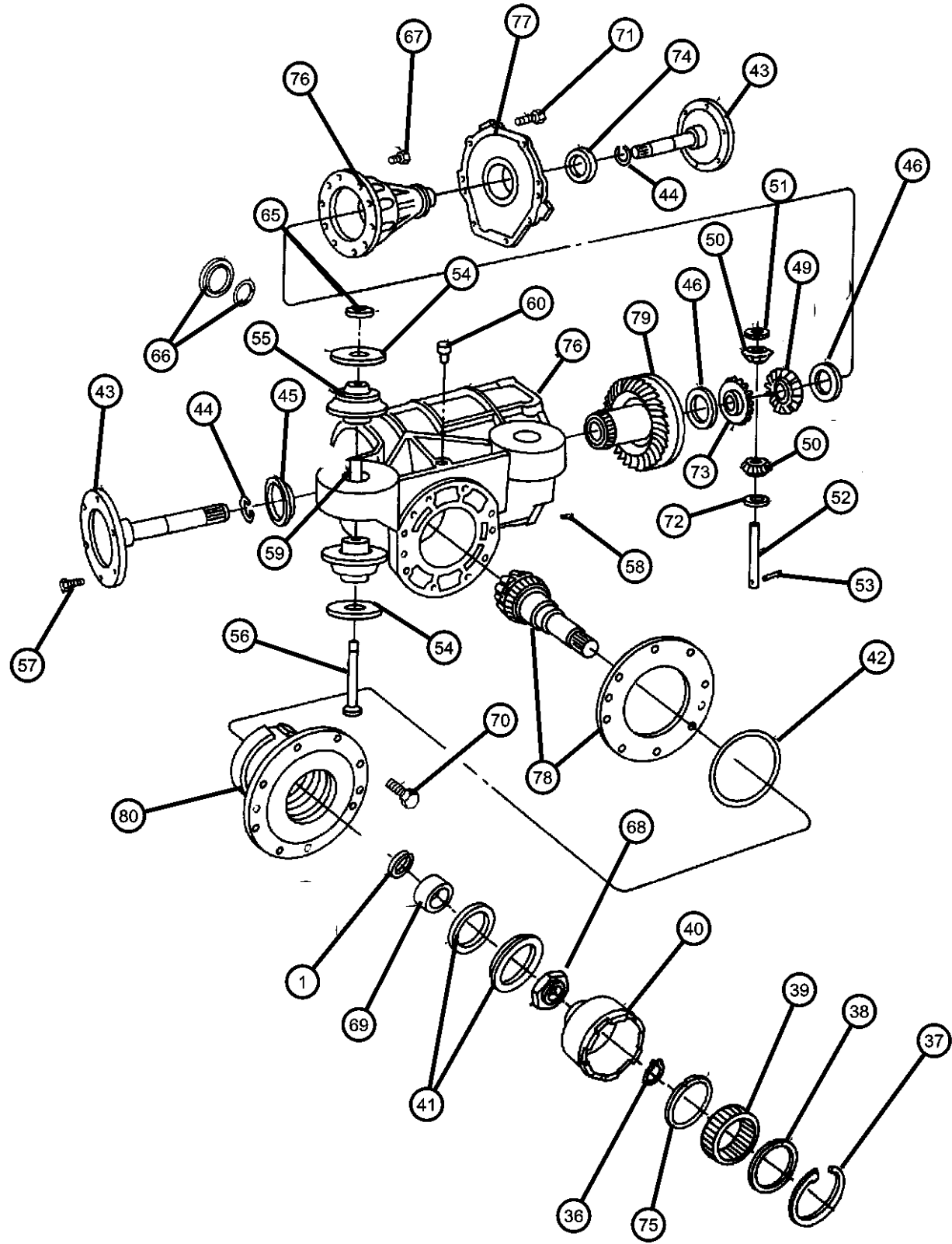
003-100
Rear Axle



003-400
Rear Axle Shafts



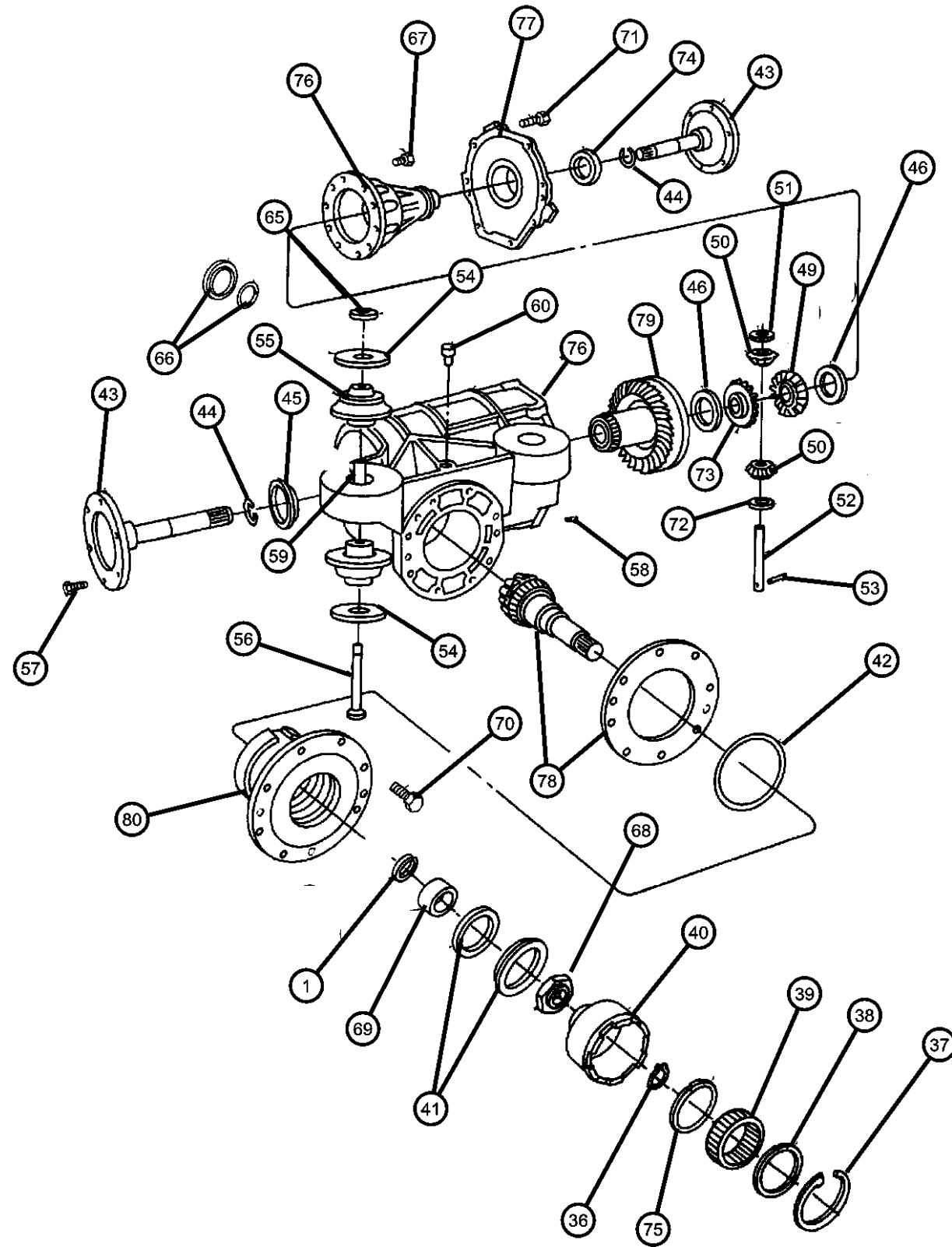
Differential, Rear
Figure 3-115



ITEM	PART NUMBER	QTY	LINE	SERIES	BODY	ENGINE	TRANS	TRIM	DESCRIPTION
1	04641415	AR	C						SHIM, Output Shaft, 4.67 - 4.69mm
-2	04641416	AR	C						SHIM, Output Shaft, 4.70 - 4.72mm
-3	04641417	AR	C						SHIM, Output Shaft, 4.73 - 4.75mm
-4	04641418	AR	C						SHIM, Output Shaft, 4.76 - 4.78mm
-5	04641419	AR	C						SHIM, Output Shaft, 4.79 - 4.81mm
-6	04641420	AR	C						SHIM, Output Shaft, 4.82 - 4.84mm
-7	04641421	AR	C						SHIM, Output Shaft, 4.85 - 4.87mm
-8	04641422	AR	C						SHIM, Output Shaft, 4.88 - 4.90mm
-9	04641423	AR	C						SHIM, Output Shaft, 4.91 - 4.93mm
-10	04641424	AR	C						SHIM, Output Shaft, 4.94 - 4.96mm
-11	04641425	AR	C						SHIM, Output Shaft, 4.97 - 4.99mm
-12	04641426	AR	C						SHIM, Output Shaft, 5.00 - 5.02mm
-13	04641427	AR	C						SHIM, Output Shaft, 5.03 - 5.05mm
-14	04641428	AR	C						SHIM, Output Shaft, 5.06 - 5.08mm
-15	04641429	AR	C						SHIM, Output Shaft, 5.09 - 5.11mm
-16	04641430	AR	C						SHIM, Output Shaft, 5.12 - 5.14mm
-17	04641431	AR	C						SHIM, Output Shaft, 5.15 - 5.17mm
-18	04641432	AR	C						SHIM, Output Shaft, 5.18 - 5.20mm
-19	04641433	AR	C						SHIM, Output Shaft, 5.21 - 5.23mm
-20	04641434	AR	C						SHIM, Output Shaft, 5.24 - 5.26mm
-21	04641435	AR	C						SHIM, Output Shaft, 5.27 - 5.29mm
-22	04641436	AR	C						SHIM, Output Shaft, 5.30 - 5.35mm
-23	04641437	AR	C						SHIM, Output Shaft, 5.33 - 5.35mm
-24	04641438	AR	C						SHIM, Output Shaft, 5.36 - 5.38mm
-25	04641439	AR	C						SHIM, Output Shaft, 5.39 - 5.41mm
-26	04641440	AR	C						SHIM, Output Shaft, 5.42 - 5.44mm
-27	04641441	AR	C						SHIM, Output Shaft, 5.45 - 5.47mm
-28	04641442	AR	C						SHIM, Output Shaft, 5.48 - 5.50mm
-29	04641443	AR	C						SHIM, Output Shaft, 5.51 - 5.53mm
-30	04641444	AR	C						SHIM, Output Shaft, 5.54 - 5.56mm
-31	04641445	AR	C						SHIM, Output Shaft, 5.57 - 5.59mm
-32	04641446	AR	C						SHIM, Output Shaft, 5.60 - 5.62mm
-33	04641447	AR	C						SHIM, Output Shaft, 5.63 - 5.65mm
-34	04641448	AR	C						SHIM, Output Shaft, 5.66 - 5.68mm
-35	04641449	AR	C						SHIM, Output Shaft, 5.69 - 5.71mm
36									SNAP RING
	04486755	1	C			52			
		1	C			53			
37									SNAP RING
	04518952	1	C			52			
		1	C			53			

AR = use ase required - = Non illustrated part

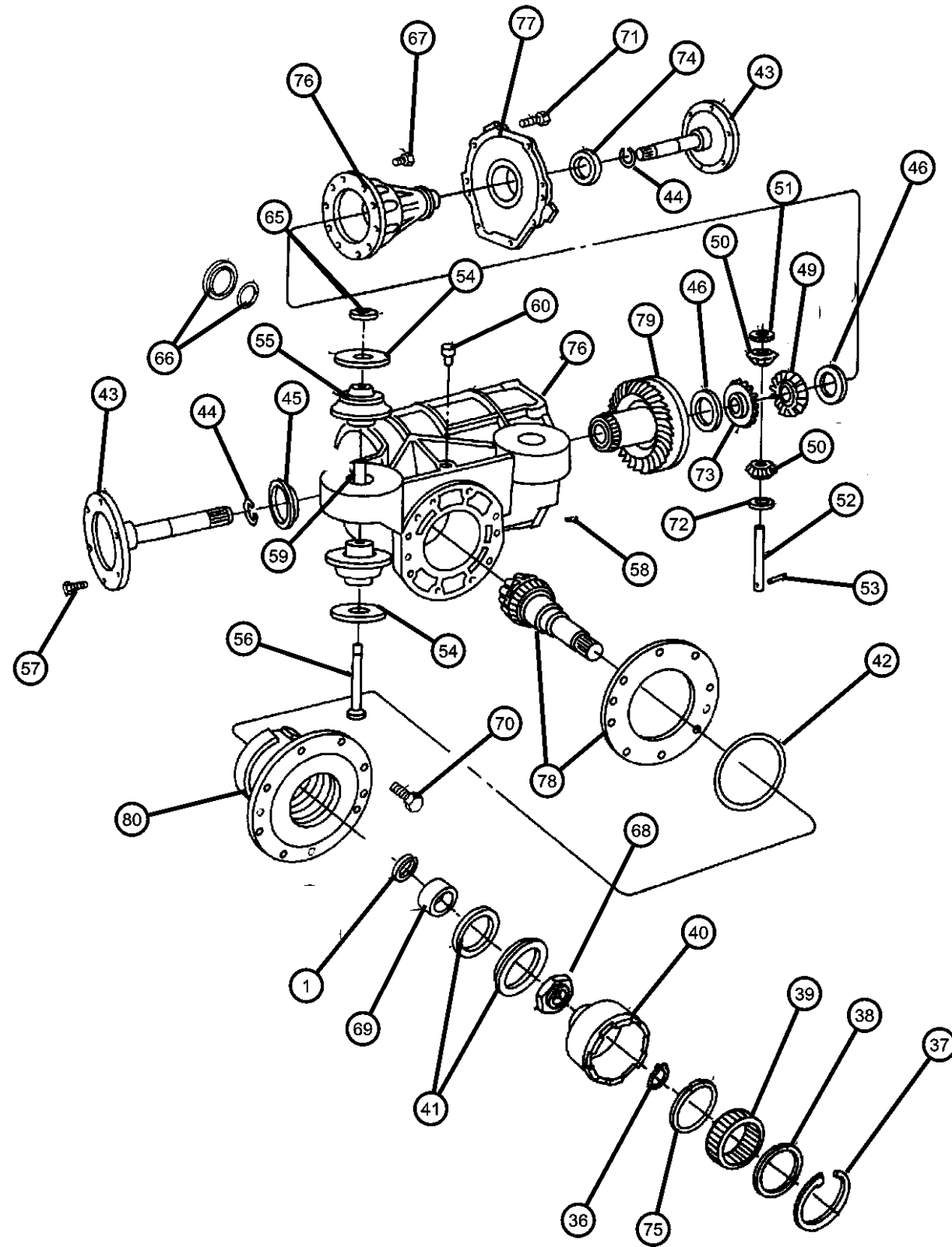
Differential, Rear
Figure 3-115



ITEM	PART NUMBER	QTY	LINE	SERIES	BODY	ENGINE	TRANS	TRIM	DESCRIPTION
38									SPACER, Overrunning Clutch
	04518536	1	C		52				
		1	C		53				
39									CLUTCH, Rear Axle
	04518953	1	C		52				
		1	C		53				
40									RACE, Overrunning Clutch
	04518510	1	C		52				
		1	C		53				
41									SEAL PACKAGE, Differential Carrier
	04637109	1	C		52				
		1	C		53				
42	04486077	1	C						O RING, PTU Case Rear Cover
43									OUTPUT SHAFT, Rear Axle
	04641770	2	C		52				
		2	C		53				
44									SNAP RING
	04518780	2	C		52				
		2	C		53				
45	04641263	1	C						SEAL, Extension
46	04504568	1							WASHER PACKAGE, Side Gear Thrust, .028/.026, .033/.031, .038/.036, .043/.041, .048/.046
-47									THRUST WASHER, Differential, .051-.053
	04412016	AR	C		52				
		AR	C		53				
-48									THRUST WASHER, Differential, .056-.058
	04412017	AR	C		52				
		AR	C		53				
49									GEAR, Differential Side
	04659502	2	C		52				
		2	C		53				
50									PINION, Differential
	04348679	2							EDZ, DGL
		1							EDZ, ENC, DD3
51									WASHER, Pinion Thrust
	04137024	2	C		52				
		2	C		53				
52									SHAFT, Pinion Gear
	04659142	1	C		52				

AR = use ase required - = Non illustrated part

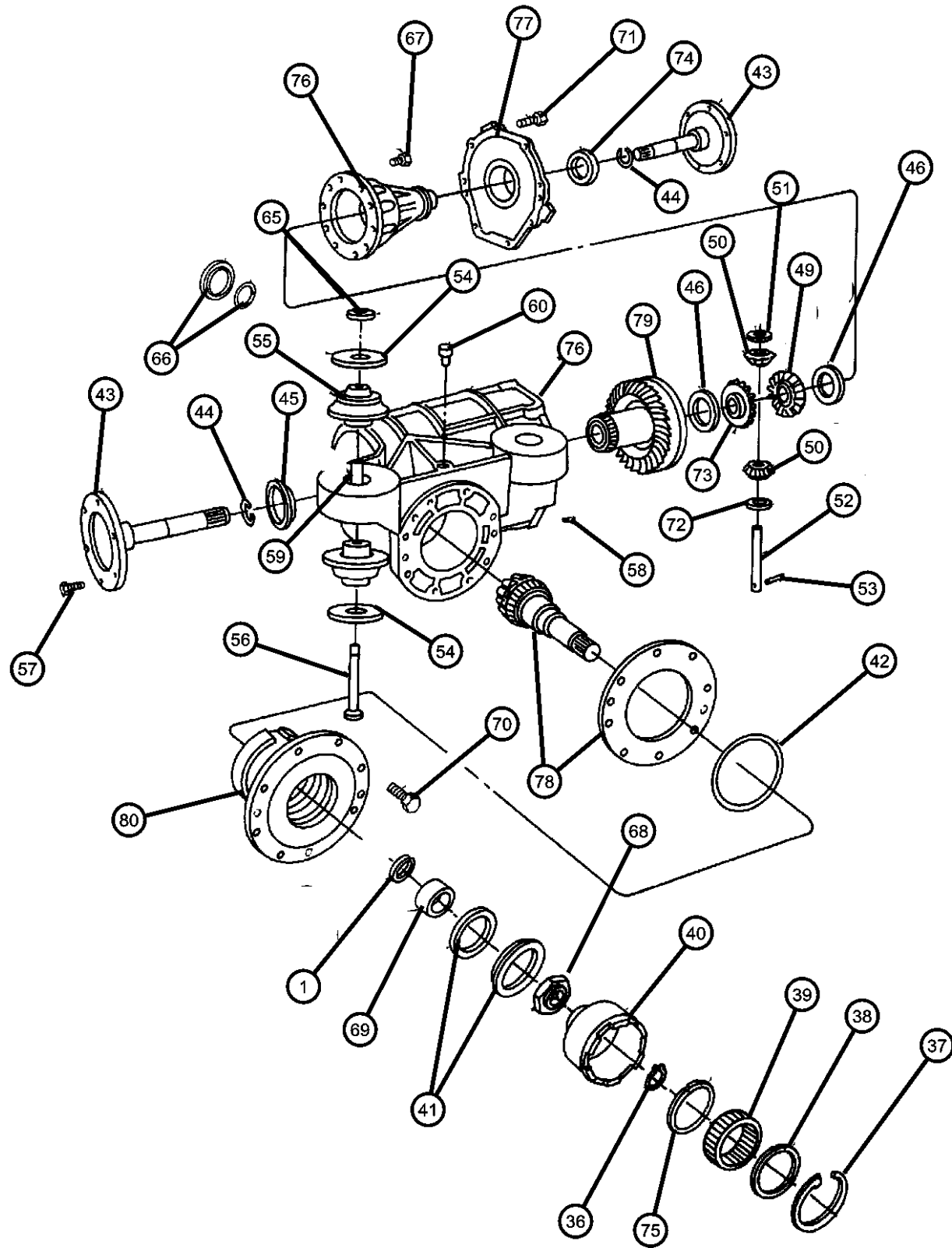
Differential, Rear
Figure 3-115



ITEM	PART NUMBER	QTY	LINE	SERIES	BODY	ENGINE	TRANS	TRIM	DESCRIPTION
		1	C		53				
53	06503827	1							PIN, Pinion Shaft
54	04486903	2	C		52				WASHER, Rear Axle Isolator
		2	C		53				
55	04486901	4	C		52				BUSHING, Isolator
		4	C		53				
56	04518329	1	C		52				BOLT, Rear Carrier
		1	C		53				
57	06502350	12	C						BOLT, Hex Flange Head, M10x1.50x25
58	04486046	1	C						MAGNET, Power Take Off
59	04486902	4	C		52				SLEEVE, Carrier Rubber
		4	C		53				
60	02124715	1	C		52				VENT, Cap, Jiggle
		1	C		53				
-61	04641681	1	C		52				HOSE, Axle Vent
		1	C		53				
-62	04641290	AR							RESERVOIR, Rear Carrier, Remote Vent
-63	04213328	1	C						VENT, Cap
-64	04641701	1	C						CLAMP, Axle Vent
65	04518308	2	C		52				WASHER, Rear Axle Isolator
		2	C		53				
66	04637108	1	C						PLUG PACKAGE, Fill
67	04637108	1							BOLT, Hex Head, M8x1.25x30, (NOT SERVICED)
68	04518766	1	C		52				NUT, Hex Flange Lock, M30X1.50
		1	C		53				
69	04518143	1	C		52				SPACER, Drive Pinion
		1	C		53				
70		1							SCREW, M8x1.25x25, (NOT SERVICED)
71		1							BOLT, Hex Head, M8x1.25x30, (NOT SERVICED)

AR = use ase required - = Non illustrated part

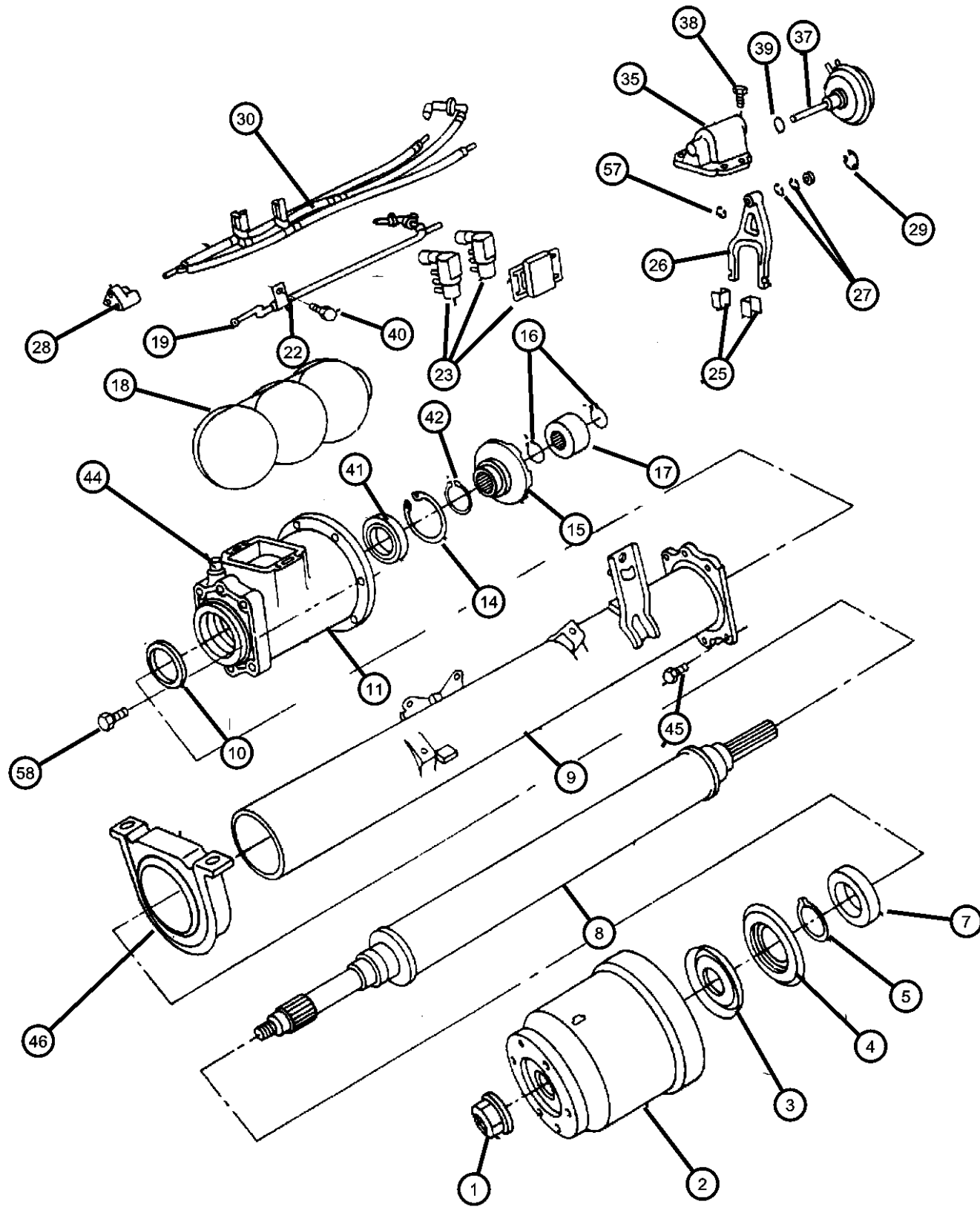
Differential, Rear
Figure 3-115



ITEM	PART NUMBER	QTY	LINE	SERIES	BODY	ENGINE	TRANS	TRIM	DESCRIPTION
72									WASHER, Pinion Thrust
	04137024	2	C		52				
		2	C		53				
73									GEAR, Differential Side
	04659502	2	C		52				C-52
		2	C		53				C-53
74	04641263	1	C						SEAL, Extension
75									SPACER, Overrunning Clutch
	04518536	1	C		52				
		1	C		53				
76		1							CASE, Differential, (Body, Service in Carrier, Differential), (NOT SERVICED)
77		1							COVER, Differential, End (Service in Carrier, Differential), (NOT SERVICED)
78		1							PINION, Differential, (Service in Carrier, Differential), (NOT SERVICED)
79		1							FLANGE, Center Differential, (Service in Carrier, Differential) With Ring Gear, (NOT SERVICED)
80		1							COVER, Differential, Front (Service in Carrier, Differential), (NOT SERVICED)
-81									CASE, Differential
	04641786	1	C		52				
		1	C		53				

AR = use ase required - = Non illustrated part

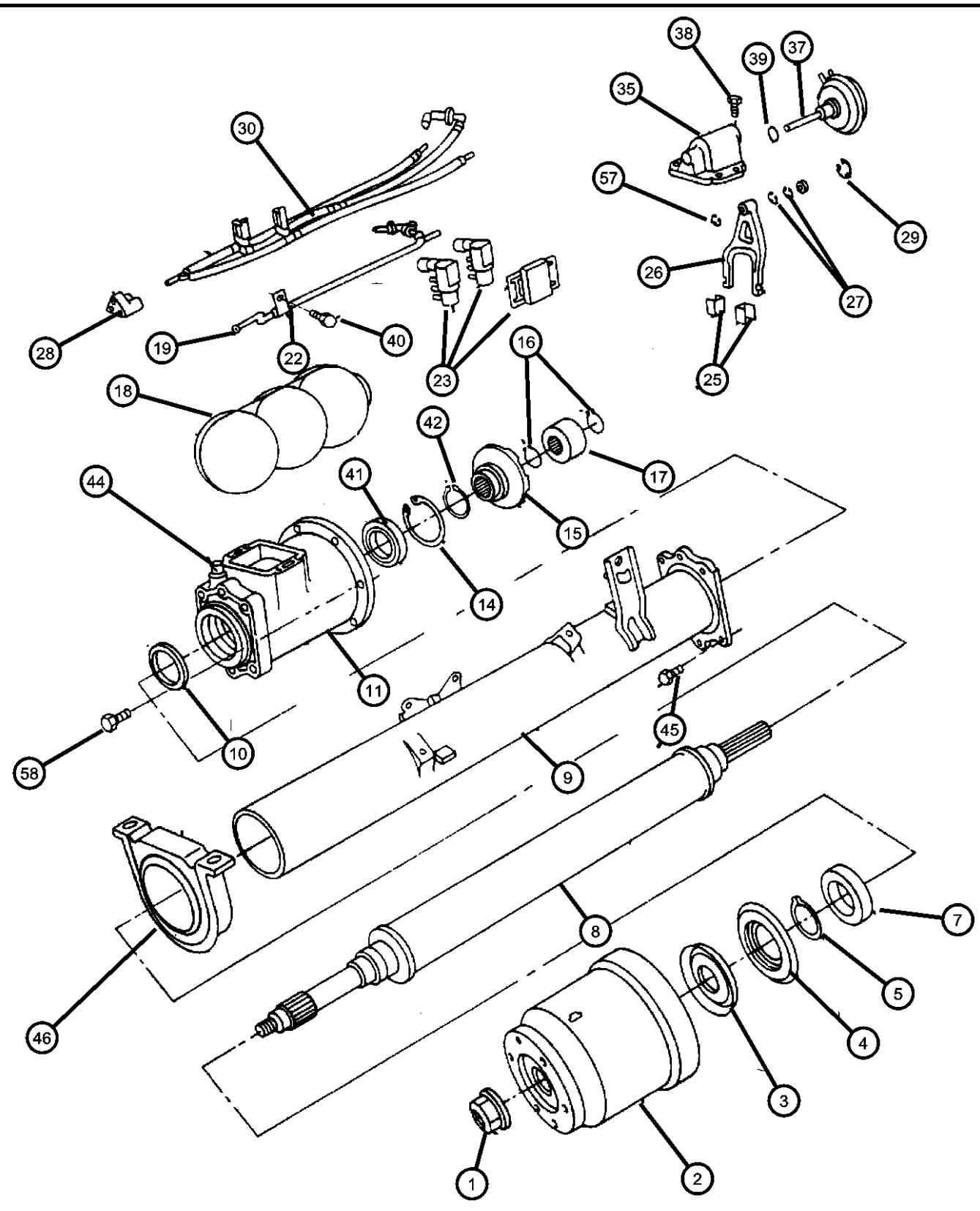
Torque Tube Assembly
Figure 3-130



ITEM	PART NUMBER	QTY	LINE	SERIES	BODY	ENGINE	TRANS	TRIM	DESCRIPTION
1	04518903	1	C						NUT, Hex Flange Lock, M16x1.5
2	04641771	1	C		52				COUPLING, Viscous
3	04641756	1	C		52				PLATE, Transmission Module
4	04641578	1	C		52				SHIELD, Bearing, Torque tube
5	04518551	1	C		52				RETAINING RING, Bearing
-6	04486165	1	C		52				RETAINING RING, Bearing, 1.80
7	04486164	1	C		52				BEARING, Viscous Coupling
8	04641630	1	C		52				SHAFT, Torque
9	04641819	1	C		52				TUBE, Torque
10	04637106	1	C		52				BEARING PACKAGE, Torque Shaft
11	04641222	1	C		52				CASE, Overrunning Clutch
-12	06035417	1	C		53				PLUG, Oil Drain, Filler (Plug)
-13	06032145	1	C						GASKET, Drain Plug
14	04486166	1	C		52				SNAP RING
15	04518945	1	C		52				CLUTCH, Torque Tube
16		1	C		53				SNAP RING

AR = use ase required - = Non illustrated part

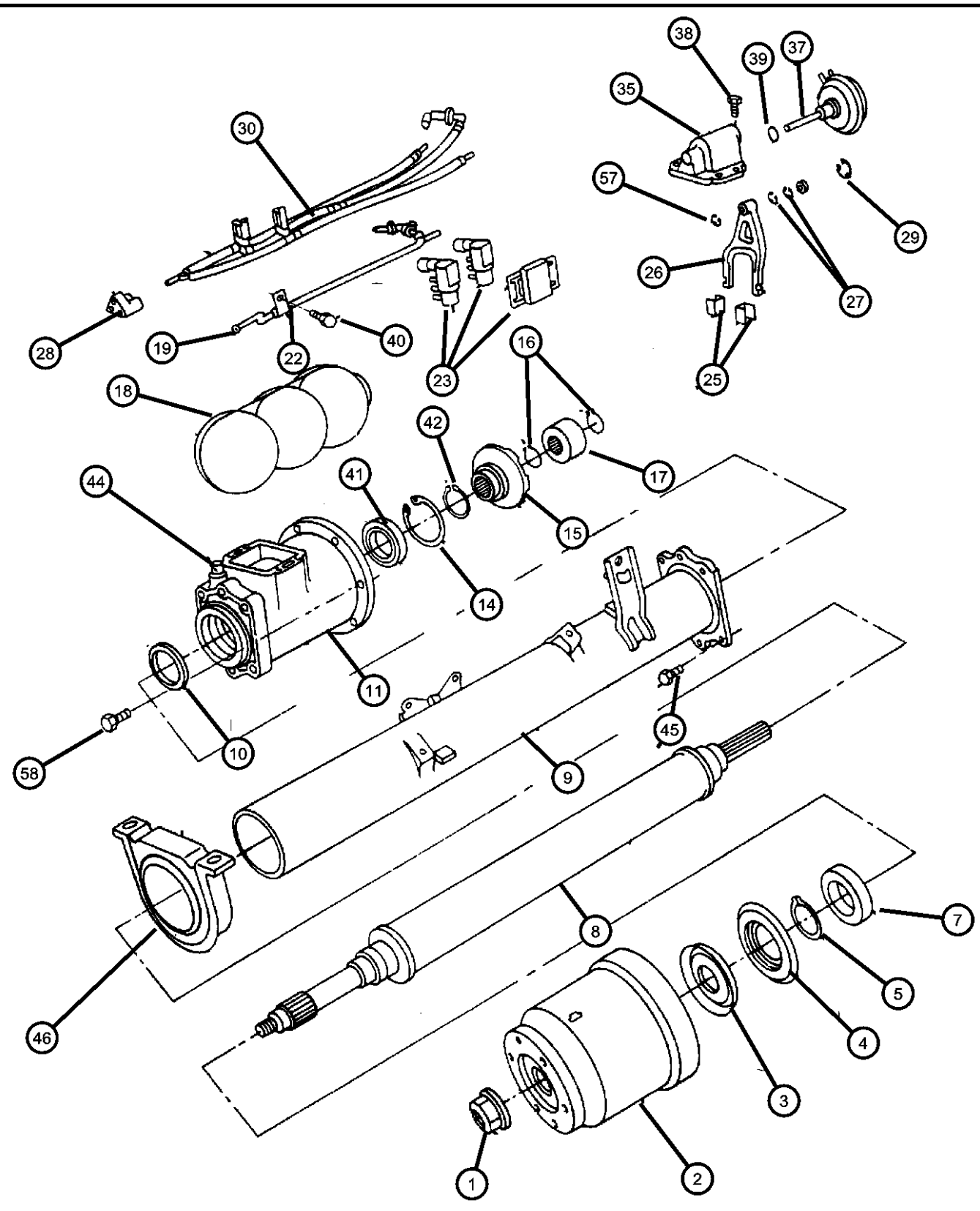
Torque Tube Assembly
Figure 3-130



ITEM	PART NUMBER	QTY	LINE	SERIES	BODY	ENGINE	TRANS	TRIM	DESCRIPTION
	04486755	1	C		52				
		1	C		53				
17									RACE, Overrunning Clutch
	04518944	1	C		52				
		1	C		53				
18									RESERVOIR, Vacuum
	04518804	1	C		52				
		1	C		53				
19									TUBE, Rear Axle Vacuum
	04641644	1	C		52				
		1	C		53				
-20									HARNES, Overrunning Clutch Vacuum
	04641532	1	C		52				
		1	C		53				
-21									CLAMP, Hose
	04641005	1	C		52				
		1	C		53				
22									CLIP, Parking Brake Cable
	02207919	1	C		52				
		1	C		53				
23									SOLENOID, Overrunning Clutch
	05234219	1	C		52				
		1	C		53				
-24									BRACKET, Vacuum Solenoid
	05227034	1	C		52				
		1	C		53				
25									PAD, Shift Fork
	04338589	2	C		52				
		2	C		53				
26									FORK PACKAGE, Overrunning Clutch
	04518939	1	C		52				
		1	C		53				
27									SNAP RING, .302 ID .66 OD
	06023878	2	C		52				
		2	C		53				
28									CONNECTOR, Front Axle Vacuum Harness
	04431325	1	C		52				
		1	C		53				
29									SNAP RING, Vacuum Motor

AR = use ase required - = Non illustrated part

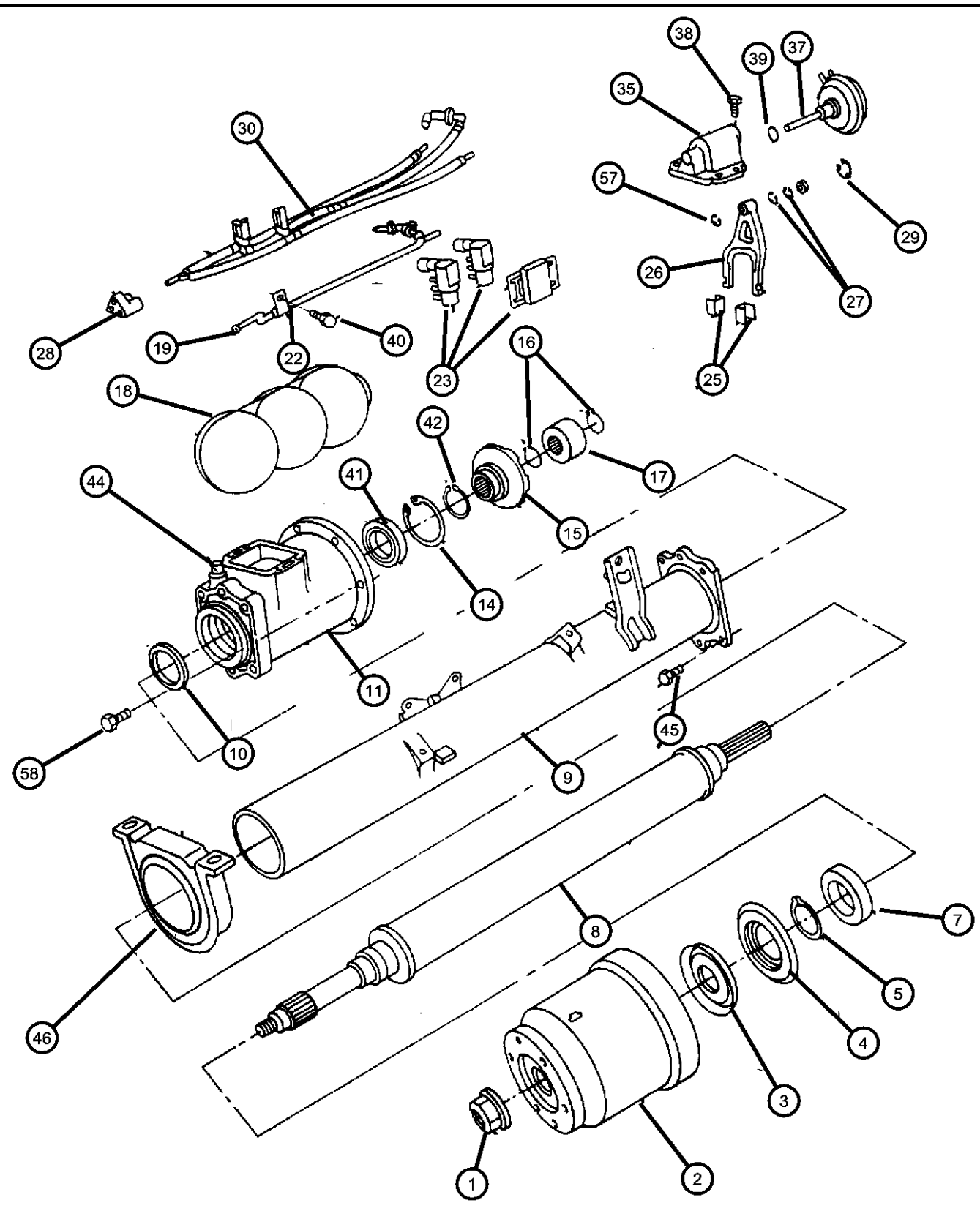
Torque Tube Assembly
Figure 3-130



ITEM	PART NUMBER	QTY	LINE	SERIES	BODY	ENGINE	TRANS	TRIM	DESCRIPTION
	06023879	1	C		52				
		1	C		53				
30									HARNES, Overrunning Clutch Vacuum
	04641532	1	C		52				
		1	C		53				
-31	04641573	1	C		53				HOSE, Vacuum, 3/16" Roll Stock
-32									SLEEVE, Tubing Cover
	04518881	2	C		52				
		2	C		53				
-33									CONNECTOR, Manifold Vacuum
	04100727	1	C		52				
		1	C		53				
-34	04641015	2	C						CLAMP, Hose, Aluminum
35									HOUSING, Overrunning Actuator
	04641223	1	C		52				
		1	C		53				
-36									SNAP RING, .302 ID .66 OD
	06023878	2	C		52				
		2	C		53				
37									MOTOR, Axle Vacuum
	04641566	1	C		52				with O-Ring
		1	C		53				with O-Ring
38									BOLT, Hex Head, M10x25
	06100166	4	C		52				
		4	C		53				
39									O RING, Vacuum Motor
	04641017	1	C		52				
		1	C		53				
40									SCREW, Self Tapping, M6x1x17
	06503472	1	C		52				
		1	C		53				
41									BEARING PACKAGE, Torque Shaft
	04637106	1	C		52				
		1	C		53				
42									RETAINING RING, Bearing
	04518551	1	C		52				
		1	C		53				
-43									RETAINING RING, Bearing, 1.80
	04486165	1	C		52				

AR = use ase required - = Non illustrated part

Torque Tube Assembly
Figure 3-130

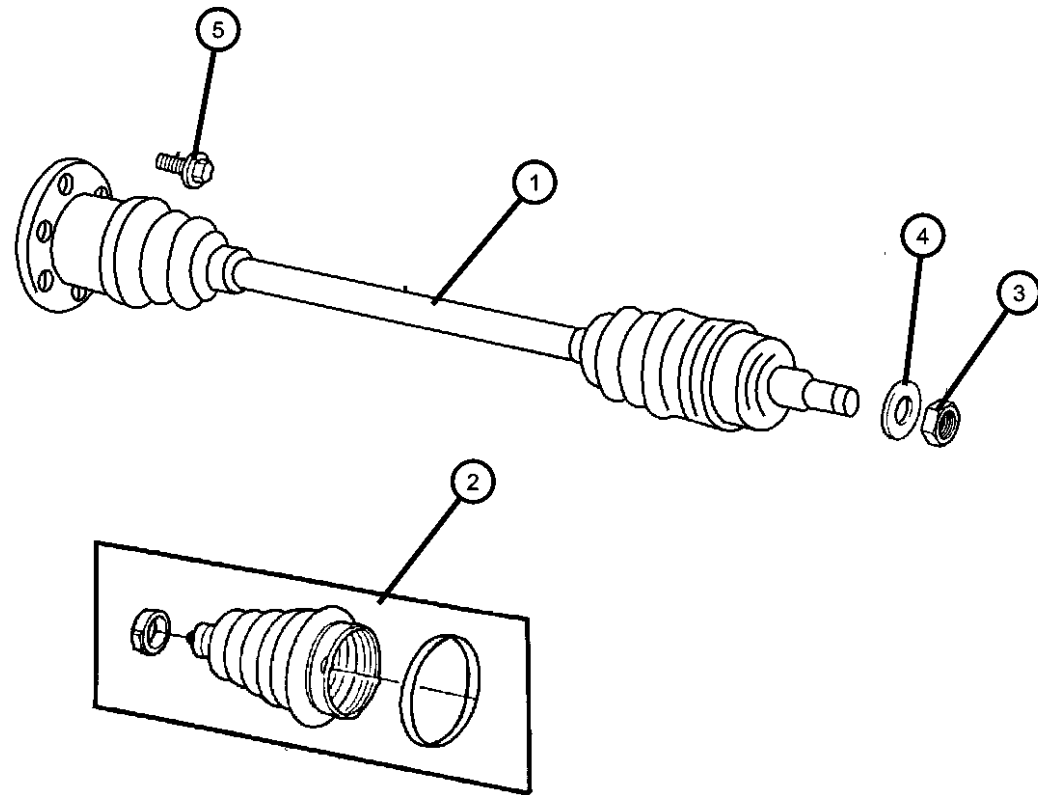


ITEM	PART NUMBER	QTY	LINE	SERIES	BODY	ENGINE	TRANS	TRIM	DESCRIPTION
		1	C		53				
44		1	C		52				VENT, Cap, Jiggle
	02124715	1	C		52				
		1	C		53				
45		8	C, U		52				SCREW, Hex Flange Head, M8x1.25x32
	06504171	8	C, U		53				
46		1	C		52				BRACKET, Torque Shaft
	04486317	1	C		52				
		1	C		53				
-47	04518943	6	C						CLIP, Tube To Crossmember, 1 Way
-48	04518887	1	C						TUBE, Rear Axle Vent Solenoid
-49	04458158	1	C						FILTER, Vacuum Solenoid
-50	04104998	2	C						CONNECTOR, Emission Hose, .18x.18
-51	04641015	2	C						CLAMP, Hose, Aluminum
-52	04641008	1	C						CLAMP, Hose Steel Keystone
-53	04641708	1	C						VENT, Rear Axle Overrunning Clutch
-54									TUBE, Vacuum
	04518591	2	C		52				
		2	C		53				
-55									SCREW, Hex Flange Head
	06501586	8	C		52				
		8	C		53				
-56									TEE, Washer Hose
	03671410	1	C, U		52				
		1	C, U		53				
57		1	C		52				CONNECTOR, Front Axle Vacuum Harness
	04431325	1	C		52				
		1	C		53				
58		1							SCREW, (NOT SERVICED)
-59									CLIP, Over Running Clutch
	04518140	1	C		52				
		1	C		53				
-60									CLIP, Actuation Tube
	04641715	1	C		52				
		1	C		53				

AR = use ase required - = Non illustrated part

Shaft, Rear Axle
Figure 3-420

ITEM	PART NUMBER	QTY	LINE	SERIES	BODY	ENGINE	TRANS	TRIM	DESCRIPTION
1	04808598	2	C						SHAFT, Axle Half
2	04641245	2	C						BOOT KIT, Half Shaft
	R2826559								Mopar Remanufactured Part
3	06500298	4	C						NUT, Hub, M22x1.5
4	06503352	4	C						WASHER, Flat, M23x38.0x405
5	06502350	12	C						BOLT, Hex Flange Head, M10x1.50x25



AR = use ase required - = Non illustrated part

Group - 4

Parking Brake

Group - 4 Parking Brake

Group-Fig. No.

Illustration Title

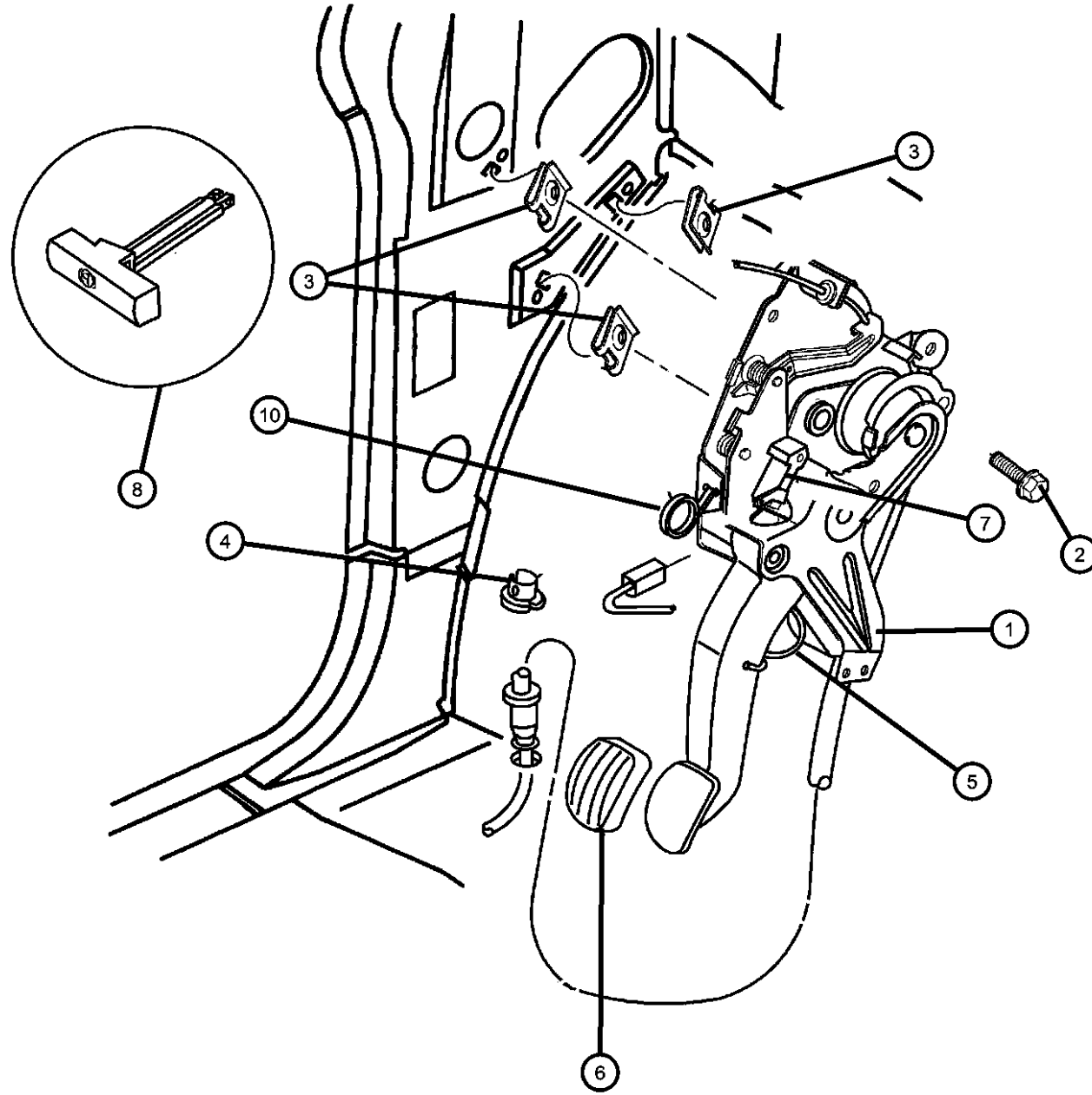
Parking Brake Lever and Cables

Lever, Parking Brake, Foot Operated	Fig. 4 - 142
Lever, Parking Brake, Hand Operated	Fig. 4 - 144
Cables, Parking Brake	Fig. 4 - 147

004-100 Parking Brake Lever and Cables			
--	--	--	--



Lever, Parking Brake, Foot Operated
Figure 4-142



ITEM	PART NUMBER	QTY	LINE	SERIES	BODY	ENGINE	TRANS	TRIM	DESCRIPTION
Note: Sales Code DD3=Manual 5Speed									
Note: Sales Code DDF=Manual 5 Speed									
Note: Sales Code DGL=Automatic 4 Speed									
1									LEVER, Park Brake
	04683277	1	C, Y						with Auto Trans
	04764099	1	Y						with Manual Trans
2	06504126	3	C, Y						SCREW AND WASHER, Pan Head, M8x1.25x40.00
3	06101283	2							U-NUT, M8x1.25, Multi THD Parking
4	04683544	1	C, Y						RETAINER, Parking Brake Cable
5	04683544	1							PIN, (Service in Item 1), (NOT SERVICED)
6	04683478	1	C, Y						PAD, Parking Brake Lever
7									SWITCH, Parking Brake
	04685395	1	C, Y						with Auto Trans
	05209922	1	Y						with Manual Trans
8									HANDLE, Parking Brake
	0HV18RC3AB	1	C, Y						(Mist Gray)
	0HV18RK5AB	1	C, Y						(Camel Tan/Agate)
-9	06032723	1				52, 53			SCREW, Self Tapping, M4.2x1.69x19.05
10	06032723	1							CABLE, Parking Brake Release, (NOT REQUIRED)
-11	04683282AB	1	C, Y						CABLE, Parking Brake

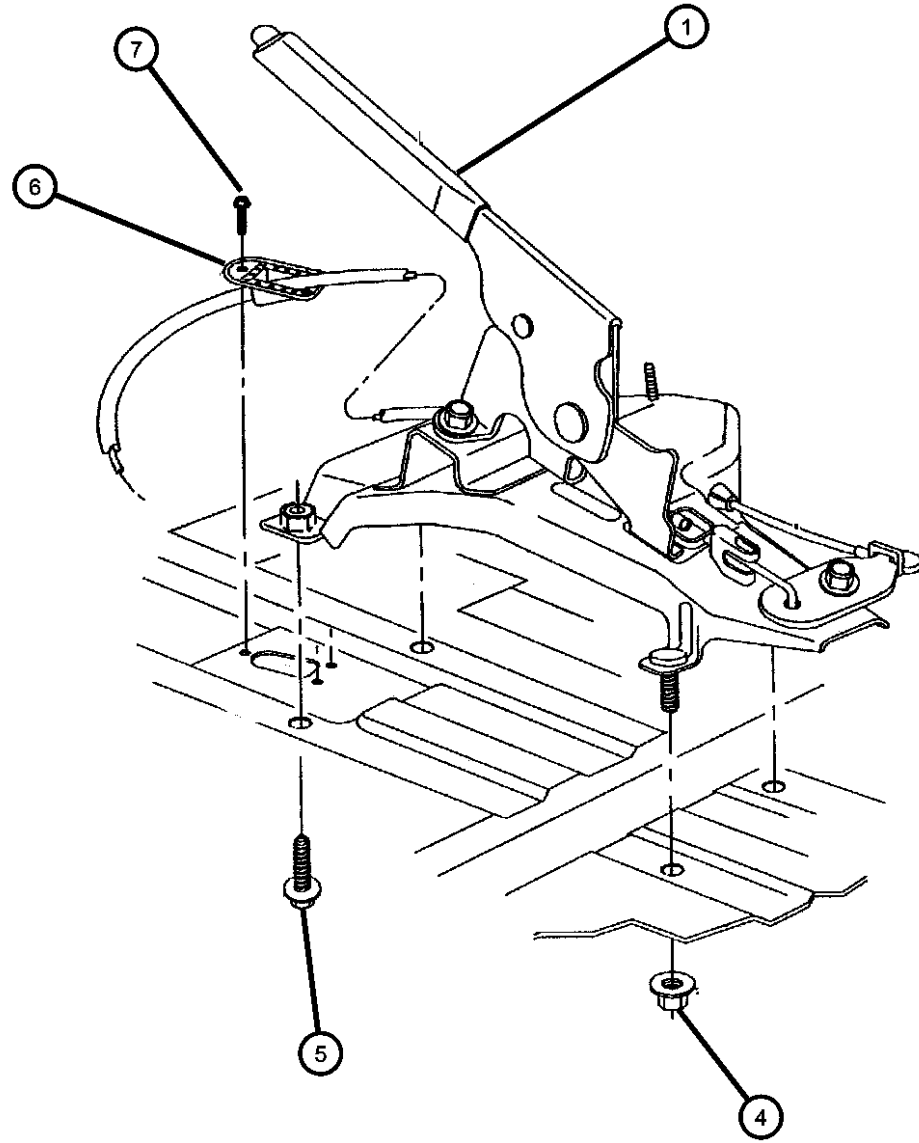
AR = use ase required - = Non illustrated part

Lever, Parking Brake, Hand Operated
Figure 4-144

ITEM	PART NUMBER	QTY	LINE	SERIES	BODY	ENGINE	TRANS	TRIM	DESCRIPTION
------	-------------	-----	------	--------	------	--------	-------	------	-------------

Note: Sales DGL=Automatic 4 Speed

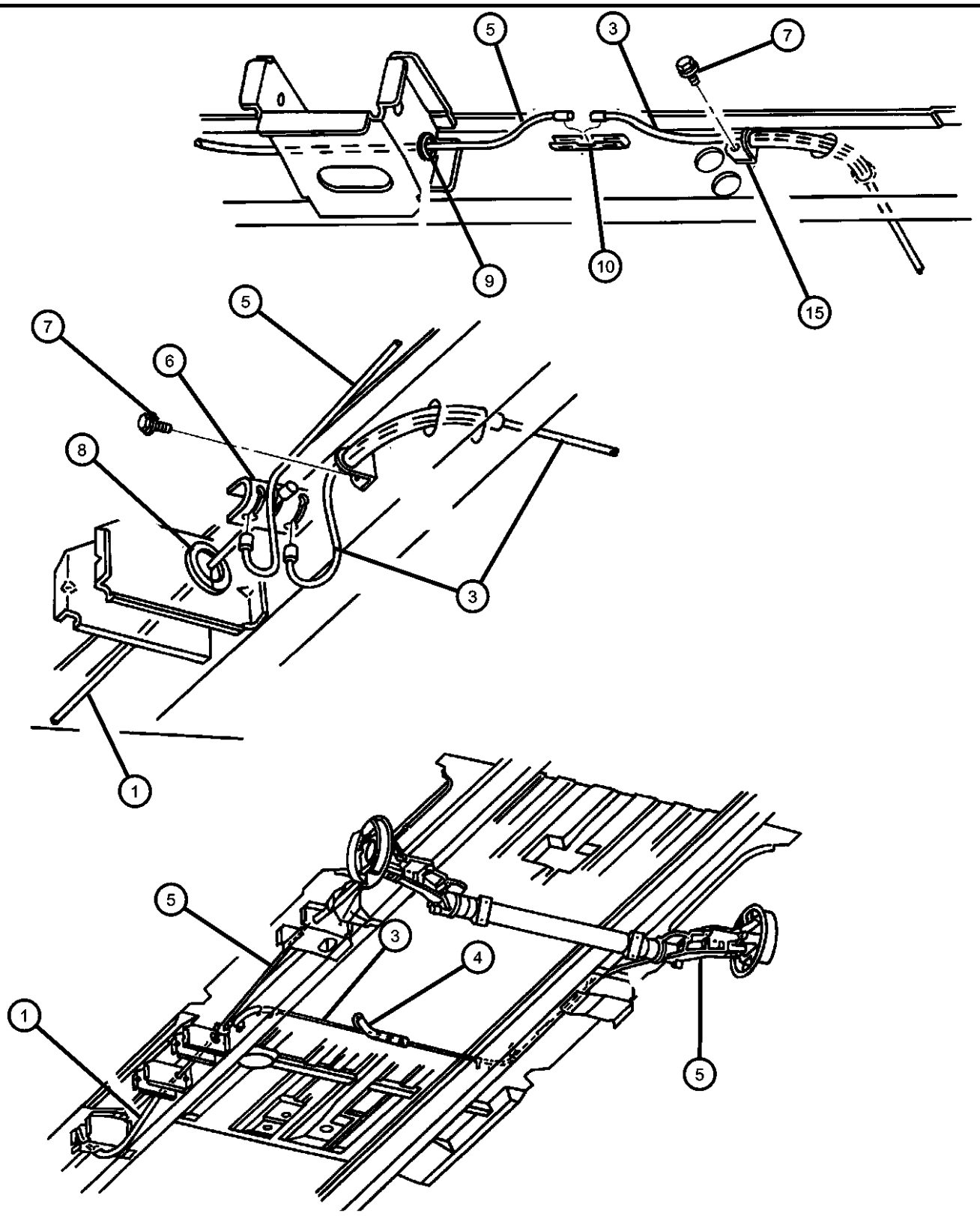
1	04848499AB	1	Z						LEVER, Park Brake
-2	05209922	1	Z						SWITCH, Parking Brake
-3	00154553	1	C, Y						SCREW, Hex Head, .19-16x1
4	00154553	1							NUT AND WASHER, Hex Bracket to Floor M8x125, (NOT SERVICED)
5	00154553	1							BOLT, Tapping Hex Flange Head 0164-18.500, (NOT SERVICED)
6	00154553	1							BRACKET, (Service in Assembly), (NOT SERVICED)
7	00154553	1							SCREW, Qtr A/Rest to Lid Inner Rear .164-18x.500, (NOT SERVICED)



AR = use ase required - = Non illustrated part

Cables, Parking Brake

Figure 4-147



ITEM	PART NUMBER	QTY	LINE	SERIES	BODY	ENGINE	TRANS	TRIM	DESCRIPTION
------	-------------	-----	------	--------	------	--------	-------	------	-------------

Note:Sales Code DD3 =Manual 5 Speed
 Note:Sales Code DDF=Manual 5 Speed
 Note:Sales Code DGL= Manual 5Speed

1	04683285	1	C, Y						CABLE, Parking Brake with Auto Trans
	04721641	1	Z						
		1	Y						with Manual Trans
-2	04446981	1							GROMMET, Cable
3	04683286	1							CABLE, Parking Brake, Intermediate
4	04683579	1							CUSHION, Intermediate Cable
5									CABLE, Parking Brake
	04683298	1	Y, Z		52				Rt (Drum)
	04683299	1	Y, Z		52				Lt (Drum)
	04683300AB	1	Y, Z		53				Rt (Drum)
	04683301	1	Y, Z		53				Lt (Drum)
	04721026	1	C		53				Rt (Disc)
	04721027	1	C		53				Lt (Disc)
	04721028	1	C		52				Rt (Disc)
	04721029	1	C		52				Lt (Disc)
6	04683287	1							EQUALIZER, Parking Brake Cable
7	04683287	1							SCREW, [.312-18x.750], (NOT SERVICED)
8	04683580	1							GROMMET, Parking Brake Cable, Front
9	04683581	1							GROMMET, Parking Brake Cable, Rear
10	03766234	1							CONNECTOR, Intermediate to Rear, Rear
-11	04683626	1	Y						BRACKET, Parking Brake, with Manual Trans
-12	04683667	1	Y						BRACKET, Brake Cable Guide, with Manual Trans
-13									CLIP, Parking Brake Cable
	04616248	1	Y						
		1	Z						
-14									SEAL, Parking Brake Cable
	05200384	1	Z						
		1	Y						
15	04683496	2							BRACKET, Parking Brake Cable, Plus use Item 3

AR = use ase required - = Non illustrated part