

VIN PLATE DECODING INFORMATION

1	2	3	4	5	6	7	8	9	10	11	12 thru 17
Country	Make	Vehicle Type	Other	Line	Series	Body Style	Engine	Check Digit	Model Year	Assy. Plant	Sequence No.

The following table interprets the VIN Plate position shown above.

Position	Interpretation	Codes = Description
1	Country of Origin	1 = United States 2 = Canada
2	Assembler	C = Chrysler P = Plymouth B = Dodge
3	Vehicle Type	4 = Multipurpose Passenger Vehicle
4	GVWR & Pass. Safety	L = 4083-4535 kg (9001-10000 lbs) M = 4536-6350 kg (10001-14000 lbs) D = 0-1360 kg (0-3000 lbs) E = 1361-1814 kg (3001-4000 lbs) F = 1815-2267 kg (4001-5000 lbs) G = 2268-2721 kg (5001-6000 lbs) H = 2722-3175 kg (6001-7000 lbs) J = 3176-3628 kg (7001-8000 lbs) K = 3629-4082 kg (8001-9000 lbs)
5	Vehicle Line	P = FWD Dodge, Caravan/Grand Caravan P = FWD Plymouth, Voyager/Grand Voyager P = FWD Chrysler, Town & Country T = AWD Chrysler, Town & Country T = AWD Dodge, Grand Caravan T = AWD Plymouth, Grand Voyager
6	Series	2 = Low Line 4 = High Line 6 = Sport 5 = Premium Line
7	Body Style	4 = Long Wheel Base 5 = Short Wheel Base
8	Engine	B = 2.4L 4 Cyl. (EDZ) R = 3.3L 6 Cyl.(EGA/EGM) 3 = 3.0L 6 Cyl. (EFA) 8 = 95 H.P Electric Motor (E98) L = 3.8L 6 Cyl. (EGH) J = 3.3L V6 CNG (EGP)
9	Check Digit	0 = Check Digit
10	Model Year	V = 1997
11	Assembly Plant	B = St. Louis Assembly North R = Windsor Assembly
12 thru 17	Vehicle Build Sequence	Model Year Assembly Sequence

Group - 2

Front Suspension & Drive

Group - 2 Front Suspension & Drive

Illustration Title

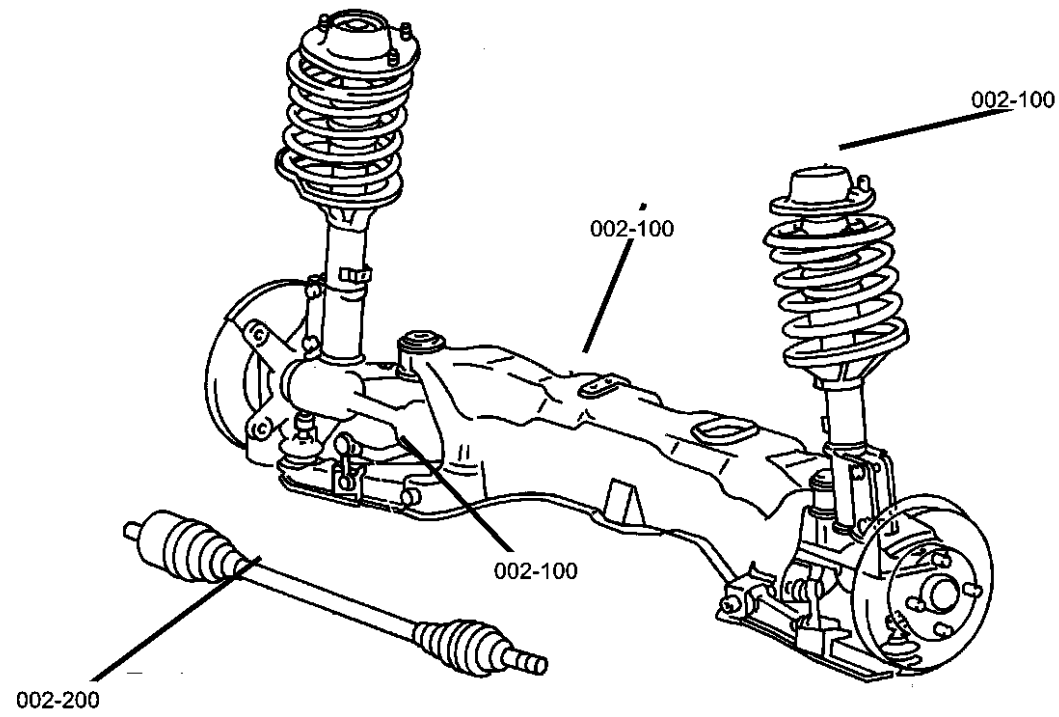
Group-Fig. No.

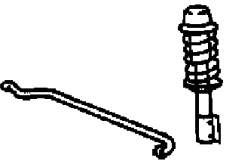
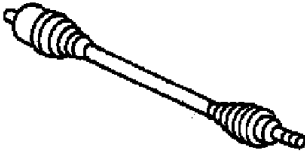
Front Suspension

Suspension, Front..... Fig. 2 - 145

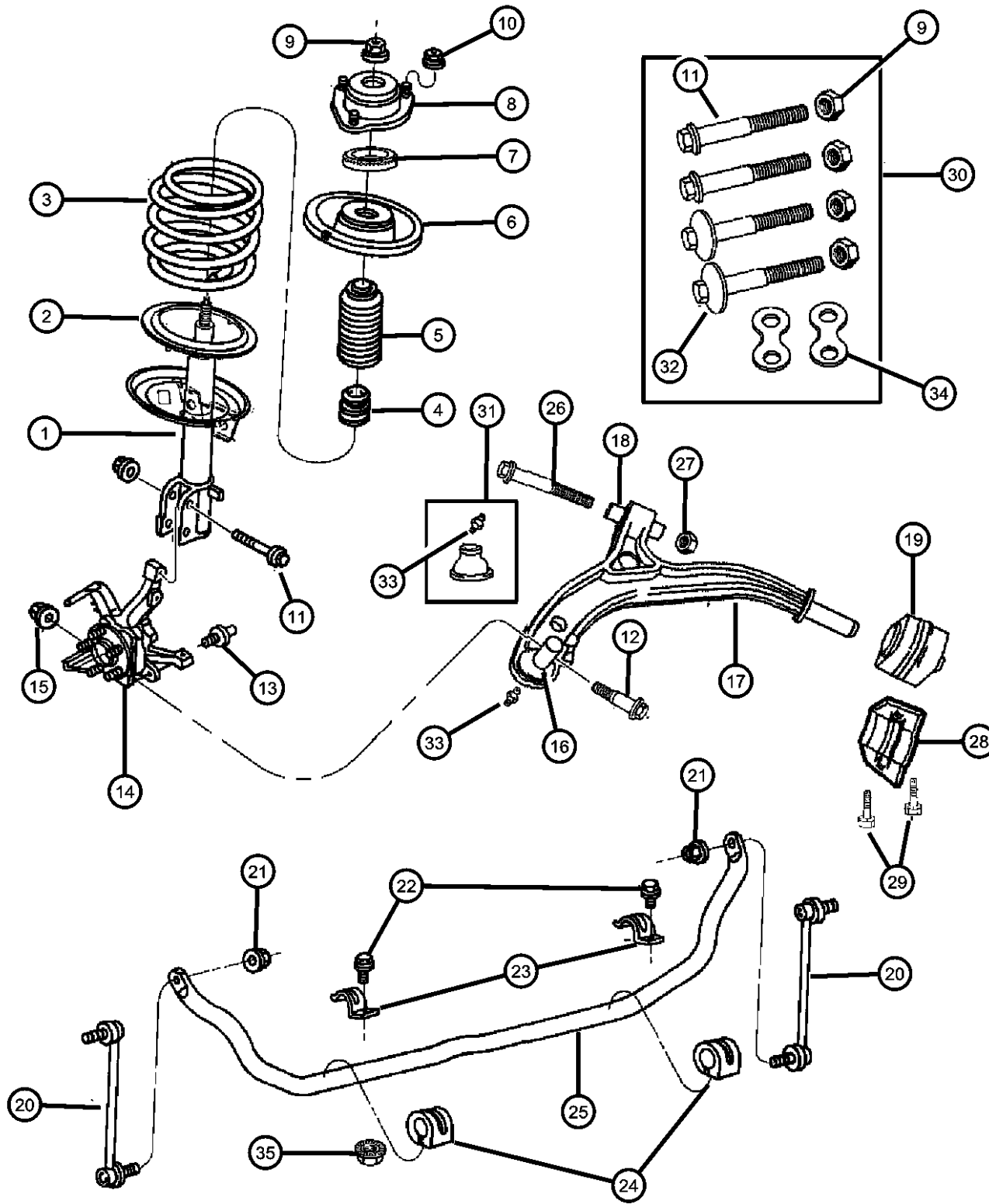
Front Axle Drive Shafts

Shaft, Front Drive Fig. 2 - 245



<p>002-100 Front Suspension</p> 	<p>002-200 Front Axle Drive Shafts</p> 		
--	---	--	--

**Suspension, Front
Figure 2-145**



ITEM	PART NUMBER	QTY	LINE	SERIES	BODY	ENGINE	TRANS	TRIM	DESCRIPTION
------	-------------	-----	------	--------	------	--------	-------	------	-------------

NOTE: Sales Code BRA= DISC/DRUM (14")
 NOTE: Sales Code BRB= DISC/DRUM (15")
 NOTE: Sales Code BRV= DISC/DRUM Heavy Duty (15")
 NOTE: Sales Code BRE= DISC/DISC (15")
 NOTE: Sales Code SDA= Standard Suspension
 NOTE: Sales Code SDB= Heavy Duty Suspensi
 NOTE: Sales code SDD=Heavy duty Suspension
 NOTE: Sales Code SDD=Commercial Wagon
 NOTE: Sales Code ZAB thru ZNM Spring Group Types Found on Individual Vehical Sales Code Listing

1									STRUT, Front Suspension [SDB, ATE, ATF]
	04743547	2		H, K, Y					[SDA]
	04897451AA	2							Mopar V-Line Alternative Part
	G0067697								Mopar V-Line Alternative Part
	0SG81964								[SDB]
		2		H, K, Y					Mopar V-Line Alternative Part
	G0067697								Mopar V-Line Alternative Part
	0SG81964								Mopar V-Line Alternative Part
2	04694796	2							ISOLATOR, Spring, Lower Spring Seat
3									SPRING, Front Coil
	04684514	1							W/All Suspension (ZAB,ZNB) Tag# 514
	04684515	1							W/All Suspension (ZAC,ZNC) Tag# 515
	04684516	1							W/All Suspension (ZAD,ZND) Tag# 516
	04684517	1							W/All Suspension (ZAE,ZNE) Tag# 517
	04684518	1							W/All Suspension (ZAF,ZNF) Tag# 518
	04684519	1							W/All Suspension (ZAG,ZNG) Tag# 519
	04684520	1							W/All Suspension (ZAH,ZNH) Tag# 520
	04684521	1							W/All Suspension (ZAJ,ZNJ) Tag# 521
	04684563	1							W/All Suspension (ZBB,ZPB) Tag# 563
	04684564	1							W/All Suspension (ZBC,ZPC) Tag# 564

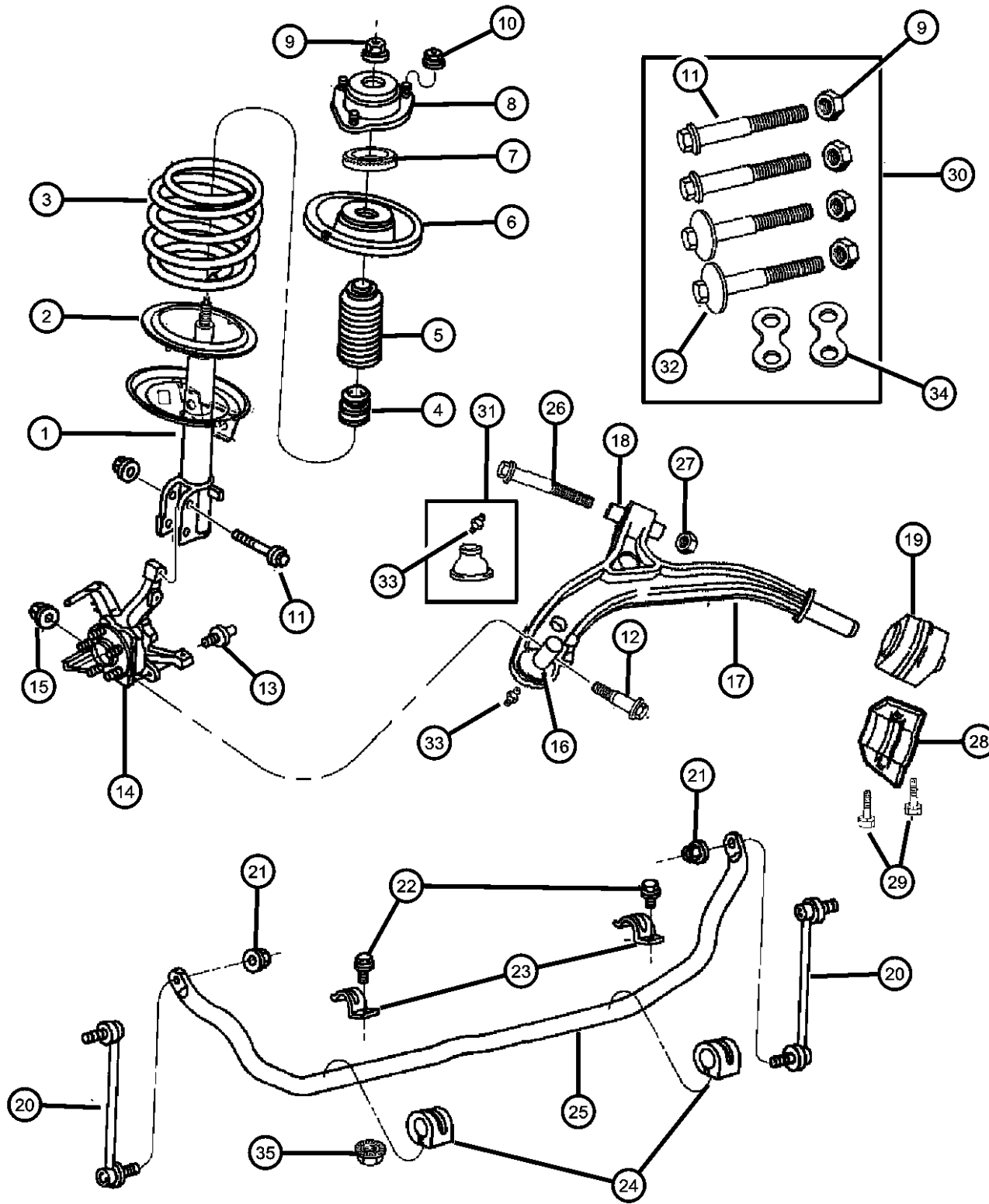
CARAVAN, VOYAGER, TOWN AND COUNTRY (NS)

SERIES	LINE	BODY	ENGINE	TRANSMISSION
L = Base	C = CHRYSLER, AWD	53 = 119.3 Long Wheelbase	E98 = Electric Motor	DAC = Single Speed Transmission
H = LX, SE	D = DODGE, AWD	52 = 113.3 Short Wheelbase	EDZ = 2.4L 4 Cyl DOHC 16V SMPI Engine	DGC = 3-Speed Automatic Transmission
P = LXI, LE	P = PLYMOUTH, AWD		EFA = 3.0L V6 SMPI Engine	DGL = 4-Speed Automatic Transmission
S = Limited	K = DODGE, FWD		EGA = 3.3L V6 OHV Engine	DGM = 3-Spd. Automatic 31TH Transmission
X = ES	Y = CHRYSLER, FWD		EGH = 3.8L V6 OHV Engine	DGO = All Automatic Transmissions
	H = PLYMOUTH, FWD		EGM = ENGINE - 3.3L V6 SMPI FFV	
			EGP = 3.3L V6 CNG Engine	

AR = use ase required - = Non illustrated part

1997 NS

Suspension, Front
Figure 2-145



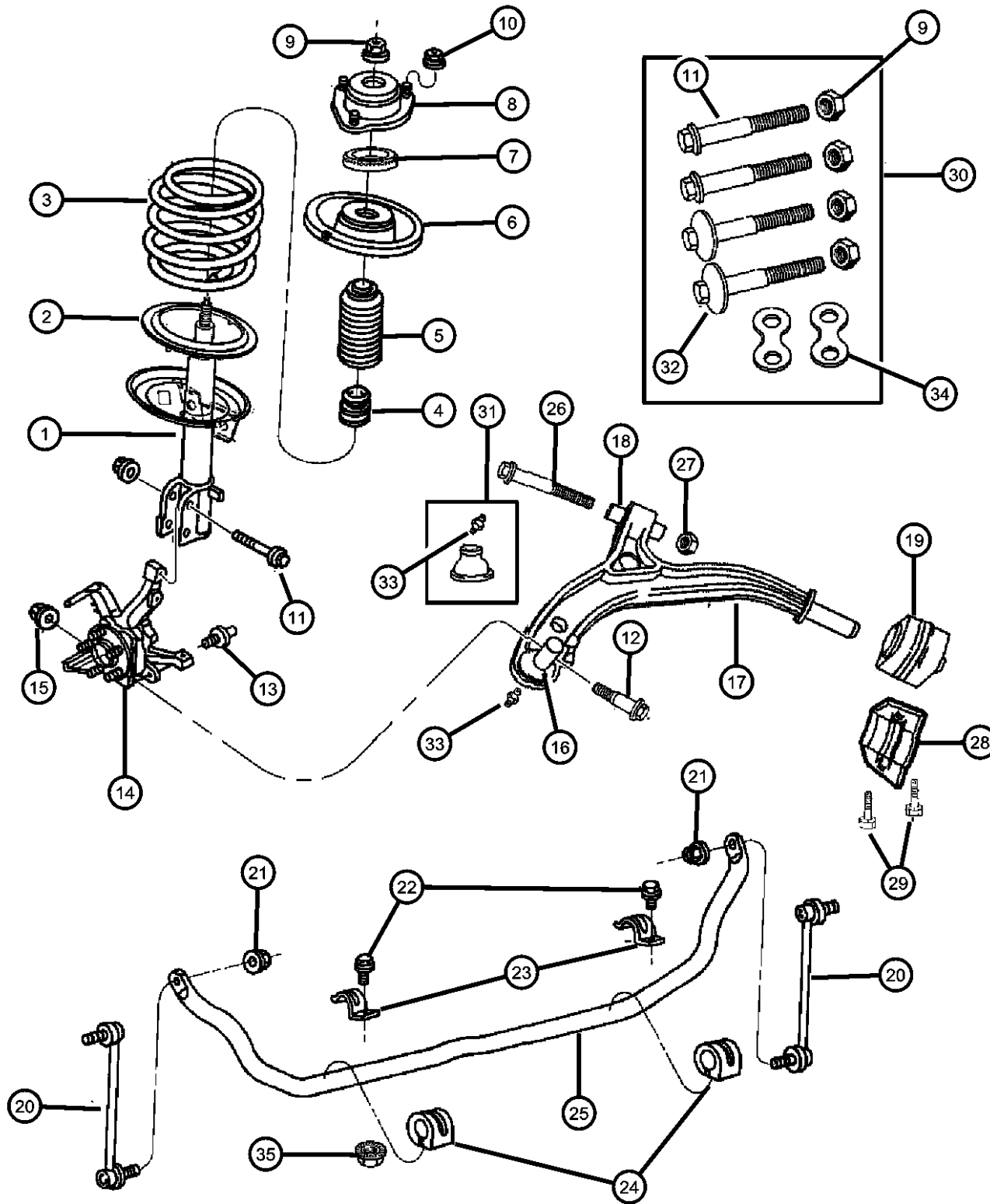
ITEM	PART NUMBER	QTY	LINE	SERIES	BODY	ENGINE	TRANS	TRIM	DESCRIPTION
	04684565	1							W/All Suspension (ZBD,ZPD) Tag# 565
	04684566	1							W/All Suspension (ZBE,ZPE) Tag# 566
	04684567	1							W/All Suspension (ZBF,ZPF) Tag# 567
	04684568	1							W/All Suspension (ZBG,ZPG) Tag# 568
	04684569	1							W/All Suspension (ZBH,ZPH) Tag# 569
	04684570	1							W/All Suspension (ZBJ,ZPJ) Tag# 570
	04684571	1							W/All Suspension (ZBK,ZPK) Tag# 571
	04684572	1							W/All Suspension (ZBL,ZPL) Tag# 572
	04684573	1							W/All Suspension (ZBM,ZPM) Tag# 573
4	04684442	2							BUMPER, Jounce, Front Suspension Strut Jounce Damper
5	04684443	2							SHIELD, Shock Absorber Dust, Dust Front Susp Strut
6	04684136	2							SEAT, Spring
7	04684418	2							BEARING, Strut Mount, Spring Seat
8	04684129	2							MOUNT, Strut
9	06502698	2							NUT, Hex Flange Lock, Strut Mount M14-2.00 21MM Hex-Lock
10	06101445	6							NUT AND WASHER, Hex Nut-Coned Washer, M8 x 1.25, Coned Washer Strut Mount to Fender
11	06503307	4							BOLT, Hex Head, M14 x 2.0 x 74.00, Strut to Knuckle 21MM Hex-Lock
12	06502336	2							BOLT, Hex Head, M14x2.0x57
13	06503304	2							STUD, Wheel Stop, M12-1.50x40.00 18MM Hex
14									KNUCKLE, Front, w/o Hub and Bearing
	04684457	1							[BRB] [BRV] [BRE] Also use 6101056 Screw, Left
	04684458	1							[BRA], Right

CARAVAN, VOYAGER, TOWN AND COUNTRY (NS)

SERIES	LINE	BODY	ENGINE	TRANSMISSION
L = Base	C = CHRYSLER, AWD	53 = 119.3 Long Wheelbase	E98 = Electric Motor	DAC = Single Speed Transmission
H = LX, SE	D = DODGE, AWD	52 = 113.3 Short Wheelbase	EDZ = 2.4L 4 Cyl DOHC 16V SMPI Engine	DGC = 3-Speed Automatic Transmission
P = LXI, LE	P = PLYMOUTH, AWD		EFA = 3.0L V6 SMPI Engine	DGL = 4-Speed Automatic Transmission
S = Limited	K = DODGE, FWD		EGA = 3.3L V6 OHV Engine	DGM = 3-Spd. Automatic 31TH Transmission
X = ES	Y = CHRYSLER, FWD		EGH = 3.8L V6 OHV Engine	DGO = All Automatic Transmissions
	H = PLYMOUTH, FWD		EGM = ENGINE - 3.3L V6 SMPI FFV	
			EGP = 3.3L V6 CNG Engine	

AR = use ase required - = Non illustrated part

Suspension, Front
Figure 2-145



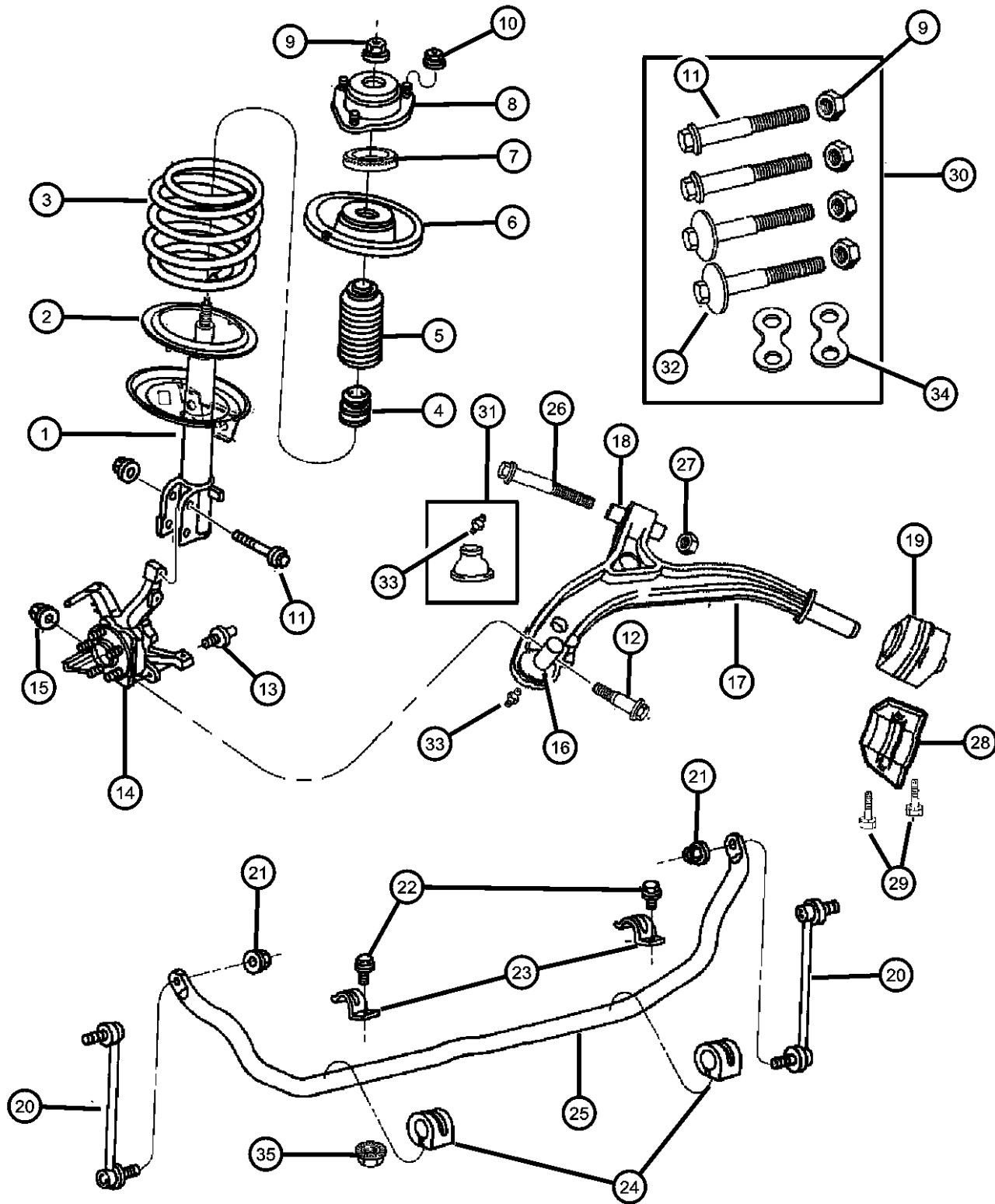
ITEM	PART NUMBER	QTY	LINE	SERIES	BODY	ENGINE	TRANS	TRIM	DESCRIPTION
	04684459	1							[BRA], Left
	04694822	1							[BRB] [BRV] [BRE] Also use 6101056 Screw, Right
15	06502335	2							NUT, Hex Lock, M14 x 2.00, Knuckle to LCA Ball Joint 21MM Hex
16	04694747	1							BALL JOINT, Lower Control Arm
17									ARM, Control
	04694760	1							Front Lower Control (LCA), Right
	04694761	1							Front Lower Control (LCA), Left
18	04684120	1							BUSHING, Pivot, Front
19	04684548	1							BUSHING, Lower Control Arm, Rear Pivot
20	04694855	2							LINK, Sway Eliminator, Sway Eliminator
21	06503870	4							NUT AND WASHER, Hex Lock Nut-Coned Washer, M12 x 1.75, Link to Sway Bar 18MM Hex Lock
22	06502954	2				EGA, EGH			SCREW AND WASHER, Hex Head, M10x1.5x53, Hex Hd Sway Elim to C/Member
23	04684298	2							CLAMP, Stabilizer Bar to Sill, Sway Elim to C/Member
24	04684890	2							CUSHION, Sway Eliminator, Sway Bar Frt Suspension
25	04694751	1							BAR, Front Sway, Sway Eliminator Solid
26	06504508	2							BOLT, Hex Head, M14 x 2.00 x 120.00, Frt Susp Control Arm Pivot
27	06502698	2							NUT, Hex Flange Lock, M14x2.00, 21mm Hex Control Arm Pivot
28	04694777	2							RETAINER, Lower Control Arm, LCA to Cradle
29	06101848	4							SCREW AND WASHER, Hex Head, M10-1.50x30, Hex Hd LCA Bracket to Cradle
30	04797723	1							BOLT PACKAGE, Camber Adjustment
31	04797449	1							SEAL PACKAGE, Suspension, Ball Joint
32	06503308	2	H		52				BOLT, Cam, M14 x 2.0 x 74.00

CARAVAN, VOYAGER, TOWN AND COUNTRY (NS)

SERIES	LINE	BODY	ENGINE	TRANSMISSION
L = Base	C = CHRYSLER, AWD	53 = 119.3 Long Wheelbase	E98 = Electric Motor	DAC = Single Speed Transmission
H = LX, SE	D = DODGE, AWD	52 = 113.3 Short Wheelbase	EDZ = 2.4L 4 Cyl DOHC 16V SMPI Engine	DGC = 3-Speed Automatic Transmission
P = LXI, LE	P = PLYMOUTH, AWD		EFA = 3.0L V6 SMPI Engine	DGL = 4-Speed Automatic Transmission
S = Limited	K = DODGE, FWD		EGA = 3.3L V6 OHV Engine	DGM = 3-Speed. Automatic 31TH Transmission
X = ES	Y = CHRYSLER, FWD		EGH = 3.8L V6 OHV Engine	DGO = All Automatic Transmissions
	H = PLYMOUTH, FWD		EGM = ENGINE - 3.3L V6 SMPI FFV	
			EGP = 3.3L V6 CNG Engine	

AR = use ase required - = Non illustrated part

Suspension, Front
Figure 2-145



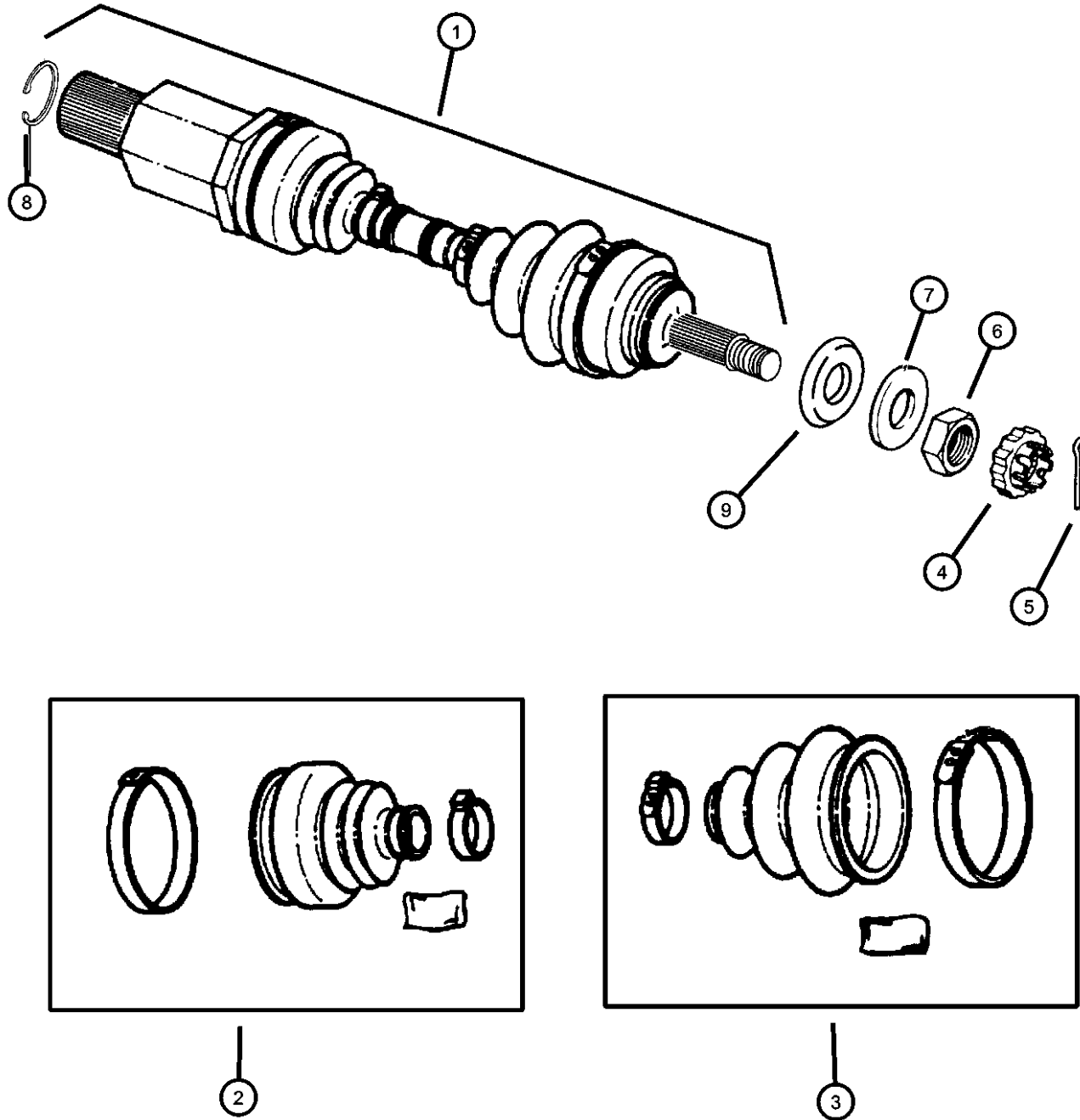
ITEM	PART NUMBER	QTY	LINE	SERIES	BODY	ENGINE	TRANS	TRIM	DESCRIPTION
33	04694745	1							FITTING, Ball Joint, Zirc
34	04684637	2	H, K, Y		52				WASHER, Dog Bone Strut, Strut Atch (Dog Bone)
35	06502696	2							NUT, Hex Flange Lock, M14x1.50, Swaybar Bracket to Crossmember

CARAVAN, VOYAGER, TOWN AND COUNTRY (NS)

SERIES	LINE	BODY	ENGINE	TRANSMISSION
L = Base	C = CHRYSLER, AWD	53 = 119.3 Long Wheelbase	E98 = Electric Motor	DAC = Single Speed Transmission
H = LX, SE	D = DODGE, AWD	52 = 113.3 Short Wheelbase	EDZ = 2.4L 4 Cyl DOHC 16V SMPI Engine	DGC = 3-Speed Automatic Transmission
P = LXI, LE	P = PLYMOUTH, AWD		EFA = 3.0L V6 SMPI Engine	DGL = 4-Speed Automatic Transmission
S = Limited	K = DODGE, FWD		EGA = 3.3L V6 OHV Engine	DGM = 3-Spd. Automatic 31TH Transmission
X = ES	Y = CHRYSLER, FWD		EGH = 3.8L V6 OHV Engine	DG0 = All Automatic Transmissions
	H = PLYMOUTH, FWD		EGM = ENGINE - 3.3L V6 SMPI FFV	
			EGP = 3.3L V6 CNG Engine	

AR = use ase required - = Non illustrated part

Shaft, Front Drive
Figure 2-245



ITEM	PART NUMBER	QTY	LINE	SERIES	BODY	ENGINE	TRANS	TRIM	DESCRIPTION
1	04641981	1	H, K, Y						SHAFT, Front Drive
	R2073658								Tag# 4641981, Left
	R2073659								Mopar Remanufactured Part w/o ABS
	R2073659	1	C, D, P		53				Mopar Remanufactured Part w/ AWD w/ABS
	R2073658								Tag# 4641981, Left
	R2073659								Mopar Remanufactured Part w/o ABS
	R2073659								Mopar Remanufactured Part w/ AWD w/ABS
	04660288	1	C, D, P		53				Tag# 4660288, Right
	R2073668								Mopar Remanufactured Part w/o ABS
	04808568	1	H, K, Y						Tag# 4808568, Right
	R2073669								Mopar Remanufactured Part w/ABS
	R2073702								Mopar Remanufactured Part w/ AWD w/ABS
	R2073668								Mopar Remanufactured Part w/o ABS
2	04797699	1							BOOT KIT, Half Shaft, Inner
	R2826100								w/or w/o ABS All Engines All Trans, Right
	04797700	1							Mopar Remanufactured Part
	04797700								w/or w/o ABS All Engines All Trans, Left
3	04641181	1							BOOT KIT, Half Shaft, Outer, w/o
	R2826075								w/o ABS All Engines All Trans
	R2826075								Mopar Remanufactured Part
4	04293167	2	H, K, Y						NUT AND WASHER PACKAGE, Front Hub
	04293167	4	C, D, P		53				
5	06500336	2	H, K, Y						PIN, Cotter, M5x36.00
	06500336	4	C, D, P		53				
6	06500298	2	H, K, Y						NUT, Hub, M22x1.5

CARAVAN, VOYAGER, TOWN AND COUNTRY (NS)

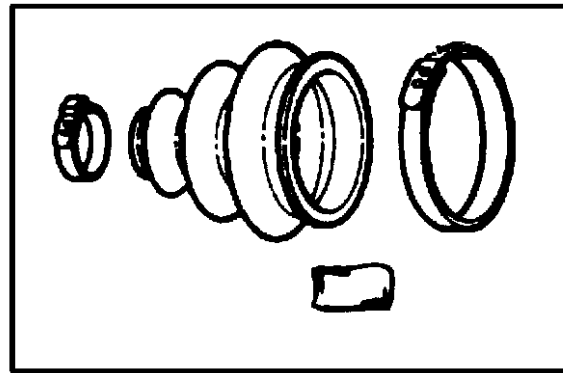
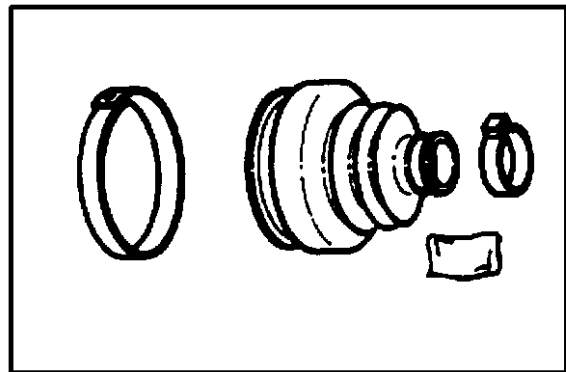
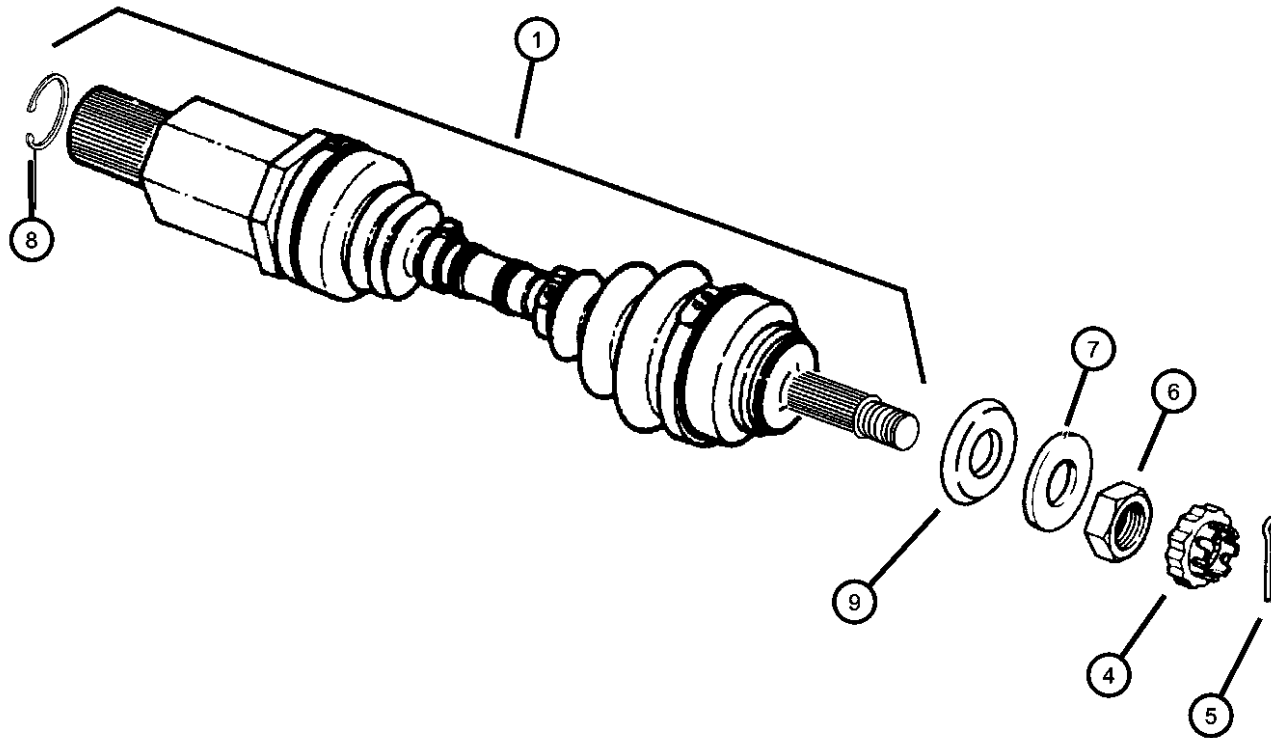
SERIES	LINE	BODY	ENGINE	TRANSMISSION
L = Base	C = CHRYSLER, AWD	53 = 119.3 Long Wheelbase	E98 = Electric Motor	DAC = Single Speed Transmission
H = LX, SE	D = DODGE, AWD	52 = 113.3 Short Wheelbase	EDZ = 2.4L 4 Cyl DOHC 16V SMPI Engine	DGC = 3-Speed Automatic Transmission
P = LXI, LE	P = PLYMOUTH, AWD		EFA = 3.0L V6 SMPI Engine	DGL = 4-Speed Automatic Transmission
S = Limited	K = DODGE, FWD		EGA = 3.3L V6 OHV Engine	DGM = 3-Spd. Automatic 31TH Transmission
X = ES	Y = CHRYSLER, FWD		EGH = 3.8L V6 OHV Engine	DGP = All Automatic Transmissions
	H = PLYMOUTH, FWD		EGM = ENGINE - 3.3L V6 SMPI FFV	
			EGP = 3.3L V6 CNG Engine	

AR = use ase required - = Non illustrated part

1997 NS

Shaft, Front Drive
Figure 2-245

ITEM	PART NUMBER	QTY	LINE	SERIES	BODY	ENGINE	TRANS	TRIM	DESCRIPTION
7		4	C, D, P		53				WASHER, Flat, M23x38.0x405
	06503352	2	H, K, Y						Hub ID=M23 OD=38.0 THK=4.05
		4	C, D, P		53				Hub ID=M23 OD=38.0 THK=4.05
8	04797704	1							CIRCLIP, Half Shaft
9	04641698	1							SHIELD, Wheel Bearing



CARAVAN, VOYAGER, TOWN AND COUNTRY (NS)

SERIES	LINE	BODY	ENGINE	TRANSMISSION
L = Base	C = CHRYSLER, AWD	53 = 119.3 Long Wheelbase	E98 = Electric Motor	DAC = Single Speed Transmission
H = LX, SE	D = DODGE, AWD	52 = 113.3 Short Wheelbase	EDZ = 2.4L 4 Cyl DOHC 16V SMPI Engine	DGC = 3-Speed Automatic Transmission
P = LXI, LE	P = PLYMOUTH, AWD		EFA = 3.0L V6 SMPI Engine	DGL = 4-Speed Automatic Transmission
S = Limited	K = DODGE, FWD		EGA = 3.3L V6 OHV Engine	DGM = 3-Spd. Automatic 31TH Transmission
X = ES	Y = CHRYSLER, FWD		EGH = 3.8L V6 OHV Engine	DGP = 3.3L V6 CNG Engine
	H = PLYMOUTH, FWD		EGM = ENGINE - 3.3L V6 SMPI FFV	DG0 = All Automatic Transmissions

AR = use ase required - = Non illustrated part

1997 NS

Group - 3

Rear Axle

Group - 3 Rear Axle

Illustration Title

Group-Fig. No.

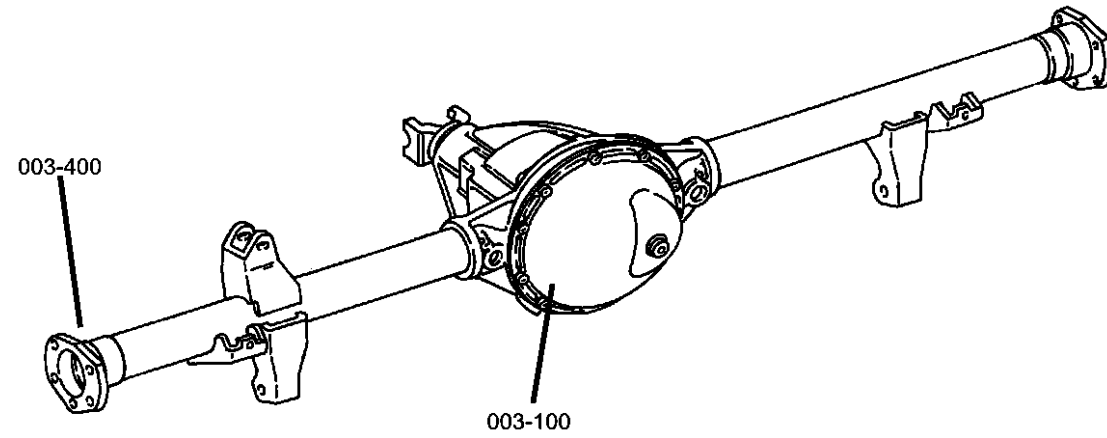
Rear Axle

Differential, Rear Awd..... Fig. 3 - 115

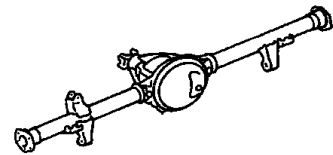
Torque Tube Assembly Awd..... Fig. 3 - 130

Rear Axle Shafts

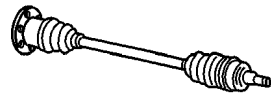
Shaft, Rear Axle Awd Fig. 3 - 420



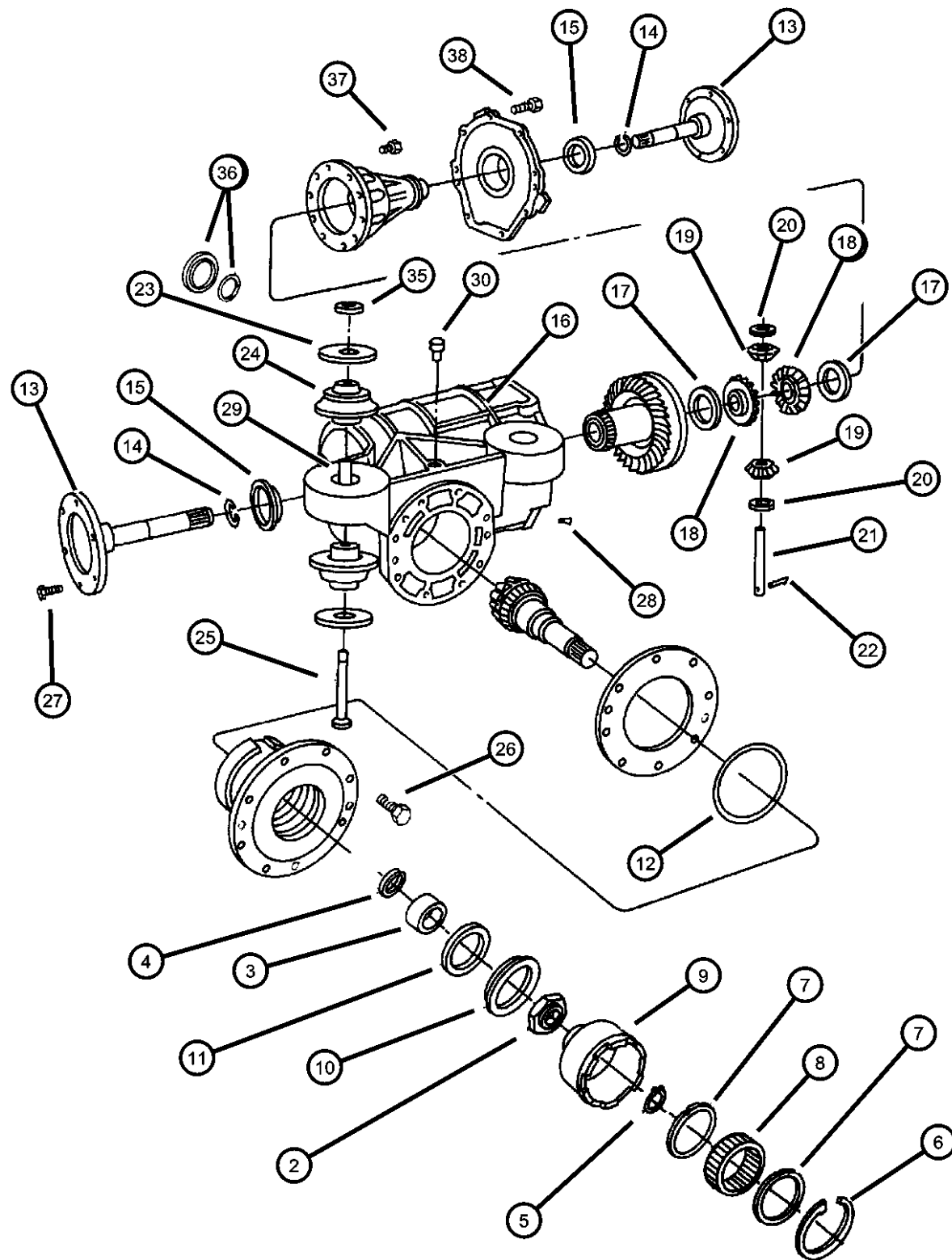
003-100
Rear Axle



003-400
Rear Axle Shafts



Differential, Rear Awd
Figure 3-115



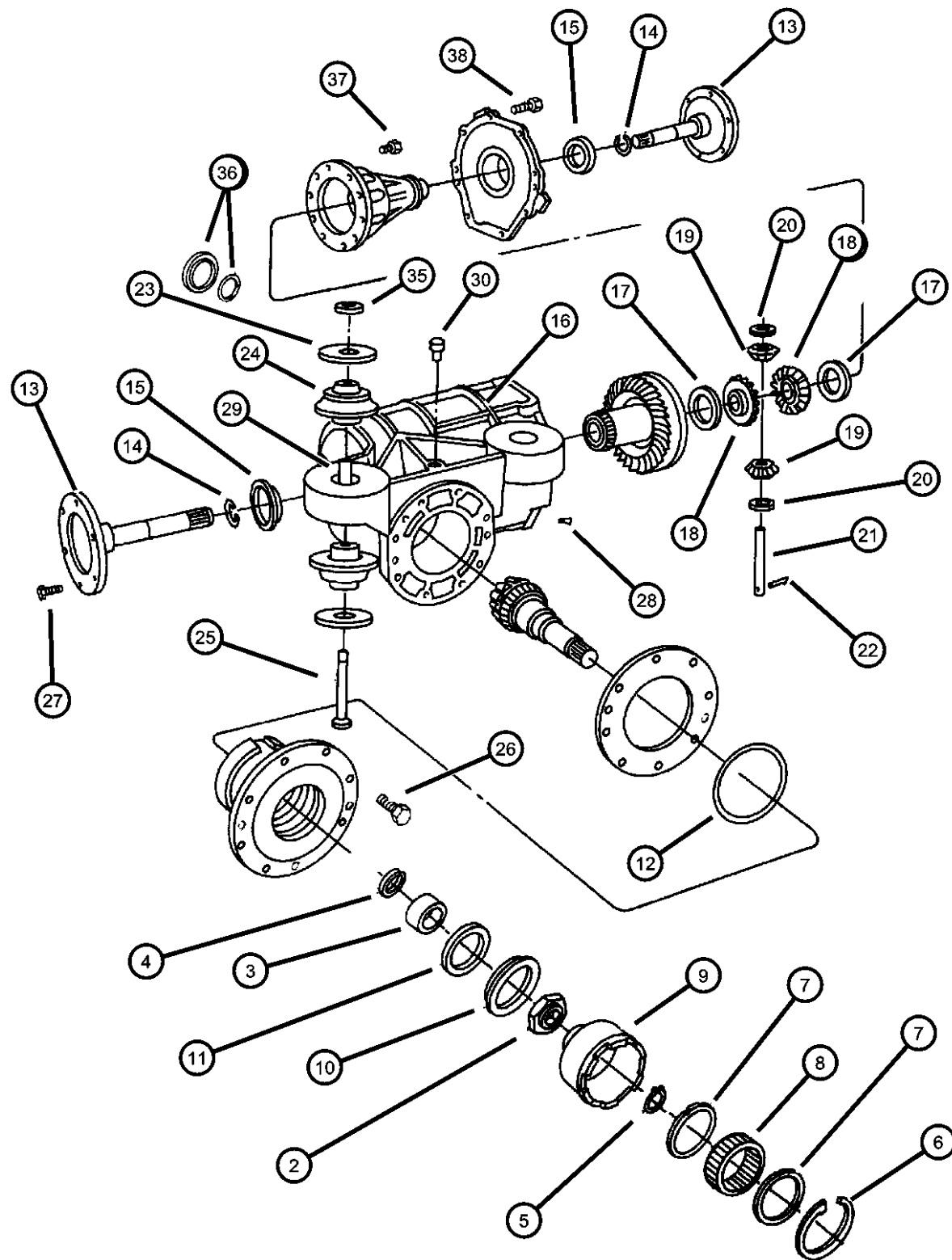
ITEM	PART NUMBER	QTY	LINE	SERIES	BODY	ENGINE	TRANS	TRIM	DESCRIPTION
-1	04518960	1	C, D, P		53				CARRIER, Differential, Assembly Complete
2	04518766	1	C, D, P		53				NUT, Hex Flange Lock, M30X1.50
3	04518143	1	C, D, P		53				SPACER, Drive Pinion
4	04641415	AR	C, D, P		53				SHIM, Output Shaft, 4.67 - 4.69mm
5	04486755	1	C, D, P		53				SNAP RING
6	04518952	1	C, D, P		53				SNAP RING
7	04518536	1	C		53				SPACER, Overrunning Clutch
8	04518953	1	C, D, P		53				CLUTCH, Rear Axle, Over Running
9	04518510	1	C, D, P		53				RACE, Overrunning Clutch
10	04637109	1	C, D, P		53				SEAL PACKAGE, Differential Carrier
11	04637109	1	C, D, P		53				SEAL PACKAGE, Differential Carrier
12	04486077	1	C, D, P		53				O RING, PTU Case Rear Cover
13	04518920	2	C, D, P		53				OUTPUT SHAFT, Rear Axle, Carrier Output
14	04518780	2	C, D, P		53				SNAP RING, Joint Retaining
15	04641263	1	C, D, P		53				SEAL, Extension
16	04641263	1							CASE ASSEMBLY, Differential, CASE, Rear Differential (Serviced in Assembly), (NOT SERVICED)
17	04504568	AR							WASHER PACKAGE, Side Gear Thrust, .028/.026, .033/.031, .038/.036, .043/.041, .048/.046
18	04659502	2							GEAR, Differential Side
19	04348679	2							PINION, Differential
20	04137024	2	C, D, P		53				WASHER, Pinion Thrust, Pinion Gear
21	04659142	1							SHAFT, Pinion Gear
22	06503827	1							PIN, Pinion Shaft
23	04486903	2	C, D, P		53				WASHER, Rear Axle Isolator, ID=M11 OD=65.00 THK=0.40
24	04486901	4	C, D, P		53				BUSHING, Isolator, Carrier (Rubber)
25	04518329	2	C, D, P		53				BOLT, Rear Carrier
26	04518329	2							SCREW, (NOT SERVICED)

CARAVAN, VOYAGER, TOWN AND COUNTRY (NS)

SERIES	LINE	BODY	ENGINE	TRANSMISSION
L = Base	C = CHRYSLER, AWD	53 = 119.3 Long Wheelbase	E98 = Electric Motor	DAC = Single Speed Transmission
H = LX, SE	D = DODGE, AWD	52 = 113.3 Short Wheelbase	EDZ = 2.4L 4 Cyl DOHC 16V SMPI Engine	DGC = 3-Speed Automatic Transmission
P = LXI, LE	P = PLYMOUTH, AWD		EFA = 3.0L V6 SMPI Engine	DGL = 4-Speed Automatic Transmission
S = Limited	K = DODGE, FWD		EGA = 3.3L V6 OHV Engine	DGM = 3-Spd. Automatic 31TH Transmission
X = ES	Y = CHRYSLER, FWD		EGH = 3.8L V6 OHV Engine	DGO = All Automatic Transmissions
	H = PLYMOUTH, FWD		EGM = ENGINE - 3.3L V6 SMPI FFV	
			EGP = 3.3L V6 CNG Engine	

AR = use ase required - = Non illustrated part

Differential, Rear Awd
Figure 3-115



ITEM	PART NUMBER	QTY	LINE	SERIES	BODY	ENGINE	TRANS	TRIM	DESCRIPTION
27	06502350	12	C, D, P		53				BOLT, Hex Flange Head, M10x1.50x25, Axle Shaft to Output Shaft
28	04486046	1	C, D, P		53				MAGNET, Power Take Off, Rear Drive Module End Cover
29	04486902	4	C, D, P		53				SLEEVE, Carrier Rubber, Isolator
30	02124715	1	C, D, P		53				VENT, Cap, Jiggle
-31	04641681	1	C, D, P		53				HOSE, Axle Vent
-32	04641290	AR							RESERVOIR, Rear Carrier, Remote Vent
-33	04213328	1	C, D, P		53				VENT, Cap, Hose ***
-34	04641701	1	C, D, P		53				CLAMP, Axle Vent, Assembly
35	04518308	2	C, D, P		53				WASHER, Rear Axle Isolator, ID=M11 OD=65.00 THK=0.40
36	04637108	1	C, D, P		53				PLUG PACKAGE, Fill
37	04637108	1							BOLT, Ring Gear, (NOT SERVICED)
38	06504171	8							SCREW, Hex Flange Head, M8x1.25x32
-39	04641416	AR	C, D, P		53				SHIM, Output Shaft, 4.70 - 4.72mm
-40	04641417	AR	C, D, P		53				SHIM, Output Shaft, 4.73 - 4.75mm
-41	04641418	AR	C, D, P		53				SHIM, Output Shaft, 4.76 - 4.78mm
-42	04641419	AR	C, D, P		53				SHIM, Output Shaft, 4.79 - 4.81mm
-43	04641420	AR	C, D, P		53				SHIM, Output Shaft, 4.82 - 4.84mm
-44	04641421	AR	C, D, P		53				SHIM, Output Shaft, 4.85 - 4.87mm
-45	04641422	AR	C, D, P		53				SHIM, Output Shaft, 4.88 - 4.90mm
-46	04641423	AR	C, D, P		53				SHIM, Output Shaft, 4.91 - 4.93mm
-47	04641424	AR	C, D, P		53				SHIM, Output Shaft, 4.94 - 4.96mm
-48	04641425	AR	C, D, P		53				SHIM, Output Shaft, 4.97 - 4.99mm
-49	04641426	AR	C, D, P		53				SHIM, Output Shaft, 5.00 - 5.02mm
-50	04641427	AR	C, D, P		53				SHIM, Output Shaft, 5.03 - 5.05mm
-51	04641428	AR	C, D, P		53				SHIM, Output Shaft, 5.06 - 5.08mm
-52	04641429	AR	C, D, P		53				SHIM, Output Shaft, 5.09 - 5.11mm
-53	04641430	AR	C, D, P		53				SHIM, Output Shaft, 5.12 - 5.14mm
-54	04641431	AR	C, D, P		53				SHIM, Output Shaft, 5.15 - 5.17mm

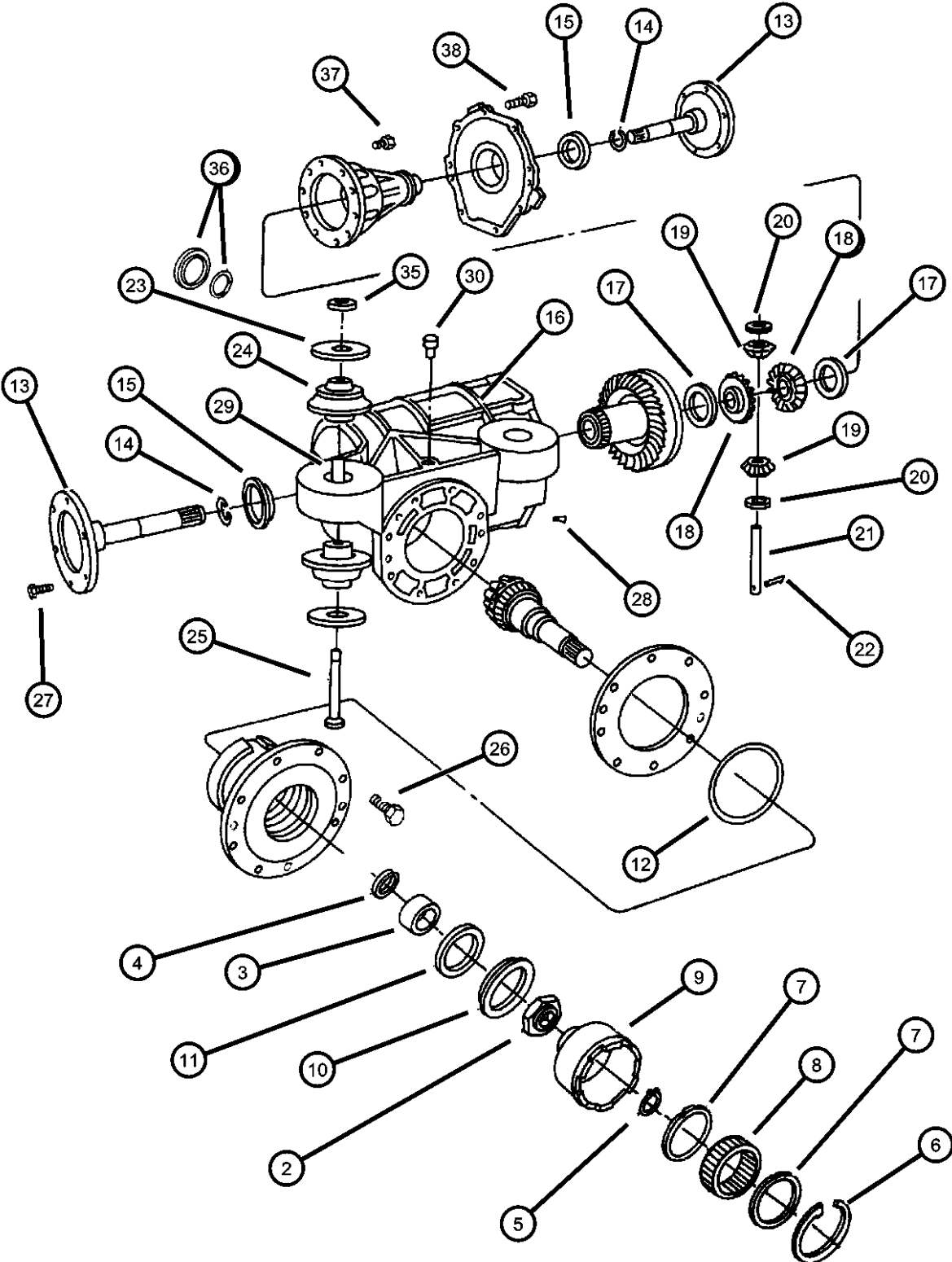
CARAVAN, VOYAGER, TOWN AND COUNTRY (NS)

SERIES	LINE	BODY	ENGINE	TRANSMISSION
L = Base	C = CHRYSLER, AWD	53 = 119.3 Long Wheelbase	E98 = Electric Motor	DAC = Single Speed Transmission
H = LX, SE	D = DODGE, AWD	52 = 113.3 Short Wheelbase	EDZ = 2.4L 4 Cyl DOHC 16V SMPI Engine	DGC = 3-Speed Automatic Transmission
P = LXI, LE	P = PLYMOUTH, AWD		EFA = 3.0L V6 SMPI Engine	DGL = 4-Speed Automatic Transmission
S = Limited	K = DODGE, FWD		EGA = 3.3L V6 OHV Engine	DGM = 3-Spd. Automatic 31TH Transmission
X = ES	Y = CHRYSLER, FWD		EGH = 3.8L V6 OHV Engine	DGO = All Automatic Transmissions
	H = PLYMOUTH, FWD		EGM = ENGINE - 3.3L V6 SMPI FFV	
			EGP = 3.3L V6 CNG Engine	

AR = use ase required - = Non illustrated part

Differential, Rear Awd

Figure 3-115



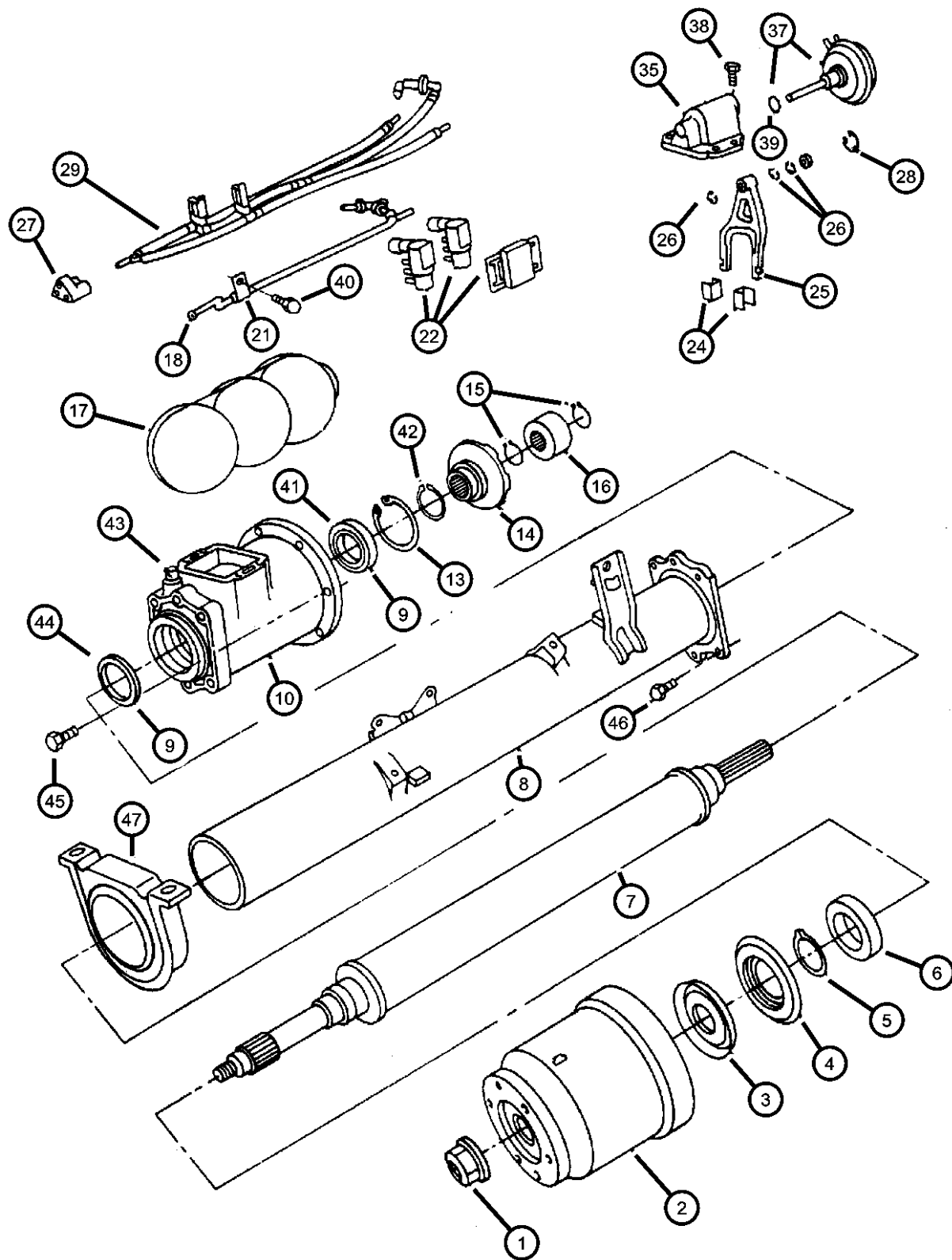
ITEM	PART NUMBER	QTY	LINE	SERIES	BODY	ENGINE	TRANS	TRIM	DESCRIPTION
-55	04641432	AR	C, D, P		53				SHIM, Output Shaft, 5.18 - 5.20mm
-56	04641433	AR	C, D, P		53				SHIM, Output Shaft, 5.21 - 5.23mm
-57	04641434	AR	C, D, P		53				SHIM, Output Shaft, 5.24 - 5.26mm
-58	04641435	AR	C, D, P		53				SHIM, Output Shaft, 5.27 - 5.29mm
-59	04641436	AR	C, D, P		53				SHIM, Output Shaft, 5.30 - 5.35mm
-60	04641437	AR	C, D, P		53				SHIM, Output Shaft, 5.33 - 5.35mm
-61	04641438	AR	C, D, P		53				SHIM, Output Shaft, 5.36 - 5.38mm
-62	04641439	AR	C, D, P		53				SHIM, Output Shaft, 5.39 - 5.41mm
-63	04641440	AR	C, D, P		53				SHIM, Output Shaft, 5.42 - 5.44mm
-64	04641441	AR	C, D, P		53				SHIM, Output Shaft, 5.45 - 5.47mm
-65	04641442	AR	C, D, P		53				SHIM, Output Shaft, 5.48 - 5.50mm
-66	04641443	AR	C, D, P		53				SHIM, Output Shaft, 5.51 - 5.53mm
-67	04641444	AR	C, D, P		53				SHIM, Output Shaft, 5.54 - 5.56mm
-68	04641445	AR	C, D, P		53				SHIM, Output Shaft, 5.57 - 5.59mm
-69	04641446	AR	C, D, P		53				SHIM, Output Shaft, 5.60 - 5.62mm
-70	04641447	AR	C, D, P		53				SHIM, Output Shaft, 5.63 - 5.65mm
-71	04641448	AR	C, D, P		53				SHIM, Output Shaft, 5.66 - 5.68mm
-72	04641449	AR	C, D, P		53				SHIM, Output Shaft, 5.69 - 5.71mm
-73	04412016	AR	C, D, P		53				THRUST WASHER, Differential, .051-.053
-74	04412017	AR	C, D, P		53				THRUST WASHER, Differential, .056-.058

CARAVAN, VOYAGER, TOWN AND COUNTRY (NS)

SERIES	LINE	BODY	ENGINE	TRANSMISSION
L = Base	C = CHRYSLER, AWD	53 = 119.3 Long Wheelbase	E98 = Electric Motor	DAC = Single Speed Transmission
H = LX, SE	D = DODGE, AWD	52 = 113.3 Short Wheelbase	EDZ = 2.4L 4 Cyl DOHC 16V SMPI Engine	DGC = 3-Speed Automatic Transmission
P = LXI, LE	P = PLYMOUTH, AWD		EFA = 3.0L V6 SMPI Engine	DGL = 4-Speed Automatic Transmission
S = Limited	K = DODGE, FWD		EGA = 3.3L V6 OHV Engine	DGM = 3-Spd. Automatic 31TH Transmission
X = ES	Y = CHRYSLER, FWD		EGH = 3.8L V6 OHV Engine	DG0 = All Automatic Transmissions
	H = PLYMOUTH, FWD		EGM = ENGINE - 3.3L V6 SMPI FFV	
			EGP = 3.3L V6 CNG Engine	

AR = use ase required - = Non illustrated part

Torque Tube Assembly Awd
Figure 3-130



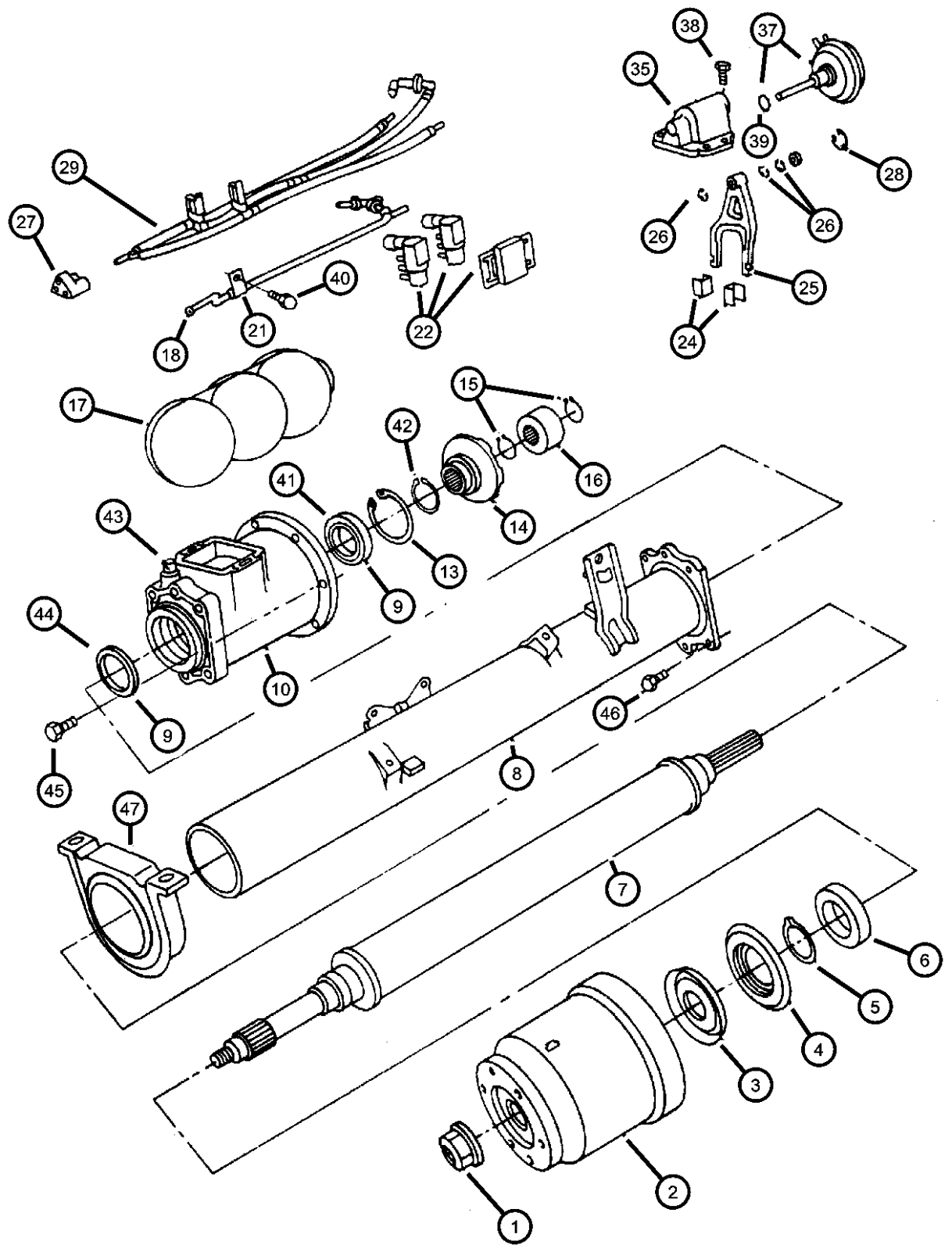
ITEM	PART NUMBER	QTY	LINE	SERIES	BODY	ENGINE	TRANS	TRIM	DESCRIPTION
1	04518903	1	C, D, P		53				NUT, Hex Flange Lock, M16x1.5, Viscous Coupling to Torque Shaft
2	04736325	1	C, D, P		53				VISCOUS COUPLING
3	04641756	1	C, D, P		53				PLATE, Transmission Module, GUARD Viscous Coupling
4	04641578	1	C, D, P		53				SHIELD, Bearing, Torque tube
5	04518551	1	C, D, P		53				RETAINING RING, Bearing
6	04486164	1	C, D, P		53				BEARING, Viscous Coupling, Torque Shaft Stub VCU End
7	04641630	1	C, D, P		53				SHAFT, Torque
8	04641810	1	C, D, P		53				TUBE, Torque, (Aluminum)
9	04637106	1	C		53				BEARING PACKAGE, Torque Shaft
10	04641222	1	C, D, P		53				CASE, Overrunning Clutch
-11	06035417	1							PLUG, Oil Drain, Filler (Side Case-Over Running Clutch)
-12	06032145	1	C, D, P		53				GASKET, Drain Plug, Flat (Drain Plug Cover Fill Plug)
13	04486166	1	C, D, P		53				SNAP RING, ORC Bearing Retaining
14	04518945	1	C, D, P		53				CLUTCH, Torque Tube, ORC Dog
15	04486755	2	C		53				SNAP RING, ORC Race
16	04518944	1	C, D, P		53				RACE, Overrunning Clutch, ORC Inner
17	04518804	1	C, D, P		53				RESERVOIR, Vacuum, ORC
18	04641644	1	C, D, P		53				TUBE, Rear Axle Vacuum, ORC Rear Main Vacuum, Steel
-19	04641532	1	C, D, P		53				HARNESSE, Overrunning Clutch Vacuum, ORC Rear Main Vac (w/Vent and Tube Assy)
-20	04641005	1	C, D, P		53				CLAMP, Hose, Tube ORC Rear Main Vac
21	02207919	2	C, D, P		53				CLIP, Parking Brake Cable, Rear Main Vac to Torque Tube
22	05234219	1	C, D, P		53				SOLENOID, Overrunning Clutch, Vacuum - Dual
-23	05227034	1	C, D, P		53				BRACKET, Vacuum Solenoid, Dual Vac Sol
24	04338589	2	C, D, P		53				PAD, Shift Fork
25	04518939	1	C, D, P		53				FORK PACKAGE, Overrunning Clutch, Shift

CARAVAN, VOYAGER, TOWN AND COUNTRY (NS)

SERIES	LINE	BODY	ENGINE	TRANSMISSION
L = Base	C = CHRYSLER, AWD	53 = 119.3 Long Wheelbase	E98 = Electric Motor	DAC = Single Speed Transmission
H = LX, SE	D = DODGE, AWD	52 = 113.3 Short Wheelbase	EDZ = 2.4L 4 Cyl DOHC 16V SMPI Engine	DGC = 3-Speed Automatic Transmission
P = LXI, LE	P = PLYMOUTH, AWD		EFA = 3.0L V6 SMPI Engine	DGL = 4-Speed Automatic Transmission
S = Limited	K = DODGE, FWD		EGA = 3.3L V6 OHV Engine	DGM = 3-Speed. Automatic 31TH Transmission
X = ES	Y = CHRYSLER, FWD		EGH = 3.8L V6 OHV Engine	DGP = All Automatic Transmissions
	H = PLYMOUTH, FWD		EGM = ENGINE - 3.3L V6 SMPI FFV	
			EGP = 3.3L V6 CNG Engine	

AR = use ase required - = Non illustrated part

Torque Tube Assembly Awd
Figure 3-130



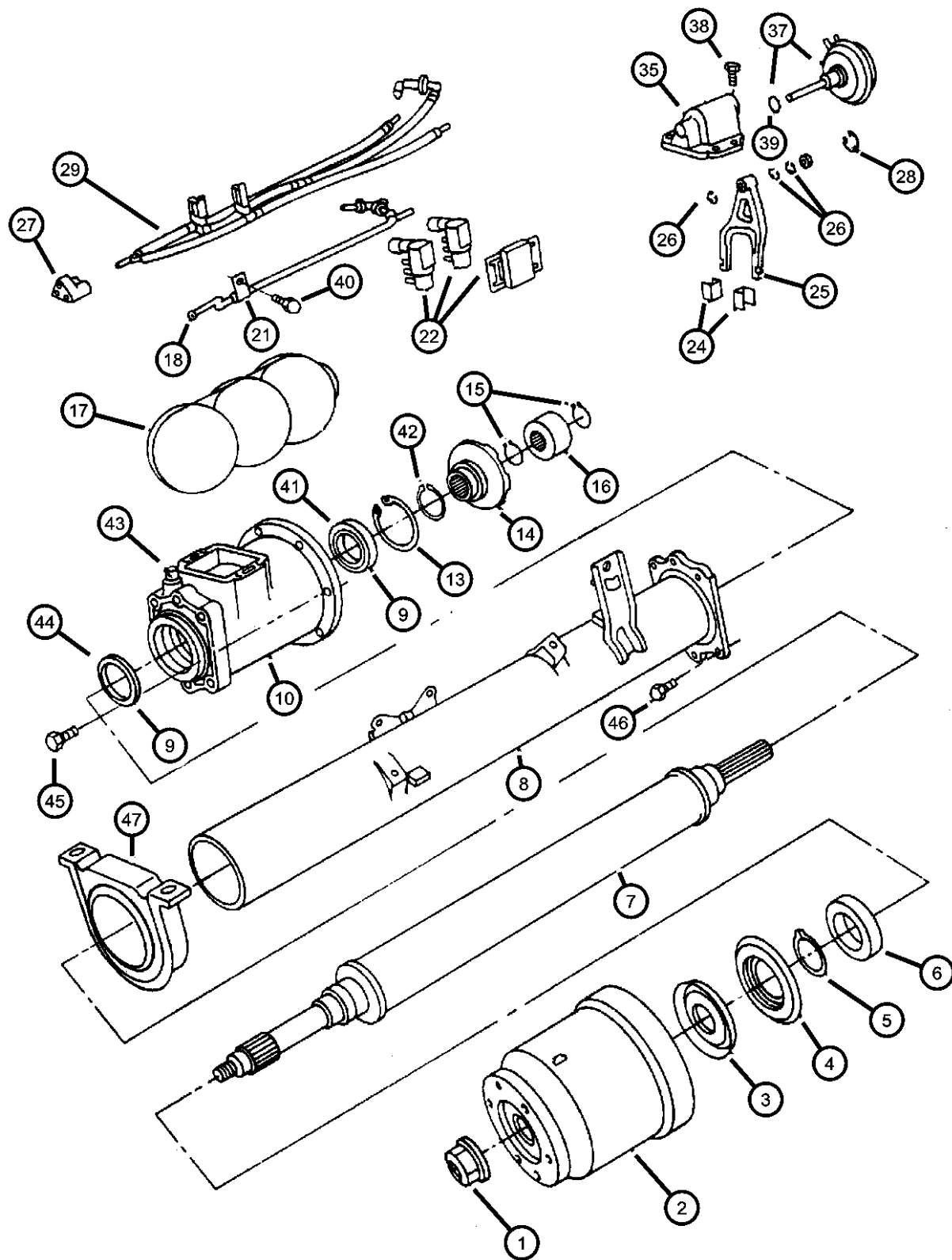
ITEM	PART NUMBER	QTY	LINE	SERIES	BODY	ENGINE	TRANS	TRIM	DESCRIPTION
26	06023878	2	C, D, P		53				SNAP RING, .302 ID .66 OD
27	04431325	1	C, D, P		53				CONNECTOR, Front Axle Vacuum Harness, Tube Reservoir to Solenoid Vac.
28	06023879	1	C, D, P		53				SNAP RING, Vacuum Motor, Retainer ID=.483 OD=.94 THK=.044
29	04641532	1	C, D, P		53				HARNES, Overrunning Clutch Vacuum, Rear Main
-30	04641573	1	C, D, P		53				HOSE, Vacuum, 3/16" Roll Stock, Vacuum Front Main Harness ***
-31	04518881	2	C, D, P		53				SLEEVE, Tubing Cover, Vac Tube over Running Clutch
-32	04100727	1	C, D, P		53				CONNECTOR, Manifold Vacuum, (4641712,4641713)
-33	04641015	2	C, D, P		53				CLAMP, Hose, Aluminum, (4641712,4641713)
-34	03671410	1	C, D, P		53				TEE, Washer Hose, 3/16 (4641712)
35	04641223	1	C, D, P		53				HOUSING, Overrunning Actuator, ORC Shift Fork
-36	06023878	2	C, D, P		53				SNAP RING, .302 ID .66 OD, E-Ring Cover ORC Shift Fork
37	04641566	1	C, D, P		53				MOTOR, Axle Vacuum
38	06100166	4	C, D, P		53				BOLT, Hex Head, M10x25
39	04641017	1	C, D, P		53				O RING, Vacuum Motor
40	06503472	1	C, D, P		53				SCREW, Self Tapping, M6x1x17
41	04637106	1	C		53				BEARING PACKAGE, Torque Shaft
42	04518551	1	C, D, P		53				RETAINING RING, Bearing, w/4 Tabs
43	04641532	1	C, D, P		53				HARNES, Overrunning Clutch Vacuum, Case Over Running Clutch
44	04641532	1							SEAL, [See Item #41], (NOT SERVICED)
45	04641532	1							SCREW, (NOT SERVICED)
46	06504171	5							SCREW, Hex Flange Head, M8x1.25x32, Torque Tube to Case
47	04486317	1	C, D, P		53				BRACKET, Torque Shaft
-48	04641715	1	C, D, P		53				CLIP, Actuation Tube, (ORC)

CARAVAN, VOYAGER, TOWN AND COUNTRY (NS)

SERIES	LINE	BODY	ENGINE	TRANSMISSION
L = Base	C = CHRYSLER, AWD	53 = 119.3 Long Wheelbase	E98 = Electric Motor	DAC = Single Speed Transmission
H = LX, SE	D = DODGE, AWD	52 = 113.3 Short Wheelbase	EDZ = 2.4L 4 Cyl DOHC 16V SMPI Engine	DGC = 3-Speed Automatic Transmission
P = LXI, LE	P = PLYMOUTH, AWD		EFA = 3.0L V6 SMPI Engine	DGL = 4-Speed Automatic Transmission
S = Limited	K = DODGE, FWD		EGA = 3.3L V6 OHV Engine	DGM = 3-Speed. Automatic 31TH Transmission
X = ES	Y = CHRYSLER, FWD		EGH = 3.8L V6 OHV Engine	DGO = All Automatic Transmissions
	H = PLYMOUTH, FWD		EGM = ENGINE - 3.3L V6 SMPI FFV	
			EGP = 3.3L V6 CNG Engine	

AR = use ase required - = Non illustrated part

Torque Tube Assembly Awd
Figure 3-130



ITEM	PART NUMBER	QTY	LINE	SERIES	BODY	ENGINE	TRANS	TRIM	DESCRIPTION
-49	04518887	1	C, D, P		53				TUBE, Rear Axle Vent Solenoid, (Rubber)
-50	04641708	1	C, D, P		53				VENT, Rear Axle Overrunning Clutch, Over Runing Clutch
-51	04518591	2	C, D, P		53				TUBE, Vacuum, Rubber Vent
-52	06501586	8	C		53				SCREW, Hex Flange Head, ORC Case to Frt Carrier Cvr M8x1.25x40.00
-53	04486165	1	C, D, P		53				RETAINING RING, Bearing, 1.80, w/o Tabs
-54	04518943	7	C, D, P		53				CLIP, Tube To Crossmember, 1 Way
-55	04458158	1	C, D, P		53				FILTER, Vacuum Solenoid
-56	04458158	1							CONNECTOR, [In Line Vet (Service in Assy)], (NOT SERVICED)
-57	04641015	2	C, D, P		53				CLAMP, Hose, Aluminum, Keystone
-58	04641008	1	C, D, P		53				CLAMP, Hose Steel Keystone

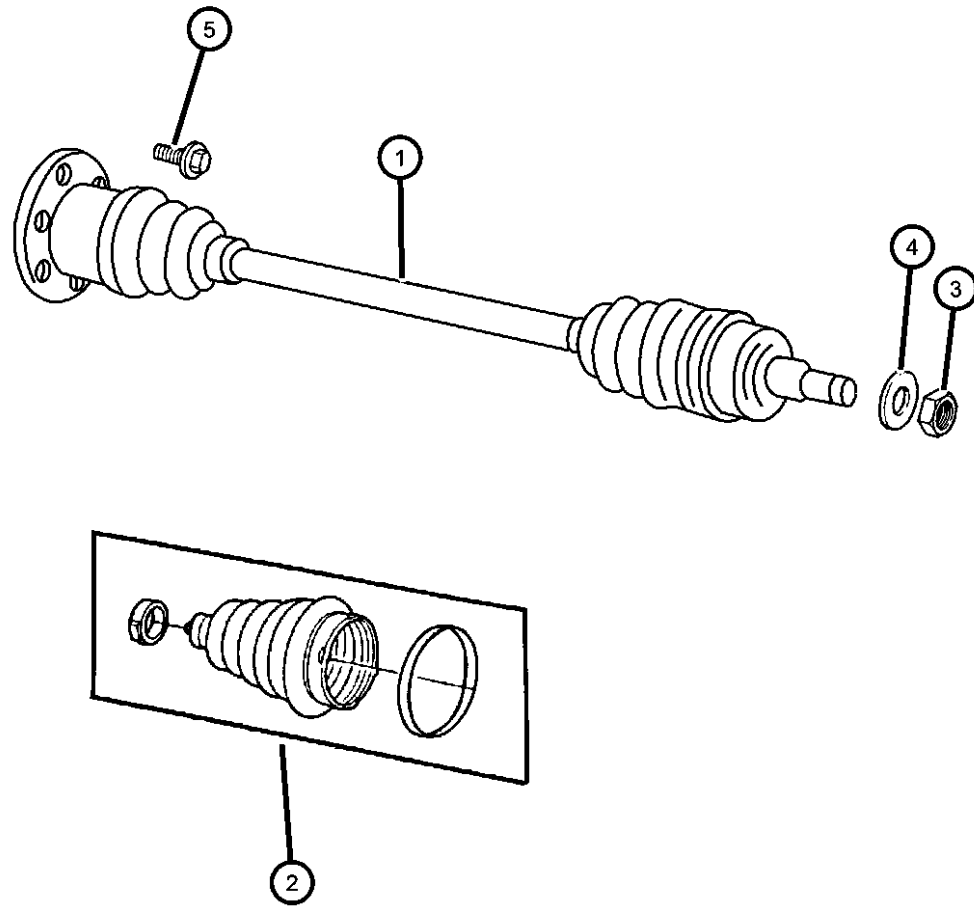
CARAVAN, VOYAGER, TOWN AND COUNTRY (NS)

SERIES	LINE	BODY	ENGINE	TRANSMISSION
L = Base	C = CHRYSLER, AWD	53 = 119.3 Long Wheelbase	E98 = Electric Motor	DAC = Single Speed Transmission
H = LX, SE	D = DODGE, AWD	52 = 113.3 Short Wheelbase	EDZ = 2.4L 4 Cyl DOHC 16V SMPI Engine	DGC = 3-Speed Automatic Transmission
P = LXI, LE	P = PLYMOUTH, AWD		EFA = 3.0L V6 SMPI Engine	DGL = 4-Speed Automatic Transmission
S = Limited	K = DODGE, FWD		EGA = 3.3L V6 OHV Engine	DGM = 3-Spd. Automatic 31TH Transmission
X = ES	Y = CHRYSLER, FWD		EGH = 3.8L V6 OHV Engine	DG0 = All Automatic Transmissions
	H = PLYMOUTH, FWD		EGM = ENGINE - 3.3L V6 SMPI FFV	
			EGP = 3.3L V6 CNG Engine	

AR = use ase required - = Non illustrated part

Shaft, Rear Axle Awd
Figure 3-420

ITEM	PART NUMBER	QTY	LINE	SERIES	BODY	ENGINE	TRANS	TRIM	DESCRIPTION
1	04660588 R2073718	2	C, D, P		53				SHAFT, Axle Half, Complete Mopar Remanufactured Part
2	04641245 R2826559	2	C, D, P		53				BOOT KIT, Half Shaft Mopar Remanufactured Part
3	06500298	4	C, D, P		53				NUT, Hub, M22x1.5
4	06503352	4	C, D, P		53				WASHER, Flat, M23x38.0x405
5	06502350	12	C, D, P		53				BOLT, Hex Flange Head, M10x1.50x25, Axle Shaft to Output Shaft



CARAVAN, VOYAGER, TOWN AND COUNTRY (NS)

SERIES	LINE	BODY	ENGINE	TRANSMISSION
L = Base	C = CHRYSLER, AWD	53 = 119.3 Long Wheelbase	E98 = Electric Motor	DAC = Single Speed Transmission
H = LX, SE	D = DODGE, AWD	52 = 113.3 Short Wheelbase	EDZ = 2.4L 4 Cyl DOHC 16V SMPI Engine	DGC = 3-Speed Automatic Transmission
P = LXI, LE	P = PLYMOUTH, AWD		EFA = 3.0L V6 SMPI Engine	DGL = 4-Speed Automatic Transmission
S = Limited	K = DODGE, FWD		EGA = 3.3L V6 OHV Engine	DGM = 3-Spd. Automatic 31TH Transmission
X = ES	Y = CHRYSLER, FWD		EGH = 3.8L V6 OHV Engine	DG0 = All Automatic Transmissions
	H = PLYMOUTH, FWD		EGM = ENGINE - 3.3L V6 SMPI FFV	
			EGP = 3.3L V6 CNG Engine	

AR = use ase required - = Non illustrated part

Group - 4

Parking Brake

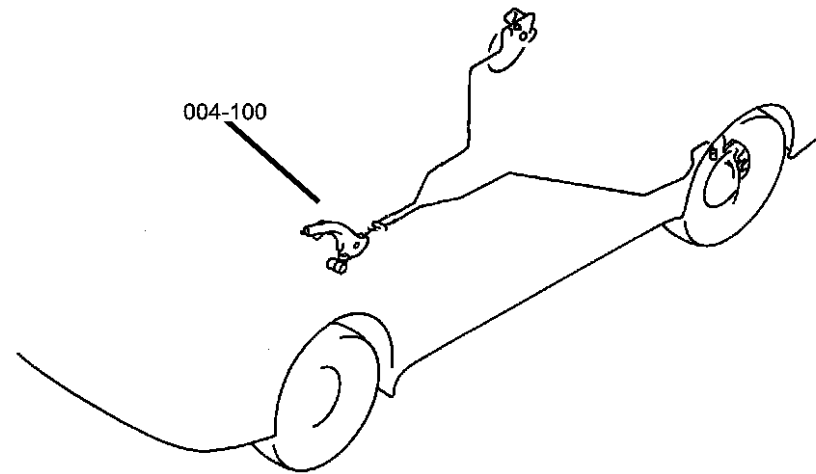
Group - 4 Parking Brake

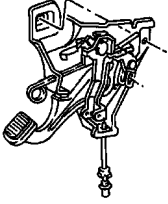
Group-Fig. No.

Illustration Title

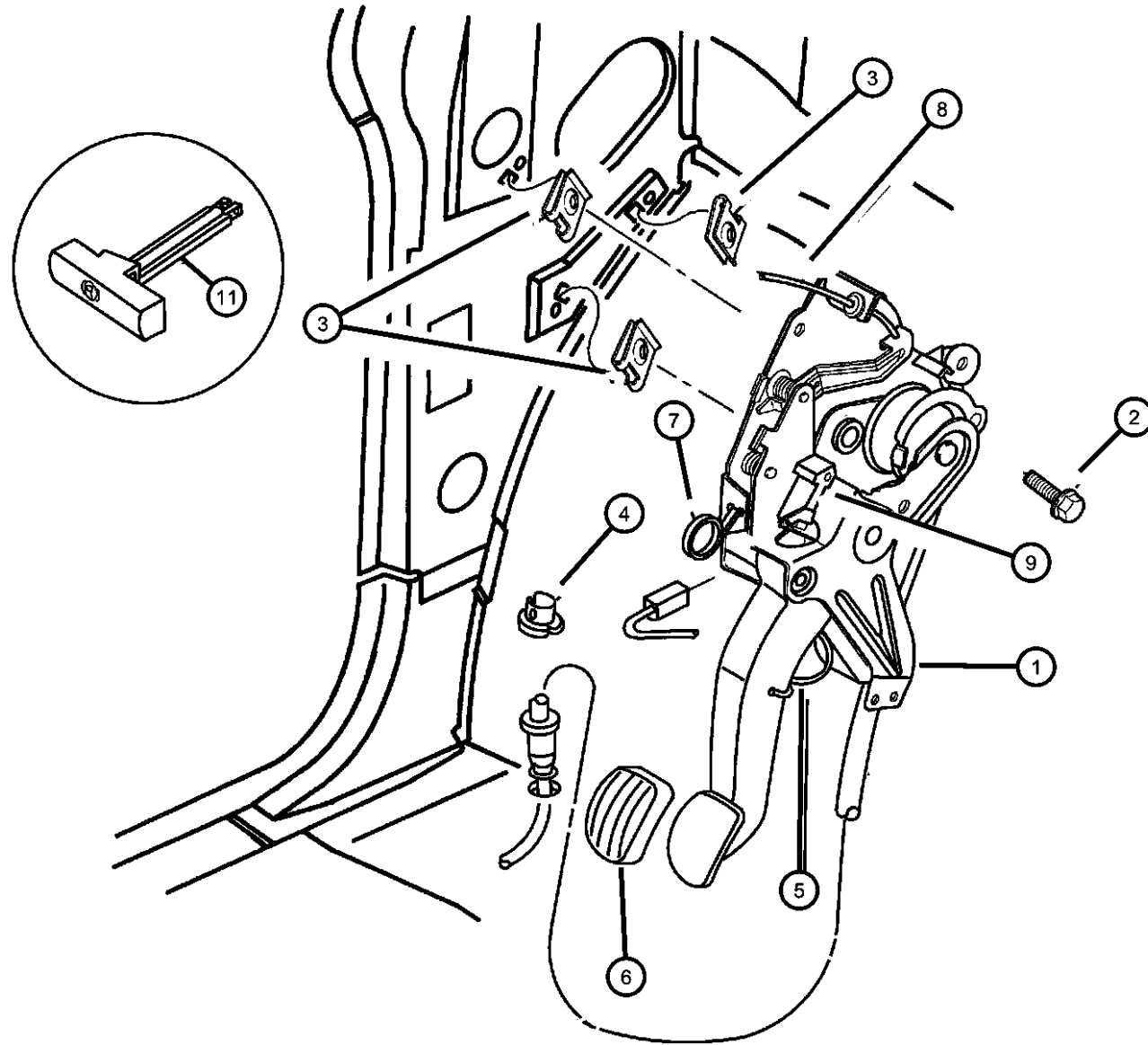
Parking Brake Lever and Cables

Lever, Parking Brake.....	Fig. 4 - 142
Cables, Parking Brake.....	Fig. 4 - 147



<p>004-100 Parking Brake Lever and Cables</p> 			
--	--	--	--

Lever, Parking Brake
Figure 4-142



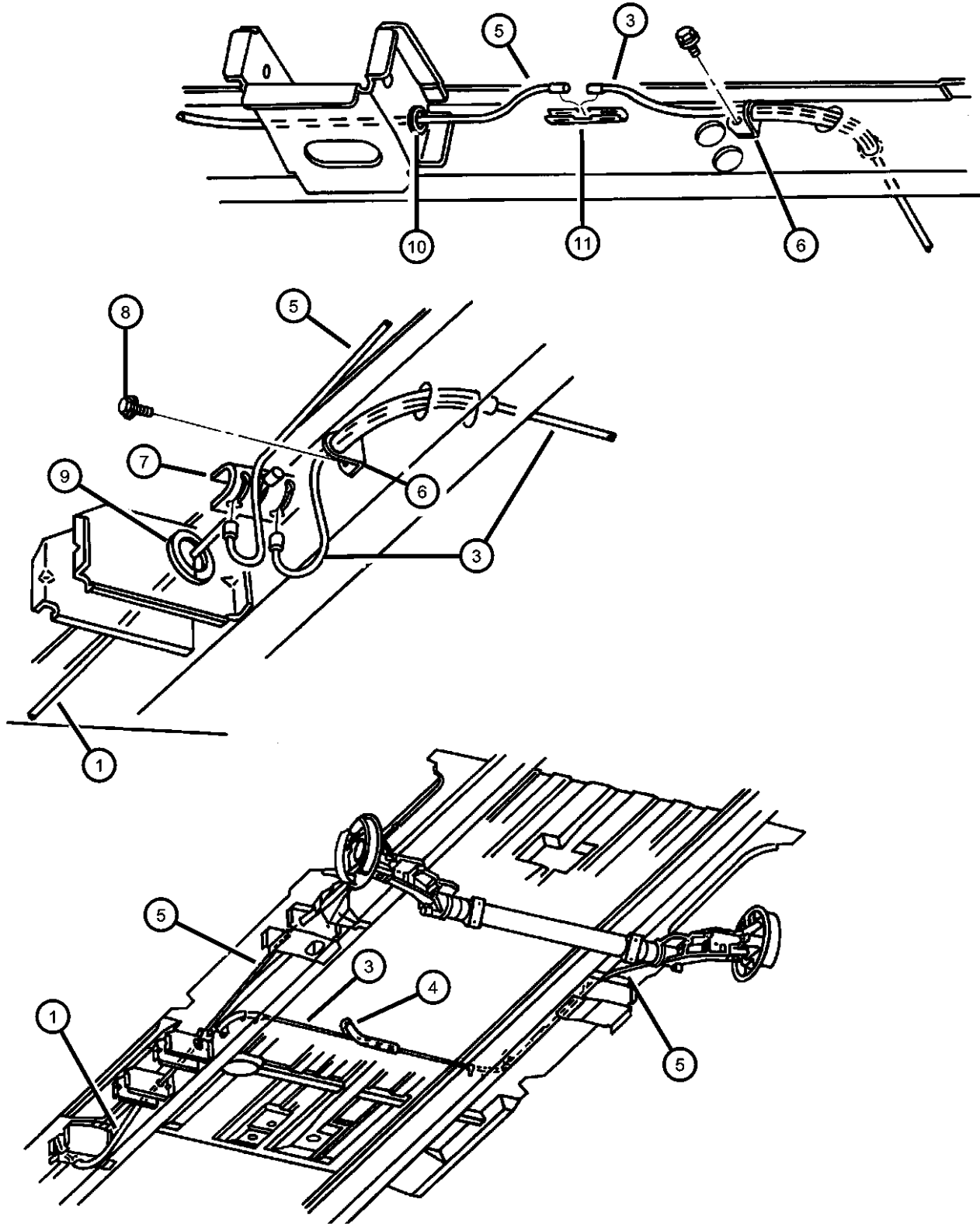
ITEM	PART NUMBER	QTY	LINE	SERIES	BODY	ENGINE	TRANS	TRIM	DESCRIPTION
1	04683277	1							LEVER, Park Brake
2	06504126	3							SCREW AND WASHER, Pan Head, M8x1.25x40.00
3	06101283	3							U-NUT, M8x1.25, Multi THD Parking Brake Lever Mount
4	04683544	1							RETAINER, Parking Brake Cable
5	04683544	1							PIN, Auto Adjuster Lockout, (NOT SERVICED)
6	04683478	1							PAD, Parking Brake Lever
7	04683478	1							TAB, Thumb, Lockout Pawl, (NOT SERVICED)
8	04683282	1							CABLE, Parking Brake Release, Up to 10-16-96
9	04685395	1							SWITCH, Parking Brake
-10	00154553	1							SCREW, Hex Head, .19-16x1, Switch Mount
11									HANDLE, Parking Brake
	0HV18SC3	1							(Iris Blue/Cirrus Mist Gray) Up to 10-16-96
	0HV18SJK	1							(Med or Dark Silverfern) Up to 10-16-96
	0HV18SK5	1							(Dark Taupe) Up to 10-16-96
	0HV18RC3AB	1							(Iris Blue/Cirrus Mist Gray)After 10-16-96
	0HV18RJKAB	1							(Med or Dark Silverfern) After 10-16-96
	0HV18RK5AB	1							(Dark Taupe) After 10-16-96
-12	06032723	1							SCREW, Self Tapping, M4.2x1.69x19.05, I/P Park Brake Rel Handle to I/Pnl .164-15x.750
-13	06503792	10							SCREW AND WASHER, Hex Head, M8-1.25x32.00, Parking Brake Lever Mount
-14	04683282AB	1							CABLE, Parking Brake, After 10-16-96

CARAVAN, VOYAGER, TOWN AND COUNTRY (NS)

SERIES	LINE	BODY	ENGINE	TRANSMISSION
L = Base	C = CHRYSLER, AWD	53 = 119.3 Long Wheelbase	E98 = Electric Motor	DAC = Single Speed Transmission
H = LX, SE	D = DODGE, AWD	52 = 113.3 Short Wheelbase	EDZ = 2.4L 4 Cyl DOHC 16V SMPI Engine	DGC = 3-Speed Automatic Transmission
P = LXI, LE	P = PLYMOUTH, AWD		EFA = 3.0L V6 SMPI Engine	DGL = 4-Speed Automatic Transmission
S = Limited	K = DODGE, FWD		EGA = 3.3L V6 OHV Engine	DGM = 3-Spd. Automatic 31TH Transmission
X = ES	Y = CHRYSLER, FWD		EGH = 3.8L V6 OHV Engine	DG0 = All Automatic Transmissions
	H = PLYMOUTH, FWD		EGM = ENGINE - 3.3L V6 SMPI FFV	
			EGP = 3.3L V6 CNG Engine	

AR = use ase required - = Non illustrated part

**Cables, Parking Brake
Figure 4-147**



ITEM	PART NUMBER	QTY	LINE	SERIES	BODY	ENGINE	TRANS	TRIM	DESCRIPTION
1	04683285	1							CABLE, Parking Brake, Front Parking Brake
-2	04446981	1							GROMMET, Cable, Cable to Dash
3	04683286	1							CABLE, Parking Brake, Intermediate
4	04683579	1							CUSHION, Intermediate Cable
5									CABLE, Parking Brake
	04683298	1	H, K, Y		52				(Drum), Right
	04683299	1	H, K, Y		52				(Drum), Left
	04683300	1	H, K, Y		53				(Drum), Right
	04683301	1	H, K, Y		53				(Drum), Left
	04721026	1	C, D, P		53				(Disc), Right
	04721027	1	C, D, P		53				(Disc), Left
6	04683496	2							GUIDE, Parking Brake Cable
7	04683287	1							EQUALIZER, Parking Brake Cable
8	04683287	1							SCREW, Cable Guide .312-18x.750, (NOT SERVICED)
9	04683580	1							GROMMET, Parking Brake Cable, Front Cable
10	04683581	1							GROMMET, Parking Brake Cable, Rear Cable
11	03766234	1							CONNECTOR, Intermediate to Rear

CARAVAN, VOYAGER, TOWN AND COUNTRY (NS)

SERIES	LINE	BODY	ENGINE	TRANSMISSION
L = Base	C = CHRYSLER, AWD	53 = 119.3 Long Wheelbase	E98 = Electric Motor	DAC = Single Speed Transmission
H = LX, SE	D = DODGE, AWD	52 = 113.3 Short Wheelbase	EDZ = 2.4L 4 Cyl DOHC 16V SMPI Engine	DGC = 3-Speed Automatic Transmission
P = LXI, LE	P = PLYMOUTH, AWD		EFA = 3.0L V6 SMPI Engine	DGL = 4-Speed Automatic Transmission
S = Limited	K = DODGE, FWD		EGA = 3.3L V6 OHV Engine	DGM = 3-Spd. Automatic 31TH Transmission
X = ES	Y = CHRYSLER, FWD		EGH = 3.8L V6 OHV Engine	DG0 = All Automatic Transmissions
	H = PLYMOUTH, FWD		EGM = ENGINE - 3.3L V6 SMPI FFV	
			EGP = 3.3L V6 CNG Engine	

AR = use ase required - = Non illustrated part

Group - 5

Service Brakes

Group - 5 Service Brakes

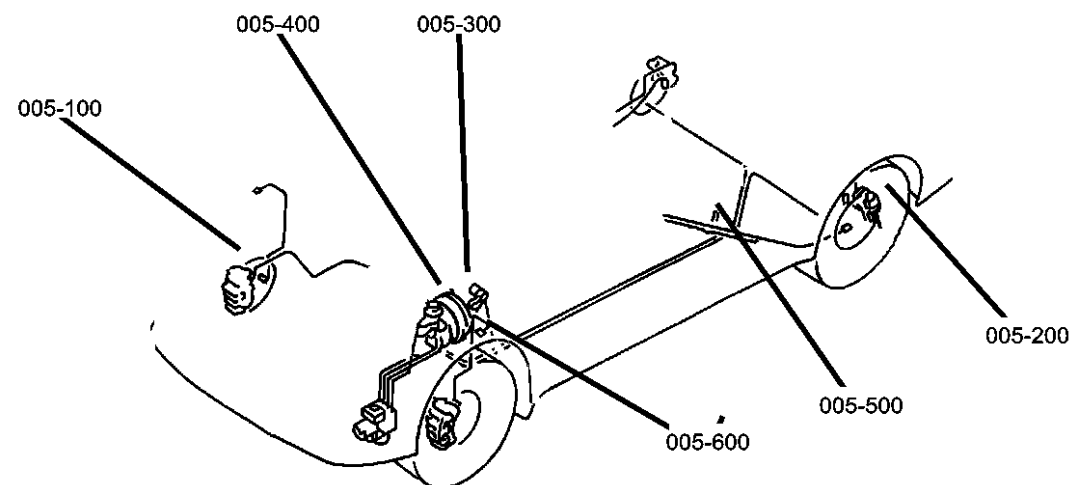


Illustration Title

Group-Fig. No.

Front Brakes

Brakes, Front Fig. 5 - 110

Rear Brakes

Brakes, Rear Drum Fig. 5 - 232

Brakes, Rear Disc Fig. 5 - 240

Power Brake Booster

Booster, Power Brake Fig. 5 - 343

Brake Master Cylinder

Master Cylinder Fig. 5 - 416

Anti-lock Brake Control Fig. 5 - 431

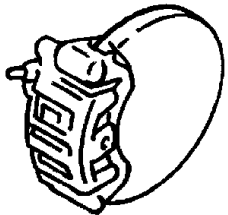
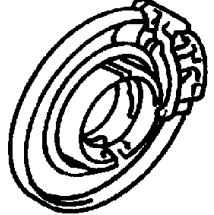
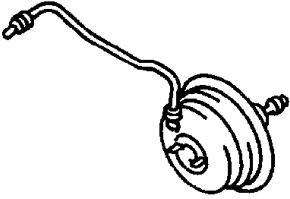
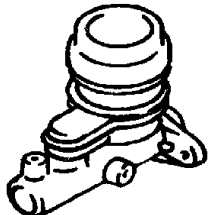
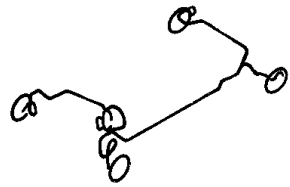
Brake Lines and Hoses

Lines And Hoses, Brake (1 Of 2) Fig. 5 - 561

Lines And Hoses, Brake (2 Of 2) Fig. 5 - 565

Brake Pedals

Pedal, Brake Fig. 5 - 645

<p>005-100 Front Brakes</p> 	<p>005-200 Rear Brakes</p> 	<p>005-300 Power Brake Booster</p> 	<p>005-400 Brake Master Cylinder</p> 
<p>005-500 Brake Lines and Hoses</p> 	<p>005-600 Brake Pedals</p> 