

VIN PLATE DECODING INFORMATION

1	2	3	4	5	6	7	8	9	10	11	12 thru 17
Country	Make	Vehicle Type	Other	Line	Series	Body Style	Engine	Check Digit	Model Year	Assy. Plant	Sequence No.

The following table interprets the VIN Plate position shown above.

Position	Interpretation	Codes = Description
1	Country of Origin	1 = DaimlerChrysler Corporation
2	Assembler	C = Chrysler
3	Vehicle Type	3 = Passenger
4	GVWR & Pass. Safety	E = Restraint System Active Driver & Passenger Air Bags (CGW) A = Restraint System Active Front & Side Air Bags (CGS) B = Restraint System Manual/Active Uni-belt (CGA) D = Restraint System w/o Air Bags (CGJ)
5	Vehicle Line	N = Crossfire (RWD) (LHD) U.S., Canada, Mexico, BUX P = Crossfire (RWD) (RHD) BUX
6	Series	5 = Crossfire Roadster C-P-27 U.S., Canada 5 = Crossfire Roadster C-P-27 BUX Less Sales Code ABB * = Crossfire Roadster C-P-27 BUX With Sales Code ABB 5 = Crossfire Coupe C-P-29 U.S., Canada 5 = Crossfire Coupe C-P-29 BUX Less Sales Code ABB * = Crossfire Coupe C-P-29 BUX With Sales Code ABB 5 = Crossfire Roadster Z-P-27 BUX Less Sales Code ABB * = Crossfire Roadster Z-P-27 BUX With Sales Code ABB 5 = Crossfire Coupe Z-P-29 BUX Less Sales Code ABB * = Crossfire Coupe Z-P-29 BUX With Sales Code ABB 6 = Crossfire Limited Roadster C-S-27 U.S., Canada, Mexico 6 = Crossfire Limited Roadster C-S-27 BUX Less Sales Code ABB * = Crossfire Limited Roadster C-S-27 BUX With Sales Code ABB 6 = Crossfire Limited Coupe C-S-29 U.S., Canada, Mexico 6 = Crossfire Limited Coupe C-S-29 BUX Less Sales Code ABB * = Crossfire Limited Coupe C-S-29 BUX With Sales Code ABB 6 = Crossfire Limited Roadster Z-S-27 BUX Less Sales Code ABB * = Crossfire Limited Roadster Z-S-27 BUX With Sales Code ABB 6 = Crossfire Limited Coupe Z-S-29 BUX Less Sales Code ABB * = Crossfire Limited Coupe Z-S-29 BUX With Sales Code ABB
7	Body Style	5 = 2DR Convertible Body Style - 27 9 = 2DR Specialty Coupe Body Style - 29
8	Engine	L = 3.2L V6 CYL 18V SOHC Gasoline (EGX)
9	Check Digit	0 = Check Digit
10	Model Year	8 = 2008 Model Year
11	Assembly Plant	X = Osnabrueck Assembly
12 thru 17	Vehicle Build Sequence	Model Year Assembly Sequence

Group - 2

Front Suspension

Group - 2 Front Suspension

Illustration Title

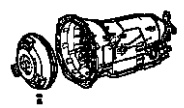
Group-Fig. No.

Front Suspension, Strut and Cradle

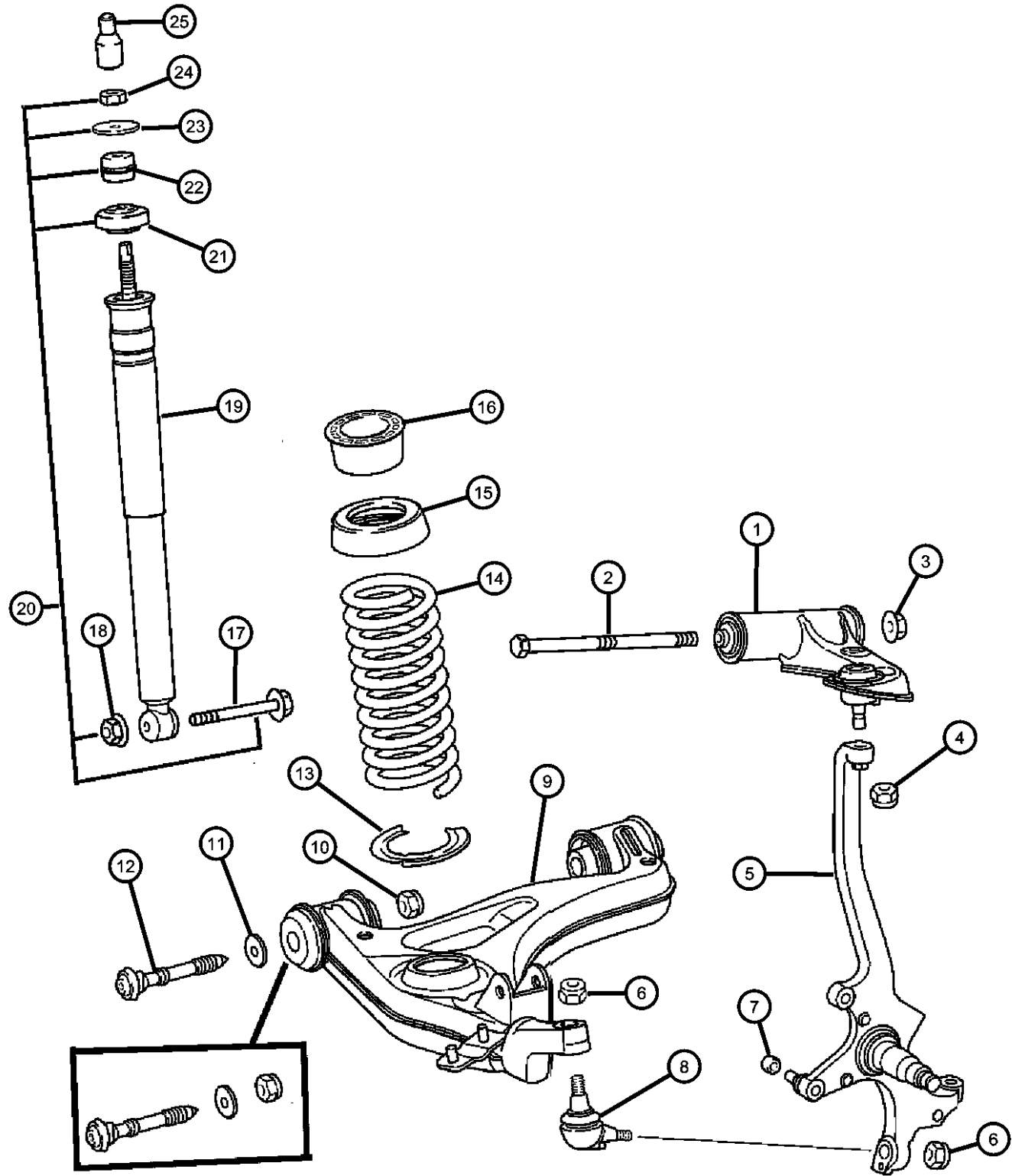
Suspension, Front..... Fig. 2 - 105

Front Stabilizer Bar

Stabilizer Bar, Front..... Fig. 2 - 205

<p>002-100 Front Suspension, Strut and Cradle</p> 	<p>002-200 Front Stabilizer Bar</p>		
--	--	--	--

Suspension, Front
Figure 2-105



ITEM	PART NUMBER	QTY	LINE	SERIES	BODY	ENGINE	TRANS	TRIM	DESCRIPTION
	05099899AA	1	C, Z		29	EGX	DED, DGU		Right
	05097586AA	1	C, Z		27	EGX	DED, DGU		Right
10									NUT, Hex
	05097586AA	2	C, Z		29	EGX	DED, DGU		
		2	C, Z		27	EGX	DED, DGU		
11									WASHER
	05099736AA	2	C, Z		29	EGX	DED, DGU		
		2	C, Z		27	EGX	DED, DGU		
12									SCREW
	05097558AA	2	C, Z		29	EGX	DED, DGU		
		2	C, Z		27	EGX	DED, DGU		
13									ISOLATOR, Spring
	05102305AA	2	C, Z		29	EGX	DED, DGU		
		2	C, Z		27	EGX	DED, DGU		
14									SPRING, Front Coil
	05135480AA	2	C, Z		29	EGX	DED, DGU		
		2	C, Z		27	EGX	DED, DGU		
15									ISOLATOR, Spring
	05102305AA	2	C, Z		29	EGX	DED, DGU		
		2	C, Z		27	EGX	DED, DGU		
16									SUPPORT, Shock Absorber
	05099176AA	2	C, Z		29	EGX	DED, DGU		
		2	C, Z		27	EGX	DED, DGU		
17	06104022AB	1	C, Z		27, 29	EGX	DED, DGU		SCREW
18									NUT, Hex Flange Lock, M8X1.25
	06104716AA	4	Z, C		29	EGX	DED, DGU		
		4	C, Z		27	EGX	DED, DGU		
19									SHOCK ABSORBER, Suspension, Front
	68029783AA	2	C, Z		27	EGX	DED, DGU		
	68029784AA	2	C, Z		29	EGX	DED, DGU		
20	05127493AA	2	C, Z		29	EGX	DED, DGU		REPAIR KIT, Shock absorber
21									GROMMET, Shock Absorber
	05101369AA	2	C, Z		29	EGX	DED, DGU		
		2	C, Z		27	EGX	DED, DGU		
22									GROMMET, Shock Absorber

CROSSFIRE (ZH)

SERIES	LINE	BODY	ENGINE	TRANSMISSION
S = SPORT	C = CHRYSLER Z = CHRYSLER (RHD)	27 = 2-DR CONVERTIBLE 29 = SPECIALTY COUPE	EGX = 3.2L V6 SOHC 18 Valve Engine	DED = 6-Speed Manual Transmission DGU = 5-Spd Auto W5J400 Transmission

AR = use ase required - = Non illustrated part

2008 ZH

**Stabilizer Bar, Front
Figure 2-205**

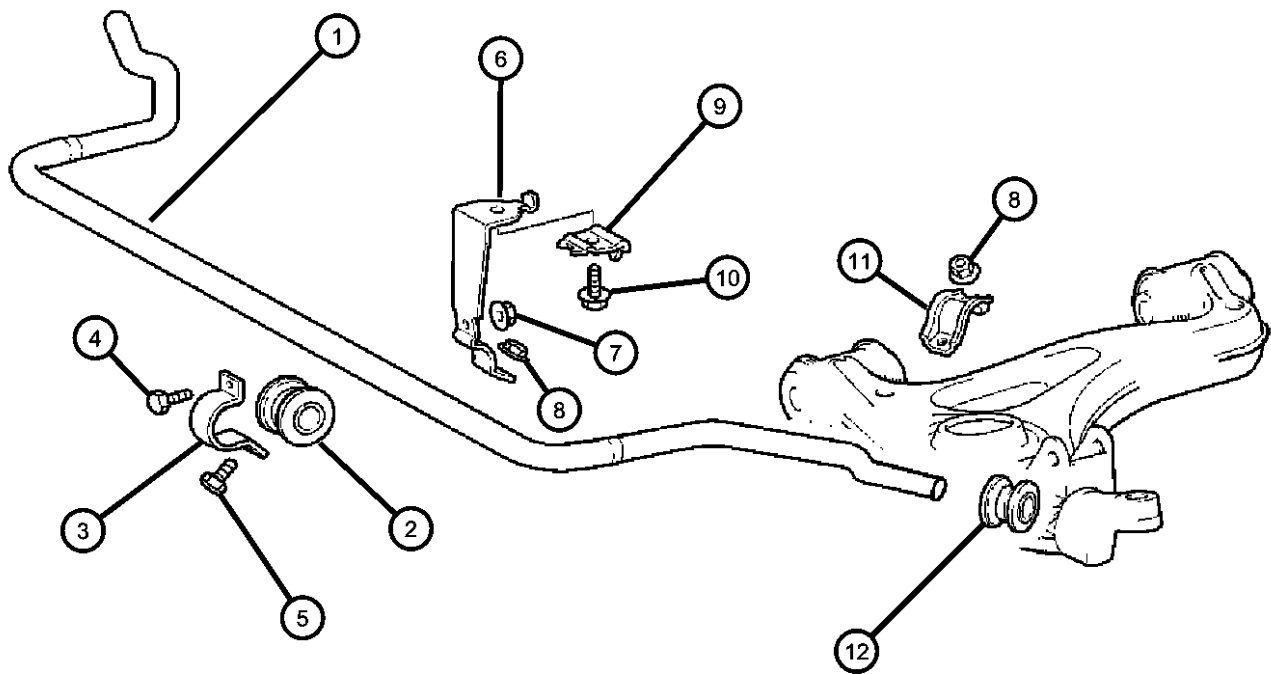
ITEM	PART NUMBER	QTY	LINE	SERIES	BODY	ENGINE	TRANS	TRIM	DESCRIPTION
1									BAR, Front Sway
	05098980AA	1	C, Z		29	EGX	DED, DGU		
		1	C, Z		27	EGX	DED, DGU		
2									CUSHION, Sway Eliminator
	05098933AA	2	C, Z		29	EGX	DED, DGU		
		2	C, Z		27	EGX	DED, DGU		
3									CLAMP, Stabilizer Bar Cushion
	05099734AA	2	C, Z		29	EGX	DED, DGU		
		2	C, Z		27	EGX	DED, DGU		
4									BOLT, Hex Head
	05097554AA	2	C, Z		29	EGX	DED, DGU		
		2	C, Z		27	EGX	DED, DGU		
5									BOLT, Hex Head
	05097554AA	2	C, Z		29	EGX	DED, DGU		
		2	C, Z		27	EGX	DED, DGU		
6									BRACKET, Stabilizer Bar
	05096864AA	1	C, Z		29	EGX	DED, DGU		
		1	C, Z		27	EGX	DED, DGU		
7									NUT, Flange
	05098117AA	2	C, Z		29	EGX	DED, DGU		
		2	C, Z		27	EGX	DED, DGU		
8									NUT, Hex Flange Lock, M8X1.25
	06104716AA	4	C, Z		29	EGX	DED, DGU		
		4	C, Z		27	EGX	DED, DGU		
9									PLATE, Torsion Bar
	05098931AA	2	C, Z		27	EGX	DED, DGU		
		2	C, Z		29	EGX	DED, DGU		
10									BOLT, Hex Flange Head
	05098356AA	2	C, Z		29	EGX	DED, DGU		
		2	C, Z		27	EGX	DED, DGU		
11									CLAMP, Stabilizer Bar

CROSSFIRE (ZH)

SERIES	LINE	BODY	ENGINE	TRANSMISSION
S = SPORT	C = CHRYSLER Z = CHRYSLER (RHD)	27 = 2-DR CONVERTIBLE 29 = SPECIALTY COUPE	EGX = 3.2L V6 SOHC 18 Valve Engine	DED = 6-Speed Manual Transmission DGU = 5-Spd Auto W5J400 Transmission

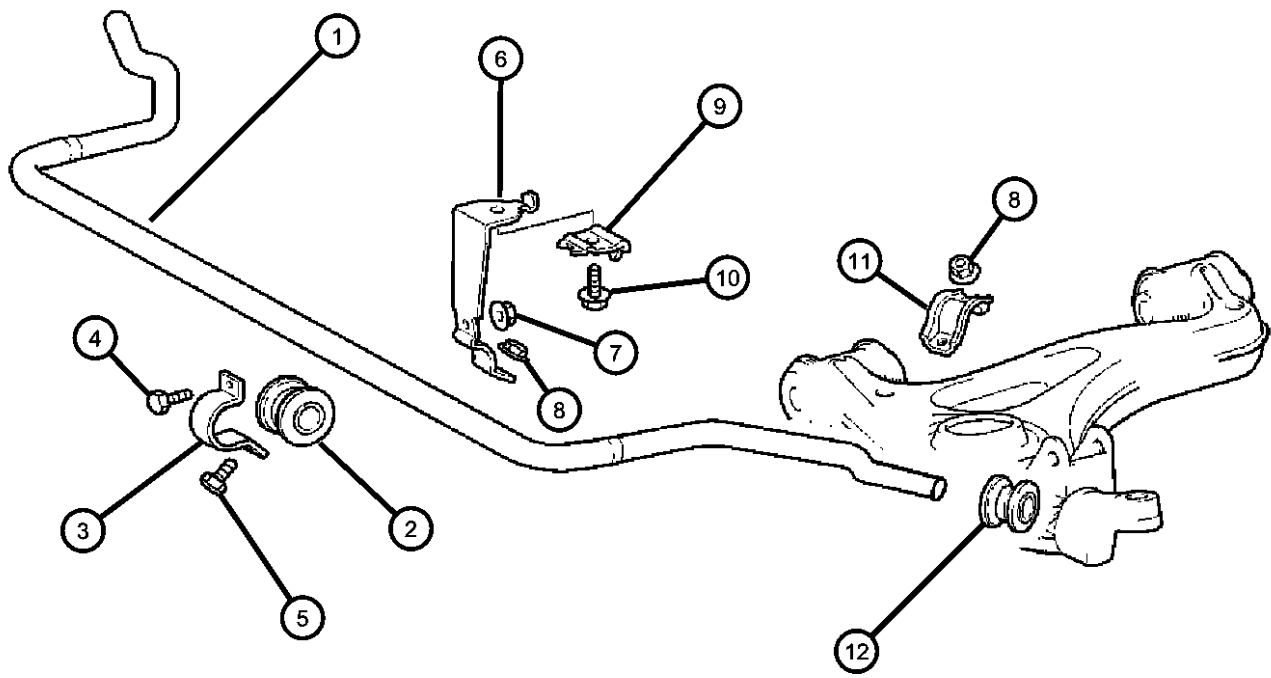
AR = use ase required - = Non illustrated part

2008 ZH



**Stabilizer Bar, Front
Figure 2-205**

ITEM	PART NUMBER	QTY	LINE	SERIES	BODY	ENGINE	TRANS	TRIM	DESCRIPTION
	05099731AA	2	C, Z		29	EGX	DED, DGU		
		2	C, Z		27	EGX	DED, DGU		
12									BUSHING, Stabilizer Bar
	05104862AA	2	C, Z		29	EGX	DED, DGU		
		2	C, Z		27	EGX	DED, DGU		



CROSSFIRE (ZH)

SERIES	LINE	BODY	ENGINE	TRANSMISSION
S = SPORT	C = CHRYSLER Z = CHRYSLER (RHD)	27 = 2-DR CONVERTIBLE 29 = SPECIALTY COUPE	EGX = 3.2L V6 SOHC 18 Valve Engine	DED = 6-Speed Manual Transmission DGU = 5-Spd Auto W5J400 Transmission

AR = use ase required - = Non illustrated part

2008 ZH

Group - 3

Rear Wheel Drive; Differential and Drive Line

Group - 3 Rear Wheel Drive; Differential and Drive Line

Illustration Title

Group-Fig. No.

Drive Shaft

Shaft, Drive Fig. 3 - 601

Rear Axle Assembly

Axle Assembly Fig. 3 - 705

Rear Axle; Housing, Differential and Vent

Housing and Vent,Rear Axle Fig. 3 - 805

Rear Axle Shafts

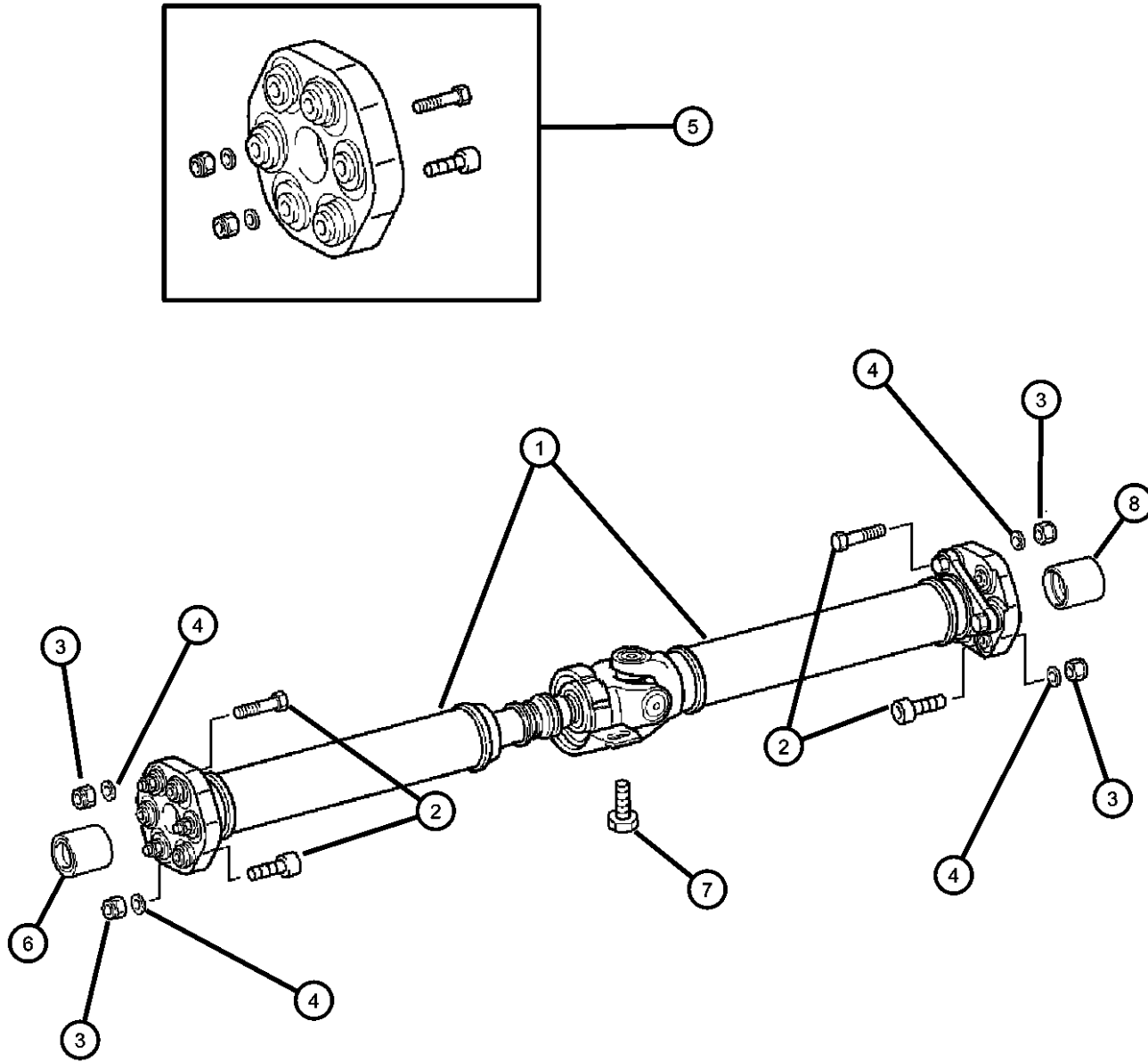
Shafts,Rear,Axle Fig. 3 - 905

003-600 Drive Shaft	003-700 Rear Axle Assembly	003-800 Rear Axle; Housing, Differential and Vent	003-900 Rear Axle Shafts
-------------------------------	--------------------------------------	--	------------------------------------

Shaft, Drive
Figure 3-601

ITEM	PART NUMBER	QTY	LINE	SERIES	BODY	ENGINE	TRANS	TRIM	DESCRIPTION
------	-------------	-----	------	--------	------	--------	-------	------	-------------

Sale Codes:
[DGU]= 5-SPD AUTO, W5A330
[DED]= 6-SPEED MANUAL



1	05102636AA	1	C, Z	S	29				SHAFT, Drive, 2 Piece [DGU]
		1	C, Z	S	27				[DGU]
2	05114272AA	3	C, Z	S	29				BOLT
		3	C, Z	S	27				
3	05114271AA	3	C, Z	S	29				NUT, Hex
		3	C, Z	S	27				
4	05114270AA	3	C, Z	S	29				WASHER
		3	C, Z	S	27				
5	05127495AA	1	C, Z	S	29				JOINT KIT, Driveshaft
		1	C, Z	S	27				
6	05127524AA	1	C, Z	S	29				SPACER, Driveshaft
		1	C, Z	S	27				
7	06104024AA	2	C, Z	S	27, 29				SCREW
8	05127523AA	1	C, Z	P, S	29				SPACER, Driveshaft
		1	C, Z	P, S	27				

CROSSFIRE (ZH)

SERIES	LINE	BODY	ENGINE	TRANSMISSION
S = SPORT	C = CHRYSLER Z = CHRYSLER (RHD)	27 = 2-DR CONVERTIBLE 29 = SPECIALTY COUPE	EGX = 3.2L V6 SOHC 18 Valve Engine	DED = 6-Speed Manual Transmission DGU = 5-Spd Auto W5J400 Transmission

AR = use ase required - = Non illustrated part

2008 ZH

**Axle Assembly
Figure 3-705**

ITEM	PART NUMBER	QTY	LINE	SERIES	BODY	ENGINE	TRANS	TRIM	DESCRIPTION
------	-------------	-----	------	--------	------	--------	-------	------	-------------

Note: *No Serviceable Parts For SRT8 Axles*

Sales Codes

[BRD]= 4-WHEEL DISC

[BR3]=ANTI-LOCK 4-WHEEL DISC

[BR5]=ANTI-LOCK 4-WHEEL DISC, PERFORMANCE

[BR8]=4-WHEEL DISC HEAVY DUTY BRAKES

[EEO]= ALL 2.5L OR 2.7L V6 GAS

[EGO]= ALL 3.3L,3.5L, & 3.8L

1

DIFFERENTIAL, Rear Axle, See Note

05142715AB 1 P, S 29

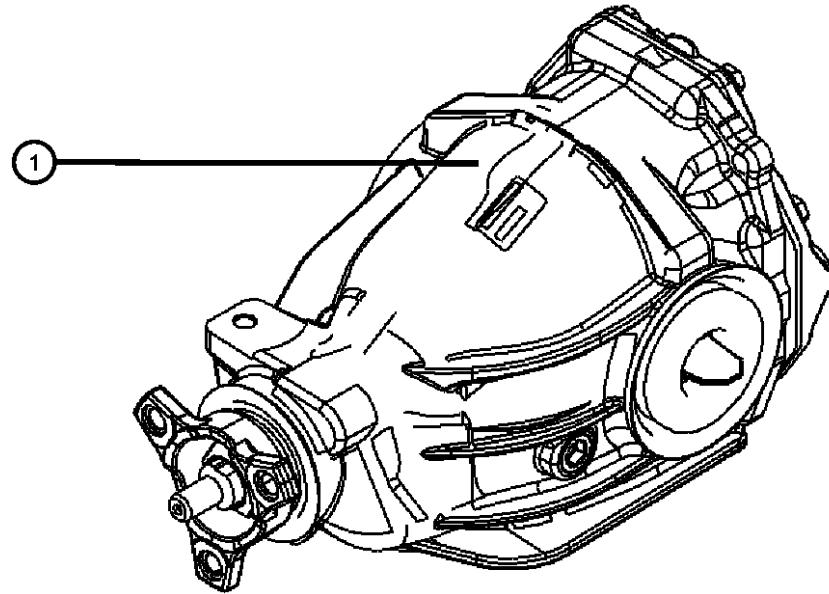
05136035AA

Mopar SAE 75W-85 Gear Lube Quart for Crossfire Axles

1 P, S 27

05136035AA

Mopar SAE 75W-85 Gear Lube Quart for Crossfire Axles



CROSSFIRE (ZH)

SERIES

LINE

BODY

ENGINE

TRANSMISSION

S = SPORT

C = CHRYSLER

27 = 2-DR CONVERTIBLE

EGX = 3.2L V6 SOHC 18

DED = 6-Speed Manual Transmission

Z = CHRYSLER (RHD)

29 = SPECIALTY COUPE

Valve Engine

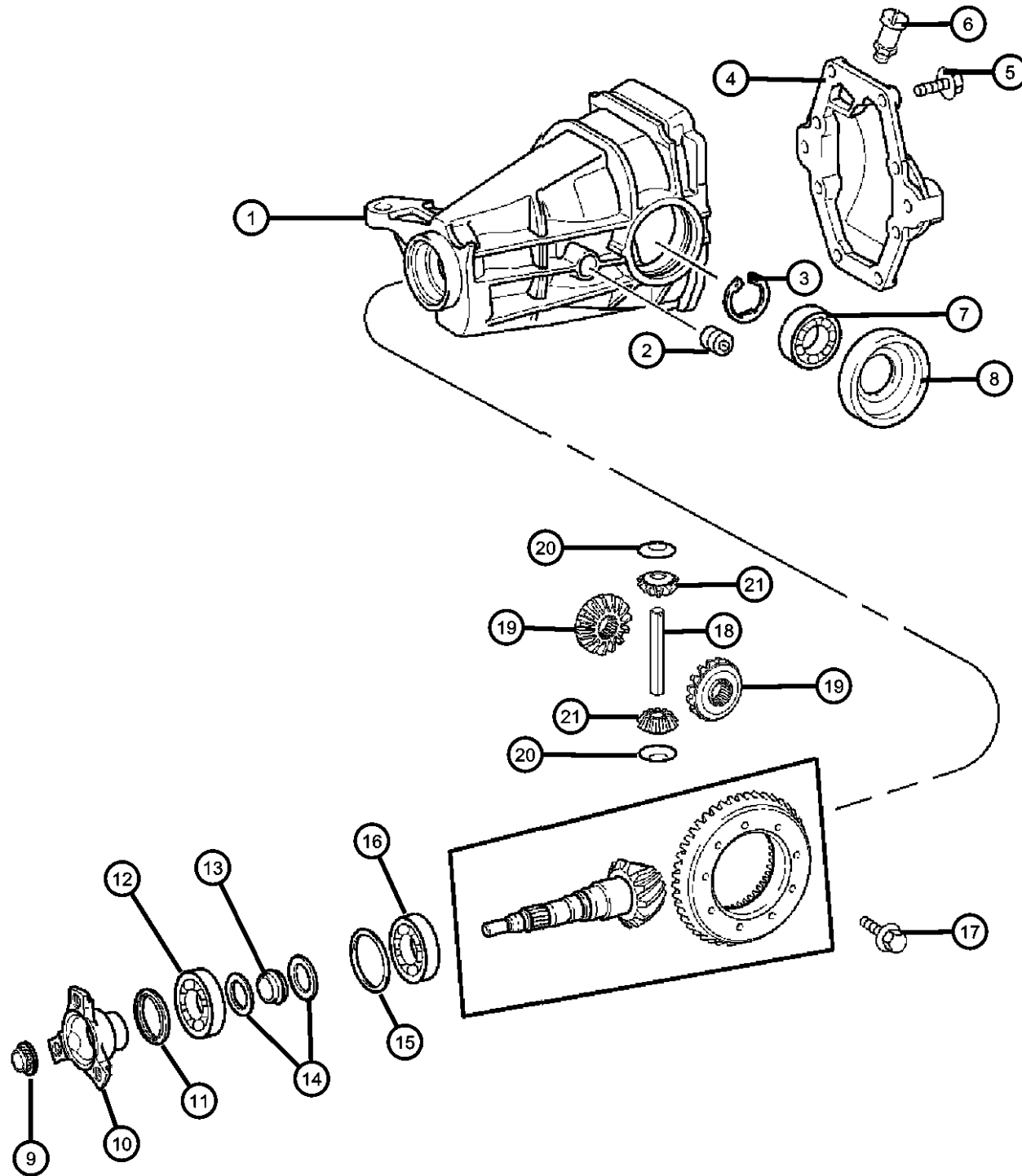
DGU = 5-Spd Auto W5J400

Transmission

AR = use ase required - = Non illustrated part

2008 ZH

Housing and Vent,Rear Axle
Figure 3-805



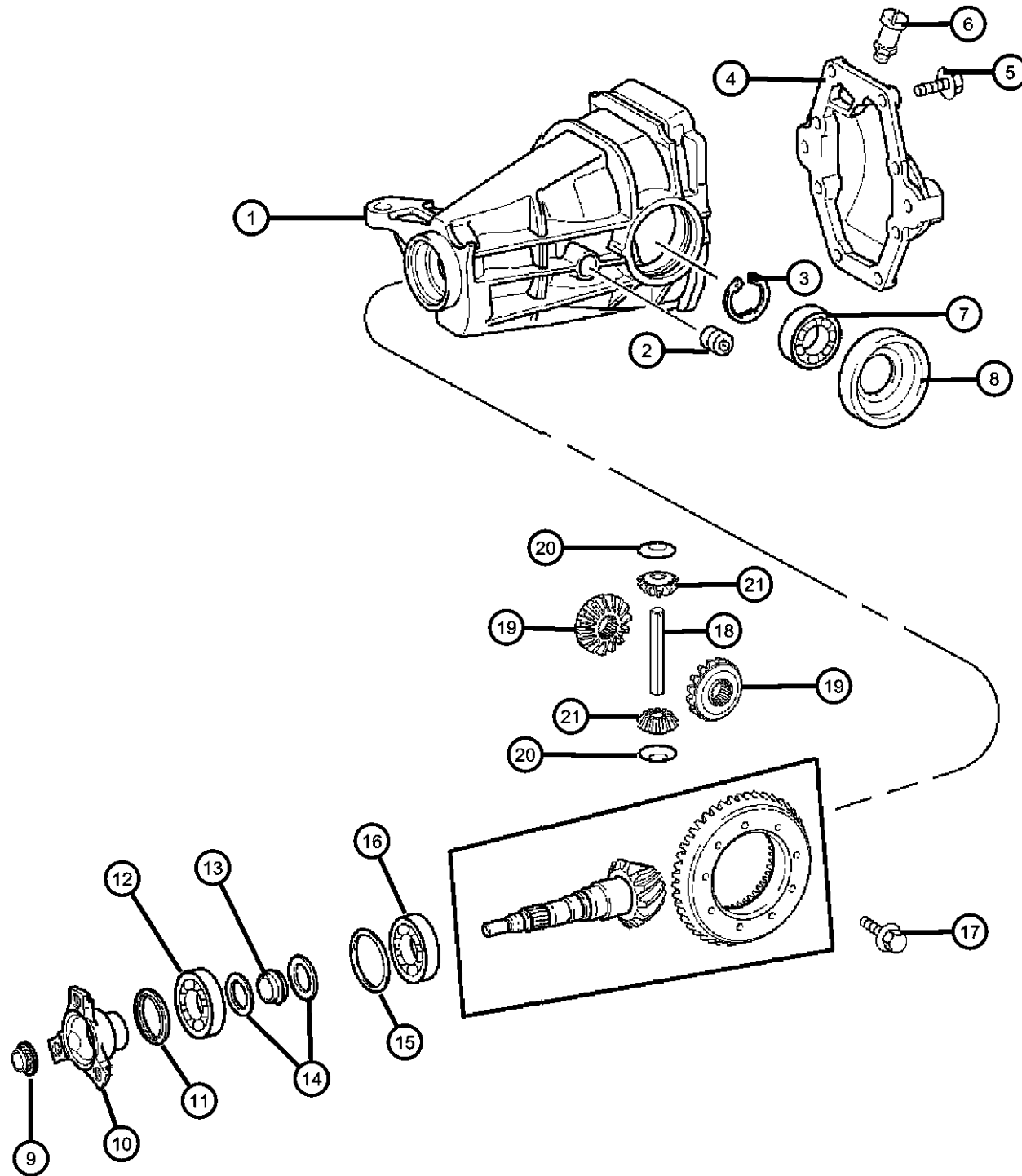
ITEM	PART NUMBER	QTY	LINE	SERIES	BODY	ENGINE	TRANS	TRIM	DESCRIPTION
1	05099238AA	1	C, Z	S	29				HOUSING, Rear Axle
		1	C, Z	S	27				
2	05097712AA	1	C, Z	S	27, 29				PLUG, Oil Drain
3									RETAINING RING/SHIM, Differential Bearing
	52111708AB	1		P, S	29				4.50MM REAR
		1		P, S	27				4.50MM REAR
	52111661AB	1		P, S	29				3.60MM REAR
		1		P, S	27				3.60MM REAR
	52111666AB	1		P, S	29				3.70MM REAR
		1		P, S	27				3.70MM REAR
	52111671AB	1		P, S	29				3.80MM REAR
		1		P, S	27				3.80MM REAR
	52111674AB	1		P, S	29				3.85MM REAR
		1		P, S	27				3.85MM REAR
	52111676AB	1		P, S	29				3.90MM REAR
		1		P, S	27				3.90MM REAR
	52111679AB	1		P, S	29				3.95MM REAR
		1		P, S	27				3.95MM REAR
	52111681AB	1		P, S	29				4.00MM REAR
		1		P, S	27				4.00MM REAR
	52111684AB	1		P, S	29				4.05MM REAR
		1		P, S	27				4.05MM REAR
	52111686AB	1		P, S	29				4.10MM REAR
		1		P, S	27				4.10MM REAR
	52111689AB	1		P, S	29				4.15MM REAR 4.15MM REAR
		1		P, S	27				4.15MM REAR 4.15MM REAR
	52111691AB	1		P, S	29				4.20MM REAR
		1		P, S	27				4.20MM REAR
	52111696AB	1		S, P	29				4.30MM REAR
		1		P, S	27				4.30MM REAR
	52111701AB	1		P, S	29				4.40MM REAR
		1		P, S	27				4.40MM REAR
	52111705AB	1		P, S	29				4.45MM REAR
		1		P, S	27				4.45MM REAR

CROSSFIRE (ZH)

SERIES	LINE	BODY	ENGINE	TRANSMISSION
S = SPORT	C = CHRYSLER Z = CHRYSLER (RHD)	27 = 2-DR CONVERTIBLE 29 = SPECIALTY COUPE	EGX = 3.2L V6 SOHC 18 Valve Engine	DED = 6-Speed Manual Transmission DGU = 5-Spd Auto W5J400 Transmission

AR = use ase required - = Non illustrated part

Housing and Vent,Rear Axle
Figure 3-805



ITEM	PART NUMBER	QTY	LINE	SERIES	BODY	ENGINE	TRANS	TRIM	DESCRIPTION
4	05099802AB	1	C, Z	S	29				COVER, Rear Axle
		1	C, Z	S	27				
5	06104043AA	8	C, Z	S	29				BOLT, Hex Head
		8	C, Z	S	27				
6	52111492AA	1	C, Z	S	29				VENT, Axle
		1	C, Z	S	27				
7	52111478AA	2	C, Z	S	29				BEARING, Differential Case
		2	C, Z	S	27				
8	05114258AA	2	C, Z	S	29				SEAL, Oil
		2	C, Z	S	27				
9	05174162AA	1	C, Z	S	29				NUT
		1	C, Z	S	27				
10	05114256AA	1	C, Z	S	29				FLANGE, Axle Output
		1	C, Z	S	27				
11	05114255AA	1	C, Z	S	29				SEAL
		1	C, Z	S	27				
12	52111444AA	1	C, Z	S	29				BEARING, Drive Pinion
		1	C, Z	S	27				
13	52111442AA	1	C, Z	S	29				SPACER, Drive Pinion Bearing
		1	C, Z	S	27				
14	52111443AA	2	C, Z	S	29				WASHER, Thrust
		2	C, Z	S	27				
15	05139417AA	1		P, S	29				SHIM, Drive Pinion Bearing 1.50MM REAR

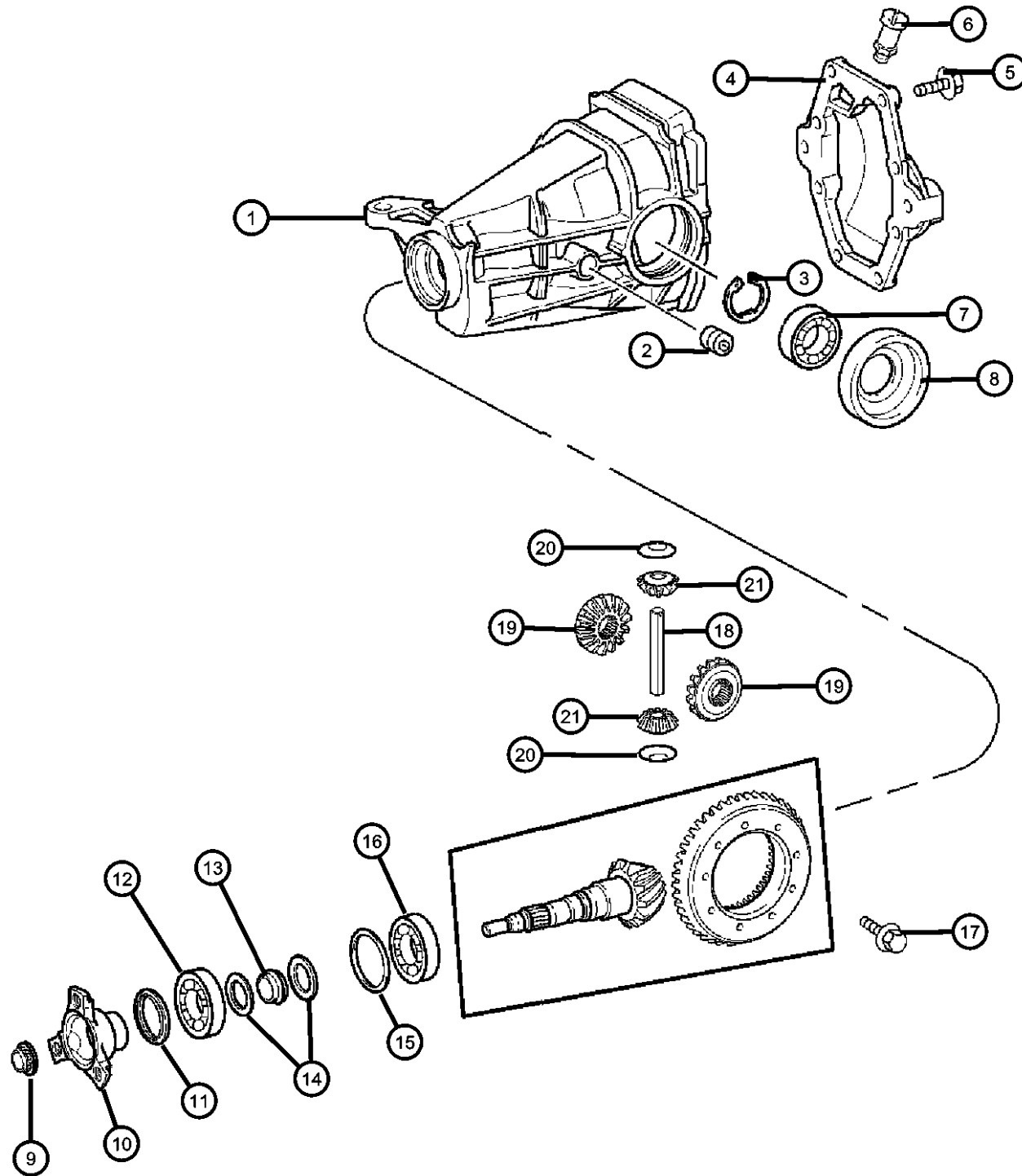
CROSSFIRE (ZH)

SERIES	LINE	BODY	ENGINE	TRANSMISSION
S = SPORT	C = CHRYSLER Z = CHRYSLER (RHD)	27 = 2-DR CONVERTIBLE 29 = SPECIALTY COUPE	EGX = 3.2L V6 SOHC 18 Valve Engine	DED = 6-Speed Manual Transmission DGU = 5-Spd Auto W5J400 Transmission

AR = use ase required - = Non illustrated part

2008 ZH

Housing and Vent,Rear Axle
Figure 3-805



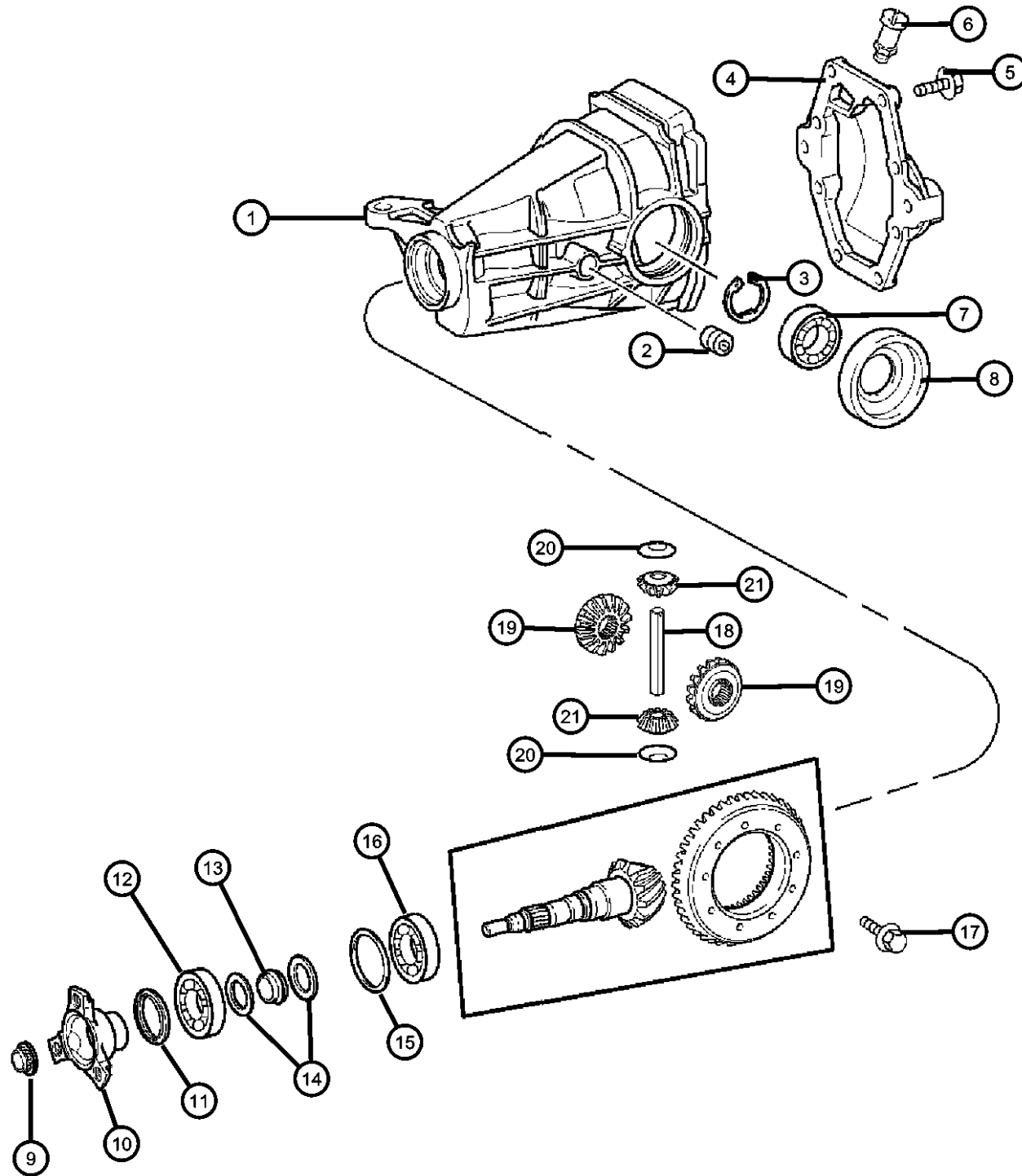
ITEM	PART NUMBER	QTY	LINE	SERIES	BODY	ENGINE	TRANS	TRIM	DESCRIPTION
		1		P, S	27				1.50MM REAR
	05139419AA	1		P, S	29				1.55MM REAR
		1		P, S	27				1.55MM REAR
	05139420AA	1		S	29				1.60MM REAR
		1		S	27				1.60MM REAR
	05139421AA	1		P, S	29				1.65MM REAR
		1		P, S	27				1.65MM REAR
	05139429AA	1		P, S	29				1.70MM REAR
		1		P, S	27				1.70MM REAR
	05139433AA	1		P, S	29				1.75MM REAR
		1		P, S	27				1.75MM REAR
	05139434AA	1		P, S	29				1.80MM REAR
		1		P, S	27				1.80MM REAR
	05139435AA	1		P, S	29				1.85MM REAR
		1		P, S	27				1.85MM REAR
	05139436AA	1		P, S	29				1.90MM REAR
		1		P, S	27				1.90MM REAR
	05139437AA	1		P, S	29				1.95MM REAR
		1		P, S	27				1.95MM REAR
	05139439AA	1		P, S	29				2.00MM REAR
		1		P, S	27				2.00MM REAR
	05139441AA	1		P, S	29				2.05MM REAR
		1		P, S	27				2.05MM REAR
	05139444AA	1		P, S	29				2.10MM REAR
		1		P, S	27				2.10MM REAR
	05139445AA	1		P, S	29				2.15MM REAR
		1		P, S	27				2.15MM REAR
	05139446AA	1		P, S	29				2.20MM REAR
		1		P, S	27				2.20MM REAR
	05139447AA	1		P, S	29				2.25MM REAR
		1		P, S	27				2.25MM REAR
	05139448AA	1		P, S	29				2.30MM REAR
		1		P, S	27				2.30MM REAR
	05139450AA	1		P, S	29				2.35MM REAR
		1		P, S	27				2.35MM REAR

CROSSFIRE (ZH)

SERIES	LINE	BODY	ENGINE	TRANSMISSION
S = SPORT	C = CHRYSLER Z = CHRYSLER (RHD)	27 = 2-DR CONVERTIBLE 29 = SPECIALTY COUPE	EGX = 3.2L V6 SOHC 18 Valve Engine	DED = 6-Speed Manual Transmission DGU = 5-Spd Auto W5J400 Transmission

AR = use ase required - = Non illustrated part

Housing and Vent,Rear Axle
Figure 3-805



ITEM	PART NUMBER	QTY	LINE	SERIES	BODY	ENGINE	TRANS	TRIM	DESCRIPTION
	05139451AA	1		P, S	29				2.40MM REAR
		1		P, S	27				2.40MM REAR
16									BEARING, Drive Pinion
	52111439AA	1	C, Z	S	29				
		1	C, Z	S	27				
17									BOLT
	05114257AA	10	C, Z	S	29				
		10	C, Z	S	27				
18									SHAFT, Pinion Gear
	52111469AA	1	C, Z	S	29				
		1	C, Z	S	27				
19									GEAR, Differential Side
	52111466AA	2	C, Z	S	29				
		2	C, Z	S	27				
20									WASHER, Pinion Gear
	52111468AA	2	C, Z	S	29				
		2	C, Z	S	27				
21									GEAR, Differential Pinion
	52111467AA	2	C, Z	S	29				
		2	C, Z	S	27				
-22									GASKET, Rear Axle
	05139744AA	0	C, Z	S	29				
		0	C, Z	S	27				
-23									SHAFT, Pinion Gear
	52111469AA	1	C, Z	S	29				
		1	C, Z	S	27				

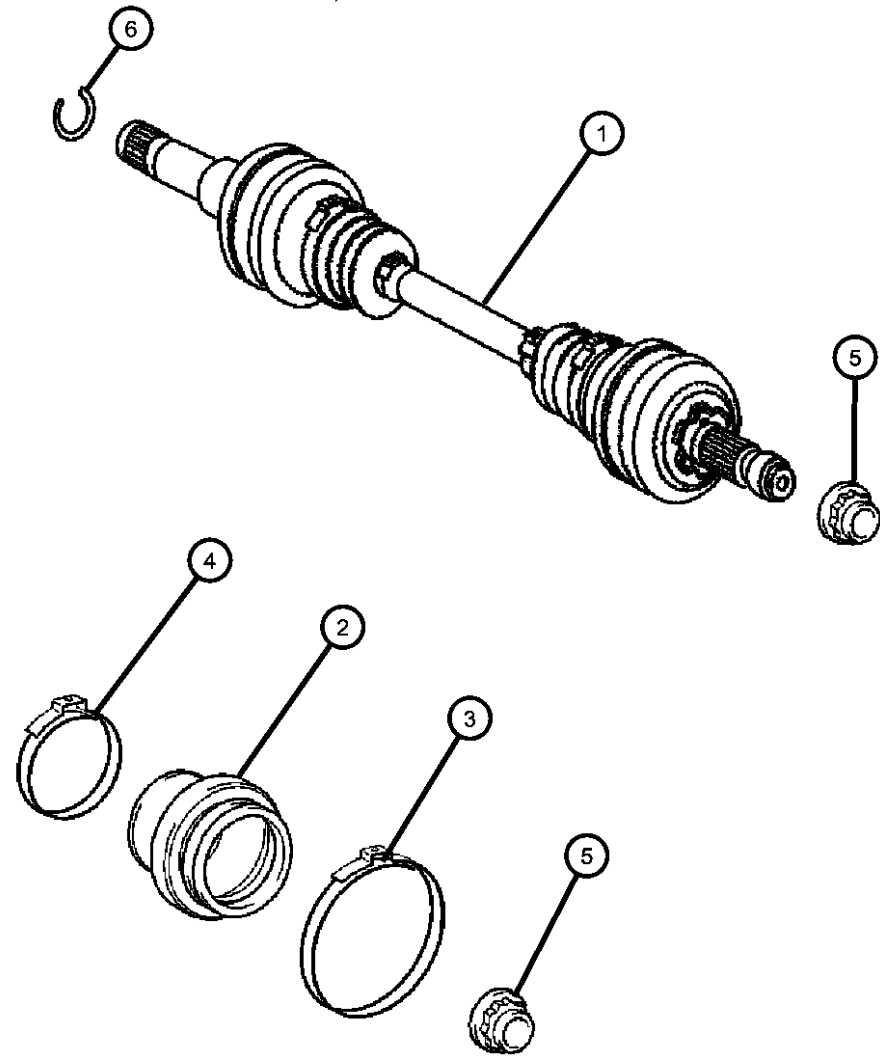
CROSSFIRE (ZH)

SERIES	LINE	BODY	ENGINE	TRANSMISSION
S = SPORT	C = CHRYSLER Z = CHRYSLER (RHD)	27 = 2-DR CONVERTIBLE 29 = SPECIALTY COUPE	EGX = 3.2L V6 SOHC 18 Valve Engine	DED = 6-Speed Manual Transmission DGU = 5-Spd Auto W5J400 Transmission

AR = use ase required - = Non illustrated part

2008 ZH

Shafts,Rear,Axle
Figure 3-905



ITEM	PART NUMBER	QTY	LINE	SERIES	BODY	ENGINE	TRANS	TRIM	DESCRIPTION
1									SHAFT, Axle Half
	05140893AB	2		P, S	29				
		2		P, S	27				
2									BOOT, Axle shaft
	05114243AA	2	C, Z	S	29				
		2	C, Z	S	27				
3									CLAMP, Boot
	05114246AA	2	C, Z	S	29				
		2	C, Z	S	27				
4									CLAMP, Boot
	05114247AA	2	C, Z	S	29				
		2	C, Z	S	27				
5									NUT, Flange
	05096387AA	2	C, Z	S	29				
		2	C, Z	S	27				
6									RING, Axle Shaft
	05114252AA	1	C, Z	S	29				
		1	C, Z	S	27				
-7									COVER, Axle Shaft Dust
	05114251AA	1	C, Z	S	29				
		1	C, Z	S	27				

CROSSFIRE (ZH)

SERIES	LINE	BODY	ENGINE	TRANSMISSION
S = SPORT	C = CHRYSLER Z = CHRYSLER (RHD)	27 = 2-DR CONVERTIBLE 29 = SPECIALTY COUPE	EGX = 3.2L V6 SOHC 18 Valve Engine	DED = 6-Speed Manual Transmission DGU = 5-Spd Auto W5J400 Transmission

AR = use ase required - = Non illustrated part

2008 ZH

Group - 5

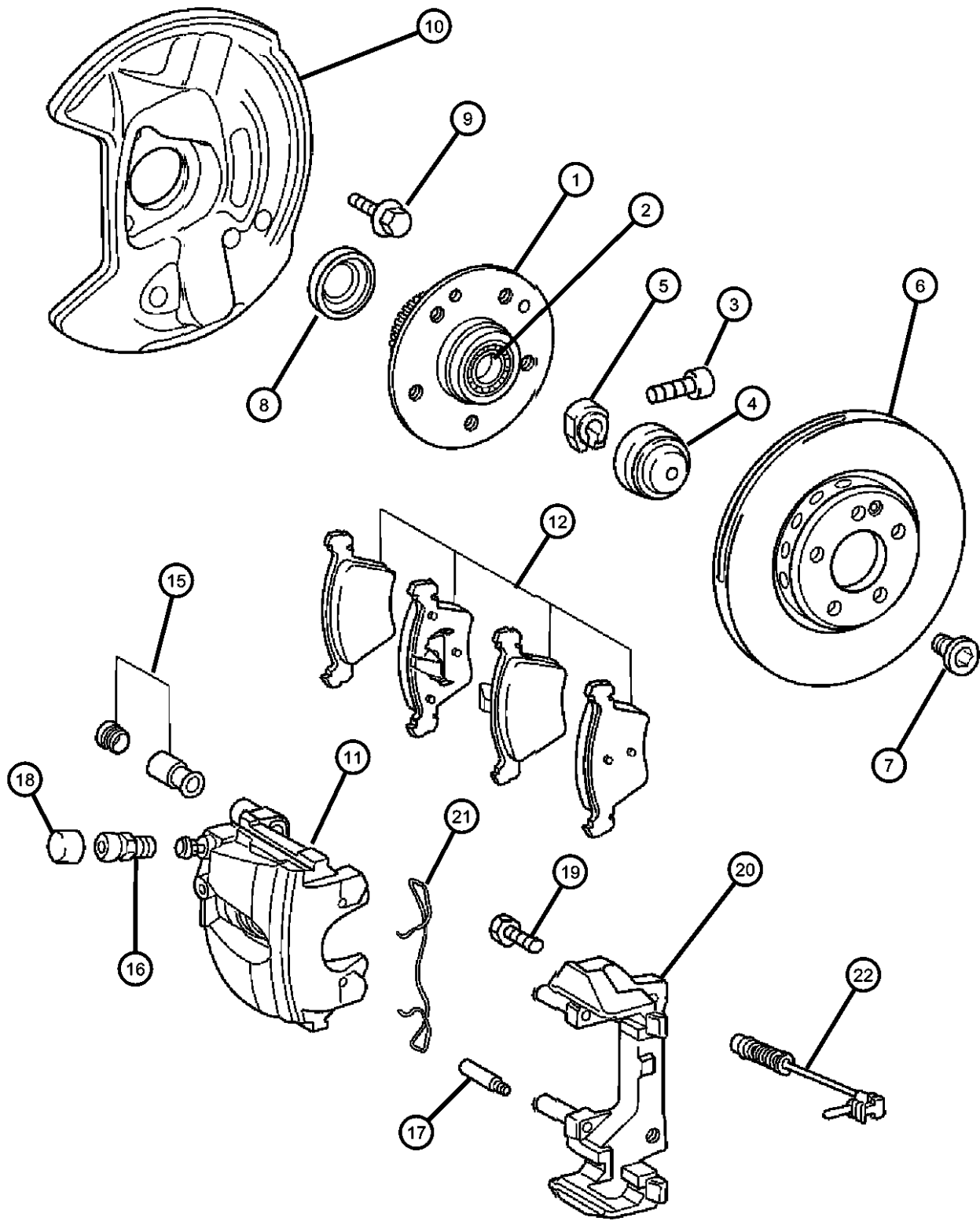
Brakes

Group - 5 Brakes

Illustration Title	Group-Fig. No.
Front Brakes	
Brakes,Front.....	Fig. 5 - 105
Rear Brakes	
Brakes, Rear, Disc.....	Fig. 5 - 205
Power Brake Booster	
Booster,Vacuum Power Brake.....	Fig. 5 - 305
Brake Master Cylinder	
Master Cylinder.....	Fig. 5 - 405
Hydraulic Control Unit, Brake Tubes and Hoses	
HCU and Tubes,Front,LHD.....	Fig. 5 - 505
Brake Tubes,Front.....	Fig. 5 - 515
Brake Tubes,Rear.....	Fig. 5 - 520
Brake Pedals	
Pedal,Brake.....	Fig. 5 - 605
Parking Brake Lever, Cables, and Rear Disc Park Brake Assembly	
Park Brake Cables,Rear.....	Fig. 5 - 715
Park Brake Assembly,Rear Disc.....	Fig. 5 - 725

005-100 Front Brakes	005-200 Rear Brakes	005-300 Power Brake Booster	005-400 Brake Master Cylinder
005-500 Hydraulic Control Unit, Brake Tubes and Hoses	005-600 Brake Pedals	005-700 Parking Brake Lever, Cables, and Rear Disc Park Brake Assembly	

Brakes,Front
Figure 5-105



ITEM	PART NUMBER	QTY	LINE	SERIES	BODY	ENGINE	TRANS	TRIM	DESCRIPTION
------	-------------	-----	------	--------	------	--------	-------	------	-------------

Sales Codes:
[EGX]=3.2L V6 SOHC 18 VALVE
[EGZ]=3.2L V6 SUPERCHARGED

1									HUB, Front Wheel
	05097607AA	1	C, Z		29				
		1	C, Z		27				
	05099235AA	1	C, Z		29				Without ABS
		1	C, Z		27				Without ABS
2									BEARING, Wheel Hub
	05097737AA	1	C, Z		27				Left
	05097738AA	1	C, Z		29				Right
		1	C, Z		27				Right
		1	C, Z		29				Left
3									SCREW
	05104617AA	1	C, Z		29				
		1	C, Z		27				
4									CAP, Wheel Bearing
	05101732AA	1	C, Z		29				
		1	C, Z		27				
5									NUT
	05097843AA	1	C, Z		29				
		1	C, Z		27				
6									ROTOR, Brake
	05098064AA	1	C, Z		29				
		1	C, Z		27				
7									BOLT, Brake Mounting
	05097539AA	1	C, Z		29				
		1	C, Z		27				
8									SEAL, Hub
	05099837AA	1	C, Z		29				
		1	C, Z		27				
9									BOLT, Hex Flange Head
	05098121AA	3	C, Z		29				
		3	C, Z		27				
10									PLATE, Backing
	05096878AA	1	C, Z		29				Right

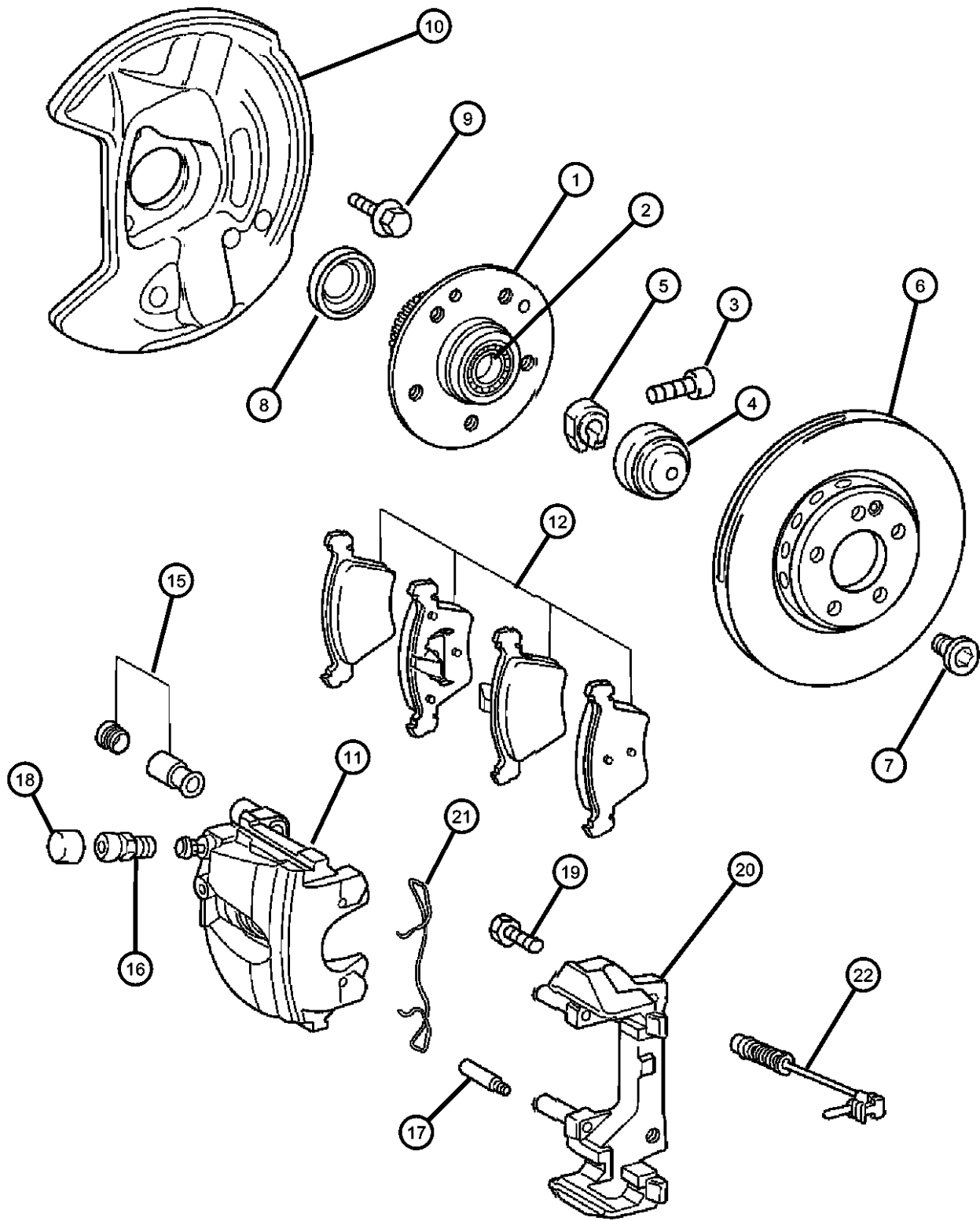
CROSSFIRE (ZH)

SERIES	LINE	BODY	ENGINE	TRANSMISSION
S = SPORT	C = CHRYSLER Z = CHRYSLER (RHD)	27 = 2-DR CONVERTIBLE 29 = SPECIALTY COUPE	EGX = 3.2L V6 SOHC 18 Valve Engine	DED = 6-Speed Manual Transmission DGU = 5-Spd Auto W5J400 Transmission

AR = use ase required - = Non illustrated part

2008 ZH

Brakes,Front
Figure 5-105



ITEM	PART NUMBER	QTY	LINE	SERIES	BODY	ENGINE	TRANS	TRIM	DESCRIPTION
		1	C, Z		27				Right
	05096879AA	1	C, Z		29				Left
		1	C, Z		27				Left
11									CALIPER, Disc Brake
	05139586AA	1	C, Z		29				Right
		1	C, Z		27				Right
	05139587AA	1	C, Z		29				Left
		1	C, Z		27				Left
12									PAD KIT, Front Disc Brake
	05139218AA	1	C, Z		29				
		1	C, Z		27				
-13									REPAIR KIT, Caliper
	05126318AA	1	C, Z		29				
		1	C, Z		27				
-14									PIN KIT, Disc Brake
	05103632AA	1	C, Z		29				
		1	C, Z		27				
15									BUSHING, Caliper
	05114556AA	1	C, Z		29				
		1	C, Z		27				
16									BLEEDER SCREW, Brake
	05114565AC	1	C, Z		29				
		1	C, Z		27				
17									SLEEVE, Brake Caliper
	05096906AA	2	C, Z		29				
		2	C, Z		27				
18		2							CAP, Bleeder, (NOT SERVICED)
19									BOLT, Hex Head
	05097199AA	2	C, Z		29				
		2	C, Z		27				
20									ADAPTER, Disc Brake Caliper
	05143221AA	1	C, Z		29				
		1	C, Z		27				
21									CLIP, Brake Caliper
	05114564AB	1	C, Z		27				

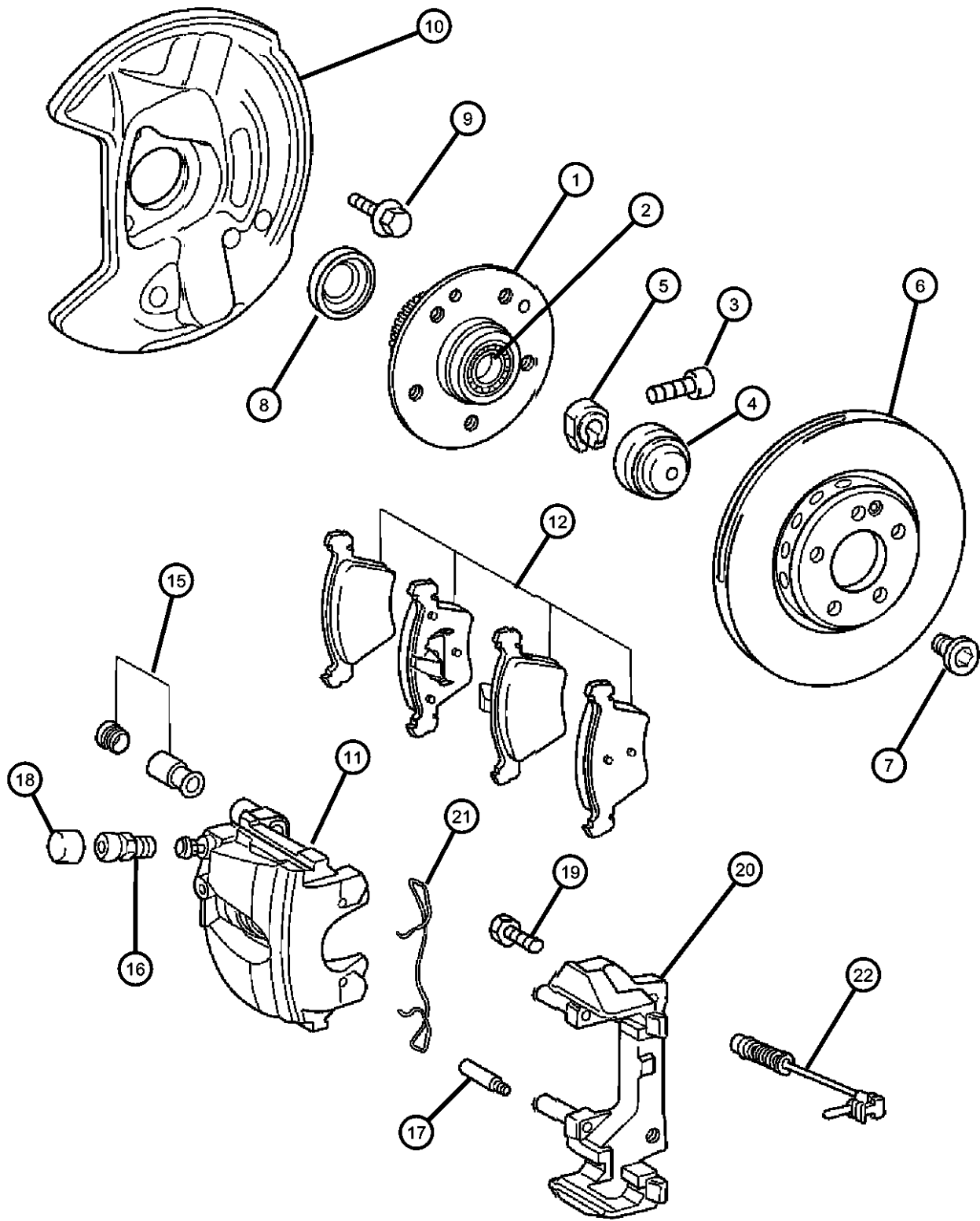
CROSSFIRE (ZH)

SERIES	LINE	BODY	ENGINE	TRANSMISSION
S = SPORT	C = CHRYSLER Z = CHRYSLER (RHD)	27 = 2-DR CONVERTIBLE 29 = SPECIALTY COUPE	EGX = 3.2L V6 SOHC 18 Valve Engine	DED = 6-Speed Manual Transmission DGU = 5-Spd Auto W5J400 Transmission

AR = use ase required - = Non illustrated part

2008 ZH

Brakes,Front
Figure 5-105



ITEM	PART NUMBER	QTY	LINE	SERIES	BODY	ENGINE	TRANS	TRIM	DESCRIPTION
		1	C, Z		29				
22	05099878AA	1	C, Z		29				CLIP, Sensor
		1	C, Z		27				

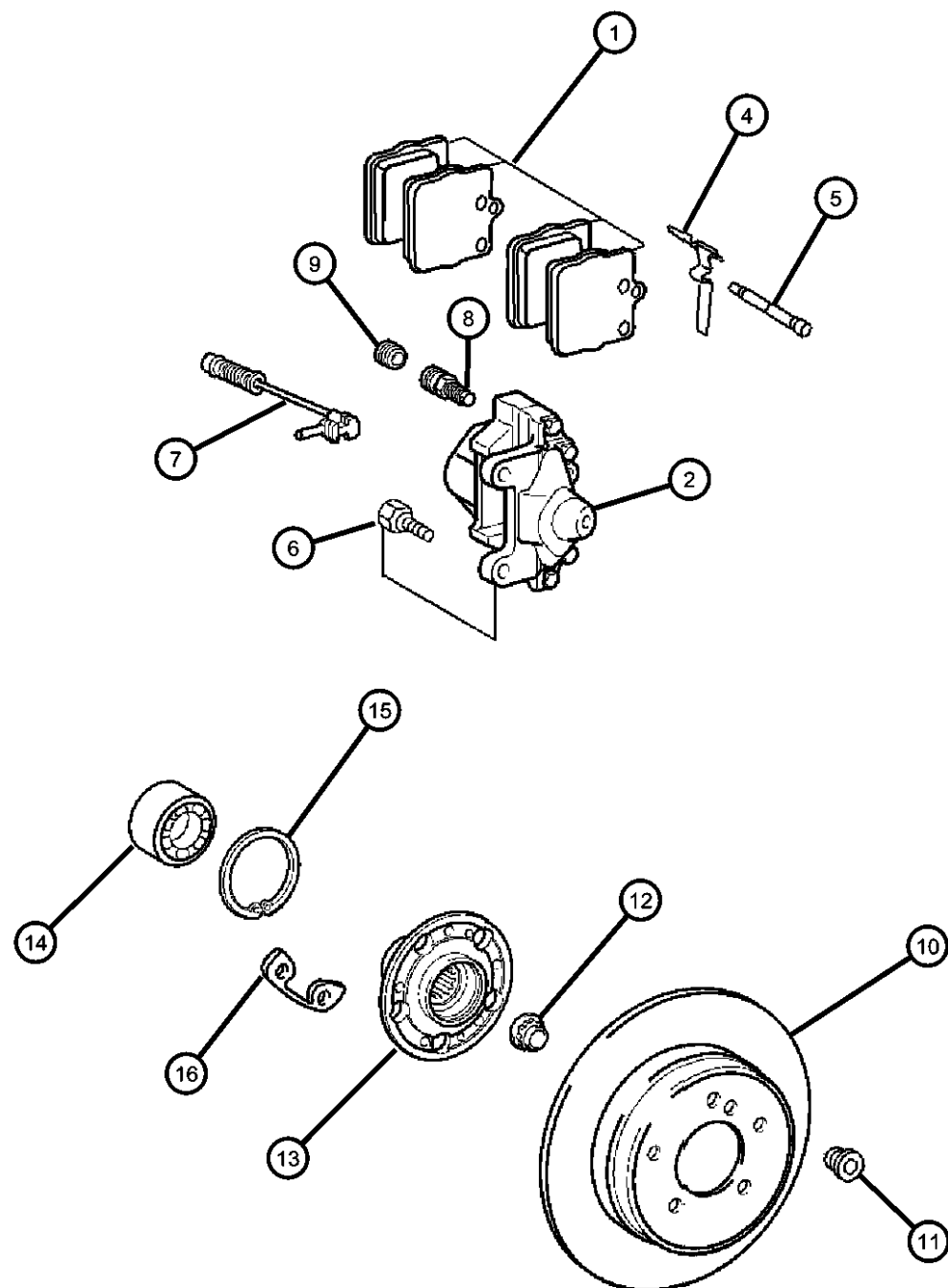
CROSSFIRE (ZH)

SERIES	LINE	BODY	ENGINE	TRANSMISSION
S = SPORT	C = CHRYSLER Z = CHRYSLER (RHD)	27 = 2-DR CONVERTIBLE 29 = SPECIALTY COUPE	EGX = 3.2L V6 SOHC 18 Valve Engine	DED = 6-Speed Manual Transmission DGU = 5-Spd Auto W5J400 Transmission

AR = use ase required - = Non illustrated part

Brakes, Rear, Disc

Figure 5-205



ITEM	PART NUMBER	QTY	LINE	SERIES	BODY	ENGINE	TRANS	TRIM	DESCRIPTION
Sales Codes: [EGX]=3.2L V6 SUPERCHARGED [EGZ]=3.2L V6 SUPERCHARGED									
1									PAD KIT, Rear Disc Brake
	05139902AA	1			29				
		1			27				
2									CALIPER, Disc Brake
	05139586AA	1	C, Z		29				Right
	05139587AA	1	C, Z		27				Left
		1	C, Z		27				Right
		1	C, Z		29				Left
-3									REPAIR KIT, Caliper
	05126318AA	1	C, Z		29				
		1	C, Z		27				
4									CLIP, Brake Caliper
	05126307AA	1	C, Z		29				
		1	C, Z		27				
5									PIN, Caliper
	05126306AA	1	C, Z		29				
		1	C, Z		27				
6									SCREW, M10x23
	05097013AA	4	C, Z		29				
		4	C, Z		27				
7									CLIP, Sensor
	05099878AA	1	C, Z		29				
		1	C, Z		27				
8									BLEEDER SCREW, Brake
	05114565AC	1	C, Z		29				
		1	C, Z		27				
9									CAP, Bleeder
	05126309AA	1	C, Z		29				
		1	C, Z		27				
10									ROTOR, Brake
	68031811AA	1	C, Z		29				
		1	C, Z		27				
11									SCREW, Set

CROSSFIRE (ZH)

SERIES	LINE	BODY	ENGINE	TRANSMISSION
S = SPORT	C = CHRYSLER Z = CHRYSLER (RHD)	27 = 2-DR CONVERTIBLE 29 = SPECIALTY COUPE	EGX = 3.2L V6 SOHC 18 Valve Engine	DED = 6-Speed Manual Transmission DGU = 5-Spd Auto W5J400 Transmission

AR = use ase required - = Non illustrated part