

VIN PLATE DECODING INFORMATION

1	2	3	4	5	6	7	8	9	10	11	12 thru 17
Country	Make	Vehicle Type	Other	Line	Series	Body Style	Engine	Check Digit	Model Year	Assy. Plant	Sequence No.

The following table interprets the VIN Plate position shown above.

Position	Interpretation	Codes = Description
1	Country of Origin	4 = Built in Germany 1 = DaimlerChrysler Corporation
2	Assembler	C = Chrysler
3	Vehicle Type	3 = Passenger
4	GVWR & Pass. Safety	E = Restraint System Active Driver & Passenger Air Bags (CGW) A = Restraint System Active Front & Side Air Bags (CGS) B = Restraint System Manual/Active Uni-belt (CGA) D = Restraint System w/o Air Bags (CGJ)
5	Vehicle Line	N = Crossfire (LHD) P = Crossfire (RHD)
6	Series	7 = Crossfire SRT-6 5 = Crossfire Roadster/Coupe 6 = Crossfire Limited Roadster/Coupe
7	Body Style	5 = Crossfire (27) 9 = Crossfire (29)
8	Engine	L = 3.2L V6 18V SOHC (EGX)
9	Check Digit	0 = Check Digit
10	Model Year	7 = 2007
11	Assembly Plant	X = Karmann - Osnabrueck
12 thru 17	Vehicle Build Sequence	Model Year Assembly Sequence

Group - 2

Front Suspension & Drive

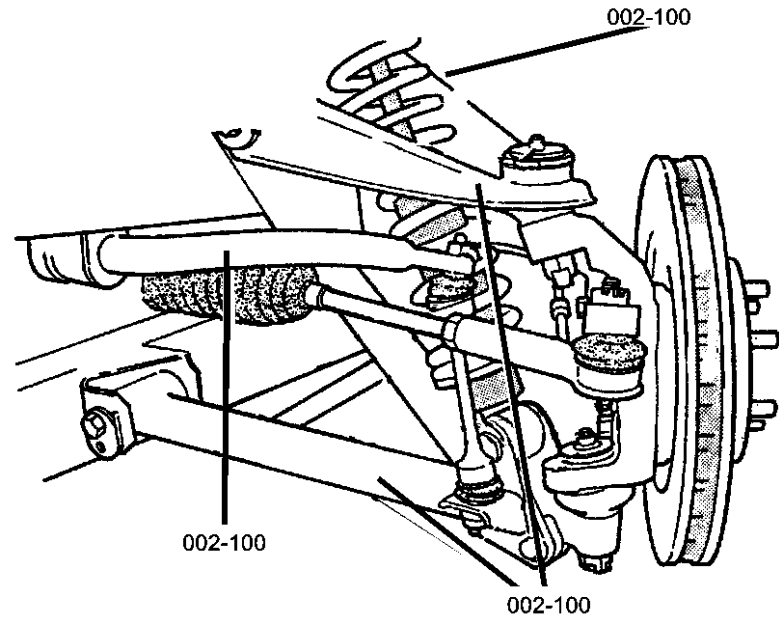
Group - 2 Front Suspension & Drive

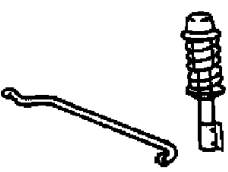
Illustration Title

Group-Fig. No.

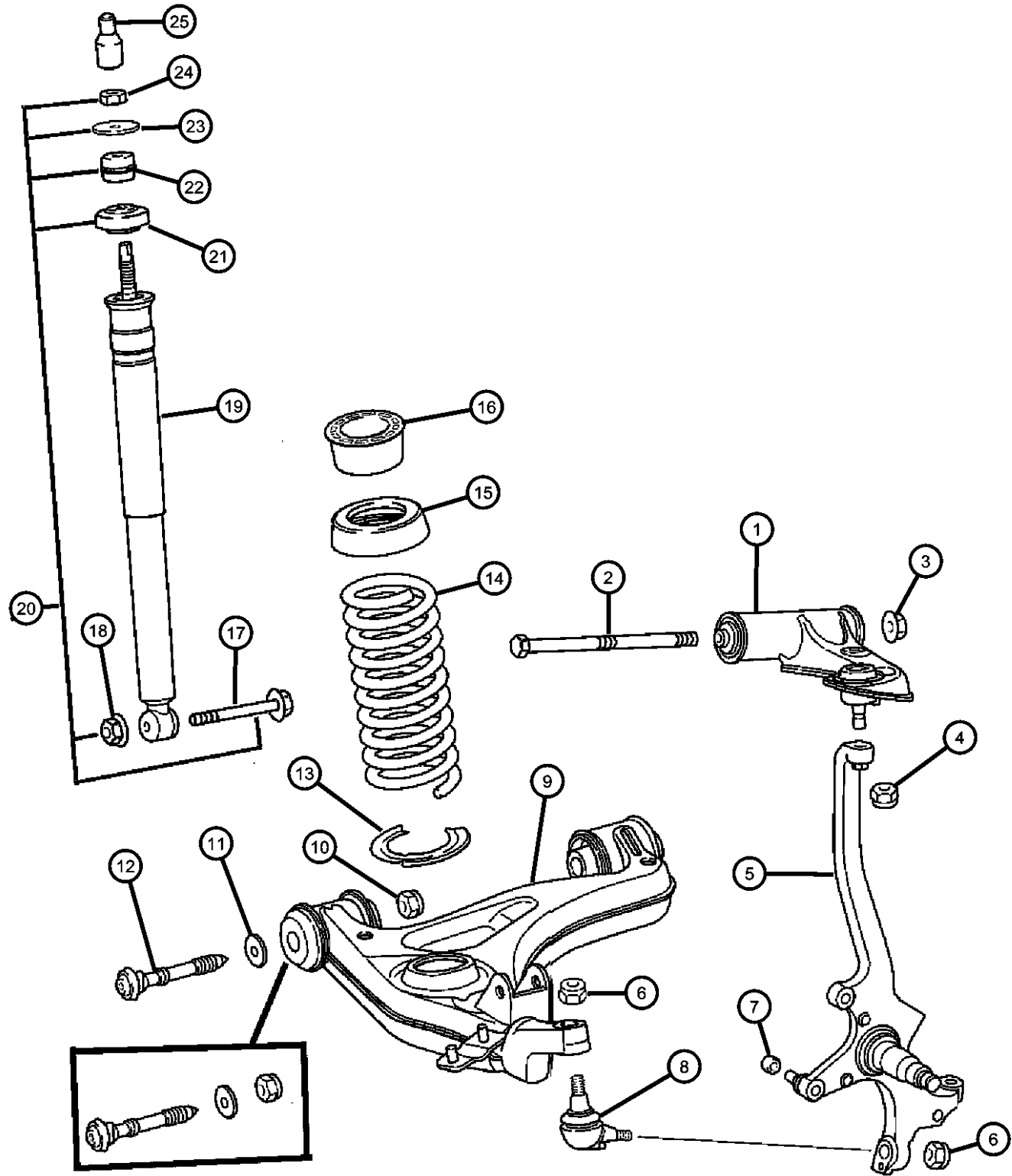
Front Suspension

Suspension, Front..... Fig. 2 - 120
 Sway Bar, Front Fig. 2 - 130



<p>002-100 Front Suspension</p> 			
---	--	--	--

Suspension, Front
Figure 2-120



ITEM	PART NUMBER	QTY	LINE	SERIES	BODY	ENGINE	TRANS	TRIM	DESCRIPTION
------	-------------	-----	------	--------	------	--------	-------	------	-------------

Sales Codes:
 [EGX]=3.2L V6 SOHC 18 VALVE
 [EGZ]= 3.2L V6 SUPERCHARGED
 [DED]= 6-SPEED MANUAL
 [DGJ]=5-SPD AUTO, W5A580
 [DGU]=5-SPD AUTO, W5A330

1									ARM, Upper Control, Front
	05101056AA	1	C, Z		29	EGX	DED, DGU		Left
		1	C, Z		27	EGX	DED, DGU		Left
	05101057AA	1	C, Z		29	EGX	DED, DGU		Right
		1	C, Z		27	EGX	DED, DGU		Right
2									BOLT
	05097584AA	1	C, Z		29	EGX	DED, DGU		
		1	C, Z		27	EGX	DED, DGU		
3									NUT
	06104717AA	1	C, Z		29	EGX	DED, DGU		
		1	C, Z		27	EGX	DED, DGU		
4									NUT
	05097588AA	1	C, Z		29	EGX	DED, DGU		
		1	C, Z		27	EGX	DED, DGU		
5									KNUCKLE, Front
	05097556AA	1	C, Z		29	EGX	DED, DGU		Right
		1	C, Z		27	EGX	DED, DGU		Right
	05097557AA	1	C, Z		29	EGX	DED, DGU		Left
		1	C, Z		27	EGX	DED, DGU		Left
6									NUT, Hex
	05097586AA	2	C, Z		29	EGX	DED, DGU		
		2	C, Z		27	EGX	DED, DGU		
7									CAP, Bolt Cover
	05101546AA	1	C, Z		29	EGX	DED, DGU		
		1	C, Z		27	EGX	DED, DGU		
8									BALL JOINT, Lower Control Arm
	05099237AB	1	C, Z		29	EGX	DED, DGU		
		1	C, Z		27	EGX	DED, DGU		
9									ARM, Lower Control, Front
	05099898AA	1	C, Z		29	EGX	DED, DGU		Right
		1	C, Z		27	EGX	DGU, DED		Right

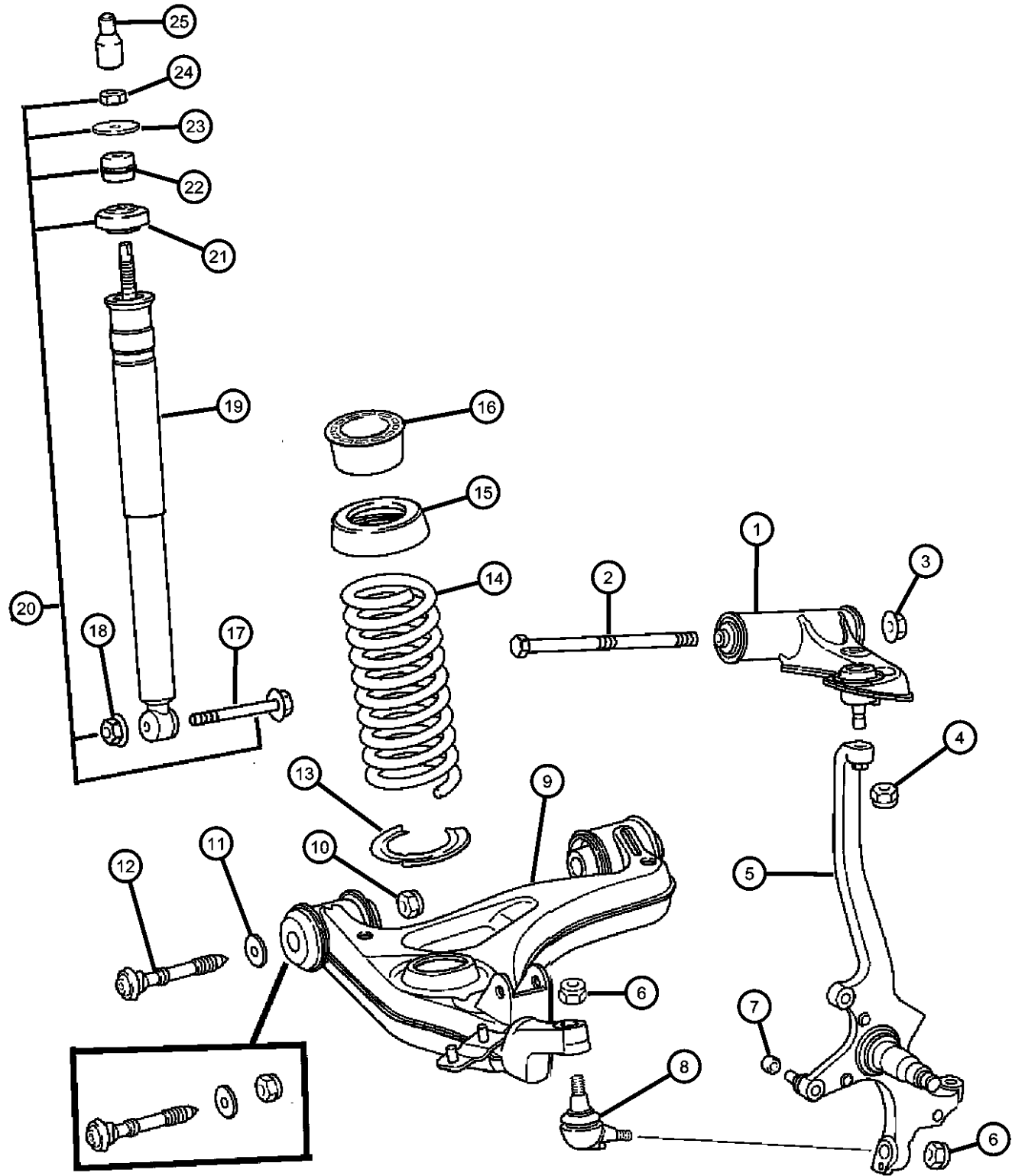
CROSSFIRE (ZH)

SERIES	LINE	BODY	ENGINE	TRANSMISSION
P = PREMIUM	C = CHRYSLER	27 = 2-DR CONVERTIBLE	EGX = 3.2L V6 SOHC 18 Valve Engine	DED = 6-Speed Manual Transmission
S = SPORT	Z = CHRYSLER (RHD)	29 = SPECIALTY COUPE		DGU = 5-Spd Auto W5J400 Transmission
X = SPECIAL				

AR = use ase required - = Non illustrated part

2007 ZH

Suspension, Front
Figure 2-120



ITEM	PART NUMBER	QTY	LINE	SERIES	BODY	ENGINE	TRANS	TRIM	DESCRIPTION
	05099899AA	1	C, Z		29	EGX	DED, DGU		Left
	05097586AA	1	C, Z		27	EGX	DED, DGU		Left
10									NUT, Hex
	05097586AA	2	C, Z		29	EGX	DED, DGU		
	05097586AA	2	C, Z		27	EGX	DED, DGU		
11									WASHER
	05099736AA	2	C, Z		29	EGX	DED, DGU		
	05099736AA	2	C, Z		27	EGX	DED, DGU		
12									SCREW
	05097558AA	2	C, Z		29	EGX	DED, DGU		
	05097558AA	2	C, Z		27	EGX	DED, DGU		
13									ISOLATOR, Spring
	05099730AA	2	C, Z		27	EGX	DED, DGU		
	05099730AA	2	C, Z		29	EGX	DED, DGU		
14									SPRING, Front Coil
	05135480AA	2	C, Z		29	EGX	DED, DGU		
	05135480AA	2	Z, C		27	EGX	DED, DGU		
15									ISOLATOR, Spring
	05102305AA	2	C, Z		29	EGX	DED, DGU		
	05102305AA	2	C, Z		27	EGX	DED, DGU		
16									SUPPORT, Shock Absorber
	05099176AA	2	C, Z		29	EGX	DED, DGU		
	05099176AA	2	C, Z		27	EGX	DED, DGU		
17									BOLT, Hex Flange Head
	05096849AA	2	C, Z		29	EGX	DED, DGU		
	05096849AA	2	C, Z		27	EGX	DED, DGU		
18									NUT
	06104716AA	4	C, Z		27	EGX	DED, DGU		
	06104716AA	4	C, Z		29	EGX	DED, DGU		
19									SHOCK ABSORBER, Suspension, Front
	05096749AA	2	C, Z		29	EGX	DED, DGU		
	05104991AA	2	C, Z		27	EGX	DED, DGU		
20	05127493AA	2	C, Z		29	EGX	DED, DGU		REPAIR KIT, Shock absorber
21									GROMMET, Shock Absorber
	05101369AA	2	C, Z		29	EGX	DED, DGU		

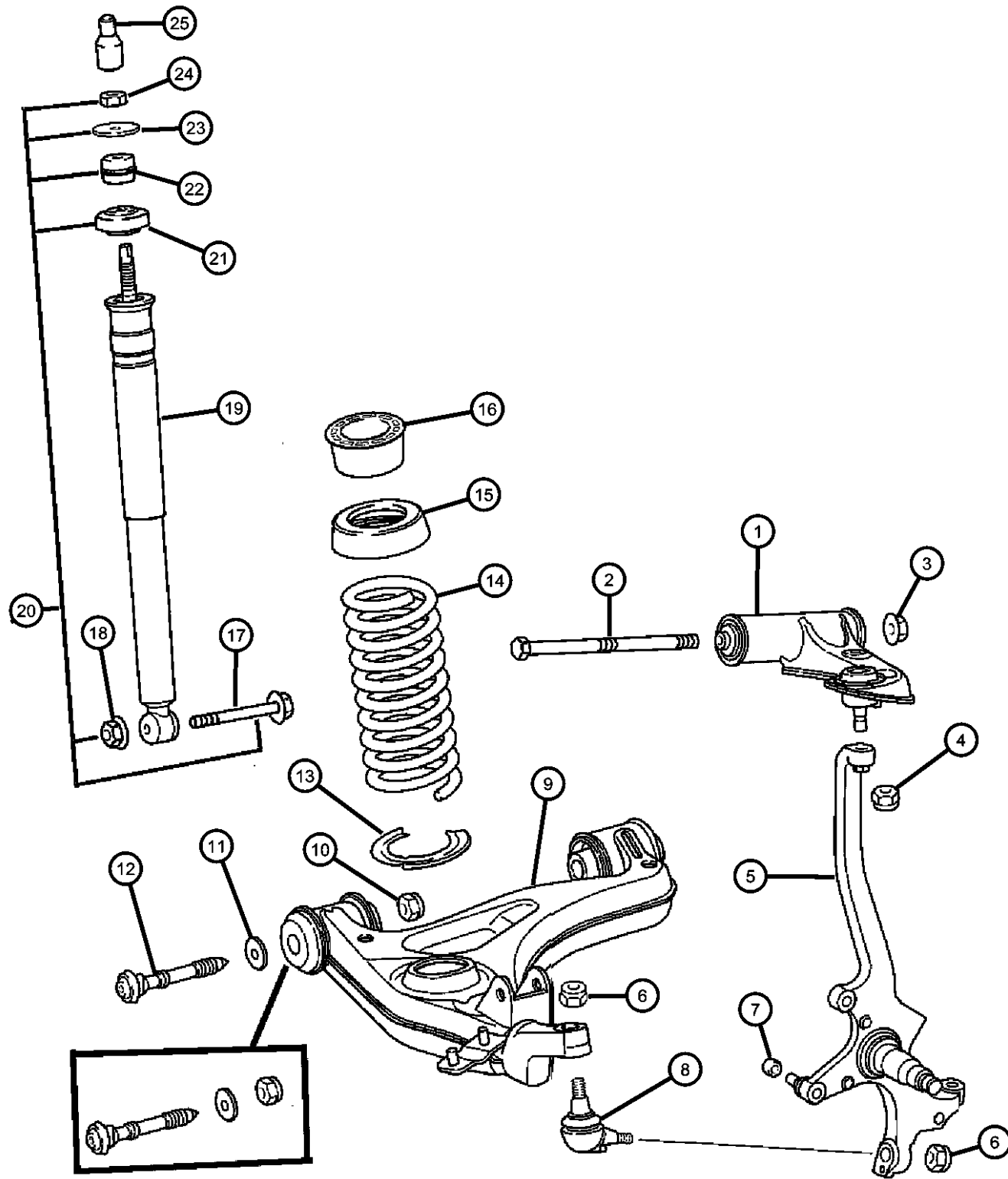
CROSSFIRE (ZH)

SERIES	LINE	BODY	ENGINE	TRANSMISSION
P = PREMIUM	C = CHRYSLER	27 = 2-DR CONVERTIBLE	EGX = 3.2L V6 SOHC 18 Valve Engine	DED = 6-Speed Manual Transmission
S = SPORT	Z = CHRYSLER (RHD)	29 = SPECIALTY COUPE		DGU = 5-Spd Auto W5J400 Transmission
X = SPECIAL				

AR = use ase required - = Non illustrated part

2007 ZH

Suspension, Front
Figure 2-120



ITEM	PART NUMBER	QTY	LINE	SERIES	BODY	ENGINE	TRANS	TRIM	DESCRIPTION
		2	C, Z		27	EGX	DED, DGU		
22	05101368AA	2	C, Z		29	EGX	DED, DGU		GROMMET, Shock Absorber
		2	C, Z		27	EGX	DED, DGU		
23	05099735AA	2	C, Z		29	EGX	DED, DGU		WASHER, Shock Absorber
		2	C, Z		27	EGX	DED, DGU		
24	05096974AA	2	C, Z		29	EGX	DED, DGU		NUT, Hex
		2	Z, C		27	EGX	DED, DGU		
25	05101244AA	2	C, Z		29	EGX	DED, DGU		CAP, Shock Absorber
		2	C, Z		27	EGX	DED, DGU		

CROSSFIRE (ZH)

SERIES	LINE	BODY	ENGINE	TRANSMISSION
P = PREMIUM	C = CHRYSLER	27 = 2-DR CONVERTIBLE	EGX = 3.2L V6 SOHC 18 Valve Engine	DED = 6-Speed Manual Transmission
S = SPORT	Z = CHRYSLER (RHD)	29 = SPECIALTY COUPE		DGU = 5-Spd Auto W5J400 Transmission
X = SPECIAL				

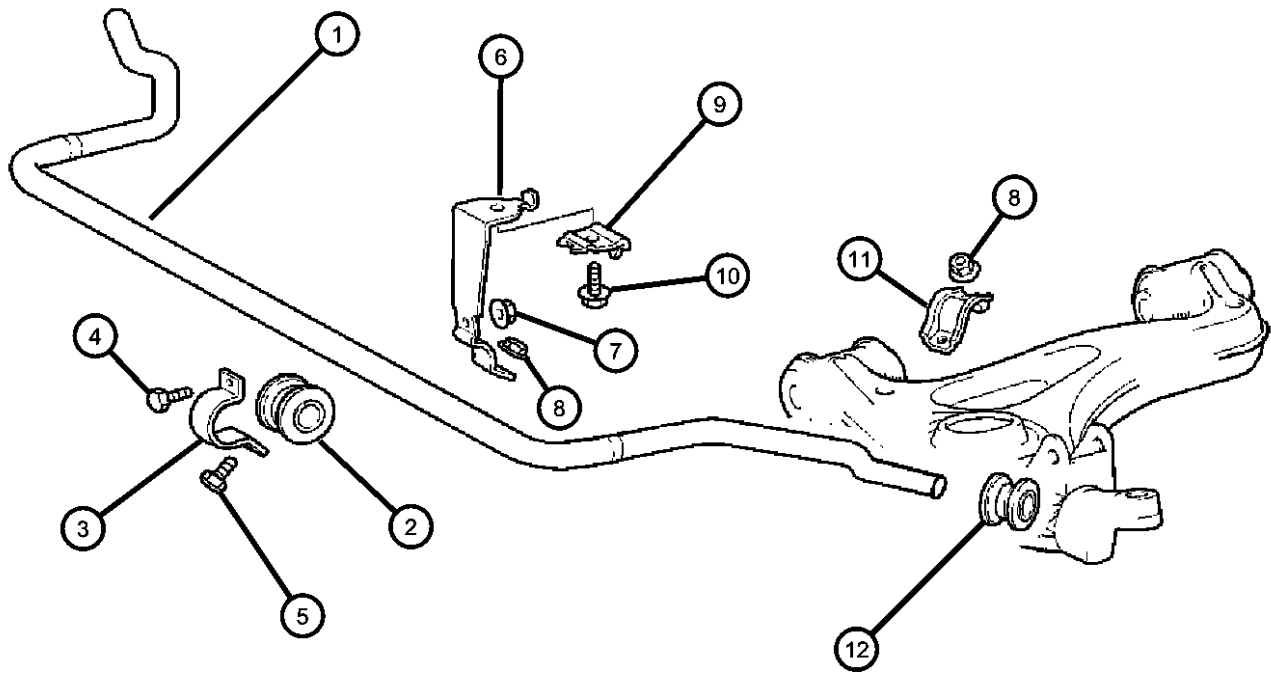
AR = use ase required - = Non illustrated part

2007 ZH

**Sway Bar, Front
Figure 2-130**

ITEM	PART NUMBER	QTY	LINE	SERIES	BODY	ENGINE	TRANS	TRIM	DESCRIPTION
1									BAR, Front Sway
	05098980AA	1	C, Z		29	EGX	DED, DGU		
		1	C, Z		27	EGX	DED, DGU		
2									CUSHION, Sway Eliminator
	05098933AA	2	C, Z		29	EGX	DED, DGU		
		2	C, Z		27	EGX	DED, DGU		
3									CLAMP, Stabilizer Bar Cushion
	05099734AA	2	C, Z		29	EGX	DED, DGU		
		2	C, Z		27	EGX	DED, DGU		
4									BOLT, Hex Head
	05097554AA	2	C, Z		29	EGX	DED, DGU		
		2	C, Z		27	EGX	DED, DGU		
5									BOLT, Hex Head
	05097554AA	2	C, Z		29	EGX	DED, DGU		
		2	C, Z		27	EGX	DED, DGU		
	06104198AA	4	C, Z		29	EGX	DGU		
		4	C, Z		27	EGX	DGU		
6									BRACKET, Stabilizer Bar
	05096864AA	1	C, Z		29	EGX	DED, DGU		
		1	C, Z		27	EGX	DED, DGU		
7									NUT, Flange
	05098117AA	2	C, Z		29	EGX	DED, DGU		
		2	C, Z		27	EGX	DED, DGU		
8									NUT
	06104716AA	4	C, Z		27	EGX	DED, DGU		
		4	C, Z		29	EGX	DED, DGU		
9									PLATE, Torsion Bar
	05098931AA	2	C, Z		29	EGX	DED, DGU		
		2	C, Z		27	EGX	DED, DGU		
10									BOLT, Hex Flange Head
	05098356AA	2	C, Z		29	EGX	DGU, DED		

Sales Codes:
 [EGX]= 3.2L V6 SOHC 18 VALVE
 [EGZ]=3.2L V6 SUPERCHARGED
 [DED]= 6-SPEED MANUAL
 [DGJ]= 5-SPD AUTO, W5A580
 [DGU]=5-SPD AUTO, W5A330



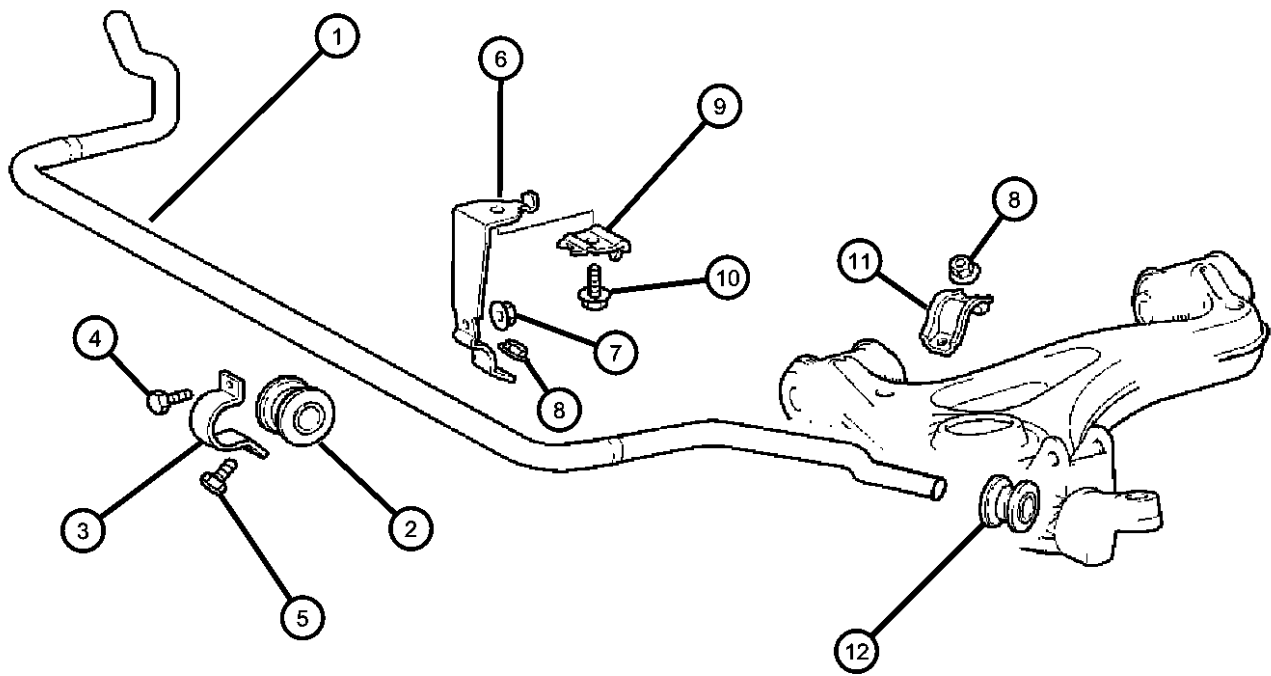
CROSSFIRE (ZH)

SERIES	LINE	BODY	ENGINE	TRANSMISSION
P = PREMIUM	C = CHRYSLER	27 = 2-DR CONVERTIBLE	EGX = 3.2L V6 SOHC 18	DED = 6-Speed Manual Transmission
S = SPORT	Z = CHRYSLER (RHD)	29 = SPECIALTY COUPE	Valve Engine	DGU = 5-Spd Auto W5J400
X = SPECIAL				Transmission

AR = use ase required - = Non illustrated part

Sway Bar, Front
Figure 2-130

ITEM	PART NUMBER	QTY	LINE	SERIES	BODY	ENGINE	TRANS	TRIM	DESCRIPTION
11		2	C, Z		27	EGX	DED, DGU		CLAMP, Stabilizer Bar
	05099731AA	2	C, Z		29	EGX	DED, DGU		
12		2	C, Z		27	EGX	DED, DGU		BUSHING, Stabilizer Bar
	05104862AA	2	C, Z		29	EGX	DED, DGU		
		2	C, Z		27	EGX	DED, DGU		



CROSSFIRE (ZH)

SERIES	LINE	BODY	ENGINE	TRANSMISSION
P = PREMIUM	C = CHRYSLER	27 = 2-DR CONVERTIBLE	EGX = 3.2L V6 SOHC 18	DED = 6-Speed Manual Transmission
S = SPORT	Z = CHRYSLER (RHD)	29 = SPECIALTY COUPE	Valve Engine	DGU = 5-Spd Auto W5J400
X = SPECIAL				Transmission

AR = use ase required - = Non illustrated part

2007 ZH

Group - 3

Rear Axle

Group - 3 Rear Axle

Illustration Title

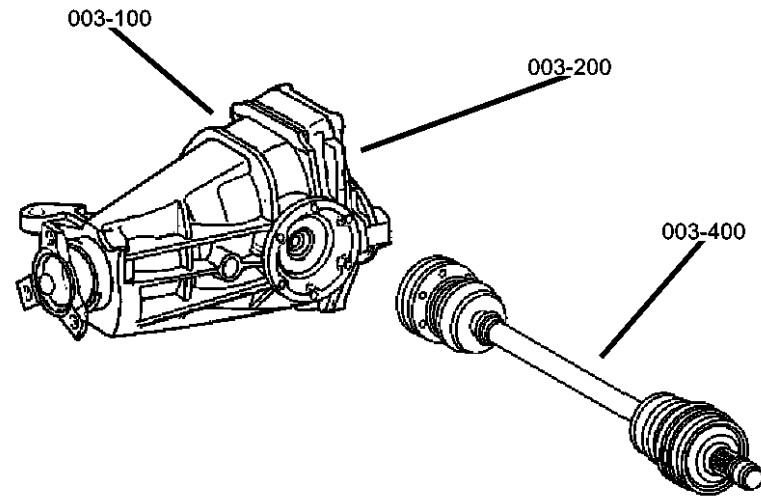
Group-Fig. No.

Differential and Housing

Housing with Differential Fig. 3 - 210

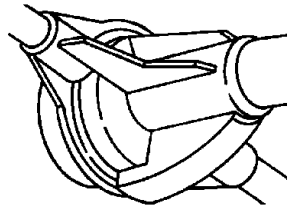
Rear Axle Shafts

Shaft, Rear Axle Fig. 3 - 410



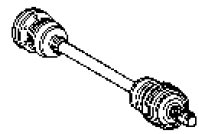
003-200

Differential and Housing

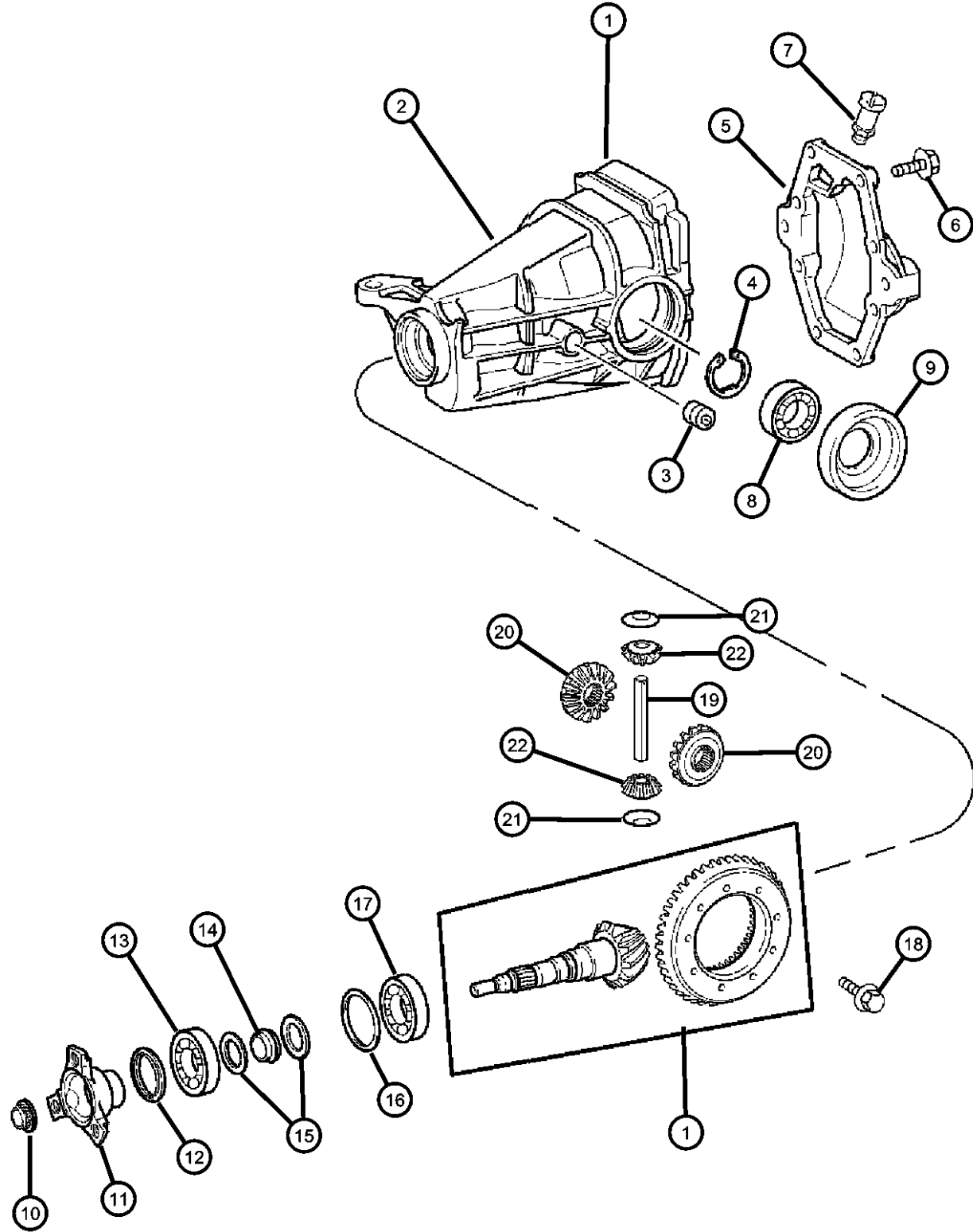


003-400

Rear Axle Shafts



Housing with Differential
Figure 3-210



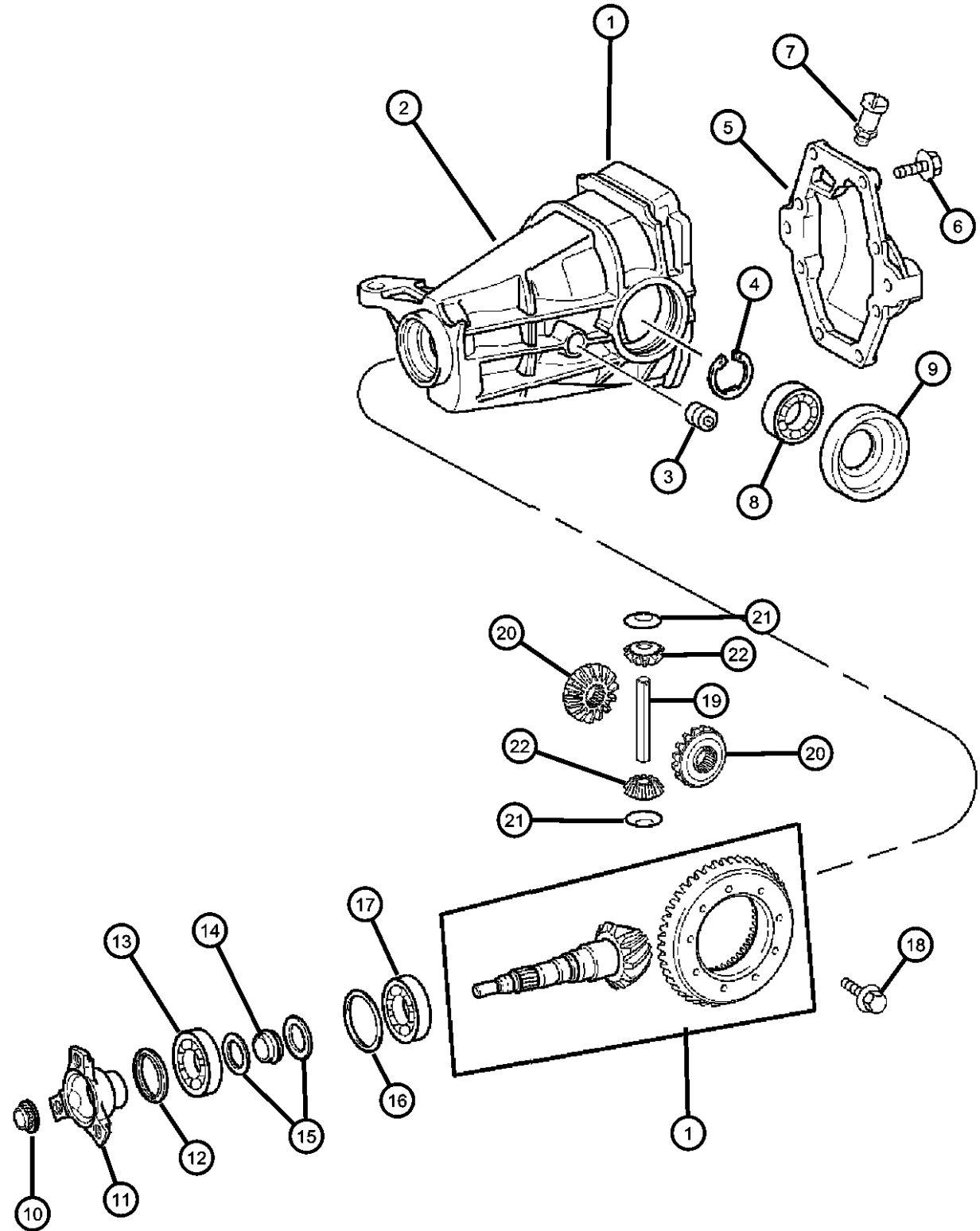
ITEM	PART NUMBER	QTY	LINE	SERIES	BODY	ENGINE	TRANS	TRIM	DESCRIPTION
1	05142715AB	1		P, S	29				DIFFERENTIAL, Rear Axle
	05136035AA	1		P, S	27				Only Serviced as a Complete Unit Mopar SAE 75W-85 Gear Lube Quart for Crossfire Axles
2	05099238AA	1	C, Z	P, S	29				HOUSING, Rear Axle
	05136035AA	1	C, Z	P, S	27				Only Serviced as a Complete Unit Mopar SAE 75W-85 Gear Lube Quart for Crossfire Axles
3	05097712AA	2	C, Z	P, S	29				PLUG, Oil Drain
		2	C, Z	P, S	27				
4	52111661AB	1		P, S	29				RETAINING RING/SHIM, Differential Bearing
		1		P, S	27				3.60MM
	52111666AB	1		P, S	29				3.60MM
		1		P, S	27				3.70MM
	52111671AB	1		P, S	29				3.70MM
		1		P, S	27				3.80MM
	52111674AB	1		P, S	29				3.80MM
		1		P, S	27				3.86MM
	52111676AB	1		P, S	29				3.86MM
		1		P, S	27				3.90MM
	52111679AB	1		P, S	29				3.90MM
		1		P, S	27				3.96MM
	52111681AB	1		P, S	29				3.96MM
		1		P, S	27				4.00MM
	52111684AB	1		P, S	29				4.00MM
		1		P, S	27				4.06MM
	52111686AB	1		P, S	29				4.06MM
		1		P, S	27				4.10MM
	52111689AB	1		P, S	29				4.10MM
		1		P, S	27				4.16MM
	52111691AB	1		P, S	29				4.16MM
		1		P, S	27				4.20MM
		1		P, S	29				4.20MM

CROSSFIRE (ZH)

SERIES	LINE	BODY	ENGINE	TRANSMISSION
P = PREMIUM	C = CHRYSLER	27 = 2-DR CONVERTIBLE	EGX = 3.2L V6 SOHC 18	DED = 6-Speed Manual Transmission
S = SPORT	Z = CHRYSLER (RHD)	29 = SPECIALTY COUPE	Valve Engine	DGU = 5-Spd Auto W5J400 Transmission
X = SPECIAL				

AR = use ase required - = Non illustrated part

Housing with Differential
Figure 3-210



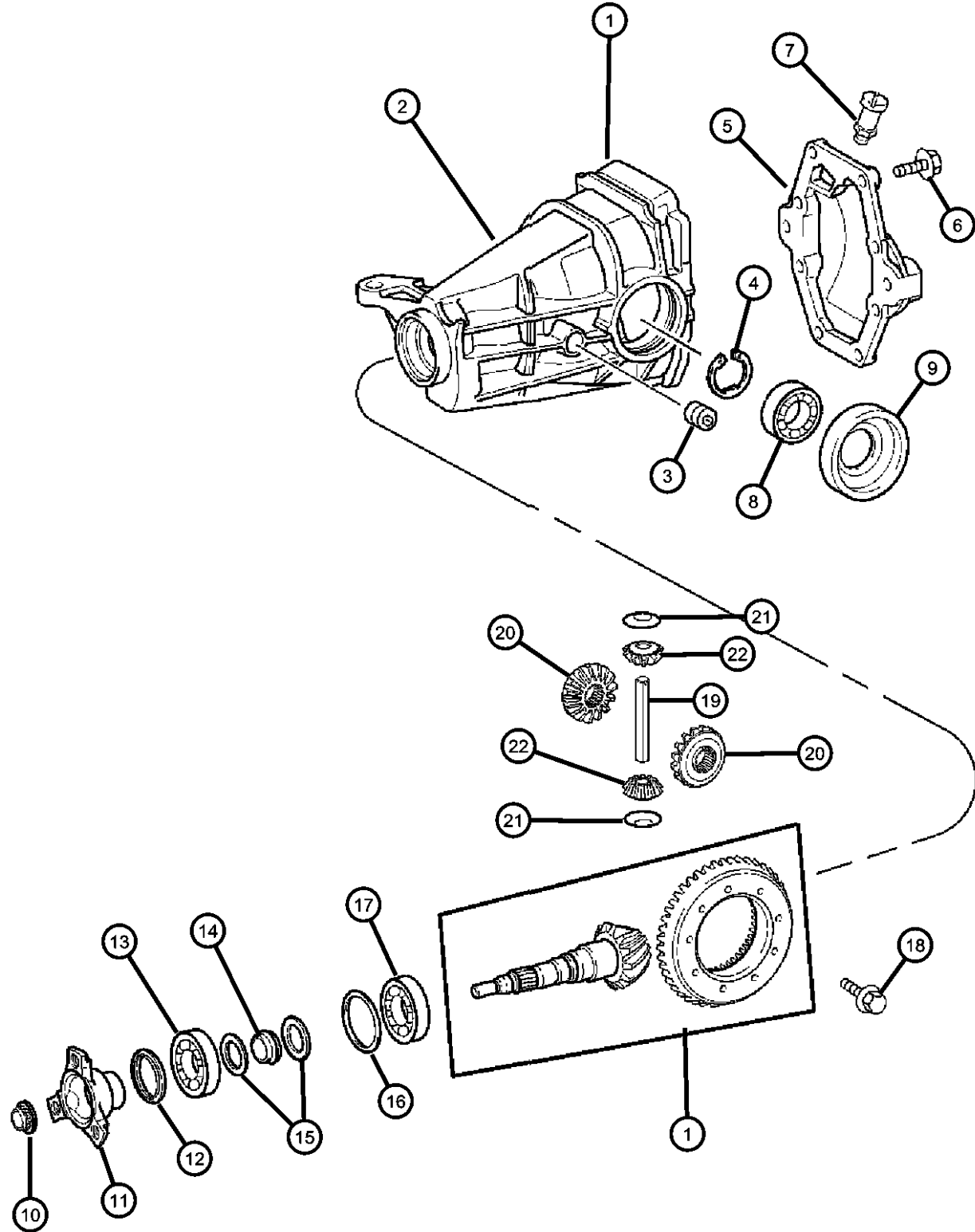
ITEM	PART NUMBER	QTY	LINE	SERIES	BODY	ENGINE	TRANS	TRIM	DESCRIPTION
	52111696AB	1		P, S	29				4.30MM
		1		P, S	27				4.30MM
	52111701AB	1		P, S	29				4.40MM
		1		P, S	27				4.40MM
	52111705AB	1		P, S	29				4.44MM
		1		P, S	27				4.44MM
	52111708AB	1		S, P	29				4.50MM
		1		P, S	27				4.50MM
5									COVER, Rear Axle
	05099802AB	1	C, Z	P, S	29				
		1	C, Z	P, S	27				
6	06104043AA	8	C, Z	P, S	29				BOLT, Hex Head
7									VENT, Axle
	52111492AA	1	C, Z	P, S	29				
		1	C, Z	P, S	27				
8									BEARING, Differential Case
	52111478AA	2	C, Z	P, S	29				
		2	C, Z	P, S	27				
9									SEAL, Oil
	05114258AA	2	C, Z	P, S	29				
		2	C, Z	P, S	27				
10									NUT
	05174162AA	1	C, Z	P, S	29				
		1	C, Z	P, S	27				
11	05114256AA	1	C, Z	P, S	29				FLANGE, Axle Output
12									SEAL
	05114255AA	1	C, Z	P, S	29				
		1	C, Z	P, S	27				
13									BEARING, Drive Pinion
	52111444AA	1	Z, C	P, S	29				
		1	C, Z	P, S	27				
14									SPACER, Drive Pinion Bearing
	52111442AA	1	C, Z	P, S	29				
		1	C, Z	P, S	27				
15									WASHER, Thrust

CROSSFIRE (ZH)

SERIES	LINE	BODY	ENGINE	TRANSMISSION
P = PREMIUM	C = CHRYSLER	27 = 2-DR CONVERTIBLE	EGX = 3.2L V6 SOHC 18	DED = 6-Speed Manual Transmission
S = SPORT	Z = CHRYSLER (RHD)	29 = SPECIALTY COUPE	Valve Engine	DGU = 5-Spd Auto W5J400
X = SPECIAL				Transmission

AR = use ase required - = Non illustrated part

Housing with Differential
Figure 3-210



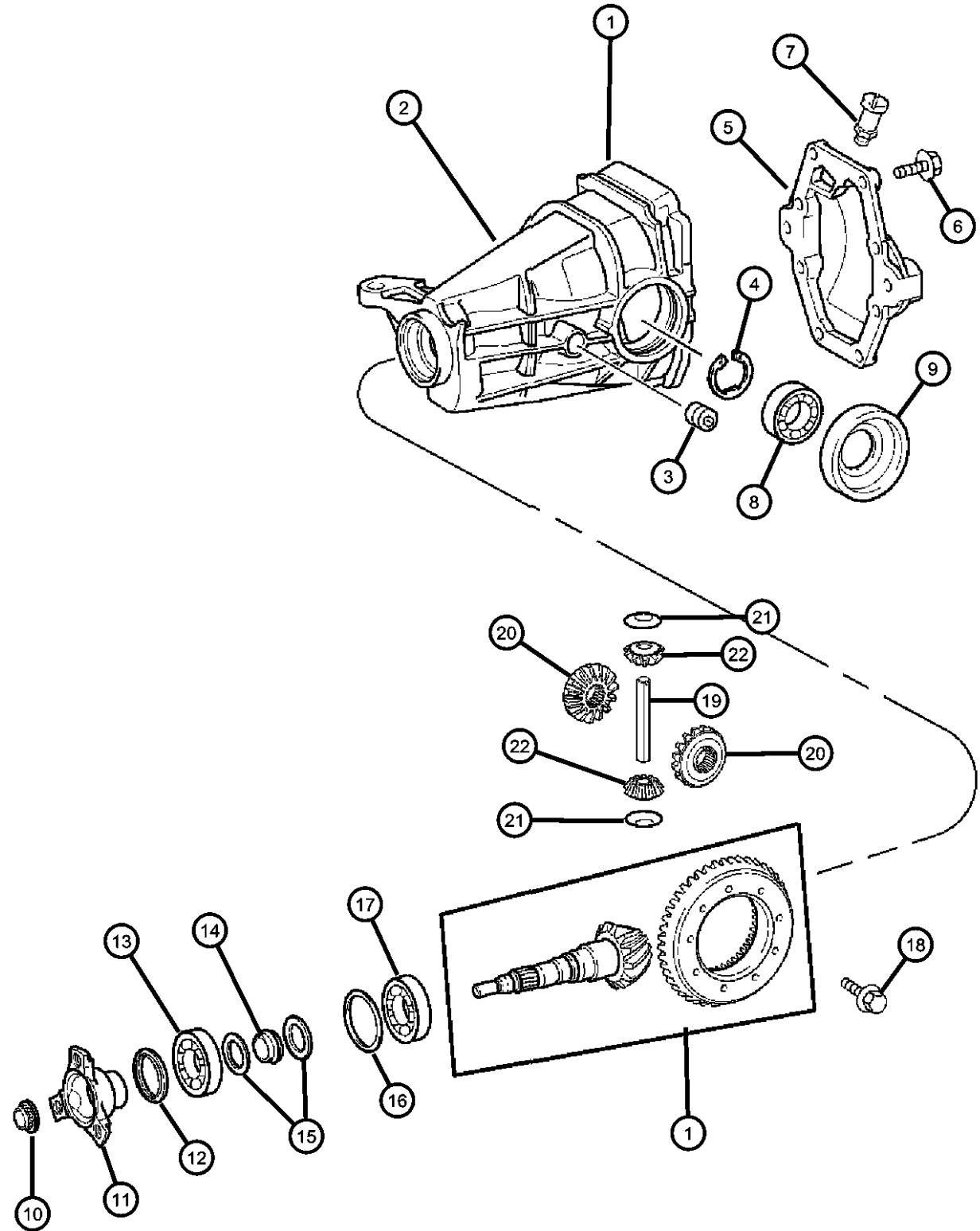
ITEM	PART NUMBER	QTY	LINE	SERIES	BODY	ENGINE	TRANS	TRIM	DESCRIPTION
	52111443AA	2	C, Z	P, S	29				
		2	C, Z	P, S	27				
16	05139417AA	1		P, S	29				SHIM, Drive Pinion Bearing 1.50MM
		1		P, S	27				1.50MM
	05139419AA	1		P, S	29				1.55MM
		1		P, S	27				1.55MM
	05139420AA	1		P, S	29				1.60MM
		1		P, S	27				1.60MM
	05139421AA	1		P, S	29				1.65MM
		1		P, S	27				1.65MM
	05139429AA	1		P, S	29				1.70MM
		1		P, S	27				1.70MM
	05139433AA	1		P, S	29				1.75MM
		1		P, S	27				1.75MM
	05139434AA	1		P, S	29				1.80MM
		1		P, S	27				1.80MM
	05139435AA	1		P, S	29				1.85MM
		1		P, S	27				1.85MM
	05139436AA	1		P, S	29				1.90MM
		1		P, S	27				1.90MM
	05139437AA	1		P, S	29				1.95MM
		1		P, S	27				1.95MM
	05139439AA	1		P, S	29				2.00MM
		1		P, S	27				2.00MM
	05139441AA	1		P, S	29				2.05MM
		1		P, S	27				2.05MM
	05139444AA	1		P, S	29				2.10MM
		1		P, S	27				2.10MM
	05139445AA	1		P, S	29				2.15MM
		1		P, S	27				2.15MM
	05139446AA	1		P, S	29				2.20MM
		1		P, S	27				2.20MM
	05139447AA	1		P, S	29				2.25MM
		1		P, S	27				2.25MM

CROSSFIRE (ZH)

SERIES	LINE	BODY	ENGINE	TRANSMISSION
P = PREMIUM	C = CHRYSLER	27 = 2-DR CONVERTIBLE	EGX = 3.2L V6 SOHC 18	DED = 6-Speed Manual Transmission
S = SPORT	Z = CHRYSLER (RHD)	29 = SPECIALTY COUPE	Valve Engine	DGU = 5-Spd Auto W5J400
X = SPECIAL				Transmission

AR = use ase required - = Non illustrated part

Housing with Differential
Figure 3-210



ITEM	PART NUMBER	QTY	LINE	SERIES	BODY	ENGINE	TRANS	TRIM	DESCRIPTION
	05139448AA	1		P, S	29				2.30MM
		1		P, S	27				2.30MM
	05139450AA	1		P, S	29				2.35MM
		1		P, S	27				2.35MM
	05139451AA	1		P, S	29				2.40MM
		1		P, S	27				2.40MM
17									BEARING, Drive Pinion
	52111439AA	1	C, Z	P, S	29				
		1	C, Z	P, S	27				
18									BOLT
	05114257AA	10	C, Z	P, S	29				
		10	C, Z	P, S	27				
19									SHAFT, Pinion Gear
	52111469AA	1	C, Z	P, S	29				
		1	C, Z	P, S	27				
20									GEAR, Differential Side
	52111466AA	2	C, Z	P, S	29				
		2	C, Z	P, S	27				
21									WASHER, Pinion Gear
	52111468AA	2	C, Z	P, S	29				
		2	C, Z	P, S	27				
22									GEAR, Differential Pinion
	52111467AA	2	C, Z	P, S	29				
		2	C, Z	P, S	27				
-23									GASKET, Rear Axle
	05139744AA	0	C, Z	P, S	29				
		0	C, Z	P, S	27				
-24									SHAFT, Pinion Gear
	52111469AA	1	C, Z	P, S	29				
		1	C, Z	P, S	27				

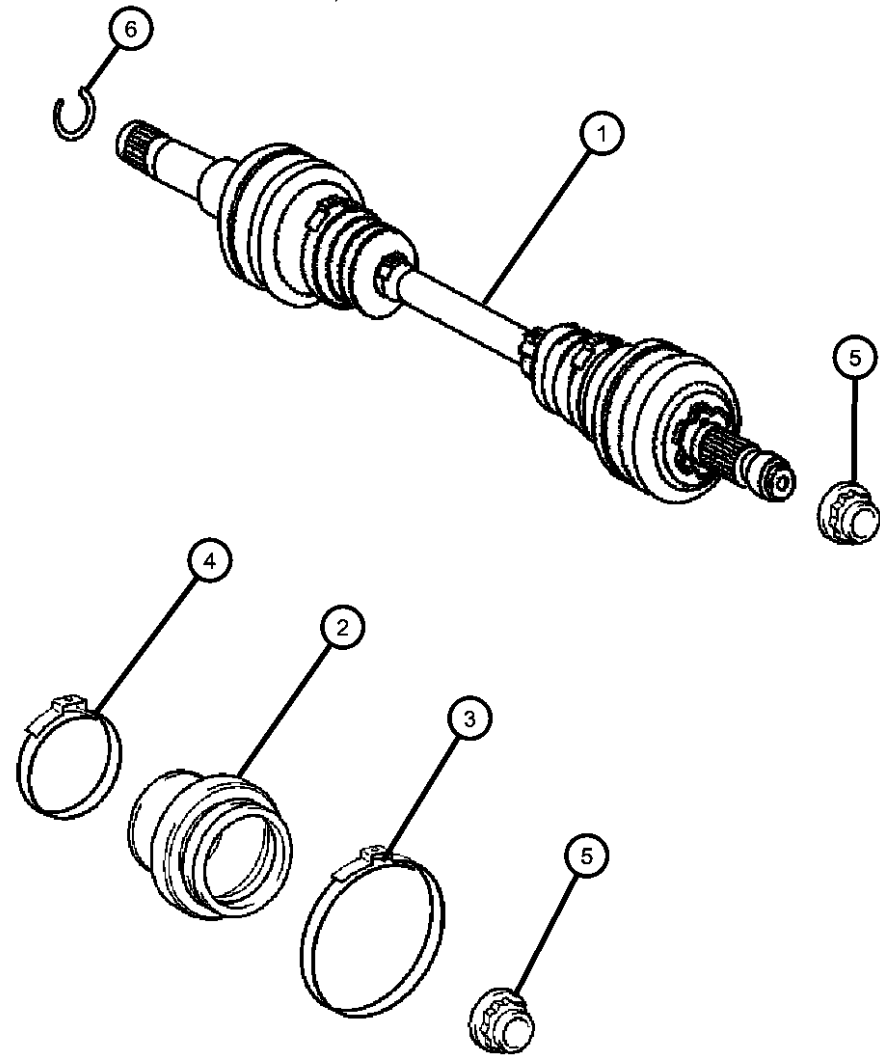
CROSSFIRE (ZH)

SERIES	LINE	BODY	ENGINE	TRANSMISSION
P = PREMIUM	C = CHRYSLER	27 = 2-DR CONVERTIBLE	EGX = 3.2L V6 SOHC 18	DED = 6-Speed Manual Transmission
S = SPORT	Z = CHRYSLER (RHD)	29 = SPECIALTY COUPE	Valve Engine	DGU = 5-Spd Auto W5J400
X = SPECIAL				Transmission

AR = use ase required - = Non illustrated part

2007 ZH

Shaft, Rear Axle
Figure 3-410



ITEM	PART NUMBER	QTY	LINE	SERIES	BODY	ENGINE	TRANS	TRIM	DESCRIPTION
1									SHAFT, Axle Half
	05140893AB	2		P, S	29				
		2		P, S	27				
2									BOOT, Axle shaft
	05114243AA	2	C, Z	S, P	29				
		2	C, Z	P, S	27				
3									CLAMP, Boot
	05114246AA	2	C, Z	P, S	29				
		2	C, Z	P, S	27				
4									CLAMP, Boot
	05114247AA	2	C, Z	P, S	29				
		2	C, Z	P, S	27				
5									NUT, Flange
	05096387AA	2	C, Z	P, S	29				
		2	C, Z	P, S	27				
6									RING, Axle Shaft
	05114252AA	1	C, Z	P, S	29				
		1	C, Z	P, S	27				
-7									COVER, Axle Shaft Dust
	05114251AA	1	C, Z	P, S	29				
		1	C, Z	P, S	27				

CROSSFIRE (ZH)

SERIES	LINE	BODY	ENGINE	TRANSMISSION
P = PREMIUM	C = CHRYSLER	27 = 2-DR CONVERTIBLE	EGX = 3.2L V6 SOHC 18	DED = 6-Speed Manual Transmission
S = SPORT	Z = CHRYSLER (RHD)	29 = SPECIALTY COUPE	Valve Engine	DGU = 5-Spd Auto W5J400
X = SPECIAL				Transmission

AR = use ase required - = Non illustrated part

2007 ZH

Group - 4

Parking Brake

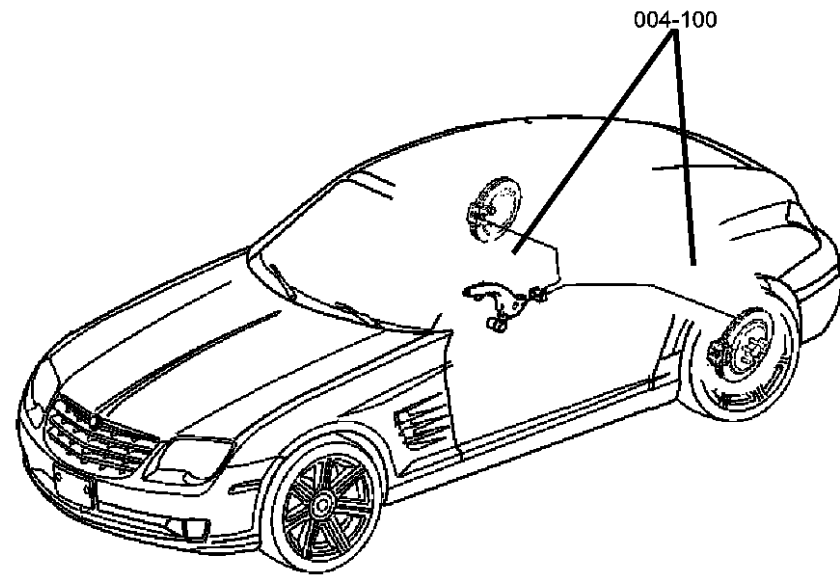
Group - 4 Parking Brake

Group-Fig. No.

Illustration Title

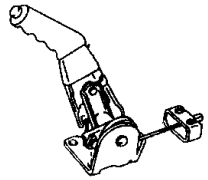
Parking Brake Lever and Cables

Lever and Cables	Fig. 4 - 110
Brake Assembly, Parking	Fig. 4 - 120

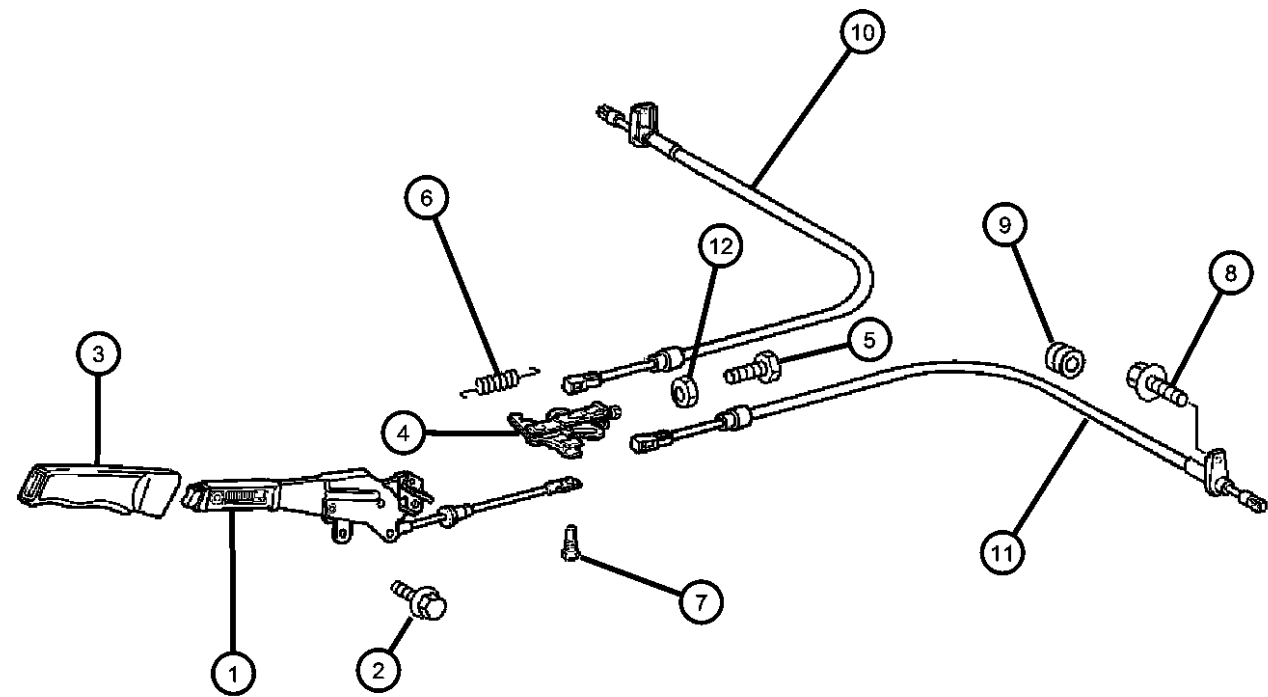


004-100

004-100
Parking Brake Lever and Cables



Lever and Cables
Figure 4-110



ITEM	PART NUMBER	QTY	LINE	SERIES	BODY	ENGINE	TRANS	TRIM	DESCRIPTION
1	05098499AA	1	C, Z		29				LEVER, Park Brake
		1	C, Z		27				
2	05098122AA	2	C, Z		29				BOLT, Brake Mounting
		2	C, Z		27				
3	05096623AA	1	C, Z		29				HANDLE, Parking Brake
		1	C, Z		27				
4	05101692AA	1	C, Z		29				ADJUSTER, Parking Brake Cable
		1	C, Z		27				
5	05098364AA	1	C, Z		29				BOLT
		1	C, Z		27				
6	05096744AA	1	C, Z		29				SPRING, Tension
		1	C, Z		27				
7	05097540AA	1	C, Z		29				SCREW, Adjusting
		1	C, Z		27				
8	05098124AA	2	C, Z		29				SCREW Cable Mounting
		2	C, Z		27				Cable Mounting
9	05097181AA	2	C, Z		29				GROMMET
		2	C, Z		27				
10	05098987AA	1	C, Z		29				CABLE, Parking Brake
		1	C, Z		27				
11	05098986AA	1	C, Z		29				CABLE, Parking Brake
		1	C, Z		27				
12	05096965AA	1	C, Z		29				NUT, Parking Brake Adjusting
		1	C, Z		27				

CROSSFIRE (ZH)

SERIES	LINE	BODY	ENGINE	TRANSMISSION
P = PREMIUM	C = CHRYSLER	27 = 2-DR CONVERTIBLE	EGX = 3.2L V6 SOHC 18	DED = 6-Speed Manual Transmission
S = SPORT	Z = CHRYSLER (RHD)	29 = SPECIALTY COUPE	Valve Engine	DGU = 5-Spd Auto W5J400
X = SPECIAL				Transmission

AR = use ase required - = Non illustrated part

**Brake Assembly, Parking
Figure 4-120**

ITEM	PART NUMBER	QTY	LINE	SERIES	BODY	ENGINE	TRANS	TRIM	DESCRIPTION
------	-------------	-----	------	--------	------	--------	-------	------	-------------

Sales Codes:
[EGX]= 3.2L V6 SOHC 18 VALVE
[EGZ]=3.2L V6 SUPERCHARGED

1									SHOE KIT, Brake
	05096552AA	4	C, Z		29				
		4	C, Z		27				
2									BUSHING, Axle Shaft
	05096554AA	2	C, Z		29				
		2	C, Z		27				
3									ADJUSTER, Brake Shoe
	05098284AA	2	C, Z		29				
		2	C, Z		27				
4									PLATE, Brake Shoe Guide
	05101691AA	2	C, Z		29				
		2	C, Z		27				
5									PIN, PIN
	05098414AA	2	C, Z		29				
		2	C, Z		27				
6									BOLT, Brake Mounting
	05097539AA	1	C, Z		29				
		1	C, Z		27				
7									SPRING, Brake Shoe Return
	05098067AA	2	C, Z		29				
		2	C, Z		27				
8									SPRING, Brake Shoe to Shoe
	05166729AA	2	C, Z		27				
		2	C, Z		29				
9									PLATE, Brake Backing
	05098761AA	1	C, Z		29				Left
		1	C, Z		27				Left
	05098762AA	1	C, Z		29				Right
		1	C, Z		27				Right
10									SPRING, Brake Shoe Hold Down
	05098005AA	4	C, Z		29				
		4	C, Z		27				
11									BOLT, Hex Flange Head

CROSSFIRE (ZH)

SERIES	LINE	BODY	ENGINE	TRANSMISSION
P = PREMIUM	C = CHRYSLER	27 = 2-DR CONVERTIBLE	EGX = 3.2L V6 SOHC 18	DED = 6-Speed Manual Transmission
S = SPORT	Z = CHRYSLER (RHD)	29 = SPECIALTY COUPE	Valve Engine	DGU = 5-Spd Auto W5J400
X = SPECIAL				Transmission

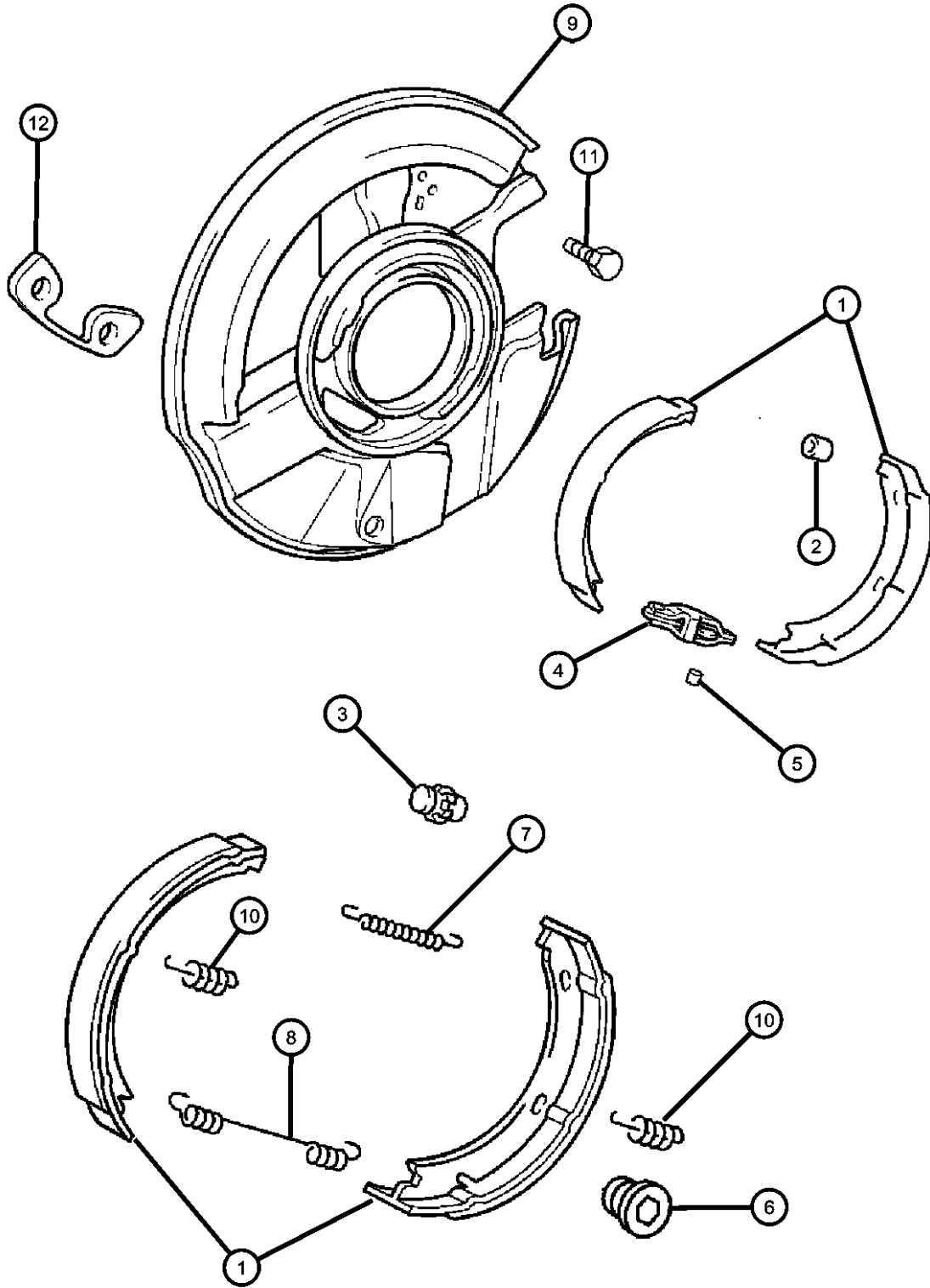
AR = use ase required - = Non illustrated part

2007 ZH

Brake Assembly, Parking
Figure 4-120

ITEM	PART NUMBER	QTY	LINE	SERIES	BODY	ENGINE	TRANS	TRIM	DESCRIPTION
------	-------------	-----	------	--------	------	--------	-------	------	-------------

	05098121AA	3	C, Z		27				
		3	C, Z		29				
12	05096818AA	1	C, Z		29				GASKET
		1	C, Z		27				



CROSSFIRE (ZH)

SERIES	LINE	BODY	ENGINE	TRANSMISSION
P = PREMIUM	C = CHRYSLER	27 = 2-DR CONVERTIBLE	EGX = 3.2L V6 SOHC 18	DED = 6-Speed Manual Transmission
S = SPORT	Z = CHRYSLER (RHD)	29 = SPECIALTY COUPE	Valve Engine	DGU = 5-Spd Auto W5J400
X = SPECIAL				Transmission

AR = use ase required - = Non illustrated part

2007 ZH

Group - 5

Service Brakes

Group - 5 Service Brakes

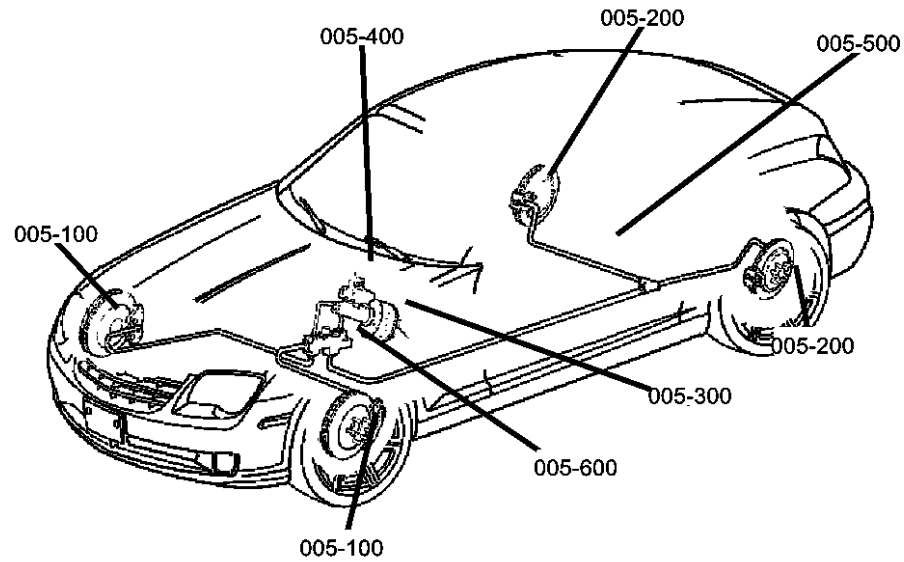


Illustration Title

Group-Fig. No.

Front Brakes

Brakes, Front Fig. 5 - 110

Rear Brakes

Brakes, Rear Disc Fig. 5 - 210

Power Brake Booster

Booster, Power Brake Fig. 5 - 310

Brake Master Cylinder

Master Cylinder, Brake Fig. 5 - 410

Anti-Lock Brakes, Control Unit Fig. 5 - 420

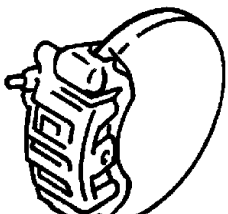
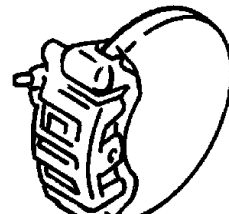
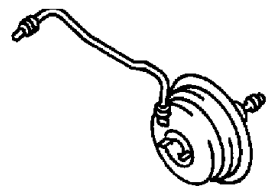
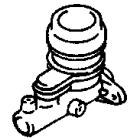
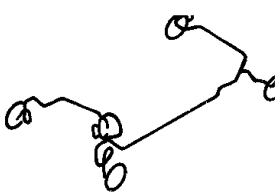

Brake Lines and Hoses

Lines and Hoses, Front Brakes Fig. 5 - 510

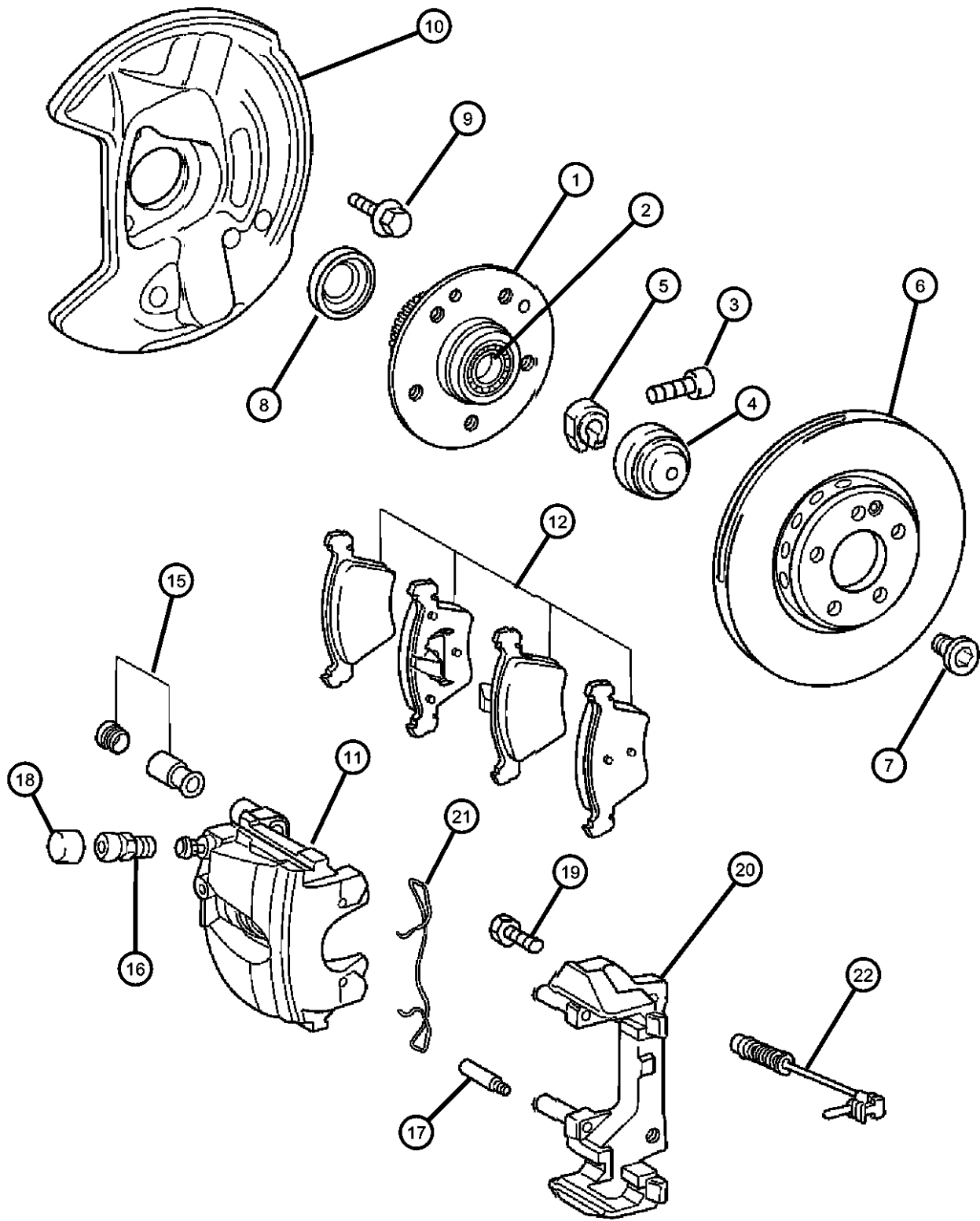
Lines and Hoses, Rear Brakes Fig. 5 - 520

Brake Pedals

Pedal, Brake Fig. 5 - 610

<p>005-100 Front Brakes</p> 	<p>005-200 Rear Brakes</p> 	<p>005-300 Power Brake Booster</p> 	<p>005-400 Brake Master Cylinder</p> 
<p>005-500 Brake Lines and Hoses</p> 	<p>005-600 Brake Pedals</p> 		

Brakes, Front
Figure 5-110



ITEM	PART NUMBER	QTY	LINE	SERIES	BODY	ENGINE	TRANS	TRIM	DESCRIPTION
------	-------------	-----	------	--------	------	--------	-------	------	-------------

Sales Codes:
[EGX]=3.2L V6 SOHC 18 VALVE
[EGZ]=3.2L V6 SUPERCHARGED

1	05097607AA	1	C, Z		27				HUB, Front Wheel With ABS
	05099235AA	1	C, Z		29				Without ABS
		1	C, Z		27				Without ABS
		1	C, Z		29				With ABS
2									BEARING, Wheel Hub
	05097737AA	1	C, Z		29				Left
		1	C, Z		27				Left
	05097738AA	1	C, Z		29				Right
		1	C, Z		27				Right
3									SCREW
	05104617AA	1	C, Z		29				
		1	C, Z		27				
4									CAP, Wheel Bearing
	05101732AA	1	C, Z		29				
		1	C, Z		27				
5									NUT
	05097843AA	1	C, Z		29				
		1	C, Z		27				
6									ROTOR, Brake
	05098064AA	1	C, Z		29				
		1	C, Z		27				
7									BOLT, Brake Mounting
	05097539AA	1	C, Z		29				
		1	C, Z		27				
8									SEAL, Hub
	05099837AA	1	C, Z		29				
		1	C, Z		27				
9									BOLT, Hex Flange Head
	05098121AA	3	C, Z		29				
		3	C, Z		27				
10									PLATE, Backing
	05096878AA	1	C, Z		29				Right

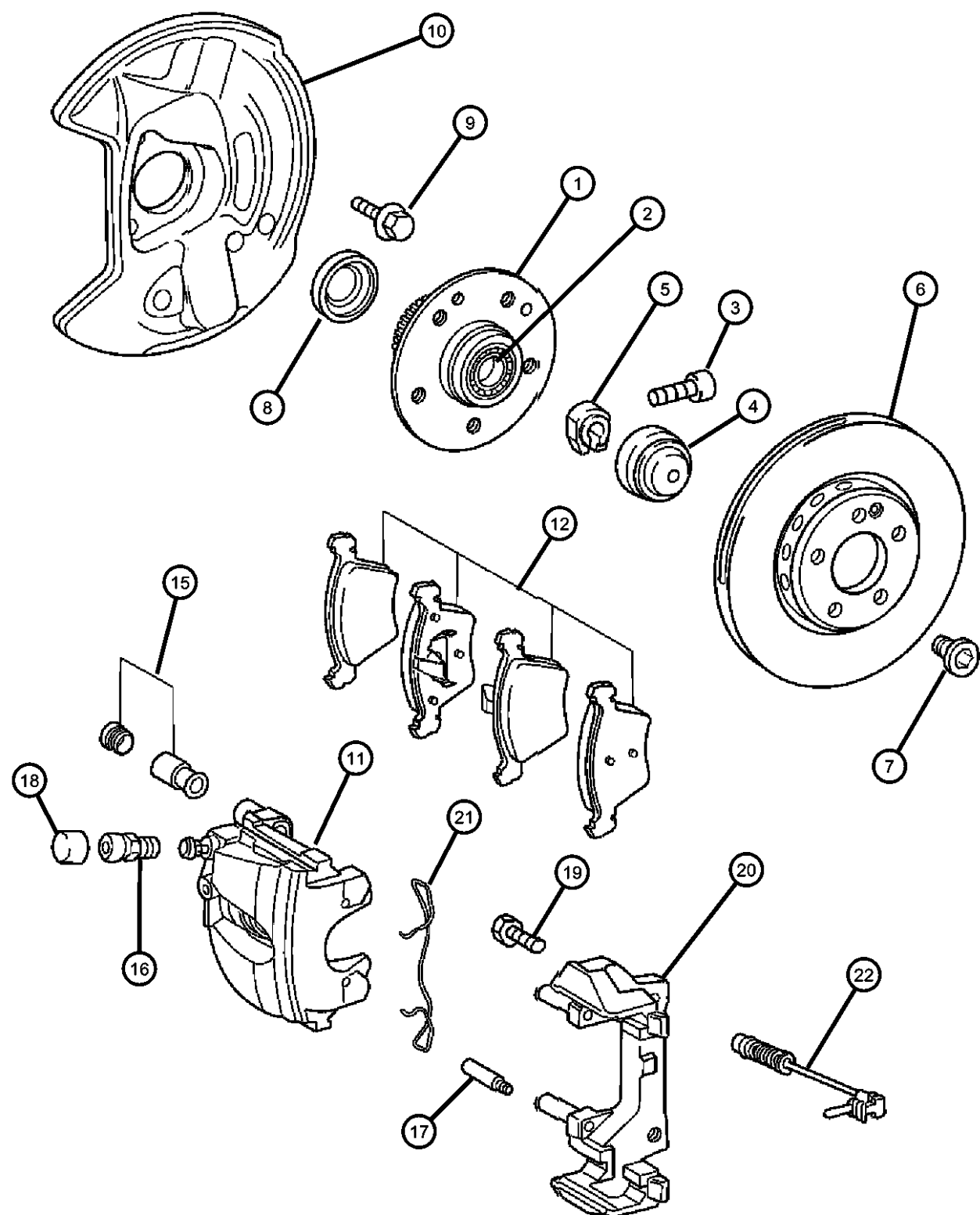
CROSSFIRE (ZH)

SERIES	LINE	BODY	ENGINE	TRANSMISSION
P = PREMIUM	C = CHRYSLER	27 = 2-DR CONVERTIBLE	EGX = 3.2L V6 SOHC 18	DED = 6-Speed Manual Transmission
S = SPORT	Z = CHRYSLER (RHD)	29 = SPECIALTY COUPE	Valve Engine	DGU = 5-Spd Auto W5J400
X = SPECIAL				Transmission

AR = use ase required - = Non illustrated part

2007 ZH

Brakes, Front
Figure 5-110



ITEM	PART NUMBER	QTY	LINE	SERIES	BODY	ENGINE	TRANS	TRIM	DESCRIPTION
		1	C, Z		27				Right
	05096879AA	1	C, Z		29				Left
		1	C, Z		27				Left
11									CALIPER, Disc Brake
	05139586AA	1			29				Right
		1			27				Right
	05139587AA	1			29				Left
		1			27				Left
12									PAD KIT, Front Disc Brake
	05139218AA	1			29				
		1			27				
-13									REPAIR KIT, Caliper
	05126318AA	1	C, Z		27				
		1	C, Z		29				
-14									PIN KIT, Disc Brake
	05103632AA	1			29				
		1			27				
15									BUSHING, Caliper
	05114556AA	1	C, Z		29				
		1	C, Z		27				
16									BLEEDER SCREW, Brake
	05114565AC	1			29				
		1			27				
17									SLEEVE, Brake Caliper
	05096906AA	2	C, Z		29				
		2	C, Z		27				
18		2							CAP, Bleeder, (NOT SERVICED)
19									BOLT, Hex Head
	05097199AA	2	C, Z		29				
		2	C, Z		27				
20									ADAPTER, Disc Brake Caliper
	05143221AA	1	C, Z		29				
		1	C, Z		27				
21									CLIP, Brake Caliper
	05114564AB	1	C, Z		29				

CROSSFIRE (ZH)

SERIES	LINE	BODY	ENGINE	TRANSMISSION
P = PREMIUM	C = CHRYSLER	27 = 2-DR CONVERTIBLE	EGX = 3.2L V6 SOHC 18	DED = 6-Speed Manual Transmission
S = SPORT	Z = CHRYSLER (RHD)	29 = SPECIALTY COUPE	Valve Engine	DGU = 5-Spd Auto W5J400
X = SPECIAL				Transmission

AR = use ase required - = Non illustrated part