

VIN PLATE DECODING INFORMATION

1	2	3	4	5	6	7	8	9	10	11	12 thru 17
Country	Make	Vehicle Type	Other	Line	Series	Body Style	Engine	Check Digit	Model Year	Assy. Plant	Sequence No.

The following table interprets the VIN Plate position shown above.

Position	Interpretation	Codes = Description
1	Country of Origin	4 = Built in Germany
2	Assembler	C = Chrysler
3	Vehicle Type	3 = Passenger
4	GVWR & Pass. Safety	A = Restraint System Active Front & Side Air Bags (CGS) B = Restraint System Manual/Active Uni-belt (CGA) D = Restraint System w/o Air Bags (CGJ) E = Restraint System Active Driver & Passenger Air Bags (CGW)
5	Vehicle Line	N = Crossfire (LHD) P = Crossfire (RHD)
6	Series	5 = Premium
7	Body Style	6 = Crossfire (29)
8	Engine	L = 3.2L V6 18V SOHC (EGX) N = 3.2L V6 Supercharged (EGZ)
9	Check Digit	0 = Check Digit 0 = Check Digit
10	Model Year	6 = 2006
11	Assembly Plant	X = Karmann - Osnabrueck
12 thru 17	Vehicle Build Sequence	Model Year Assembly Sequence

Group - 2

Front Suspension & Drive

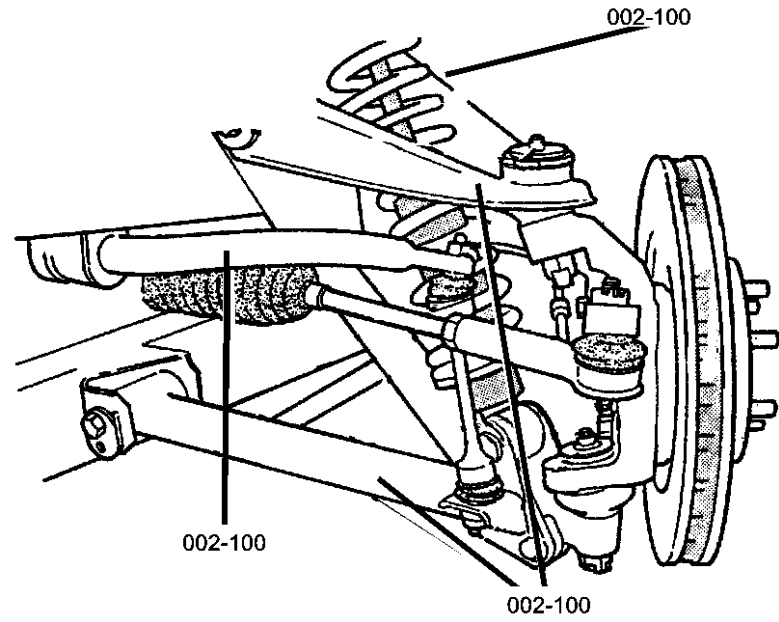
Group - 2 Front Suspension & Drive

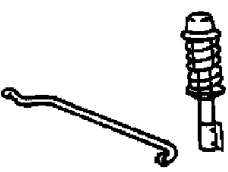
Illustration Title

Group-Fig. No.

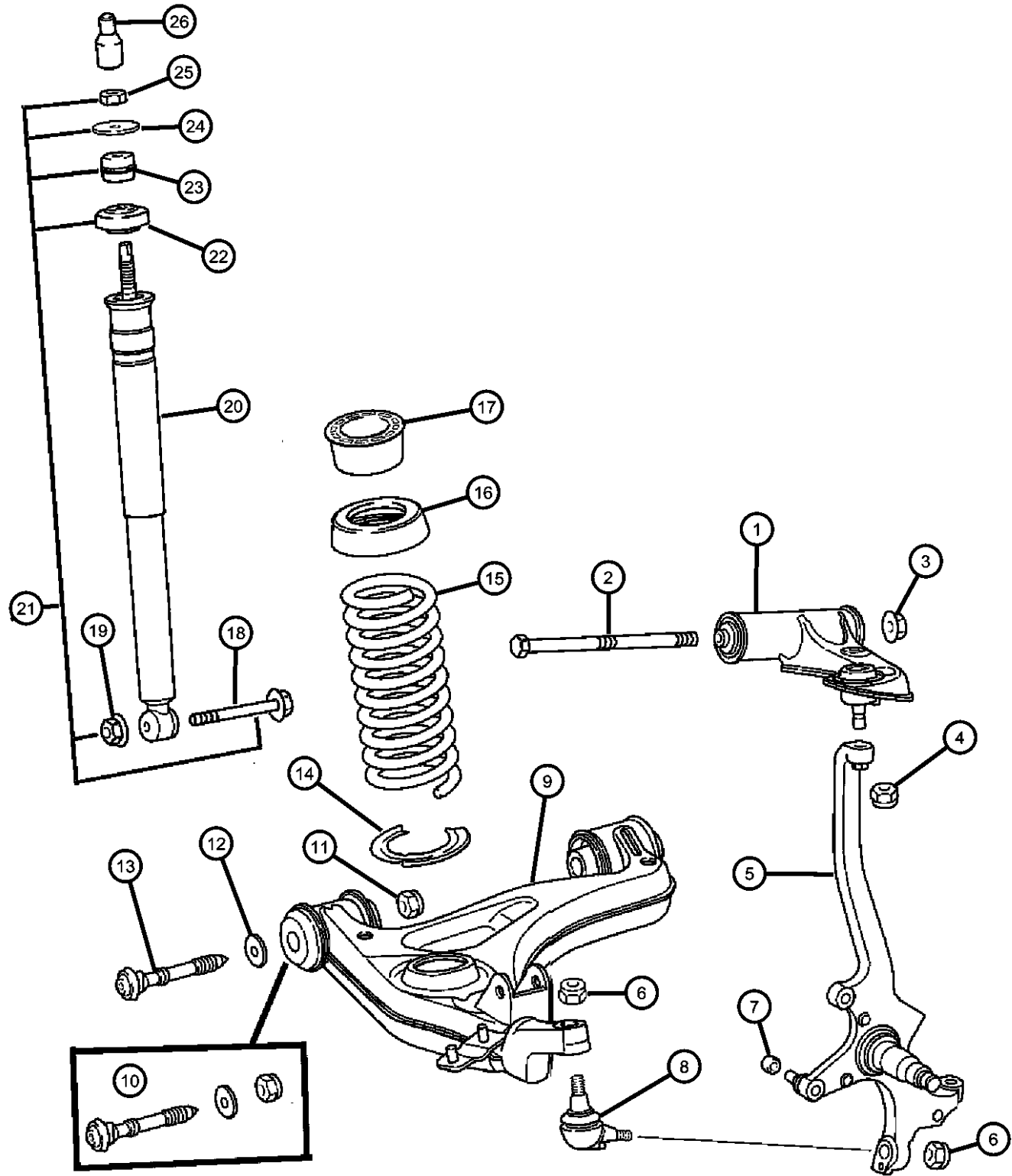
Front Suspension

Suspension, Front..... Fig. 2 - 120
 Sway Bar, Front Fig. 2 - 130



<p>002-100 Front Suspension</p> 			
---	--	--	--

Suspension, Front
Figure 2-120



ITEM	PART NUMBER	QTY	LINE	SERIES	BODY	ENGINE	TRANS	TRIM	DESCRIPTION
------	-------------	-----	------	--------	------	--------	-------	------	-------------

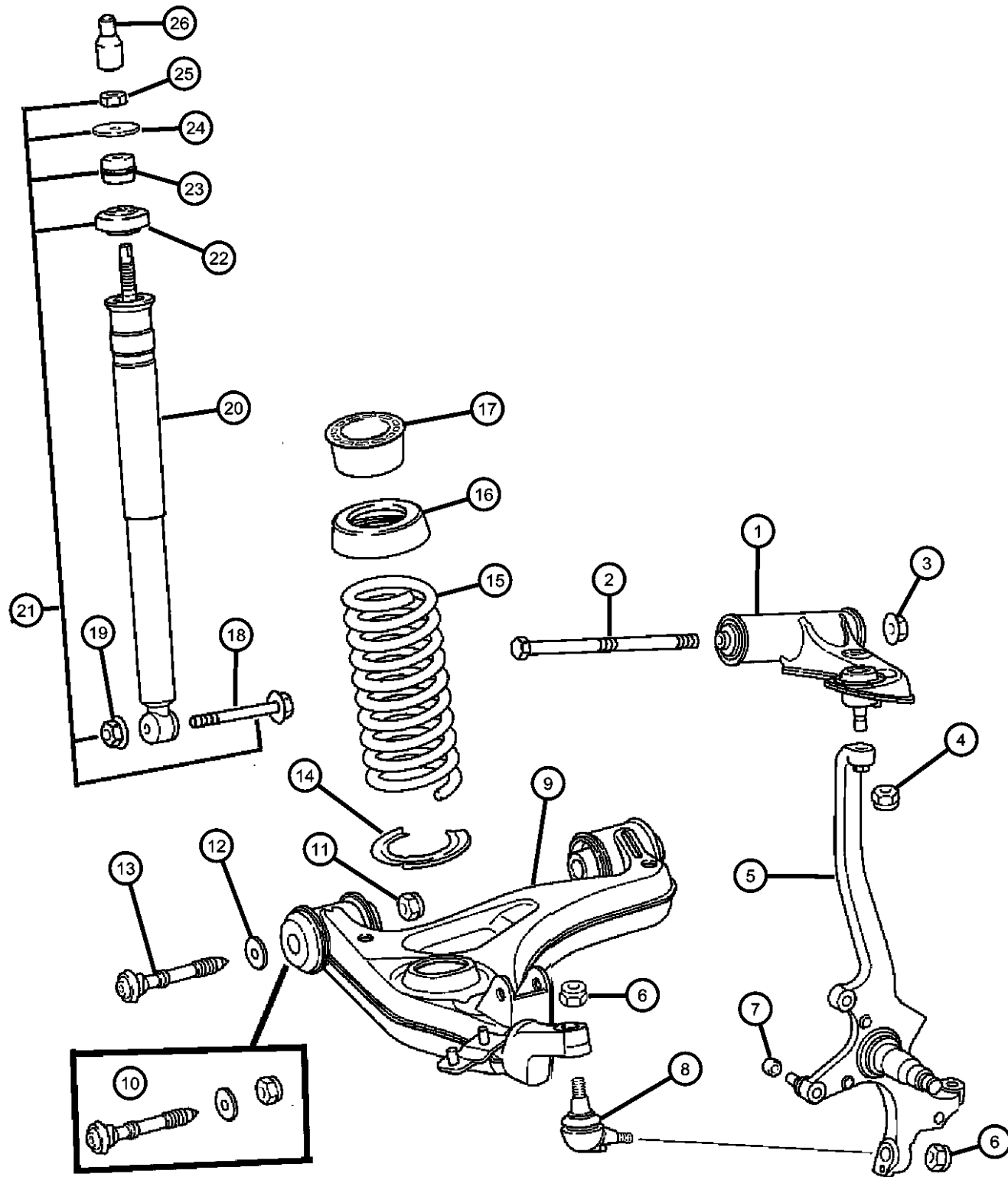
Sales Codes:
 [EGX]=3.2L V6 SOHC 18 VALVE
 [EGZ]= 3.2L V6 SUPERCHARGED
 [DED]= 6-SPEED MANUAL
 [DGJ]=5-SPD AUTO, W5A580
 [DGU]=5-SPD AUTO, W5A330

1									ARM, Upper Control, Front
	05101056AA	1	C, Z		29	EGX, EGZ	DED, DGJ, DGU		Right
		1	C, Z		27	EGX, EGZ	DED, DGJ, DGU		Right
	05101057AA	1	C, Z		29	EGX, EGZ	DED, DGJ, DGU		Left
		1	C, Z		27	EGX, EGZ	DED, DGJ, DGU		Left
2									BOLT
	05097584AA	1	C, Z		29	EGX, EGZ	DED, DGJ, DGU		
		1	C, Z		27	EGX, EGZ	DED, DGJ, DGU		
3									NUT, Hex Flange, M10x1.5
	06104717AA	1	C, Z		29	EGX, EGZ	DED, DGJ, DGU		
		1	C, Z		27	EGX, EGZ	DED, DGJ, DGU		
4									NUT
	05097588AA	1	C, Z		29	EGX, EGZ	DED, DGJ, DGU		
		1	C, Z		27	EGX, EGZ	DGJ, DGU, DED		
5									KNUCKLE, Front
	05097556AA	1	C, Z		29	EGX, EGZ	DED, DGJ, DGU		
		1	C, Z		27	EGX, EGZ	DED, DGJ, DGU		
6									NUT, Hex
	05097586AA	2	C, Z		29	EGX, EGZ	DED, DGJ, DGU		
		2	C, Z		27	EGX, EGZ	DED, DGJ, DGU		
7									CAP, Bolt Cover
	05101546AA	1	C, Z		29	EGX, EGZ	DED, DGJ, DGU		
		1	C, Z		27	EGX, EGZ	DED, DGJ, DGU		

CROSSFIRE (ZH)
 SERIES LINE BODY ENGINE TRANSMISSION
 P = PREMIUM C = CHRYSLER 27 = 2-DR CONVERTIBLE EGX = 3.2L V6 SOHC 18 DED = 6-Speed Manual Transmission
 S = SPORT Z = CHRYSLER (RHD) 29 = SPECIALTY COUPE Valve Engine DGJ = 5-Speed Automatic MB
 X = SPECIAL EGZ = 3.2L V6 Supercharged Engine DGU = 5-Spd Auto W5A330 Transmission

AR = use ase required - = Non illustrated part

Suspension, Front
Figure 2-120



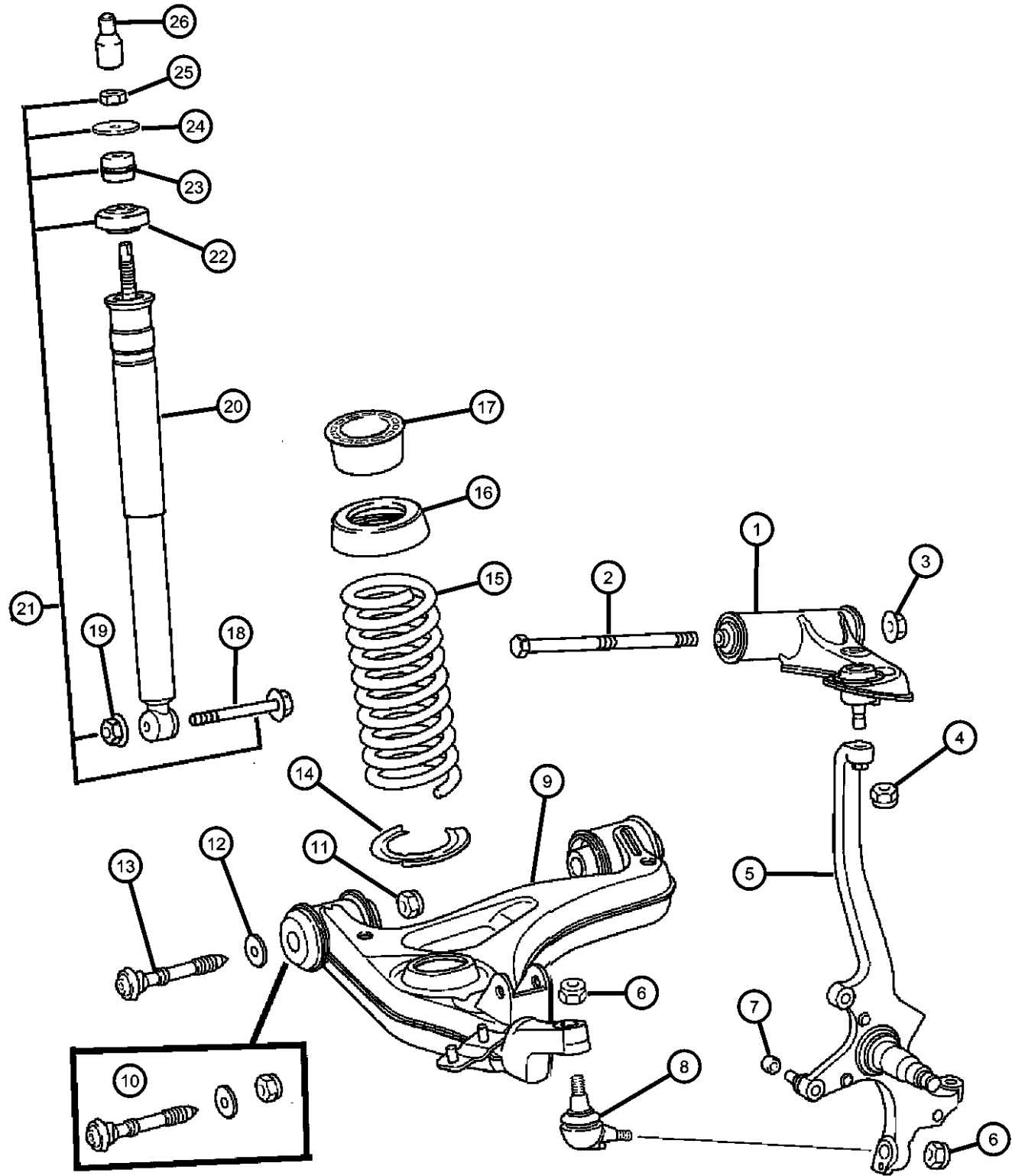
ITEM	PART NUMBER	QTY	LINE	SERIES	BODY	ENGINE	TRANS	TRIM	DESCRIPTION
8									BALL JOINT, Lower Control Arm
	05099237AB	1	C, Z		29	EGX, EGZ	DED, DGJ, DGU		
		1	C, Z		27	EGX, EGZ	DGJ, DGU, DED		
9									ARM, Lower Control, Front
	05099899AA	1	C, Z		29	EGX, EGZ	DED, DGJ, DGU		Right
		1	C, Z		27	EGX, EGZ	DED, DGJ, DGU		Right
	05099898AA	1	C, Z		29	EGX, EGZ	DED, DGJ, DGU		Left
		1	C, Z		27	EGX, EGZ	DED, DGJ, DGU		Left
10									BOLT KIT, Camber Adjustment
	05140876AA	2	C, Z		29	EGX, EGZ	DED, DGJ, DGU		
		2	C, Z		27	EGX, EGZ	DED, DGJ, DGU		
11									NUT, Hex
	05097586AA	2	C, Z		29	EGX, EGZ	DED, DGJ, DGU		
		2	C, Z		27	EGX, EGZ	DED, DGJ, DGU		
12									WASHER
	05099736AA	2	C, Z		29	EGX, EGZ	DED, DGJ, DGU		
		2	C, Z		27	EGX, EGZ	DED, DGJ, DGU		
13									SCREW
	05097558AA	2	C, Z		29	EGX, EGZ	DED, DGJ, DGU		
		2	C, Z		27	EGX, EGZ	DED, DGJ, DGU		
14									ISOLATOR, Spring
	05099730AA	2	C, Z		29	EGX, EGZ	DED, DGJ, DGU		
		2	C, Z		27	EGX, EGZ	DED, DGJ, DGU		
15									SPRING, Front Coil
	05135480AA	2	C, Z		29	EGX	DED, DGU		Front Coil
		2	C, Z		27	EGX	DED, DGU		Front Coil
	05142010AA	2	C, Z		27	EGZ	DGJ		Front Coil

CROSSFIRE (ZH)

SERIES	LINE	BODY	ENGINE	TRANSMISSION
P = PREMIUM	C = CHRYSLER	27 = 2-DR CONVERTIBLE	EGX = 3.2L V6 SOHC 18 Valve Engine	DED = 6-Speed Manual Transmission
S = SPORT	Z = CHRYSLER (RHD)	29 = SPECIALTY COUPE	EGZ = 3.2L V6 Supercharged Engine	DGJ = 5-Speed Automatic MB Transmission
X = SPECIAL				DGU = 5-Spd Auto W5A330 Transmission

AR = use ase required - = Non illustrated part

Suspension, Front
Figure 2-120



ITEM	PART NUMBER	QTY	LINE	SERIES	BODY	ENGINE	TRANS	TRIM	DESCRIPTION
	05099735AA	2	C, Z		29	EGX, EGZ	DED, DGJ, DGU		
		2	C, Z		27	EGX, EGZ	DED, DGJ, DGU		
25	05096974AA	2	C, Z		29	EGX, EGZ	DED, DGJ, DGU		NUT, Hex
		2	C, Z		27	EGX, EGZ	DED, DGJ, DGU		
26	05101244AA	2	C, Z		29	EGX, EGZ	DED, DGJ, DGU		CAP, Shock Absorber
		2	C, Z		27	EGZ, EGX	DGU, DED, DGJ		

CROSSFIRE (ZH)

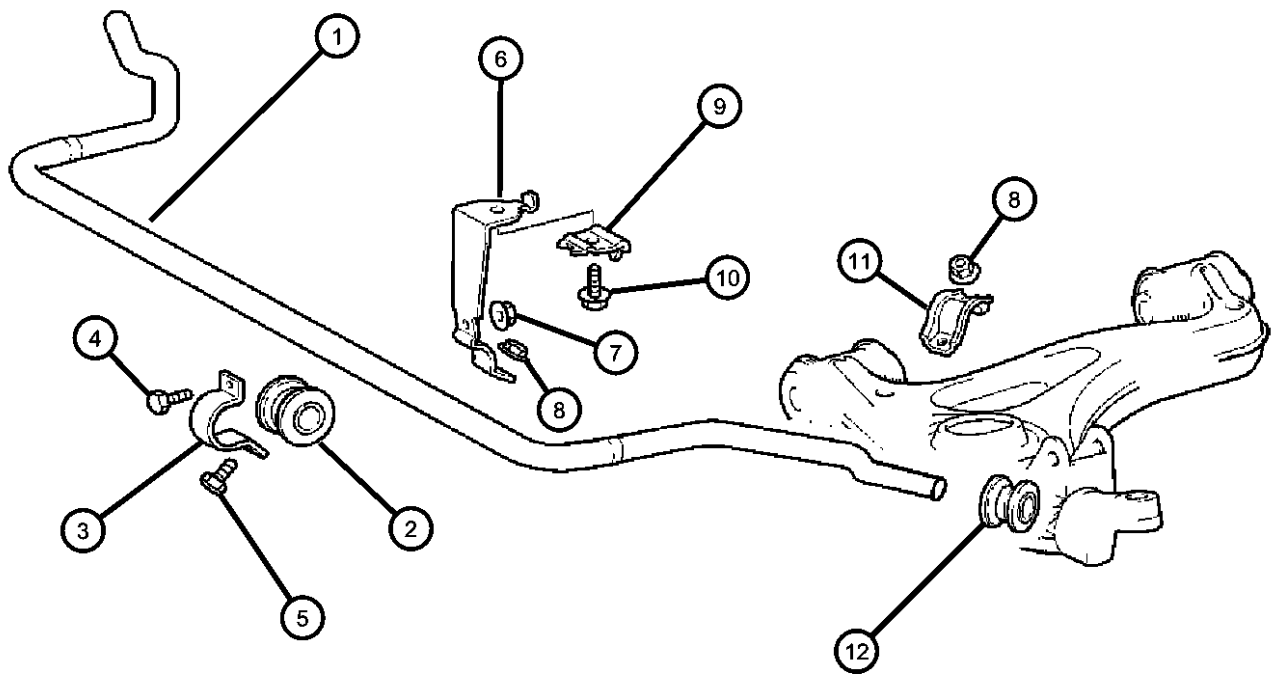
SERIES	LINE	BODY	ENGINE	TRANSMISSION
P = PREMIUM	C = CHRYSLER	27 = 2-DR CONVERTIBLE	EGX = 3.2L V6 SOHC 18 Valve Engine	DED = 6-Speed Manual Transmission
S = SPORT	Z = CHRYSLER (RHD)	29 = SPECIALTY COUPE	EGZ = 3.2L V6 Supercharged Engine	DGJ = 5-Speed Automatic MB Transmission
X = SPECIAL				DGU = 5-Spd Auto W5A330 Transmission

AR = use ase required - = Non illustrated part

**Sway Bar, Front
Figure 2-130**

ITEM	PART NUMBER	QTY	LINE	SERIES	BODY	ENGINE	TRANS	TRIM	DESCRIPTION
------	-------------	-----	------	--------	------	--------	-------	------	-------------

Sales Codes:
 [EGX]= 3.2L V6 SOHC 18 VALVE
 [EGZ]=3.2L V6 SUPERCHARGED
 [DED]= 6-SPEED MANUAL
 [DGJ]= 5-SPD AUTO, W5A580
 [DGU]=5-SPD AUTO, W5A330



1	05098980AA	1	C, Z		29	EGX, EGZ	DED, DGJ, DGU		BAR, Front Sway
		1	C, Z		27	EGX, EGZ	DED, DGJ, DGU		
2	05098933AA	2	C, Z		29	EGX, EGZ	DED, DGJ, DGU		CUSHION, Sway Eliminator
		2	C, Z		27	EGX, EGZ	DED, DGJ, DGU		
3	05099734AA	2	C, Z		29	EGX, EGZ	DED, DGJ, DGU		CLAMP, Stabilizer Bar Cushion
		2	C, Z		27	EGX, EGZ	DED, DGJ, DGU		
4	05097554AA	2	C, Z		29	EGX, EGZ	DED, DGJ, DGU		BOLT, Hex Head
		2	C, Z		27	EGX, EGZ	DED, DGJ, DGU		
5	06104198AA	4	C, Z		29	EGX, EGZ	DGJ, DGU		BOLT, Hex Head
		4	C, Z		27	EGX, EGZ	DGJ, DGU		
6	05096864AA	1	C, Z		29	EGX, EGZ	DED, DGJ, DGU		BRACKET, Stabilizer Bar
		1	C, Z		27	EGX, EGZ	DED, DGJ, DGU		
7	05098117AA	2	C, Z		29	EGX, EGZ	DED, DGJ, DGU		NUT, Flange
		2	C, Z		27	EGX, EGZ	DED, DGJ, DGU		
8	06104716AA	4	C, Z		29	EGX, EGZ	DED, DGJ, DGU		NUT
		4	C, Z		27	EGX, EGZ	DED, DGJ, DGU		

CROSSFIRE (ZH)

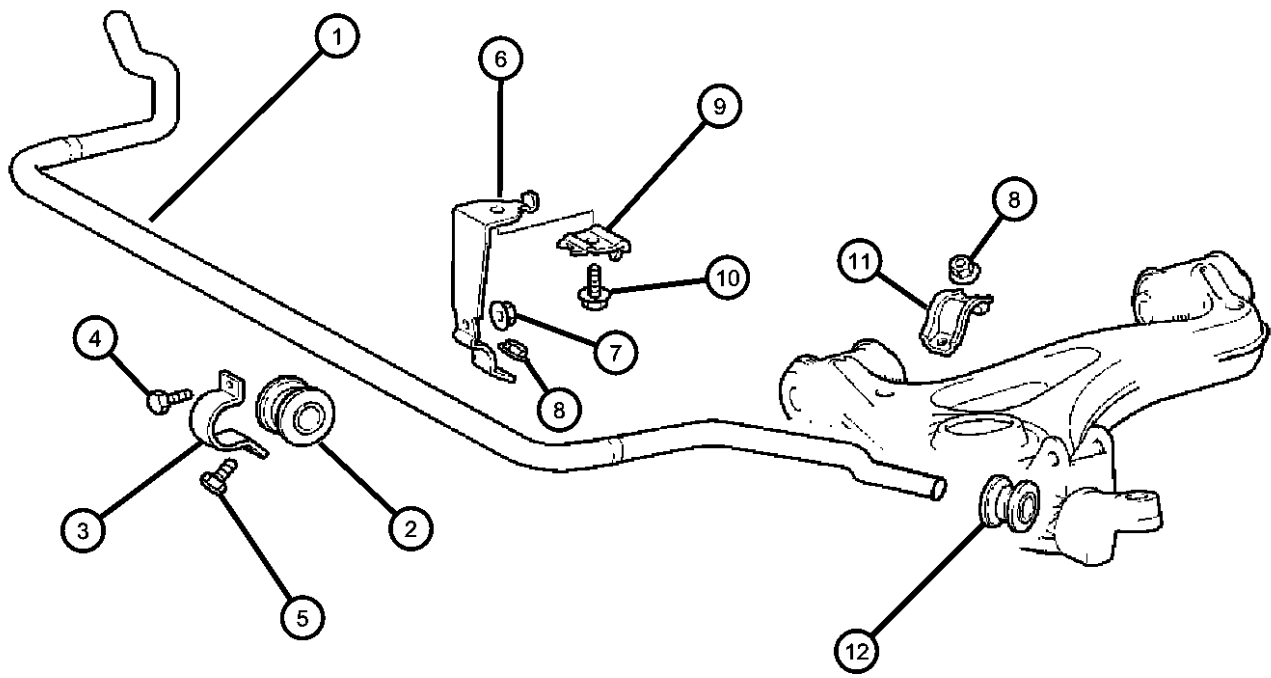
SERIES	LINE	BODY	ENGINE	TRANSMISSION
P = PREMIUM	C = CHRYSLER	27 = 2-DR CONVERTIBLE	EGX = 3.2L V6 SOHC 18 Valve Engine	DED = 6-Speed Manual Transmission
S = SPORT	Z = CHRYSLER (RHD)	29 = SPECIALTY COUPE	EGZ = 3.2L V6 Supercharged Engine	DGJ = 5-Speed Automatic MB Transmission
X = SPECIAL				DGU = 5-Spd Auto W5A330 Transmission

AR = use ase required - = Non illustrated part

2006 ZH

Sway Bar, Front
Figure 2-130

ITEM	PART NUMBER	QTY	LINE	SERIES	BODY	ENGINE	TRANS	TRIM	DESCRIPTION
9	05098931AA	2	C, Z		29	EGX, EGZ	DED, DGJ, DGU		PLATE, Torsion Bar
		2	C, Z		27	EGX, EGZ	DED, DGJ, DGU		
10	05098356AA	2	C, Z		29	EGX, EGZ	DED, DGJ, DGU		BOLT, Hex Flange Head
		2	C, Z		27	EGX, EGZ	DED, DGJ, DGU		
11	05099731AA	2	C, Z		29	EGX, EGZ	DED, DGJ, DGU		CLAMP, Stabilizer Bar
		2	C, Z		27	EGX, EGZ	DED, DGJ, DGU		
12	05104862AA	2	C, Z		29	EGX, EGZ	DED, DGJ, DGU		BUSHING, Stabilizer Bar
		2	C, Z		27	EGX, EGZ	DED, DGJ, DGU		



CROSSFIRE (ZH)

SERIES	LINE	BODY	ENGINE	TRANSMISSION
P = PREMIUM	C = CHRYSLER	27 = 2-DR CONVERTIBLE	EGX = 3.2L V6 SOHC 18 Valve Engine	DED = 6-Speed Manual Transmission
S = SPORT	Z = CHRYSLER (RHD)	29 = SPECIALTY COUPE	EGZ = 3.2L V6 Supercharged Engine	DGJ = 5-Speed Automatic MB Transmission
X = SPECIAL				DGU = 5-Spd Auto W5A330 Transmission

AR = use ase required - = Non illustrated part

2006 ZH

Group - 3

Rear Axle

Group - 3 Rear Axle

Illustration Title

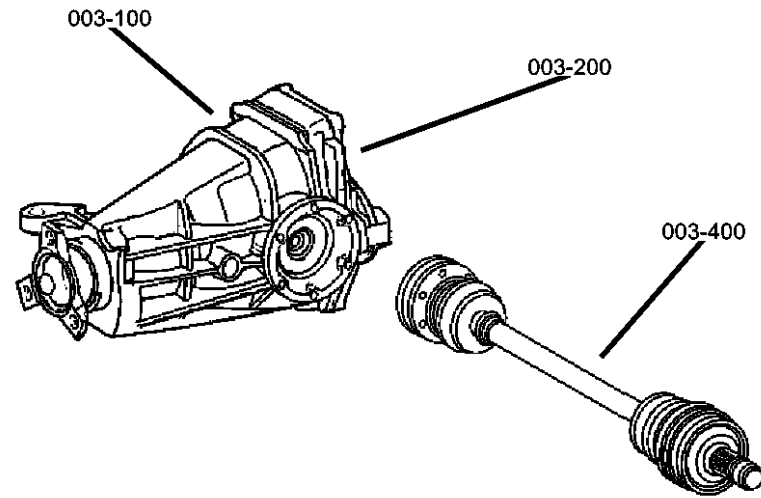
Group-Fig. No.

Differential and Housing

Housing with Differential Fig. 3 - 210

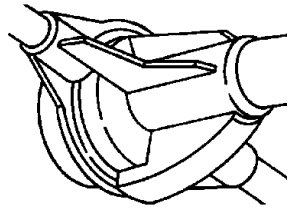
Rear Axle Shafts

Shaft, Rear Axle Fig. 3 - 410



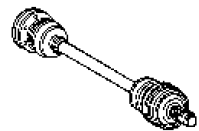
003-200

Differential and Housing

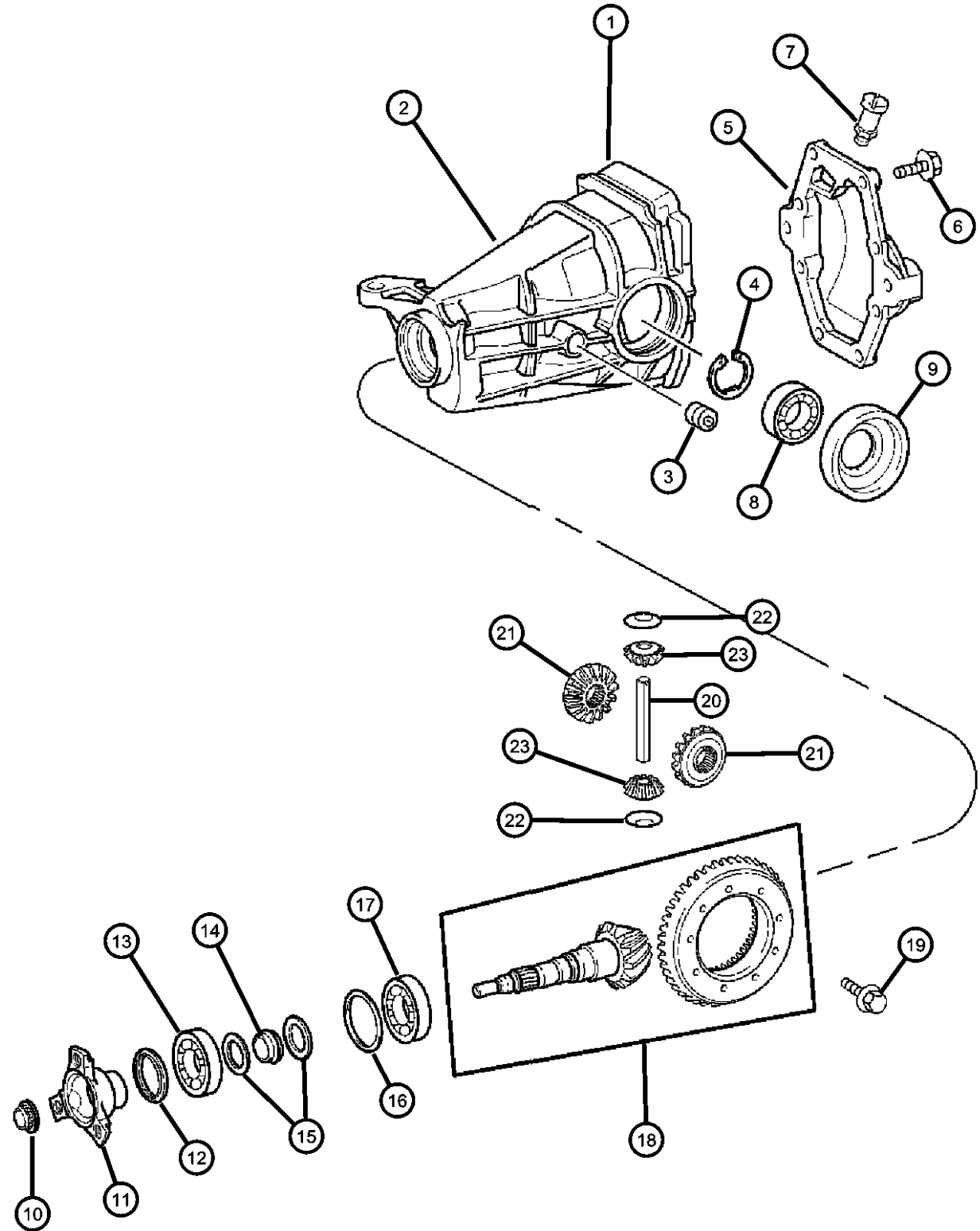


003-400

Rear Axle Shafts



Housing with Differential
Figure 3-210

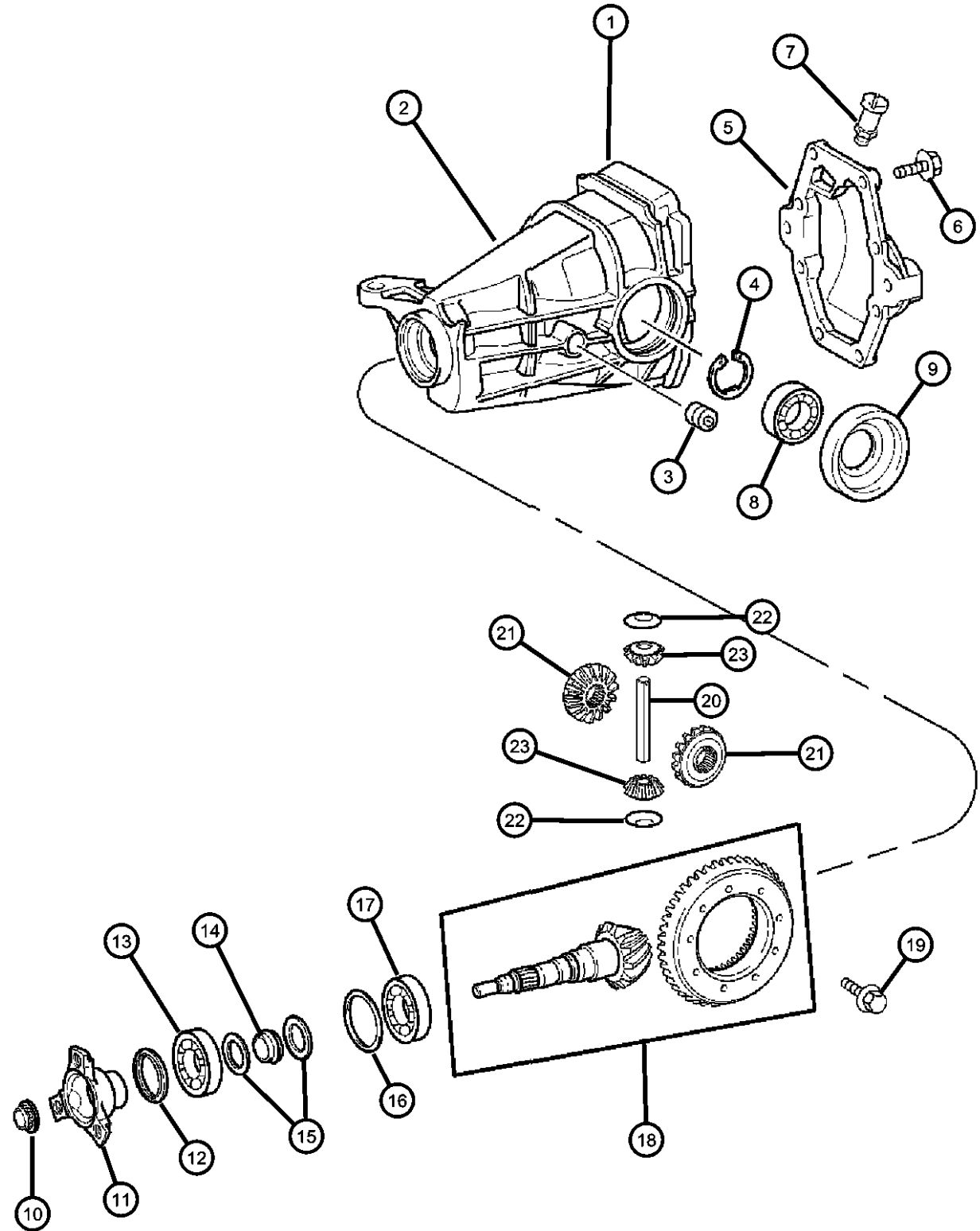


ITEM	PART NUMBER	QTY	LINE	SERIES	BODY	ENGINE	TRANS	TRIM	DESCRIPTION
1	05142715AB	1		P, S	29				DIFFERENTIAL, Rear Axle
	05136035AA	1		P, S	27				Mopar SAE 75W-85 Gear Lube Quart for Crossfire Axles
	05136035AA	1		P, S	27				Mopar SAE 75W-85 Gear Lube Quart for Crossfire Axles
	05142716AB	1		X	29				Mopar SAE 75W-85 Gear Lube Quart for Crossfire Axles
	05136035AA	1		X	27				Mopar SAE 75W-85 Gear Lube Quart for Crossfire Axles
2	05099238AA	1	C, Z	P, S, X	29				HOUSING, Rear Axle
		1	C, Z	P, S, X	27				
3	05097712AA	2	C, Z	P, S, X	29				PLUG, Oil Drain
		2	C, Z	P, S, X	27				
4	52111661AB	1		X	29				RETAINING RING/SHIM, Differential Bearing 3.60MM
		1		X	27				3.60MM
		1		P, S	29				3.60MM
		1		P, S	27				3.60MM
	52111666AB	1		X	29				3.70MM
		1		X	27				3.70MM
		1		P, S	29				3.70MM
		1		P, S	27				3.70MM
	52111671AB	1		X	29				3.80MM
		1		X	27				3.80MM
		1		P, S	29				3.80MM
		1		P, S	27				3.80MM
	52111674AB	1		X	29				3.86MM
		1		X	27				3.86MM
		1		P, S	29				3.86MM
		1		P, S	27				3.86MM

CROSSFIRE (ZH)
 SERIES LINE BODY ENGINE TRANSMISSION
 P = PREMIUM C = CHRYSLER 27 = 2-DR CONVERTIBLE EGX = 3.2L V6 SOHC 18 DED = 6-Speed Manual Transmission
 S = SPORT Z = CHRYSLER (RHD) 29 = SPECIALTY COUPE Valve Engine DGJ = 5-Speed Automatic MB
 X = SPECIAL Engine EGZ = 3.2L V6 Supercharged Transmission
 DGU = 5-Spd Auto W5A330
 Transmission

AR = use ase required - = Non illustrated part

Housing with Differential
Figure 3-210



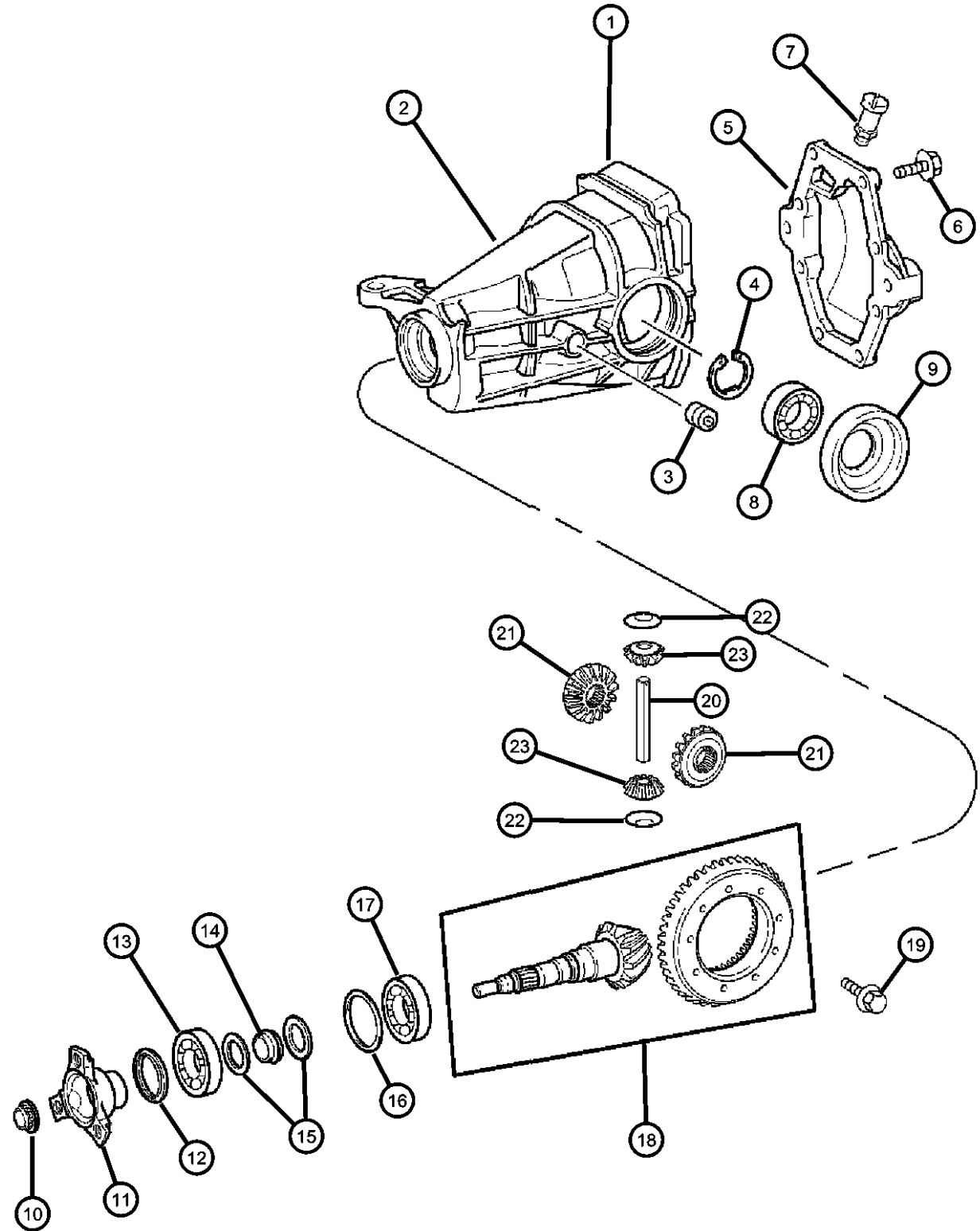
ITEM	PART NUMBER	QTY	LINE	SERIES	BODY	ENGINE	TRANS	TRIM	DESCRIPTION
	52111676AB	1		X	29				3.90MM
		1		X	27				3.90MM
		1		P, S	29				3.90MM
		1		P, S	27				3.90MM
	52111679AB	1		X	29				3.96MM
		1		X	27				3.96MM
		1		P, S	29				3.96MM
		1		P, S	27				3.96MM
	52111681AB	1		X	29				4.00MM
		1		X	27				4.00MM
		1		P, S	29				4.00MM
		1		P, S	27				4.00MM
	52111684AB	1		X	29				4.06MM
		1		X	27				4.06MM
		1		P, S	29				4.06MM
		1		P, S	27				4.06MM
	52111686AB	1		P, S	29				4.10MM
		1		P, S	27				4.10MM
		1		X	29				4.10MM
		1		X	27				4.10MM
	52111689AB	1		P, S	29				4.16MM
		1		P, S	27				4.16MM
		1		X	29				4.16MM
		1		X	27				4.16MM
	52111691AB	1		P, S	29				4.20MM
		1		P, S	27				4.20MM
		1		X	29				4.20MM
		1		X	27				4.20MM
	52111696AB	1		P, S	29				4.30MM
		1		P, S	27				4.30MM
		1		X	29				4.30MM
		1		X	27				4.30MM
	52111701AB	1		P, S	29				4.40MM
		1		P, S	27				4.40MM

CROSSFIRE (ZH)

SERIES	LINE	BODY	ENGINE	TRANSMISSION
P = PREMIUM	C = CHRYSLER	27 = 2-DR CONVERTIBLE	EGX = 3.2L V6 SOHC 18 Valve Engine	DED = 6-Speed Manual Transmission
S = SPORT	Z = CHRYSLER (RHD)	29 = SPECIALTY COUPE	EGZ = 3.2L V6 Supercharged Engine	DGJ = 5-Speed Automatic MB Transmission
X = SPECIAL				DGU = 5-Spd Auto W5A330 Transmission

AR = use ase required - = Non illustrated part

Housing with Differential
Figure 3-210



ITEM	PART NUMBER	QTY	LINE	SERIES	BODY	ENGINE	TRANS	TRIM	DESCRIPTION
		1		X	29				4.40MM
		1		X	27				4.40MM
	52111705AB	1		P, S	29				4.44MM
		1		P, S	27				4.44MM
		1		X	29				4.44MM
		1		X	27				4.44MM
	52111708AB	1		P, S	29				4.50MM
		1		P, S	27				4.50MM
		1		X	29				4.50MM
		1		X	27				4.50MM
5									COVER, Rear Axle
	05099802AB	1	C, Z	P, S, X	29				
		1	C, Z	P, S, X	27				
6									BOLT, Hex Head
	06104043AA	8	C, Z	P, S, X	29				
		8	C, Z	P, S, X	27				
7									VENT, Axle
	52111492AB	1	C, Z	X	29				
		1	C, Z	X	27				
8									BEARING, Differential Case
	52111478AA	2	C, Z	P, S, X	29				
		2	C, Z	P, S, X	27				
9									SEAL, Oil
	05114258AA	2	C, Z	S, X, P	29				
		2	C, Z	P, S, X	27				
10									NUT, Hex Flange
	52111449AA	1		P, S	29				
		1		P, S	27				
		1		X	29				
		1		X	27				
11									FLANGE, Axle Output
	05114256AA	1	C, Z	P, S	29				
		1	C, Z	P, S	27				
	05135488AA	1	Z, C	X	29				

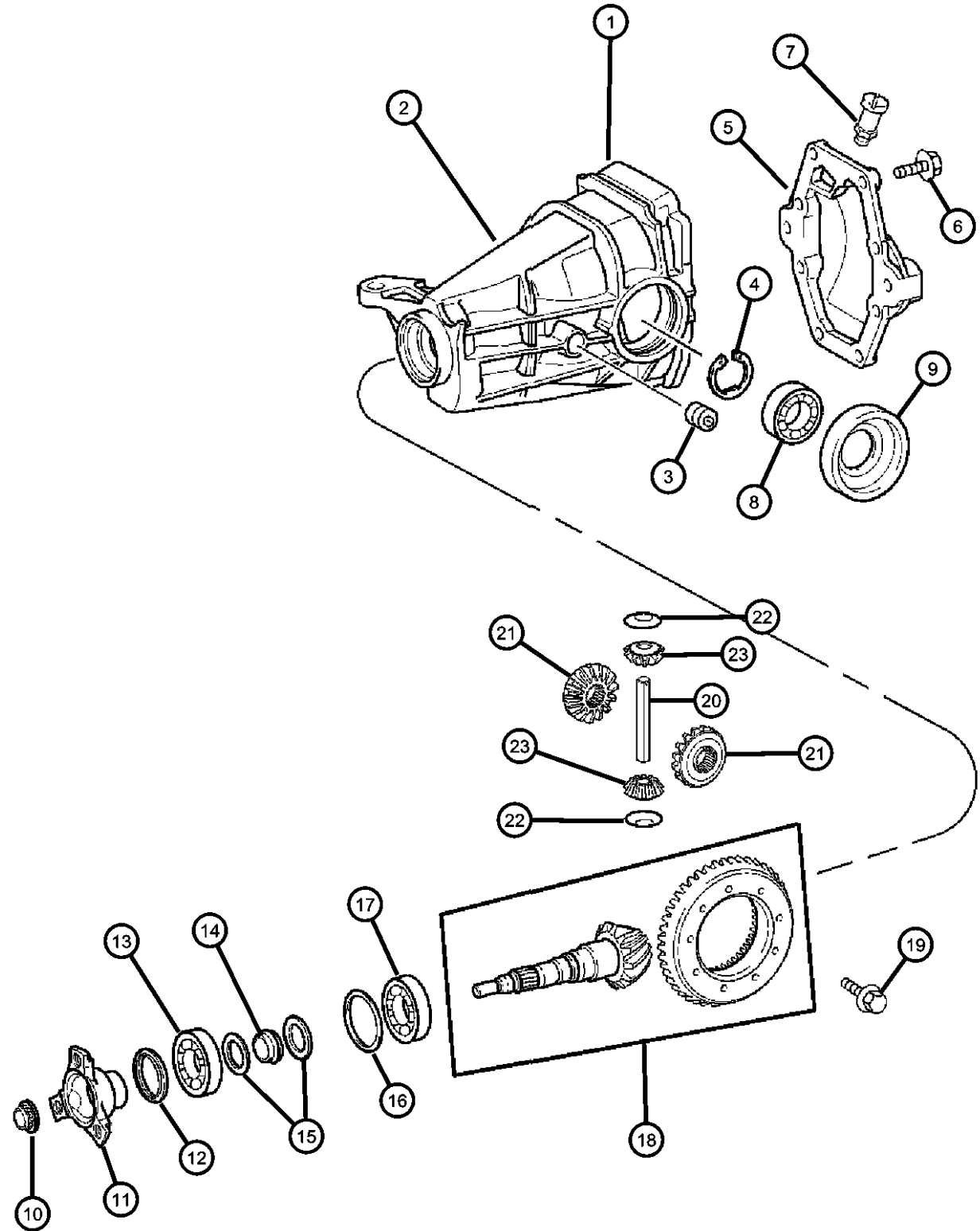
CROSSFIRE (ZH)

SERIES	LINE	BODY	ENGINE	TRANSMISSION
P = PREMIUM	C = CHRYSLER	27 = 2-DR CONVERTIBLE	EGX = 3.2L V6 SOHC 18	DED = 6-Speed Manual Transmission
S = SPORT	Z = CHRYSLER (RHD)	29 = SPECIALTY COUPE	Valve Engine	DGJ = 5-Speed Automatic MB
X = SPECIAL			EGZ = 3.2L V6 Supercharged	Transmission
			Engine	DGU = 5-Spd Auto W5A330
				Transmission

AR = use ase required - = Non illustrated part

2006 ZH

Housing with Differential
Figure 3-210

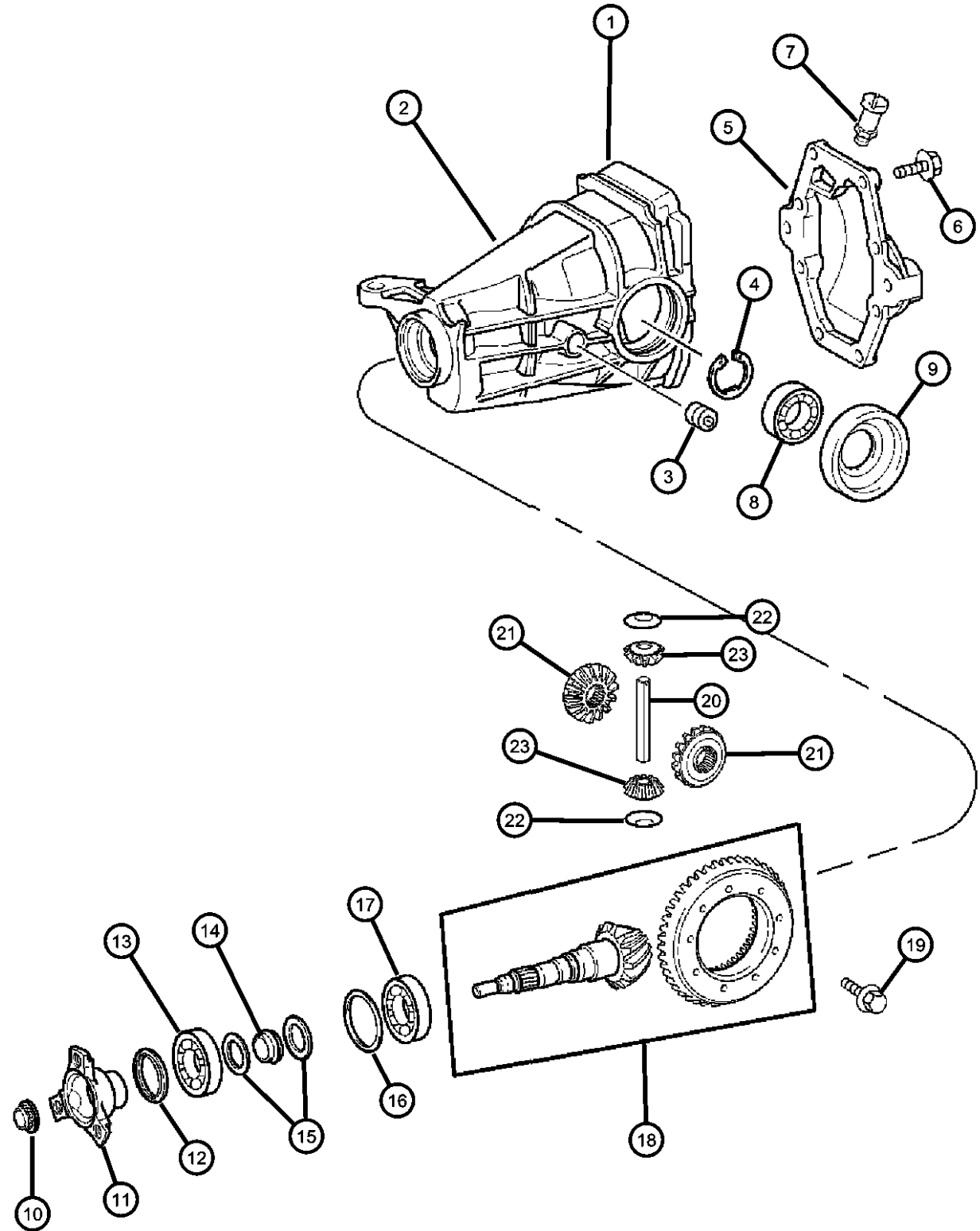


ITEM	PART NUMBER	QTY	LINE	SERIES	BODY	ENGINE	TRANS	TRIM	DESCRIPTION
12		1	C, Z	X	27				SEAL
	05114255AA	1	C, Z	P, S, X	29				
		1	C, Z	S, X, P	27				
13		1	C, Z	P, S, X	29				BEARING, Drive Pinion
	52111444AA	1	C, Z	P, S, X	29				
		1	C, Z	P, S, X	27				
14		1	C, Z	P, S, X	29				SPACER, Drive Pinion Bearing
	52111442AA	1	C, Z	P, S, X	29				
		1	C, Z	P, S, X	27				
15		2	C, Z	P, S, X	29				WASHER, Thrust
	52111443AA	2	C, Z	P, S, X	29				
		2	C, Z	P, S, X	27				
16		1		P, S	29				SHIM, Drive Pinion Bearing
	05139417AA	1		P, S	29				1.50MM
		1		P, S	27				1.50MM
		1		X	29				1.50MM
		1		X	27				1.50MM
	05139419AA	1		P, S	29				1.55MM
		1		P, S	27				1.55MM
		1		X	29				1.55MM
		1		X	27				1.55MM
	05139420AA	1		P, S	29				1.60MM
		1		P, S	27				1.60MM
		1		X	29				1.60MM
		1		X	27				1.60MM
	05139421AA	1		P, S	29				1.65MM
		1		P, S	27				1.65MM
		1		X	29				1.65MM
		1		X	27				1.65MM
	05139429AA	1		P, S	29				1.70MM
		1		P, S	27				1.70MM
		1		X	29				1.70MM
		1		X	27				1.70MM

CROSSFIRE (ZH)
 SERIES LINE BODY ENGINE TRANSMISSION
 P = PREMIUM C = CHRYSLER 27 = 2-DR CONVERTIBLE EGX = 3.2L V6 SOHC 18 DED = 6-Speed Manual Transmission
 S = SPORT Z = CHRYSLER (RHD) 29 = SPECIALTY COUPE Valve Engine DGJ = 5-Speed Automatic MB
 X = SPECIAL EGZ = 3.2L V6 Supercharged Engine DGU = 5-Spd Auto W5A330 Transmission

AR = use ase required - = Non illustrated part

Housing with Differential
Figure 3-210



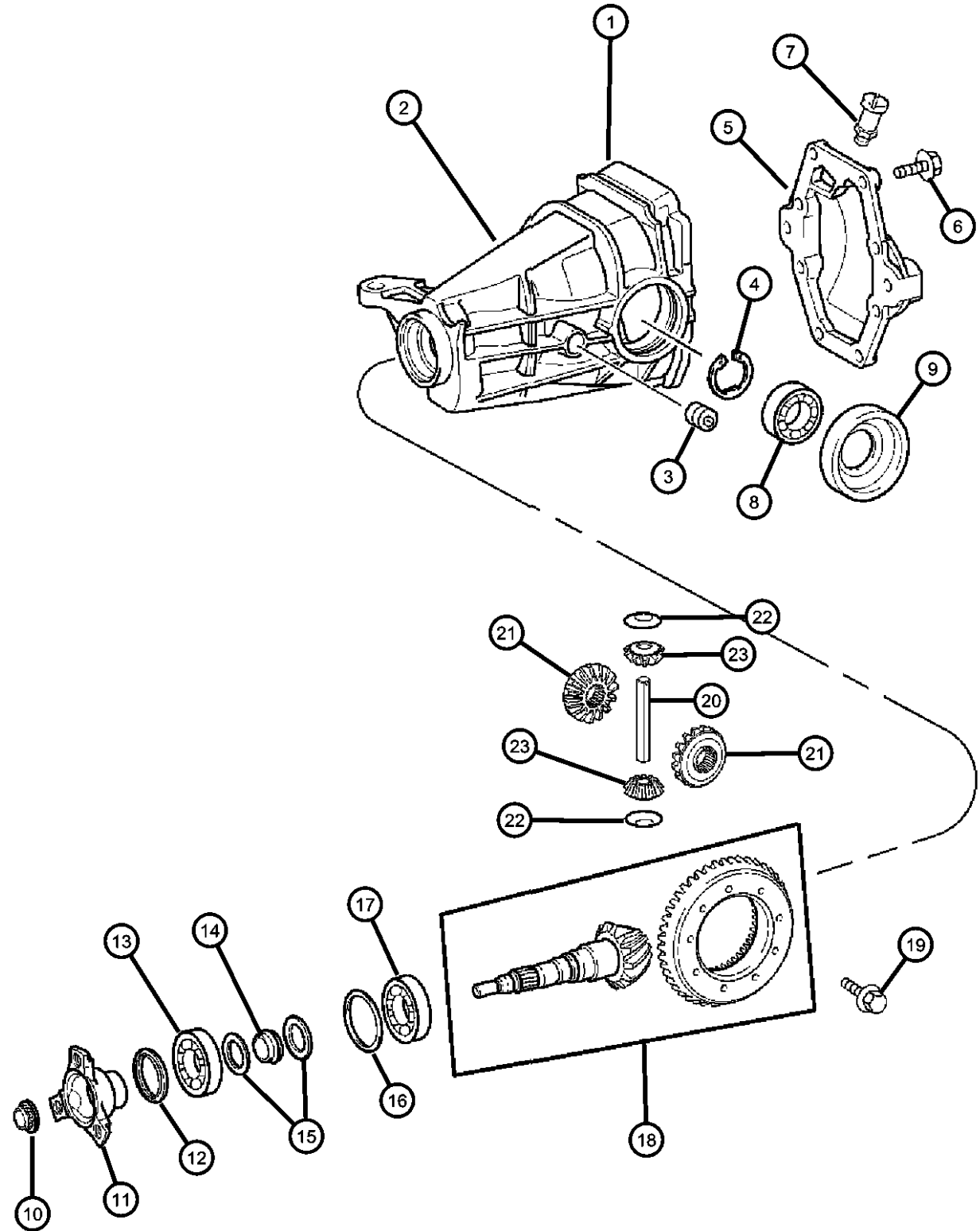
ITEM	PART NUMBER	QTY	LINE	SERIES	BODY	ENGINE	TRANS	TRIM	DESCRIPTION
	05139433AA	1		P, S	29				1.75MM
		1		P, S	27				1.75MM
		1		X	29				1.75MM
		1		X	27				1.75MM
	05139434AA	1		P, S	29				1.80MM
		1		P, S	27				1.80MM
		1		X	29				1.80MM
		1		X	27				1.80MM
	05139435AA	1		P, S	29				1.85MM
		1		P, S	27				1.85MM
		1		X	29				1.85MM
		1		X	27				1.85MM
	05139436AA	1		P, S	29				1.90MM
		1		P, S	27				1.90MM
		1		X	29				1.90MM
		1		X	27				1.90MM
	05139437AA	1		P, S	29				1.95MM
		1		P, S	27				1.95MM
		1		X	29				1.95MM
		1		X	27				1.95MM
	05139439AA	1		P, S	29				2.00MM
		1		P, S	27				2.00MM
		1		X	29				2.00MM
		1		X	27				2.00MM
	05139441AA	1		P, S	29				2.05MM
		1		P, S	27				2.05MM
		1		X	29				2.05MM
		1		X	27				2.05MM
	05139444AA	1		P, S	29				2.10MM
		1		P, S	27				2.10MM
		1		X	29				2.10MM
		1		X	27				2.10MM
	05139445AA	1		P, S	29				2.15MM
		1		P, S	27				2.15MM

CROSSFIRE (ZH)

SERIES	LINE	BODY	ENGINE	TRANSMISSION
P = PREMIUM	C = CHRYSLER	27 = 2-DR CONVERTIBLE	EGX = 3.2L V6 SOHC 18	DED = 6-Speed Manual Transmission
S = SPORT	Z = CHRYSLER (RHD)	29 = SPECIALTY COUPE	Valve Engine	DGJ = 5-Speed Automatic MB
X = SPECIAL			EGZ = 3.2L V6 Supercharged	Transmission
			Engine	DGU = 5-Spd Auto W5A330
				Transmission

AR = use ase required - = Non illustrated part

Housing with Differential
Figure 3-210



ITEM	PART NUMBER	QTY	LINE	SERIES	BODY	ENGINE	TRANS	TRIM	DESCRIPTION
21	52111466AA	2	C, Z	P, S, X	29				GEAR, Differential Side
		2	C, Z	P, S, X	27				
22	52111468AA	2	C, Z	P, S, X	29				WASHER, Pinion Gear
		2	C, Z	P, S, X	27				
23	52111467AA	2	C, Z	P, S, X	29				GEAR, Differential Pinion
		2	C, Z	P, S, X	27				
-24	05139744AA	0	C, Z	P, S, X	29				GASKET, Rear Axle
		0	C, Z	P, S, X	27				
-25	52111470AB	1		S	29				PIN, Differential Shaft
		1		S	27				

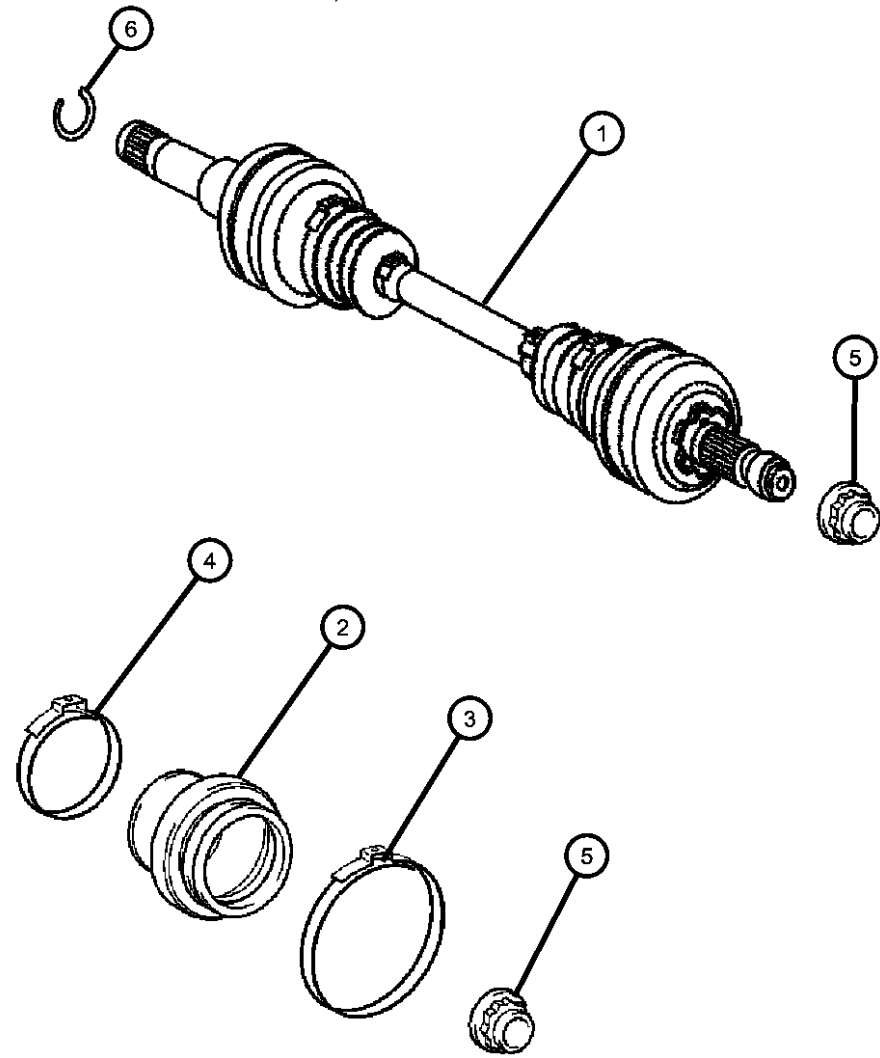
CROSSFIRE (ZH)

SERIES	LINE	BODY	ENGINE	TRANSMISSION
P = PREMIUM	C = CHRYSLER	27 = 2-DR CONVERTIBLE	EGX = 3.2L V6 SOHC 18	DED = 6-Speed Manual Transmission
S = SPORT	Z = CHRYSLER (RHD)	29 = SPECIALTY COUPE	Valve Engine	DGJ = 5-Speed Automatic MB
X = SPECIAL			EGZ = 3.2L V6 Supercharged	Transmission
			Engine	DGU = 5-Spd Auto W5A330
				Transmission

AR = use ase required - = Non illustrated part

2006 ZH

Shaft, Rear Axle
Figure 3-410



ITEM	PART NUMBER	QTY	LINE	SERIES	BODY	ENGINE	TRANS	TRIM	DESCRIPTION
1									SHAFT, Axle Half
	05140893AA	1	C, Z	P, S	29				[EGX]
		1	C, Z	P, S	27				[EGX]
	05159990AA	1	C, Z	X	29				[EGZ]
		1	C, Z	X	27				[EGZ]
2									BOOT, Axle shaft
	05114243AA	2	C, Z	P, S	29				
		2	C, Z	P, S	27				
3									CLAMP, Boot
	05114246AA	2	C, Z	P, S, X	29				
		2	C, Z	P, S, X	27				
4									CLAMP, Boot
	05114247AA	2	C, Z	P, S	29				
		2	C, Z	P, S	27				
5									NUT, Flange
	05096387AA	2	C, Z	P, S, X	29				
		2	C, Z	P, S, X	27				
6									RING, Axle Shaft
	05114252AA	1	C, Z	P, S, X	29				
		1	C, Z	P, S, X	27				
-7									COVER, Axle Shaft Dust
	05114251AA	1	C, Z	P, S, X	29				
		1	C, Z	P, S, X	27				

CROSSFIRE (ZH)

SERIES	LINE	BODY	ENGINE	TRANSMISSION
P = PREMIUM	C = CHRYSLER	27 = 2-DR CONVERTIBLE	EGX = 3.2L V6 SOHC 18	DED = 6-Speed Manual Transmission
S = SPORT	Z = CHRYSLER (RHD)	29 = SPECIALTY COUPE	Valve Engine	DGJ = 5-Speed Automatic MB
X = SPECIAL			EGZ = 3.2L V6 Supercharged	Transmission
			Engine	DGU = 5-Spd Auto W5A330
				Transmission

AR = use ase required - = Non illustrated part

2006 ZH

Group - 4

Parking Brake

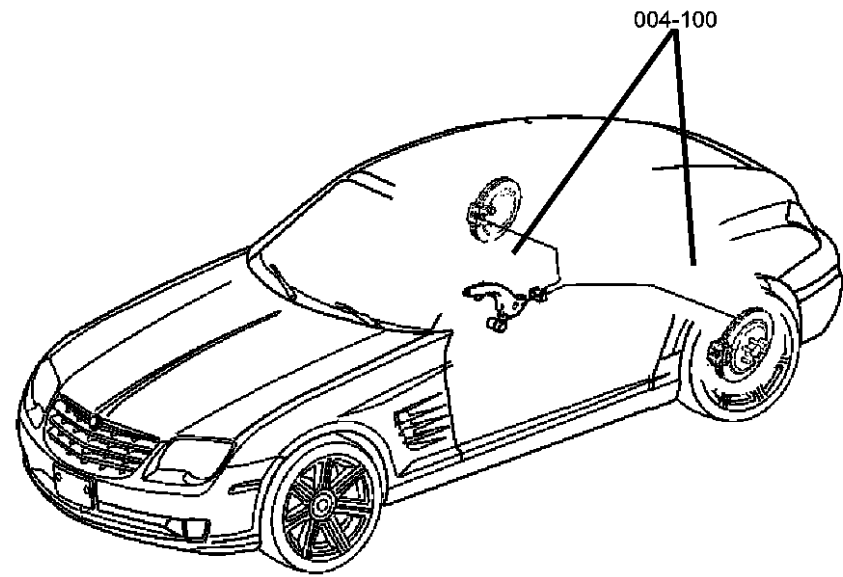
Group - 4 Parking Brake

Group-Fig. No.

Illustration Title

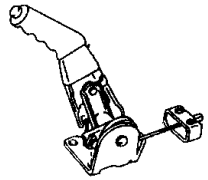
Parking Brake Lever and Cables

Lever and Cables	Fig. 4 - 110
Brake Assembly, Parking	Fig. 4 - 120

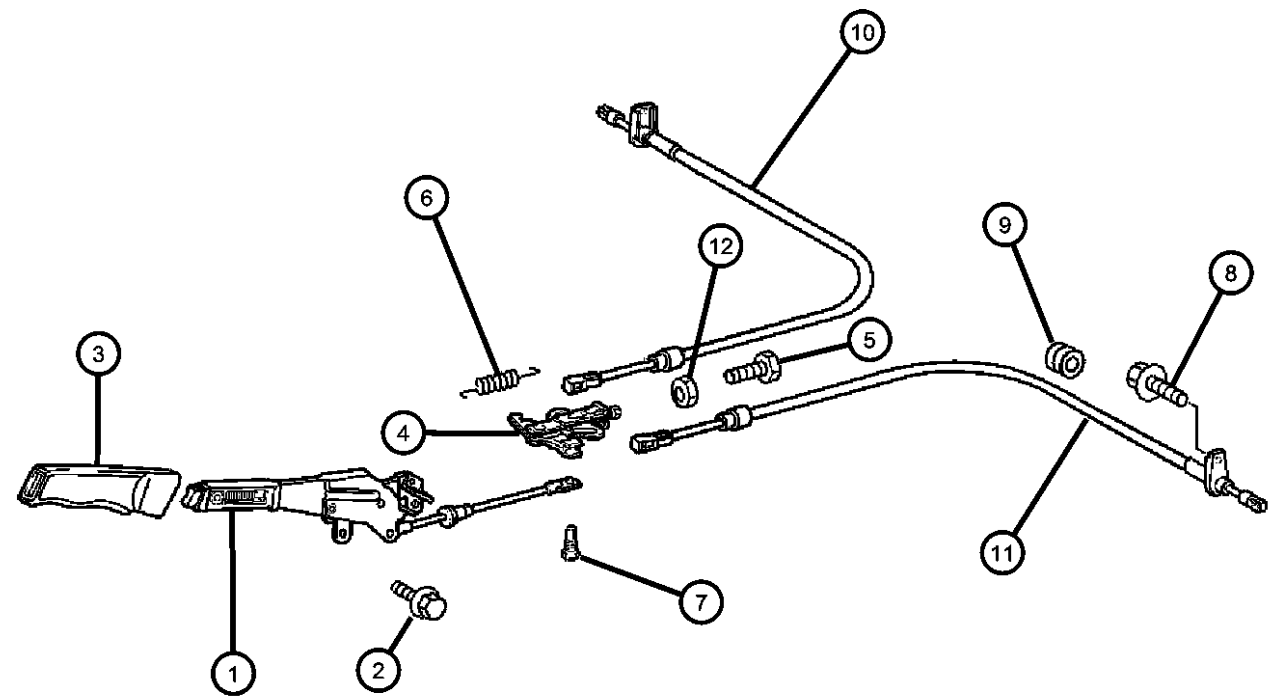


004-100

004-100
Parking Brake Lever and Cables



Lever and Cables
Figure 4-110



ITEM	PART NUMBER	QTY	LINE	SERIES	BODY	ENGINE	TRANS	TRIM	DESCRIPTION
1	05098499AA	1	C, Z		29				LEVER, Park Brake
		1	C, Z		27				
2	05098122AA	2	C, Z		29				BOLT, Brake Mounting
		2	C, Z		27				
3	05096623AA	1	C, Z		27				HANDLE, Parking Brake
		1	C, Z		29				
4	05101692AA	1	C, Z		29				ADJUSTER, Parking Brake Cable
		1	C, Z		27				
5	05098364AA	1	C, Z		29				BOLT
		1	C, Z		27				
6	05096744AA	1	C, Z		29				SPRING, Tension
		1	C, Z		27				
7	05097540AA	1	C, Z		29				SCREW, Adjusting
		1	C, Z		27				
8	05098124AA	2	C, Z		29				SCREW Cable Mounting
		2	C, Z		27				Cable Mounting
9	05097181AA	2	C, Z		29				GROMMET
		2	C, Z		27				
10	05098987AA	1	C, Z		29				CABLE, Parking Brake
		1	C, Z		27				
11	05098986AA	1	C, Z		29				CABLE, Parking Brake
		1	C, Z		27				
12									NUT, Parking Brake Adjusting

CROSSFIRE (ZH)

SERIES	LINE	BODY	ENGINE	TRANSMISSION
P = PREMIUM	C = CHRYSLER	27 = 2-DR CONVERTIBLE	EGX = 3.2L V6 SOHC 18	DED = 6-Speed Manual Transmission
S = SPORT	Z = CHRYSLER (RHD)	29 = SPECIALTY COUPE	Valve Engine	DGJ = 5-Speed Automatic MB
X = SPECIAL			EGZ = 3.2L V6 Supercharged	Transmission
			Engine	DGU = 5-Spd Auto W5A330
				Transmission

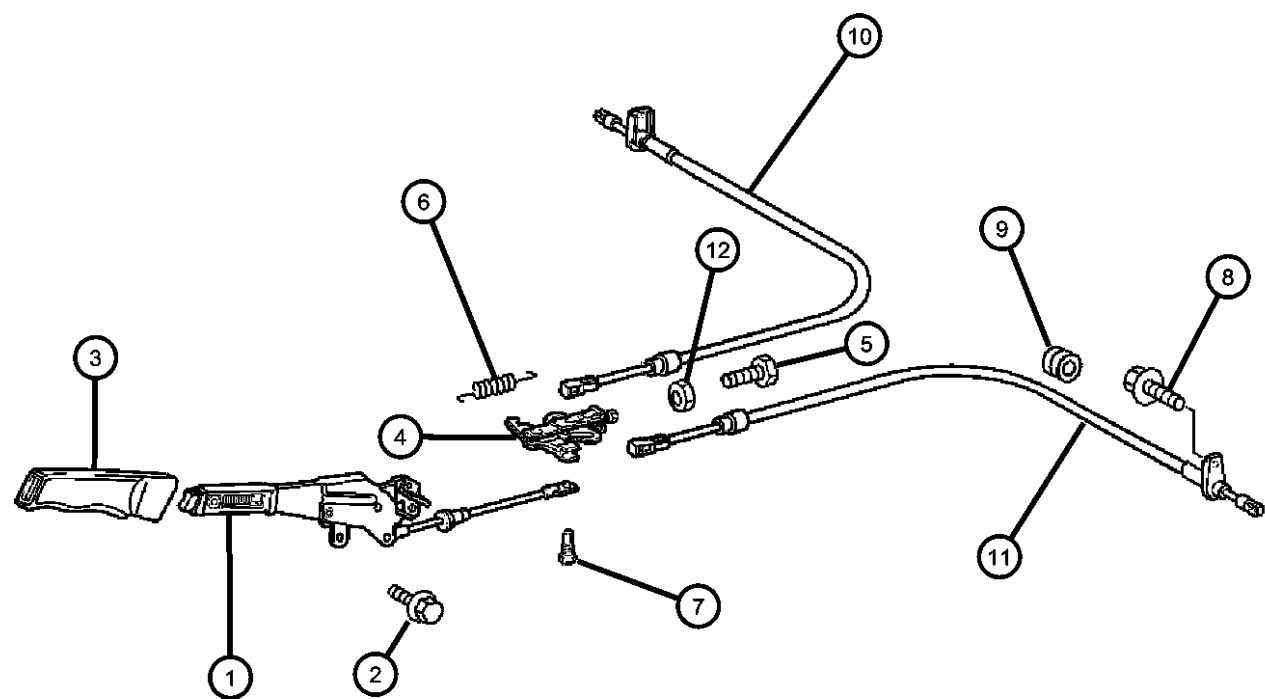
AR = use ase required - = Non illustrated part

2006 ZH

Lever and Cables
Figure 4-110

ITEM	PART NUMBER	QTY	LINE	SERIES	BODY	ENGINE	TRANS	TRIM	DESCRIPTION
------	-------------	-----	------	--------	------	--------	-------	------	-------------

	05096965AA	1	C, Z		29				
		1	C, Z		27				



CROSSFIRE (ZH)

SERIES	LINE	BODY	ENGINE	TRANSMISSION
P = PREMIUM	C = CHRYSLER	27 = 2-DR CONVERTIBLE	EGX = 3.2L V6 SOHC 18 Valve Engine	DED = 6-Speed Manual Transmission
S = SPORT	Z = CHRYSLER (RHD)	29 = SPECIALTY COUPE	EGZ = 3.2L V6 Supercharged Engine	DGJ = 5-Speed Automatic MB Transmission
X = SPECIAL				DGU = 5-Spd Auto W5A330 Transmission

AR = use ase required - = Non illustrated part

2006 ZH

<< RETURN TO GROUP INDEX

This is the cut pages sample. Download all 451 page(s) at: ManualPlace.com