

VIN PLATE DECODING INFORMATION

1	2	3	4	5	6	7	8	9	10	11	12 thru 17
Country	Make	Vehicle Type	Other	Line	Series	Body Style	Engine	Check Digit	Model Year	Assy. Plant	Sequence No.

The following table interprets the VIN Plate position shown above.

Position	Interpretation	Codes = Description
1	Country of Origin	1 = DaimlerChrysler Corporation
2	Assembler	C = Chrysler
3	Vehicle Type	3 = Passenger
4	GVWR & Pass. Safety	A = Restraint System Active Front & Side Air Bags (CGS) B = Restraint System Manual/Active Uni-belt (CGA) D = Restraint System w/o Air Bags (CGJ) E = Restraint System Active Driver & Passenger Air Bags (CGW)
5	Vehicle Line	N = Crossfire (LHD) P = Crossfire (RHD)
6	Series	5 = Premium
7	Body Style	6 = Crossfire (29)
8	Engine	L = 3.2L V6 18V SOHC (EGX) N = 3.2L V6 Supercharged (EGZ)
9	Check Digit	0 = Check Digit 0 = Check Digit 0 = Check Digit
10	Model Year	5 = 2005 5 = 2005
11	Assembly Plant	X = Karmann - Osnabrueck
12 thru 17	Vehicle Build Sequence	Model Year Assembly Sequence

Group - 1

Component Parts for Mopar Accessories

Group - 1 Component Parts for Mopar Accessories

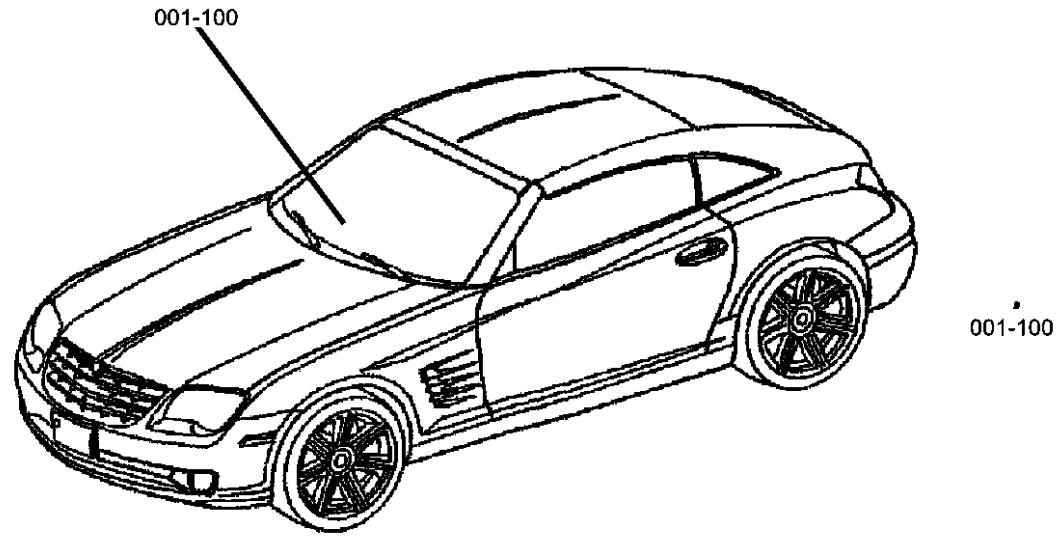
Illustration Title


Group-Fig. No.

Audio & Electronics

Reverse Parking Sensor Kit Fig. 1 - 120

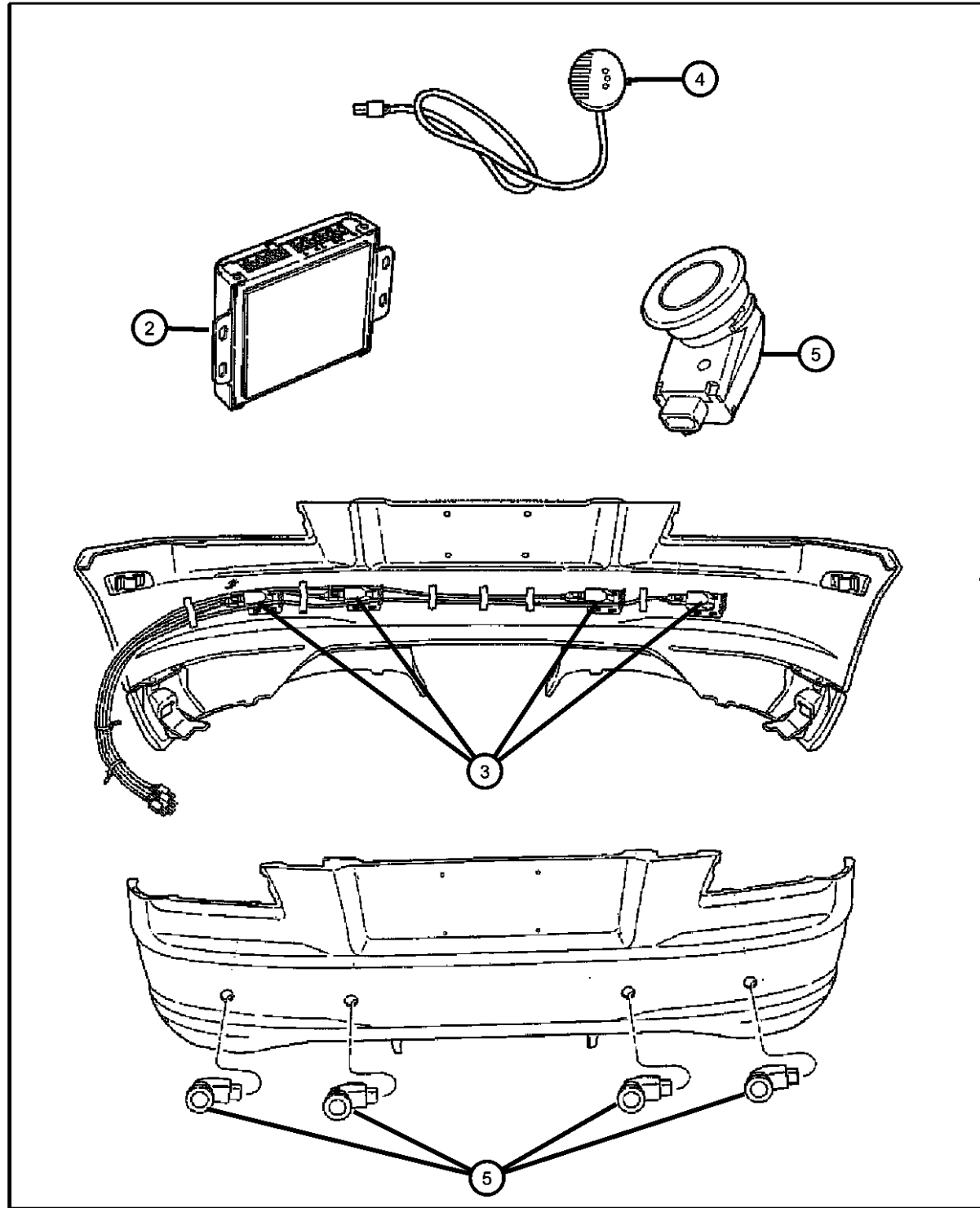
Navigation System Fig. 1 - 150



<p>001-100 Audio & Electronics</p> 			
---	--	--	--

Reverse Parking Sensor Kit
Figure 1-120

ITEM	PART NUMBER	QTY	LINE	SERIES	BODY	ENGINE	TRANS	TRIM	DESCRIPTION
1	82208246AB	1							SENSOR KIT, Park Distance
2	05137541AA	1							MODULE, Parking Assist
3	05137540AA	1							WIRING, Distance Sensor
4	05137539AA	1							DISPLAY, Parking Assist
5	05137536AA	1							SENSOR



CROSSFIRE (ZH)

SERIES	LINE	BODY	ENGINE	TRANSMISSION
P = PREMIUM	C = CHRYSLER	27 = 2-DR CONVERTIBLE	EGX = 3.2L V6 SOHC 18	DED = 6-Speed Manual Transmission
S = SPORT	Z = CHRYSLER	29 = SPECIALTY COUPE	Valve Engine	DGJ = 5-Speed Automatic MB
X = SPECIAL			EGZ = 3.2L V6 Supercharged	Transmission
			Engine	DGU = 5-Spd Auto W5A330
				Transmission

AR = use ase required - = Non illustrated part

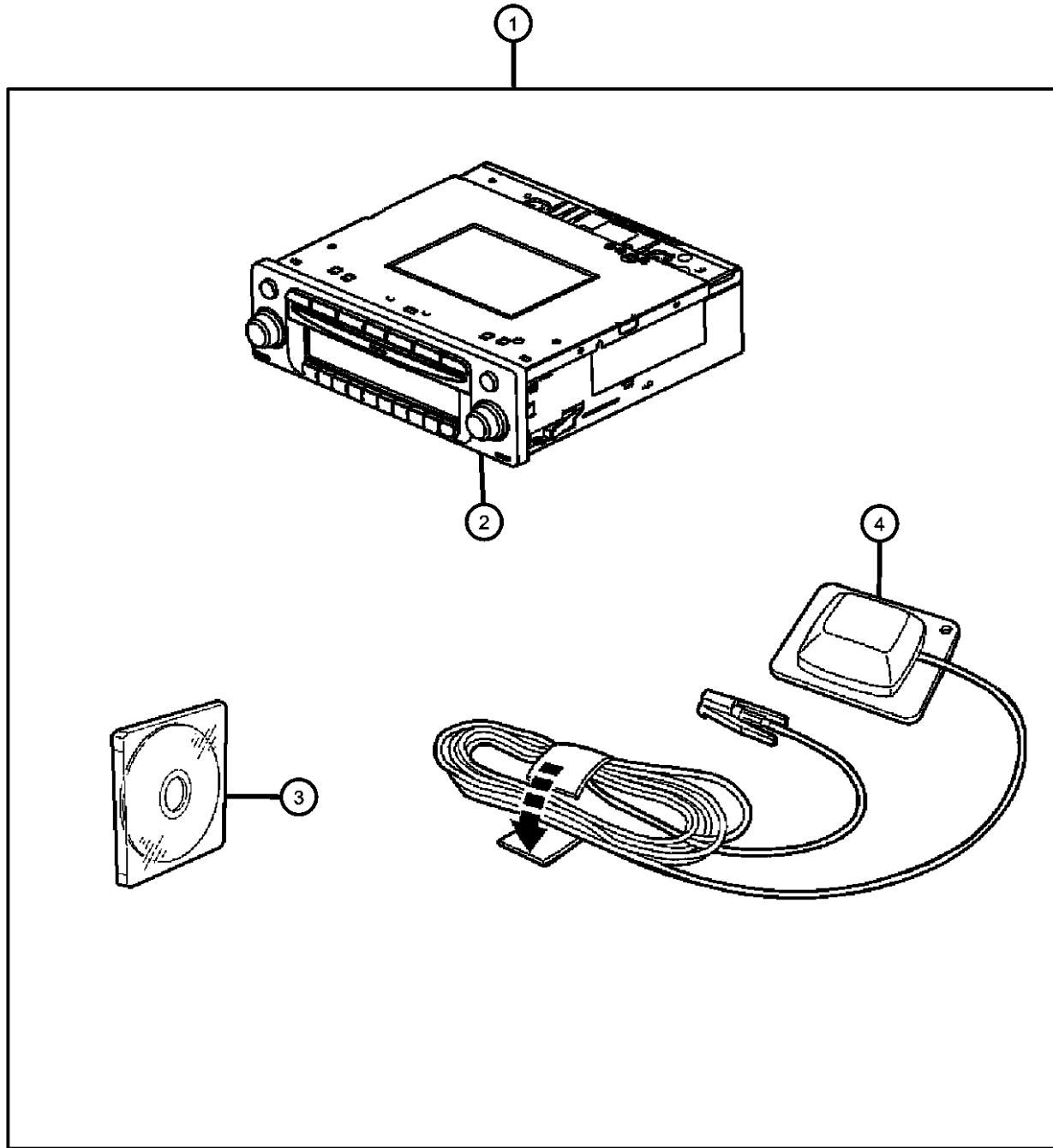
2005 ZH

Navigation System
Figure 1-150

ITEM	PART NUMBER	QTY	LINE	SERIES	BODY	ENGINE	TRANS	TRIM	DESCRIPTION
------	-------------	-----	------	--------	------	--------	-------	------	-------------

Note: For Warranty Repair On Item 2, Order Using Z Prefix

1	82208676	1							RADIO, AM/FM CD W/NAV & CD-CTRL
2	05140748AA	1							RADIO, AM/FM CD W/NAV & CD-CTRL
3	05140747AA	1							COMPACT DISC, Navigation
4	05161763AA	1							ANTENNA, Satellite



CROSSFIRE (ZH)

SERIES	LINE	BODY	ENGINE	TRANSMISSION
P = PREMIUM	C = CHRYSLER	27 = 2-DR CONVERTIBLE	EGX = 3.2L V6 SOHC 18 Valve Engine	DED = 6-Speed Manual Transmission
S = SPORT	Z = CHRYSLER	29 = SPECIALTY COUPE	EGZ = 3.2L V6 Supercharged Engine	DGJ = 5-Speed Automatic MB Transmission
X = SPECIAL				DGU = 5-Spd Auto W5A330 Transmission

AR = use ase required - = Non illustrated part

2005 ZH

Group - 2

Front Suspension & Drive

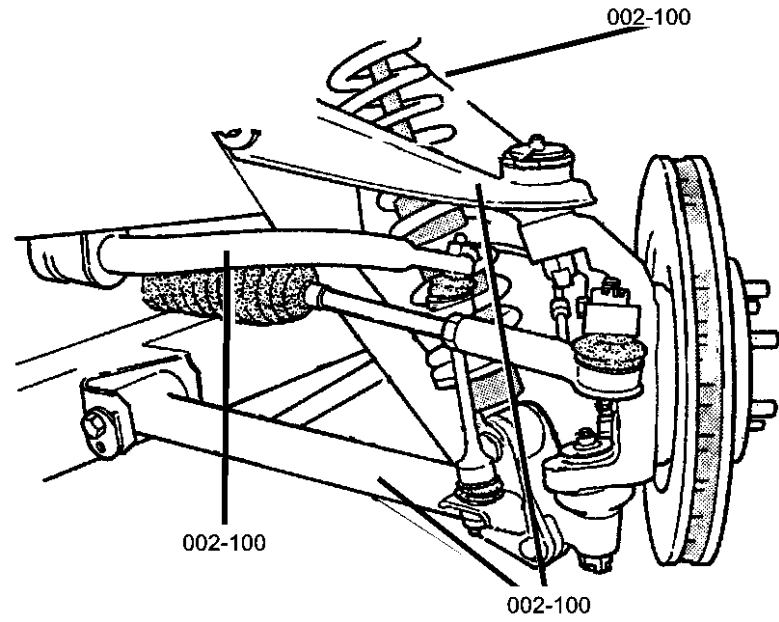
Group - 2 Front Suspension & Drive

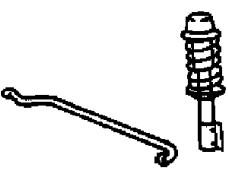
Illustration Title

Group-Fig. No.

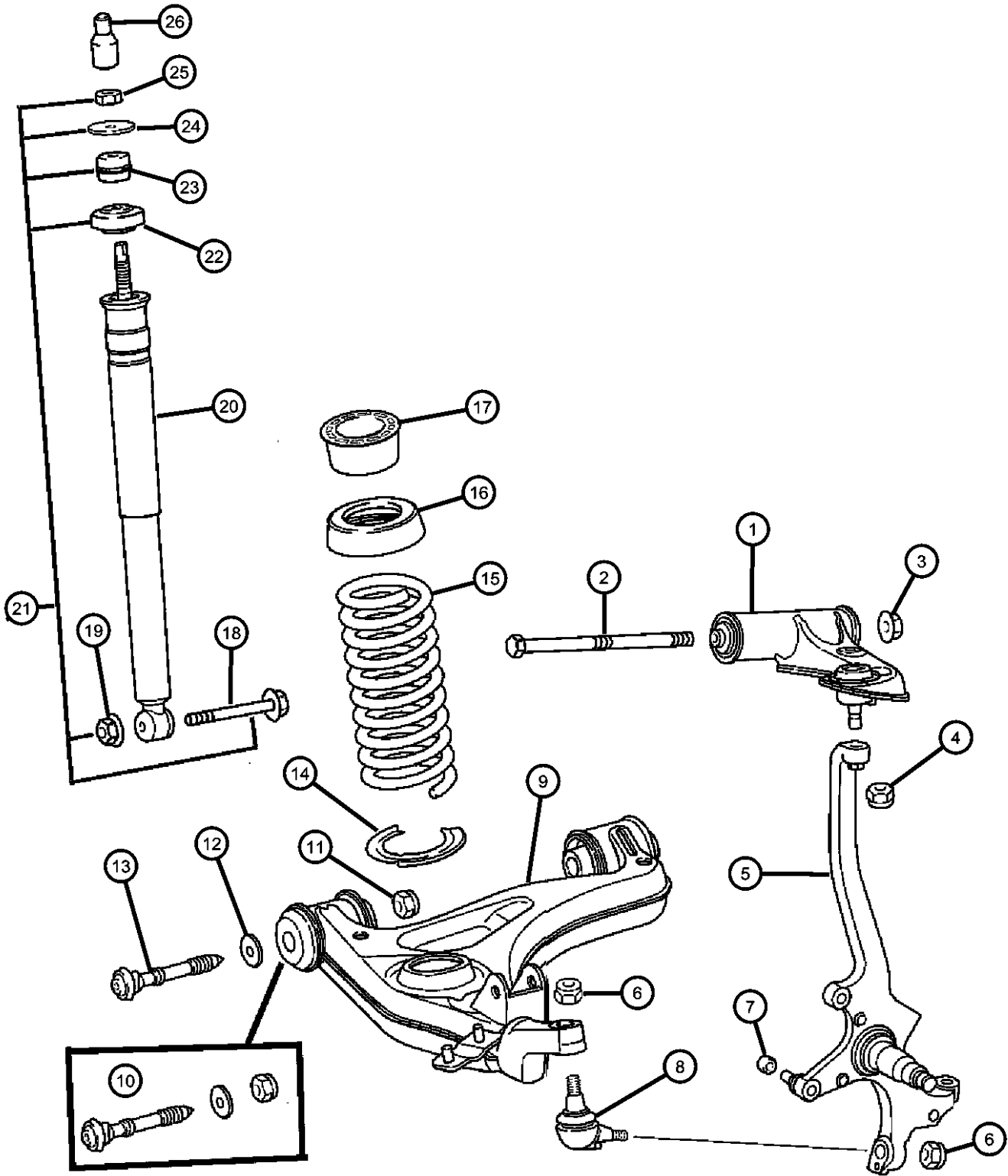
Front Suspension

Suspension, Front..... Fig. 2 - 120
 Sway Bar, Front Fig. 2 - 130



<p>002-100 Front Suspension</p> 			
---	--	--	--

Suspension, Front Figure 2-120



ITEM	PART NUMBER	QTY	LINE	SERIES	BODY	ENGINE	TRANS	TRIM	DESCRIPTION
------	-------------	-----	------	--------	------	--------	-------	------	-------------

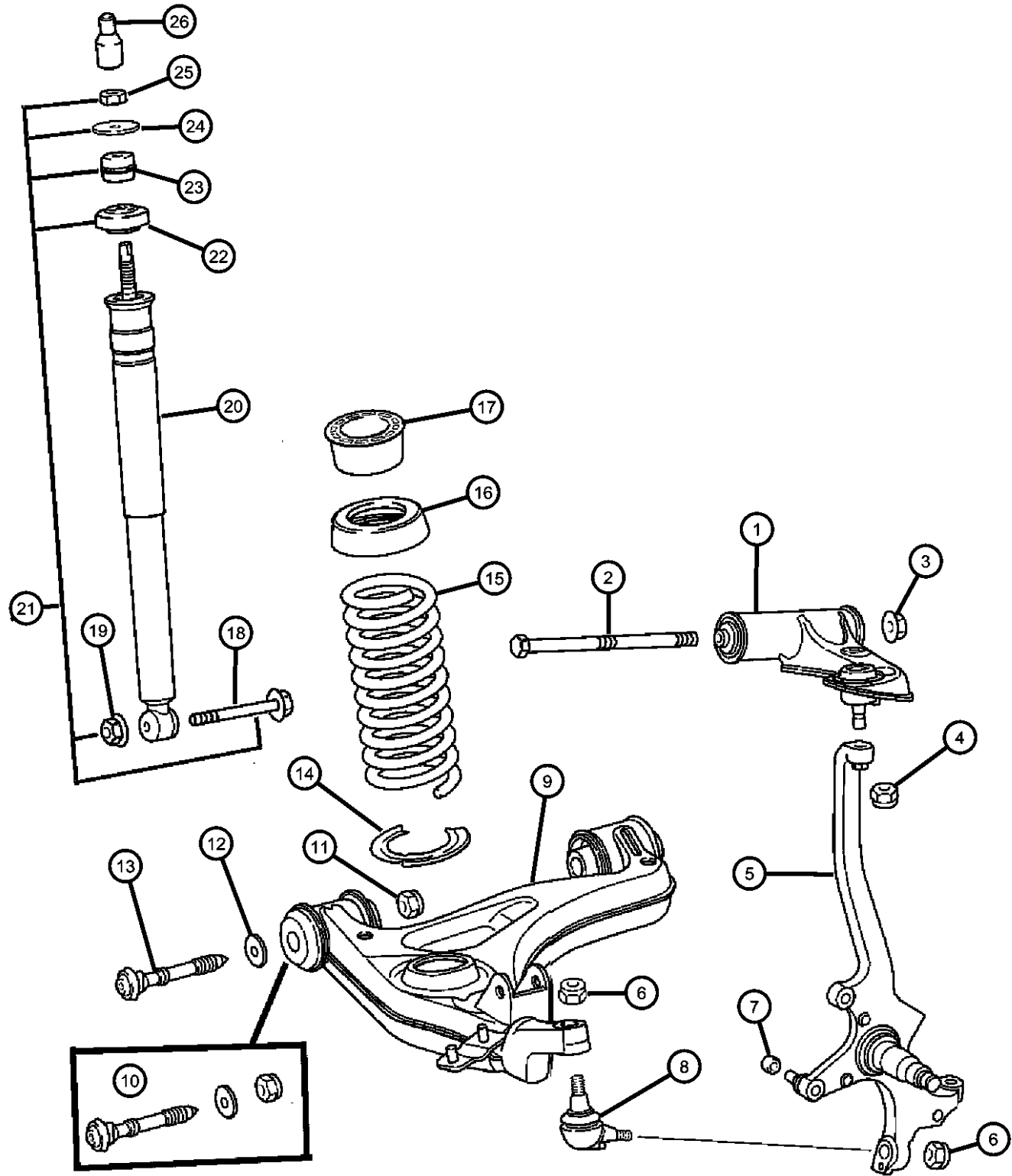
Sales Codes:
 [EGX]=3.2L V6 SOHC 18 VALVE
 [EGZ]= 3.2L V6 SUPERCHARGED
 [DED]= 6-SPEED MANUAL
 [DGJ]=5-SPD AUTO, W5A580
 [DGU]=5-SPD AUTO, W5A330

1									ARM, Upper Control, Front
	05101057AA	1			27	EGX, EGZ	DED, DGJ, DGU		Right
	05101056AA	1			29	EGX, EGZ	DED, DGJ, DGU		Left
		1			27	EGX, EGZ	DED, DGJ, DGU		Left
		1			29	EGX, EGZ	DED, DGJ, DGU		Right
2									BOLT
	05097584AA	1			29	EGX, EGZ	DED, DGJ, DGU		
		1			27	EGX, EGZ	DED, DGJ, DGU		
3									NUT
	06104717AA	1			29	EGX, EGZ	DED, DGJ, DGU		
		1			27	EGX, EGZ	DED, DGJ, DGU		
4									NUT
	05097588AA	1			29	EGX, EGZ	DED, DGJ, DGU		
		1			27	EGX, EGZ	DED, DGJ, DGU		
5									KNUCKLE, Front
	05097556AA	1			27	EGZ, EGX	DED, DGJ, DGU		Right
	05097557AA	1			29	EGX, EGZ	DED, DGJ, DGU		Left
		1			27	EGX, EGZ	DED, DGJ, DGU		Left
		1			29	EGX, EGZ	DED, DGJ, DGU		Right
6									NUT, Hex
	05097586AA	2			29	EGX, EGZ	DED, DGJ, DGU		
		2			27	EGX, EGZ	DED, DGJ, DGU		
7									CAP, Bolt Cover

CROSSFIRE (ZH)
 SERIES LINE BODY ENGINE TRANSMISSION
 P = PREMIUM C = CHRYSLER 27 = 2-DR CONVERTIBLE EGX = 3.2L V6 SOHC 18 Valve Engine DED = 6-Speed Manual Transmission
 S = SPORT Z = CHRYSLER 29 = SPECIALTY COUPE EGZ = 3.2L V6 Supercharged Engine DGJ = 5-Speed Automatic MB Transmission
 X = SPECIAL DGU = 5-Spd Auto W5A330 Transmission

AR = use ase required - = Non illustrated part

Suspension, Front
Figure 2-120

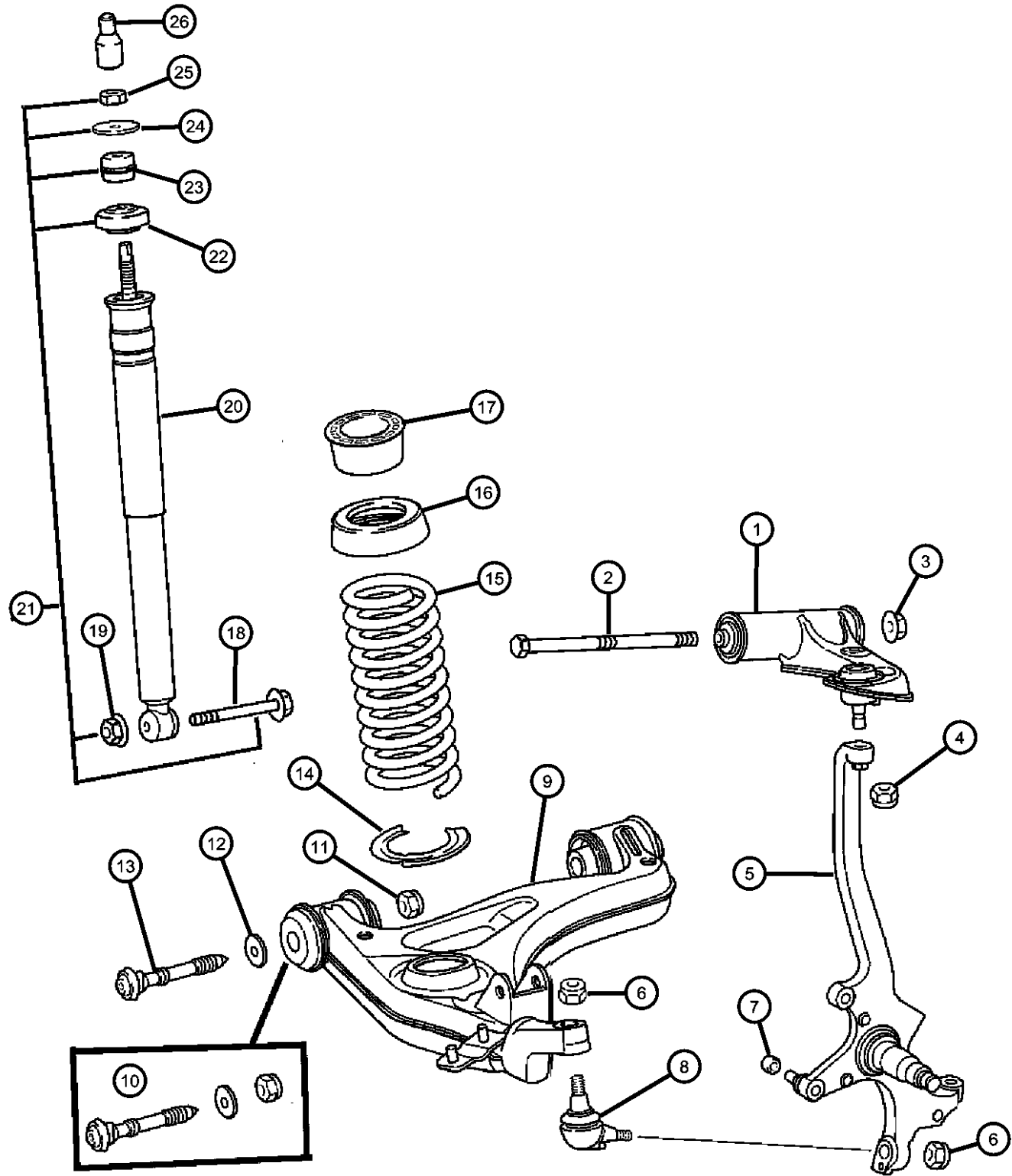


ITEM	PART NUMBER	QTY	LINE	SERIES	BODY	ENGINE	TRANS	TRIM	DESCRIPTION
	05101546AA	1			29	EGX, EGZ	DED, DGJ, DGU		
		1			27	EGX, EGZ	DED, DGJ, DGU		
8	05099237AA	1			29	EGX, EGZ	DED, DGJ, DGU		BALL JOINT, Lower Control Arm
		1			27	EGX, EGZ	DED, DGJ, DGU		
9	05099898AA	1			29	EGX, EGZ	DED, DGJ, DGU		ARM, Lower Control, Front Left
		1			27	EGX, EGZ	DED, DGJ, DGU		Left
	05099899AA	1			29	EGX, EGZ	DED, DGJ, DGU		Right
		1			27	EGX, EGZ	DED, DGJ, DGU		Right
10	05140876AA	2			29	EGX, EGZ	DED, DGJ, DGU		BOLT KIT, Camber Adjustment
		2			27	EGX, EGZ	DED, DGJ, DGU		
11	05097586AA	2			29	EGX, EGZ	DED, DGJ, DGU		NUT, Hex
		2			27	EGX, EGZ	DED, DGJ, DGU		
12	05099736AA	2			29	EGX, EGZ	DED, DGJ, DGU		WASHER
		2			27	EGX, EGZ	DED, DGJ, DGU		
13	05097558AA	2			29	EGX, EGZ	DED, DGJ, DGU		SCREW
		2			27	EGX, EGZ	DED, DGJ, DGU		
14	05099730AA	2			29	EGX, EGZ	DED, DGJ, DGU		ISOLATOR, Spring
		2			27	EGX, EGZ	DED, DGJ, DGU		
15									SPRING, Front Coil

CROSSFIRE (ZH)
 SERIES LINE BODY ENGINE TRANSMISSION
 P = PREMIUM C = CHRYSLER 27 = 2-DR CONVERTIBLE EGX = 3.2L V6 SOHC 18 Valve Engine DED = 6-Speed Manual Transmission
 S = SPORT Z = CHRYSLER 29 = SPECIALTY COUPE EGZ = 3.2L V6 Supercharged Engine DGJ = 5-Speed Automatic MB
 X = SPECIAL DGU = 5-Spd Auto W5A330 Transmission

AR = use ase required - = Non illustrated part

Suspension, Front
Figure 2-120



ITEM	PART NUMBER	QTY	LINE	SERIES	BODY	ENGINE	TRANS	TRIM	DESCRIPTION
	05135480AA	2			29	EGX, EGZ	DED, DGJ, DGU		
		2			27	EGX	DED, DGU		
	05142010AA	2			27	EGZ	DGJ		
	05161527AA	2			29	EGZ	DGJ		
	05161529AA	2			29	EGZ	DGJ		Front Coil
16	05102303AA	2			29	EGX, EGZ	DED, DGJ, DGU		ISOLATOR, Spring
		2			27	EGX	DED, DGU		N=1
	05102304AA	2			29	EGZ	DGJ		N=1
	05102305AA	2			29	EGX, EGZ	DED, DGJ, DGU		N=2
		2	C, Z		27	EGX	DED, DGU		N=3
	05102306AA	2			27	EGZ	DGJ		N=3
	05102307AA	2			29	EGX, EGZ	DED, DGJ, DGU		N=4
		2			27	EGX	DED, DGU		N=5
17	05099176AA	2			29	EGX, EGZ	DED, DGJ, DGU		SUPPORT, Shock Absorber
		2			27	EGX, EGZ	DED, DGJ, DGU		
18	05096849AA	2			29	EGX, EGZ	DED, DGJ, DGU		BOLT, Hex Flange Head
		2			27	EGX, EGZ	DED, DGJ, DGU		
19	06104717AA	1			29	EGX, EGZ	DED, DGJ, DGU		NUT
		1			27	EGX, EGZ	DED, DGJ, DGU		
20	05096749AA	2			29	EGX	DED, DGU		SHOCK ABSORBER, Suspension, Front
	05104991AA	2			27	EGX	DED, DGU		
	05135484AA	2			29	EGZ	DGJ		
	05142011AA	2			27	EGZ	DGJ		
21									REPAIR KIT, Shock absorber

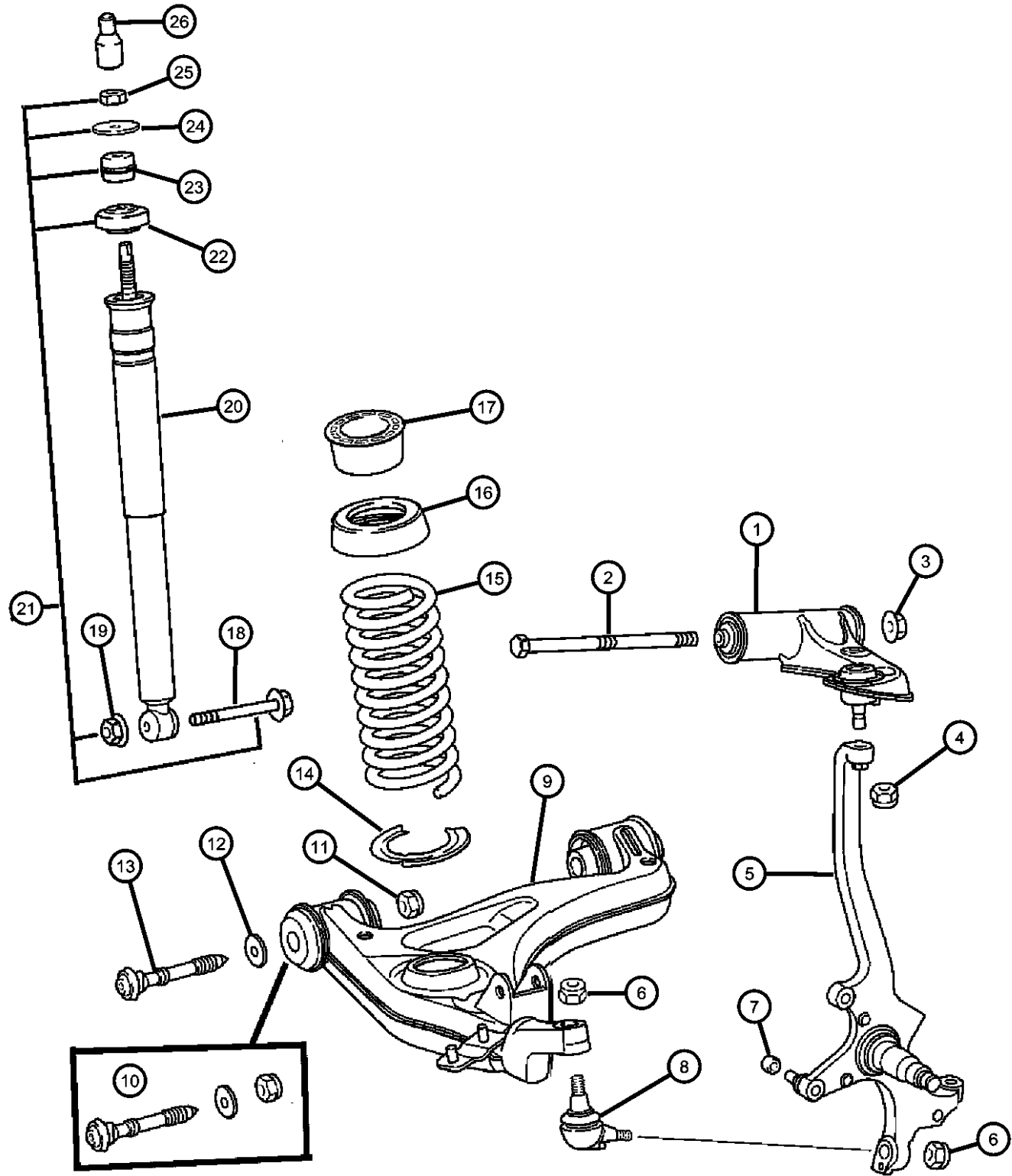
CROSSFIRE (ZH)

SERIES	LINE	BODY	ENGINE	TRANSMISSION
P = PREMIUM	C = CHRYSLER	27 = 2-DR CONVERTIBLE	EGX = 3.2L V6 SOHC 18 Valve Engine	DED = 6-Speed Manual Transmission
S = SPORT	Z = CHRYSLER	29 = SPECIALTY COUPE	EGZ = 3.2L V6 Supercharged Engine	DGJ = 5-Speed Automatic MB Transmission
X = SPECIAL				DGU = 5-Spd Auto W5A330 Transmission

AR = use ase required - = Non illustrated part

2005 ZH

Suspension, Front
Figure 2-120



ITEM	PART NUMBER	QTY	LINE	SERIES	BODY	ENGINE	TRANS	TRIM	DESCRIPTION
	05127493AA	2			29	EGX			
		2			29	EGZ	DGJ		
		2			27	EGZ	DGJ		
		2			27	EGX	DED, DGU		
22									GROMMET, Shock Absorber
	05101369AA	2			29	EGX, EGZ	DED, DGJ, DGU		
		2			27	EGX, EGZ	DED, DGJ, DGU		
23									GROMMET, Shock Absorber
	05101368AA	2			29	EGX, EGZ	DED, DGJ, DGU		
		2			27	EGX, EGZ	DED, DGJ, DGU		
24									WASHER, Shock Absorber
	05099735AA	2			29	EGX, EGZ	DED, DGJ, DGU		
		2			27	EGX, EGZ	DED, DGJ, DGU		
25									NUT, Hex
	05096974AA	2			29	EGX, EGZ	DED, DGJ, DGU		
		2			27	EGX, EGZ	DED, DGJ, DGU		
26									CAP, Shock Absorber
	05101244AA	2			27	EGX, EGZ	DED, DGJ, DGU		
		2			29	EGX, EGZ	DED, DGJ, DGU		

CROSSFIRE (ZH)

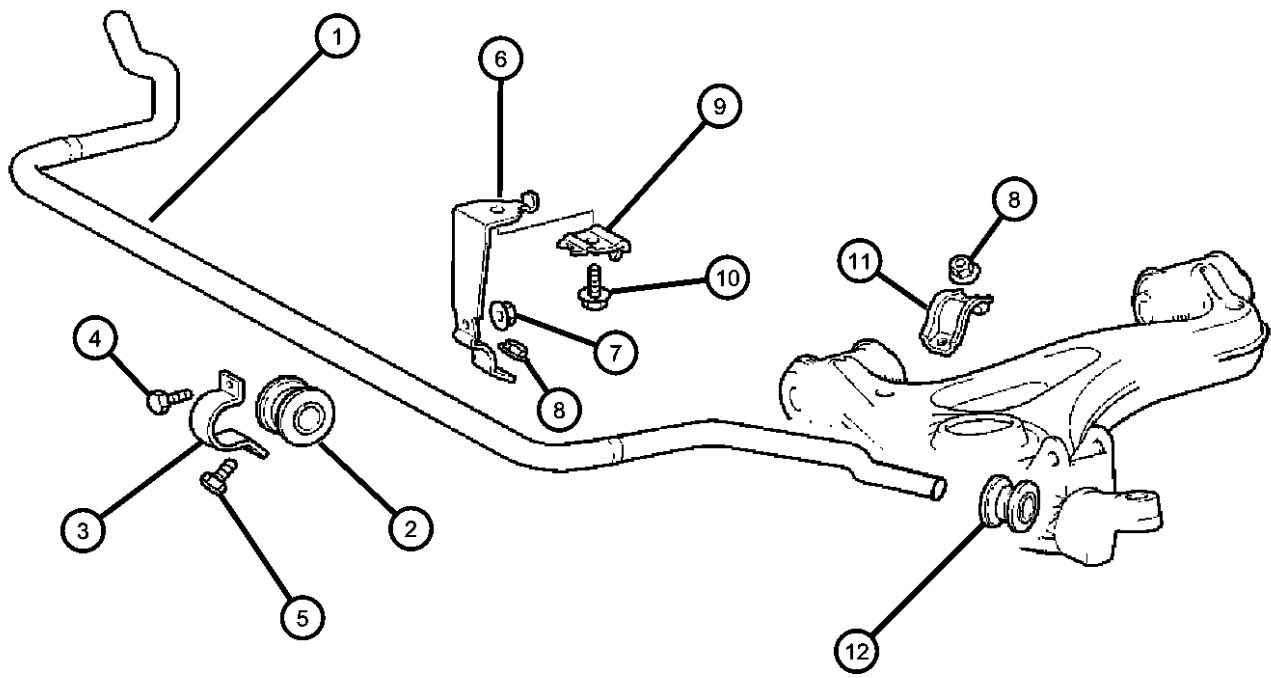
SERIES	LINE	BODY	ENGINE	TRANSMISSION
P = PREMIUM	C = CHRYSLER	27 = 2-DR CONVERTIBLE	EGX = 3.2L V6 SOHC 18 Valve Engine	DED = 6-Speed Manual Transmission
S = SPORT	Z = CHRYSLER	29 = SPECIALTY COUPE	EGZ = 3.2L V6 Supercharged Engine	DGJ = 5-Speed Automatic MB Transmission
X = SPECIAL				DGU = 5-Spd Auto W5A330 Transmission

AR = use ase required - = Non illustrated part

**Sway Bar, Front
Figure 2-130**

ITEM	PART NUMBER	QTY	LINE	SERIES	BODY	ENGINE	TRANS	TRIM	DESCRIPTION
------	-------------	-----	------	--------	------	--------	-------	------	-------------

Sales Codes:
 [EGX]= 3.2L V6 SOHC 18 VALVE
 [EGZ]=3.2L V6 SUPERCHARGED
 [DED]= 6-SPEED MANUAL
 [DGJ]= 5-SPD AUTO, W5A580
 [DGU]=5-SPD AUTO, W5A330



1									BAR, Front Sway
	05098980AA	1			29				
		1			27				
2									CUSHION, Sway Eliminator
	05098933AA	2			29	EGX	DED, DGU		
		2			27	EGX, EGZ	DED, DGJ, DGU		
3									CLAMP, Stabilizer Bar Cushion
	05099734AA	2			29	EGX, EGZ	DED, DGJ, DGU		
		2			27	EGX, EGZ	DED, DGJ, DGU		
4									BOLT, Hex Head
	05097554AA	2			29	EGX, EGZ	DED, DGJ, DGU		
		2			27	EGX, EGZ	DED, DGJ, DGU		
5									BOLT, Hex Head
	06104196AA	2			29	EGX, EGZ	DED, DGJ, DGU		
		4			27	EGX, EGZ	DED, DGJ, DGU		
6									BRACKET, Stabilizer Bar
	05096864AA	1			29	EGX, EGZ	DED, DGJ, DGU		Right
		1			27	EGX, EGZ	DED, DGJ, DGU		Right
	05096865AA	1			29	EGX, EGZ	DED, DGJ, DGU		Left
		1			27	EGX, EGZ	DED, DGJ, DGU		Left
7									NUT, Flange
	05098117AA	2			29	EGX, EGZ	DED, DGJ, DGU		
		2			27	EGX, EGZ	DED, DGJ, DGU		
8									NUT

CROSSFIRE (ZH)

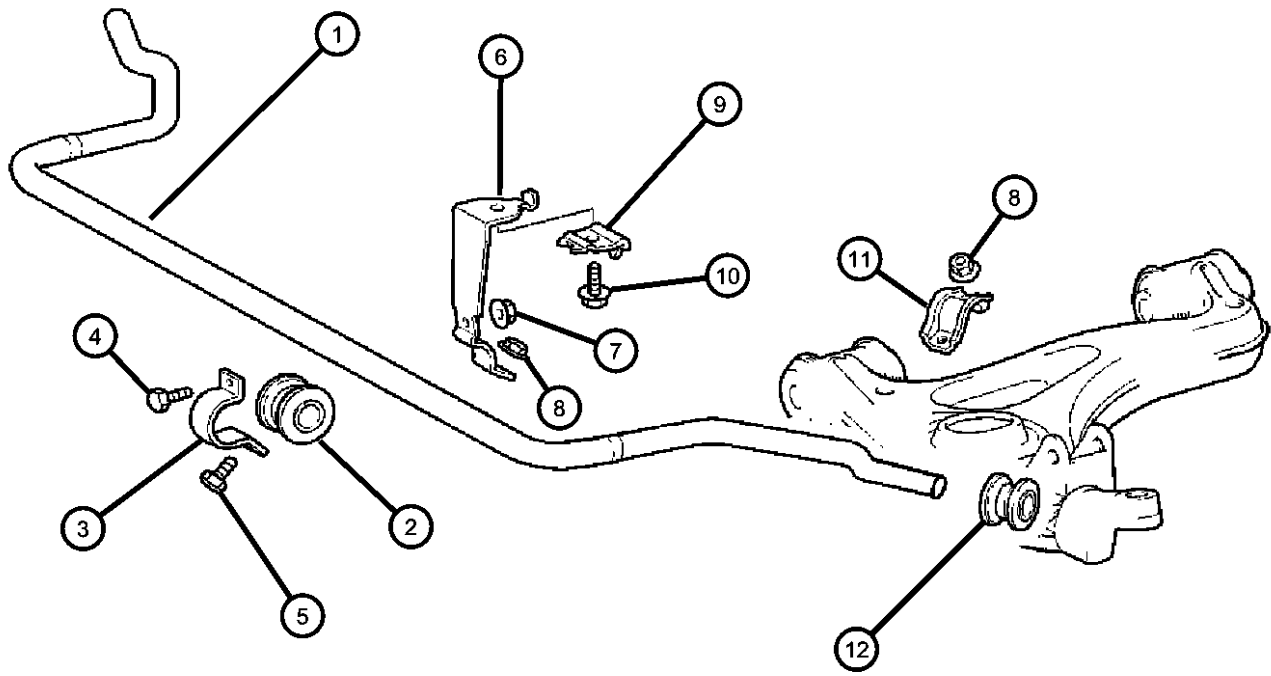
SERIES	LINE	BODY	ENGINE	TRANSMISSION
P = PREMIUM	C = CHRYSLER	27 = 2-DR CONVERTIBLE	EGX = 3.2L V6 SOHC 18 Valve Engine	DED = 6-Speed Manual Transmission
S = SPORT	Z = CHRYSLER	29 = SPECIALTY COUPE	EGZ = 3.2L V6 Supercharged Engine	DGJ = 5-Speed Automatic MB Transmission
X = SPECIAL				DGU = 5-Spd Auto W5A330 Transmission

AR = use ase required - = Non illustrated part

2005 ZH

Sway Bar, Front
Figure 2-130

ITEM	PART NUMBER	QTY	LINE	SERIES	BODY	ENGINE	TRANS	TRIM	DESCRIPTION
	06104716AA	4	C		29	EGX, EGZ	DED, DGJ, DGU		
		4	C		27	EGX, EGZ	DED, DGJ, DGU		
		4	Z		29	EGX	DED, DGU		
		4	Z		27	EGX	DED, DGU		
9									PLATE, Torsion Bar
	05098931AA	2			29	EGX, EGZ	DED, DGJ, DGU		
		2			27	EGX, EGZ	DED, DGJ, DGU		
10									BOLT, Hex Flange Head
	05098356AA	2			29	EGX, EGZ	DED, DGJ, DGU		
		2			27	EGX, EGZ	DED, DGJ, DGU		
11									CLAMP, Stabilizer Bar
	05099731AA	2			29	EGX, EGZ	DED, DGJ, DGU		
		2			27	EGX, EGZ	DED, DGJ, DGU		
12									BUSHING, Stabilizer Bar
	05104862AA	2			29	EGX, EGZ	DED, DGJ, DGU		
		2			27	EGX, EGZ	DED, DGJ, DGU		



CROSSFIRE (ZH)

SERIES	LINE	BODY	ENGINE	TRANSMISSION
P = PREMIUM	C = CHRYSLER	27 = 2-DR CONVERTIBLE	EGX = 3.2L V6 SOHC 18 Valve Engine	DED = 6-Speed Manual Transmission
S = SPORT	Z = CHRYSLER	29 = SPECIALTY COUPE	EGZ = 3.2L V6 Supercharged Engine	DGJ = 5-Speed Automatic MB Transmission
X = SPECIAL				DGU = 5-Spd Auto W5A330 Transmission

AR = use ase required - = Non illustrated part

2005 ZH

Group - 3

Rear Axle

Group - 3 Rear Axle

Illustration Title

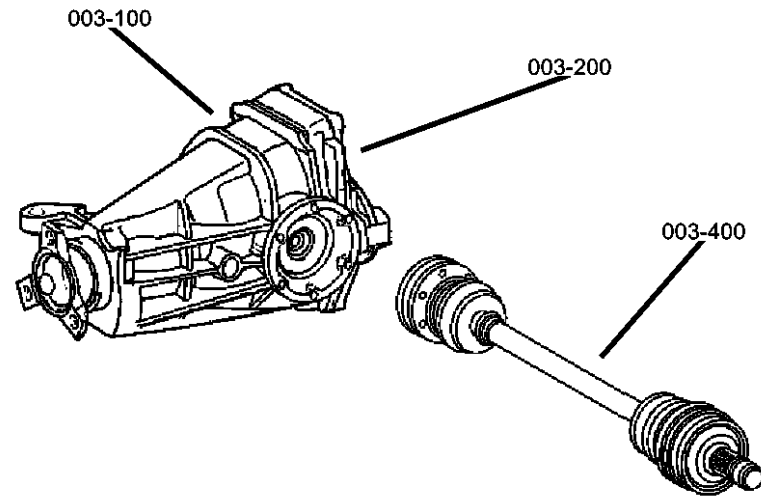
Group-Fig. No.

Differential and Housing

Housing with Differential Fig. 3 - 210

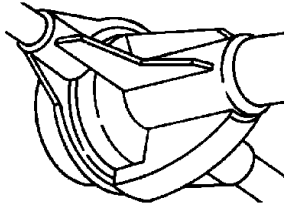
Rear Axle Shafts

Shaft, Rear Axle Fig. 3 - 410



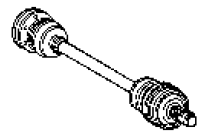
003-200

Differential and Housing

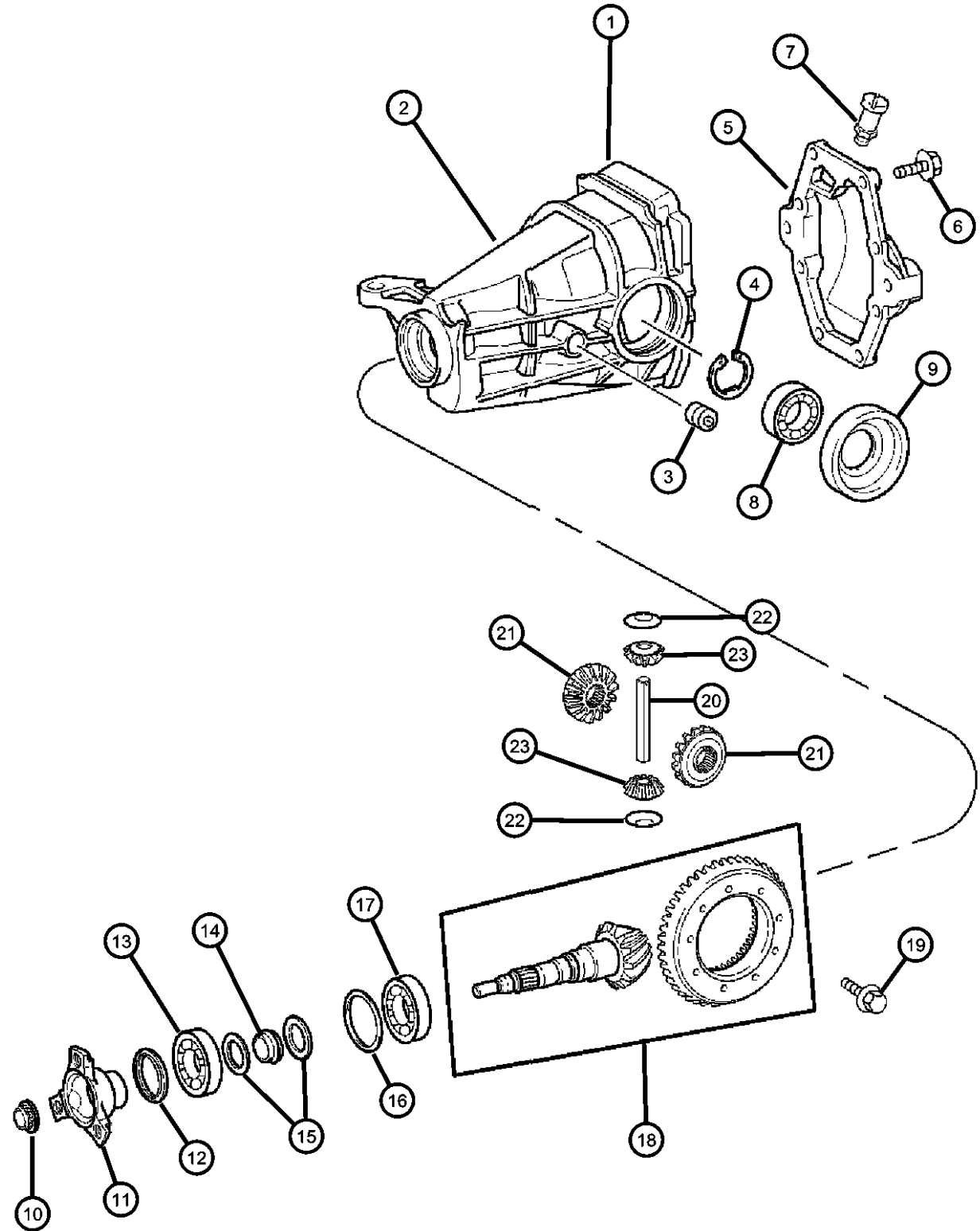


003-400

Rear Axle Shafts



Housing with Differential
Figure 3-210



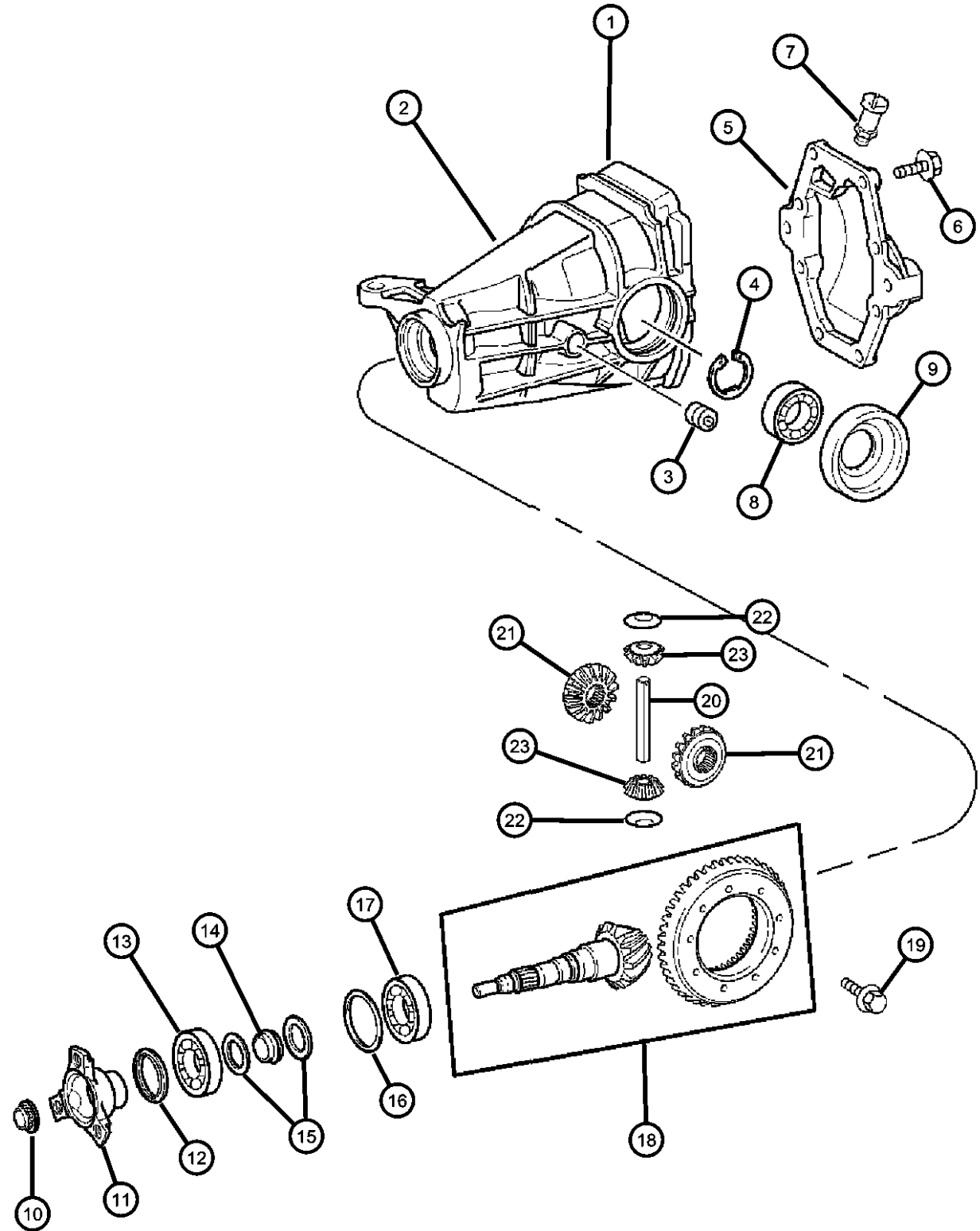
ITEM	PART NUMBER	QTY	LINE	SERIES	BODY	ENGINE	TRANS	TRIM	DESCRIPTION
1	05142715AA	1		S	29				DIFFERENTIAL, Rear Axle
	05136035AA	1		S	27				Differential
	05136035AA	1		S	27				Mopar SAE 75W-85 Gear Lube Quart for Crossfire Axles Differential
	05142716AB	1		X	29				Mopar SAE 75W-85 Gear Lube Quart for Crossfire Axles Splined / With [100 MM] Flange, Differential
	05136035AA	1		X	27				Mopar SAE 75W-85 Gear Lube Quart for Crossfire Axles Splined / With [100 MM] Flange, Differential
	05136035AA	1		X	27				Mopar SAE 75W-85 Gear Lube Quart for Crossfire Axles Splined / With [100 MM] Flange, Differential
	68042188AA	1		X	29				Mopar SAE 75W-85 Gear Lube Quart for Crossfire Axles Non Splined With [110 MM] Flange, Differential
		1		X	27				Mopar SAE 75W-85 Gear Lube Quart for Crossfire Axles Non Splined With [110 MM] Flange, Differential
2	05099238AA	1		P, S, X	29				HOUSING, Rear Axle
		1		P, S, X	27				
3	05097712AB	2		X	29				PLUG, Oil Drain
		2		X	27				
		2		P, S	29				
		2		P, S	27				
4	52111661AB	1		P, S, X	29				RETAINING RING/SHIM, Differential Bearing
		1		P, S, X	27				3.60 MM
	52111666AB	1		P, S, X	29				3.60 MM
		1		P, S, X	27				3.70 MM
	52111671AB	1		P, S, X	29				3.70 MM
		1		P, S, X	27				3.80 MM
	52111674AB	1		P, S, X	29				3.80 MM
		1		P, S, X	27				3.85 MM
	52111676AB	1		P, S, X	29				3.85 MM
		1		P, S, X	27				3.90 MM
	52111679AB	1		P, S, X	29				3.90 MM
		1		P, S, X	27				3.95MM

CROSSFIRE (ZH)

SERIES	LINE	BODY	ENGINE	TRANSMISSION
P = PREMIUM	C = CHRYSLER	27 = 2-DR CONVERTIBLE	EGX = 3.2L V6 SOHC 18 Valve Engine	DED = 6-Speed Manual Transmission
S = SPORT	Z = CHRYSLER	29 = SPECIALTY COUPE	EGZ = 3.2L V6 Supercharged Engine	DGJ = 5-Speed Automatic MB Transmission
X = SPECIAL				DGU = 5-Spd Auto W5A330 Transmission

AR = use ase required - = Non illustrated part

Housing with Differential
Figure 3-210



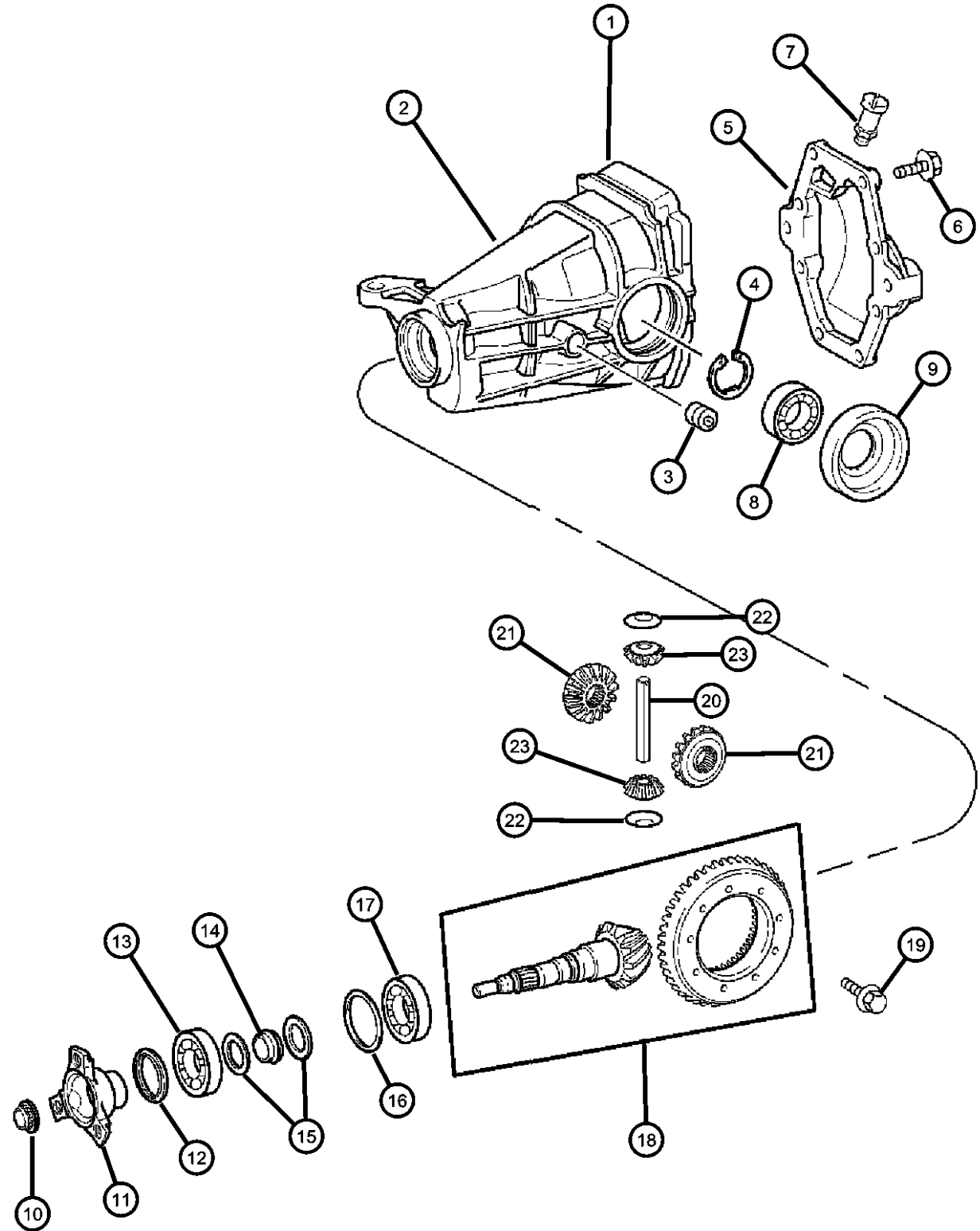
ITEM	PART NUMBER	QTY	LINE	SERIES	BODY	ENGINE	TRANS	TRIM	DESCRIPTION
				P, S, X	27				3.95MM
	52111681AB	1		P, S, X	29				4.00 MM
		1		P, S, X	27				4.00 MM
	52111684AB	1		P, S, X	29				4.05 MM
		1		P, S, X	27				4.05 MM
	52111686AB	1		P, S, X	29				4.10 MM
		1		P, S, X	27				4.10 MM
	52111689AB	1		P, S, X	29				4.15 MM
		1		P, S, X	27				4.15 MM
	52111691AB	1		P, S, X	29				4.20 MM
		1		P, S, X	27				4.20 MM
	52111696AB	1		P, S, X	29				4.30 MM
		1		S, X, P	27				4.30 MM
	52111701AB	1		P, S, X	29				4.40 MM
		1		P, S, X	27				4.40 MM
	52111705AB	1		P, S, X	29				4.45 MM
		1		P, S, X	27				4.45 MM
	52111708AB	1		P, S, X	29				4.50 MM
		1		P, S, X	27				4.50 MM
5									COVER, Rear Axle
	05099802AB	1		P, S	27				
		1		P, S, X	27				
6									BOLT, Hex Head
	06104043AA	8		P, S, X	29				
		8		P, S, X	27				
7									VENT, Axle
	52111492AA	1		P, S	29				
		1		S, P	27				
	52111492AB	1		P, S, X	29				
		1		P, S, X	27				
	52111492AC	1		S, X	29				
		1		S, X	27				
8									BEARING, Differential Case
	52111478AA	2		P, S, X	29				

CROSSFIRE (ZH)

SERIES	LINE	BODY	ENGINE	TRANSMISSION
P = PREMIUM	C = CHRYSLER	27 = 2-DR CONVERTIBLE	EGX = 3.2L V6 SOHC 18 Valve Engine	DED = 6-Speed Manual Transmission
S = SPORT	Z = CHRYSLER	29 = SPECIALTY COUPE	EGZ = 3.2L V6 Supercharged Engine	DGJ = 5-Speed Automatic MB Transmission
X = SPECIAL				DGU = 5-Spd Auto W5A330 Transmission

AR = use ase required - = Non illustrated part

Housing with Differential
Figure 3-210



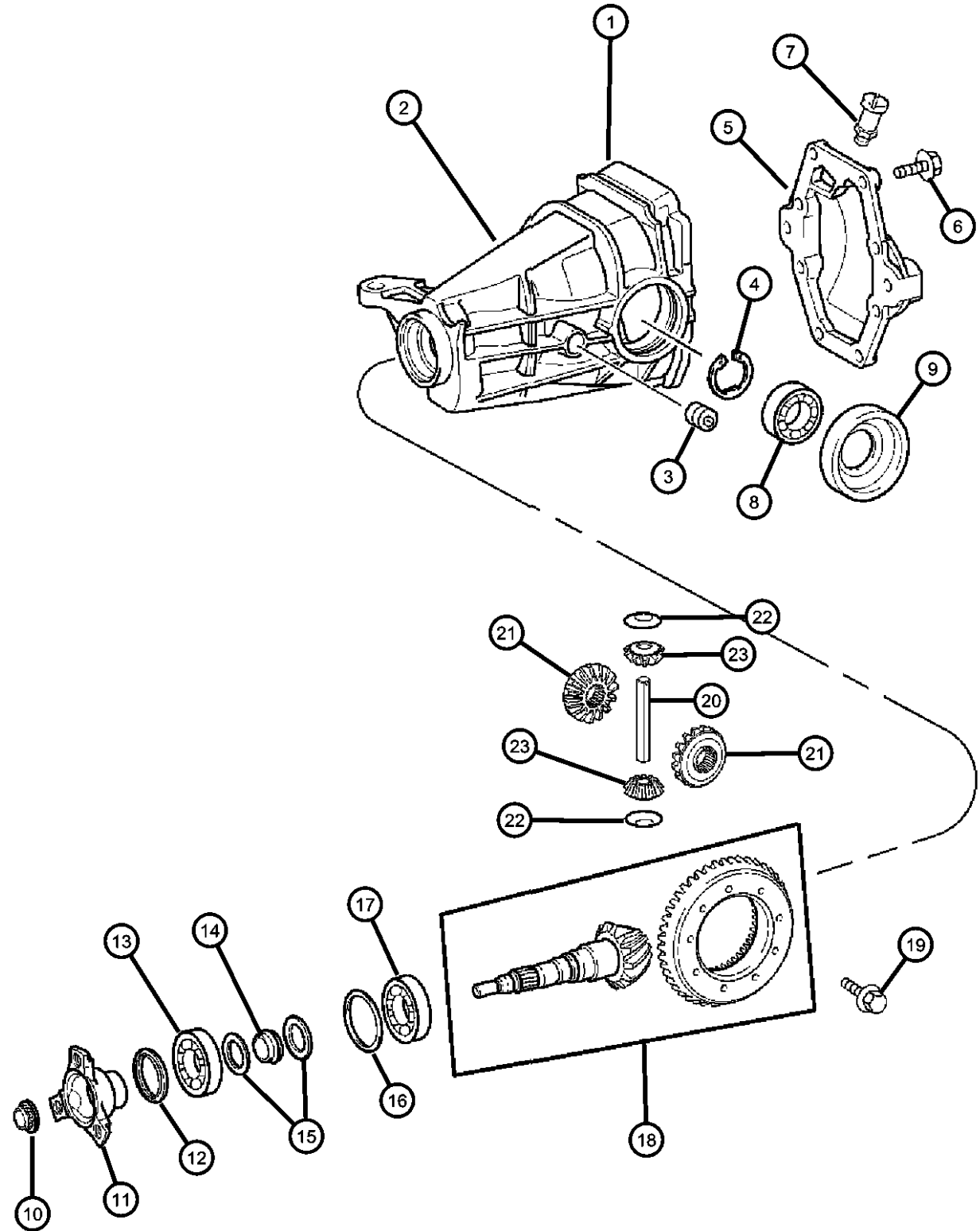
ITEM	PART NUMBER	QTY	LINE	SERIES	BODY	ENGINE	TRANS	TRIM	DESCRIPTION
9		2		P, S, X	27				SEAL, Oil
	05114258AA	2		P, S, X	29				
		2		P, S, X	27				
10		1		P, S, X	29				NUT
	52111449AA	1		P, S, X	29				
		1		P, S, X	27				
11		1		P, S	29				FLANGE, Axle Output
	05114256AA	1		P, S	29				
		1		P, S	27				
	05135488AA	1		P, X					
12		1		P, S, X	29				SEAL
	05114255AA	1		P, S, X	29				
		1		P, S, X	27				
13		1		P, S, X	29				BEARING, Drive Pinion
	52111444AA	1		P, S, X	29				
		1		P, S, X	27				
14		1		P, S, X	29				SPACER, Drive Pinion Bearing
	52111442AA	1		P, S, X	29				
		1		P, S, X	27				
15		2		P, S, X	29				WASHER, Thrust
	52111443AA	2		P, S, X	29				
		2		P, S, X	27				
16		1		P, S, X	29				SHIM, Drive Pinion Bearing
	05139417AA	1		P, S, X	29				1.50 MM
		1		P, S, X	27				1.50 MM
	05139419AA	1		P, S, X	29				1.55MM
		1		P, S, X	27				1.55MM
	05139420AA	1		P, S, X	29				1.60 MM
		1		P, S, X	27				1.60 MM
	05139421AA	1		P, S, X	29				1.65 MM
		1		P, S, X	27				1.65 MM
	05139429AA	1		P, S, X	29				1.70 MM
		1		P, S, X	27				1.70 MM

CROSSFIRE (ZH)

SERIES	LINE	BODY	ENGINE	TRANSMISSION
P = PREMIUM	C = CHRYSLER	27 = 2-DR CONVERTIBLE	EGX = 3.2L V6 SOHC 18	DED = 6-Speed Manual Transmission
S = SPORT	Z = CHRYSLER	29 = SPECIALTY COUPE	Valve Engine	DGJ = 5-Speed Automatic MB
X = SPECIAL			EGZ = 3.2L V6 Supercharged	Transmission
			Engine	DGU = 5-Spd Auto W5A330
				Transmission

AR = use ase required - = Non illustrated part

Housing with Differential
Figure 3-210



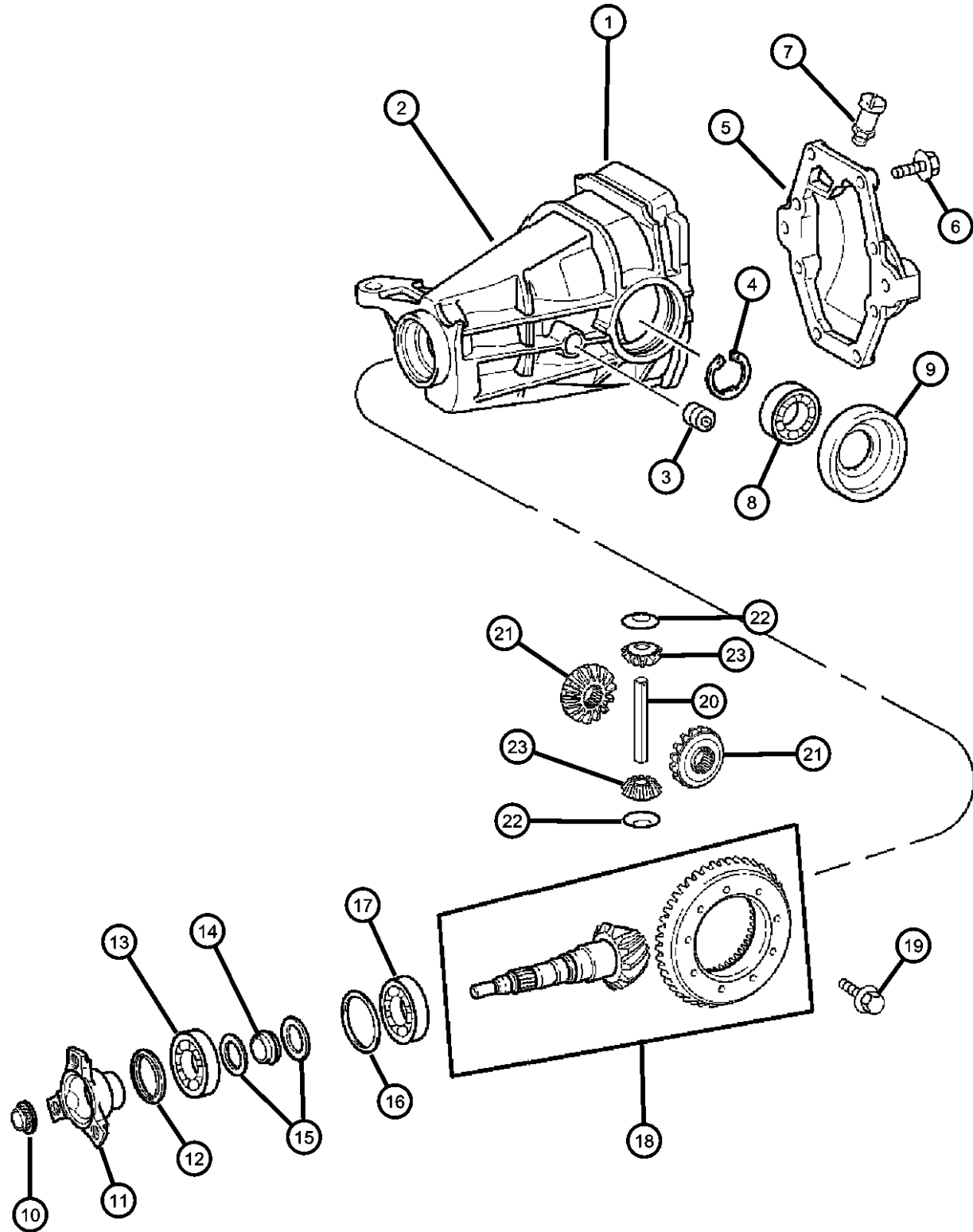
ITEM	PART NUMBER	QTY	LINE	SERIES	BODY	ENGINE	TRANS	TRIM	DESCRIPTION
	05139433AA	1		P, S, X	29				1.75 MM
		1		P, S, X	27				1.75 MM
	05139434AA	1		P, S, X	29				1.80 MM
		1		P, S, X	27				1.80 MM
	05139435AA	1		P, S, X	29				1.85 MM
		1		P, S, X	27				1.85 MM
	05139436AA	1		P, S, X	29				1.90 MM
		1		P, S, X	27				1.90 MM
	05139437AA	1		P, S, X	29				1.95 MM
		1		P, S, X	27				1.95 MM
	05139439AA	1		P, S, X	29				2.00 MM
		1		P, S, X	27				2.00 MM
	05139441AA	1		P, S, X	29				2.05 MM
		1		P, S, X	27				2.05 MM
	05139444AA	1		P, S, X	29				2.10 MM
		1		P, S, X	27				2.10 MM
	05139445AA	1		P, S, X	29				2.15 MM
		1		P, S, X	27				2.15 MM
	05139446AA	1		P, S, X	29				2.20 MM
		1		X, P, S	27				2.20 MM
	05139447AA	1		P, S, X	29				2.25 MM
		1		P, S, X	27				2.25 MM
	05139448AA	1		P, S, X	29				2.30 MM
		1		P, S, X	27				2.30 MM
	05139450AA	1		P, S, X	29				2.35 MM
		1		P, S, X	27				2.35 MM
	05139451AA	1		P, S, X	29				2.40 MM
		1		P, S, X	27				2.40 MM
17									BEARING, Drive Pinion
	52111439AA	1		P, S, X	29				
		1		P, S, X	27				
18									GEAR KIT, Ring And Pinion
	05101729AA	1		S, P	29				
		1		P, S	27				

CROSSFIRE (ZH)

SERIES	LINE	BODY	ENGINE	TRANSMISSION
P = PREMIUM	C = CHRYSLER	27 = 2-DR CONVERTIBLE	EGX = 3.2L V6 SOHC 18 Valve Engine	DED = 6-Speed Manual Transmission
S = SPORT	Z = CHRYSLER	29 = SPECIALTY COUPE	EGZ = 3.2L V6 Supercharged Engine	DGJ = 5-Speed Automatic MB Transmission
X = SPECIAL				DGU = 5-Spd Auto W5A330 Transmission

AR = use ase required - = Non illustrated part

Housing with Differential
Figure 3-210



ITEM	PART NUMBER	QTY	LINE	SERIES	BODY	ENGINE	TRANS	TRIM	DESCRIPTION
	05135490AA	1		X	29				
		1		X	27				
19	05114257AA	10		P, S, X	29				BOLT
		10		P, S, X	27				
20	52111469AA	1		P, S, X	29				SHAFT, Pinion Gear
		1		P, S, X	27				
21	52111466AA	2		P, S, X	29				GEAR, Differential Side
		2		P, S, X	27				
22	52111468AA	2		P, S, X	29				WASHER, Pinion Gear
		2		P, S, X	27				
23	52111467AA	2		P, S, X	29				GEAR, Differential Pinion
		2		P, S, X	27				
-24	05139744AA	1		P, S	29				GASKET, Rear Axle
		1		P, S	27				
-25	52111470AB	1		S	29				PIN, Differential Shaft

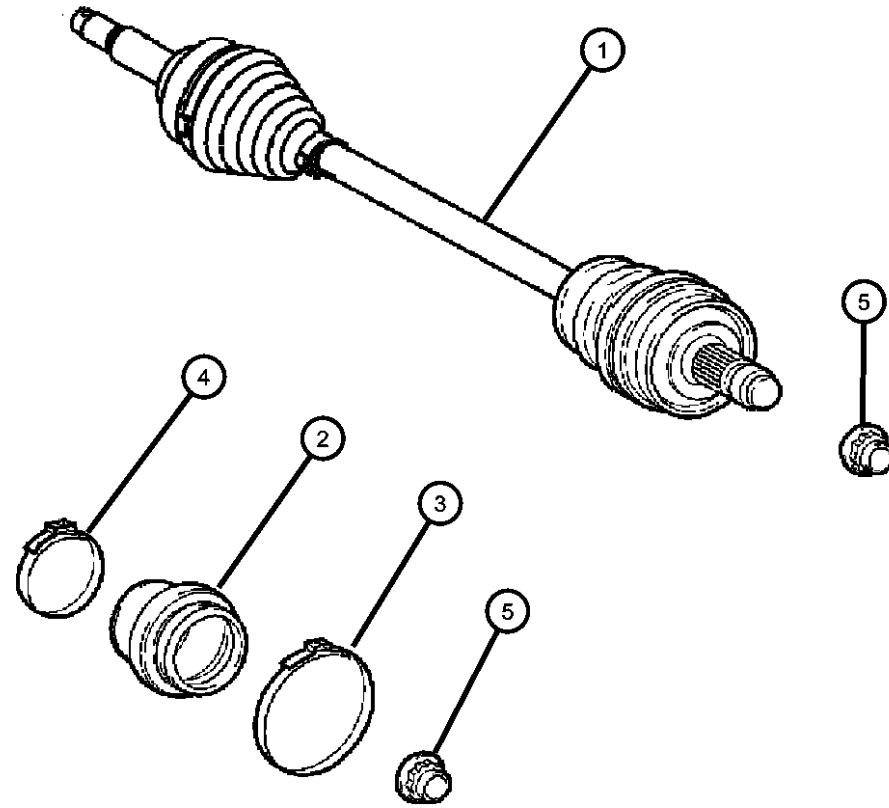
CROSSFIRE (ZH)

SERIES	LINE	BODY	ENGINE	TRANSMISSION
P = PREMIUM	C = CHRYSLER	27 = 2-DR CONVERTIBLE	EGX = 3.2L V6 SOHC 18 Valve Engine	DED = 6-Speed Manual Transmission
S = SPORT	Z = CHRYSLER	29 = SPECIALTY COUPE	EGZ = 3.2L V6 Supercharged Engine	DGJ = 5-Speed Automatic MB Transmission
X = SPECIAL				DGU = 5-Spd Auto W5A330 Transmission

AR = use ase required - = Non illustrated part

2005 ZH

**Shaft, Rear Axle
Figure 3-410**



ITEM	PART NUMBER	QTY	LINE	SERIES	BODY	ENGINE	TRANS	TRIM	DESCRIPTION
1									SHAFT, Axle Half
	05140893AB	1		S	29				
		1		S	27				
		2		P, S	29				
		2		P, S	27				
	05159934AA	1		X	29				Right
		1		X	27				Right
	05159935AA	1		X	29				Left
		1		X	27				Left
	05159990AA	2		X	29				
		2		X	27				
2									BOOT, Axle shaft
	05114243AA	2		P, S	29				
		2		P, S	27				
		2		X	29				
		2		X	27				
3									CLAMP, Boot
	05114246AA	2		P, S, X	29				
		2		P, S, X	27				
4									CLAMP, Boot
	05114247AA	2		P, S	29				
		2		P, S	27				
		2		X	29				
		2		X	27				
5									NUT, Flange
	05096387AA	2		P, S, X	29				
		2		P, S, X	27				
6									RING, Axle Shaft
	05114252AA	1		P, S	29				
		1		P, S	27				
-7									COVER, Axle Shaft Dust
	05114251AA	1		P, S, X	29				Axle Shaft Dust
		1		P, S, X	27				Axle Shaft Dust

CROSSFIRE (ZH)

SERIES	LINE	BODY	ENGINE	TRANSMISSION
P = PREMIUM	C = CHRYSLER	27 = 2-DR CONVERTIBLE	EGX = 3.2L V6 SOHC 18	DED = 6-Speed Manual Transmission
S = SPORT	Z = CHRYSLER	29 = SPECIALTY COUPE	Valve Engine	DGJ = 5-Speed Automatic MB
X = SPECIAL			EGZ = 3.2L V6 Supercharged	Transmission
			Engine	DGU = 5-Spd Auto W5A330
				Transmission

AR = use ase required - = Non illustrated part

2005 ZH

Group - 4

Parking Brake

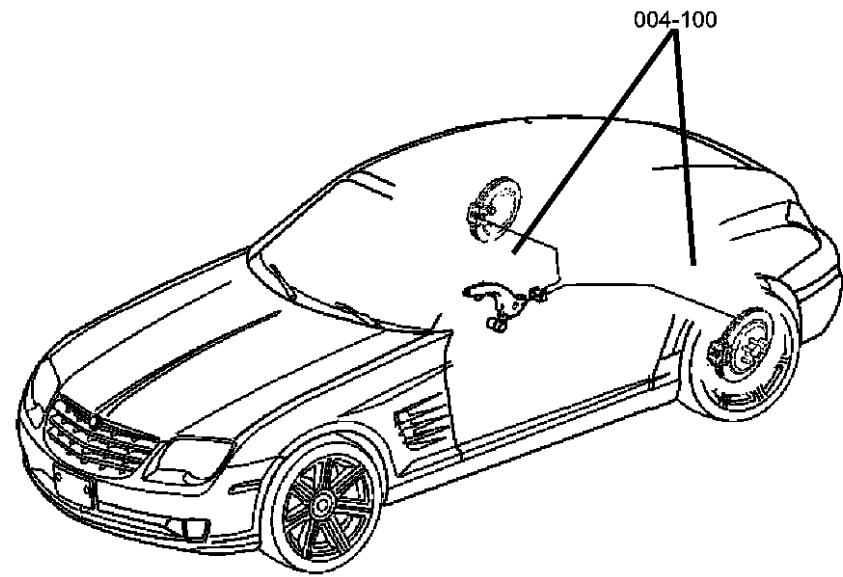
Group - 4 Parking Brake

Group-Fig. No.

Illustration Title

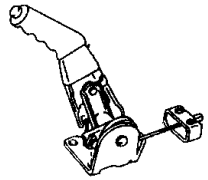
Parking Brake Lever and Cables

Lever and Cables	Fig. 4 - 110
Brake Assembly, Parking	Fig. 4 - 120

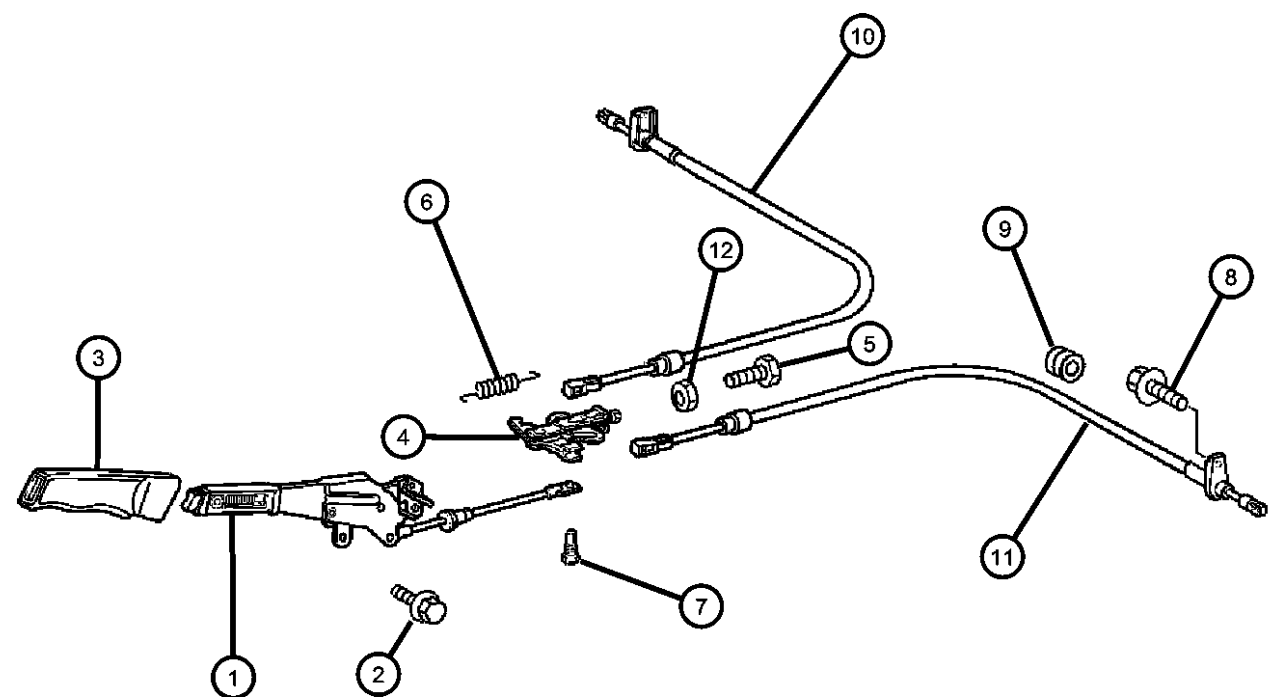


004-100

004-100
Parking Brake Lever and Cables



Lever and Cables
Figure 4-110



ITEM	PART NUMBER	QTY	LINE	SERIES	BODY	ENGINE	TRANS	TRIM	DESCRIPTION
1	05098499AA	1			29				LEVER, Park Brake
		1			27				
2	05098122AA	2			29				BOLT, Brake Mounting
		2			27				
3	05096623AA	1			29				HANDLE, Parking Brake
		1			27				
4	05101692AA	1			29				ADJUSTER, Parking Brake Cable
		1			27				
5	05098364AA	1			29				BOLT
		1			27				
6	05096744AA	1			29				SPRING, Tension
		1			27				
7	05097540AA	1			29				SCREW, Adjusting
		1			27				
8	05098124AA	2			29				SCREW Cable Mounting
		2			27				Cable Mounting
9	05097181AA	2			29				GROMMET
		2			27				
10	05098987AA	1			29				CABLE, Parking Brake Right
		1			27				Right
11	05098986AA	1			29				CABLE, Parking Brake Left
		1			27				Left
12									NUT, Parking Brake Adjusting

CROSSFIRE (ZH)

SERIES	LINE	BODY	ENGINE	TRANSMISSION
P = PREMIUM	C = CHRYSLER	27 = 2-DR CONVERTIBLE	EGX = 3.2L V6 SOHC 18	DED = 6-Speed Manual Transmission
S = SPORT	Z = CHRYSLER	29 = SPECIALTY COUPE	Valve Engine	DGJ = 5-Speed Automatic MB
X = SPECIAL			EGZ = 3.2L V6 Supercharged	Transmission
			Engine	DGU = 5-Spd Auto W5A330
				Transmission

AR = use ase required - = Non illustrated part

2005 ZH

<< RETURN TO GROUP INDEX

This is the cut pages sample. Download all 444 page(s) at: ManualPlace.com