

## VIN PLATE DECODING INFORMATION

1	2	3	4	5	6	7	8	9	10	11	12 thru 17
Country	Make	Vehicle Type	Other	Line	Series	Body Style	Engine	Check Digit	Model Year	Assy. Plant	Sequence No.

The following table interprets the VIN Plate position shown above.

Position	Interpretation	Codes = Description
1	Country of Origin	1 = DaimlerChrysler Corporation
2	Assembler	C = Chrysler
3	Vehicle Type	3 = Passenger
4	GVWR & Pass. Safety	A = Restraint System Active Front & Side Air Bags (CGS) B = Restraint System Manual/Active Uni-belt (CGA) D = Restraint System w/o Air Bags (CGJ) E = Restraint System Active Driver & Passenger Air Bags (CGW)
5	Vehicle Line	N = Crossfire (LHD) P = Crossfire (RHD)
6	Series	5 = Premium
7	Body Style	6 = Crossfire (29)
8	Engine	L = 3.2L V6 18V SOHC (EGX) N = 3.2L V6 Supercharged (EGZ)
9	Check Digit	0 = Check Digit 0 = Check Digit 0 = Check Digit
10	Model Year	4 = 2004 4 = 2004
11	Assembly Plant	X = Karmann - Osnabrueck X = Karmann - Osnabrueck
12 thru 17	Vehicle Build Sequence	Model Year Assembly Sequence

# Group - 2

## Front Suspension & Drive

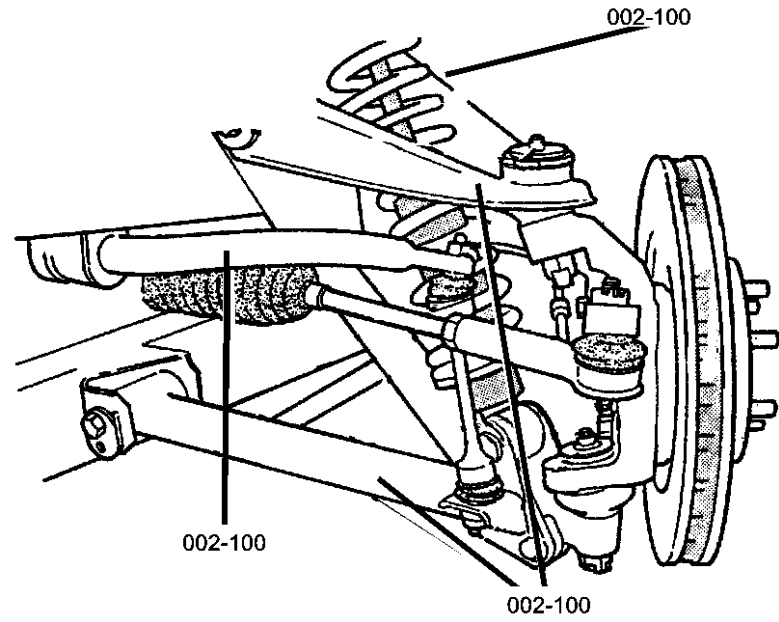
### Group - 2 Front Suspension & Drive

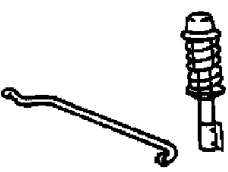
Illustration Title

Group-Fig. No.

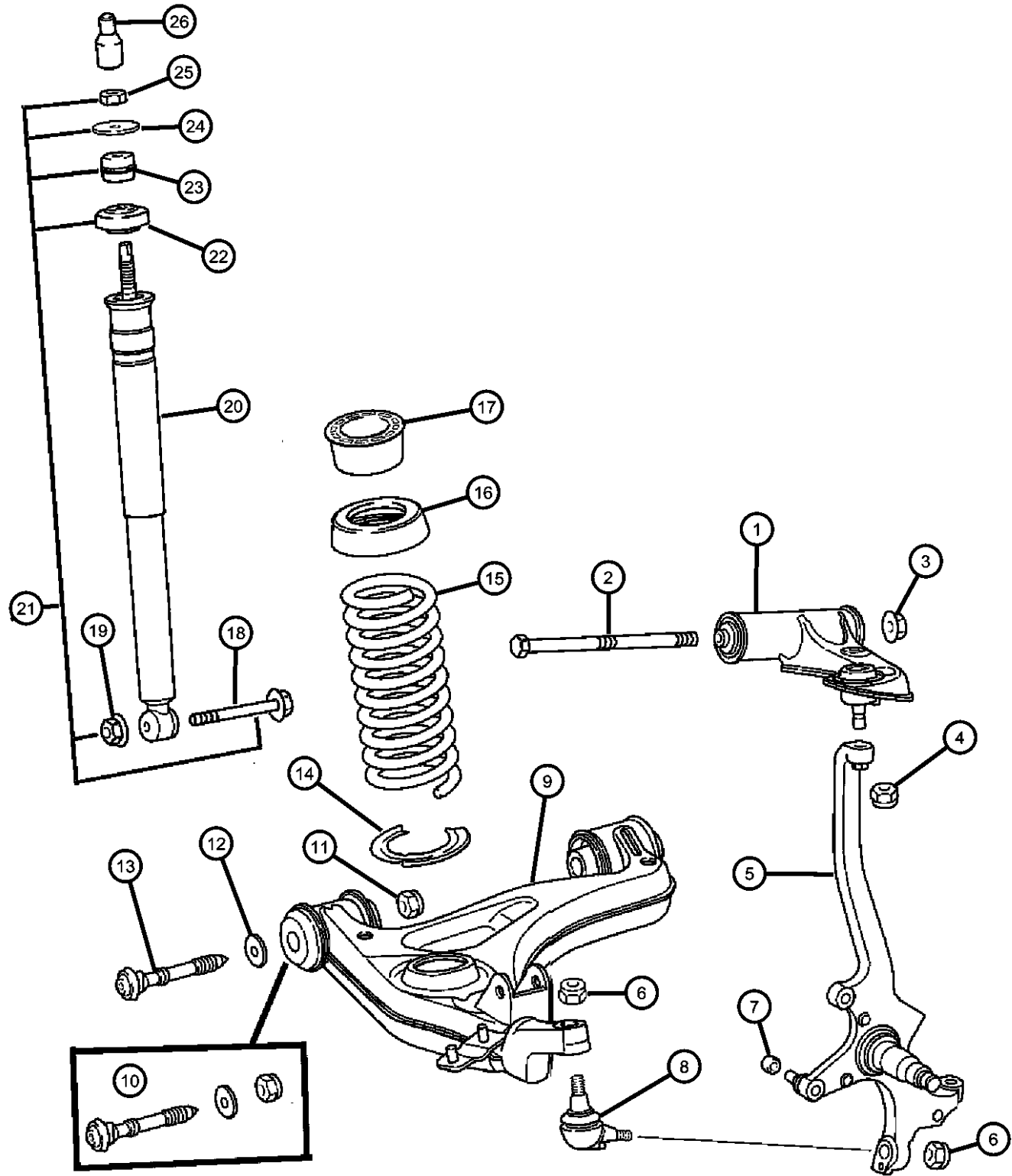
#### Front Suspension

Suspension, Front..... Fig. 2 - 120  
 Sway Bar, Front ..... Fig. 2 - 130



<p><b>002-100</b> Front Suspension</p> 			
---	--	--	--

Suspension, Front  
Figure 2-120



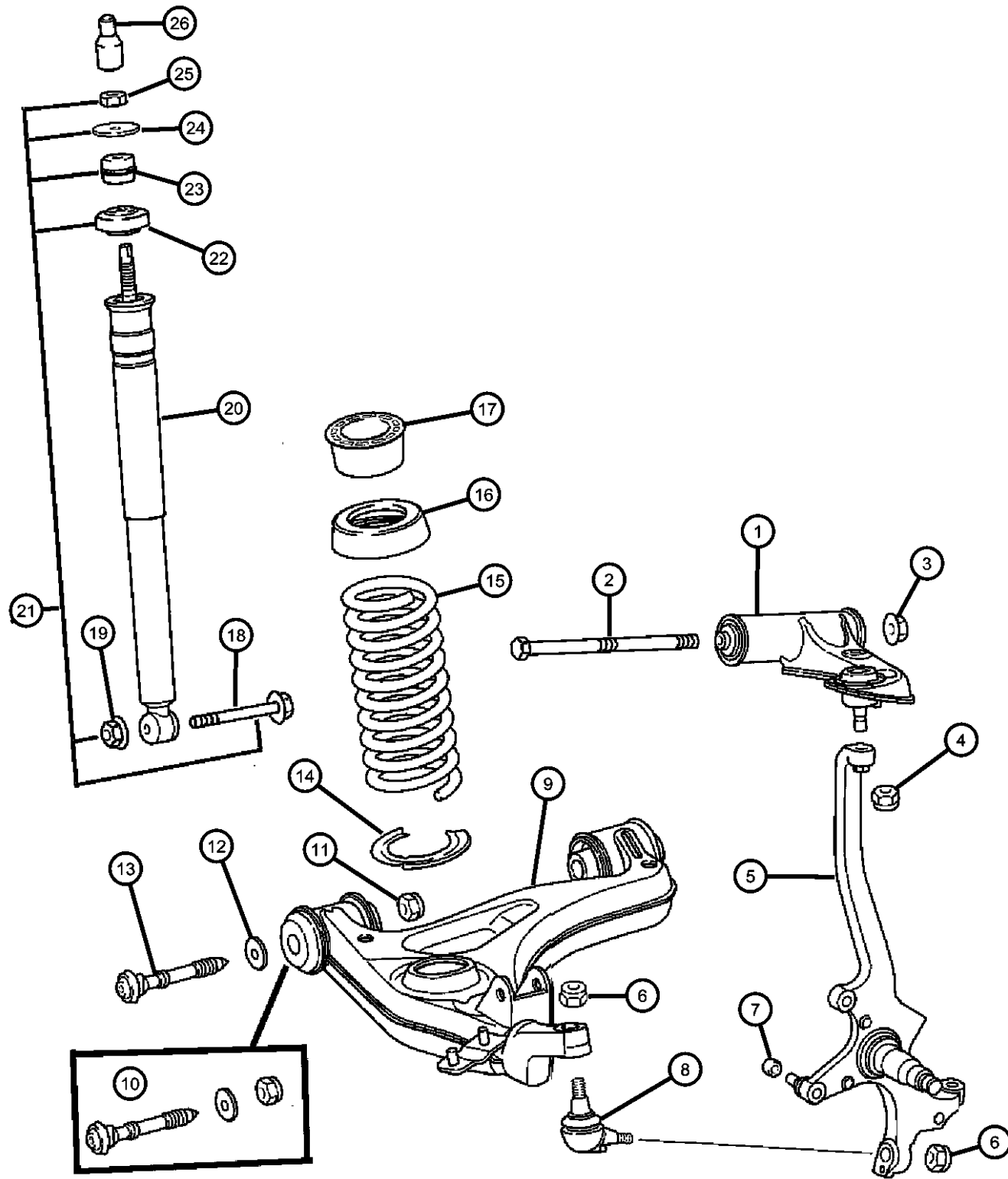
ITEM	PART NUMBER	QTY	LINE	SERIES	BODY	ENGINE	TRANS	TRIM	DESCRIPTION
1									ARM, Upper Control, Front
	05101056AA	1			29				Left
	05101057AA	1			29				Right
2	05097584AA	2			29				BOLT
3	05098116AA	2			29				NUT, Hex Flange
4	05097588AA	1			29				NUT
5									KNUCKLE, Front
	05097556AA	1			29				Right
	05097557AA	1			29				Left
6	05097586AA	2			29				NUT, Hex
7	05101546AA	2			29				CAP, Bolt Cover
8	05099237AA	1			29				BALL JOINT, Lower Control Arm
9									ARM, Lower Control, Front
	05099898AA	1			29				Left
	05099899AA	1			29				
10	05140876AA	1			29				BOLT KIT, Camber Adjustment, Contains Items 11, 12, 13
11	05097586AA	2			29				NUT, Hex
12	05099736AA	2			29				WASHER
13	05097558AA	2			29				SCREW
14	05099730AA	2			29				ISOLATOR, Spring
15	05102297AA	2			29				SPRING, Front Coil
16									ISOLATOR, Spring
	05102303AA	2			29				1 Burl [5 MM]
	05102304AA	2			29				2 Burls [9 MM]
	05102305AA	2			29				3 Burls [13 MM]
	05102306AA	2			29				4 Burls [17 MM]
	05102307AA	2			29				5 Burls [21 MM]
17	05099176AA	2			29				SUPPORT, Shock Absorber
18	05096989AA	2			29				BOLT, Hex Flange Head
19	05098116AA	2			29				NUT, Hex Flange
20	05096749AA	2			29				SHOCK ABSORBER, Suspension, Front
21	05127493AA	2			29				REPAIR KIT, Shock absorber
22	05101369AA	2			29				GROMMET, Shock Absorber

CROSSFIRE (ZH)

SERIES	LINE	BODY	ENGINE	TRANSMISSION
P = PREMIUM	C = CHRYSLER	27 = 2-DR CONVERTIBLE	EGX = Engine - 3.2L V6 SOHC 18 Valve	DGJ = Transmission-5-Spd. Automatic,W5A580
S = SPORT	Z = CHRYSLER	29 = SPECIALTY COUPE	EGZ = Engine - 3.2L V6 Supercharged	DED = Transmission - 6-Speed Manual DGU = Transmission - 5-Spd Automatic
X = SPECIAL				

AR = use ase required - = Non illustrated part

Suspension, Front  
Figure 2-120



ITEM	PART NUMBER	QTY	LINE	SERIES	BODY	ENGINE	TRANS	TRIM	DESCRIPTION
23	05101368AA	2			29				GROMMET, Shock Absorber
24	05099735AA	2			29				WASHER, Shock Absorber
25	05096974AA	2			29				NUT, Hex
26	05101244AA	2			29				CAP, Shock Absorber

CROSSFIRE (ZH)

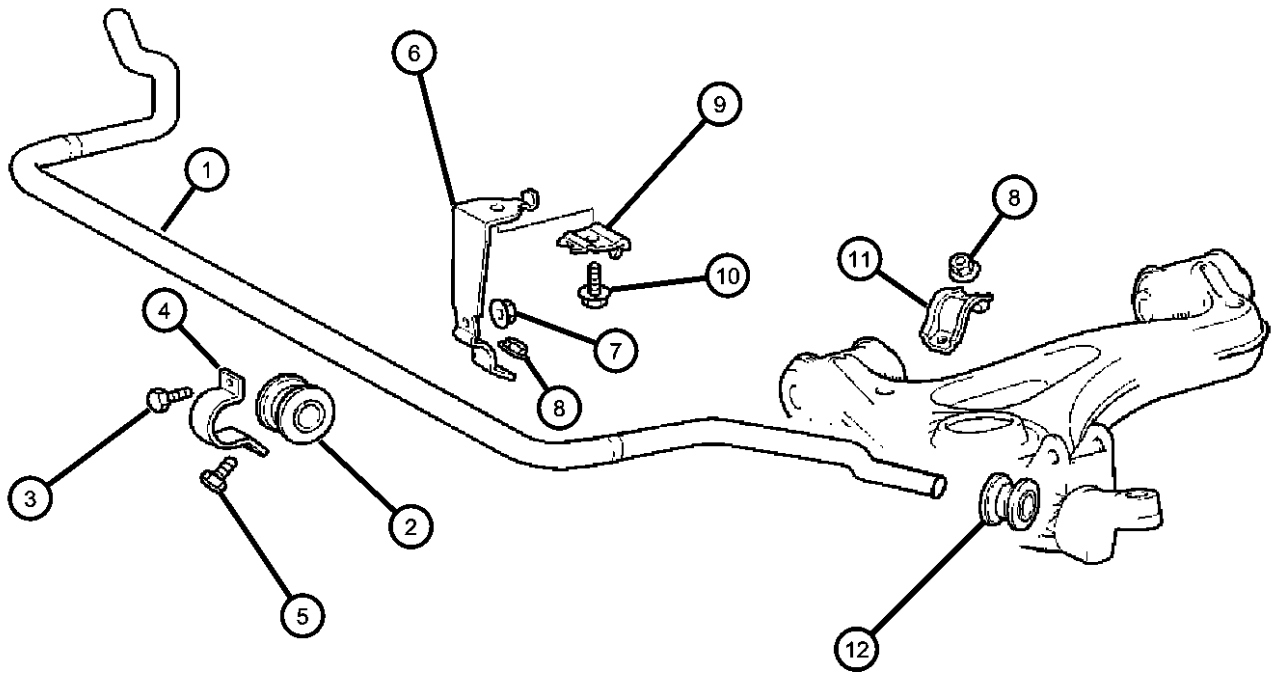
SERIES	LINE	BODY	ENGINE	TRANSMISSION
P = PREMIUM	C = CHRYSLER	27 = 2-DR CONVERTIBLE	EGX = Engine - 3.2L V6 SOHC 18 Valve	DGJ = Transmission-5-Spd. Automatic, W5A580
S = SPORT	Z = CHRYSLER	29 = SPECIALTY COUPE	EGZ = Engine - 3.2L V6 Supercharged	DED = Transmission - 6-Speed Manual
X = SPECIAL				DGU = Transmission - 5-Spd Automatic

AR = use ase required - = Non illustrated part

2004 ZH

Sway Bar, Front  
Figure 2-130

ITEM	PART NUMBER	QTY	LINE	SERIES	BODY	ENGINE	TRANS	TRIM	DESCRIPTION
1	05098980AA	1			29				BAR, Front Sway
2	05098933AA	2			29				CUSHION, Sway Eliminator
3	05099734AA	2			29				CLAMP, Stabilizer Bar Cushion
4	05097554AA	2			29				BOLT, Hex Head
5	05096987AA	2			29				BOLT, Hex Head
6									BRACKET, Stabilizer Bar
	05096864AA	1			29				Right
	05096865AA	1			29				Left
7	05098117AA	2			29				NUT, Flange
8	06104716AA	4			29		DED		NUT
9	05098931AA	2			29				CLAMP, Stabilizer Bar
10	05098356AA	2			29				BOLT, Hex Flange Head
11	05099731AA	2			29				CLAMP, Stabilizer Bar
12	05104862AA	2			29				BUSHING, Stabilizer Bar



CROSSFIRE (ZH)

SERIES	LINE	BODY	ENGINE	TRANSMISSION
P = PREMIUM	C = CHRYSLER	27 = 2-DR CONVERTIBLE	EGX = Engine - 3.2L V6 SOHC 18 Valve	DGJ = Transmission-5-Spd. Automatic,W5A580
S = SPORT	Z = CHRYSLER	29 = SPECIALTY COUPE	EGZ = Engine - 3.2L V6 Supercharged	DED = Transmission - 6-Speed Manual
X = SPECIAL				DGU = Transmission - 5-Spd Automatic

AR = use ase required - = Non illustrated part

2004 ZH

# Group - 3

## Rear Axle

### Group - 3 Rear Axle

Illustration Title

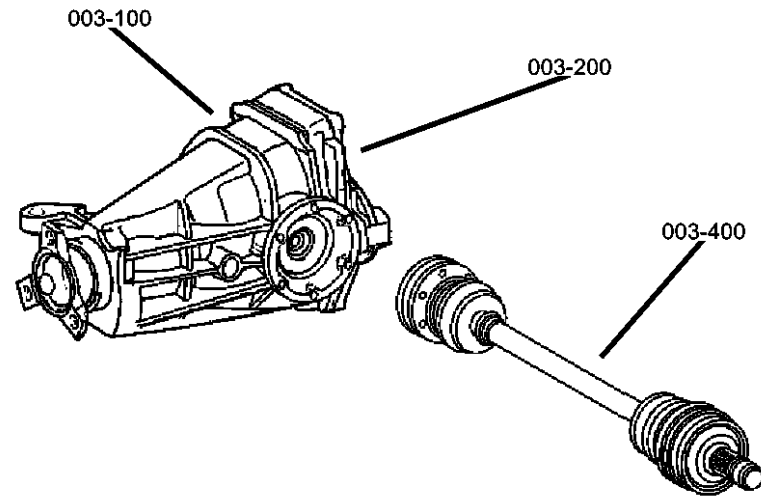
Group-Fig. No.

#### Differential and Housing

Housing with Differential ..... Fig. 3 - 210

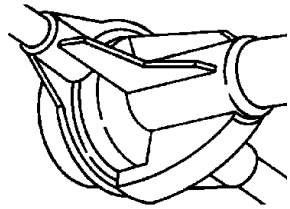
#### Rear Axle Shafts

Shaft, Rear Axle ..... Fig. 3 - 410



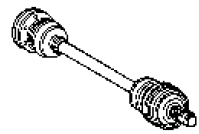
**003-200**

Differential and Housing

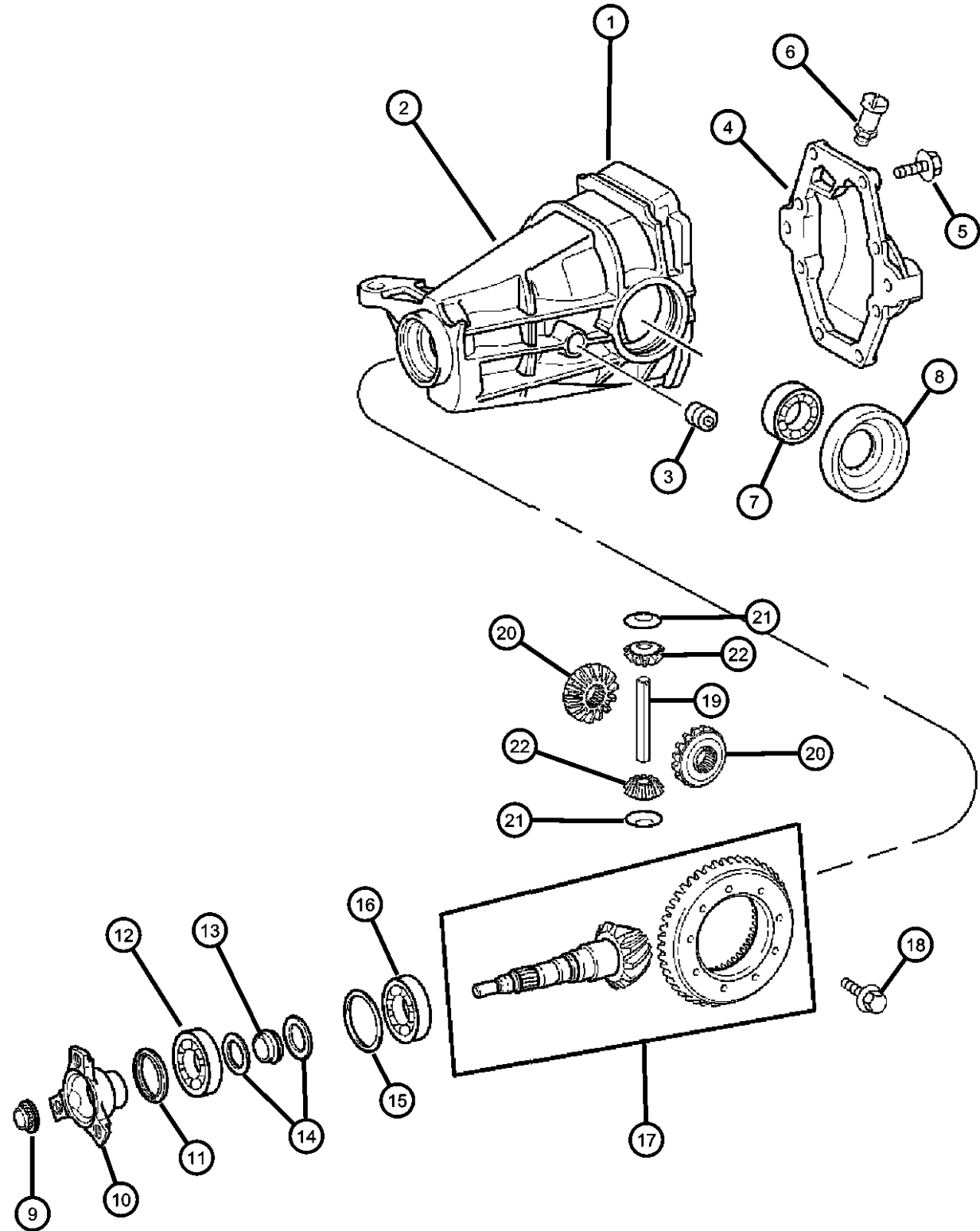


**003-400**

Rear Axle Shafts



Housing with Differential  
Figure 3-210



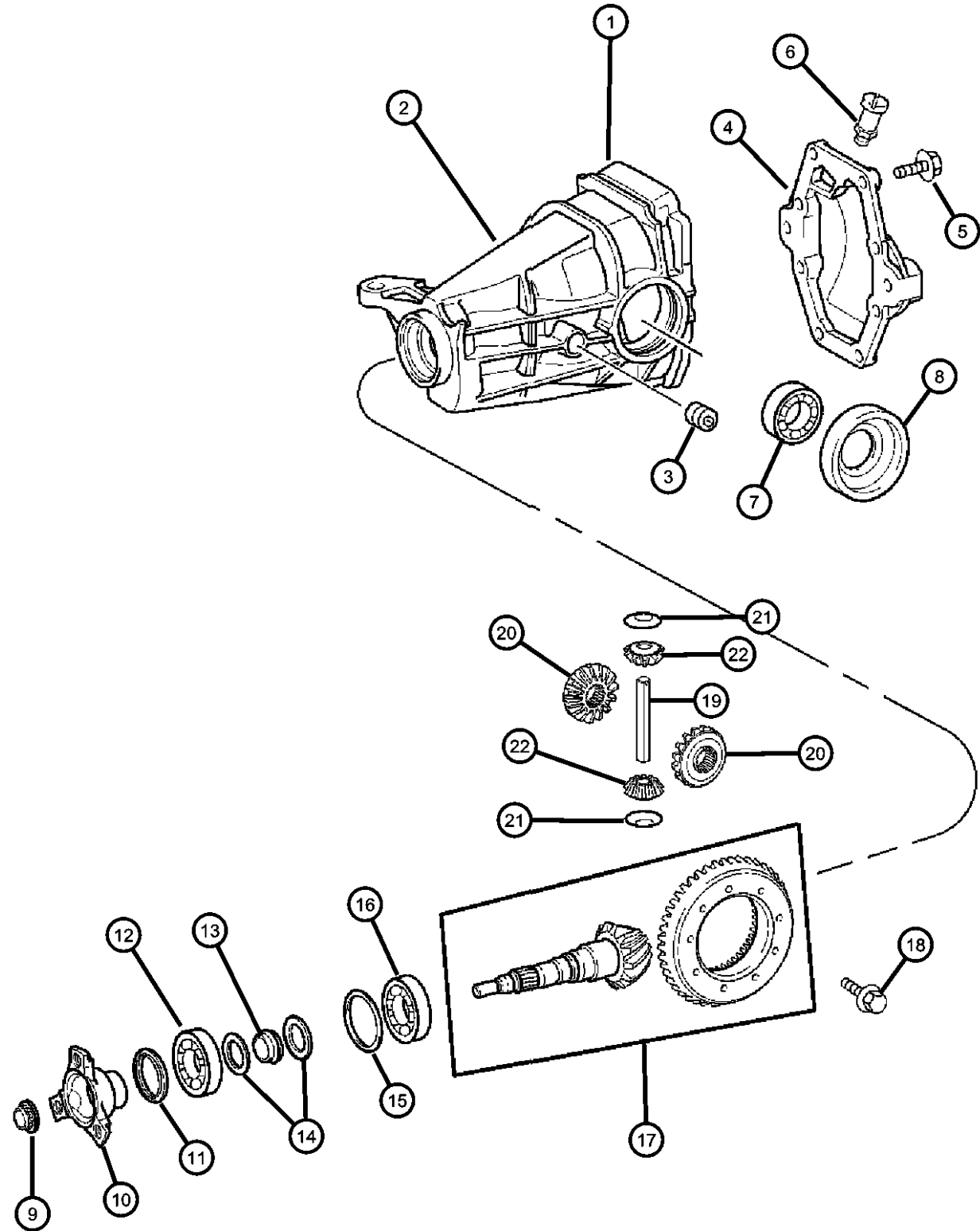
ITEM	PART NUMBER	QTY	LINE	SERIES	BODY	ENGINE	TRANS	TRIM	DESCRIPTION
1	05142715AA	1		S	29				DIFFERENTIAL, Rear Axle
	05136035AA								Mopar SAE 75W-85 Gear Lube Quart for Crossfire Axles
2	05099238AA	1		S	29				HOUSING, Rear Axle
3	05097712AB	2		S	29				PLUG, Oil Drain
4	05099802AA	1		S	29				COVER, Rear Axle
5	06104043AA	8		S	29				BOLT, Hex Head
6	05096564AA	1		S	29				VENT
7	52111478AA	2		S	29				BEARING, Differential Case
8	05114258AA	2		S	29				SEAL, Oil
9	52111449AA	1		S	29				NUT
10	52111451AA	1		S	29				FLANGE, Drive Shaft
11	05114255AA	1		S	29				SEAL, Axle Drive Shaft
12	52111444AA	1		S	29				BEARING, Drive Pinion
13	52111442AA	1		S	29				SPACER, Drive Pinion Bearing
14	52111443AA	1		S	29				WASHER, Thrust
15									SHIM, Drive Pinion Bearing
	05139417AA	1		S	29				1.50 MM
		1		S	27				1.50 MM
	05139419AA	1		S	29				1.55 MM
		1		S	27				1.55 MM
	05139420AA	1		S	29				1.60 MM
		1		S	27				1.60 MM
	05139421AA	1		S	29				1.65 MM
		1		S	27				1.65 MM
	05139429AA	1		S	29				1.70 MM
		1		S	27				1.70 MM
	05139433AA	1		S	29				1.75 MM
		1		S	27				1.75 MM
	05139434AA	1		S	29				1.80 MM
		1		S	27				1.80 MM
	05139435AA	1		S	29				1.85 MM
		1		S	27				1.85 MM
	05139436AA	1		S	29				1.90 MM
		1		S	27				1.90 MM

**CROSSFIRE (ZH)**

SERIES	LINE	BODY	ENGINE	TRANSMISSION
P = PREMIUM	C = CHRYSLER	27 = 2-DR CONVERTIBLE	EGX = Engine - 3.2L V6 SOHC 18 Valve	DGJ = Transmission-5-Spd. Automatic,W5A580
S = SPORT	Z = CHRYSLER	29 = SPECIALTY COUPE	EGZ = Engine - 3.2L V6 Supercharged	DED = Transmission - 6-Speed Manual
X = SPECIAL				DGU = Transmission - 5-Spd Automatic

AR = use ase required - = Non illustrated part

Housing with Differential  
Figure 3-210



ITEM	PART NUMBER	QTY	LINE	SERIES	BODY	ENGINE	TRANS	TRIM	DESCRIPTION
	05139437AA	1		S	29				1.95 MM
		1		S	27				1.95 MM
	05139439AA	1		S	29				2.00 MM
		1		S	27				2.00 MM
	05139441AA	1		S	29				2.05 MM
		1		S	27				2.05 MM
	05139444AA	1		S	29				2.10 MM
		1		S	27				2.10 MM
	05139445AA	1		S	29				2.15 MM
		1		S	27				2.15 MM
	05139446AA	1		S	29				2.20 MM
		1		S	27				2.20 MM
	05139447AA	1		S	29				2.25 MM
		1		S	27				2.25 MM
	05139448AA	1		S	29				2.30 MM
		1		S	27				2.30 MM
	05139450AA	1		S	29				2.35 MM
		1		S	27				2.35 MM
	05139451AA	1		S	29				2.40 MM
		1		S	27				2.40 MM
16	52111439AA	1		S	29				BEARING, Drive Pinion
17	05101729AA	1		S	29				GEAR KIT, Ring And Pinion
18	05114257AA	10		S	29				BOLT
19	52111469AA	1		S	29				SHAFT, Pinion Gear
20	52111466AA	2		S	29				GEAR, Differential Side
21	52111468AA	2		S	29				WASHER, Pinion Gear
22	52111467AA	2		S	29				GEAR, Differential Pinion

CROSSFIRE (ZH)

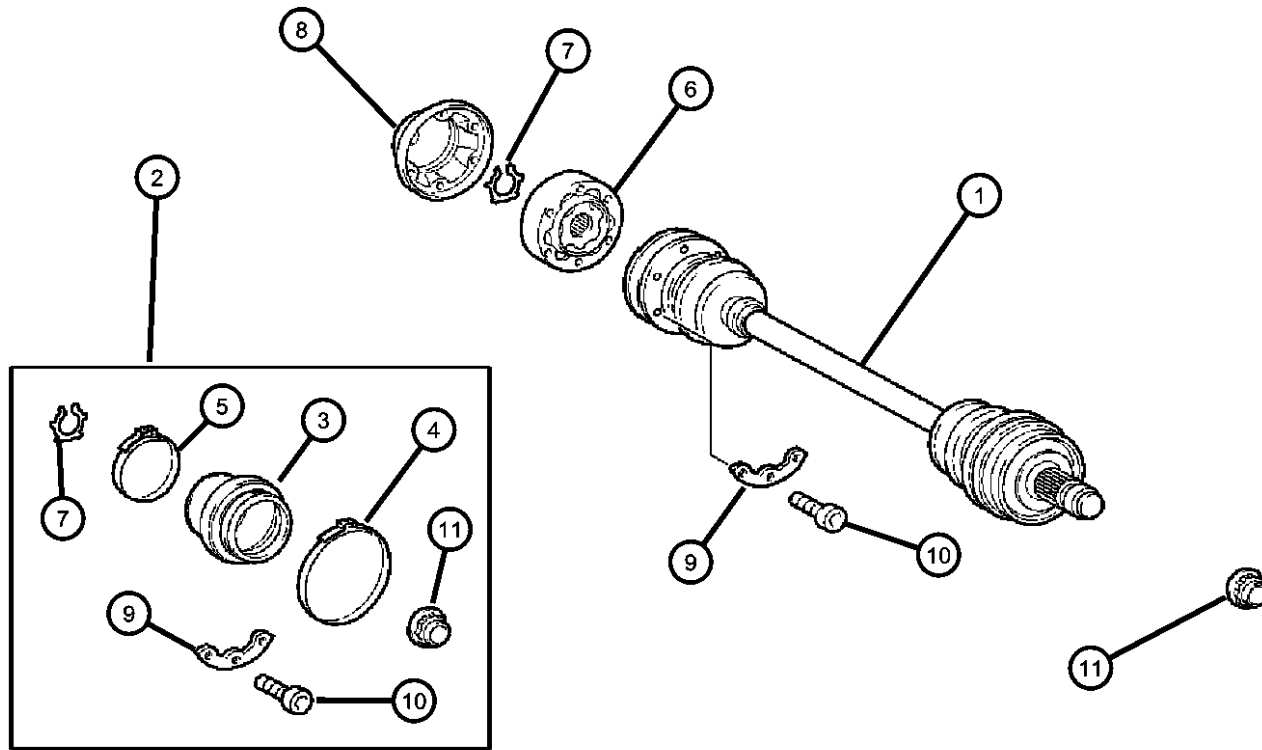
SERIES	LINE	BODY	ENGINE	TRANSMISSION
P = PREMIUM	C = CHRYSLER	27 = 2-DR CONVERTIBLE	EGX = Engine - 3.2L V6 SOHC 18 Valve	DGJ = Transmission-5-Spd. Automatic,W5A580
S = SPORT	Z = CHRYSLER	29 = SPECIALTY COUPE	EGZ = Engine - 3.2L V6 Supercharged	DED = Transmission - 6-Speed Manual
X = SPECIAL				DGU = Transmission - 5-Spd Automatic

AR = use ase required - = Non illustrated part



Shaft, Rear Axle  
Figure 3-410

ITEM	PART NUMBER	QTY	LINE	SERIES	BODY	ENGINE	TRANS	TRIM	DESCRIPTION
1	05140893AA	2		S	29				SHAFT, Axle Half, Splined Version, Right or Left
2	05127474AA	2		S	29				BOOT KIT, Half Shaft, Inner
3	05114243AA	4		S	29				BOOT, Axle shaft
4	05096907AA	4		S	29				CLAMP, Boot
5	05096853AA	4		S	29				CLAMP, Boot
6	05098195AA	2		S	29				JOINT, Inner CV
7	05098195AA	2							CIRCLIP, Axle Shaft, (NOT SERVICED)
8	05101547AA	2		S	29				CAP
9	05098939AA	4		S	29				RETAINER
10	05098939AA	4							BOLT, (NOT SERVICED)
11	05096387AA	2		S	29				NUT, Flange



CROSSFIRE (ZH)

SERIES	LINE	BODY	ENGINE	TRANSMISSION
P = PREMIUM	C = CHRYSLER	27 = 2-DR CONVERTIBLE	EGX = Engine - 3.2L V6 SOHC 18 Valve	DGJ = Transmission-5-Spd. Automatic, W5A580
S = SPORT	Z = CHRYSLER	29 = SPECIALTY COUPE	EGZ = Engine - 3.2L V6 Supercharged	DED = Transmission - 6-Speed Manual
X = SPECIAL				DGU = Transmission - 5-Spd Automatic

AR = use ase required - = Non illustrated part

2004 ZH

# Group - 4

## Parking Brake

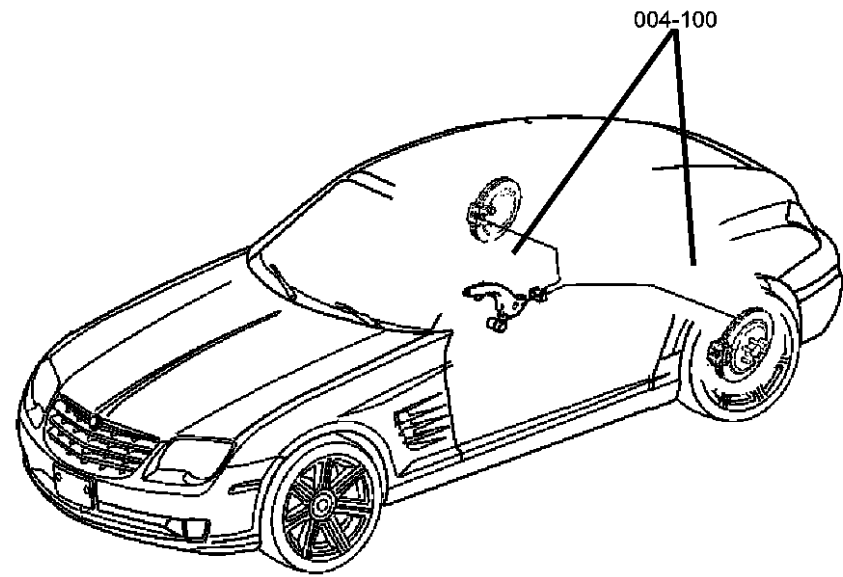
### Group - 4 Parking Brake

Illustration Title

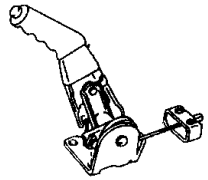
Group-Fig. No.

#### Parking Brake Lever and Cables

Lever and Cables .....	Fig. 4 - 110
Brake Assembly, Parking .....	Fig. 4 - 120

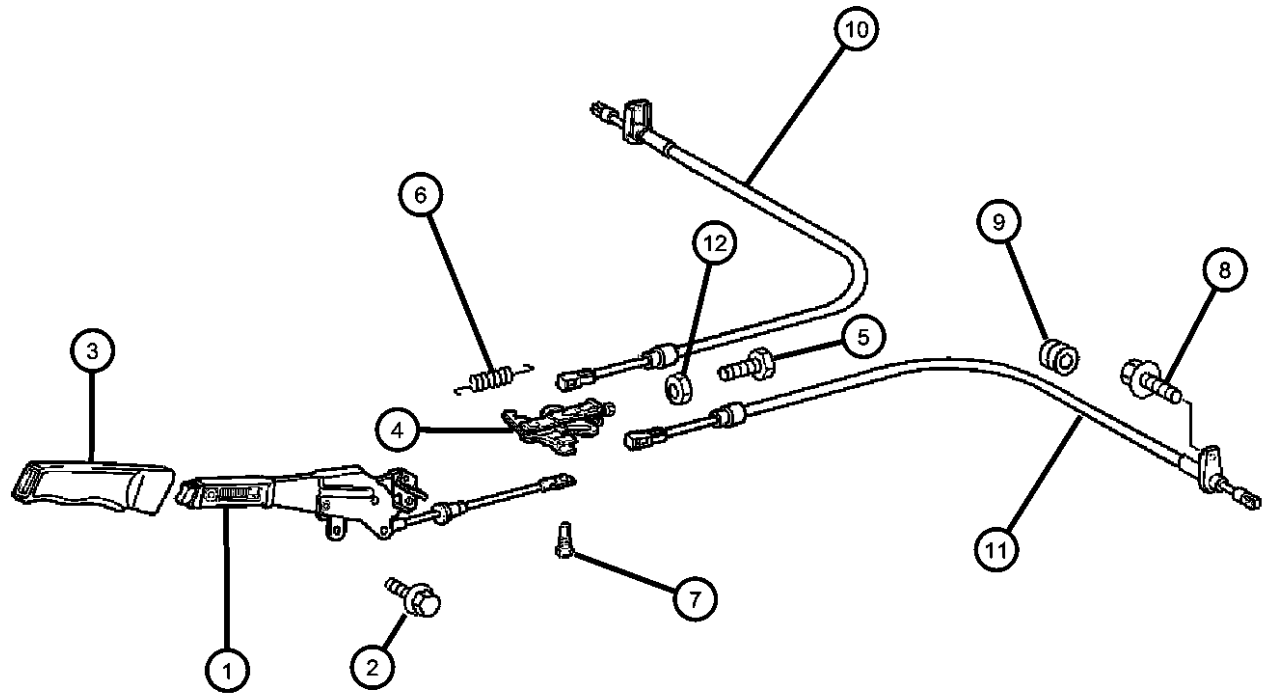


**004-100**  
Parking Brake Lever and Cables



**Lever and Cables**  
**Figure 4-110**

ITEM	PART NUMBER	QTY	LINE	SERIES	BODY	ENGINE	TRANS	TRIM	DESCRIPTION
1	05098499AA	1			29				LEVER, Park Brake
2	05098122AA	2			29				BOLT, Brake Mounting
3									HANDLE, Parking Brake
	0ZE65ARKAA	1			29				[DR]
	0ZE65BD5AA	1			29				[DD]
	0ZE65XDVAA	1			29				[DV]
4	05101692AA	1			29				ADJUSTER, Parking Brake Cable
5	05098364AA	1			29				BOLT
6	05096744AA	1			29				SPRING, Tension
7	05097540AA	1			29				SCREW, Adjusting
8	05098124AA	2			29				SCREW
9	05097181AA	2			29				GROMMET
10	05098986AA	1			29				CABLE, Parking BrakeRight
11	05098987AA	1			29				CABLE, Parking BrakeLeft
12	05096965AA	1			29				NUT, Parking Brake Adjusting



**CROSSFIRE (ZH)**

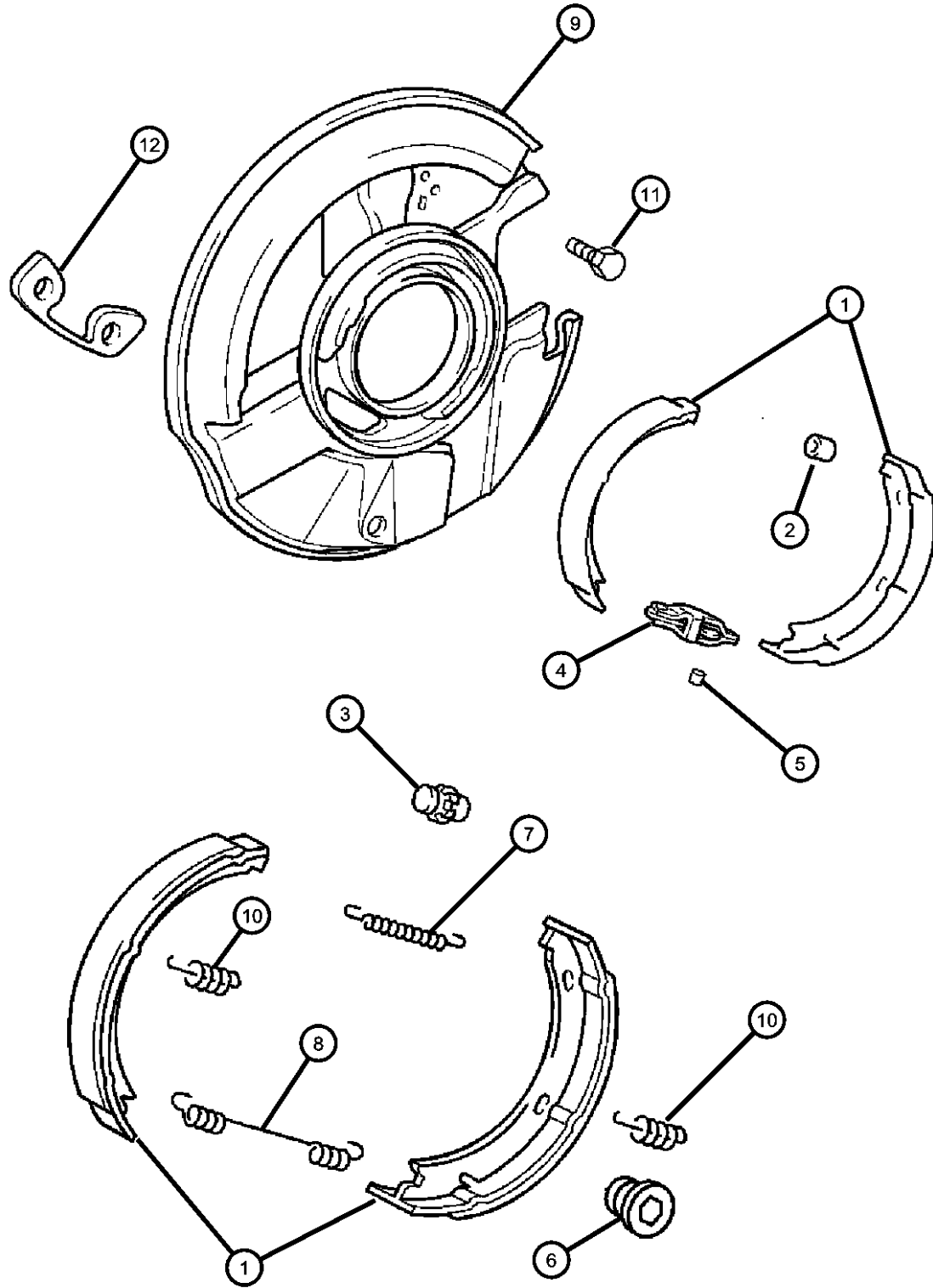
SERIES	LINE	BODY	ENGINE	TRANSMISSION
P = PREMIUM	C = CHRYSLER	27 = 2-DR CONVERTIBLE	EGX = Engine - 3.2L V6 SOHC 18 Valve	DGJ = Transmission-5-Spd. Automatic,W5A580
S = SPORT	Z = CHRYSLER	29 = SPECIALTY COUPE	EGZ = Engine - 3.2L V6 Supercharged	DED = Transmission - 6-Speed Manual
X = SPECIAL				DGU = Transmission - 5-Spd Automatic

AR = use ase required - = Non illustrated part

2004 ZH

Brake Assembly, Parking  
Figure 4-120

ITEM	PART NUMBER	QTY	LINE	SERIES	BODY	ENGINE	TRANS	TRIM	DESCRIPTION
1	05096552AA	4			29				SHOE KIT, Brake
2	05096554AA	2			29				BUSHING, Axle Shaft
3	05098284AA	2			29				ADJUSTER, Brake Shoe
4	05101691AA	2			29				PLATE, Brake Shoe Guide
5	05098414AA	2			29				BOLT, Brake Guide
6	05097539AA	1			29				BOLT, Brake Mounting
7	05098067AA	2			29				SPRING, Brake Shoe Return
8	05098006AA	2			29				SPRING, Brake Shoe Return
9									SUPPORT, Rear Wheel Brake
	05098761AA	1			29				Left
	05098762AA	1			29				Right
10	05098005AA	4			29				SPRING, Brake Shoe Hold Down
11	05098121AA	3			29				BOLT, Hex Flange Head
12	05096818AA	1			29				GASKET



CROSSFIRE (ZH)

SERIES LINE  
P = PREMIUM C = CHRYSLER  
S = SPORT Z = CHRYSLER  
X = SPECIAL

BODY  
27 = 2-DR CONVERTIBLE  
29 = SPECIALTY COUPE

ENGINE  
EGX = Engine - 3.2L V6 SOHC  
18 Valve  
EGZ = Engine - 3.2L V6  
Supercharged

TRANSMISSION  
DGJ = Transmission-5-Spd.  
Automatic,W5A580  
DED = Transmission - 6-Speed  
Manual  
DGU = Transmission - 5-Spd  
Automatic

AR = use ase required - = Non illustrated part

2004 ZH

# Group - 5

## Service Brakes

### Group - 5 Service Brakes

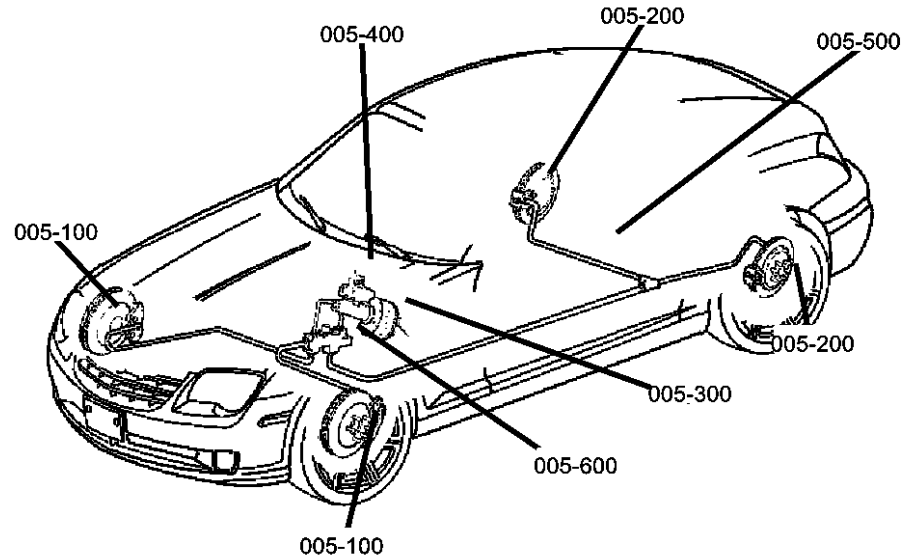


Illustration Title

Group-Fig. No.

#### Front Brakes

Brakes, Front ..... Fig. 5 - 110

#### Rear Brakes

Brakes, Rear Disc ..... Fig. 5 - 210

#### Power Brake Booster

Booster, Power Brake ..... Fig. 5 - 310

#### Brake Master Cylinder

Master Cylinder, Brake ..... Fig. 5 - 410

Anti-Lock Brakes, Control Unit ..... Fig. 5 - 420

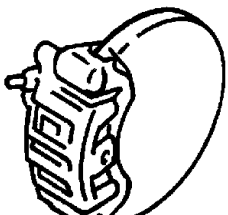
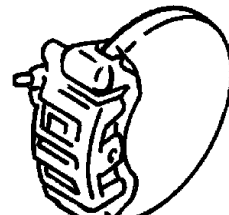
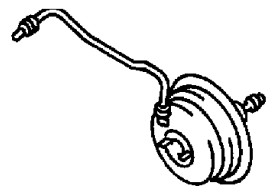
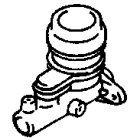
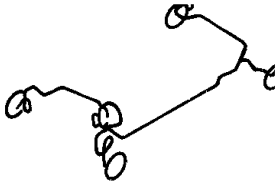

#### Brake Lines and Hoses

Lines and Hoses, Front Brakes ..... Fig. 5 - 510

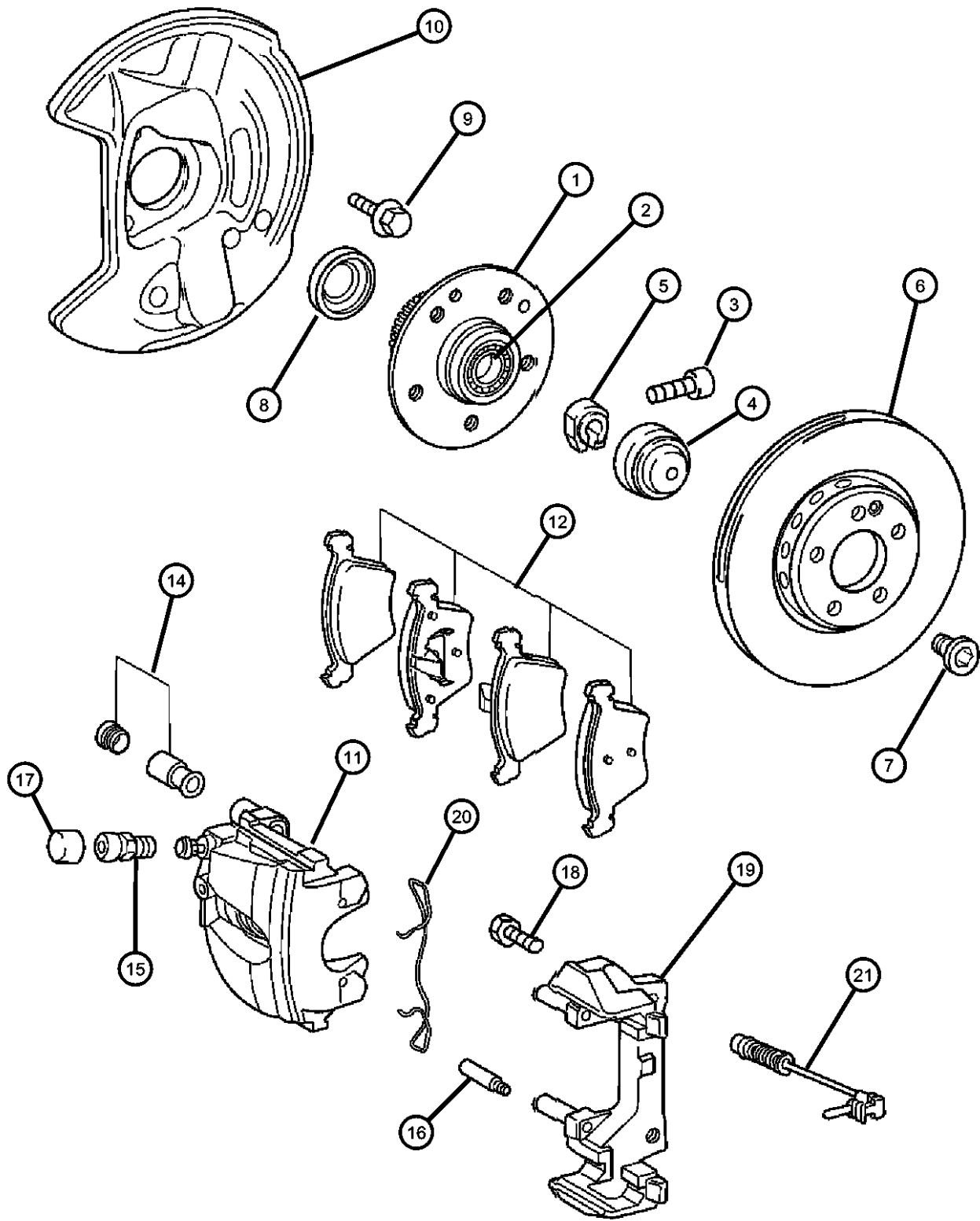
Lines and Hoses, Rear Brakes ..... Fig. 5 - 520

#### Brake Pedals

Pedal, Brake ..... Fig. 5 - 610

<p><b>005-100</b> Front Brakes</p> 	<p><b>005-200</b> Rear Brakes</p> 	<p><b>005-300</b> Power Brake Booster</p> 	<p><b>005-400</b> Brake Master Cylinder</p> 
<p><b>005-500</b> Brake Lines and Hoses</p> 	<p><b>005-600</b> Brake Pedals</p> 		

Brakes, Front  
Figure 5-110



ITEM	PART NUMBER	QTY	LINE	SERIES	BODY	ENGINE	TRANS	TRIM	DESCRIPTION
1	05097607AA	1			29				HUB, Front Wheel With ABS
	05099235AA	1			29				Without ABS
2	05097737AA	1			29				BEARING, Wheel Hub Left
	05097738AA	1			29				Right
3	05097673AA	1			29				SCREW
4	05101732AA	1			29				CAP, Wheel Bearing
5	05097843AA	1			29				NUT
6	05098064AA	1			29				ROTOR, BrakeRight or Left
7	05097539AA	1			29				BOLT, Brake Mounting
8	05099837AA	1			29				SEAL, Hub
9	05098121AA	3			29				BOLT, Hex Flange Head
10	05096878AA	1			29				PLATE, Backing Right
	05096879AA	1			29				Left
11	05139586AA	1							CALIPER, Disc Brake Less Pads, Right
	05139587AA	1							Less Pads, Left
12	05114555AA	1			29				PAD KIT, Front Disc Brake
	BHKH133350								Mopar V-Line Alternative Part Disc Hardware
-13	05126318AA	1			29				REPAIR KIT, Caliper Right
	05126319AA	1			29				Left
14	05114556AA	1			29				BUSHING, Caliper
15	05114565AA	1			29				BLEEDER SCREW, Brake
16	05096906AA	2			29				SLEEVE, Brake Caliper
17	05096906AA	2							CAP, Bleeder, (NOT SERVICED)
18	05097199AA	2			29				BOLT, Hex Head
19	05139217AA	1			29				ADAPTER, Disc Brake Caliper
20	05114564AA	1			29				CLIP, Brake Caliper
21	05099878AA	2			29				SENSOR, Brake wear

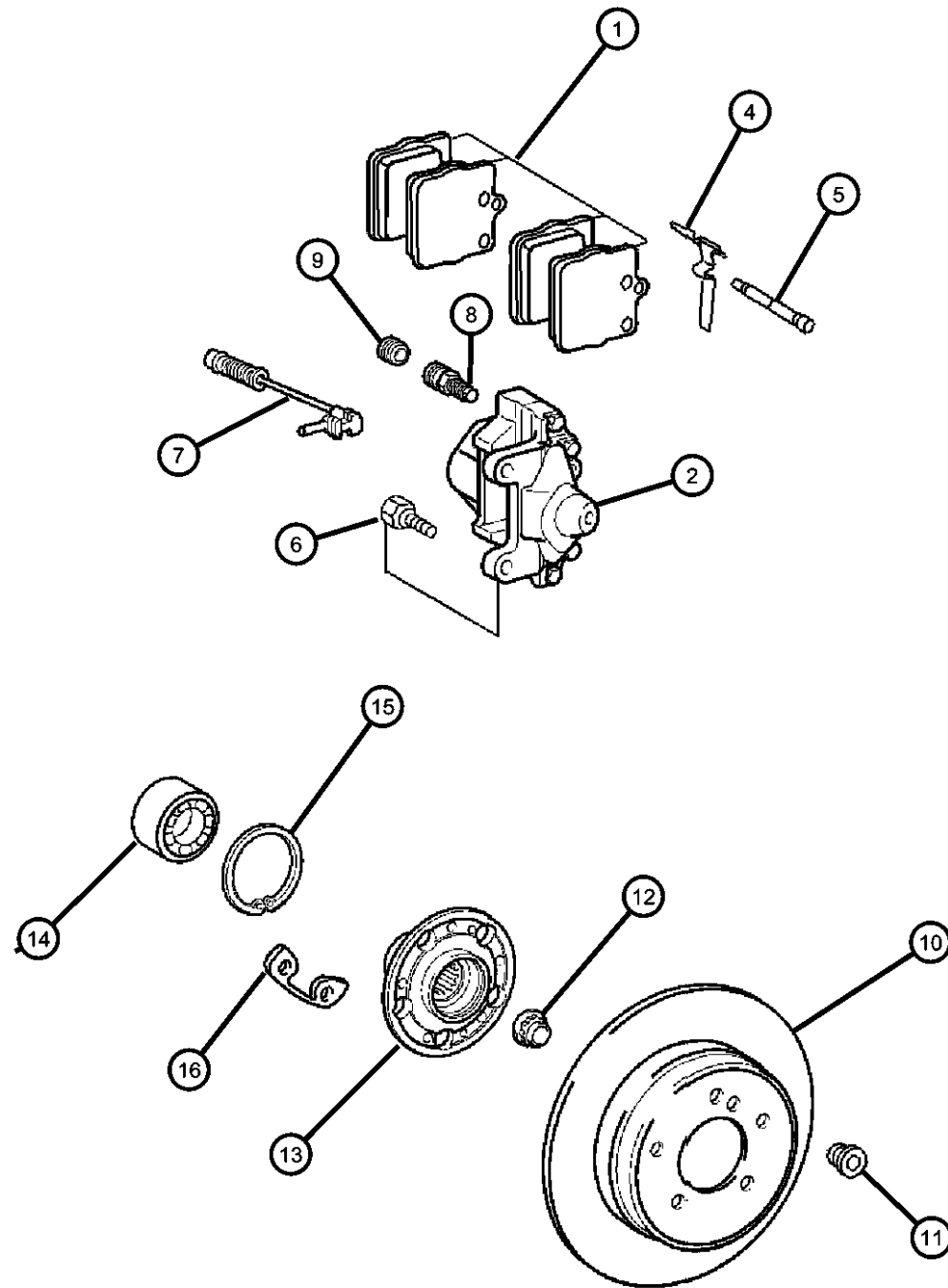
CROSSFIRE (ZH)

SERIES	LINE	BODY	ENGINE	TRANSMISSION
P = PREMIUM	C = CHRYSLER	27 = 2-DR CONVERTIBLE	EGX = Engine - 3.2L V6 SOHC 18 Valve	DGJ = Transmission-5-Spd. Automatic,W5A580
S = SPORT	Z = CHRYSLER	29 = SPECIALTY COUPE	EGZ = Engine - 3.2L V6 Supercharged	DED = Transmission - 6-Speed Manual DGU = Transmission - 5-Spd Automatic

AR = use ase required - = Non illustrated part

2004 ZH

**Brakes, Rear Disc  
Figure 5-210**



ITEM	PART NUMBER	QTY	LINE	SERIES	BODY	ENGINE	TRANS	TRIM	DESCRIPTION
1	05126300AA	1			29				PAD KIT, Rear Disc Brake
2									CALIPER, Disc Brake
	05126302AA	1			29				Right
	05126303AA	1			29				Left
-3	05126319AA	1			29				REPAIR KIT, Caliper
4	05126307AA	1			29				CLIP, Brake Caliper
5	05126306AA	2			29				PIN, Caliper
6	05097013AA	4			29				SCREW
7	05099878AA	2			29				CLIP, Sensor
8	05126308AA	1			29				BLEEDER SCREW, Brake
9	05126309AA	1			29				BUSHING, Caliper
10	05098066AA	1			29				ROTOR, BrakeRight or Left
11	05140611AA	1			29				SCREW, Set
12	05096387AA	2			29				NUT, Flange
13	05140608AA	1			29				HUB, Rear Wheel
14	05101036AA	1			29				BEARING, Wheel Hub
15	05097547AA	1			29				CLIP, Retaining, C Type
16	05096818AA	1			29				GASKET, Cover Plate to Wheel Bearing

**CROSSFIRE (ZH)**

SERIES	LINE	BODY	ENGINE	TRANSMISSION
P = PREMIUM	C = CHRYSLER	27 = 2-DR CONVERTIBLE	EGX = Engine - 3.2L V6 SOHC 18 Valve	DGJ = Transmission-5-Spd. Automatic,W5A580
S = SPORT	Z = CHRYSLER	29 = SPECIALTY COUPE	EGZ = Engine - 3.2L V6 Supercharged	DED = Transmission - 6-Speed Manual
X = SPECIAL				DGU = Transmission - 5-Spd Automatic

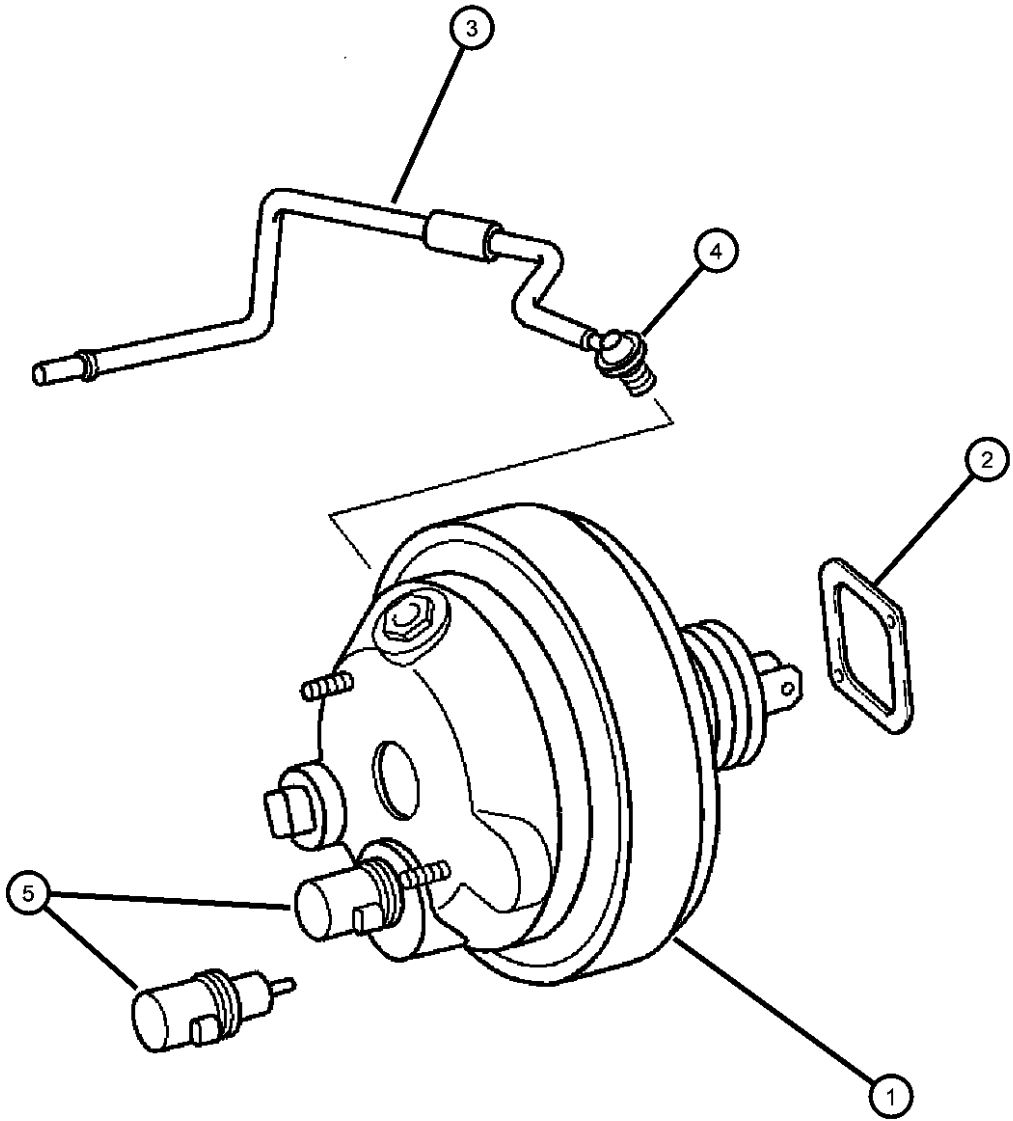
AR = use ase required - = Non illustrated part

2004 ZH

Booster, Power Brake

Figure 5-310

ITEM	PART NUMBER	QTY	LINE	SERIES	BODY	ENGINE	TRANS	TRIM	DESCRIPTION
1									BOOSTER, Power Brake
	05127444AA	1	C		29				
	05127445AA	1	Z		29				
2	05096352AA	1			29				GASKET, Booster To Dash
3									HOSE, Brake Vacuum
	05101581AA	1	C		29				
	05101582AA	1	Z		29				
4	05098141AA	1	Z		29				VALVE, Check
5	05101236AA	2			29				SENSOR, Anti-Lock Brake
-6	05098099AA	2			29				BOLT
-7									CAP, Nut
	05098383AA	1	Z		29				
	05099209AA	1			29				
-8	05098924AA	1	Z		29				CONNECTOR, Brake Vacuum Line



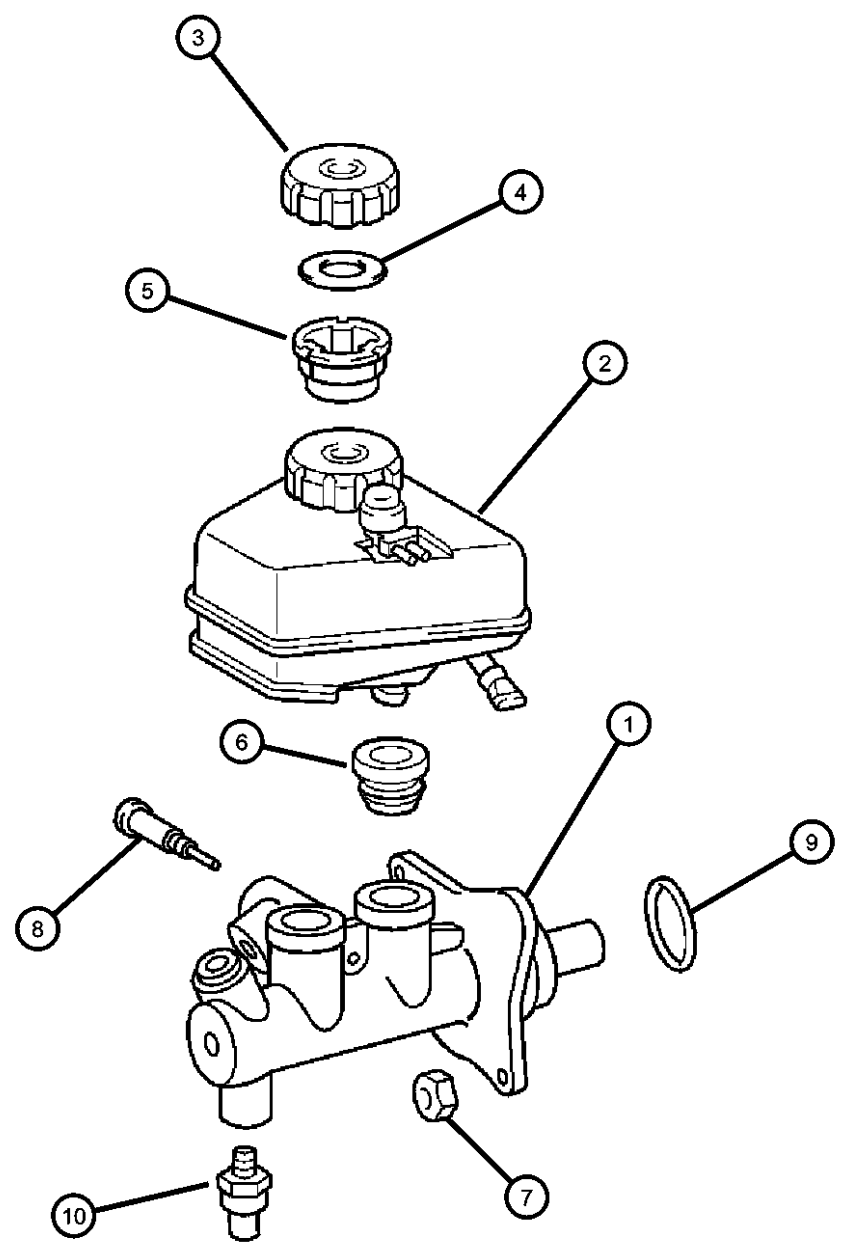
CROSSFIRE (ZH)

SERIES	LINE	BODY	ENGINE	TRANSMISSION
P = PREMIUM	C = CHRYSLER	27 = 2-DR CONVERTIBLE	EGX = Engine - 3.2L V6 SOHC 18 Valve	DGJ = Transmission-5-Spd. Automatic,W5A580
S = SPORT	Z = CHRYSLER	29 = SPECIALTY COUPE	EGZ = Engine - 3.2L V6 Supercharged	DED = Transmission - 6-Speed Manual
X = SPECIAL				DGU = Transmission - 5-Spd Automatic

AR = use ase required - = Non illustrated part



**Master Cylinder, Brake**  
**Figure 5-410**



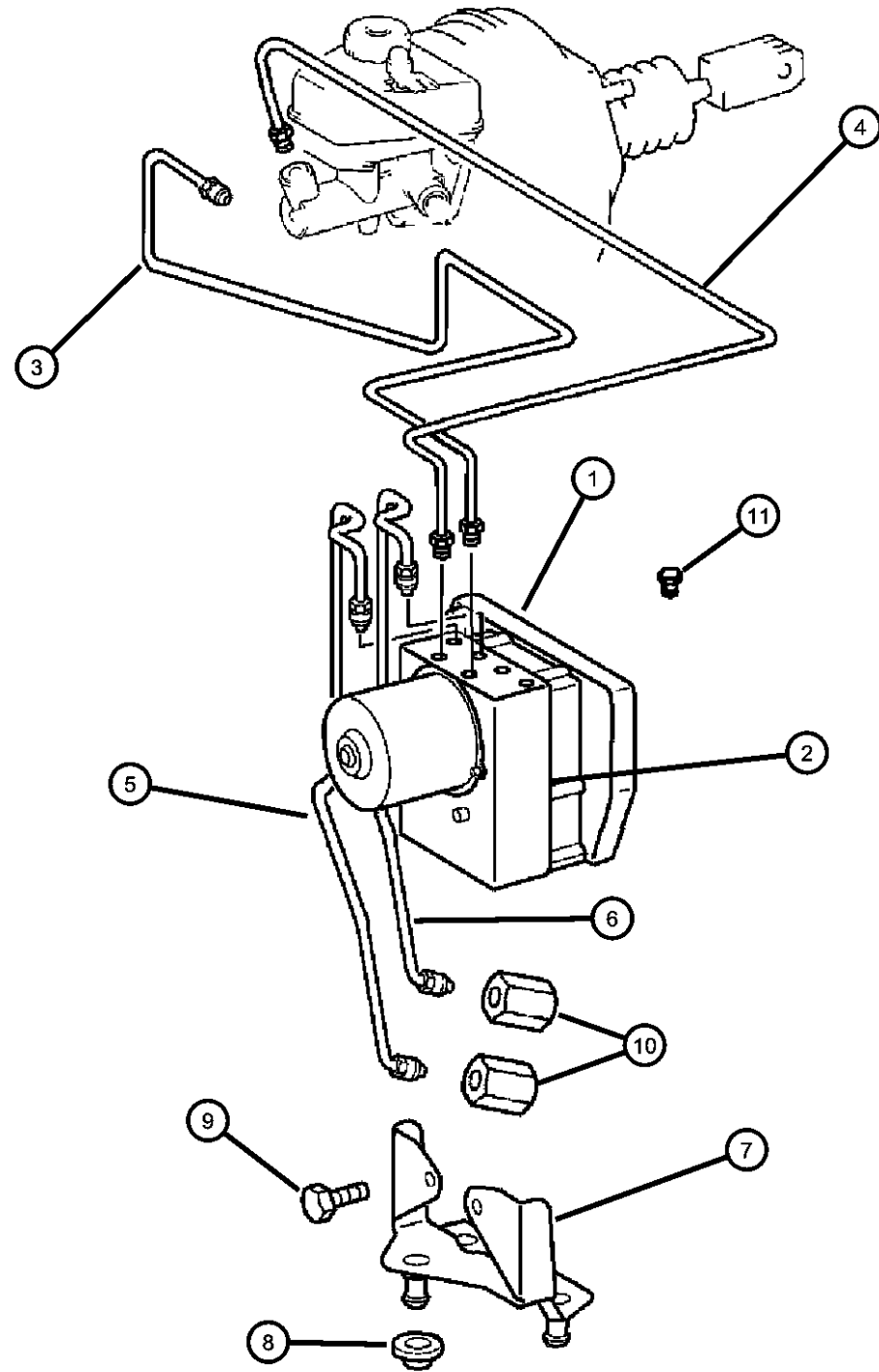
ITEM	PART NUMBER	QTY	LINE	SERIES	BODY	ENGINE	TRANS	TRIM	DESCRIPTION
1	05127446AA 04549625AC	1	C		29				MASTER CYLINDER, Brake  Mopar Brake & Clutch Fluid DOT 4
2	05127447AA 05098042AA	1	Z		29				RESERVOIR, Brake Master Cylinder
3	05098710AA	1			29				CAP, Master Cylinder Reservoir
4									GASKET
5	05127468AA 05098371AA	1	Z		29				FILTER, Vacuum Sensor
6		1	C		29				GROMMET, Master Cylinder Reservoir
7	05127452AA 05127461AA	1	Z		29				NUT
8		1	C		29				SCREW
9	05127469AA 05127459AA	1	Z		29				GASKET, Master Cylinder
10		1	C		29				SENSOR, Pressure
	05127470AA	1	Z		29				Located On Master Cylinder / Bronze Steel Housing
		1	C		29				Located On Master Cylinder / Bronze Steel Housing
	05139072AA	2			29				Located On Booster
	68020422AA	1	Z		29				On Master Cylinder / Silver Tin Housing
		1	C		29				On Master Cylinder / Silver Tin Housing

**CROSSFIRE (ZH)**

SERIES	LINE	BODY	ENGINE	TRANSMISSION
P = PREMIUM	C = CHRYSLER	27 = 2-DR CONVERTIBLE	EGX = Engine - 3.2L V6 SOHC 18 Valve	DGJ = Transmission-5-Spd. Automatic,W5A580
S = SPORT	Z = CHRYSLER	29 = SPECIALTY COUPE	EGZ = Engine - 3.2L V6 Supercharged	DED = Transmission - 6-Speed Manual
X = SPECIAL				DGU = Transmission - 5-Spd Automatic

AR = use ase required - = Non illustrated part

**Anti-Lock Brakes, Control Unit**  
**Figure 5-420**



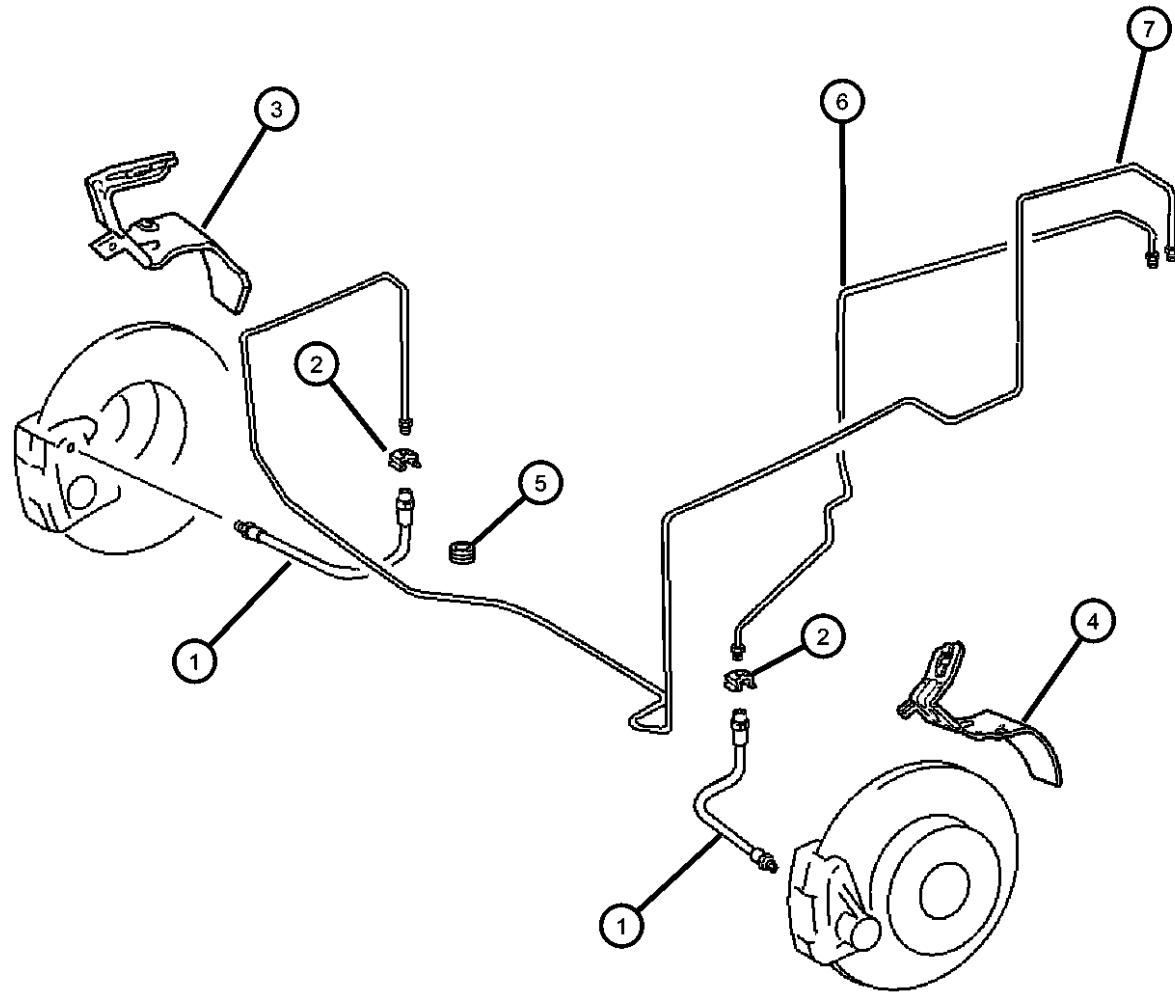
ITEM	PART NUMBER	QTY	LINE	SERIES	BODY	ENGINE	TRANS	TRIM	DESCRIPTION
1	05140827AA	1			29				CONTROL UNIT, Anti-Lock Brake
2									HYDRAULIC CONTROL UNIT, Anti-Lock Brake System
	05170479AA	1			29				
		1			27				
3									TUBE, Master Cylinder to HCU
	05133733AA	1	Z		29				
	05133736AA	1	C		29				
4									TUBE, Master Cylinder to HCU
	05133716AA	1	Z						
	05133736AA	1	C		29				
5	05099387AA	1	C		29				TUBE, BrakeLeft Rear
6	05099385AA	1	C		29				TUBE, BrakeRight Rear
7									BRACKET, Brake Control Unit
	05096638AA	1	C		29				
	05096639AA	1	Z		29				
8	05099283AA	3			29				GROMMET, Hydraulic Control Unit
9	05098099AA	2			29				BOLT
10	05098442AA	1			29				UNION
11	05098485AA	2			29				UNION, Brake Line Repair

**CROSSFIRE (ZH)**

SERIES	LINE	BODY	ENGINE	TRANSMISSION
P = PREMIUM	C = CHRYSLER	27 = 2-DR CONVERTIBLE	EGX = Engine - 3.2L V6 SOHC 18 Valve	DGJ = Transmission-5-Spd. Automatic,W5A580
S = SPORT	Z = CHRYSLER	29 = SPECIALTY COUPE	EGZ = Engine - 3.2L V6 Supercharged	DED = Transmission - 6-Speed Manual
X = SPECIAL				DGU = Transmission - 5-Spd Automatic

AR = use ase required - = Non illustrated part

**Lines and Hoses, Front Brakes**  
**Figure 5-510**



ITEM	PART NUMBER	QTY	LINE	SERIES	BODY	ENGINE	TRANS	TRIM	DESCRIPTION
------	-------------	-----	------	--------	------	--------	-------	------	-------------

Note: Sales Codes  
[DED]=6-SPEED MANUAL

1									HOSE, Brake
	05099183AA	2			29				Right or Left
	05134451AA	1	Z		29				Right or Left
2	05098140AA	2			29				CLIP, Spring
3	05098764AA	1			29				BRACKET, Brake HoseRight Front
4	05098765AA	1			29				BRACKET, Brake HoseLeft Front
5									GROMMET, Brake Line
	05097184AA	1	C		29				
		1	Z		29				
6	05099388AA	1	C		29				TUBE, BrakeLeft Front
7									TUBE, Brake
	05134451AA	1	Z		29				Right Front
	05136111AA	1	C		29				Right Front

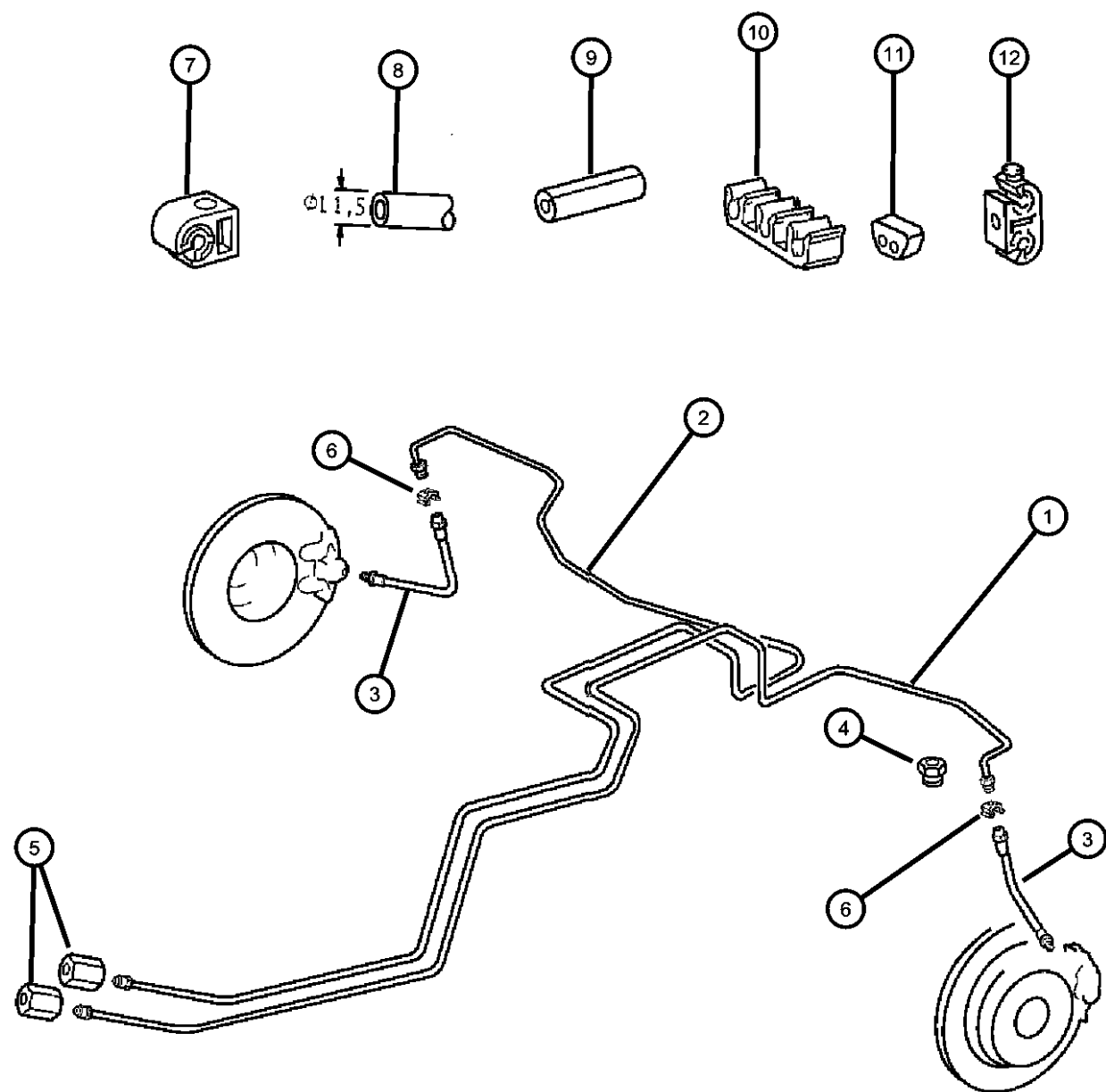
**CROSSFIRE (ZH)**

SERIES	LINE	BODY	ENGINE	TRANSMISSION
P = PREMIUM	C = CHRYSLER	27 = 2-DR CONVERTIBLE	EGX = Engine - 3.2L V6 SOHC 18 Valve	DGJ = Transmission-5-Spd. Automatic,W5A580
S = SPORT	Z = CHRYSLER	29 = SPECIALTY COUPE	EGZ = Engine - 3.2L V6 Supercharged	DED = Transmission - 6-Speed Manual
X = SPECIAL				DGU = Transmission - 5-Spd Automatic

AR = use ase required - = Non illustrated part

2004 ZH

Figure 5-520



ITEM	PART NUMBER	QTY	LINE	SERIES	BODY	ENGINE	TRANS	TRIM	DESCRIPTION
1	05099567AA	1			29				TUBE, Brake, Left Rear
2	05102536AA	0			29				TUBE, Brake, Right Rear
3	05099245AA	2			29				HOSE, BrakeRight or Left
4	05097696AA	2			29				UNION, Brake Line Repair
5	05098442AA	1			29				UNION Brake Line
6	05098140AA	2			29				CLIP, Spring
7	05099079AA	1			29				CLAMP, Brake Hose
8	05127520AA	0			29				SLEEVE, Brake Line, 10 Meters Long
9									SLEEVE, Brake Line
	05097865AA	2	C		29				
		1	Z		29				
10									BRACKET, Brake Tube Clip
	05098849AA	1	Z		29				
		1	C		29				
11	05098926AA	2			29				GROMMET, Brake Line
12	05099080AA	3			29				CLAMP, Brake Hose

**CROSSFIRE (ZH)**

SERIES	LINE	BODY	ENGINE	TRANSMISSION
P = PREMIUM	C = CHRYSLER	27 = 2-DR CONVERTIBLE	EGX = Engine - 3.2L V6 SOHC 18 Valve	DGJ = Transmission-5-Spd. Automatic,W5A580
S = SPORT	Z = CHRYSLER	29 = SPECIALTY COUPE	EGZ = Engine - 3.2L V6 Supercharged	DED = Transmission - 6-Speed Manual
X = SPECIAL				DGU = Transmission - 5-Spd Automatic

AR = use ase required - = Non illustrated part