

VIN PLATE DECODING INFORMATION

1	2	3	4	5	6	7	8	9	10	11	12 thru 17
Country	Make	Vehicle Type	Other	Line	Series	Body Style	Engine	Check Digit	Model Year	Assy. Plant	Sequence No.

The following table interprets the VIN Plate position shown above.

Position	Interpretation	Codes = Description
1	Country of Origin	1 = Manufactured By Chrysler LLC
2	Assembler	A = Chrysler
3	Vehicle Type	7 = Truck Less Side Air Bags Sales Code (CGS)
4	GVWR & Pass. Safety	D = 0001-3000# (0 - 1360 KG) GVWR & Hyd. Brakes E = 3001-4000# (1361 - 1814 KG) GVWR & Hyd Brakes F = 4001-5000# (1815 - 2267 KG) GVWR & Hyd. Brakes G = 5001-6000# (2268 - 2721 KG) GVWR & Hyd. Brakes H = 6001-7000# (2722 - 3175 KG) GVWR & Hyd. Brakes J = 7001-8000# (3176 - 3628 KG) GVWR & Hyd. Brakes K = 8001-9000# (3629 - 4082 KG) GVWR & Hyd. Brakes L = 9001-10000# (4083 - 4535 KG) GVWR & Hyd. Brakes M = 10001-14000# (4536 - 6350 KG) GVWR & Hyd. Brakes
5	Vehicle Line	X = Aspen (4x2) W = Aspen (4x4)
6	Series	5 = Aspen Limited (4x2) (U.S., Mexico) 5 = Aspen Limited (4x4) (U.S., Canada, Mexico)
7	Body Style	8 = Sport Utility 4 Door-Aspen
8	Engine	P = 4.7L 8 CYL Gasoline Non Turbo (EVE) T = 5.7L 8 CYL Gasoline Non Turbo (EZD) T = 5.7L 8 CYL Gasoline Non Turbo (EZE)
9	Check Digit	0 = Check Digit
10	Model Year	9 = 2009 Model Year
11	Assembly Plant	F = Newark Assembly
12 thru 17	Vehicle Build Sequence	Model Year Assembly Sequence


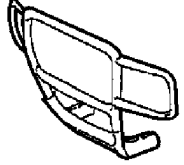
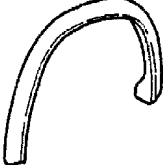
Group - 1

MoPar Accessories

Group - 1 MoPar Accessories

Illustration Title

Group-Fig. No.

<p>001-100 Audio & Electronics</p>	<p>001-1000 4-Wheeling and Off Road</p>	<p>001-200 Carriers & Cargo Hauling</p>	<p>001-300 Driving Convenience</p> 
<p>001-400 Exterior Appearance</p> 	<p>001-500 Exterior Protection</p> 	<p>001-600 Fog Lights & Electrical</p>	

Audio & Electronics

Media System	Fig. 1 - 110
Camera - Back Up	Fig. 1 - 118
iPod	Fig. 1 - 122

Carriers & Cargo Hauling

Carrier Kit -Bike Hitch Mount	Fig. 1 - 204
Carrier Kit - Water Sports	Fig. 1 - 210
Carrier Kit - Canoe	Fig. 1 - 212
Carrier Kit -Bike-Fork Mount.....	Fig. 1 - 214
Carrier - Kit - Bike-Upright Mount	Fig. 1 - 216
Rack Kit- Multipurpose.....	Fig. 1 - 230
Wiring Package-Trailer Tow-4 Way	Fig. 1 - 242
Wiring Package-Trailer Tow-7 Way	Fig. 1 - 243
Carrier Kit - Luggage -Soft.....	Fig. 1 - 252
Wiring Kit - Off Road	Fig. 1 - 264

Driving Convenience

Hands Free Kit - Cellular Phone-Blue Tooth-Low Speed.....	Fig. 1 - 312
Sensor Package-Park/Distance.....	Fig. 1 - 320

Exterior Appearance

Board Kit - Running-Power	Fig. 1 - 438
Wheel Kit.....	Fig. 1 - 448

Exterior Protection

Molding Kit.....	Fig. 1 - 506
------------------	--------------

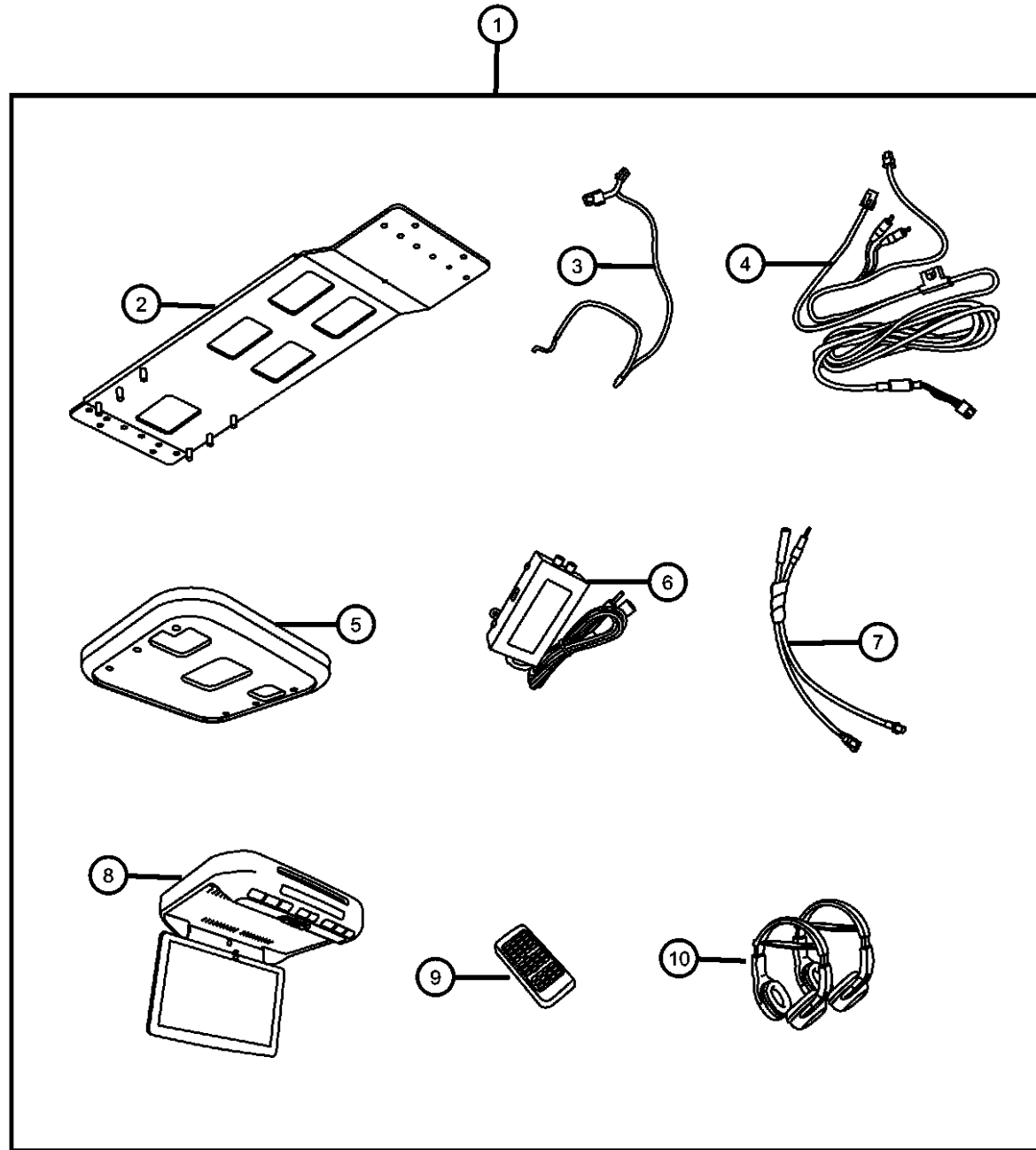
Fog Lights & Electrical

Heater Kit - Engine Block	Fig. 1 - 602
---------------------------------	--------------

4-Wheeling and Off Road

Hook Kit - Tow	Fig. 1 - 1008
Skid Plate - Fuel Tank.....	Fig. 1 - 1010
Skid Plate - Transfer Case	Fig. 1 - 1016

Media System
Figure 1-110



ITEM	PART NUMBER	QTY	LINE	SERIES	BODY	ENGINE	TRANS	TRIM	DESCRIPTION
1	82210939AB	1							MEDIA SYSTEM, Monitor With DVD, 10 Inch
2	68030138AA	1							BRACKET
3	68033634AA	1							HARNESS, Wiring
4	68026724AA	1							HARNESS, Wiring
5	68036470AA	1							SHROUD, SHROUD
6	05166872AA	1							MODULATOR, FM
7	68037916AA	1							HARNESS, Wiring
8	68036468AB	1							DVD CHANGER
9	68024459AA	1							REMOTE, Wireless Infrared
10	05064037AA	1							HEADPHONES, Wireless

ASPEN (HG)

SERIES

E = ECONOMY
P = PREMIUM

LINE

1 = Lt. Duty DODGE 2WD
5 = Lt. Duty DODGE 4WD

BODY

74 = SPORT UTILITY 4-DR
TYPE #4

ENGINE

EVE = 4.7L V8 Engine
EZD = 5.7L Hemi VCT MDS
Engine
EZE = 5.7L Hemi HEV Engine

TRANSMISSION

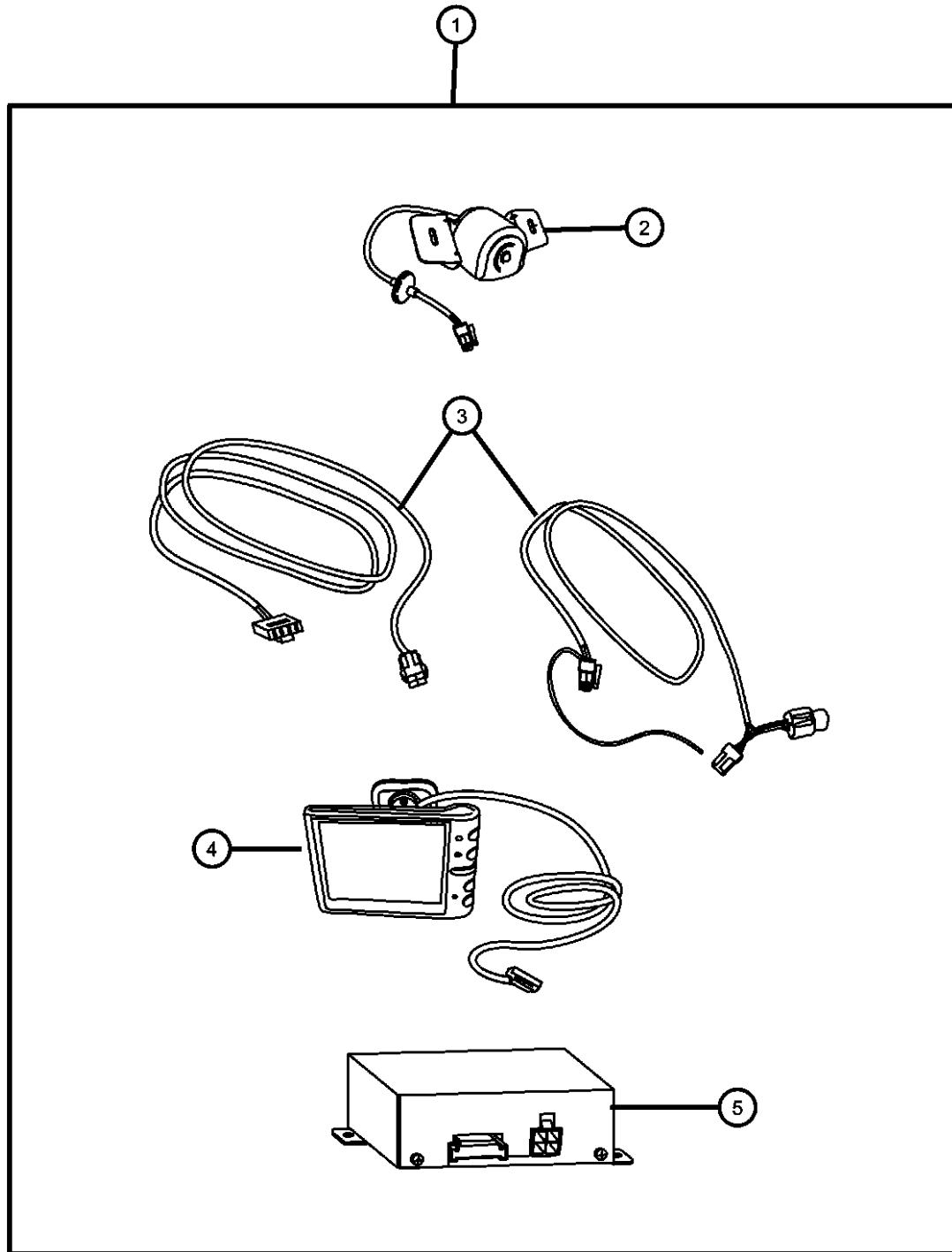
DF9 = AHS-T RWD Automatic Trans
DGQ = 5-Spd Automatic 545RFE
Transmission

AR = use ase required - = Non illustrated part

2009 HG

Camera - Back Up
Figure 1-118

ITEM	PART NUMBER	QTY	LINE	SERIES	BODY	ENGINE	TRANS	TRIM	DESCRIPTION
1	82210146AC	1			74				CAMERA KIT, Back Up
2	05191906AA	1			74				CAMERA
3	05191905AA	1			74				HARNESS, Wiring
4	05191907AB	1			74				MONITOR, Back Up Camera
5	05191903AA	1			74				CONTROL MODULE, Receiver



ASPEN (HG)

SERIES

E = ECONOMY
P = PREMIUM

LINE

1 = Lt. Duty DODGE 2WD
5 = Lt. Duty DODGE 4WD

BODY

74 = SPORT UTILITY 4-DR
TYPE #4

ENGINE

EVE = 4.7L V8 Engine
EZD = 5.7L Hemi VCT MDS
Engine
EZE = 5.7L Hemi HEV Engine

TRANSMISSION

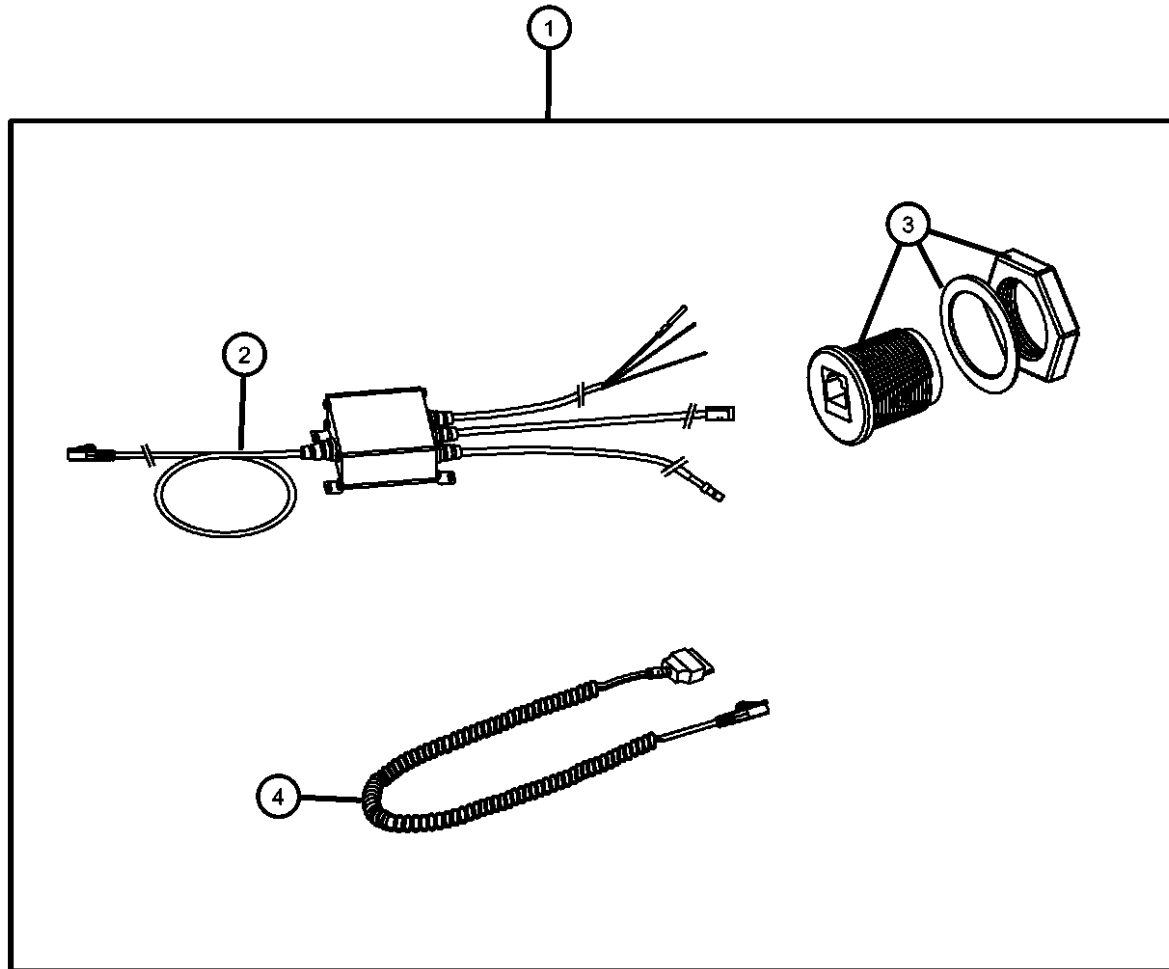
DF9 = AHS-T RWD Automatic Trans
DGQ = 5-Spd Automatic 545RFE
Transmission

AR = use ase required - = Non illustrated part

2009 HG

IPod
Figure 1-122

ITEM	PART NUMBER	QTY	LINE	SERIES	BODY	ENGINE	TRANS	TRIM	DESCRIPTION
1	82210848AB	1							MODULE KIT, IPOD Interface
2	82210848AB	1							MODULE, (NOT SERVICED)
3	68024675AA	1							HARDWARE, Contains: RJ11 Coupler, Plastic Nut & Lockwasher
4	68001396AA	1							HARNESS, Jumper



ASPEN (HG)

SERIES

E = ECONOMY
P = PREMIUM

LINE

1 = Lt. Duty DODGE 2WD
5 = Lt. Duty DODGE 4WD

BODY

74 = SPORT UTILITY 4-DR
TYPE #4

ENGINE

EVE = 4.7L V8 Engine
EZD = 5.7L Hemi VCT MDS
Engine
EZE = 5.7L Hemi HEV Engine

TRANSMISSION

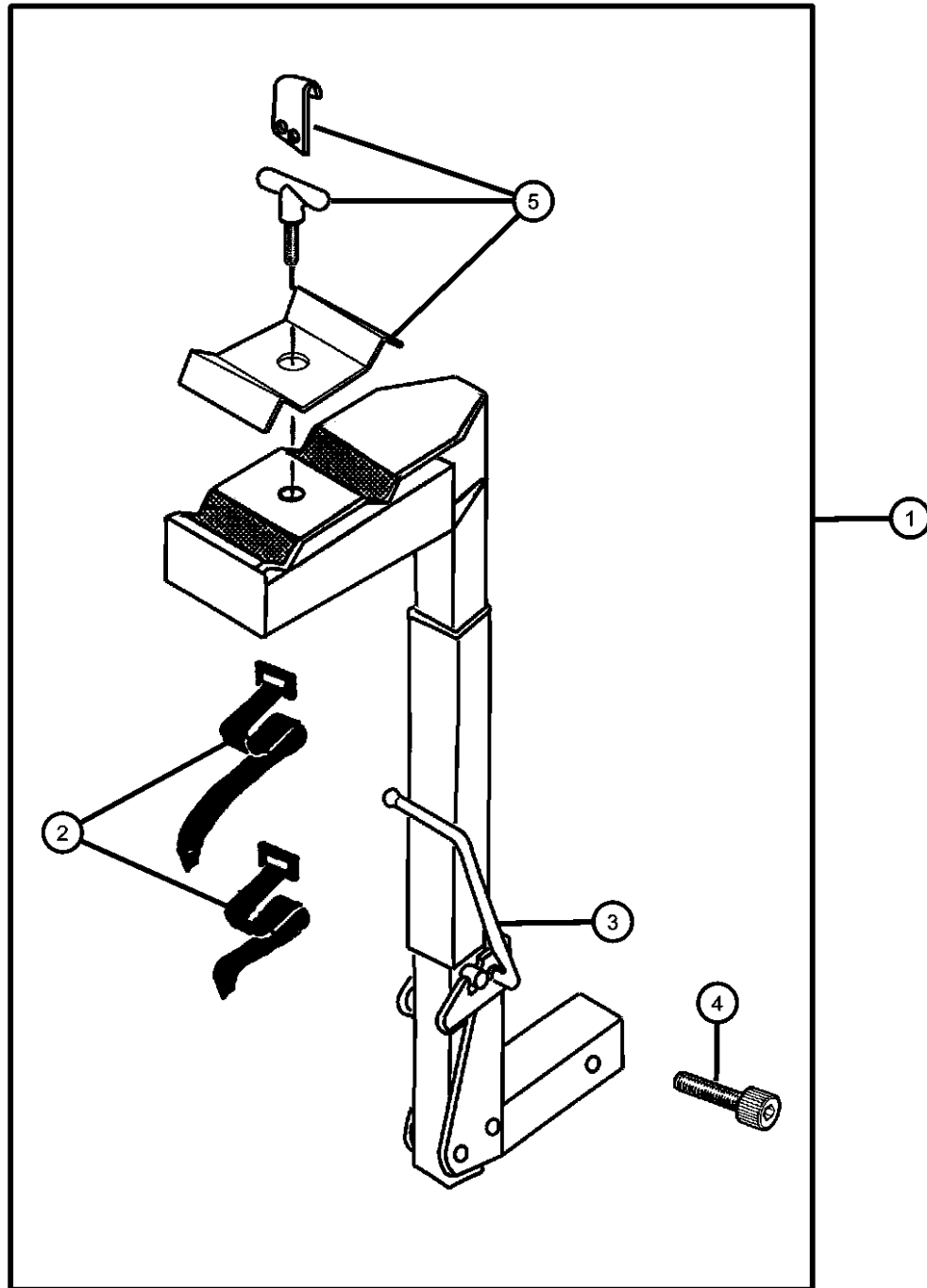
DF9 = AHS-T RWD Automatic Trans
DGQ = 5-Spd Automatic 545RFE
Transmission

AR = use ase required - = Non illustrated part

2009 HG

Carrier Kit -Bike Hitch Mount
Figure 1-204

ITEM	PART NUMBER	QTY	LINE	SERIES	BODY	ENGINE	TRANS	TRIM	DESCRIPTION
1	82204328AB	1							CARRIER KIT, Bike 4 Place Carrier
	82204453AB	1							2 Place Carrier
2	04762880	1							STRAP KIT, Velcro
3	05016775AA	1							STRAP KIT, Bike Carrier Latch, Contains: 2-Rubber Straps
4	05016776AA	1							BOLT KIT, Security, Contains: 1-Security Bolt, 1-Security Wrench, 1-Washer & Nut
5	05018825AA	1							HARDWARE KIT, Bike Carrier, Contains: T-Handle, Lock Strap, Top Clamp Assy & Nylon Washer



ASPEN (HG)				
SERIES	LINE	BODY	ENGINE	TRANSMISSION
E = ECONOMY	1 = Lt. Duty DODGE 2WD	74 = SPORT UTILITY 4-DR	EVE = 4.7L V8 Engine	DF9 = AHS-T RWD Automatic Trans
P = PREMIUM	5 = Lt. Duty DODGE 4WD	TYPE #4	EZD = 5.7L Hemi VCT MDS Engine	DGQ = 5-Spd Automatic 545RFE Transmission
			EZE = 5.7L Hemi HEV Engine	

AR = use ase required - = Non illustrated part

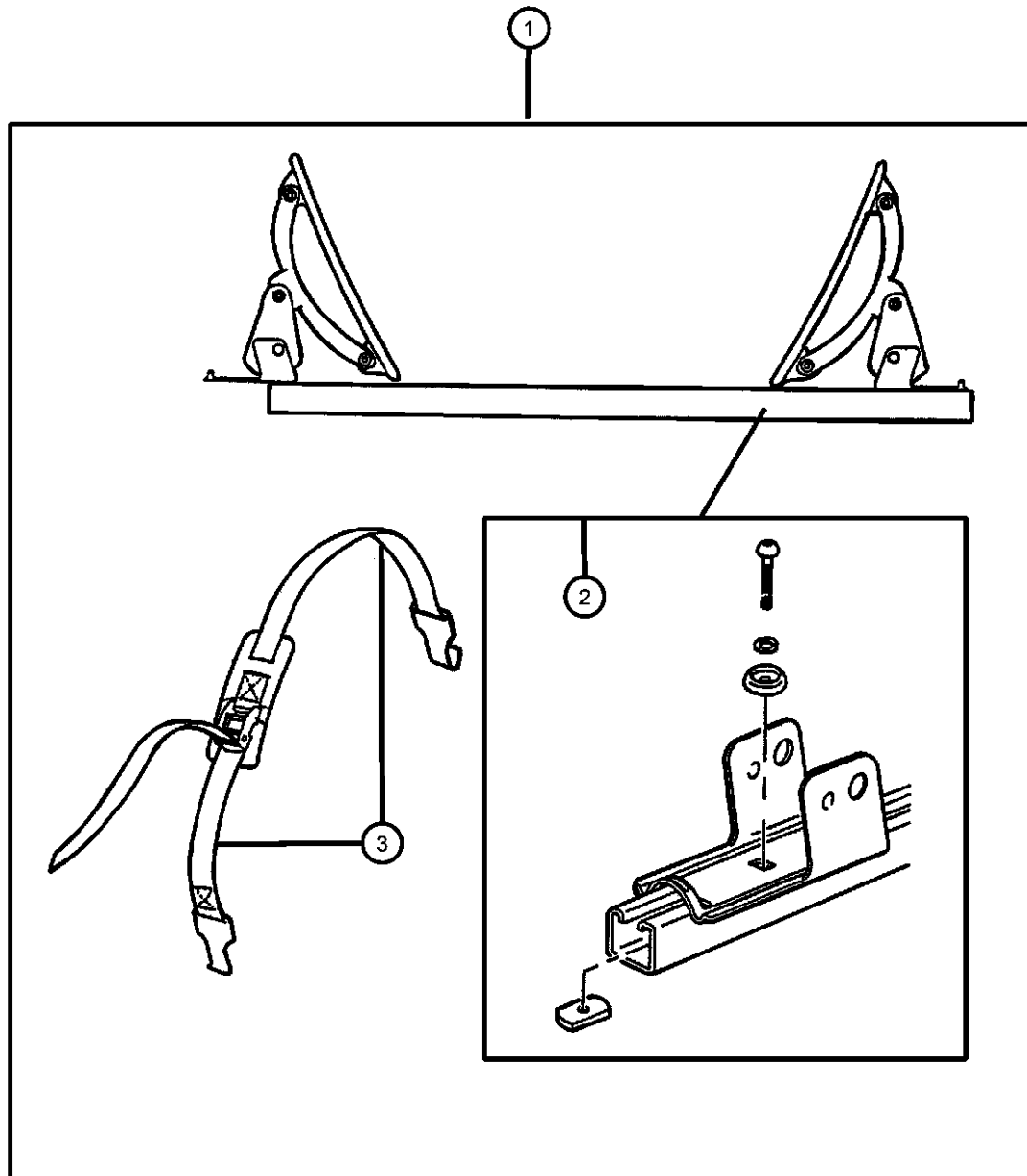
Carrier Kit - Water Sports
Figure 1-210

ITEM	PART NUMBER	QTY	LINE	SERIES	BODY	ENGINE	TRANS	TRIM	DESCRIPTION
------	-------------	-----	------	--------	------	--------	-------	------	-------------

Note; Requires T-Slot Crossbar

1	82205416	1							
2	05016389AA	1							
3	05016511AA	1							

CARRIER KIT, Water Sports, Kayak, Surfboard, Sail Board
HARDWARE KIT, Accessory,
Contains: 4-25MM Button Head
Screws, 4-30MM Button Head
Screws, 4-Lock Washers, 4- Dome
Washers, 4- Rubber Washers &
4-T-Nuts
STRAP, Cargo Tie Down



ASPEN (HG)

SERIES

E = ECONOMY
P = PREMIUM

LINE

1 = Lt. Duty DODGE 2WD
5 = Lt. Duty DODGE 4WD

BODY

74 = SPORT UTILITY 4-DR
TYPE #4

ENGINE

EVE = 4.7L V8 Engine
EZD = 5.7L Hemi VCT MDS
Engine
EZE = 5.7L Hemi HEV Engine

TRANSMISSION

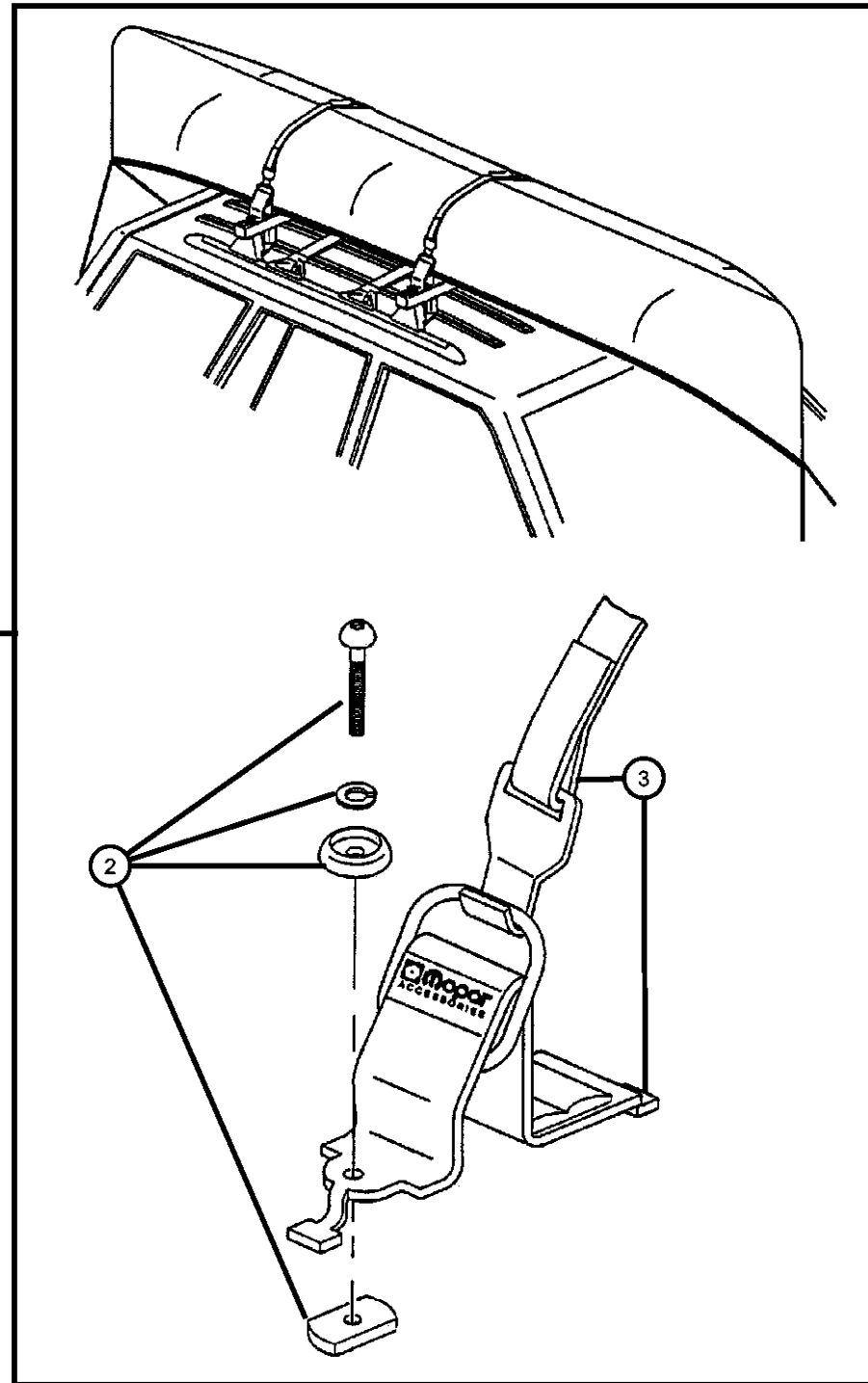
DF9 = AHS-T RWD Automatic Trans
DGQ = 5-Spd Automatic 545RFE
Transmission

AR = use ase required - = Non illustrated part

2009 HG

Carrier Kit - Canoe
Figure 1-212

ITEM	PART NUMBER	QTY	LINE	SERIES	BODY	ENGINE	TRANS	TRIM	DESCRIPTION
------	-------------	-----	------	--------	------	--------	-------	------	-------------



Note; Requires Sport Utility Bar

1	82204700	1							
2	05016389AA	1							
3	05016511AA	1							

CARRIER KIT, Canoe
HARDWARE KIT, Accessory,
Contains: 4-25MM Button Head
Screws, 4-30MM Button Head
Screws, 4-Lock Washers, 4-Dome
Washers, 4-Rubber Washers &
4-T-Nuts
STRAP, Cargo Tie Down

ASPEN (HG)

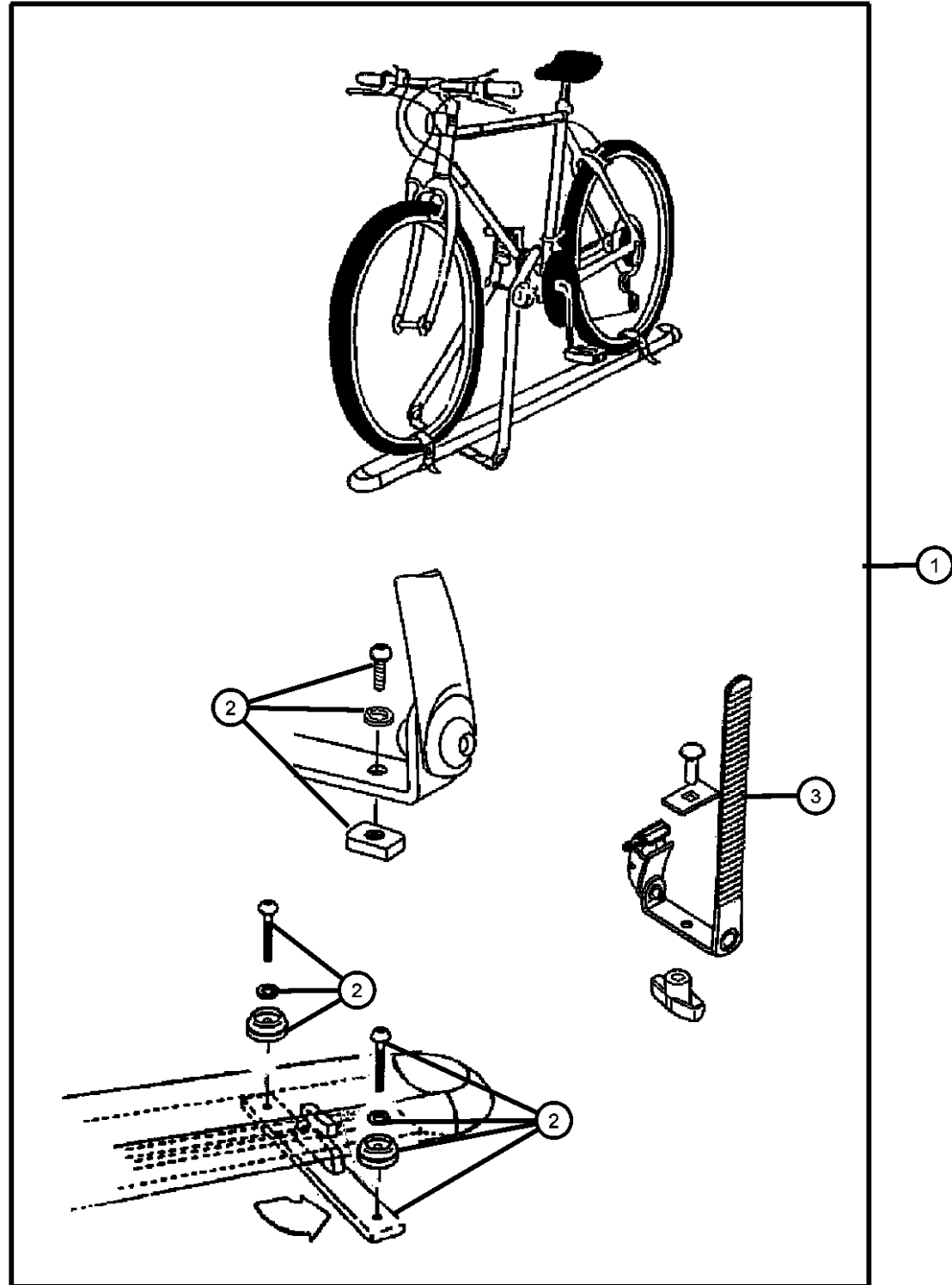
SERIES	LINE	BODY	ENGINE	TRANSMISSION
E = ECONOMY	1 = Lt. Duty DODGE 2WD	74 = SPORT UTILITY 4-DR	EVE = 4.7L V8 Engine	DF9 = AHS-T RWD Automatic Trans
P = PREMIUM	5 = Lt. Duty DODGE 4WD	TYPE #4	EZD = 5.7L Hemi VCT MDS Engine	DGQ = 5-Spd Automatic 545RFE Transmission
			EZE = 5.7L Hemi HEV Engine	

AR = use ase required - = Non illustrated part

2009 HG

Carrier Kit -Bike-Fork Mount
Figure 1-214

ITEM	PART NUMBER	QTY	LINE	SERIES	BODY	ENGINE	TRANS	TRIM	DESCRIPTION
1	82207942	1							CARRIER KIT, Bike
2	05093779AA	1							HARDWARE KIT, Accessory, Contains: 2-T-Slot Anchors, 1-Rear T-Slot Bar, 4-Button Head Screws, 2-Lockwashers, 4-Round Dome Washers
3	05114532AA	1							STRAP, Cargo Tie Down



ASPEN (HG)

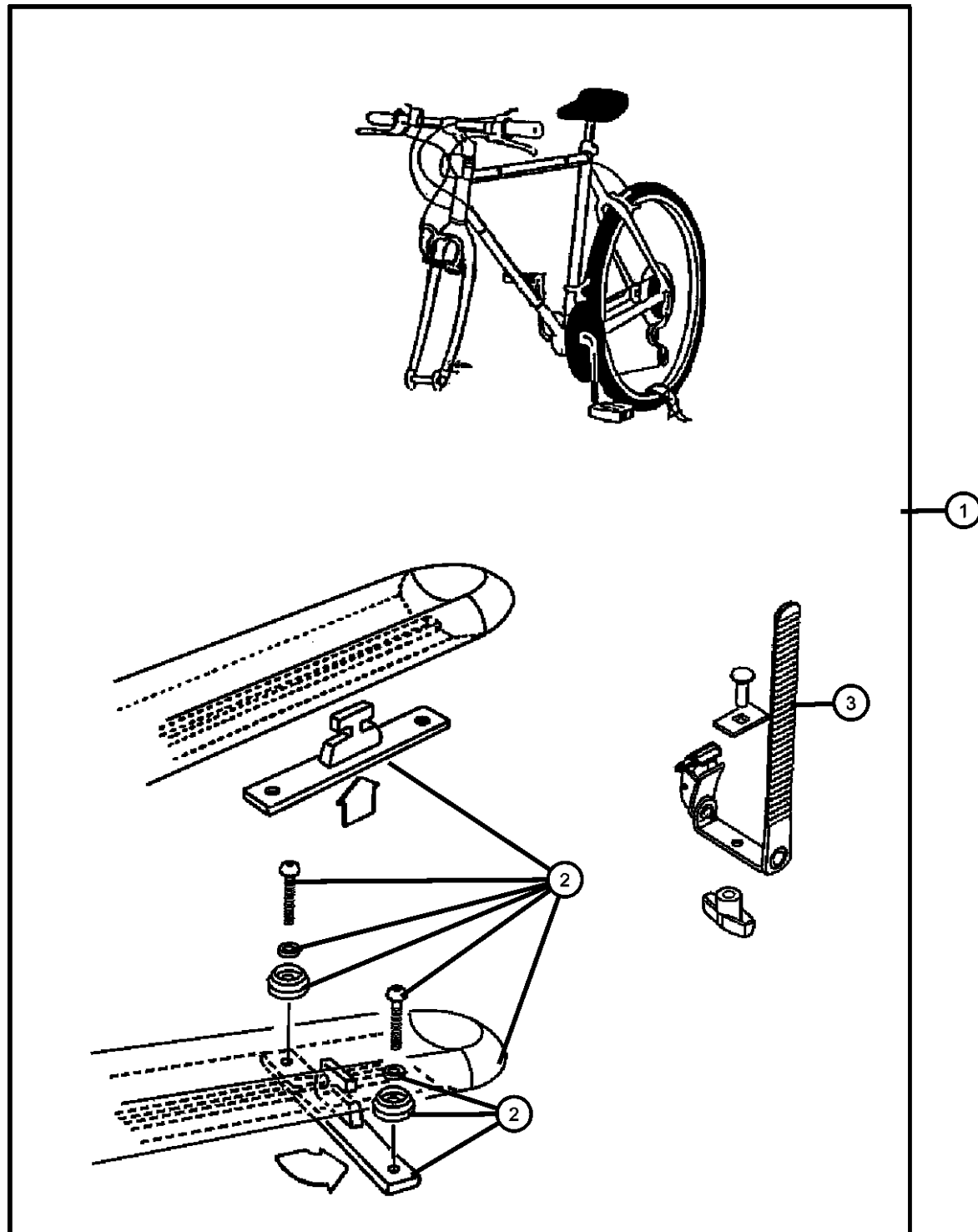
SERIES	LINE	BODY	ENGINE	TRANSMISSION
E = ECONOMY	1 = Lt. Duty DODGE 2WD	74 = SPORT UTILITY 4-DR	EVE = 4.7L V8 Engine	DF9 = AHS-T RWD Automatic Trans
P = PREMIUM	5 = Lt. Duty DODGE 4WD	TYPE #4	EZD = 5.7L Hemi VCT MDS Engine	DGQ = 5-Spd Automatic 545RFE Transmission
			EZE = 5.7L Hemi HEV Engine	

AR = use ase required - = Non illustrated part

2009 HG

Carrier - Kit - Bike-Upright Mount
Figure 1-216

ITEM	PART NUMBER	QTY	LINE	SERIES	BODY	ENGINE	TRANS	TRIM	DESCRIPTION
1	82207943	1							CARRIER KIT, Bike
2	05093779AA	1							HARDWARE KIT, Accessory, Contains: 2-T-Slot Anchors, 1-Rear T-Slot Bar, 4-Button Head Screws, 2-Lockwashers, 4-Round Dome Washers
3	05114532AA	1							STRAP, Cargo Tie Down



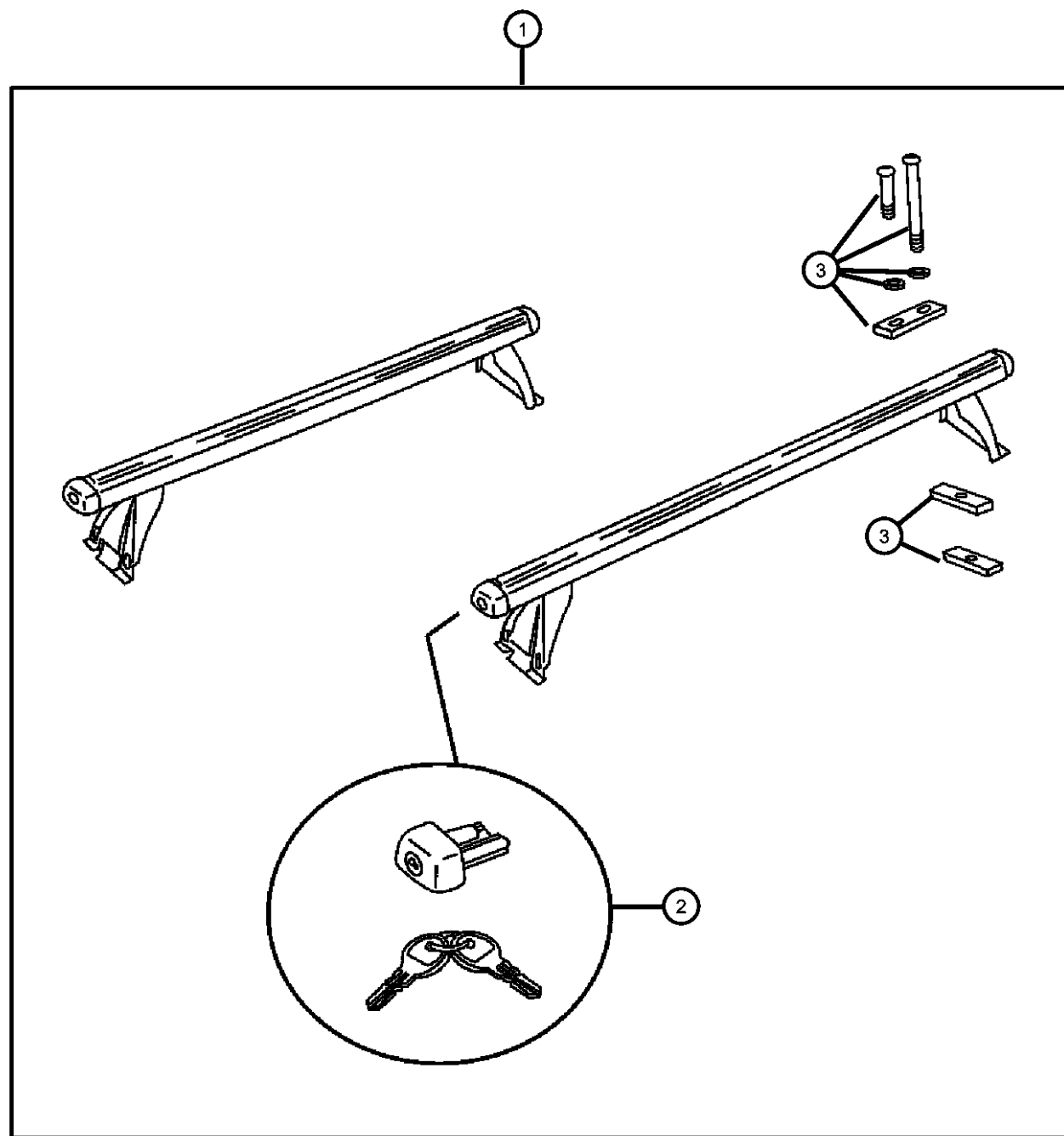
ASPEN (HG)

SERIES	LINE	BODY	ENGINE	TRANSMISSION
E = ECONOMY	1 = Lt. Duty DODGE 2WD	74 = SPORT UTILITY 4-DR	EVE = 4.7L V8 Engine	DF9 = AHS-T RWD Automatic Trans
P = PREMIUM	5 = Lt. Duty DODGE 4WD	TYPE #4	EZD = 5.7L Hemi VCT MDS Engine	DGQ = 5-Spd Automatic 545RFE Transmission
			EZE = 5.7L Hemi HEV Engine	

AR = use ase required - = Non illustrated part

Rack Kit- Multipurpose
Figure 1-230

ITEM	PART NUMBER	QTY	LINE	SERIES	BODY	ENGINE	TRANS	TRIM	DESCRIPTION
------	-------------	-----	------	--------	------	--------	-------	------	-------------



Note; Requires Roof Rack

1	82208282AD	1							RACK KIT, Multipurpose
2	05072276AB	1							END CAP, Roof Rack Side Rail
3	05066452AA	1							HARDWARE KIT, ROOF RACK
-4	05066632AB	1							TOOL, Screw Driver

RACK KIT, Multipurpose
END CAP, Roof Rack Side Rail
HARDWARE KIT, ROOF RACK
TOOL, Screw Driver

ASPEN (HG)

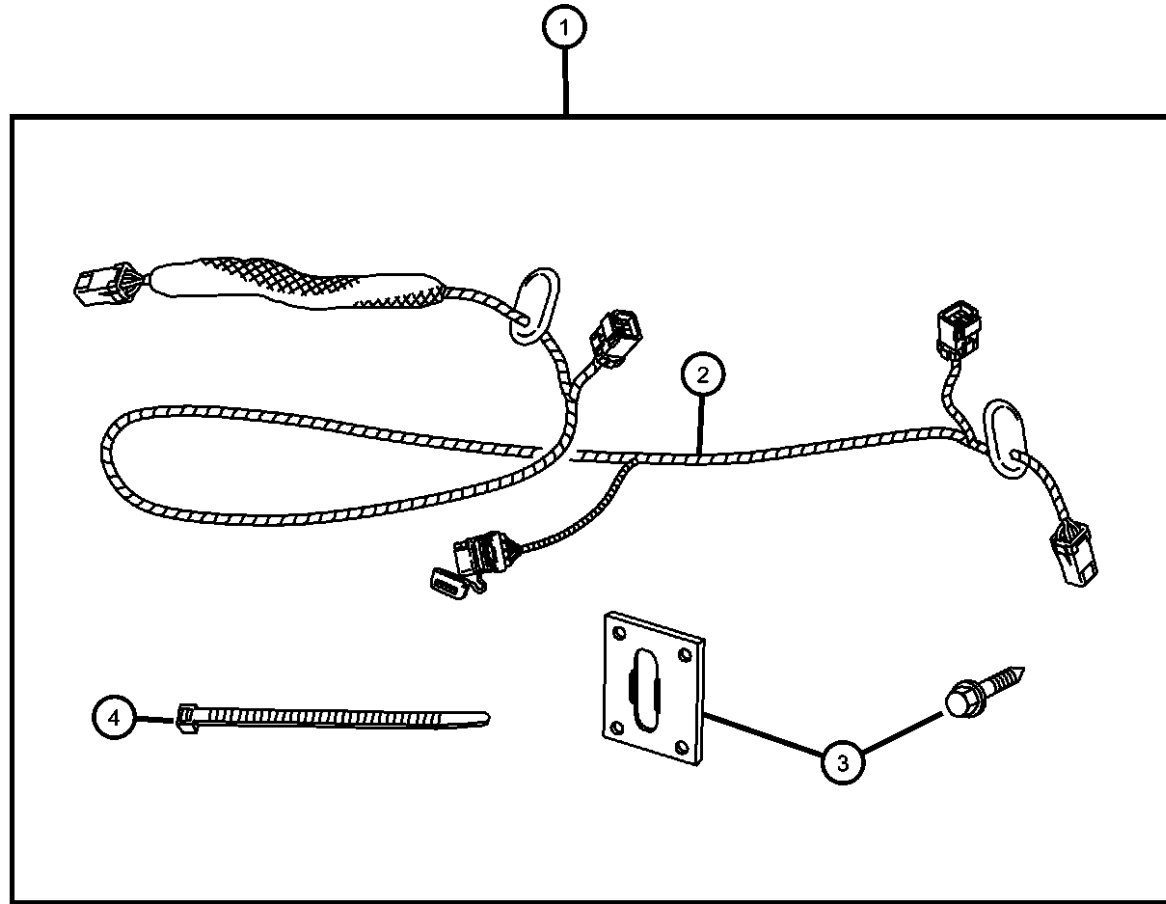
SERIES	LINE	BODY	ENGINE	TRANSMISSION
E = ECONOMY	1 = Lt. Duty DODGE 2WD	74 = SPORT UTILITY 4-DR	EVE = 4.7L V8 Engine	DF9 = AHS-T RWD Automatic Trans
P = PREMIUM	5 = Lt. Duty DODGE 4WD	TYPE #4	EZD = 5.7L Hemi VCT MDS Engine	DGQ = 5-Spd Automatic 545RFE Transmission
			EZE = 5.7L Hemi HEV Engine	

AR = use ase required - = Non illustrated part

2009 HG

**Wiring Package-Trailer Tow-4 Way
Figure 1-242**

ITEM	PART NUMBER	QTY	LINE	SERIES	BODY	ENGINE	TRANS	TRIM	DESCRIPTION
1	82208434AB	1							WIRING KIT, Trailer Tow - 4 Way
2	82208434AB	1							WIRING, Trailer Tow - 4 Way, (NOT SERVICED)
3	05134771AA	1							ADAPTER KIT, Trailer Tow
4	06015756	1							STRAP, Tie, Quantity of 4



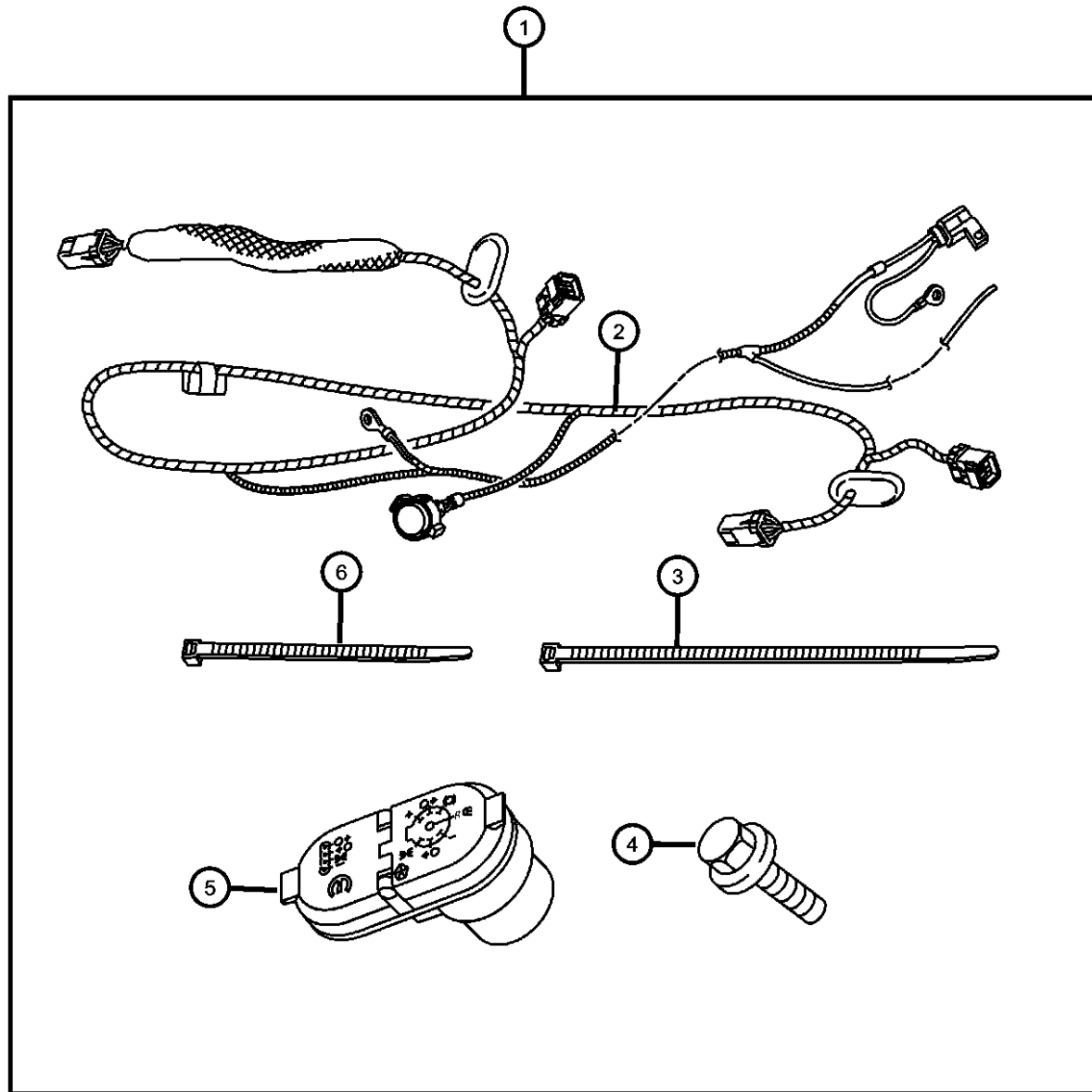
ASPEN (HG)

SERIES	LINE	BODY	ENGINE	TRANSMISSION
E = ECONOMY	1 = Lt. Duty DODGE 2WD	74 = SPORT UTILITY 4-DR	EVE = 4.7L V8 Engine	DF9 = AHS-T RWD Automatic Trans
P = PREMIUM	5 = Lt. Duty DODGE 4WD	TYPE #4	EZD = 5.7L Hemi VCT MDS Engine	DGQ = 5-Spd Automatic 545RFE Transmission
			EZE = 5.7L Hemi HEV Engine	

AR = use ase required - = Non illustrated part

**Wiring Package-Trailer Tow-7 Way
Figure 1-243**

ITEM	PART NUMBER	QTY	LINE	SERIES	BODY	ENGINE	TRANS	TRIM	DESCRIPTION
1	82209773	1			74				WIRING KIT, Trailer Tow, 7-Way
2	68026723AA	1			74				WIRING, Trailer Tow
3	06016155	1			74				STRAP, Tie, Quantity of 2
4	06503815	1			74				SCREW, M10x1.50x25
5	56055632AB	1			74				CONNECTOR, 7 Way
6	06015756	1							STRAP, Tie, Quantity of 10



ASPEN (HG)

SERIES	LINE	BODY	ENGINE	TRANSMISSION
E = ECONOMY	1 = Lt. Duty DODGE 2WD	74 = SPORT UTILITY 4-DR	EVE = 4.7L V8 Engine	DF9 = AHS-T RWD Automatic Trans
P = PREMIUM	5 = Lt. Duty DODGE 4WD	TYPE #4	EZD = 5.7L Hemi VCT MDS Engine	DGQ = 5-Spd Automatic 545RFE Transmission
			EZE = 5.7L Hemi HEV Engine	

AR = use ase required - = Non illustrated part

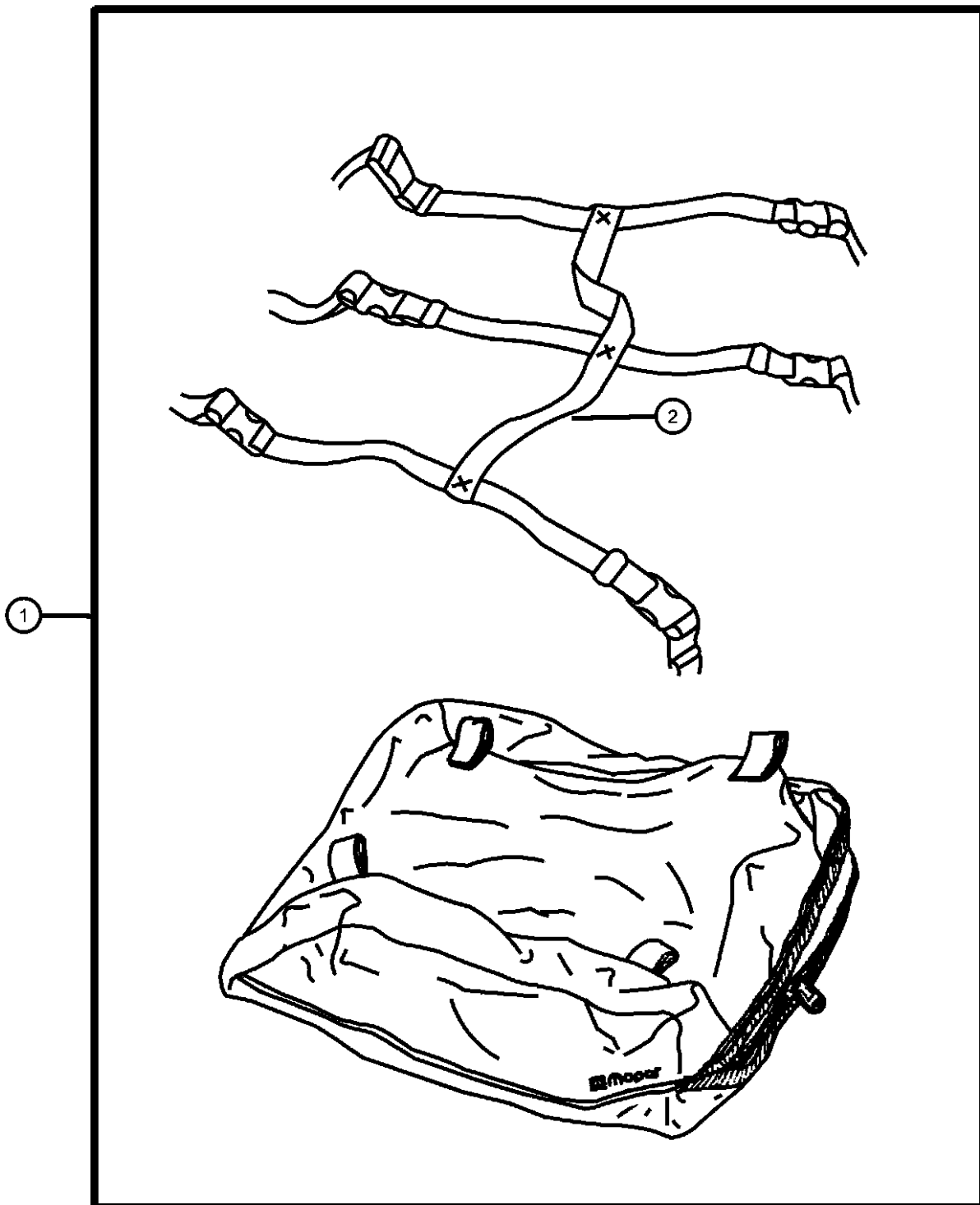
Carrier Kit - Luggage -Soft
Figure 1-252

ITEM	PART NUMBER	QTY	LINE	SERIES	BODY	ENGINE	TRANS	TRIM	DESCRIPTION
------	-------------	-----	------	--------	------	--------	-------	------	-------------

NOTE: Requires Roof Rack.

1	82207198	1							CARRIER KIT, Luggage
2	05066332AA	1							STRAP KIT, Luggage Carrier

CARRIER KIT, Luggage
STRAP KIT, Luggage Carrier



ASPEN (HG)

SERIES

E = ECONOMY
P = PREMIUM

LINE

1 = Lt. Duty DODGE 2WD
5 = Lt. Duty DODGE 4WD

BODY

74 = SPORT UTILITY 4-DR
TYPE #4

ENGINE

EVE = 4.7L V8 Engine
EZD = 5.7L Hemi VCT MDS
Engine
EZE = 5.7L Hemi HEV Engine

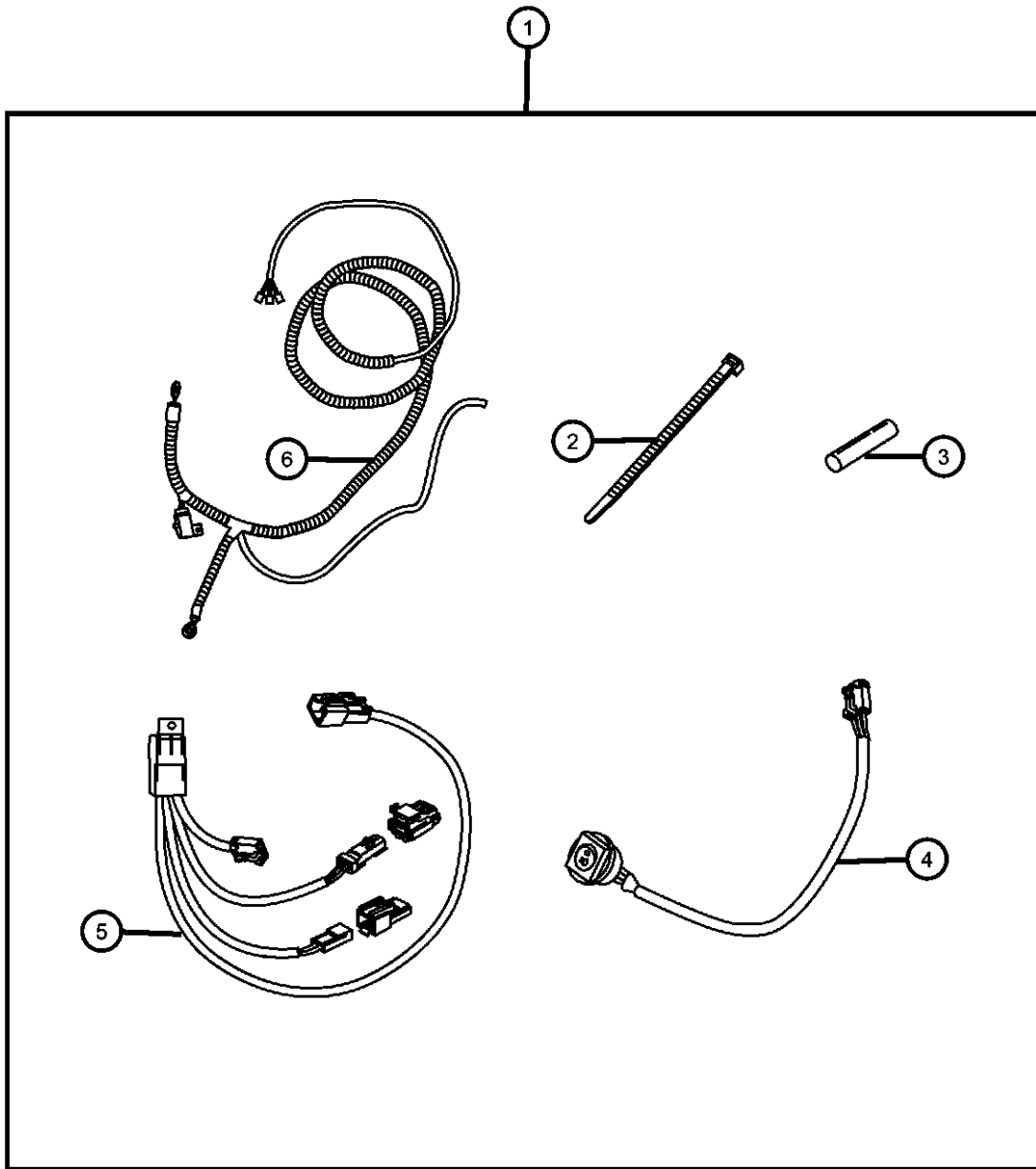
TRANSMISSION

DF9 = AHS-T RWD Automatic Trans
DGQ = 5-Spd Automatic 545RFE
Transmission

AR = use ase required - = Non illustrated part

2009 HG

Wiring Kit - Off Road
Figure 1-264



ITEM	PART NUMBER	QTY	LINE	SERIES	BODY	ENGINE	TRANS	TRIM	DESCRIPTION
1	82211452	1			74				WIRING KIT, Off Road
2	06015756	1			74				STRAP, Tie, Quantity of 14
3	04778570	1			74				TUBE, Heat Shrink
4	68005178AC	1			74				SWITCH, Fog Lamp
5	05179783AB	1			74				HARNESS, Wiring
6	05179784AA	1			74				HARNESS, Roof

ASPEN (HG)

SERIES

E = ECONOMY
P = PREMIUM

LINE

1 = Lt. Duty DODGE 2WD
5 = Lt. Duty DODGE 4WD

BODY

74 = SPORT UTILITY 4-DR
TYPE #4

ENGINE

EVE = 4.7L V8 Engine
EZD = 5.7L Hemi VCT MDS
Engine
EZE = 5.7L Hemi HEV Engine

TRANSMISSION

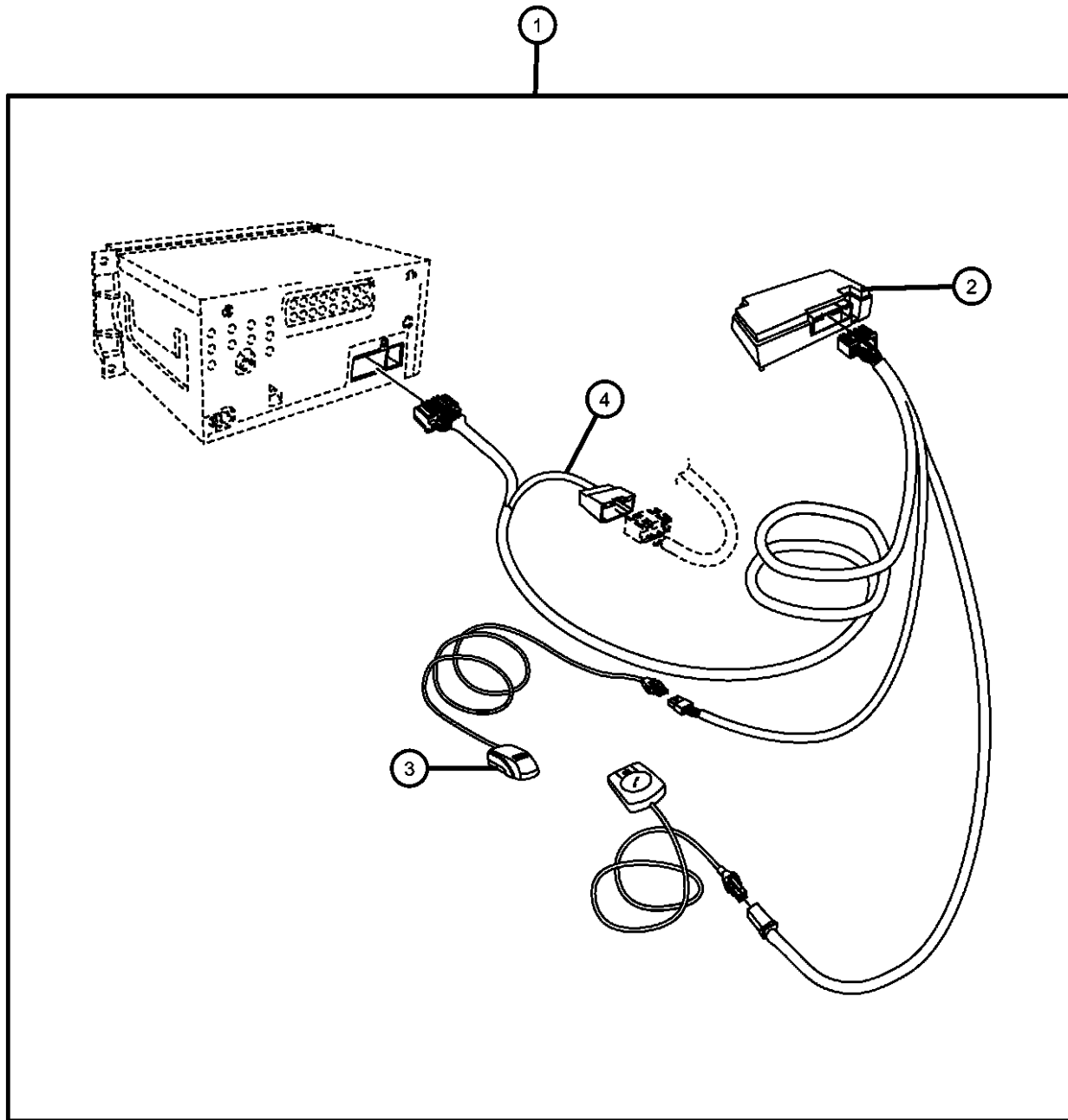
DF9 = AHS-T RWD Automatic Trans
DGQ = 5-Spd Automatic 545RFE
Transmission

AR = use ase required - = Non illustrated part

2009 HG

Hands Free Kit - Cellular Phone-Blue Tooth-Low Speed
Figure 1-312

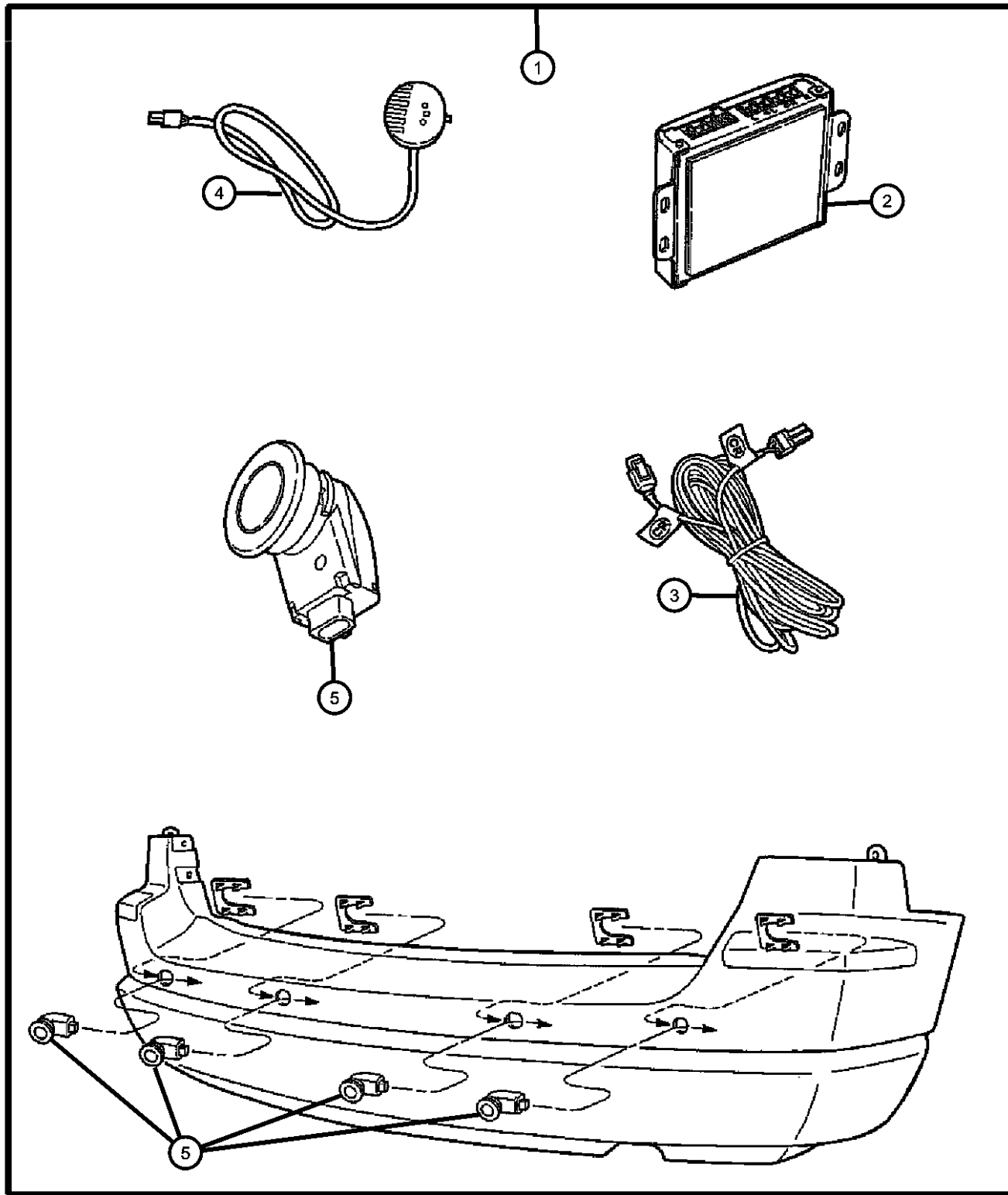
ITEM	PART NUMBER	QTY	LINE	SERIES	BODY	ENGINE	TRANS	TRIM	DESCRIPTION
1	82211005AB	1							HANDS FREE KIT, Cellular Phone
2	05064448AD	1							MODULE, Telematics
3	68002646AA	1							MICROPHONE, Audio
4	68002648AA	1							HARNESS



ASPEN (HG)				
SERIES	LINE	BODY	ENGINE	TRANSMISSION
E = ECONOMY	1 = Lt. Duty DODGE 2WD	74 = SPORT UTILITY 4-DR	EVE = 4.7L V8 Engine	DF9 = AHS-T RWD Automatic Trans
P = PREMIUM	5 = Lt. Duty DODGE 4WD	TYPE #4	EZD = 5.7L Hemi VCT MDS Engine	DGQ = 5-Spd Automatic 545RFE Transmission
			EZE = 5.7L Hemi HEV Engine	

AR = use ase required - = Non illustrated part

Sensor Package-Park/Distance
Figure 1-320



ITEM	PART NUMBER	QTY	LINE	SERIES	BODY	ENGINE	TRANS	TRIM	DESCRIPTION
1	82208246AE	1							SENSOR KIT, Park Distance
2	05137541AA	1							MODULE, Parking Assist
3	05137540AA	4	1, 5		74				WIRING, Distance Sensor
4	05137539AA	1							DISPLAY, Parking Assist
5	05137536AA	1							SENSOR

ASPEN (HG)

SERIES

E = ECONOMY
P = PREMIUM

LINE

1 = Lt. Duty DODGE 2WD
5 = Lt. Duty DODGE 4WD

BODY

74 = SPORT UTILITY 4-DR
TYPE #4

ENGINE

EVE = 4.7L V8 Engine
EZD = 5.7L Hemi VCT MDS
Engine
EZE = 5.7L Hemi HEV Engine

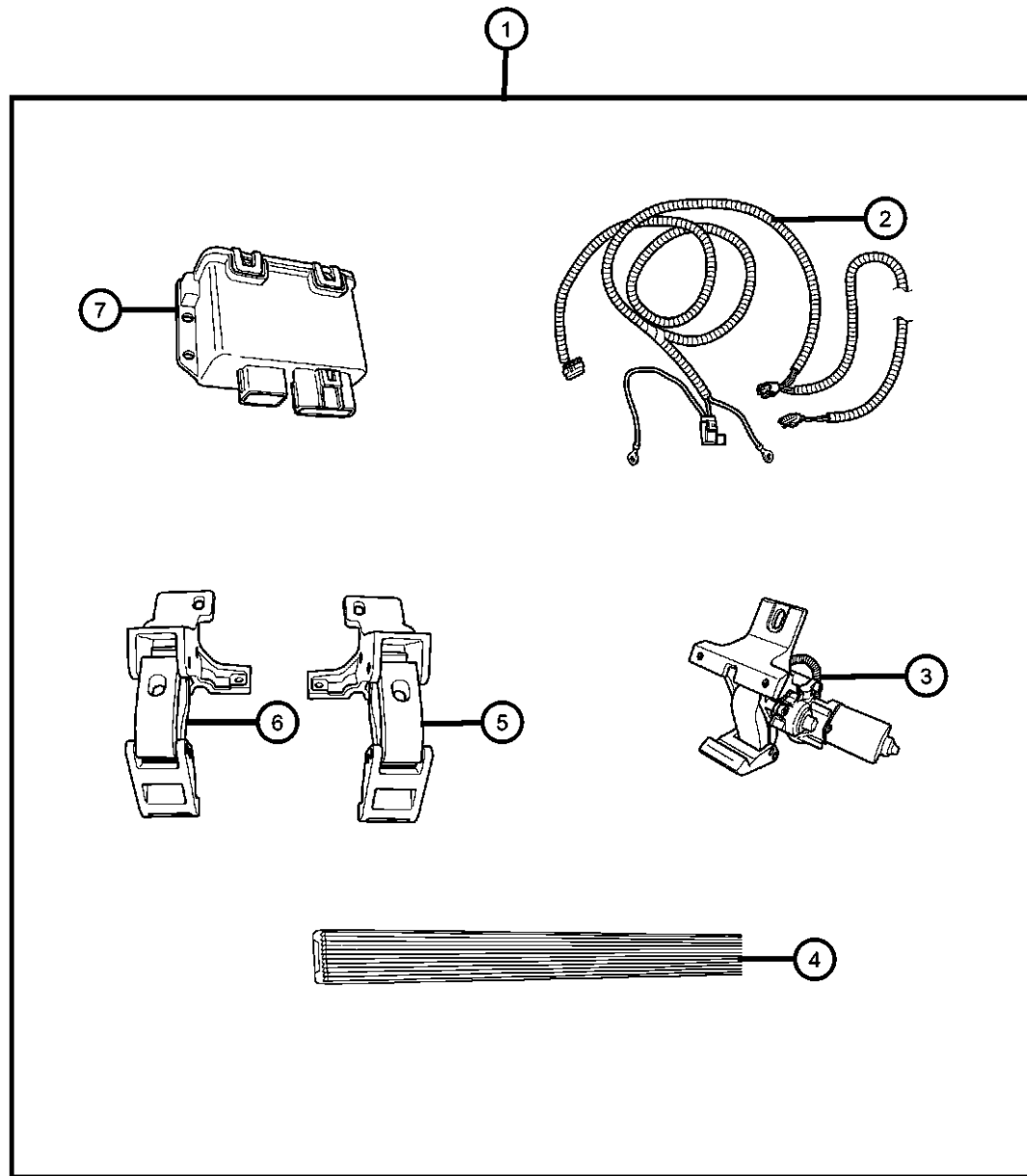
TRANSMISSION

DF9 = AHS-T RWD Automatic Trans
DGQ = 5-Spd Automatic 545RFE
Transmission

AR = use ase required - = Non illustrated part

Board Kit - Running-Power
Figure 1-438

ITEM	PART NUMBER	QTY	LINE	SERIES	BODY	ENGINE	TRANS	TRIM	DESCRIPTION
1	82209108AB	1							RUNNING BOARD KIT, Full
2	68022355AA	1							HARNESS, Wiring
3	68022352AA	1							LINK ASSY, LINK ASSY, Drive
4	68022354AA	1							STEP, Side
5	68022353AA	1							LINK ASSY, LINK ASSY, Idler RH
6	68022351AA	1							LINK ASSY, LINK ASSY, Idler LH
7	68022350AA	1							MODULE, Controller



ASPEN (HG)

SERIES	LINE	BODY	ENGINE	TRANSMISSION
E = ECONOMY	1 = Lt. Duty DODGE 2WD	74 = SPORT UTILITY 4-DR	EVE = 4.7L V8 Engine	DF9 = AHS-T RWD Automatic Trans
P = PREMIUM	5 = Lt. Duty DODGE 4WD	TYPE #4	EZD = 5.7L Hemi VCT MDS Engine	DGQ = 5-Spd Automatic 545RFE Transmission
			EZE = 5.7L Hemi HEV Engine	

AR = use ase required - = Non illustrated part

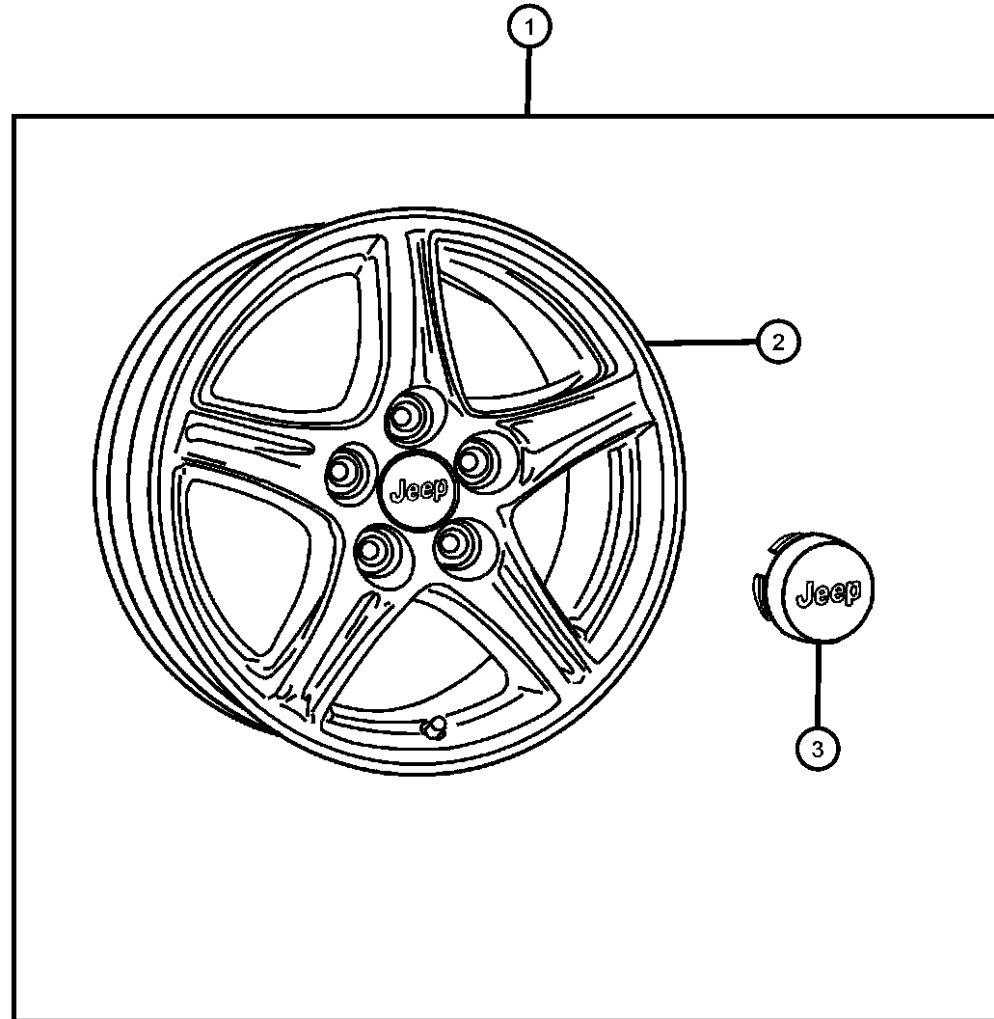
2009 HG

**Wheel Kit
Figure 1-448**

ITEM	PART NUMBER	QTY	LINE	SERIES	BODY	ENGINE	TRANS	TRIM	DESCRIPTION
------	-------------	-----	------	--------	------	--------	-------	------	-------------

Note;Item #1,Contains 1-Wheel and 1-Center Cap This is a generic illustration

1	82210158AB	1			74				WHEEL KIT, Cast Aluminum 20x8x35 Chrome
	82210161	1							20x8J Chrome
2	82210161	1							WHEEL, (NOT SERVICED),
3	04895899AB	1							CAP, Wheel Center Chrysler Chrome
	52013724AA	4	1, 5		74				Chrysler Medallion 63MM Button



ASPEN (HG)

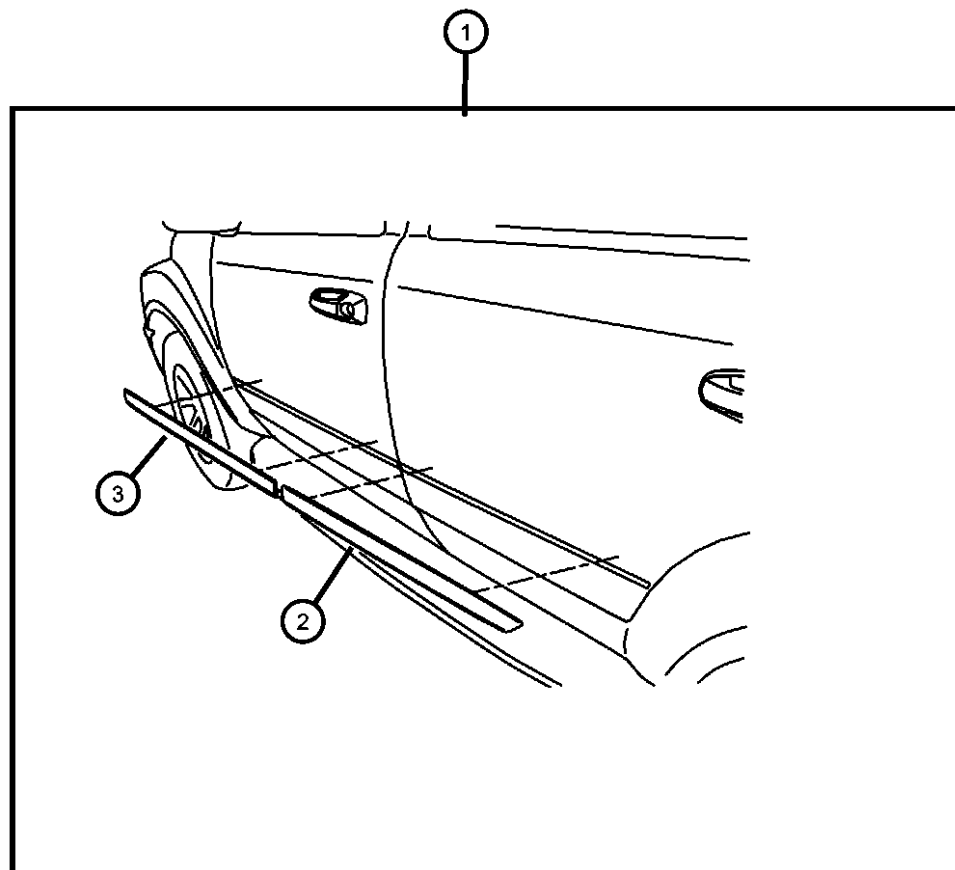
SERIES	LINE	BODY	ENGINE	TRANSMISSION
E = ECONOMY	1 = Lt. Duty DODGE 2WD	74 = SPORT UTILITY 4-DR	EVE = 4.7L V8 Engine	DF9 = AHS-T RWD Automatic Trans
P = PREMIUM	5 = Lt. Duty DODGE 4WD	TYPE #4	EZD = 5.7L Hemi VCT MDS Engine	DGQ = 5-Spd Automatic 545RFE Transmission
			EZE = 5.7L Hemi HEV Engine	

AR = use ase required - = Non illustrated part

2009 HG

**Molding Kit
Figure 1-506**

ITEM	PART NUMBER	QTY	LINE	SERIES	BODY	ENGINE	TRANS	TRIM	DESCRIPTION
1	82210282	1							DECOR KIT, Bodyside
2									MOLDING, Rear Door
	55078068AB	1							Right Hand Rear
	55078069AB	1							Left Hand Rear
3									MOLDING, Front Door
	55078066AB	1							Right Hand Front
	55078067AB	1							Left Hand Front



ASPEN (HG)

SERIES	LINE	BODY	ENGINE	TRANSMISSION
E = ECONOMY	1 = Lt. Duty DODGE 2WD	74 = SPORT UTILITY 4-DR	EVE = 4.7L V8 Engine	DF9 = AHS-T RWD Automatic Trans
P = PREMIUM	5 = Lt. Duty DODGE 4WD	TYPE #4	EZD = 5.7L Hemi VCT MDS Engine	DGQ = 5-Spd Automatic 545RFE Transmission
			EZE = 5.7L Hemi HEV Engine	

AR = use ase required - = Non illustrated part

2009 HG

<< RETURN TO GROUP INDEX

This is the cut pages sample. Download all 411 page(s) at: ManualPlace.com