

VIN PLATE DECODING INFORMATION

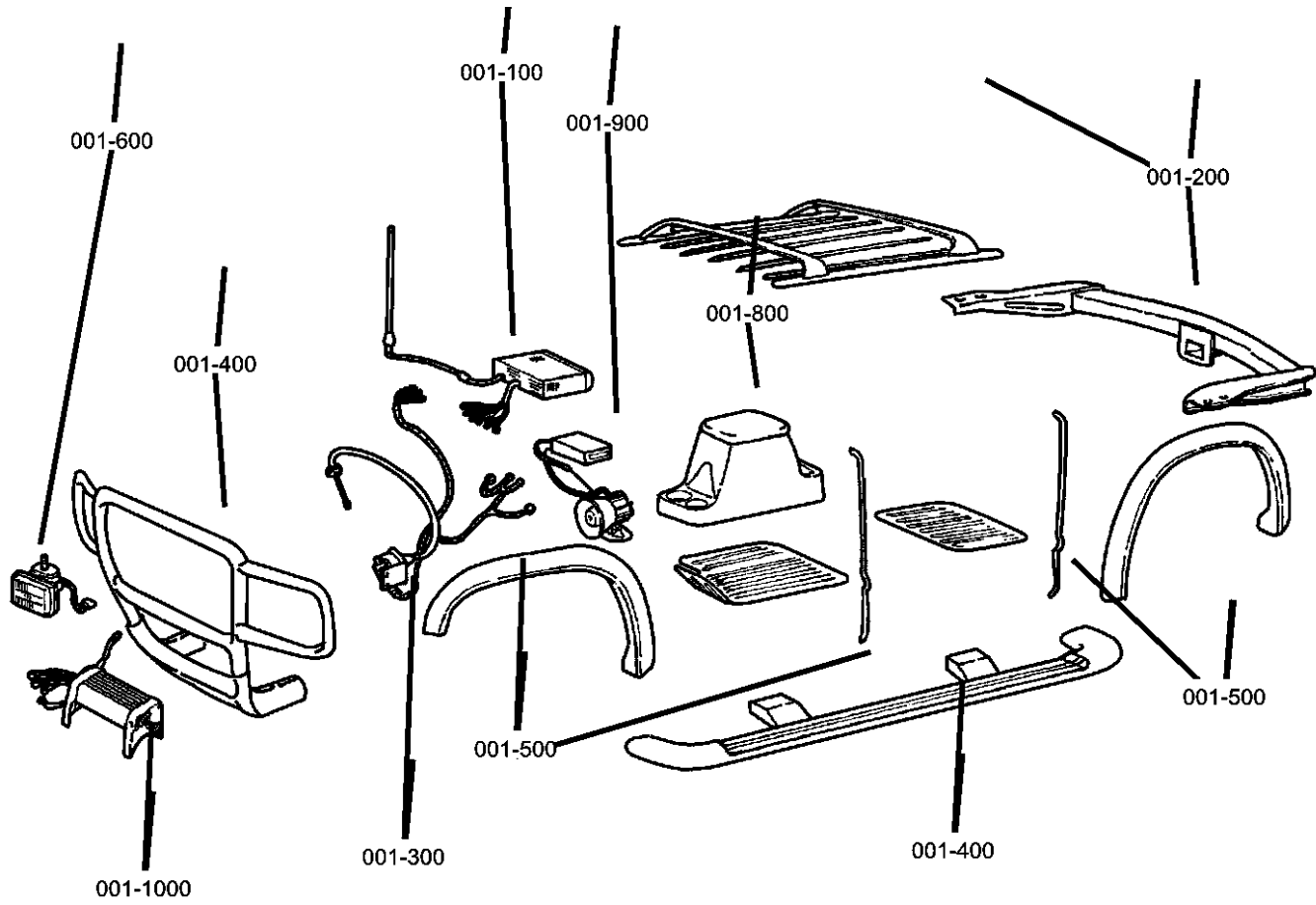
1	2	3	4	5	6	7	8	9	10	11	12 thru 17
Country	Make	Vehicle Type	Other	Line	Series	Body Style	Engine	Check Digit	Model Year	Assy. Plant	Sequence No.


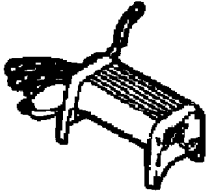
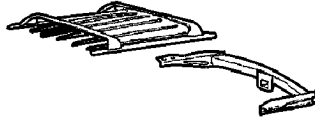

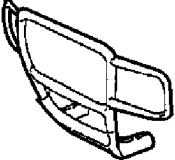
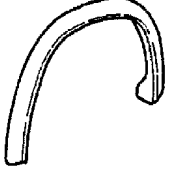

The following table interprets the VIN Plate position shown above.

Position	Interpretation	Codes = Description
1	Country of Origin	1 = Manufactured By DaimlerChrysler Corporation
2	Assembler	A = Chrysler
3	Vehicle Type	7 = Truck
4	GVWR & Pass. Safety	D = 0001-3000# (0 - 1360 KG) GVWR & Hyd. Brakes M = 10001-14000# (4536 - 6350 KG) GVWR & Hyd. Brakes E = 3001-4000# (1361 - 1814 KG) GVWR & Hyd Brakes F = 4001-5000# (1815 - 2267 KG) GVWR & Hyd. Brakes G = 5001-6000# (2268 - 2721 KG) GVWR & Hyd. Brakes H = 6001-7000# (2722 - 3175 KG) GVWR & Hyd. Brakes J = 7001-8000# (3176 - 3628 KG) GVWR & Hyd. Brakes 7 = 8001-9000# (3629 - 4082 KG) GVWR & Hyd. Brakes L = 9001-10000# (4083 - 4535 KG) GVWR & Hyd. Brakes
5	Vehicle Line	X = Aspen (4x2) W = Aspen (4x4)
6	Series	5 = Aspen Limited (4x2) (U.S., Mexico) 5 = Aspen Limited (4x4) (U.S., Canada, Mexico)
7	Body Style	8 = Sport Utility 4 Door-Aspen
8	Engine	2 = 5.7L V8 CYL HEMI Multiple Displacement Gasoline (EZB) N = 4.7L V8 CYL Gasoline (EVE)
9	Check Digit	0 = Check Digit
10	Model Year	8 = 2008 Model Year
11	Assembly Plant	F = Newark Assembly
12 thru 17	Vehicle Build Sequence	Model Year Assembly Sequence

Group - 1

MoPar Accessories

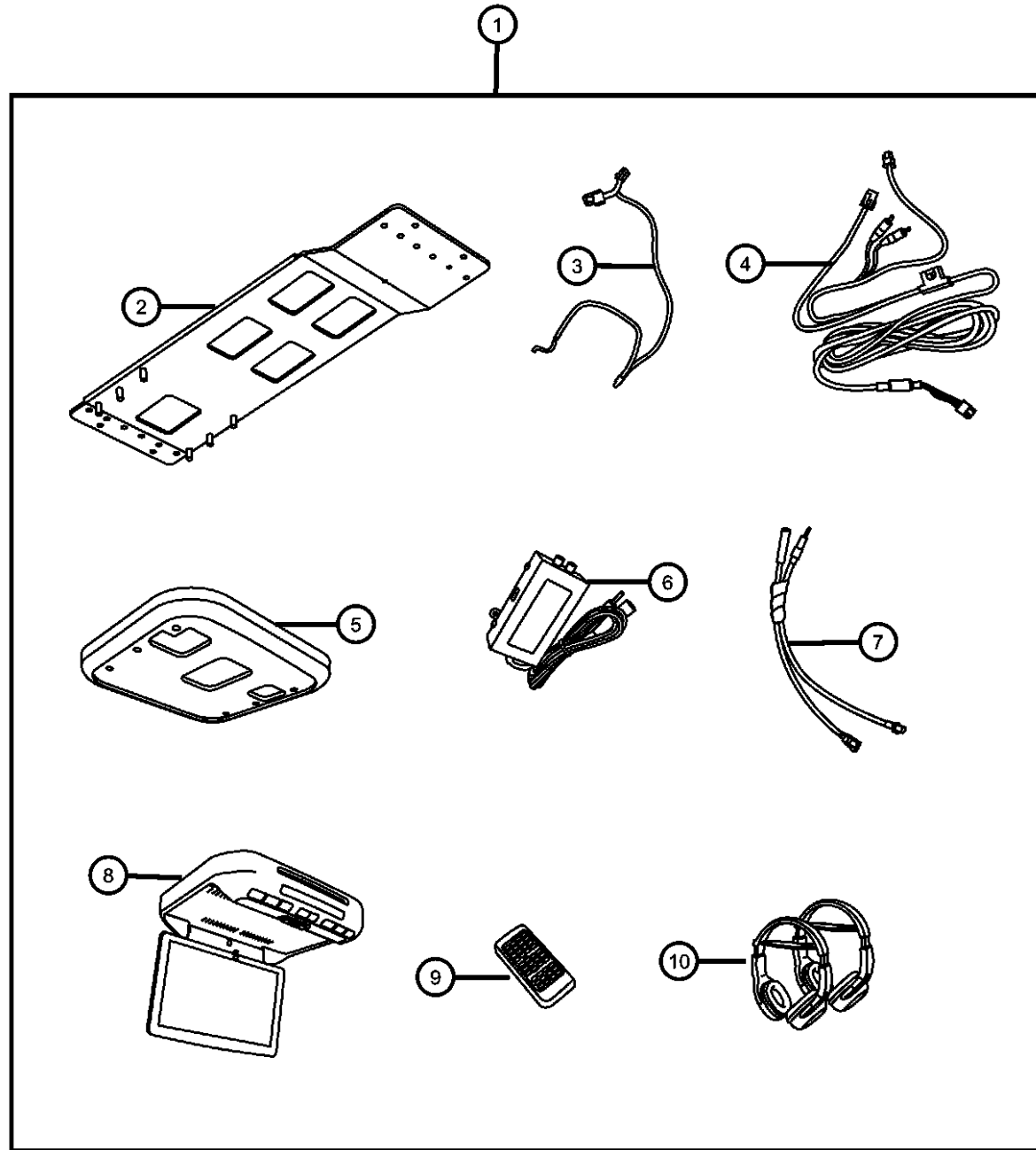


<p>001-100 Audio & Electronics</p> 	<p>001-1000 4-Wheeling and Off Road</p> 	<p>001-200 Carriers & Cargo Hauling</p> 	<p>001-300 Driving Convenience</p> 
<p>001-400 Exterior Appearance</p> 	<p>001-500 Exterior Protection</p> 	<p>001-600 Fog Lights & Electrical</p> 	

Group - 1 MoPar Accessories

Illustration Title	Group-Fig. No.
Audio & Electronics	
Media System	Fig. 1 - 110
Install Kit - Satellite Receiver	Fig. 1 - 114
iPod	Fig. 1 - 122
Carriers & Cargo Hauling	
Carrier Kit-Bike Hitch Mount.....	Fig. 1 - 204
Carrier Kit - Water Sports.....	Fig. 1 - 210
Carrier Kit - Canoe	Fig. 1 - 212
Carrier Kit - Bike-Fork Mount.....	Fig. 1 - 214
Carrier Kit -Bike-Upright Mount	Fig. 1 - 216
Carrier Kit - Ski	Fig. 1 - 220
Rack Kit - Multipurpose	Fig. 1 - 238
Carrier Kit - Luggage Soft	Fig. 1 - 252
Wiring Kit - Off Road	Fig. 1 - 264
Driving Convenience	
Hands Free Kit-Cellular Phone-Blue Tooth-Low Speed	Fig. 1 - 312
Sensor Kit- Park/Distance	Fig. 1 - 320
Exterior Appearance	
Board Kit - Running-Power	Fig. 1 - 438
Wheel Kit.....	Fig. 1 - 448
Exterior Protection	
Molding Kit.....	Fig. 1 - 506
Fog Lights & Electrical	
Heater Kit - Engine Block.....	Fig. 1 - 602
4-Wheeling and Off Road	
Hook Kit - Tow	Fig. 1 - 1008
Plate Kit - Skid - Fuel Tank	Fig. 1 - 1010
Plate Kit - Skid -Transfer Case	Fig. 1 - 1016

Media System
Figure 1-110



ITEM	PART NUMBER	QTY	LINE	SERIES	BODY	ENGINE	TRANS	TRIM	DESCRIPTION
1	82210939AB	1							MEDIA SYSTEM, Monitor With DVD, 10 Inch
2	68030138AA	1							BRACKET
3	68033634AA	1							HARNESS, Wiring
4	68026724AA	1							HARNESS, Wiring
5	68036470AA	1							SHROUD, SHROUD
6	05166872AA	1							MODULATOR, FM
7	68037916AA	1							HARNESS, Wiring
8	68036468AB	1							DVD CHANGER
9	68024459AA	1							REMOTE, Wireless Infrared
10	05064037AA	1							HEADPHONES, Wireless

ASPEN (HG)

SERIES

P = PREMIUM

LINE

1 = Lt. Duty DODGE 2WD
5 = Lt. Duty DODGE 4WD

BODY

74 = SPORT UTILITY 4-DR
TYPE #4

ENGINE

EVE = Engine - 4.7L V8 DOHC
3 Valve
EZB = 5.7L Hemi Multi
Displacement Engine

TRANSMISSION

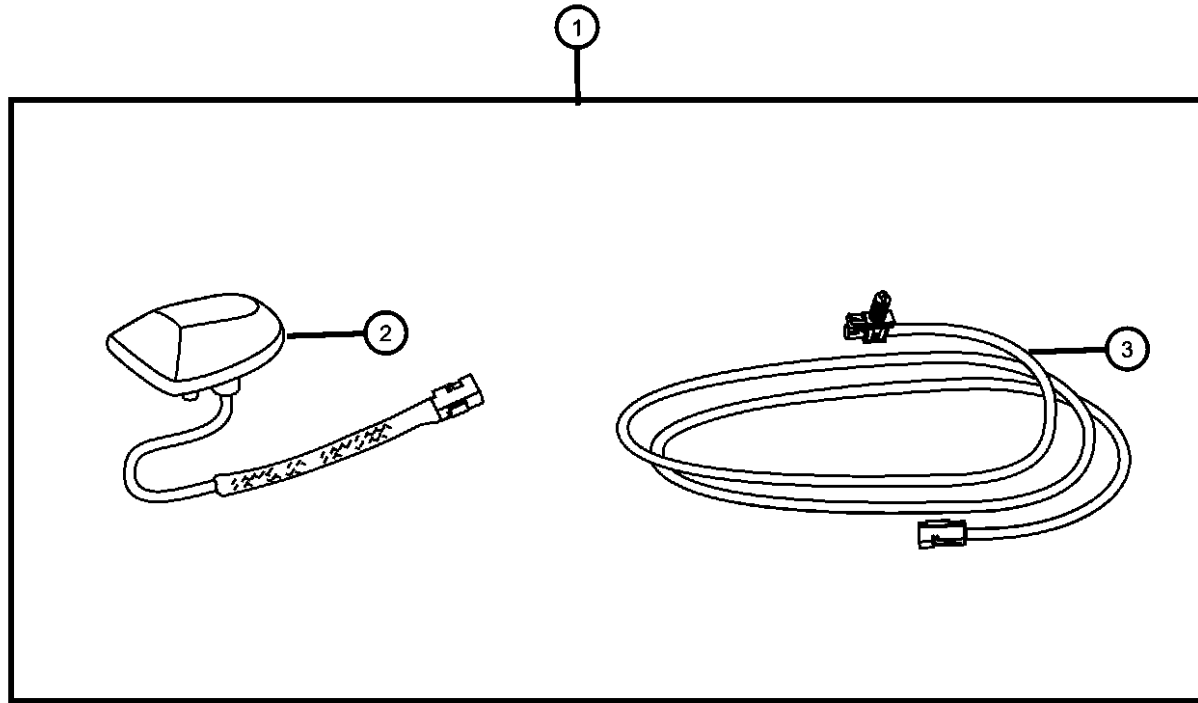
DGQ = 5-Spd Automatic 545RFE
Transmission

AR = use ase required - = Non illustrated part

2008 HG

Install Kit - Satellite Receiver
Figure 1-114

ITEM	PART NUMBER	QTY	LINE	SERIES	BODY	ENGINE	TRANS	TRIM	DESCRIPTION
1	82210940AB	1			74				INSTALL KIT, Satelite Receiver
2	05150048AB	1			74				ANTENNA, Satellite
3	68023815AA	1			74				HARNESS, Wiring

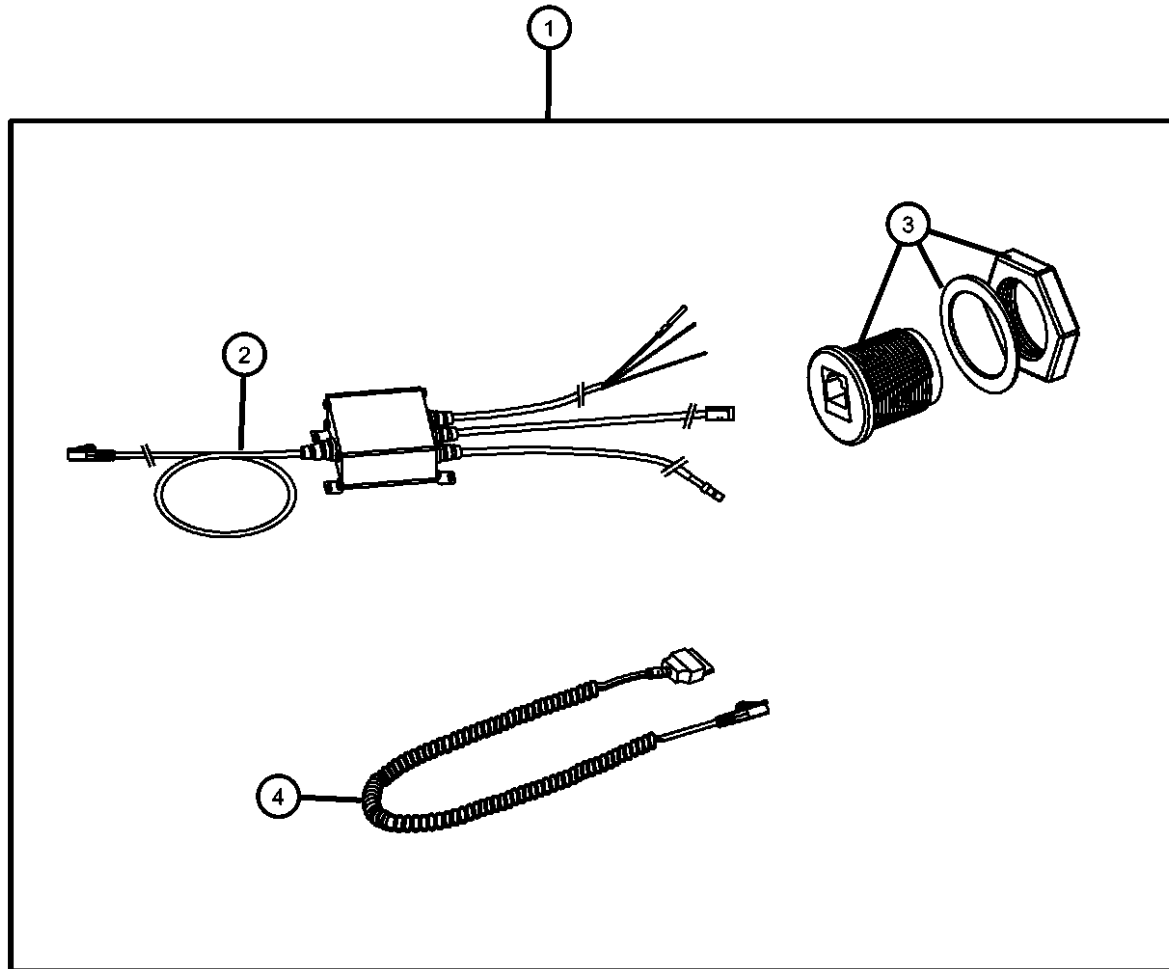


ASPEN (HG)				
SERIES	LINE	BODY	ENGINE	TRANSMISSION
P = PREMIUM	1 = Lt. Duty DODGE 2WD 5 = Lt. Duty DODGE 4WD	74 = SPORT UTILITY 4-DR TYPE #4	EVE = Engine - 4.7L V8 DOHC 3 Valve EZB = 5.7L Hemi Multi Displacement Engine	DGQ = 5-Spd Automatic 545RFE Transmission

AR = use ase required - = Non illustrated part

IPod
Figure 1-122

ITEM	PART NUMBER	QTY	LINE	SERIES	BODY	ENGINE	TRANS	TRIM	DESCRIPTION
1	82210848AB	1							MODULE KIT, IPOD Interface
2	82210848AB	1							MODULE, (NOT SERVICED)
3	68024675AA	1							HARDWARE
4	68001396AA	1							HARNESS, Jumper



ASPEN (HG)

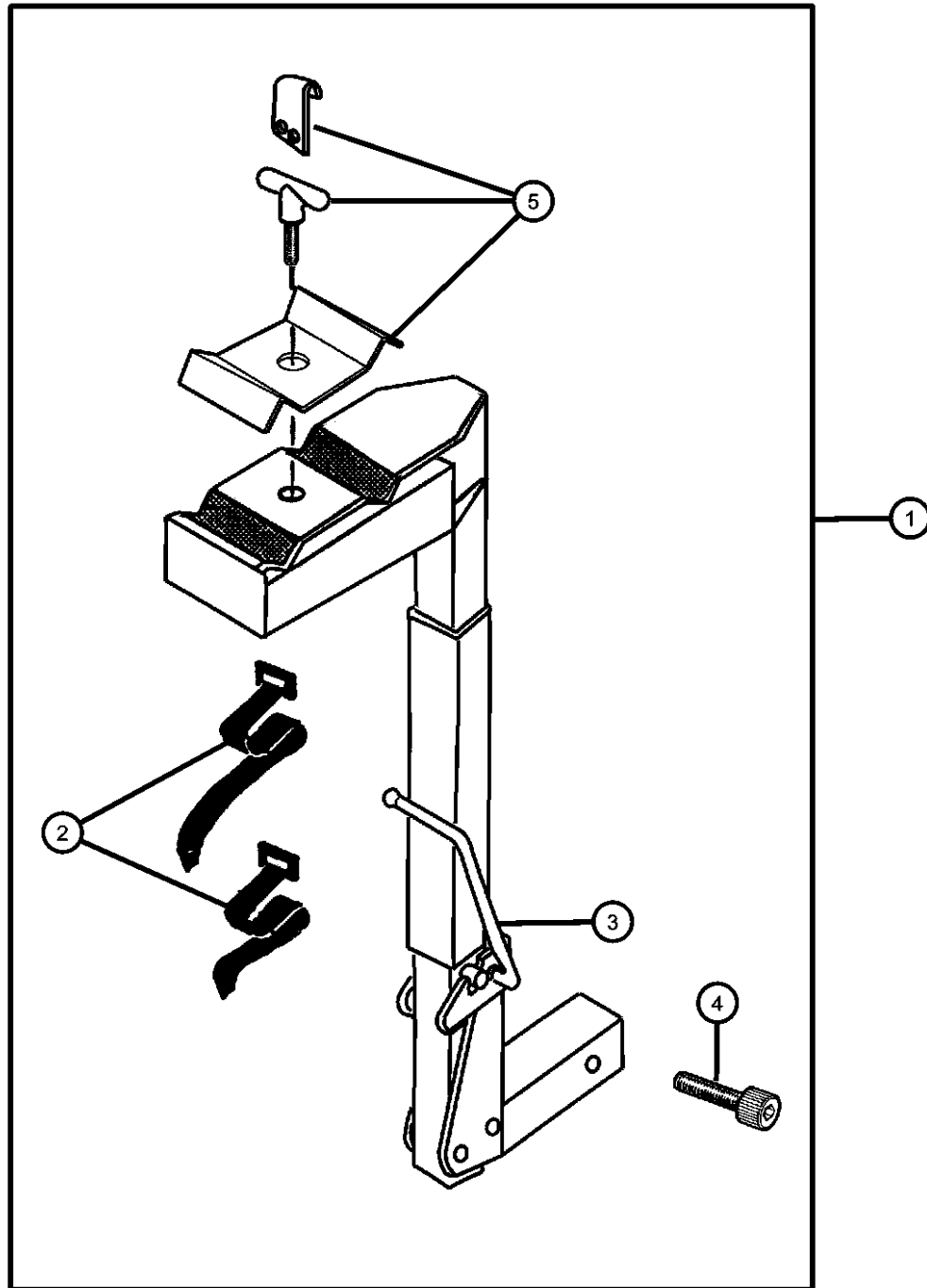
SERIES	LINE	BODY	ENGINE	TRANSMISSION
P = PREMIUM	1 = Lt. Duty DODGE 2WD 5 = Lt. Duty DODGE 4WD	74 = SPORT UTILITY 4-DR TYPE #4	EVE = Engine - 4.7L V8 DOHC 3 Valve EZB = 5.7L Hemi Multi Displacement Engine	DGQ = 5-Spd Automatic 545RFE Transmission

AR = use ase required - = Non illustrated part

2008 HG

Carrier Kit-Bike Hitch Mount
Figure 1-204

ITEM	PART NUMBER	QTY	LINE	SERIES	BODY	ENGINE	TRANS	TRIM	DESCRIPTION
1	82204328	1							CARRIER KIT, Bike 4 Place Carrier
	82204453	1							2 Place Carrier
2	04762880	1							STRAP KIT, Velcro
3	05016775AA	1							STRAP KIT, Bike Carrier Latch, Contains: 2 Rubber Straps
4	05016776AA	1							BOLT KIT, Security, Contains: 1-Security Bolt, 1-Security Wrench, 1-Washer & 1-Nut
5	05018825AA	1							HARDWARE KIT, Bike Carrier, Contains: T-Handle, Lock Strap, Top Clamp Assy & Nylon Washer

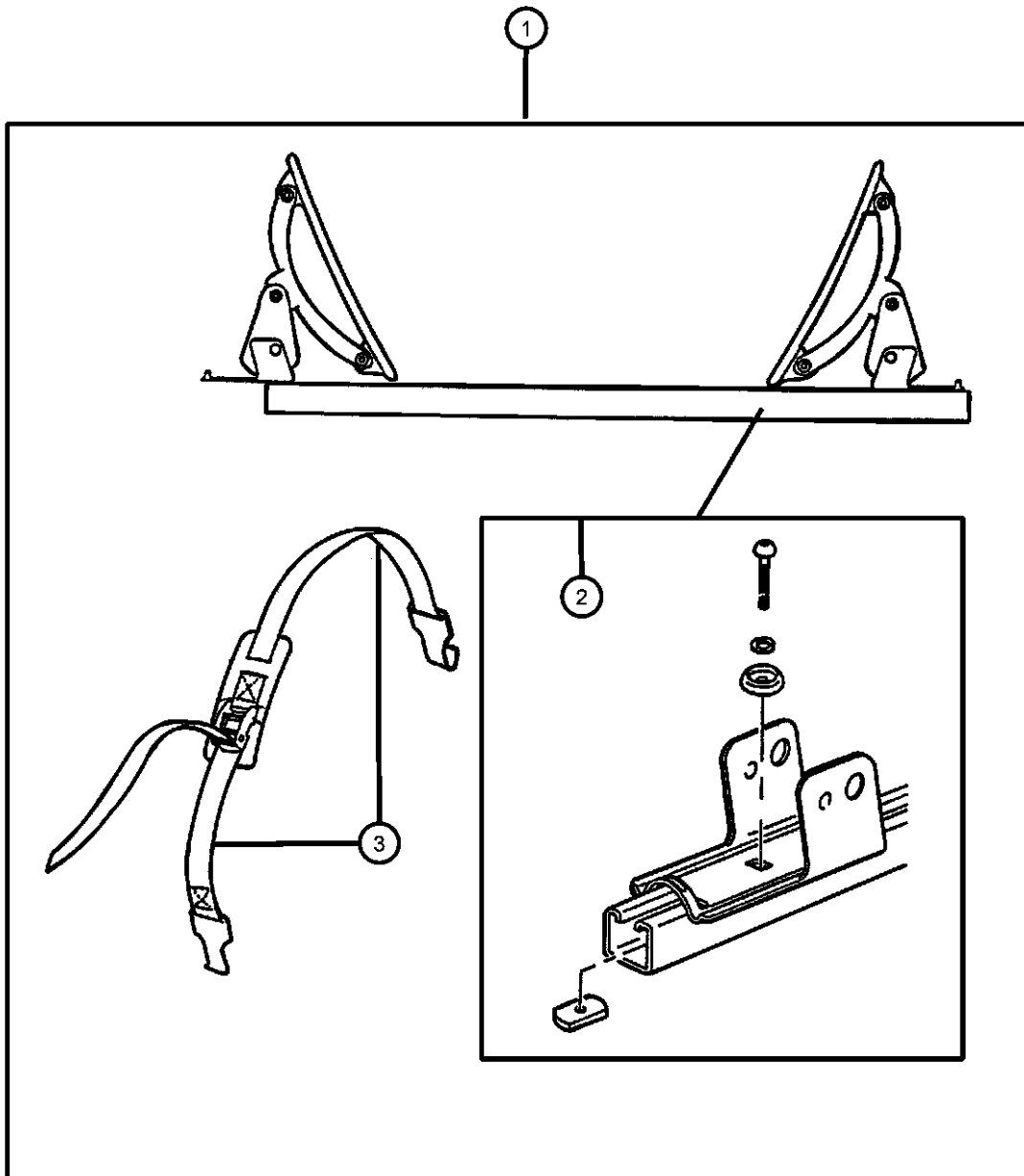


ASPEN (HG)				
SERIES	LINE	BODY	ENGINE	TRANSMISSION
P = PREMIUM	1 = Lt. Duty DODGE 2WD 5 = Lt. Duty DODGE 4WD	74 = SPORT UTILITY 4-DR TYPE #4	EVE = Engine - 4.7L V8 DOHC 3 Valve EZB = 5.7L Hemi Multi Displacement Engine	DGQ = 5-Spd Automatic 545RFE Transmission

AR = use ase required - = Non illustrated part

Carrier Kit - Water Sports
Figure 1-210

ITEM	PART NUMBER	QTY	LINE	SERIES	BODY	ENGINE	TRANS	TRIM	DESCRIPTION
------	-------------	-----	------	--------	------	--------	-------	------	-------------



Note; Requires T-Slot Crossbar

1	82205416	1							
2	05016389AA	1							
3	05016511AA	1							

CARRIER KIT, Water Sports, Kayak, Surfboard, Sail Board
 HARDWARE KIT, Accessory,
 Contains: 4-25MM Button Head
 Screws, 4-30MM Button Head
 Screws, 4-Lock Washers, 4-Dome
 Washers, 4- Rubber Washers &
 4-T-Nuts
 STRAP, Cargo Tie Down

ASPEN (HG)

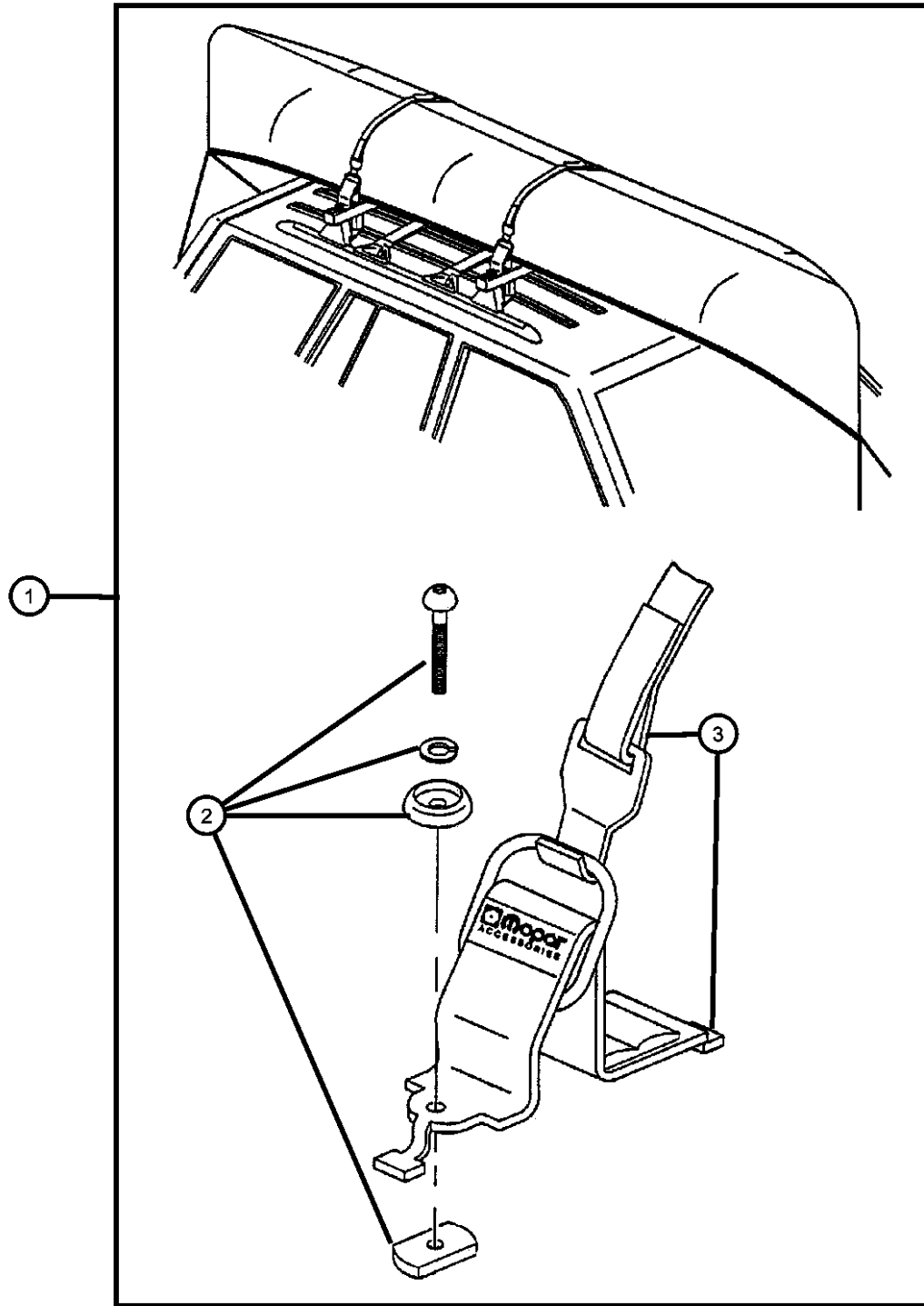
SERIES	LINE	BODY	ENGINE	TRANSMISSION
P = PREMIUM	1 = Lt. Duty DODGE 2WD 5 = Lt. Duty DODGE 4WD	74 = SPORT UTILITY 4-DR TYPE #4	EVE = Engine - 4.7L V8 DOHC 3 Valve EZB = 5.7L Hemi Multi Displacement Engine	DGQ = 5-Spd Automatic 545RFE Transmission

AR = use ase required - = Non illustrated part

2008 HG

Carrier Kit - Canoe
Figure 1-212

ITEM	PART NUMBER	QTY	LINE	SERIES	BODY	ENGINE	TRANS	TRIM	DESCRIPTION
------	-------------	-----	------	--------	------	--------	-------	------	-------------



Note; Requires Sport Utility Bar

1	82204700	1							
2	05016389AA	1							
3	05016511AA	1							

CARRIER KIT, Canoe
HARDWARE KIT, Accessory,
Contains: 4-25MM Button Head
Screws, 4-30MM Button Head
Screws, 4-Lock Washers, 4-Dome
Washers, 4-Rubber Washers &
4-T-Nuts
STRAP, Cargo Tie Down

ASPEN (HG)

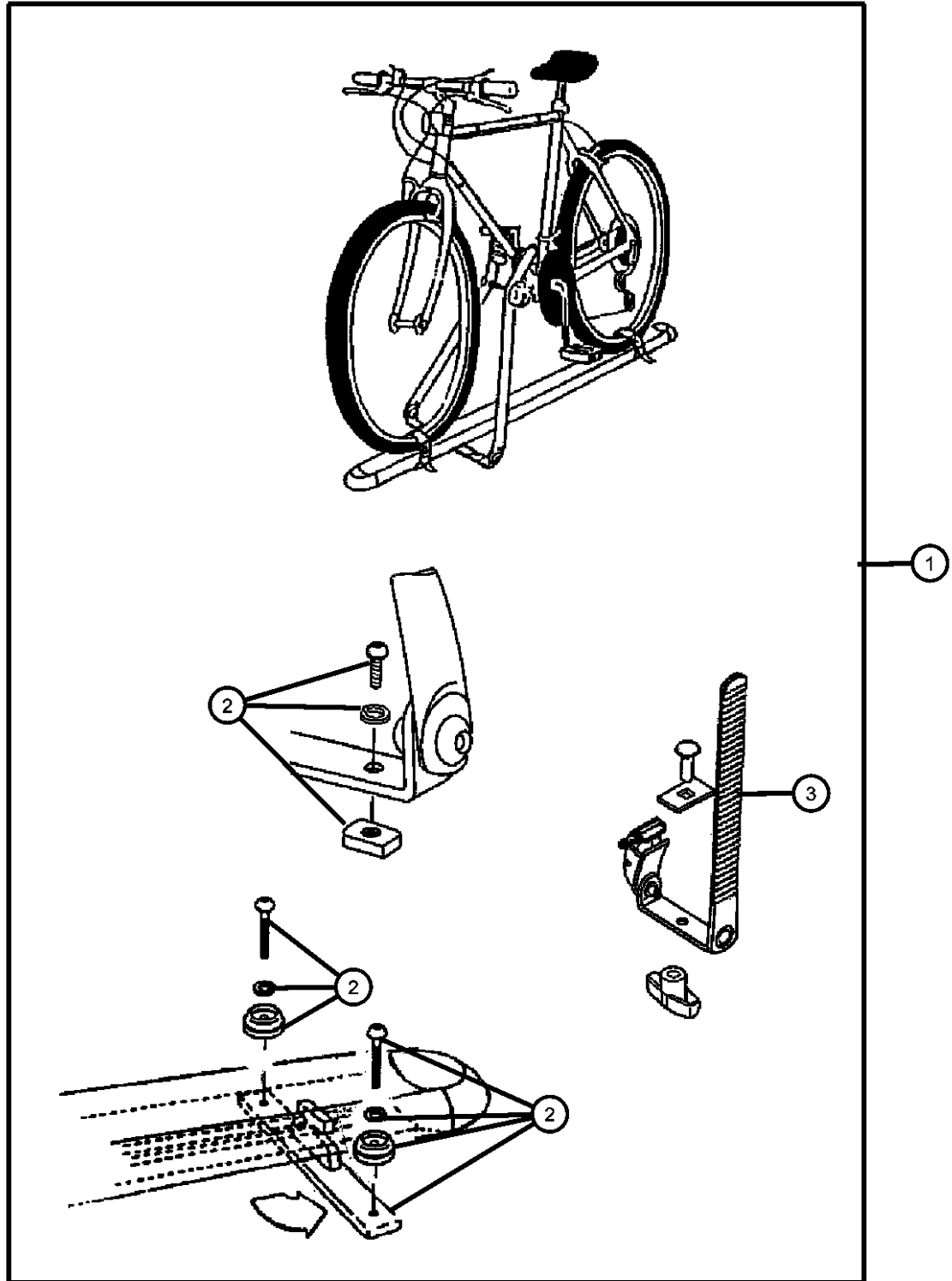
SERIES	LINE	BODY	ENGINE	TRANSMISSION
P = PREMIUM	1 = Lt. Duty DODGE 2WD 5 = Lt. Duty DODGE 4WD	74 = SPORT UTILITY 4-DR TYPE #4	EVE = Engine - 4.7L V8 DOHC 3 Valve EZB = 5.7L Hemi Multi Displacement Engine	DGQ = 5-Spd Automatic 545RFE Transmission

AR = use ase required - = Non illustrated part

2008 HG

Carrier Kit - Bike-Fork Mount
Figure 1-214

ITEM	PART NUMBER	QTY	LINE	SERIES	BODY	ENGINE	TRANS	TRIM	DESCRIPTION
1	82207942	1							CARRIER KIT, Bike
2	05093779AA	1							HARDWARE KIT, Accessory, Contains: 2-T-Slot Anchors, 1-Rear T-Slot Bar, 4-Button Head Screws, 2-Lockwashers, 4-Round Dome Washers
3	05114532AA	1							STRAP, Cargo Tie Down

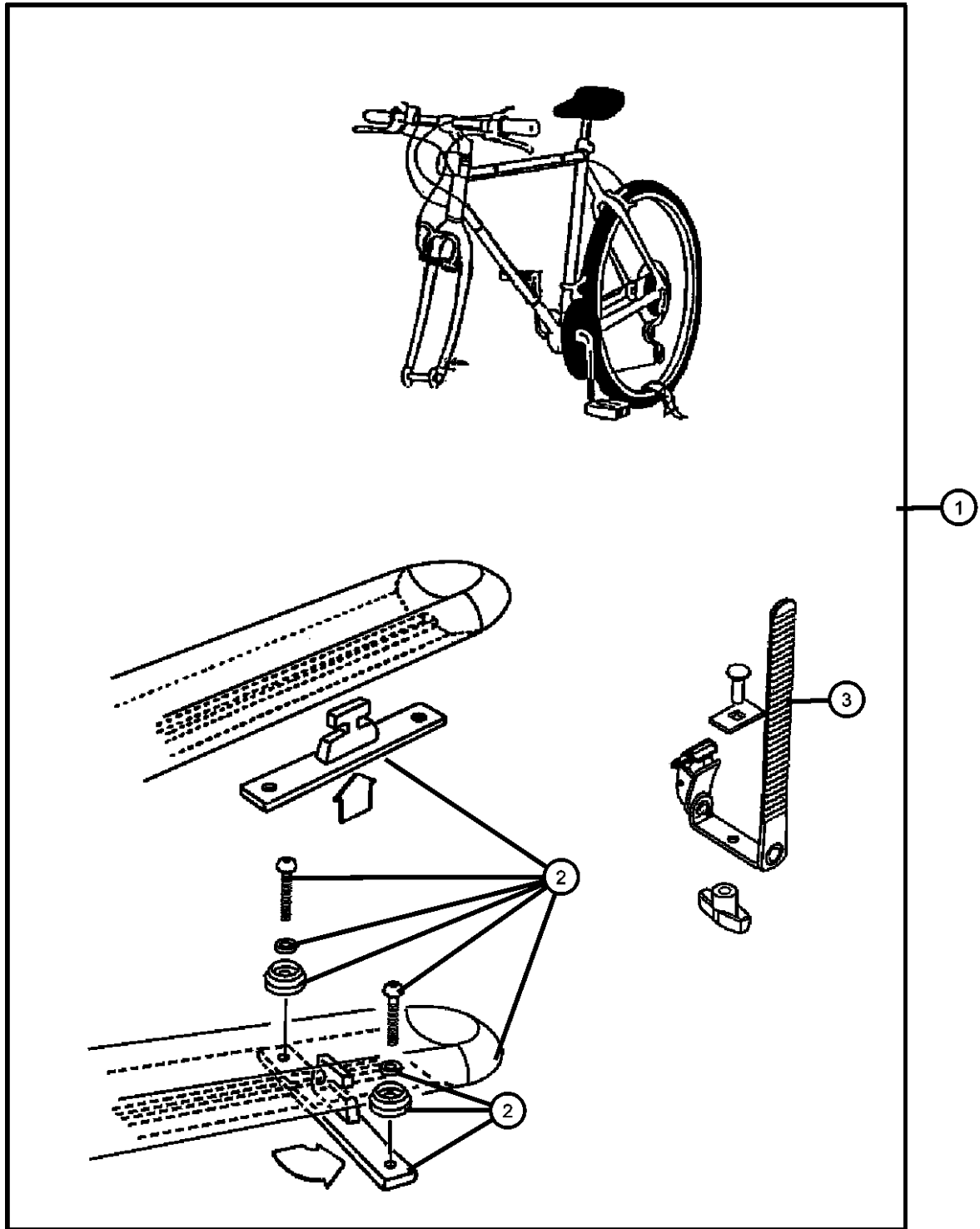


ASPEN (HG)				
SERIES	LINE	BODY	ENGINE	TRANSMISSION
P = PREMIUM	1 = Lt. Duty DODGE 2WD 5 = Lt. Duty DODGE 4WD	74 = SPORT UTILITY 4-DR TYPE #4	EVE = Engine - 4.7L V8 DOHC 3 Valve EZB = 5.7L Hemi Multi Displacement Engine	DGQ = 5-Spd Automatic 545RFE Transmission

AR = use ase required - = Non illustrated part

Carrier Kit -Bike-Upright Mount
Figure 1-216

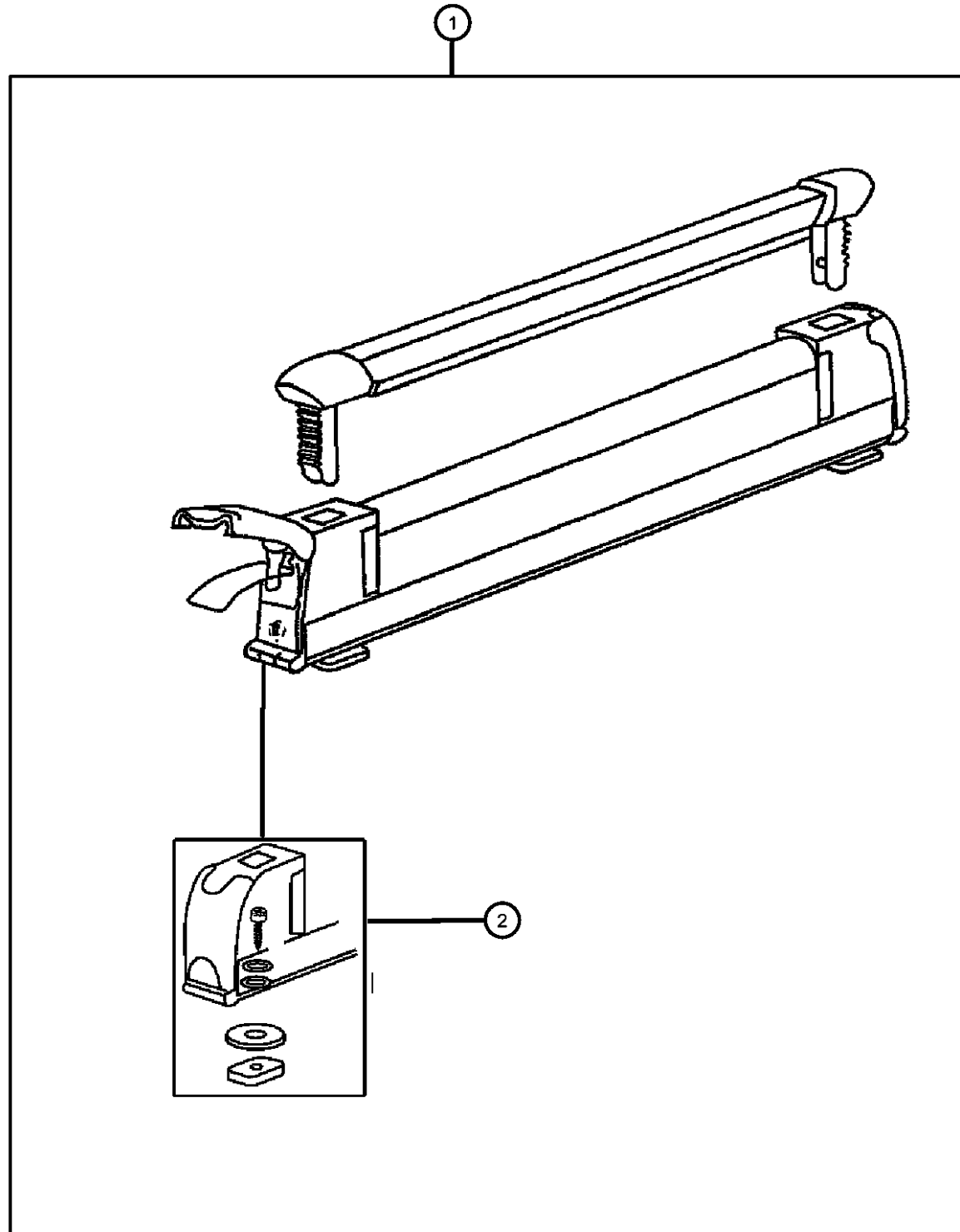
ITEM	PART NUMBER	QTY	LINE	SERIES	BODY	ENGINE	TRANS	TRIM	DESCRIPTION
1	82207943	1							CARRIER KIT, Bike
2	05093779AA	1							HARDWARE KIT, Accessory, Contains: 2-T-Slot Anchor, 1-Rear T-Slot Bar, 4-Button Head Screws, 2-Lockwashers, 4-Round Dome Washers
3	05114532AA	1							STRAP, Cargo Tie Down



ASPEN (HG)				
SERIES	LINE	BODY	ENGINE	TRANSMISSION
P = PREMIUM	1 = Lt. Duty DODGE 2WD 5 = Lt. Duty DODGE 4WD	74 = SPORT UTILITY 4-DR TYPE #4	EVE = Engine - 4.7L V8 DOHC 3 Valve EZB = 5.7L Hemi Multi Displacement Engine	DGQ = 5-Spd Automatic 545RFE Transmission

AR = use ase required - = Non illustrated part

Carrier Kit - Ski
Figure 1-220



ITEM	PART NUMBER	QTY	LINE	SERIES	BODY	ENGINE	TRANS	TRIM	DESCRIPTION
1	82207308	1							CARRIER KIT, Ski
2	05086158AA	1							HARDWARE KIT, Accessory
-3	05066632AA	1							TOOL, Screw Driver

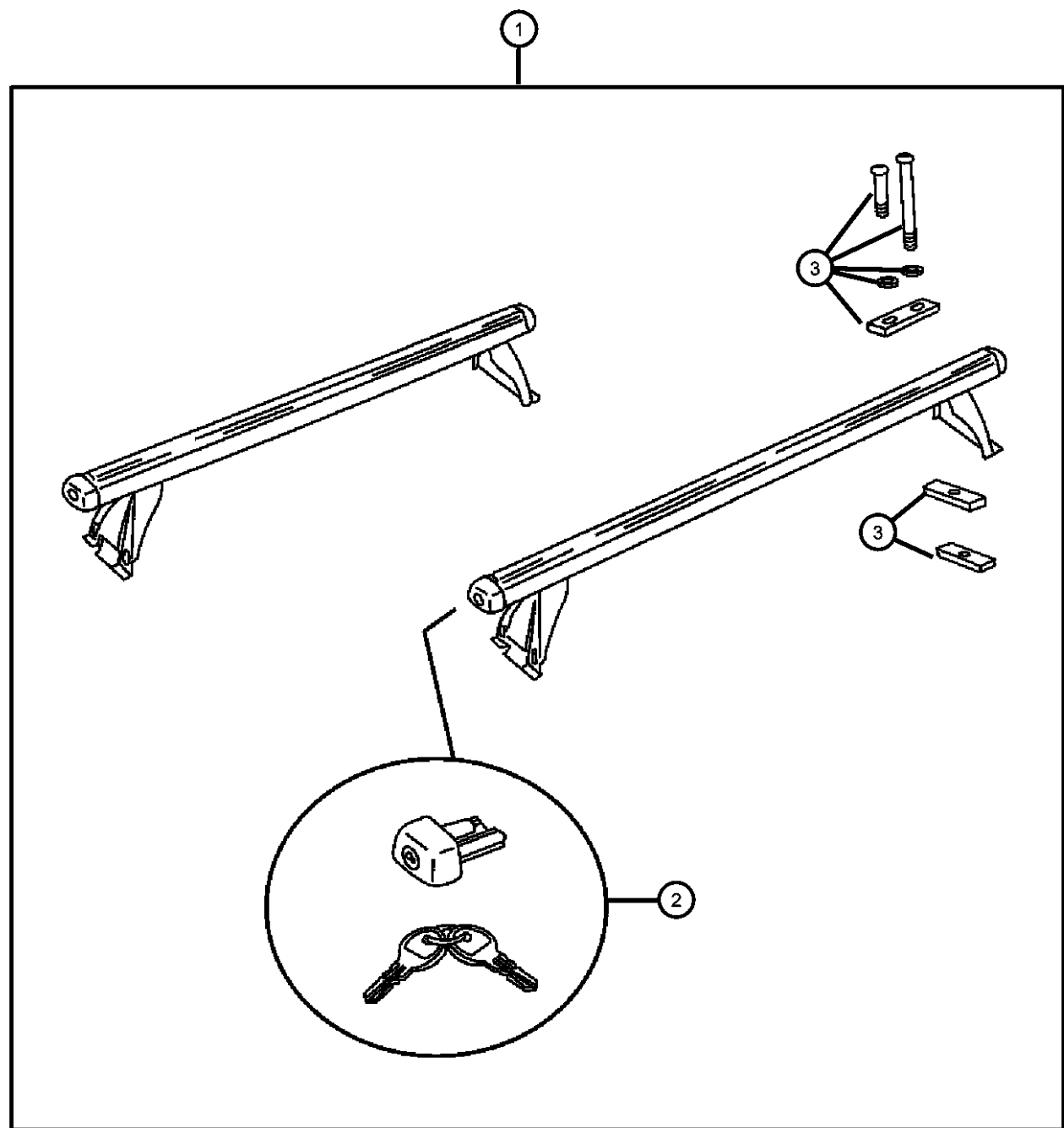
ASPEN (HG)

SERIES	LINE	BODY	ENGINE	TRANSMISSION
P = PREMIUM	1 = Lt. Duty DODGE 2WD 5 = Lt. Duty DODGE 4WD	74 = SPORT UTILITY 4-DR TYPE #4	EVE = Engine - 4.7L V8 DOHC 3 Valve EZB = 5.7L Hemi Multi Displacement Engine	DGQ = 5-Spd Automatic 545RFE Transmission

AR = use ase required - = Non illustrated part

Rack Kit - Multipurpose
Figure 1-238

ITEM	PART NUMBER	QTY	LINE	SERIES	BODY	ENGINE	TRANS	TRIM	DESCRIPTION
------	-------------	-----	------	--------	------	--------	-------	------	-------------



Note; Requires Roof Rack

1	82208282AC	1							RACK KIT, Multipurpose
2	05072276AA	1							END CAP, Roof Rack Side Rail
3	05066452AA	1							HARDWARE KIT, ROOF RACK
-4	05066632AA	1							TOOL, Screw Driver

ASPEN (HG)				
SERIES	LINE	BODY	ENGINE	TRANSMISSION
P = PREMIUM	1 = Lt. Duty DODGE 2WD 5 = Lt. Duty DODGE 4WD	74 = SPORT UTILITY 4-DR TYPE #4	EVE = Engine - 4.7L V8 DOHC 3 Valve EZB = 5.7L Hemi Multi Displacement Engine	DGQ = 5-Spd Automatic 545RFE Transmission

AR = use ase required - = Non illustrated part

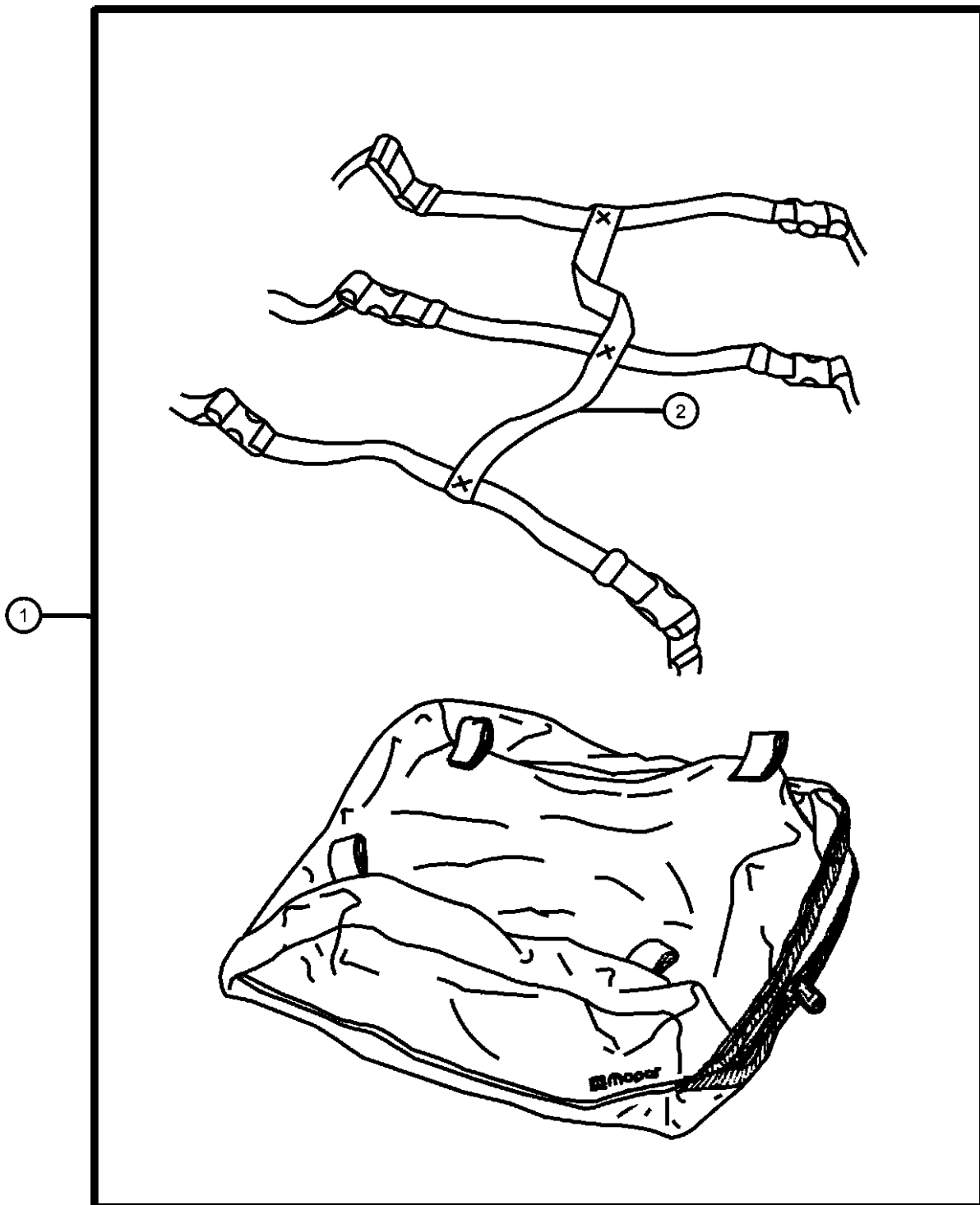
Carrier Kit - Luggage Soft
Figure 1-252

ITEM	PART NUMBER	QTY	LINE	SERIES	BODY	ENGINE	TRANS	TRIM	DESCRIPTION
------	-------------	-----	------	--------	------	--------	-------	------	-------------

NOTE: Requires Roof Rack.

1	82207198	1							CARRIER KIT, Luggage
2	05066332AA	1							STRAP KIT, Luggage Carrier

CARRIER KIT, Luggage
STRAP KIT, Luggage Carrier



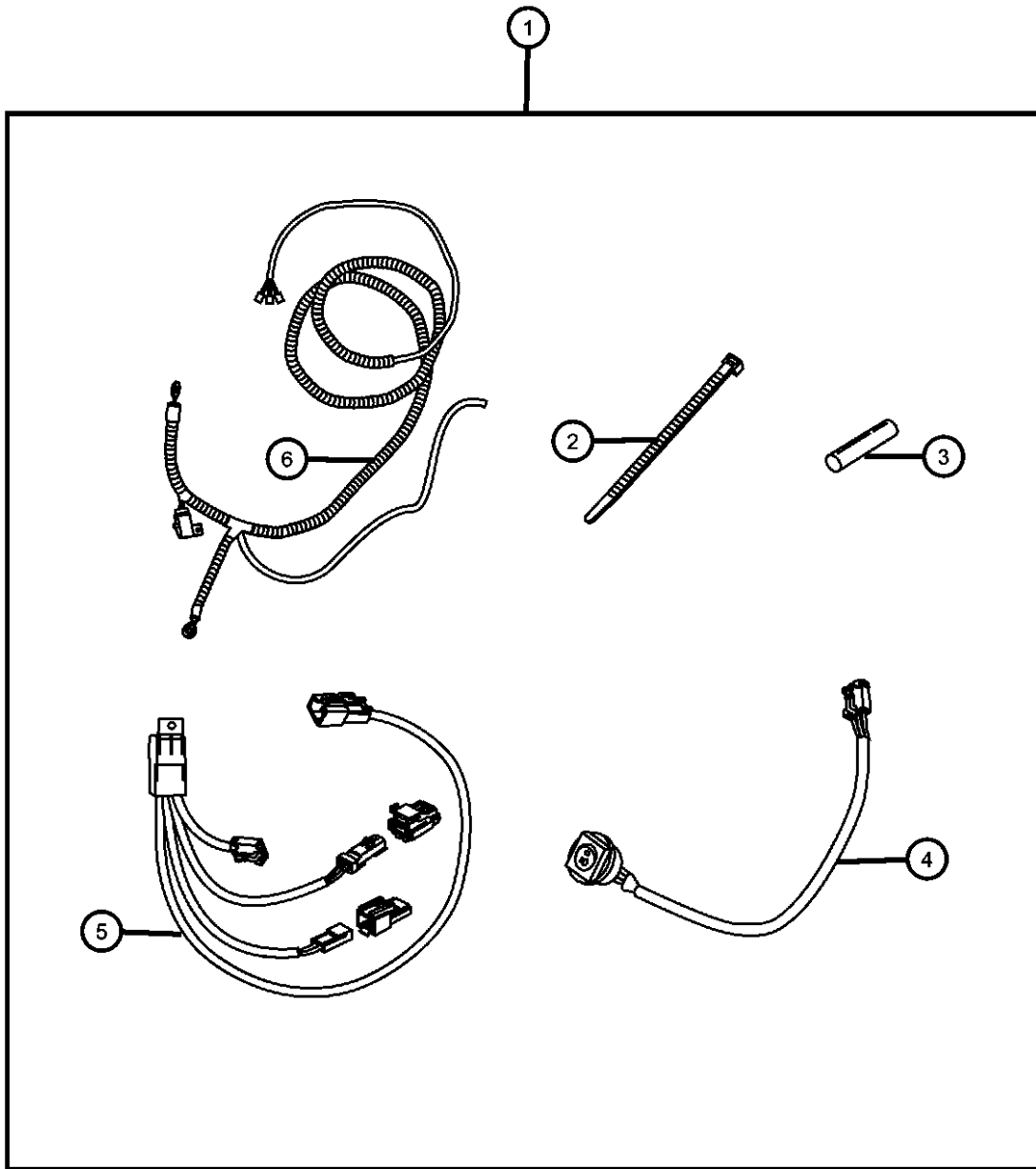
ASPEN (HG)

SERIES	LINE	BODY	ENGINE	TRANSMISSION
P = PREMIUM	1 = Lt. Duty DODGE 2WD 5 = Lt. Duty DODGE 4WD	74 = SPORT UTILITY 4-DR TYPE #4	EVE = Engine - 4.7L V8 DOHC 3 Valve EZB = 5.7L Hemi Multi Displacement Engine	DGQ = 5-Spd Automatic 545RFE Transmission

AR = use ase required - = Non illustrated part

2008 HG

Wiring Kit - Off Road
Figure 1-264



ITEM	PART NUMBER	QTY	LINE	SERIES	BODY	ENGINE	TRANS	TRIM	DESCRIPTION
1	82211452	1			74				WIRING KIT, Off Road
2	06015756	1			74				STRAP, Tie, Quantity of 14
3	04778570	1			74				TUBE, Heat Shrink
4	68005178AC	1			74				SWITCH, Fog Lamp
5	05179783AB	1			74				HARNESS, Wiring
6	05179784AA	1			74				HARNESS, Roof

ASPEN (HG)

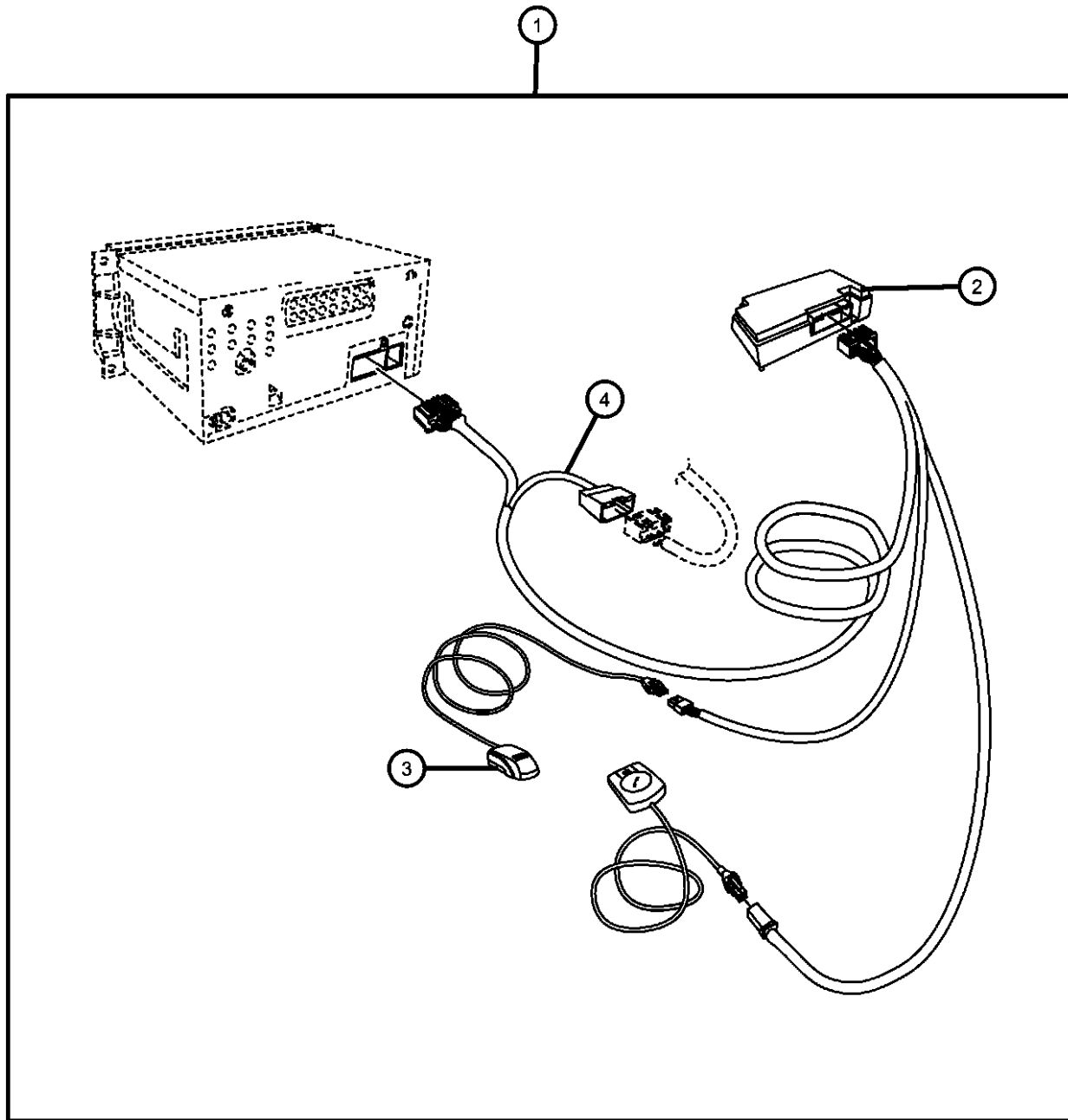
SERIES	LINE	BODY	ENGINE	TRANSMISSION
P = PREMIUM	1 = Lt. Duty DODGE 2WD 5 = Lt. Duty DODGE 4WD	74 = SPORT UTILITY 4-DR TYPE #4	EVE = Engine - 4.7L V8 DOHC 3 Valve EZB = 5.7L Hemi Multi Displacement Engine	DGQ = 5-Spd Automatic 545RFE Transmission

AR = use ase required - = Non illustrated part

2008 HG

**Hands Free Kit-Cellular Phone-Blue Tooth-Low Speed
Figure 1-312**

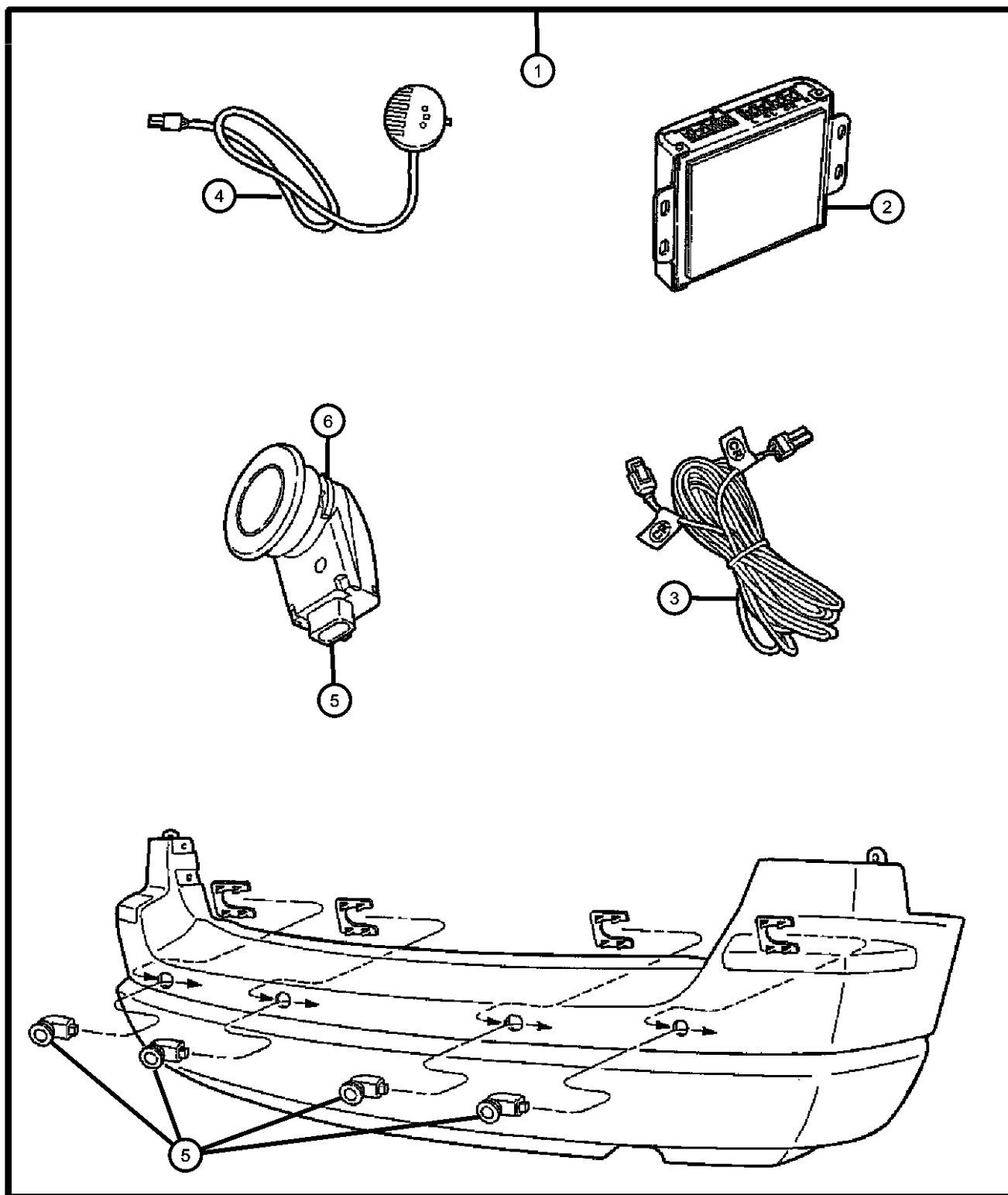
ITEM	PART NUMBER	QTY	LINE	SERIES	BODY	ENGINE	TRANS	TRIM	DESCRIPTION
1	82211005	1							HANDS FREE KIT, Cellular Phone
2	05064448AD	1							MODULE, Telematics
3	68002646AA	1							MICROPHONE, Audio
4	68002648AA	1							HARNESS



ASPEN (HG)				
SERIES	LINE	BODY	ENGINE	TRANSMISSION
P = PREMIUM	1 = Lt. Duty DODGE 2WD 5 = Lt. Duty DODGE 4WD	74 = SPORT UTILITY 4-DR TYPE #4	EVE = Engine - 4.7L V8 DOHC 3 Valve EZB = 5.7L Hemi Multi Displacement Engine	DGQ = 5-Spd Automatic 545RFE Transmission

AR = use ase required - = Non illustrated part

Sensor Kit- Park/Distance
Figure 1-320



ITEM	PART NUMBER	QTY	LINE	SERIES	BODY	ENGINE	TRANS	TRIM	DESCRIPTION
1	82208246AE	1							SENSOR KIT, Park Distance
2	05137541AA	1							MODULE, Parking Assist
3	05137540AA	1							WIRING, Distance Sensor
4	05137539AA	1							DISPLAY, Parking Assist
5	05137536AA	1							SENSOR
6	68034165AA	1	1, 5		74				CLIP, Retainer

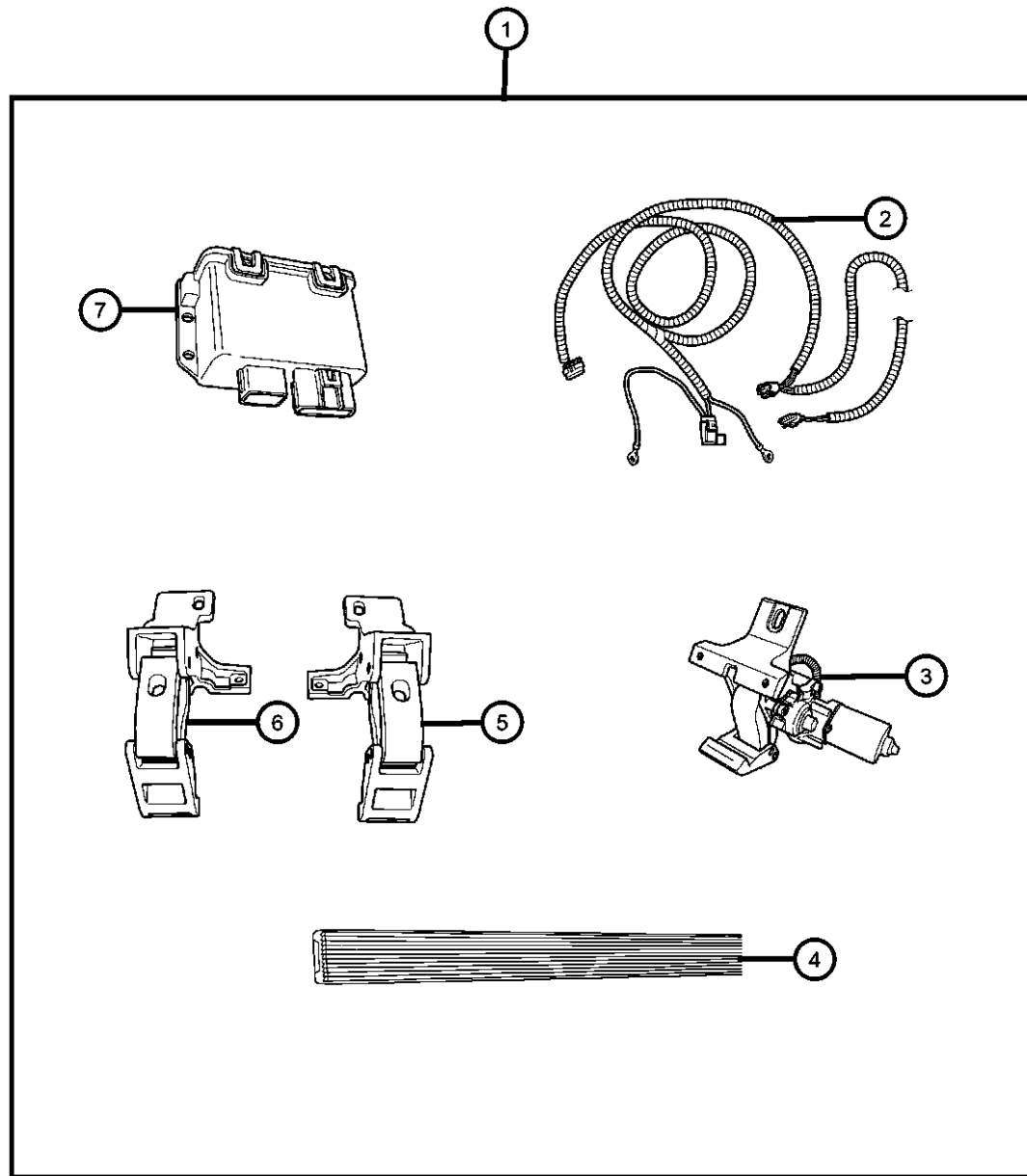
ASPEN (HG)
 SERIES LINE BODY ENGINE TRANSMISSION
 P = PREMIUM 1 = Lt. Duty DODGE 2WD 74 = SPORT UTILITY 4-DR EVE = Engine - 4.7L V8 DOHC 3 Valve DGQ = 5-Spd Automatic 545RFE
 5 = Lt. Duty DODGE 4WD TYPE #4 EZB = 5.7L Hemi Multi Displacement Engine

AR = use ase required - = Non illustrated part

2008 HG

Board Kit - Running-Power
Figure 1-438

ITEM	PART NUMBER	QTY	LINE	SERIES	BODY	ENGINE	TRANS	TRIM	DESCRIPTION
1	82209108AB	1							RUNNING BOARD KIT, Full
2	68022355AA	1							HARNESS, Wiring
3	68022352AA	1							LINK ASSY, LINK ASSY, Drive
4	68022354AA	1							STEP, Side
5	68022353AA	1							LINK ASSY, LINK ASSY, Idler RH
6	68022351AA	1							LINK ASSY, LINK ASSY, Idler LH
7	68022350AA	1							MODULE, Controller



ASPEN (HG)

SERIES	LINE	BODY	ENGINE	TRANSMISSION
P = PREMIUM	1 = Lt. Duty DODGE 2WD 5 = Lt. Duty DODGE 4WD	74 = SPORT UTILITY 4-DR TYPE #4	EVE = Engine - 4.7L V8 DOHC 3 Valve EZB = 5.7L Hemi Multi Displacement Engine	DGQ = 5-Spd Automatic 545RFE Transmission

AR = use ase required - = Non illustrated part

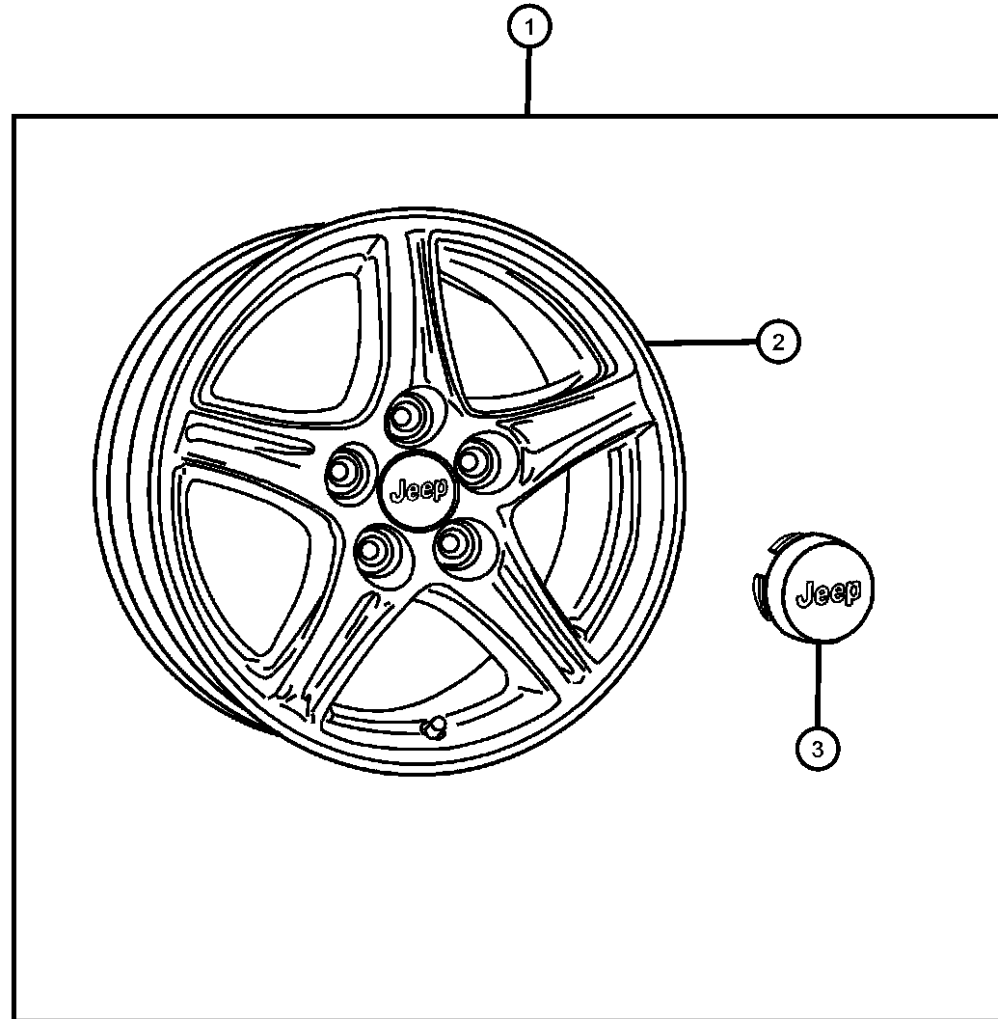
2008 HG

**Wheel Kit
Figure 1-448**

ITEM	PART NUMBER	QTY	LINE	SERIES	BODY	ENGINE	TRANS	TRIM	DESCRIPTION
------	-------------	-----	------	--------	------	--------	-------	------	-------------

Note; Item#1, Contains 1-Wheel and 1-Center Cap This is a generic illustration

1									WHEEL KIT, Cast Aluminum 20x8x35 Chrome
	82210158	1							20x8 Chrome
	82210161	1							20x8 Chrome
2	82210161	1							WHEEL, (NOT SERVICED),
3									CAP, Wheel Center
	04895899AB	1							Chrysler Center
	52013724AA	1							



ASPEN (HG)

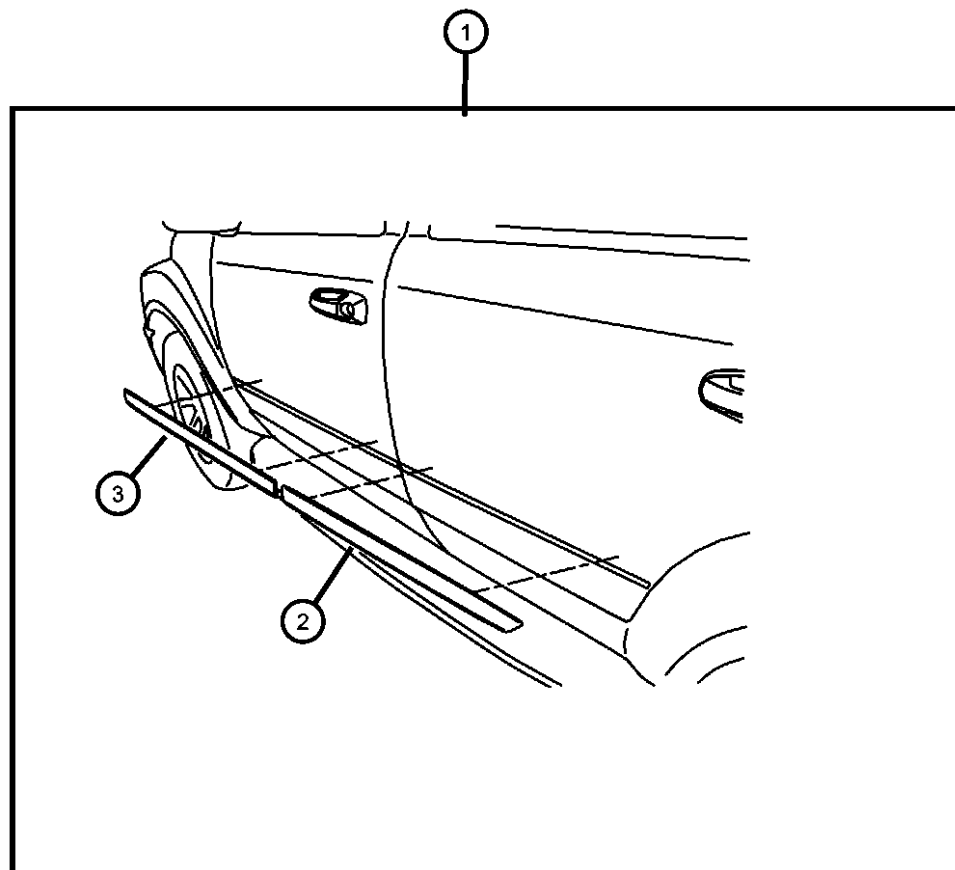
SERIES	LINE	BODY	ENGINE	TRANSMISSION
P = PREMIUM	1 = Lt. Duty DODGE 2WD 5 = Lt. Duty DODGE 4WD	74 = SPORT UTILITY 4-DR TYPE #4	EVE = Engine - 4.7L V8 DOHC 3 Valve EZB = 5.7L Hemi Multi Displacement Engine	DGQ = 5-Spd Automatic 545RFE Transmission

AR = use ase required - = Non illustrated part

2008 HG

**Molding Kit
Figure 1-506**

ITEM	PART NUMBER	QTY	LINE	SERIES	BODY	ENGINE	TRANS	TRIM	DESCRIPTION
1	82210282	1							DECOR KIT, Bodyside
2									MOLDING, Rear Door
	55078068AB	1							Right Hand Rear
	55078069AB	1							Left Hand Rear
3									MOLDING, Front Door
	55078066AB	1							Right Hand Front
	55078067AB	1							Left Hand Front



ASPEN (HG)

SERIES	LINE	BODY	ENGINE	TRANSMISSION
P = PREMIUM	1 = Lt. Duty DODGE 2WD 5 = Lt. Duty DODGE 4WD	74 = SPORT UTILITY 4-DR TYPE #4	EVE = Engine - 4.7L V8 DOHC 3 Valve EZB = 5.7L Hemi Multi Displacement Engine	DGQ = 5-Spd Automatic 545RFE Transmission

AR = use ase required - = Non illustrated part

2008 HG

<< RETURN TO GROUP INDEX

This is the cut pages sample. Download all 392 page(s) at: ManualPlace.com