

VIN PLATE DECODING INFORMATION

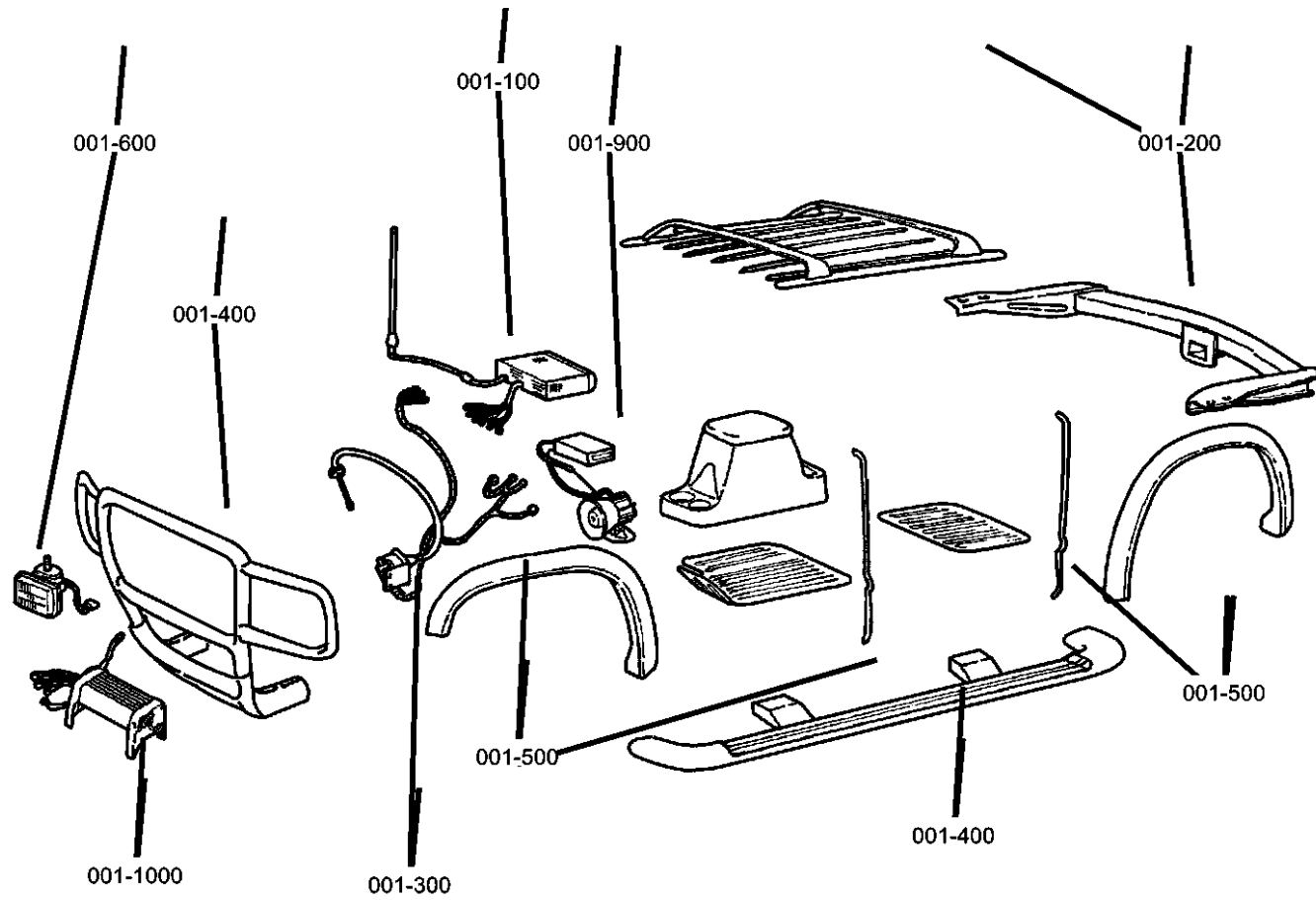
1	2	3	4	5	6	7	8	9	10	11	12 thru 17
Country	Make	Vehicle Type	Other	Line	Series	Body Style	Engine	Check Digit	Model Year	Assy. Plant	Sequence No.

The following table interprets the VIN Plate position shown above.

Position	Interpretation	Codes = Description
1	Country of Origin	2 = Manufactured By DaimlerChrysler Canada Inc.
2	Assembler	A = Chrysler
3	Vehicle Type	7 = Truck
4	GVWR & Pass. Safety	D = 0001-3000# (0 - 1360 KG) GVWR & Hyd. Brakes E = 3001-4000# (1361 - 1814 KG) GVWR & Hyd Brakes F = 4001-5000# (1815 - 2267 KG) GVWR & Hyd. Brakes G = 5001-6000# (2268 - 2721 KG) GVWR & Hyd. Brakes H = 6001-7000# (2722 - 3175 KG) GVWR & Hyd. Brakes J = 7001-8000# (3176 - 3628 KG) GVWR & Hyd. Brakes 7 = 8001-9000# (3629 - 4082 KG) GVWR & Hyd. Brakes L = 9001-10000# (4083 - 4535 KG) GVWR & Hyd. Brakes M = 10001-14000# (4536 - 6350 KG) GVWR & Hyd. Brakes
5	Vehicle Line	X = Touring/Limited (Line 1) (4x2) W = Touring/Limited (Line 5) (4x4)
6	Series	4 = Touring 5 = Limited
7	Body Style	8 = HG
8	Engine	N = 4.7L V8 CYL Magnum Gasoline (EVA) P = 4.7L V8 CYL Flex Fuel (EVD) 2 = 5.7L V8 CYL HEMI Multiple Displacement Gasoline (EZB)
9	Check Digit	0 = Check Digit
10	Model Year	7 = 2007
11	Assembly Plant	F = Newark
12 thru 17	Vehicle Build Sequence	Model Year Assembly Sequence

Group - 1

Component Parts for Mopar Accessories



Group - 1 Component Parts for Mopar Accessories

Illustration Title

Group-Fig. No.

Audio & Electronics

Receiver Kit, Satellite	Fig. 1 - 120
Install Kit Satellite Receiver	Fig. 1 - 125
iPod Adapter	Fig. 1 - 135
Media System - Rear Seat Video	Fig. 1 - 150
Navigation Kit	Fig. 1 - 160
Backup Camera Kit	Fig. 1 - 170

Carriers & Cargo Hauling

Bike Carrier - Hitch Mount Four Bikes	Fig. 1 - 210
Bike Carrier, Hitch Mount Two Bikes	Fig. 1 - 215
Bike Carrier - Roof Mount- Fork	Fig. 1 - 220
Bike Carrier- Roof Mount -Upright	Fig. 1 - 225
Carrier Kit - Canoe	Fig. 1 - 230
Carrier Kit - Watersports	Fig. 1 - 232
Carrier Kit, Snowboard or Ski	Fig. 1 - 235
Luggage Carrier Roof Vinyl	Fig. 1 - 264
Carrier Kit / Luggage	Fig. 1 - 266

Driving Convenience

Remote Start	Fig. 1 - 310
Sensor Package Park/Distance	Fig. 1 - 320
Hands Free Kit, Cellular Phone	Fig. 1 - 330
Hands-Free Kit, Cellular Phone	Fig. 1 - 335

Exterior Protection

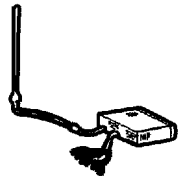
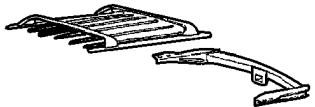

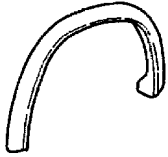
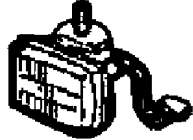

Body Side Molding Assy.	Fig. 1 - 505
------------------------------	--------------

Fog Lights & Electrical

Engine Block Heater	Fig. 1 - 620
---------------------------	--------------

Security

Alarm Kit	Fig. 1 - 910
-----------------	--------------

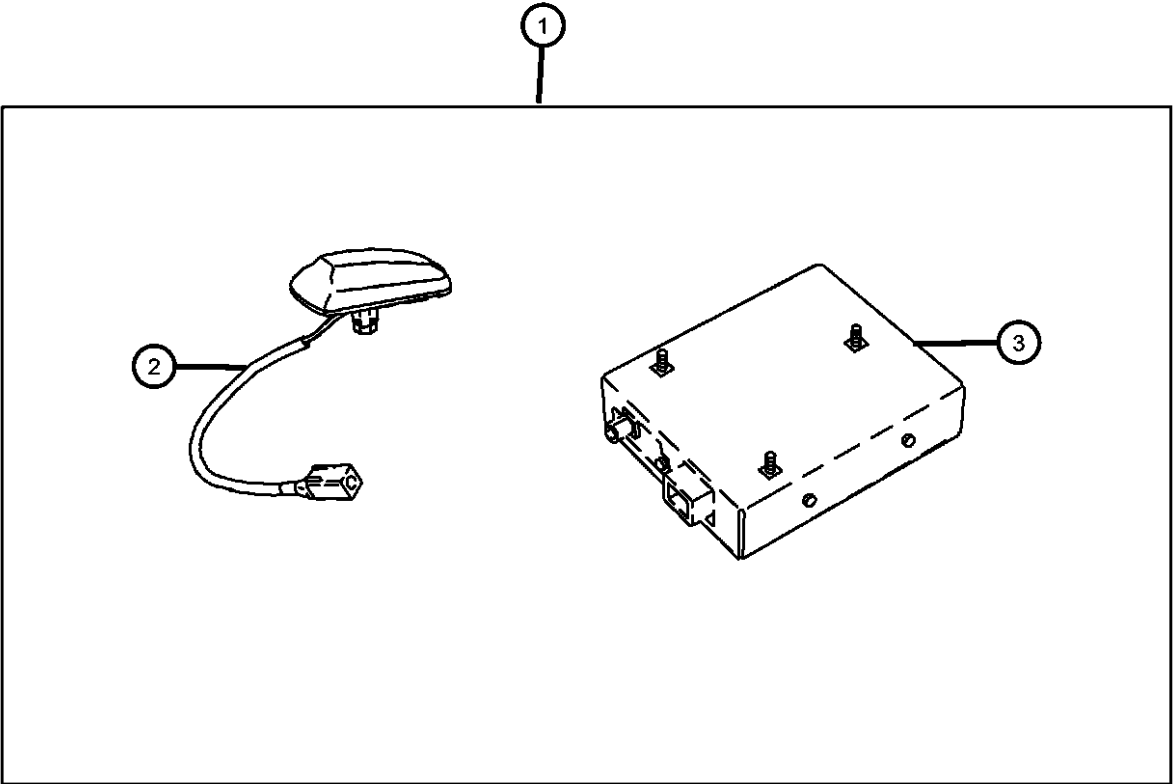
<p>001-100 Audio & Electronics</p> 	<p>001-200 Carriers & Cargo Hauling</p> 	<p>001-300 Driving Convenience</p> 	<p>001-500 Exterior Protection</p> 
<p>001-600 Fog Lights & Electrical</p> 	<p>001-900 Security</p> 		

**Receiver Kit, Satellite
Figure 1-120**

ITEM	PART NUMBER	QTY	LINE	SERIES	BODY	ENGINE	TRANS	TRIM	DESCRIPTION
------	-------------	-----	------	--------	------	--------	-------	------	-------------

Note: For Warranty Repair On Item 3, Order Using Z Prefix

1	82210430	1							RECEIVER, Satellite
2	05064214AB	1	1, 5		74				ANTENNA, Satellite
3	68015147AD	1							RECEIVER, Satellite

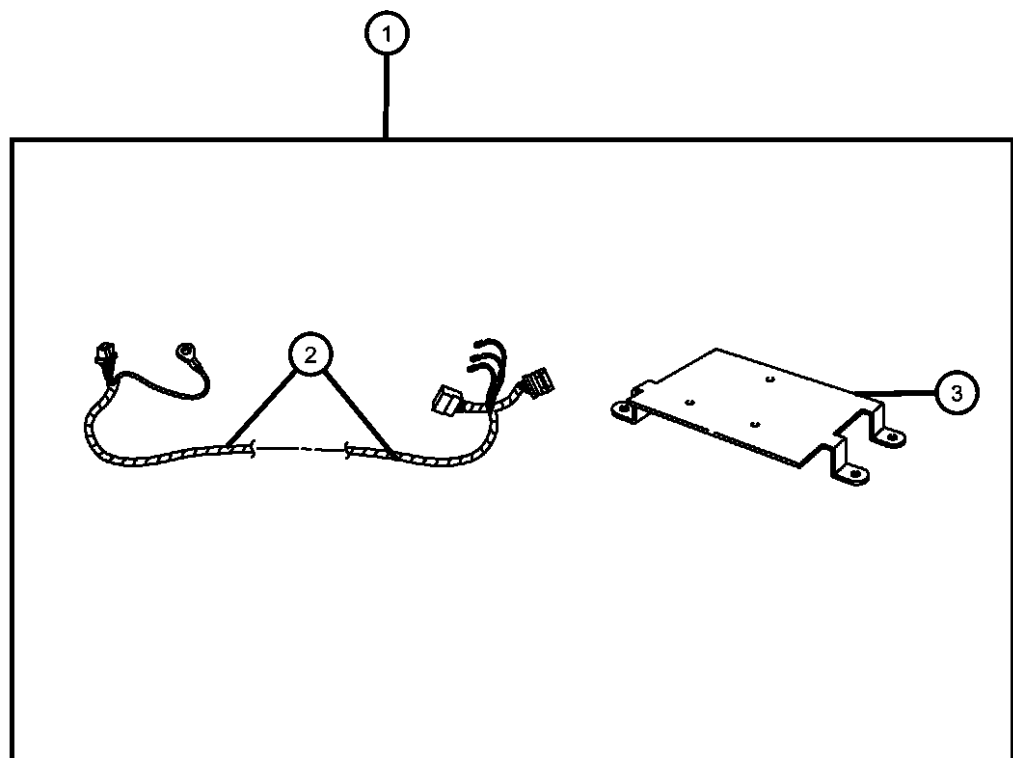


ASPEN (HG)				
SERIES	LINE	BODY	ENGINE	TRANSMISSION
P = PREMIUM	1 = Lt. Duty DODGE 2WD 5 = Lt. Duty DODGE 4WD	74 = SPORT UTILITY 4-DR TYPE #4	EVA = 4.7L V8 MPI Engine EVD = 4.7L V8 FFV Engine EZB = 5.7L Hemi Multi Displacement Engine	DGQ = 5-Spd Automatic 545RFE Transmission

AR = use ase required - = Non illustrated part

**Install Kit Satellite Receiver
Figure 1-125**

ITEM	PART NUMBER	QTY	LINE	SERIES	BODY	ENGINE	TRANS	TRIM	DESCRIPTION
1	82210431	1							INSTALL KIT, Satelite Receiver
2	05159035AA	1							HARNESS, Overlay
3	56043299AA	1							BRACKET, Satellite Receiver



ASPEN (HG)

SERIES

P = PREMIUM

LINE

1 = Lt. Duty DODGE 2WD
5 = Lt. Duty DODGE 4WD

BODY

74 = SPORT UTILITY 4-DR
TYPE #4

ENGINE

EVA = 4.7L V8 MPI Engine
EVD = 4.7L V8 FFV Engine
EZB = 5.7L Hemi Multi
Displacement Engine

TRANSMISSION

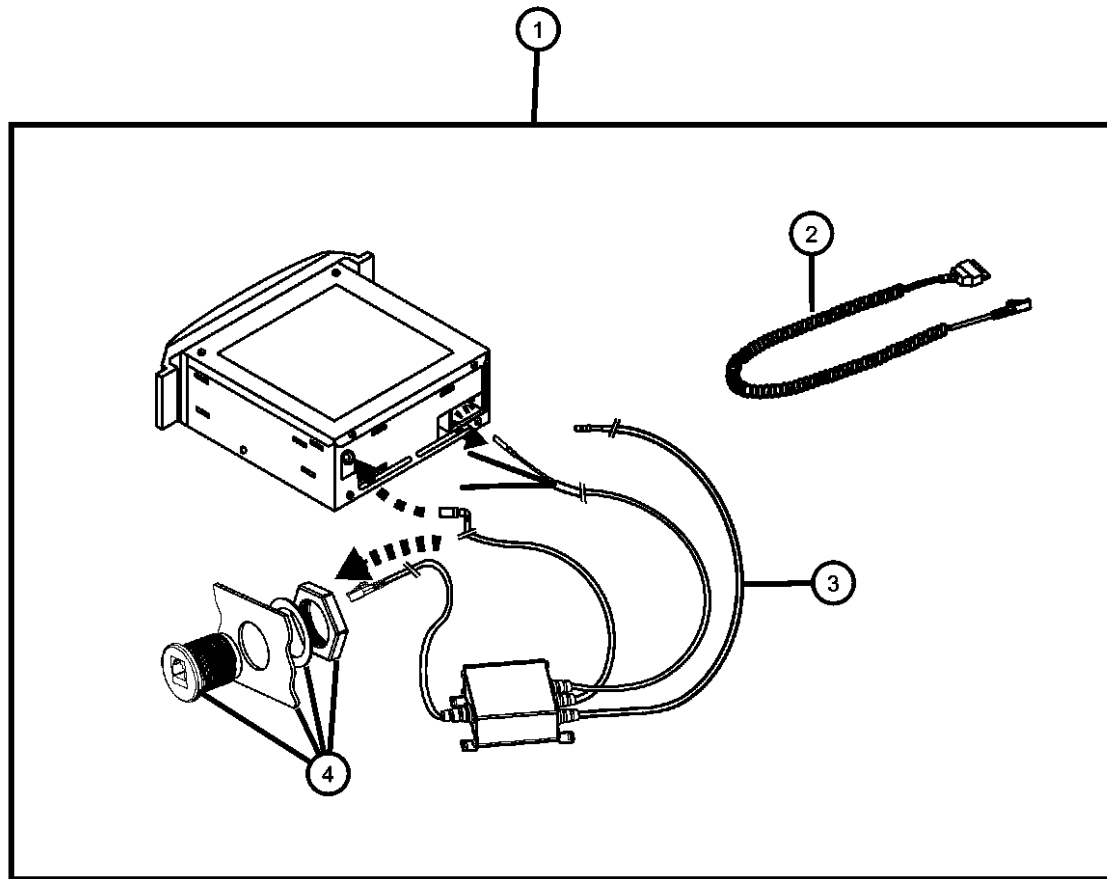
DGQ = 5-Spd Automatic 545RFE
Transmission

AR = use ase required - = Non illustrated part

2007 HG

IPod Adapter
Figure 1-135

ITEM	PART NUMBER	QTY	LINE	SERIES	BODY	ENGINE	TRANS	TRIM	DESCRIPTION
1	82210181	1							MODULE KIT, IPOD Interface
2	68001396AA	1							HARNESS, Jumper
3	68001396AA	1							MODULE, (NOT SERVICED)
4	68024675AA	1							HARDWARE



ASPEN (HG)

SERIES

P = PREMIUM

LINE

1 = Lt. Duty DODGE 2WD
5 = Lt. Duty DODGE 4WD

BODY

74 = SPORT UTILITY 4-DR
TYPE #4

ENGINE

EVA = 4.7L V8 MPI Engine
EVD = 4.7L V8 FFV Engine
EZB = 5.7L Hemi Multi
Displacement Engine

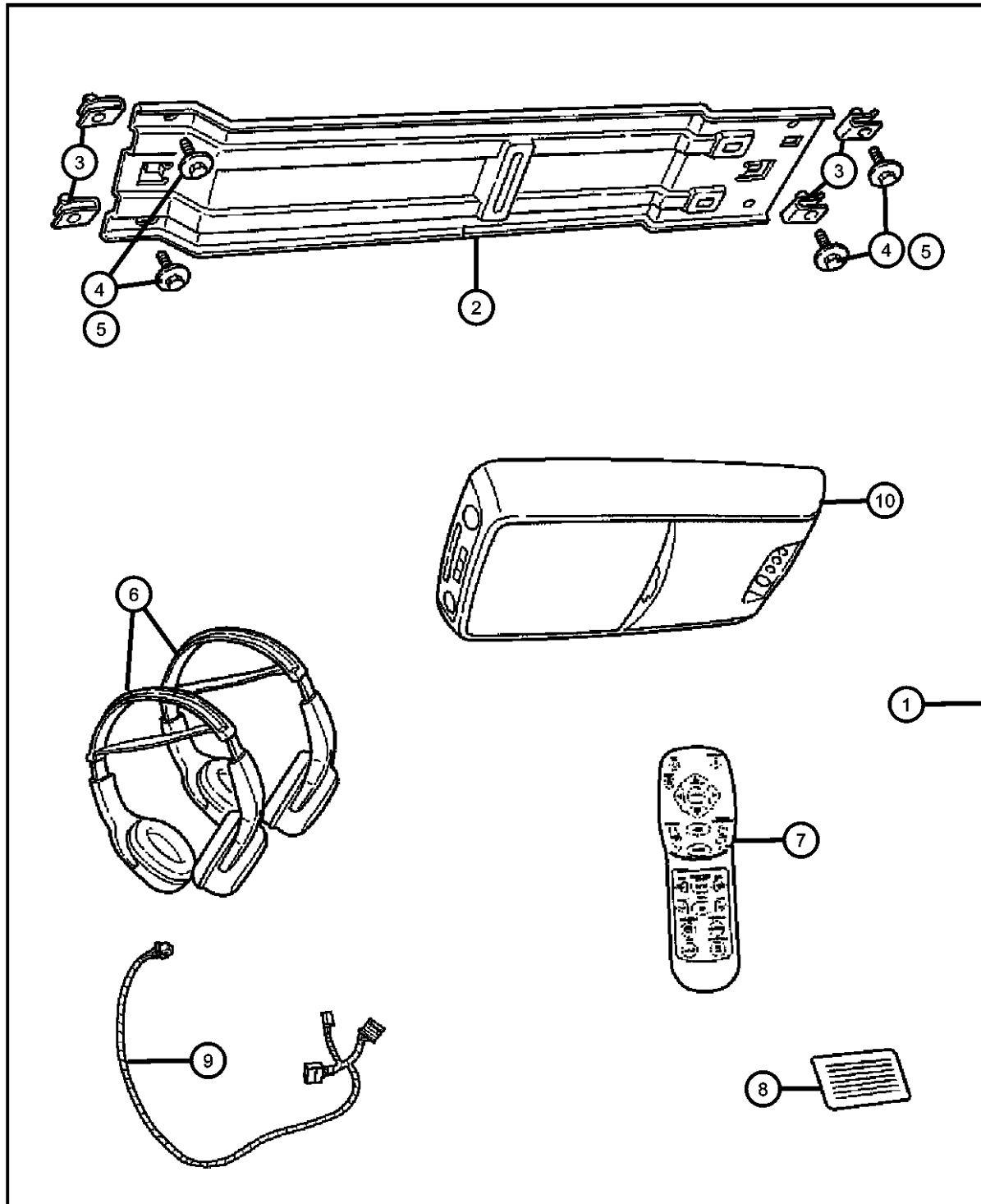
TRANSMISSION

DGQ = 5-Spd Automatic 545RFE
Transmission

AR = use ase required - = Non illustrated part

2007 HG

Media System - Rear Seat Video
Figure 1-150



ITEM	PART NUMBER	QTY	LINE	SERIES	BODY	ENGINE	TRANS	TRIM	DESCRIPTION
1	82210051AB	1							MEDIA SYSTEM, Monitor with DVD
2	55364088AA	1							BRACKET Without Power Moonroof
	55364115AA	1							With Power Moonroof
3	06101308	1							NUT, U, M6x1.00
4	06503384	4	1, 5		74				SCREW AND WASHER, Hex Head, M5x.8x12
5	06101651	1							SCREW, Hex Head, M6x1x16
6	05064037AA	1							HEADPHONES, Wireless
7	05064041AA	1							REMOTE, Wireless Infrared
8	05020533AA	1							LABEL, Mercury Warning
9	05135247AA	1							HARNASS, Wiring
10	05064049AC	1							MEDIA SYSTEM, Monitor with DVD

ASPEN (HG)

SERIES

P = PREMIUM

LINE

1 = Lt. Duty DODGE 2WD
5 = Lt. Duty DODGE 4WD

BODY

74 = SPORT UTILITY 4-DR
TYPE #4

ENGINE

EVA = 4.7L V8 MPI Engine
EVD = 4.7L V8 FFV Engine
EZB = 5.7L Hemi Multi
Displacement Engine

TRANSMISSION

DGQ = 5-Spd Automatic 545RFE
Transmission

AR = use ase required - = Non illustrated part

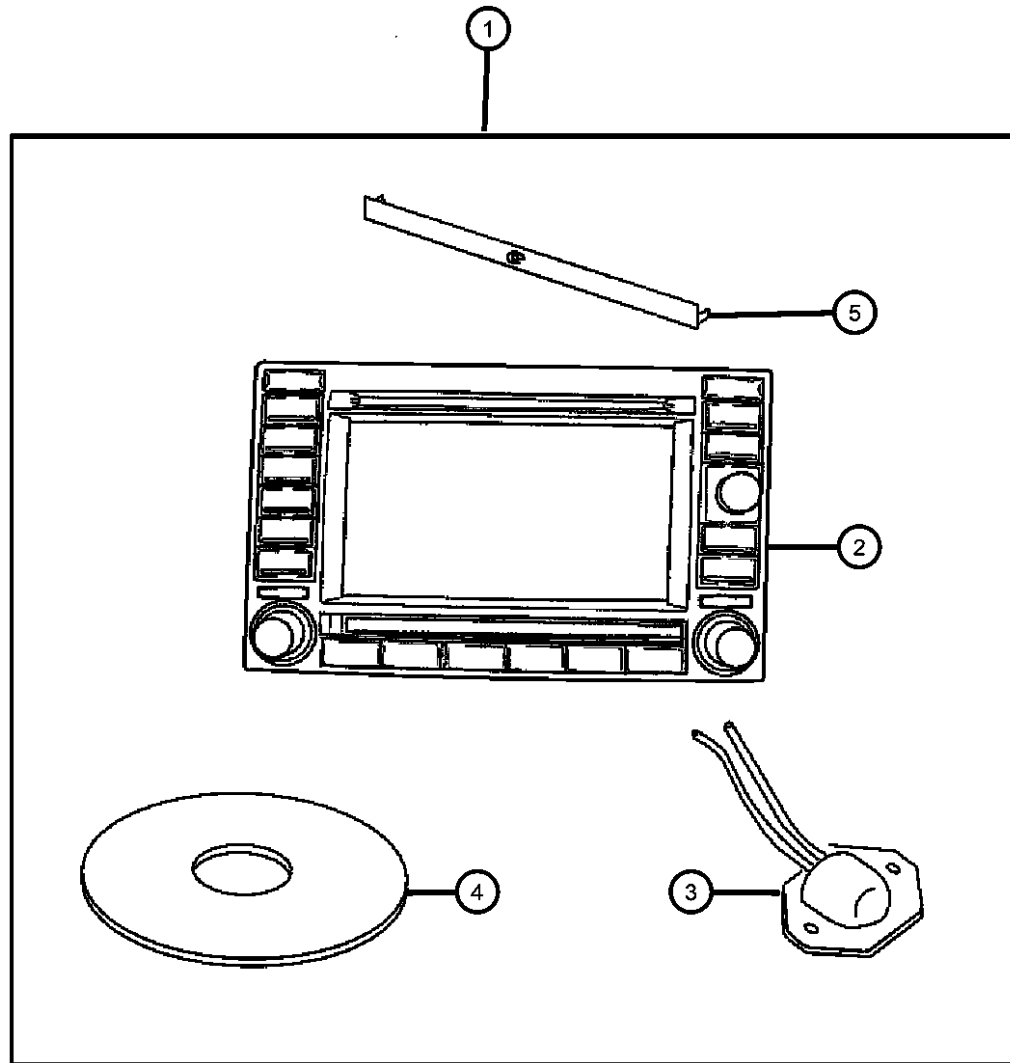
2007 HG

Navigation Kit
Figure 1-160

ITEM	PART NUMBER	QTY	LINE	SERIES	BODY	ENGINE	TRANS	TRIM	DESCRIPTION
------	-------------	-----	------	--------	------	--------	-------	------	-------------

Note: For Warranty Repair on Item 2, Order Using Z Prefix

1	82208653AH	1							RADIO, AM/FM CD W/NAV/DVD & CD-CTRL
2	05064184AD	1	1, 5		74				RADIO, AM/FM CD W/NAV/DVD & CD-CTRL
3	56038630AA	1							ANTENNA, GPS
4	05064033AE	1							DVD, Geographic Database
5	05161571AA	1							COVER, Radio



ASPEN (HG)

SERIES

P = PREMIUM

LINE

1 = Lt. Duty DODGE 2WD
5 = Lt. Duty DODGE 4WD

BODY

74 = SPORT UTILITY 4-DR
TYPE #4

ENGINE

EVA = 4.7L V8 MPI Engine
EVD = 4.7L V8 FFV Engine
EZB = 5.7L Hemi Multi
Displacement Engine

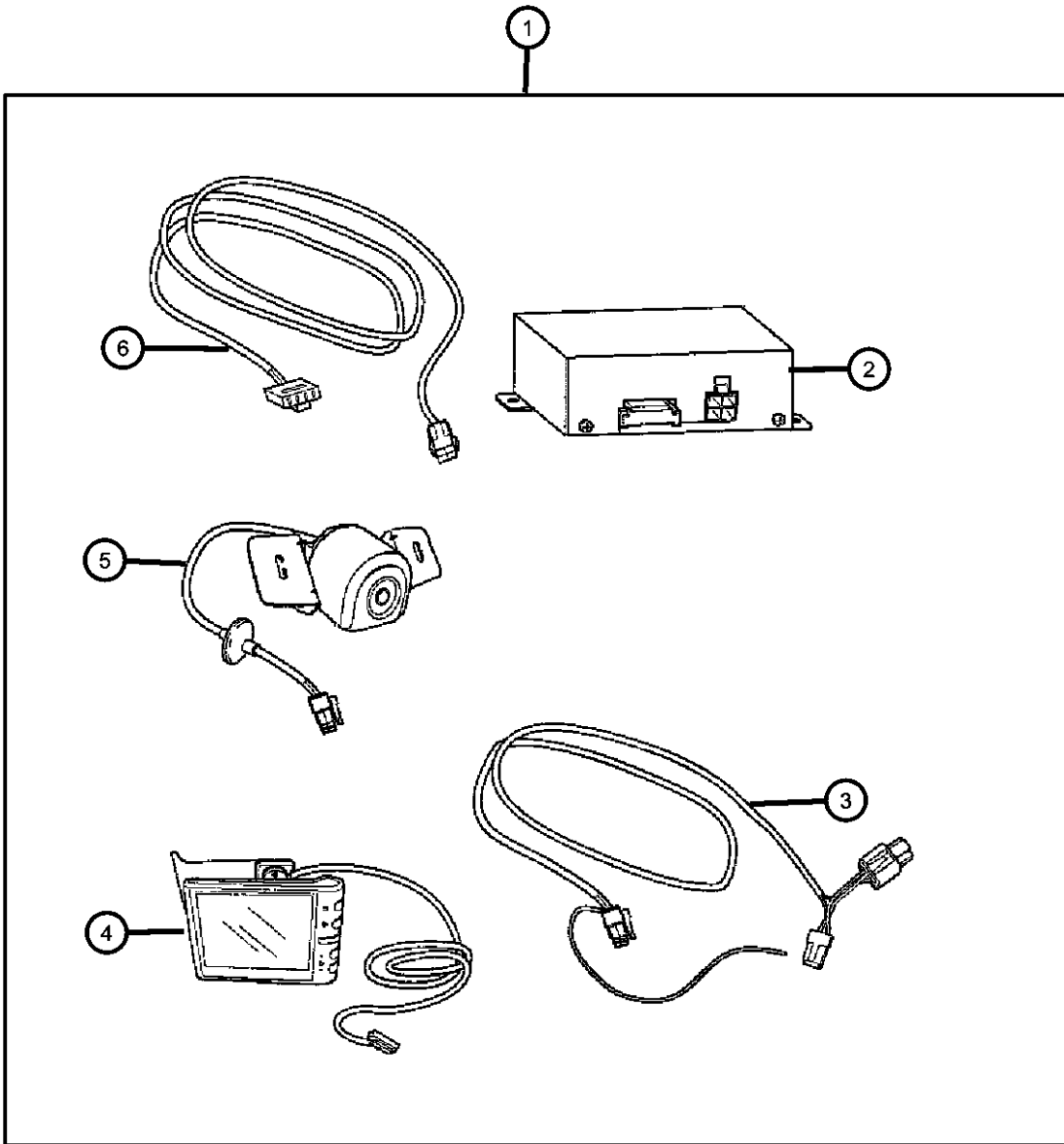
TRANSMISSION

DGQ = 5-Spd Automatic 545RFE
Transmission

AR = use ase required - = Non illustrated part

2007 HG

**Backup Camera Kit
Figure 1-170**



ITEM	PART NUMBER	QTY	LINE	SERIES	BODY	ENGINE	TRANS	TRIM	DESCRIPTION
1	82210146AB	1							CAMERA KIT, Back Up
2	05191903AA	1							CONTROL MODULE, Receiver
3	05191905AA	1							HARNESS, Wiring
4	05191965AA	1							MONITOR, Back Up Camera
5	05191906AA	1							CAMERA
6	05191904AA	1							HARNESS, Wiring

ASPEN (HG)

SERIES

P = PREMIUM

LINE

1 = Lt. Duty DODGE 2WD
5 = Lt. Duty DODGE 4WD

BODY

74 = SPORT UTILITY 4-DR
TYPE #4

ENGINE

EVA = 4.7L V8 MPI Engine
EVD = 4.7L V8 FFV Engine
EZB = 5.7L Hemi Multi
Displacement Engine

TRANSMISSION

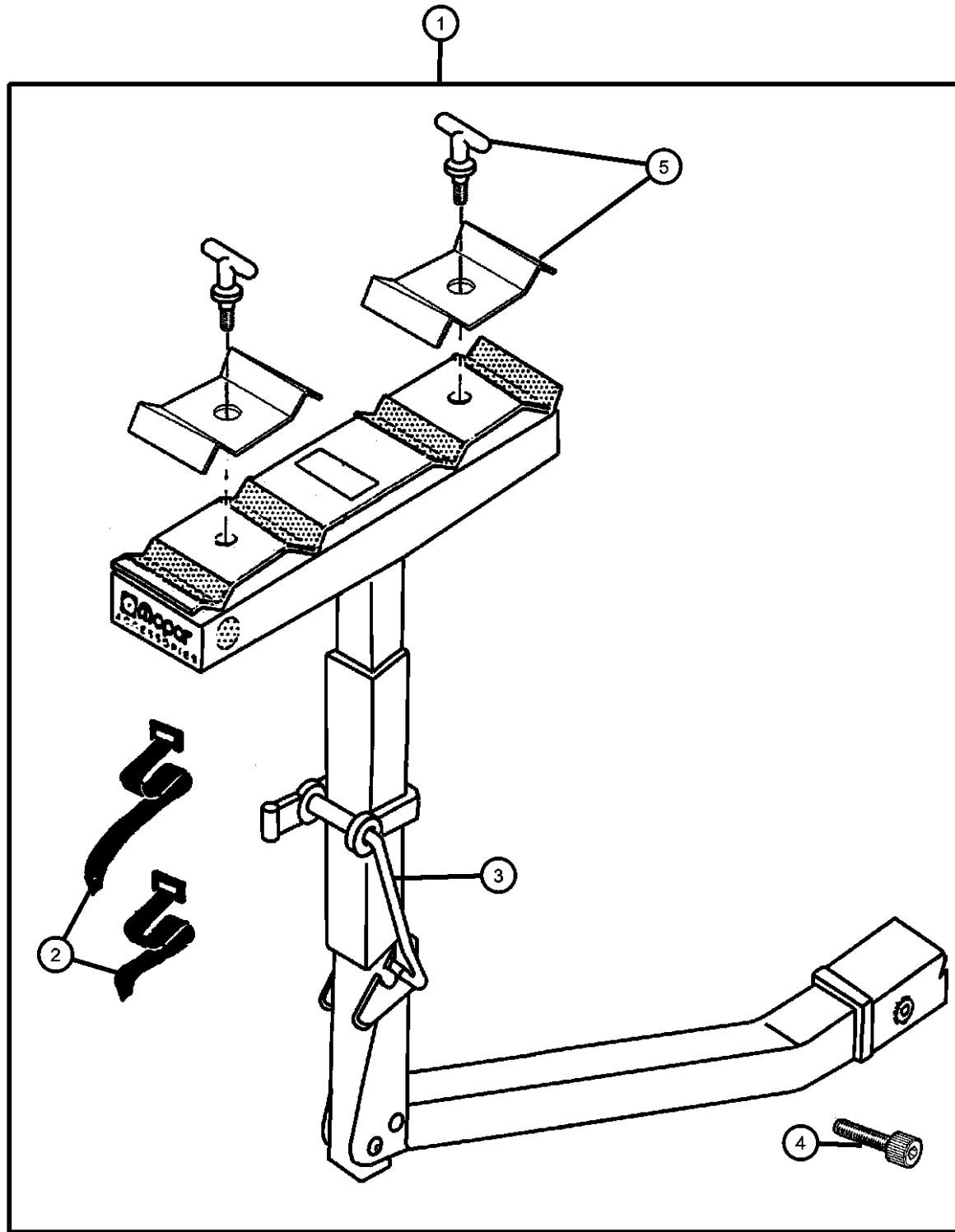
DGQ = 5-Spd Automatic 545RFE
Transmission

AR = use ase required - = Non illustrated part

2007 HG

Bike Carrier - Hitch Mount Four Bikes
Figure 1-210

ITEM	PART NUMBER	QTY	LINE	SERIES	BODY	ENGINE	TRANS	TRIM	DESCRIPTION
------	-------------	-----	------	--------	------	--------	-------	------	-------------



Note; Requires 2 Inch Hitch Receiver

1	82204328	1							CARRIER KIT, Bike
2	04762880	1							STRAP KIT, Velcro
3	05016775AA	1							STRAP KIT, Bike Carrier Latch
4	05016776AA	1							BOLT KIT, Security
5	05018825AA	1							HARDWARE KIT, Bike Carrier

ASPEN (HG)

SERIES	LINE	BODY	ENGINE	TRANSMISSION
P = PREMIUM	1 = Lt. Duty DODGE 2WD 5 = Lt. Duty DODGE 4WD	74 = SPORT UTILITY 4-DR TYPE #4	EVA = 4.7L V8 MPI Engine EVD = 4.7L V8 FFV Engine EZB = 5.7L Hemi Multi Displacement Engine	DGQ = 5-Spd Automatic 545RFE Transmission

AR = use ase required - = Non illustrated part

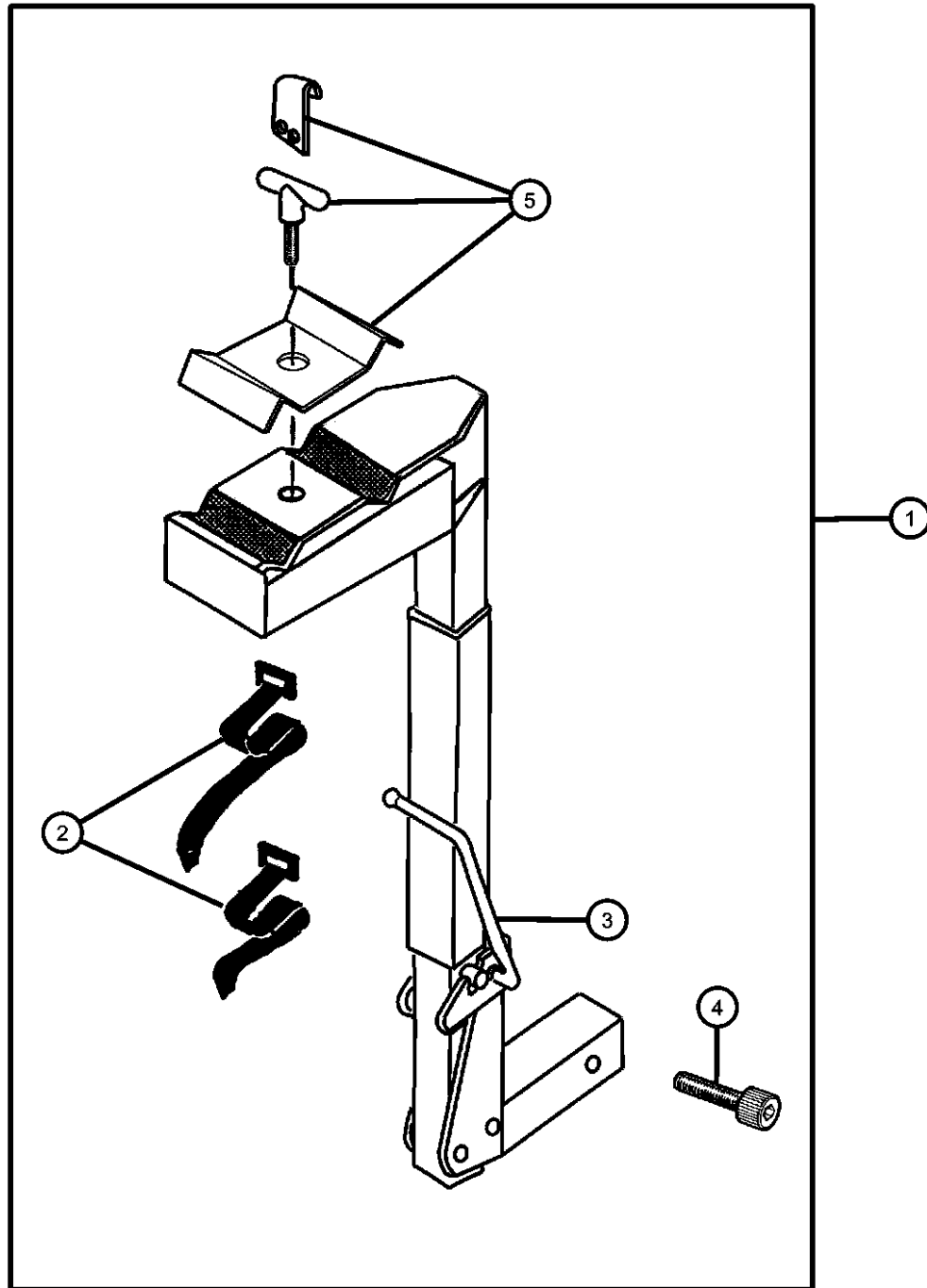
2007 HG

Bike Carrier, Hitch Mount Two Bikes
Figure 1-215

ITEM	PART NUMBER	QTY	LINE	SERIES	BODY	ENGINE	TRANS	TRIM	DESCRIPTION
------	-------------	-----	------	--------	------	--------	-------	------	-------------

Note; Requires 2 Inch Hitch Receiver

1	82204453	1							CARRIER KIT, Bike
2	04762880	1							STRAP KIT, Velcro
3	05016775AA	1							STRAP KIT, Bike Carrier Latch
4	05016776AA	1							BOLT KIT, Security
5	05018825AA	1							HARDWARE KIT, Bike Carrier



ASPEN (HG)

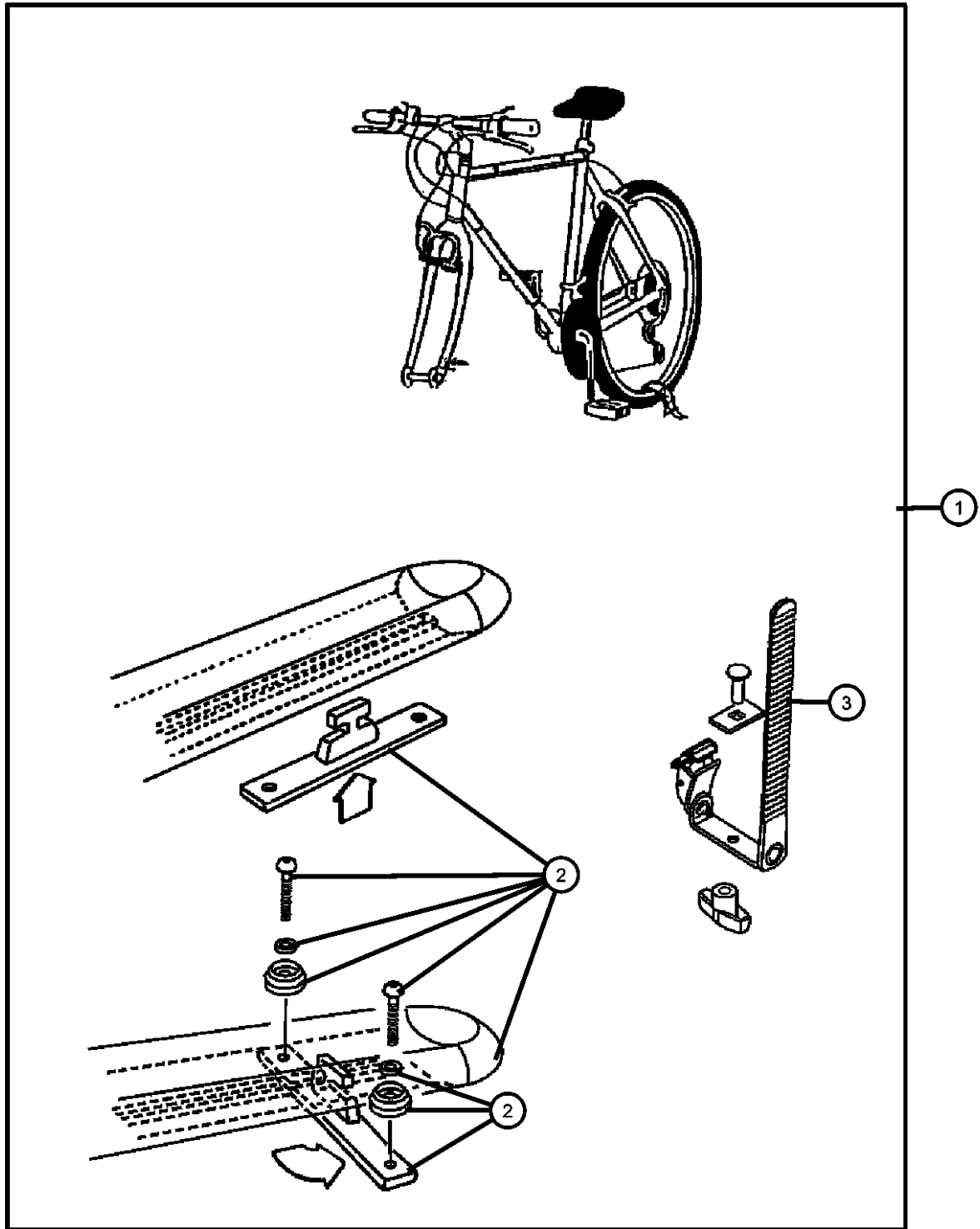
SERIES	LINE	BODY	ENGINE	TRANSMISSION
P = PREMIUM	1 = Lt. Duty DODGE 2WD 5 = Lt. Duty DODGE 4WD	74 = SPORT UTILITY 4-DR TYPE #4	EVA = 4.7L V8 MPI Engine EVD = 4.7L V8 FFV Engine EZB = 5.7L Hemi Multi Displacement Engine	DGQ = 5-Spd Automatic 545RFE Transmission

AR = use ase required - = Non illustrated part

2007 HG

Bike Carrier - Roof Mount- Fork
Figure 1-220

ITEM	PART NUMBER	QTY	LINE	SERIES	BODY	ENGINE	TRANS	TRIM	DESCRIPTION
1	82207943	1							CARRIER KIT, Bike, Fork - Mount
2	05093779AA	1							HARDWARE KIT, Accessory
3	05114532AA	1							STRAP, Cargo Tie Down



ASPEN (HG)

SERIES

P = PREMIUM

LINE

1 = Lt. Duty DODGE 2WD
 5 = Lt. Duty DODGE 4WD

BODY

74 = SPORT UTILITY 4-DR
 TYPE #4

ENGINE

EVA = 4.7L V8 MPI Engine
 EVD = 4.7L V8 FFV Engine
 EZB = 5.7L Hemi Multi
 Displacement Engine

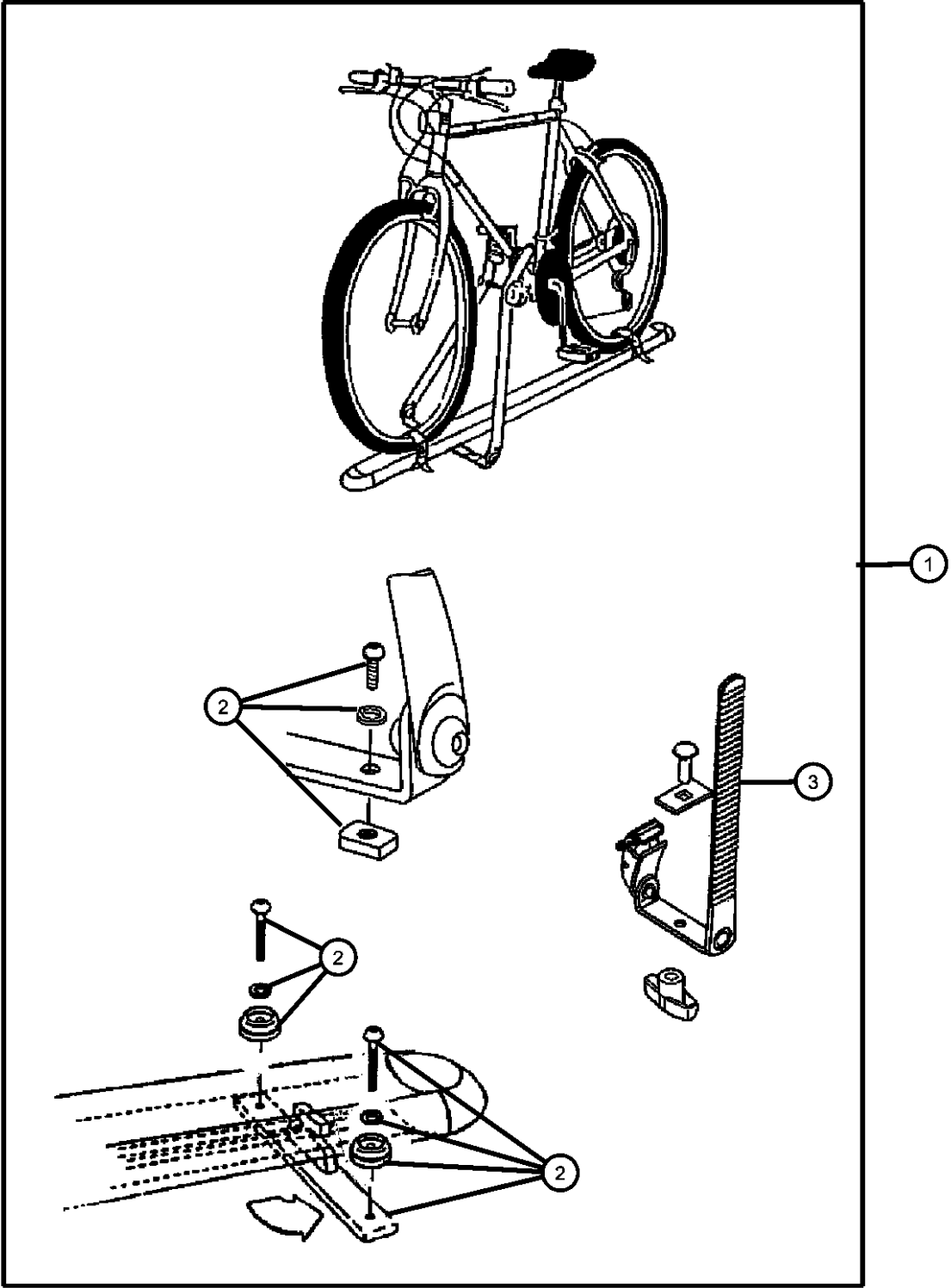
TRANSMISSION

DGQ = 5-Spd Automatic 545RFE
 Transmission

AR = use ase required - = Non illustrated part

Bike Carrier- Roof Mount -Upright
Figure 1-225

ITEM	PART NUMBER	QTY	LINE	SERIES	BODY	ENGINE	TRANS	TRIM	DESCRIPTION
1	82207942	1							CARRIER KIT, Bike, Upright - Mount
2	05093779AA	1							HARDWARE KIT, Accessory
3	05114532AA	1							STRAP, Cargo Tie Down



ASPEN (HG)				
SERIES	LINE	BODY	ENGINE	TRANSMISSION
P = PREMIUM	1 = Lt. Duty DODGE 2WD 5 = Lt. Duty DODGE 4WD	74 = SPORT UTILITY 4-DR TYPE #4	EVA = 4.7L V8 MPI Engine EVD = 4.7L V8 FFV Engine EZB = 5.7L Hemi Multi Displacement Engine	DGQ = 5-Spd Automatic 545RFE Transmission

AR = use ase required - = Non illustrated part

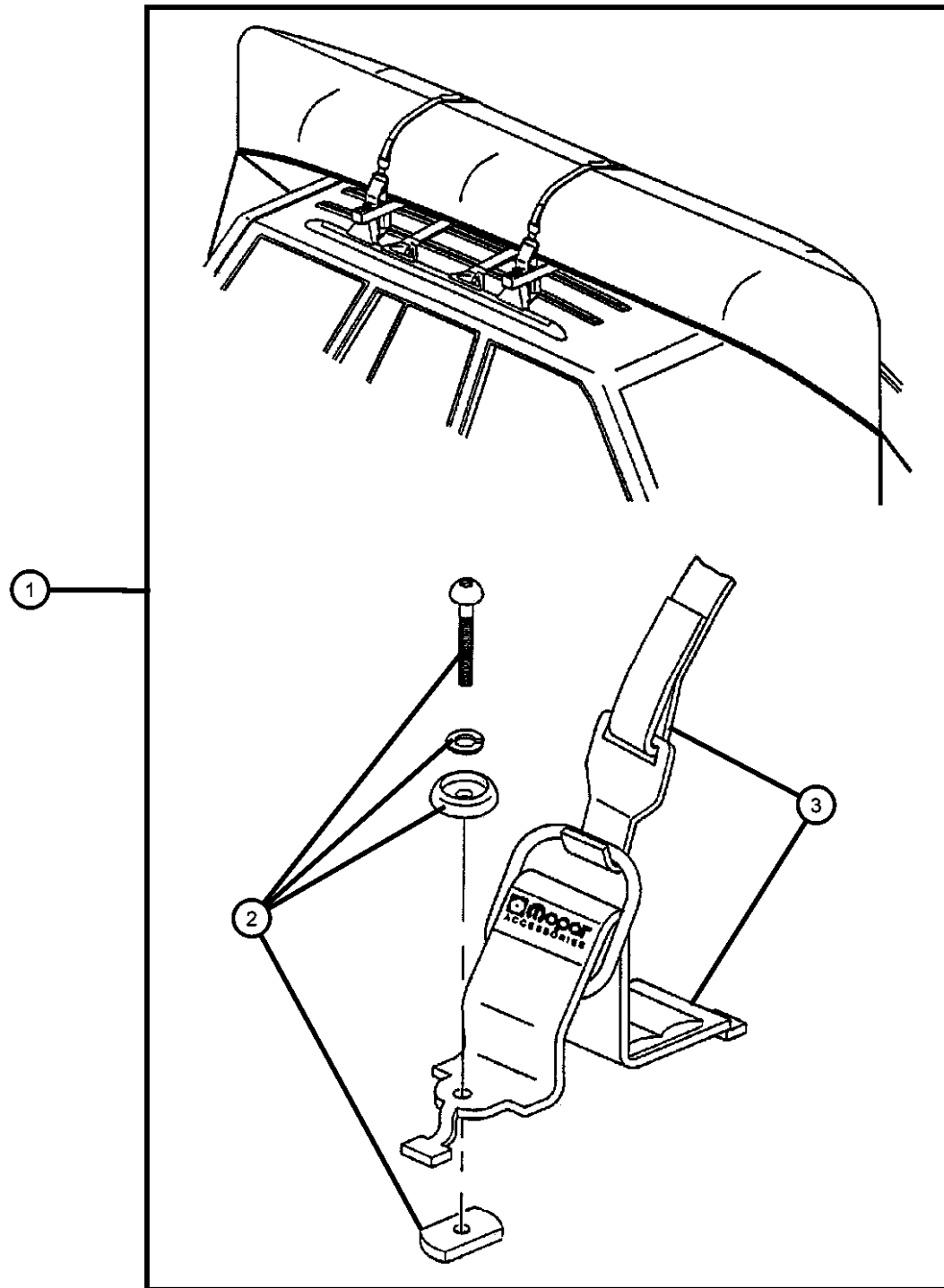
Carrier Kit - Canoe
Figure 1-230

ITEM	PART NUMBER	QTY	LINE	SERIES	BODY	ENGINE	TRANS	TRIM	DESCRIPTION
------	-------------	-----	------	--------	------	--------	-------	------	-------------

Note; Requires Sport Utility Bar

1	82204700	1							CARRIER KIT, Canoe
2	05016389AA	1							HARDWARE KIT, Accessory
3	05016511AA	1							STRAP, Cargo Tie Down

CARRIER KIT, Canoe
HARDWARE KIT, Accessory
STRAP, Cargo Tie Down



ASPEN (HG)

SERIES

P = PREMIUM

LINE

1 = Lt. Duty DODGE 2WD
5 = Lt. Duty DODGE 4WD

BODY

74 = SPORT UTILITY 4-DR
TYPE #4

ENGINE

EVA = 4.7L V8 MPI Engine
EVD = 4.7L V8 FFV Engine
EZB = 5.7L Hemi Multi
Displacement Engine

TRANSMISSION

DGQ = 5-Spd Automatic 545RFE
Transmission

AR = use ase required - = Non illustrated part

2007 HG

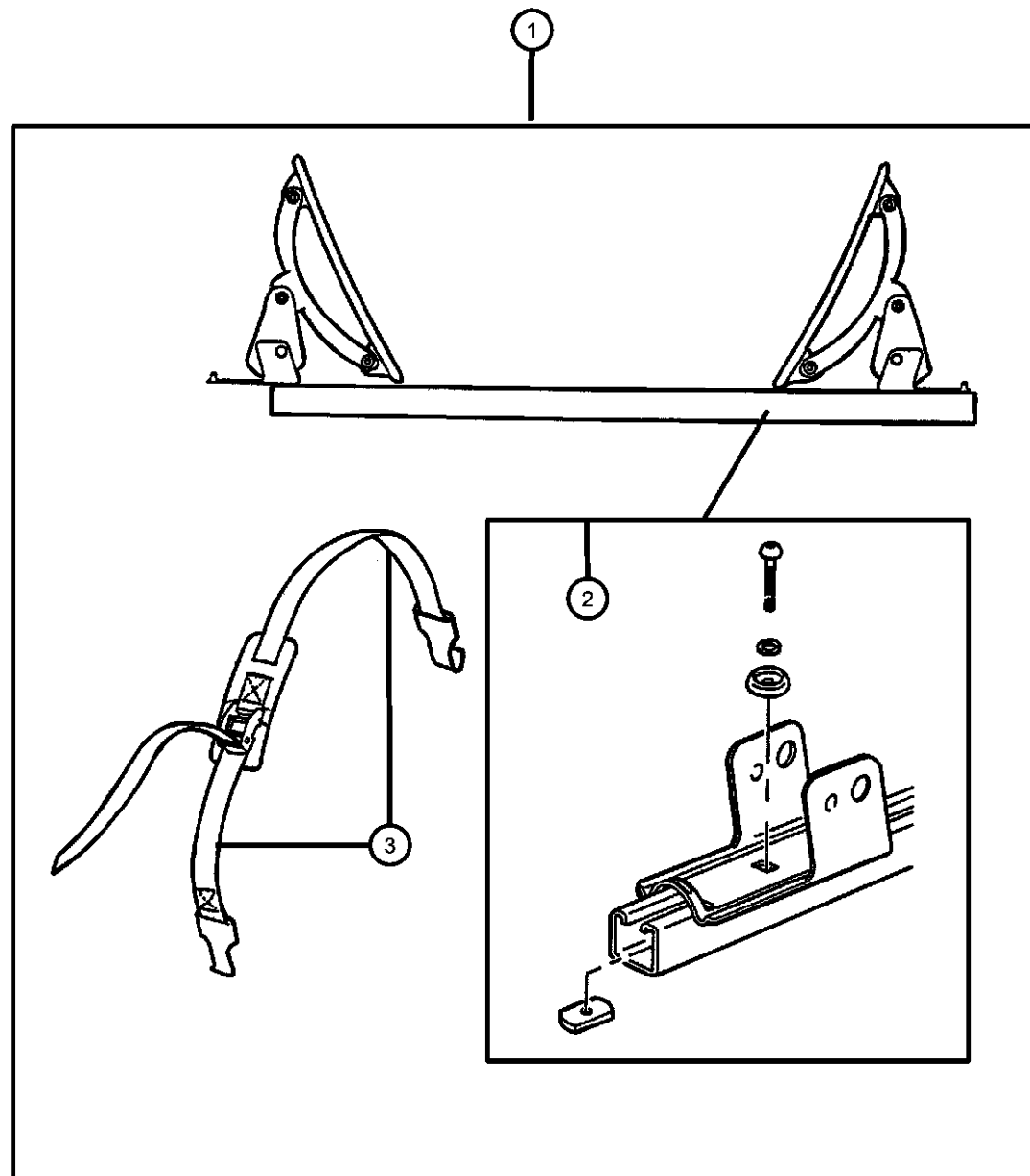
Carrier Kit - Watersports
Figure 1-232

ITEM	PART NUMBER	QTY	LINE	SERIES	BODY	ENGINE	TRANS	TRIM	DESCRIPTION
------	-------------	-----	------	--------	------	--------	-------	------	-------------

Note; Requires T-Slot Crossbar

1	82205416	1							CARRIER KIT, Water Sports, Kayak, Surfboard, Sail Board
2	05016389AA	1							HARDWARE KIT, Accessory
3	05016511AA	1							STRAP, Cargo Tie Down

CARRIER KIT, Water Sports, Kayak, Surfboard, Sail Board
HARDWARE KIT, Accessory
STRAP, Cargo Tie Down



ASPEN (HG)

SERIES

P = PREMIUM

LINE

1 = Lt. Duty DODGE 2WD
5 = Lt. Duty DODGE 4WD

BODY

74 = SPORT UTILITY 4-DR
TYPE #4

ENGINE

EVA = 4.7L V8 MPI Engine
EVD = 4.7L V8 FFV Engine
EZB = 5.7L Hemi Multi
Displacement Engine

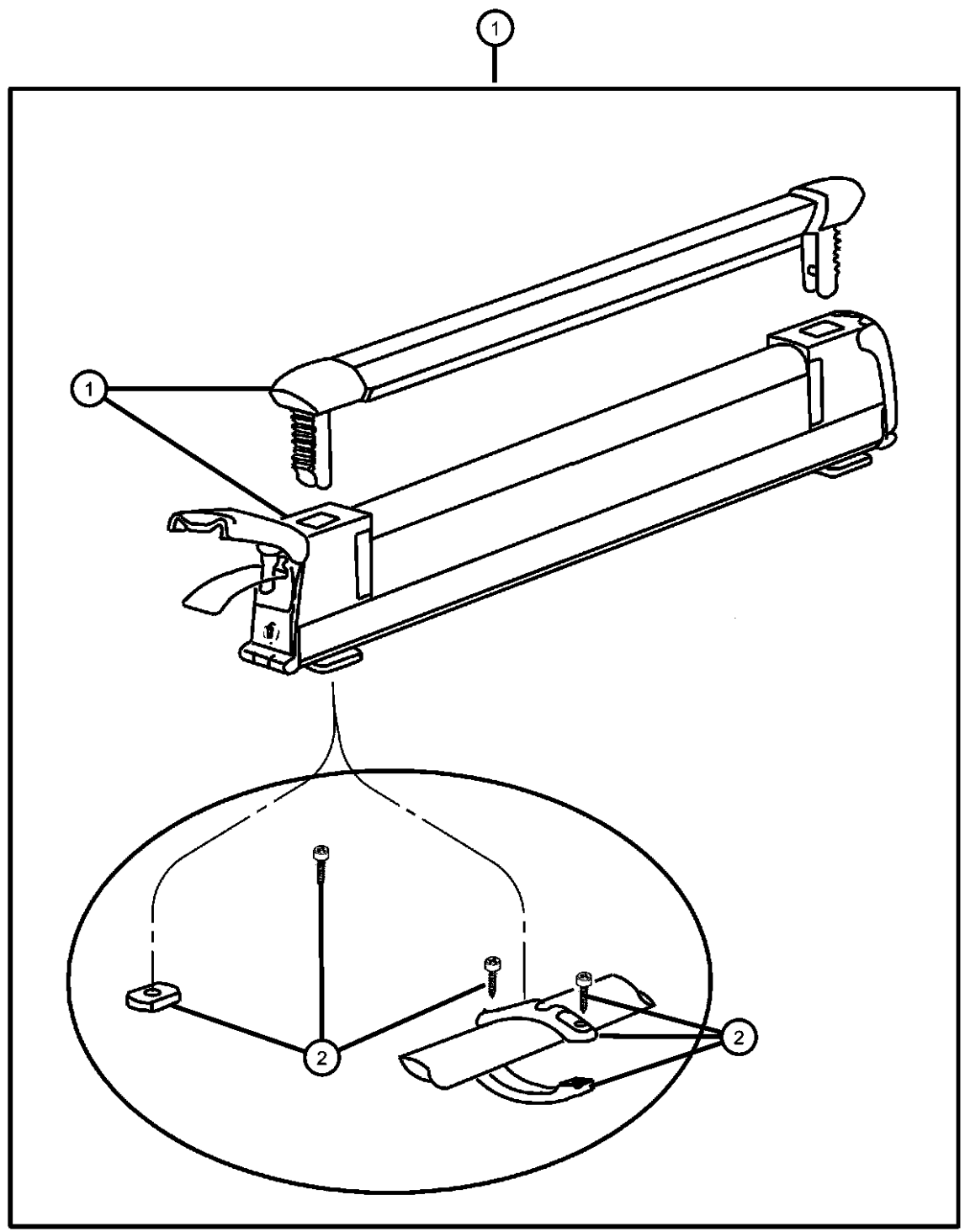
TRANSMISSION

DGQ = 5-Spd Automatic 545RFE
Transmission

AR = use ase required - = Non illustrated part

2007 HG

**Carrier Kit, Snowboard or Ski
Figure 1-235**



ITEM	PART NUMBER	QTY	LINE	SERIES	BODY	ENGINE	TRANS	TRIM	DESCRIPTION
1	82207308	1							CARRIER KIT, Ski
2	05086158AA	1							HARDWARE KIT, Accessory
-3	05066632AA	1							TOOL, Screw Driver

ASPEN (HG)				
SERIES	LINE	BODY	ENGINE	TRANSMISSION
P = PREMIUM	1 = Lt. Duty DODGE 2WD 5 = Lt. Duty DODGE 4WD	74 = SPORT UTILITY 4-DR TYPE #4	EVA = 4.7L V8 MPI Engine EVD = 4.7L V8 FFV Engine EZB = 5.7L Hemi Multi Displacement Engine	DGQ = 5-Spd Automatic 545RFE Transmission

AR = use ase required - = Non illustrated part

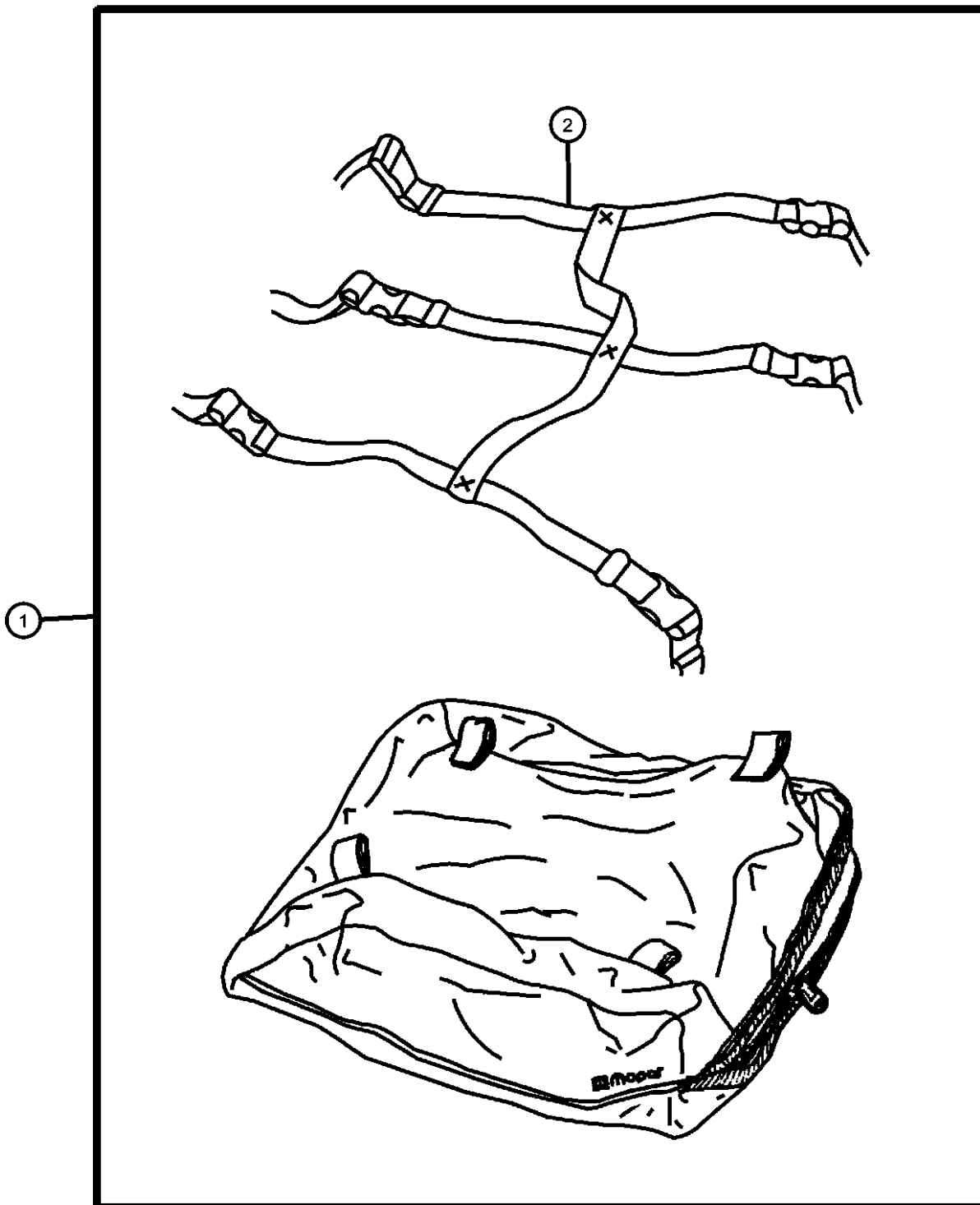
Luggage Carrier Roof Vinyl
Figure 1-264

ITEM	PART NUMBER	QTY	LINE	SERIES	BODY	ENGINE	TRANS	TRIM	DESCRIPTION
------	-------------	-----	------	--------	------	--------	-------	------	-------------

NOTE: Requires Roof Rack.

1	82207198	1							CARRIER KIT, Luggage
2	05066332AA	1							STRAP KIT, Luggage Carrier

CARRIER KIT, Luggage
STRAP KIT, Luggage Carrier



ASPEN (HG)

SERIES

P = PREMIUM

LINE

1 = Lt. Duty DODGE 2WD
5 = Lt. Duty DODGE 4WD

BODY

74 = SPORT UTILITY 4-DR
TYPE #4

ENGINE

EVA = 4.7L V8 MPI Engine
EVD = 4.7L V8 FFV Engine
EZB = 5.7L Hemi Multi
Displacement Engine

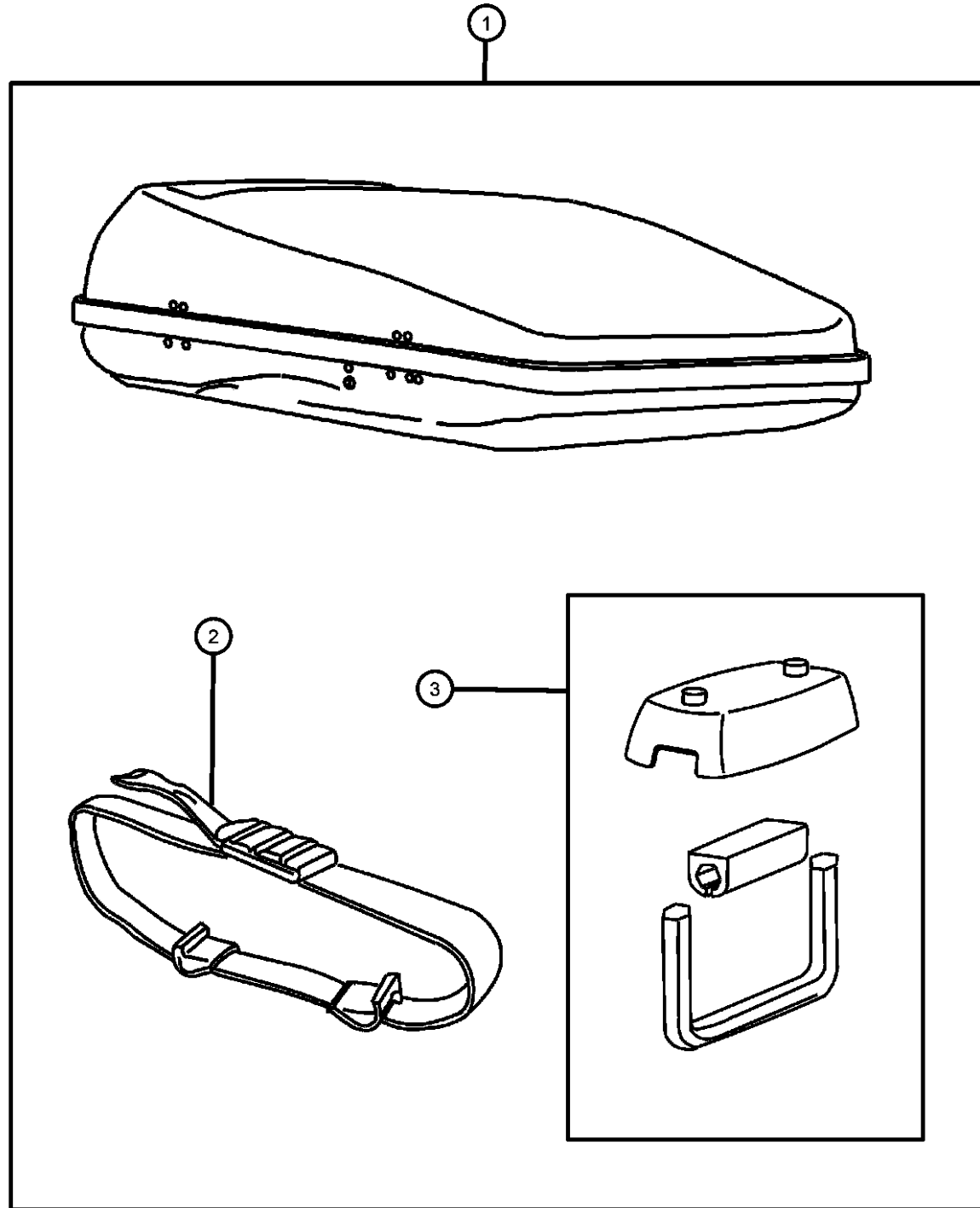
TRANSMISSION

DGQ = 5-Spd Automatic 545RFE
Transmission

AR = use ase required - = Non illustrated part

2007 HG

Carrier Kit / Luggage
Figure 1-266



ITEM	PART NUMBER	QTY	LINE	SERIES	BODY	ENGINE	TRANS	TRIM	DESCRIPTION
------	-------------	-----	------	--------	------	--------	-------	------	-------------

Note; Requires Roof Rack

1	82207341AB	1							CARRIER KIT, Luggage 480 Liter Capacity
	82207353AB	1							440 Liter Capacity
2	05086160AA	1							STRAP, Cargo Tie Down
3	05086159AA	1							HARDWARE KIT

ASPEN (HG)

SERIES	LINE	BODY	ENGINE	TRANSMISSION
P = PREMIUM	1 = Lt. Duty DODGE 2WD 5 = Lt. Duty DODGE 4WD	74 = SPORT UTILITY 4-DR TYPE #4	EVA = 4.7L V8 MPI Engine EVD = 4.7L V8 FFV Engine EZB = 5.7L Hemi Multi Displacement Engine	DGQ = 5-Spd Automatic 545RFE Transmission

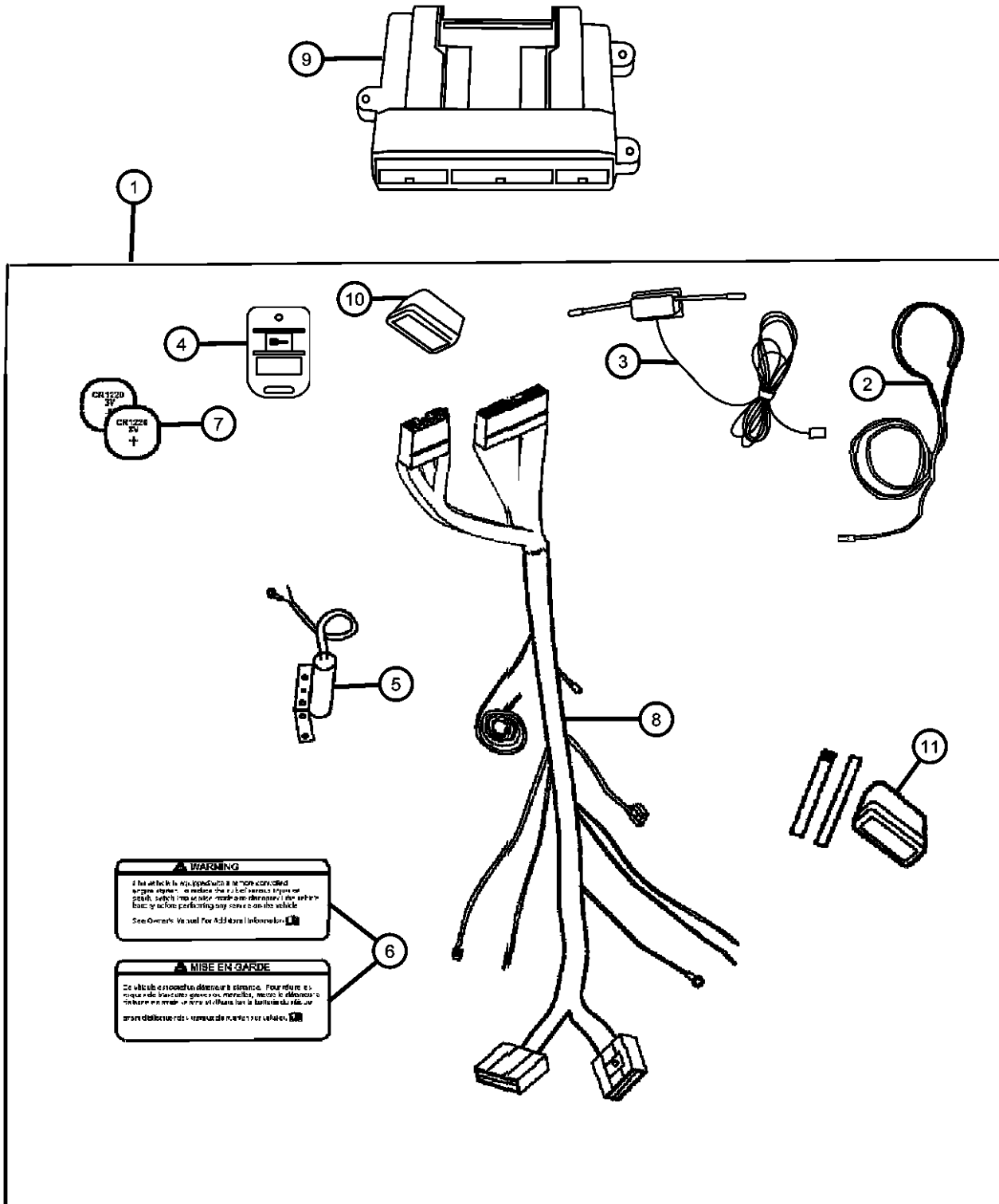
AR = use ase required - = Non illustrated part

Remote Start
Figure 1-310

ITEM	PART NUMBER	QTY	LINE	SERIES	BODY	ENGINE	TRANS	TRIM	DESCRIPTION
------	-------------	-----	------	--------	------	--------	-------	------	-------------

NOTE: Module (Item # 9) not included in install kit, need to order separately.

1	82210224AG	1							INSTALL KIT, REMOTE START
2	05140470AA	1							ANTENNA
3	05140471AA	1							ANTENNA
4	05140472AA	1							TRANSMITTER
5	68001331AA	1							SWITCH
6	05140474AA	1							LABEL
7	05140773AA	1							BATTERY, Transmitter, Contains: 12 Replacement Batteries
8	68021168AA	1							HARNES, Wiring
9	82208859AB	1							MODULE KIT, REMOTE START
10	68021198AA	1							MODULE, Remote Start
11	05140468AA	1							MODULE



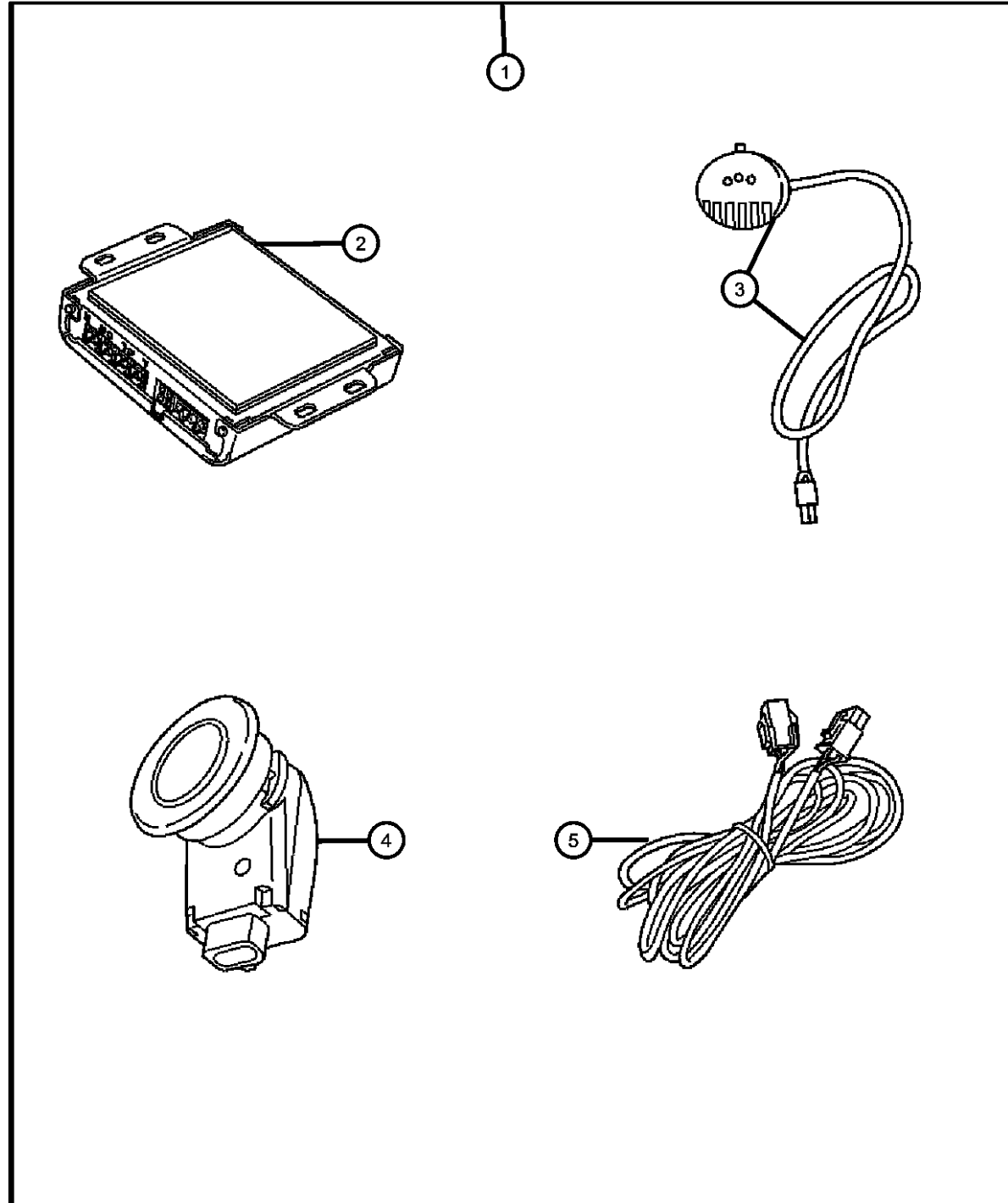
ASPEN (HG)

SERIES	LINE	BODY	ENGINE	TRANSMISSION
P = PREMIUM	1 = Lt. Duty DODGE 2WD 5 = Lt. Duty DODGE 4WD	74 = SPORT UTILITY 4-DR TYPE #4	EVA = 4.7L V8 MPI Engine EVD = 4.7L V8 FFV Engine EZB = 5.7L Hemi Multi Displacement Engine	DGQ = 5-Spd Automatic 545RFE Transmission

AR = use ase required - = Non illustrated part

2007 HG

Sensor Package Park/Distance
Figure 1-320



ITEM	PART NUMBER	QTY	LINE	SERIES	BODY	ENGINE	TRANS	TRIM	DESCRIPTION
1	82208246AD	1							SENSOR KIT, Park Distance
2	05137541AA	1							MODULE, Parking Assist
3	05137539AA	1							DISPLAY, Parking Assist
4	05137536AA	1							SENSOR
5	05137540AA	1							WIRING, Distance Sensor

ASPEN (HG)

SERIES

P = PREMIUM

LINE

1 = Lt. Duty DODGE 2WD
 5 = Lt. Duty DODGE 4WD

BODY

74 = SPORT UTILITY 4-DR
 TYPE #4

ENGINE

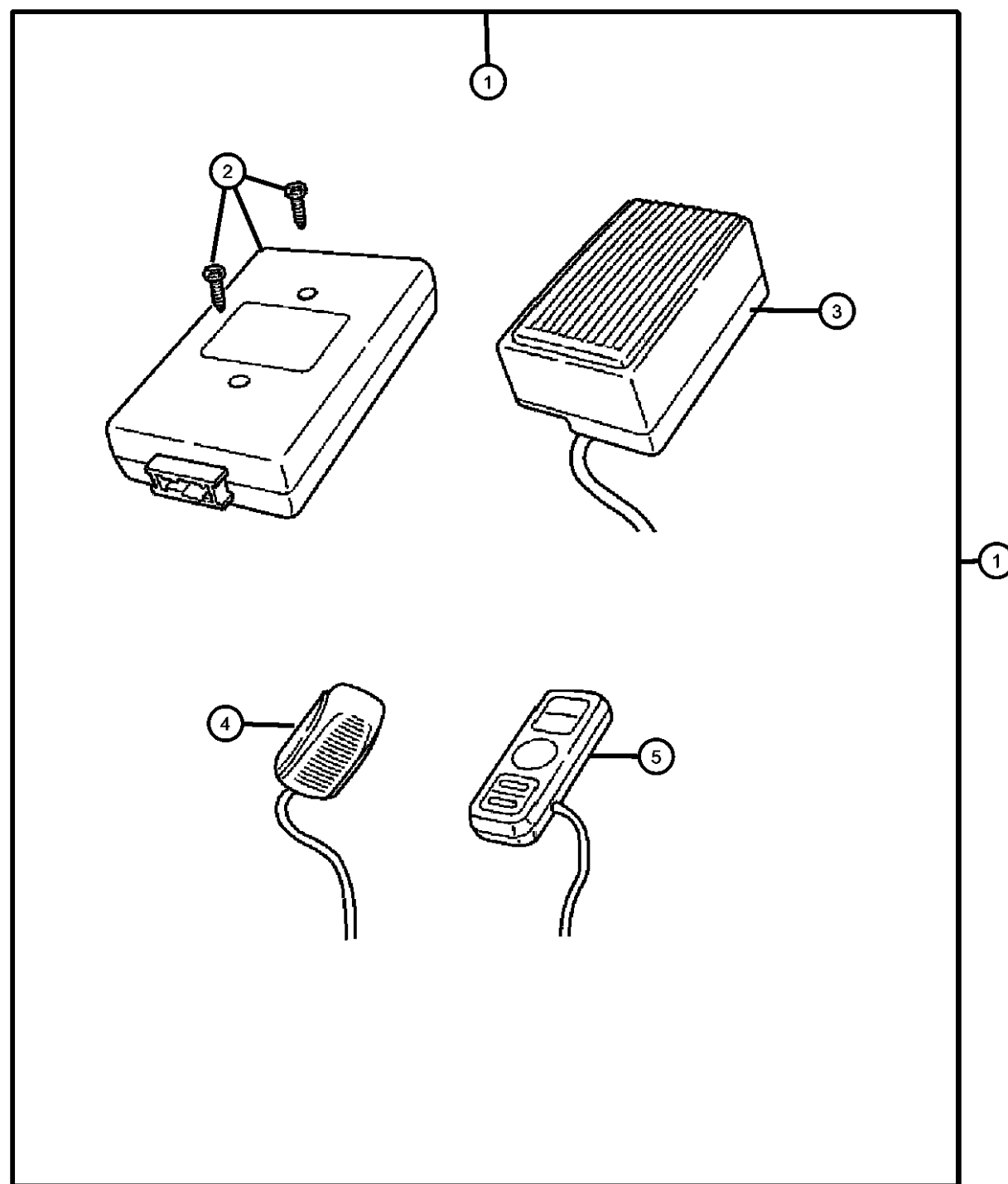
EVA = 4.7L V8 MPI Engine
 EVD = 4.7L V8 FFV Engine
 EZB = 5.7L Hemi Multi
 Displacement Engine

TRANSMISSION

DGQ = 5-Spd Automatic 545RFE
 Transmission

AR = use ase required - = Non illustrated part

Figure 1-330



ITEM	PART NUMBER	QTY	LINE	SERIES	BODY	ENGINE	TRANS	TRIM	DESCRIPTION
1	82207853AE	1							HANDS FREE KIT, Cellular Phone
2	05114359AE	1							MODULE, U Connect
3	05102026AA	1							SPEAKER, Front
4	05102025AA	1							MICROPHONE, Audio
5	05102027AA	1							CONTROLLER, Audio
-6	05191830AA	1							HARNESS

ASPEN (HG)

SERIES

P = PREMIUM

LINE

1 = Lt. Duty DODGE 2WD
5 = Lt. Duty DODGE 4WD

BODY

74 = SPORT UTILITY 4-DR
TYPE #4

ENGINE

EVA = 4.7L V8 MPI Engine
EVD = 4.7L V8 FFV Engine
EZB = 5.7L Hemi Multi
Displacement Engine

TRANSMISSION

DGQ = 5-Spd Automatic 545RFE
Transmission

AR = use ase required - = Non illustrated part