

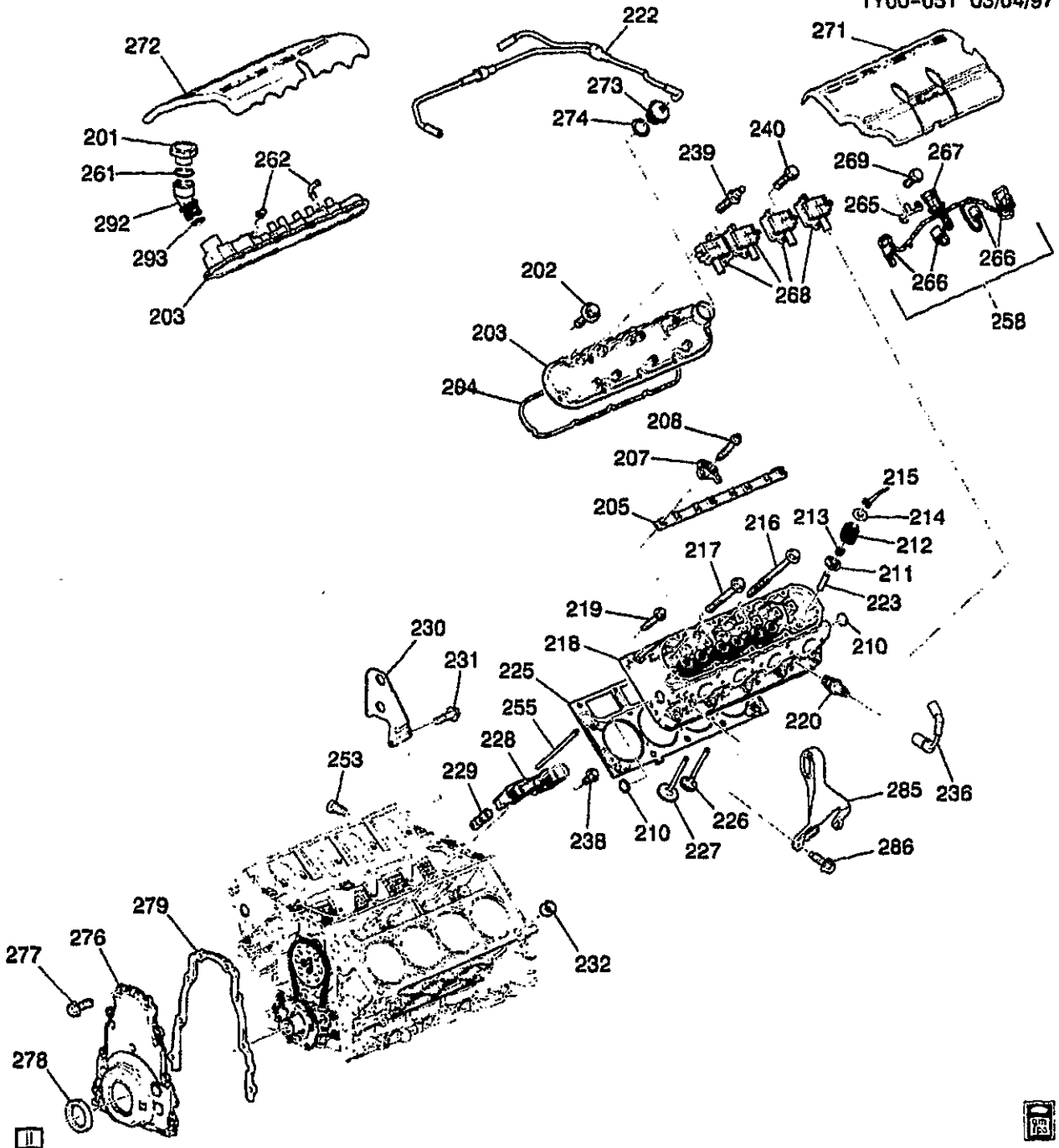


# CHEVROLET CHASSIS GROUP 0.000



## ILLUSTRATION INDEX

	TITLE	GRID
1997-1998	Y ENGINE ASM-5.7L V8 PART 2 CYLINDER HEAD AND RELATED PARTS (LS1/5.7G) .....	1-F7
1997-1998	Y ENGINE ASM-5.7L V8 PART 3 FRONT COVER & COOLING (LS1/5.7G) .....	1-F11
1997-1998	Y ENGINE ASM-5.7L V8 PART 5 MANIFOLDS AND FUEL RELATED PARTS (LS1/5.7G) ....	1-F13
1997-1999	Y ENGINE ASM-5.7L V8 PART 4 OIL PUMP, PAN & RELATED PARTS (LS1/5.7G) .....	1-F19
1997-2001	Y ENGINE ASM-5.7L V8 PART 1 CYLINDER BLOCK AND RELATED PARTS (LS1/5.7G) ....	1-G2
2001	Y ENGINE ASM-5.7L V8 PART 1 CYLINDER BLOCK AND RELATED PARTS (LS6/5.7S) ....	1-G2
1999-2000	Y ENGINE ASM-5.7L V8 PART 5 MANIFOLDS AND FUEL RELATED PARTS (LS1/5.7G) ....	1-G10
1999-2001	Y ENGINE ASM-5.7L V8 PART 2 CYLINDER HEAD AND RELATED PARTS (LS1/5.7G) .....	1-G15
1999-2001	Y ENGINE ASM-5.7L V8 PART 3 FRONT COVER & COOLING (LS1/5.7G) .....	1-G19
2001	Y ENGINE ASM-5.7L V8 PART 3 FRONT COVER & COOLING (LS6/5.7S) .....	1-G19
2000-2001	Y ENGINE ASM-5.7L V8 PART 4 OIL PUMP, PAN & RELATED PARTS (LS1/5.7G) .....	1-G22
2001	Y ENGINE ASM-5.7L V8 PART 4 OIL PUMP, PAN & RELATED PARTS (LS6/5.7S) .....	1-G22
2001	Y ENGINE ASM-5.7L V8 PART 2 CYLINDER HEAD AND RELATED PARTS (LS6/5.7S) .....	1-H2
2001	Y ENGINE ASM-5.7L V8 PART 5 MANIFOLDS AND FUEL RELATED PARTS (LS1/5.7G) ....	1-H6
2001	Y ENGINE ASM-5.7L V8 PART 5 MANIFOLDS AND FUEL RELATED PARTS (LS6/5.7S) ....	1-H11
1997-2001	Y ENGINE MOUNTING .....	1-H16
1997-2001	Y CLUTCH .....	1-H17
1997-2001	Y CLUTCH LINKAGE .....	1-H19



1Y00-051

**1997-1998 Y ENGINE ASM-5.7L V8 PART 2 CYLINDER HEAD AND RELATED PARTS (LS1/5.7G)**

201.	1-E15	1.758	CAP OIL FIL (INCLS 261) ("MOBIL 1") (WITH SEAL) (AC-DELCO #RC73) .....	97-98 Y (LS1) .....	1	12555685
202.	1-D15	0.413	BOLT, VLV RKR ARM CVR (SPECIAL; M6X1.0X33.5) .....	97-98 Y (LS1) .....	20	12556430

					1Y00-051
203.	1-D15	0.386	COVER, VLV RKR ARM (INCL 202, 204, 262) (INCLS ATTACH BOLTS) .....	97-98 Y (LS1) .....	LH 12559604
	1-D15	0.386	COVER, VLV RKR ARM (INCL 202, 204, 273, 274) (INCLS ATTACH BOLTS) .....	97-98 Y (LS1) .....	RH 12559603
204.	1-D15	0.423	GASKET, VLV RKR ARM CVR (*KIT1) .....	97-98 Y (LS1) .....	2 12556429
205.	1-D16	0.429	SUPPORT, VLV RKR ARM PIV ...	97-98 Y (LS1) .....	2 12552203
207.	1-D15	0.333	ARM, VLV RKR .....	97-98 Y (LS1) .....	16 10214664
208.	1-D15	0.349	BOLT, VLV RKR ARM PIV SUPT ..	97-98 Y (LS1) .....	16 12580961
210.	1-D14	0.293	PLUG, CYL HD CORE HOLE (CUP. 32.03X7.87X1.47, 1010, 6199-M) .....	97-98 Y (LS1) .....	4 1647542
211.	1-D14	0.303	SHIM, VLV SPR .....	97-98 Y (LS1) .....	16 12551143
212.	1-D14	0.303	SPRING, VLV .....	97-98 Y (LS1) .....	16 12553696
213.	1-D14	0.308	SEAL KIT, INT VLV STEM OIL (INCLS (8) SEALS) .....	97-98 Y (LS1) .....	1 12533586
	1-D14	0.308	SEAL KIT, EXH VLV STEM OIL (14.4MM) (INCLS (8) SEALS) ....	97-98 Y (LS1) .....	1 12457652
214.	1-D15	0.309	CAP, VLV SPR .....	97-98 Y (LS1) .....	16 10166344
215.	1-D15	0.310	KEY, VLV STEM .....	97-98 Y (LS1) .....	32 10166345
216.	1-D14	0.293	BOLT, CYL HD (M11X2.0X155.0-6G THD) (W/ADHES PATCH) .....	97 Y (LS1) .....	16 12560744
	1-D14	0.293	BOLT, CYL HD (M11X2.0X155.0-6G THD) (W/ADHES PATCH) .....	98 Y (LS1) .....	16 12560744
217.	1-D14	0.293	BOLT, CYL HD (M11X2.0X100.0-6G THD) (W/ADHES PATCH) .....	97 Y (LS1) .....	4 12560745
	1-D14	0.293	BOLT, CYL HD (M11X2.0X100.0-6G THD) (W/ADHES PATCH) .....	98 Y (LS1) .....	4 12560745
218.	1-D13	0.269	HEAD, CYL .....	97-98 Y (LS1) .....	2 12558807
219.	1-D14	0.293	BOLT, CYL HD (SHORT) (8X1.25X45) .....	97-98 Y (LS1) .....	10 12558840
220.	1-M21	2.270	SPARK PLUG, (AC-DELCO #41-974) .....	97-98 Y (LS1) .....	8 12563707
	1-M21	2.270	SPARK PLUG, (41-931) (AC-DELCO #41-931) .....	97-98 Y (LS1) .....	8 25162555
	1-M21	2.270	SPARK PLUG, (AC-DELCO #12) .....	97-98 Y (LS1) .....	8 25332827
222.	1-E15	1.762	PIPE, PCV VLV .....	97-98 Y (LS1) .....	1 12558673
	1-E15	1.762	PIPE, PCV VLV (VLV IN MIDDLE OF HARNESS) .....	98 Y (LS1) .....	1 12560692
223.		N.S.	GUIDE, VLV (PART OF 218) .....		
225.	1-D13	0.289	GASKET, CYL HD (*KIT1) .....	97-98 Y (LS1) .....	RH 12558809
	1-D13	0.289	GASKET, CYL HD (*KIT1) .....	97-98 Y (LS1) .....	LH 12558810
226.	1-D14	0.297	VALVE, EXH (0.296) .....	97-98 Y (LS1) .....	8 12550458
227.	1-D14	0.296	VALVE, INT .....	97-98 Y (LS1) .....	8 12550457
228.	1-D16	0.439	GUIDE, VLV LFTR (ACCOMODATES 4 VLV LFTRS EACH) .....	97-98 Y (LS1) .....	4 12551162
229.	1-D16	0.459	LIFTER, VLV (AC-DELCO #HL124) .....	97-98 Y (LS1) .....	16 17122490
230.		N.S.	BRACKET, ENG LIFT RR .....		1

231.	8.900	BOLT, M10X1.5X30, 10.9, 7114M, 22 OD, HDR PT (BOLT, ENG LIFT BRKT) .....	97-98 Y (LS1) .....	2	11516328
232.	1-D14	0.293	PIN, CYL HD LOC (1/2 X 5/8 O.D.) .....	97-98 Y (LS1) .....	4 12558081
236.	1-M21	2.240	WIRE, SPLG (POS #1-#8) (STYLE 8DDD) (7.8" LONG) (2.239) (AC-DELCO #348S) ....	97-98 Y (LS1) .....	8 12192084
238.	1-D16	0.459	BOLT, VLV LFTR GDE (HFH M6X1.0X19, 13 THD, 10.9, GM4435M, MACH, DOG PT & SHOULDER) .....	97-98 Y (LS1) .....	4 12551163
239.	1-M21	2.183	STUD, IGN COIL (HiTH, M6X1.0X40, SPECIAL HD) .....	97-98 Y (LS1) .....	9 12557539
240.	1-M21	2.183	STUD, IGN COIL (HFH, M6X1.0X40, SPECIAL HD) .....	97-98 Y (LS1) .....	4 12557539
253.	1-D14	0.293	PLUG, CYL HD CORE HOLE (THREADED) .....	97-98 Y (LS1) .....	1 12553191
255.	1-D15	0.426	ROD, VLV PUSH .....	97-98 Y (LS1) .....	16 10238852
258.	1-M21	2.240	WIRE, IGN COIL (INCLS 265, 266, 267, 269) (W/CLIP) (LH & RH BANKS) (PRIMARY) .....	97-98 Y (LS1) .....	2 15301401
261.		N.S.	SEAL, O-RING FIL (PART OF ITEM #201) .....		
262.		N.S.	ELBOW, PCV (PART OF ITEM #203) .....		
265.		N.S.	BRACKET, ENG WRG HARN CONN .....		
266.	1-M21	2.170	CONNECTOR, COIL-IGN (4-WAY F) (W/LEADS, IN A ROW) (4.651) (AC-DELCO #PT368) .....	97-98 Y (LS1) .....	8 12102741
267.	1-N15	2.530	CONNECTOR, INLINE-TO ENG HARN (7-WAY M, W/LEADS) (AC-DELCO #PT281) .....	97-98 Y (LS1) .....	1 12102480
268.	1-M21	2.170	COIL, IGN (AC-DELCO #D580) .	97-98 Y (LS1) .....	8 12558948
269.		8.900	BOLT/SCREW, HFH, M6X1X10, 9.8, PZOR, 7114M, 14.2, FLG OD (BOLT, WRG HARN BRKT) .....	97-98 Y (LS1) .....	4 11516421
271.	1-N22	3.330	COVER, F/INJN FUEL RL .....	97-98 Y (LS1) .....	LH 12559261
272.	1-N22	3.330	COVER, F/INJN FUEL RL .....	97-98 Y (LS1) .....	RH 12556455
273.	1-E15	1.762	FITTING, PCV (INCLS 274) .....	97-98 Y (LS1) .....	1 12557672
274.		N.S.	SEAL, PCV FITTING (PART OF 273) .....		
276.	1-D13	0.206	COVER, ENG FRT (INCLS CVR, SEAL, GSKT, BOLT) .....	97-98 Y (LS1) .....	1 12561243
277.	1-D13	0.137	BOLT, CR/SHF RR OIL SEAL HSG (M8X1.25X30, 28 THD, 18 OD, 10.9, 7114M, MACH) (8.900) .....	97-98 Y (LS1) .....	12 11515758
	1-D13	0.137	BOLT, CR/SHF RR OIL SEAL HSG (HFH M8X1.25X30, 23.85 THD, 10.9, PZ GM7114M, MACH) (8.900) .....	97-98 Y (LS1) .....	12 12551187
278.	1-D13	0.213	SEAL, CR/SHF FRT OIL .....	97-98 Y (LS1) .....	1 12561244
279.	1-D13	0.207	GASKET, ENG FRT CVR .....	97-98 Y (LS1) .....	1 12558013
285.		N.S.	BRACKET, ENG LIFT FRT .....		

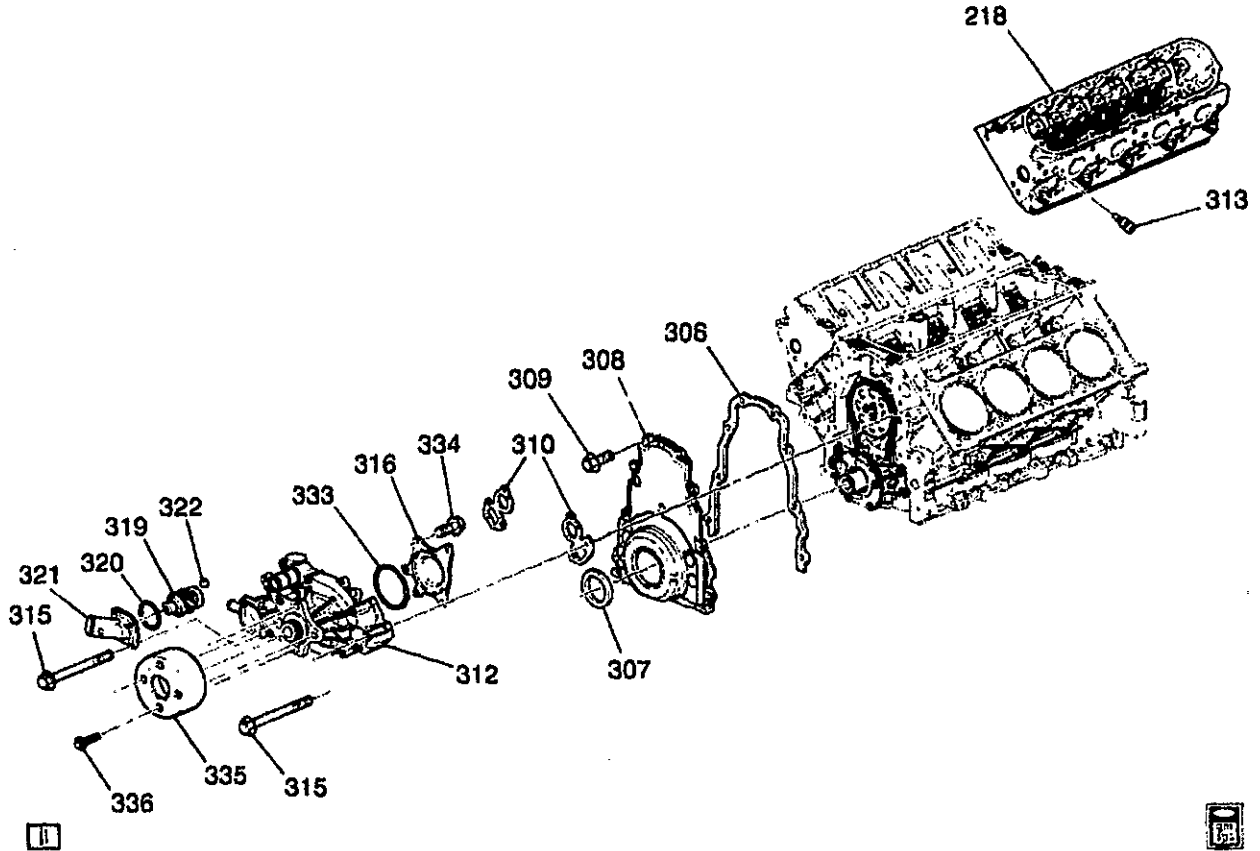
286.	1-D12	0.004	BOLT, ENG LIFT BRKT (M10X1.5X35, 32THD, 10.9) (8,900) .....	97-98 Y (LS1) .....	2 11515767
292.	1-E14	1.745	TUBE, OIL FIL (INCLS 293) .....	97-98 Y (LS1) .....	1 12559505
293.	N.S.		SEAL, O-RING FIL (PART OF ITEM #292) .....		

**SERVICE KITS**

1.	1-D13	0.289	GASKET KIT, CYL HD (INCL 204, 225) (KIT INCLUDES: GASKETS FOR CYLINDER HEAD, INTAKE AND EXHAUST MANIFOLD, VALVE COVERS AND SEAL, ENG COOL AIR BL PIPE (O-RING) ...	97-98 Y (LS1) .....	1 12369018
----	-------	-------	---	---------------------	------------

**RPO DEFINITIONS**

LS1 - ENGINE GAS, 8 CYL, 5.7L, SFI, ALUMINUM ENGINE



1Y00-052

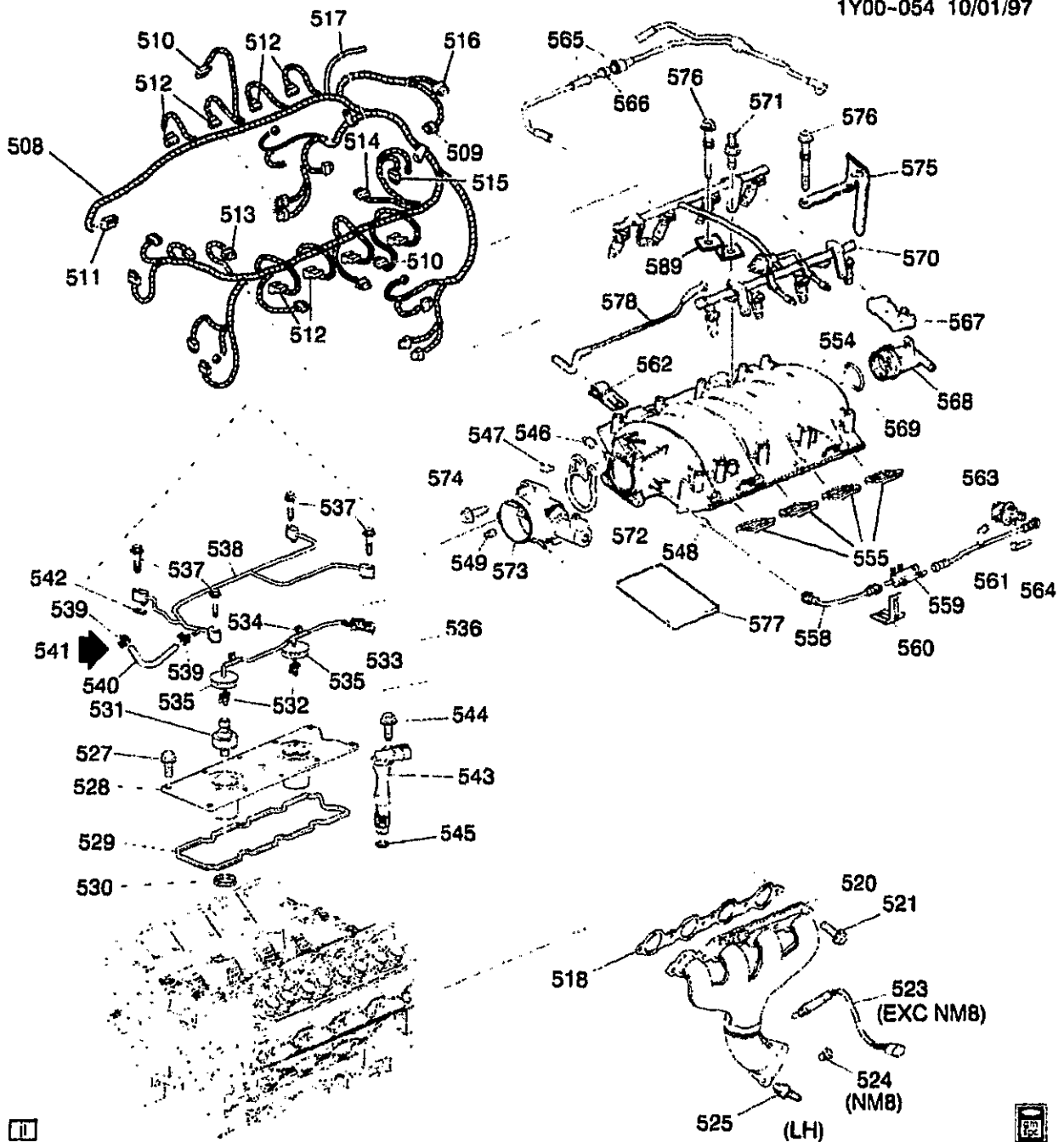
1997-1998 Y ENGINE ASM-5.7L V8 PART 3 FRONT COVER & COOLING (LS1/5.7G)

218.	1-D13	0.269	HEAD, CYL .....	97-98	Y (LS1)	2	12558807
306.	1-D13	0.207	GASKET, ENG FRT CVR .....	97-98	Y (LS1)	1	12558013
307.	1-D13	0.213	SEAL, CR/SHF FRT OIL (ALSO PART OF 308) .....	97-98	Y (LS1)	1	12561244
308.	1-D13	0.206	COVER, ENG FRT (INCL 304, 307) (INCLS CVR, SEAL, GSKT, BOLT) .....	97-98	Y (LS1)	1	12561243
309.	1-D13	0.206	BOLT, ENG FRT CVR (M8X1.25X30, 28 THD, 18 OD, 10.9, 7114M, MACH) (8.900) .....	97-98	Y (LS1)	12	11515758
	1-D13	0.206	BOLT, ENG FRT CVR (HFH M8X1.25X30, 23.85 THD, 10.9, PZ GM7114M, MACH) (8.900) .....	97-98	Y (LS1)	12	12551187
310.	1-E8	1.079	GASKET, W/PMP (ALSO PART OF 312) .....	97-98	Y (LS1)	2	12559648
312.	1-E8	1.069	PUMP, WAT (INCLS 310, 316) (LESS PRESS-ON STYLE PULLEY) (AC-DELCO #251-596) .....	97-98	Y (LS1)	1	12369537
313.	1-N24	3.682	SENSOR, ENG COOL TEMP (AC-DELCO #25037062) .....	97-98	Y (LS1)	1	25037062

	1-E9	1.150	CONNECTOR, SEN-ENG COOL TEMP (BLACK) (2-WAY F W/LEADS) (2.383) (AC-DELCO #PT169) .....	97-98	Y (LS1) .....	1	12101889
315.	1-E8	1.079	BOLT, W/PMP (USED W/SEALANT) (M8X1.25X82.6, 31.8 THD, 17 OD, 10.9, GM7114M MZF) .....	97-98	Y (LS1) .....	6	12551926
316.		N.S.	COVER, W/PMP (BACKPLATE) (PART OF 312) .....	97-98	Y (LS1) .....	1	12557710
319.		N.S.	THERMOSTAT, ENG COOL (INCL 312, 321) .....				
320.	1-E9	1.123	SEAL, W/PMP (ALSO PART OF #319) .....	97-98	Y (LS1) .....	1	12561155
321.	1-E8	1.073	INLET, W/PMP (INCLS 319, 322) (INCLS INLET, THERMOSTAT, SEAL, VALVE, RET) .....	97-98	Y (LS1) .....	1	12562740
322.		N.S.	VALVE, ENG COOL AIR BL (PART OF 321) .....				
333.	1-E9	1.123	SEAL, W/PMP CVR (O RING) (ALSO PART OF 312) .....	97-98	Y (LS1) .....	1	12551905
334.		N.S.	BOLT, W/PMP CVR (PART OF 312) (M6X1X25) .....				
335.	1-E7	1.062	PULLEY, W/PMP .....	97-98	Y (LS1) .....	1	12552059
336.	1-E7	1.062	BOLT, W/PMP PUL (M8X1.25X20) (8.900) .....	97-98	Y (LS1) .....	4	11515756

**RPO DEFINITIONS**

LS1 - ENGINE GAS, 8 CYL, 5.7L, SFI, ALUMINUM ENGINE



**1997-1998 Y ENGINE ASM-5.7L V8 PART 5 MANIFOLDS AND FUEL RELATED PARTS (LS1/5.7G)**

1Y00-054

508.	1-N15	2.525	HARNESS, ENG WRG .....	97 Y (M30) .....	1	12163328
	1-N15	2.525	HARNESS, ENG WRG .....	97 Y (MM6) .....	1	12163330
	1-N15	2.525	HARNESS, ENG WRG .....	98 Y (M30) (EXC JAG) ....	1	12163328
	1-N15	2.525	HARNESS, ENG WRG .....	98 Y (MM6) (EXC JAG, VD1) .....	1	12163330
	1-N15	2.525	HARNESS, ENG WRG .....	98 Y (M30, JAG) .....	1	12163794



	1-N15	2.525	HARNESS, ENG WRG .....	98	Y (MM6, JAG) (EXC VD1) .....	1	12163795
	1-N15	2.525	HARNESS, ENG WRG .....	98	Y (MM6, JAG, VD1) (EXPORT) .....	1	12189910
509.	1-M22	2.383	CONNECTOR, SEN-CM/SHF POSN (PART OF 508) (BLACK) (3-WAY F) (W/LEADS) (2.535) (AC-DELCO #PT117) .....	97-98	Y (LS1) .....	1	12085495
510.	1-M22	2.383	CONNECTOR, MDL-ELEKIGN CONT (7-WAY F, W/LEADS) (8.965) (AC-DELCO #PT381) ...	97-98	Y (LS1) .....	2	12102754
511.	1-N23	3.339	CONNECTOR, SEN-THROT POSN (6-WAY F) (W/LEADS) (WIRE CAVITIES CAN BE PLUGGED W/12065266) (2.383) (AC-DELCO #PT787) .....	97-98	Y .....	1	12167121
512.	1-N13	2.483	CONNECTOR, INJR-FUEL (2-WAY F) (W/LEADS) (2.535) (AC-DELCO #PT113) .....	97-98	Y .....	8	12095491
513.	1-N23	3.454	CONNECTOR, MOT-THROT ACTR (BLACK) (2-WAY M) (W/LEADS) (13.090) (AC-DELCO #PT288) .....	97-98	Y (LS1) .....	1	12116247
	1-N23	3.454	CONNECTOR, MOT-THROT ACTR (TO I/P HARNESS) (BLACK) (10-WAY F) (W/LEADS) (2.530) (AC-DELCO #PT588) ...	97	Y07 .....	1	12125676
514.	1-N15	2.530	CONNECTOR, INLINE-TO KNOCK SEN (PART OF 508) (BLACK) (2-WAY F W/LEADS) (3.670) (AC-DELCO #PT374) ...	97-98	Y (LS1) .....	1	12102747
515.	1-E13	1.516	CONNECTOR, SEN-ENG OIL LVL (BLACK) (2-WAY F W/LEADS) (3.670) (AC-DELCO #PT374) .....	97-98	Y .....	2	12102747
516.	1-N24	3.682	CONNECTOR, SEN-MAP (GRAY) (3-WAY F) .....	97-98	Y (LS1) .....	1	12129946
517.	1-N27	9.281	HOSE, HTR & A/C CONT VAC TK (HOSE, VAC ,HVAC PORT) (ENG HARN SECTION) .....	97-98	Y (LS1) .....	1	12124136
518.	1-N21	3.272	GASKET, EXH MANIF (*KIT1) (3.270) .....	97-98	Y (LS*) .....	2	12558573
520.	1-N23	3.601	MANIFOLD, EXH (INCLS 524, 525) .....	97-98	Y (LS1) .....	LH	12561308
	1-N23	3.601	MANIFOLD, EXH (INCLS 524, 525) .....	97-98	Y (LS1) .....	RH	12561309
521.	1-N21	3.275	BOLT, EXH MANIF .....	97-98	Y (LS1) .....	12	12560206
523.	1-N24	3.682	SENSOR, HTD OXY (AC-DELCO #AFS75) .....	97	Y (LS1) .....	1	25312184
	1-N24	3.682	SENSOR, HTD OXY (AC-DELCO #AFS75) .....	98	Y (LS1) .....	1	25312184
524.		8.971	PLUG-EXT, M18X1.5X10 TAPPERED 1:16, 19 OD, 22 OAL, SAE 1010/1012 (OXY SEN HOLE)	97-98	Y (LS1) .....	1	25509274
525.	1-N23	3.613	STUD, EXH PIPE .....	97	Y (LS1) .....	6	12561310
	1-N23	3.613	STUD, EXH PIPE .....	98	Y (LS1) .....	6	12561310

527.	1-N21	3.265	<b>BOLT, ENG BLK VALLEY CVR</b> (ENG BLK VALLEY CVR) (PART OF 528) (HFH M8X1.25X30, 23.85 THD, 10.9, PZ GM7114M, MACH) (8.900) .....	97-98 Y (LS1) .....	10	12551187
528.	1-N21	3.265	<b>COVER, ENG BLK VALLEY</b> (INCLS 527, 529, 530) .....	97-98 Y (LS1) .....	1	12561106
529.	1-N21	3.270	<b>GASKET, ENG BLK VALLEY CVR</b> (PART OF 528) .....	97-98 Y (LS1) .....	1	12558178
530.	1-M22	2.383	<b>GROMMET, KNOCK SEN (PART</b> OF 528) .....	97-98 Y (LS1) .....	2	12558177
531.	1-M22	2.383	<b>SENSOR, KNOCK (AC-DELCO</b> #213-298) .....	97 Y (LS1) .....	2	10456222
	1-M22	2.383	<b>SENSOR, KNOCK (W/LOCATING</b> TAB, 2ND DES SEE 10456603) (AC-DELCO #213-298) .....	98 Y (LS1) (1ST DES) ....	2	10456222
	1-M22	2.383	<b>SENSOR, KNOCK (W/O</b> LOCATING TAB, 1ST DES SEE 10456222) (AC-DELCO #213-362) .....	98 Y (L 31) (2ND DES) ....	2	10456603
532.	1-M22	2.383	<b>CONNECTOR, SEN-KNOCK</b> (PART OF 536) (1-WAY M, W/LEADS, HIGH TEMP) (1.150) (AC-DELCO #PT727) .....	98 Y (LS1) .....	2	12126456
	1-M22	2.383	<b>CONNECTOR, SEN-KNOCK</b> (FRONT) (PART OF 536) (1-WAY F) (W/O LEADS) (M/P 150 SLD) ..	97-98 Y .....	2	12176800
	1-M22	2.383	<b>CONNECTOR, SEN-KNOCK</b> (FRONT) (PART OF 536) (1-WAY F) (W/LEADS) (M/P 150 SLD) (AC-DELCO #PT1233) .....	97 Y (LS1) .....	2	15306070
	1-M22	2.383	<b>CONNECTOR, SEN-KNOCK</b> (USE W/SENSOR STAMPED 10456603 & CONNECTOR W/O INDEX TAB) (PART OF 536) (1-WAY M, W/LEADS, HIGH TEMP) (1.150) (AC-DELCO #PT727) .....	98 Y (LS1) (2ND DES) ....	2	12126456
	1-M22	2.383	<b>CONNECTOR, SEN-KNOCK</b> (USE W/SENSOR STAMPED 10456222 & W/INDEX TAB ON CONNECTOR TO SENSOR) (PART OF 536) (1-WAY F) (W/LEADS) (M/P 150 SLD) (AC-DELCO #PT1233) (FOR 2ND DES SEE 12126456) .....	98 Y (LS1) (1ST DES) ....	1	15306070
533.	1-N15	2.530	<b>CONNECTOR, INLINE-TO ENG</b> HARN (PART OF 536) (BLACK) (2-WAY M) (W/LEADS) (4.720) (AC-DELCO #PT786) .....	97 Y (LS1) .....	1	12167120
	1-N15	2.530	<b>CONNECTOR, INLINE-TO ENG</b> HARN (PART OF 536) (BLACK) (2-WAY M) (W/LEADS) (4.720) (AC-DELCO #PT786) .....	98 Y (LS1) .....	1	12167120
534.	N.S.		<b>CLIP, HARNESS KNOCK</b> SENSOR JUMPER (PART OF 536)	97 Y (LS1) .....	2	
	N.S.		<b>CLIP, HARNESS KNOCK</b> SENSOR JUMPER (PART OF 536)	98 Y (LS1) .....	2	

535.	N.S.		GROMMET, KNOCK SENSOR (PART OF 536)	97	Y (LS1)	2	12554408
	N.S.		GROMMET, KNOCK SENSOR (PART OF 536)	98	Y (LS1)	2	12554408
536.	1-M23	2.480	WIRE, KNOCK SEN (INCLS 532, 533, 534, 535)	97	Y (LS1)	1	15320549
	1-M23	2.480	WIRE, KNOCK SEN (USE W/KNOCK SENSOR STAMPED 10456222 & W/INDEX TAB ON CONNECTOR TO SENSOR) (INCLS 532, 533, 534, 535) (FOR 2ND DES SEE 15320925)	98	Y (LS1) (1ST DES)	1	15320549
	1-M23	2.480	WIRE, KNOCK SEN (USE W/KNOCK SENSOR STAMPED 10456603 & CONNECTOR W/O INDEX TAB) (INCLS 532, 533, 534, 535) (FOR 1ST DES SEE 15320549)	98	Y (LS1) (2ND DES)	1	15320925
537.	1-E8	1.097	BOLT, ENG COOL AIR BL PIPE (M6X1.0X30) (8.900)	97-98	Y (LS1)	4	11514008
538.	1-E8	1.097	PIPE, ENG COOL AIR BL (INCLS 539, 541, 542)	97-98	Y (LS1)	1	12557538
539.		8.948	CLAMP, SPRG BAND, 14.2MM, 9/16 OD HOSE, POR (CLAMP, ENG COOL AIR BL HOSE) (PART OF 538)	97-98		AR	25526358
540.	1-E8	1.097	HOSE, ENG COOL AIR BL (PART OF 538)	97-98	Y (LS1)	1	12556443
541.		8.800	LUBRICANT, RUBBER 5 GAL (ENG COOL AIR BL HOSE)	97-98	Y (LS1)	AR	12345884
542.	1-E8	1.097	SEAL, ENG COOL AIR BL PIPE (O RING) (PART OF 538)	97-98	Y (LS1)	4	12551933
		8.800	LUBRICANT, RUBBER 5 GAL (NOTE:APPLY TO SEAL (542))	97-98	Y (LS1)	AR	12345884
543.	1-M22	2.383	SENSOR, CM/SHF POSN (INCL 545) (AC-DELCO #213-355)	97-98	Y (LS1)	1	12560229
	N.S.		CONNECTOR, SEN-CM/SHF POSN				
544.		8.900	BOLT, HFH, M8X1.25X20, 17THD, 18OD (BOLT, CR/SHF POSN SEN)	97-98		1	11515756
545.	N.S.		SEAL, CM/SHF POSN SEN HOLE PLUG (O RING) (PART OF 543)			1	
546.	N.S.		CONNECTOR, PCV CR/CASE VENT (PART OF 554)		Y (LS1)	1	
547.	N.S.		CONNECTOR, PCV FRESH AIR TO CR/CASE (PART OF 573)		Y	1	
548.	N.S.		CONNECTOR, PURGE PORT (PART OF 554)		Y	1	
549.	N.S.		CONNECTOR, VAPOR VENT TUBE (PART OF 573)		Y	1	
554.	1-N21	3.265	MANIFOLD, INT (SERV) (SEE GROUP 3.000 "FUEL RAIL, INTAKE MANIFOLD, THROTTLE BODY "FOR DETAIL ILLUSTRATED VIEW.) (INCLS 546, 548, 568)	97-98	Y (LS1)	1	12557846

555.	1-N21	3.270	GASKET KIT, INT MANIF (CONTAINS 8 GASKETS) .....	97-98	Y (LS1) .....	1	12533587
558.	1-N21	3.145	TUBE, EVAP EMIS CNSTR PURGE (FROM VALVE TO THROTTLE BODY) .....	97-98	Y (LS1) .....	1	12552222
559.	1-N20	3.130	VALVE, EVAP EMIS CNSTR PURGE SOL (AC-DELCO #214-641) .....	97-98	Y (LS1) .....	1	1997278
560.	1-N20	3.130	BRACKET, EVAP EMIS CNSTR PURGE SOL VLV .....	97-98	Y (LS1) .....	1	12560884
561.	1-N21	3.145	HARNES, EVAP EMIS CNSTR PURGE (INCLS 563, 564) .....	97-98	Y (LS1, MM6) .....	1	12557008
	1-N21	3.145	HARNES, EVAP EMIS CNSTR PURGE (INCLS 563, 564) .....	97-98	Y (LS1, M30) .....	1	12557008
562.	1-E15	1.762	RETAINER, PCV VLV PIPE .....	97-98	Y (LS1) .....	2	12557340
563.	1-N21	3.140	SWITCH, EVAP EMIS CNSTR PURGE VAC .....	97-98	Y (LS1) .....	1	12556798
		N.S.	CONNECTOR, SW-EVAP EMIS CNSTR PURGE VAC DIAGN .....				
564.		N.S.	CONNECTOR, EVAP EMIS CNSTR PURGE HOSE (PART OF 561, 563) .....				
565.	1-E15	1.762	PIPE, PCV VLV (INCLS 566) .....	97-98	Y (LS1) .....	1	12558673
	1-E15	1.762	PIPE, PCV VLV (VLV IN MIDDLE OF HARNES) (INCLS 566) .....	98	Y (LS1) .....	1	12560692
566.	1-E14	1.745	VALVE, PCV (PART OF 565) (AC-DELCO #CV948C) .....	97-98	Y (LS1) .....	1	25179136
567.	1-N24	3.682	SENSOR, MAP (W/SEAL) (AC-DELCO #213-331) .....	97-98	Y (LS1) .....	1	16212460
	1-N24	3.682	CONNECTOR, SEN-MAP (GRAY) (3-WAY F) .....	97-98	Y (LS1) .....	1	12129946
568.		N.S.	PLUG, MAP SEN HOLE (PART OF 554) (INCLS 569) .....				
569.		N.S.	SEAL, MAP SEN HOLE PLUG (O RING) (PART OF 568) .....				
570.	1-N22	3.330	RAIL, SEQ M/PORT F/INJN FUEL (SEE GROUP 3.000 "RAIL" FOR DETAIL ILLUSTRATED VIEW.) (AC-DELCO #12556705) .....	97-98	Y (LS1) .....	1	12556705
571.	1-N22	3.330	STUD, F/INJN FUEL RL (HFH 6X1X18.5X14 W/ADH, 6X1X14, 39.1 OAL, 14.2 OD, 9.8, 7114M) (AC-DELCO #12554211) .....	97-98	Y (LS1) .....	4	12554211
572.	1-N22	3.336	SEAL, THROT BODY .....	97-98	Y (LS1) .....	1	12552542
573.	1-N22	3.335	BODY, THROT (SEE GROUP 3.000 "BODY, THROT" FOR DETAIL ILLUSTRATED VIEW. (INCLS 547, 549) (AC-DELCO #17113564) .....	97-98	Y (LS1) .....	1	17113564
574.	1-N22	3.336	BOLT, THROT BODY (M6X1.0X30) (8.900) .....	97-98	Y (LS1) .....	3	11514008
575.	1-N22	3.330	BRACKET, F/INJN FUEL RL (ON INTAKE MANIFOLD BEHIND FUEL RAIL-STOP) .....	97-98	Y (LS1) .....	LH	12556074
576.	1-N21	3.275	BOLT, INT MANIF (W/FLAT WASHER) (M6X1.0X21.8, 13.6 OD, GM500M, ZF, MACH, ADHES) .....	97-98	Y (LS1) .....	10	12552344

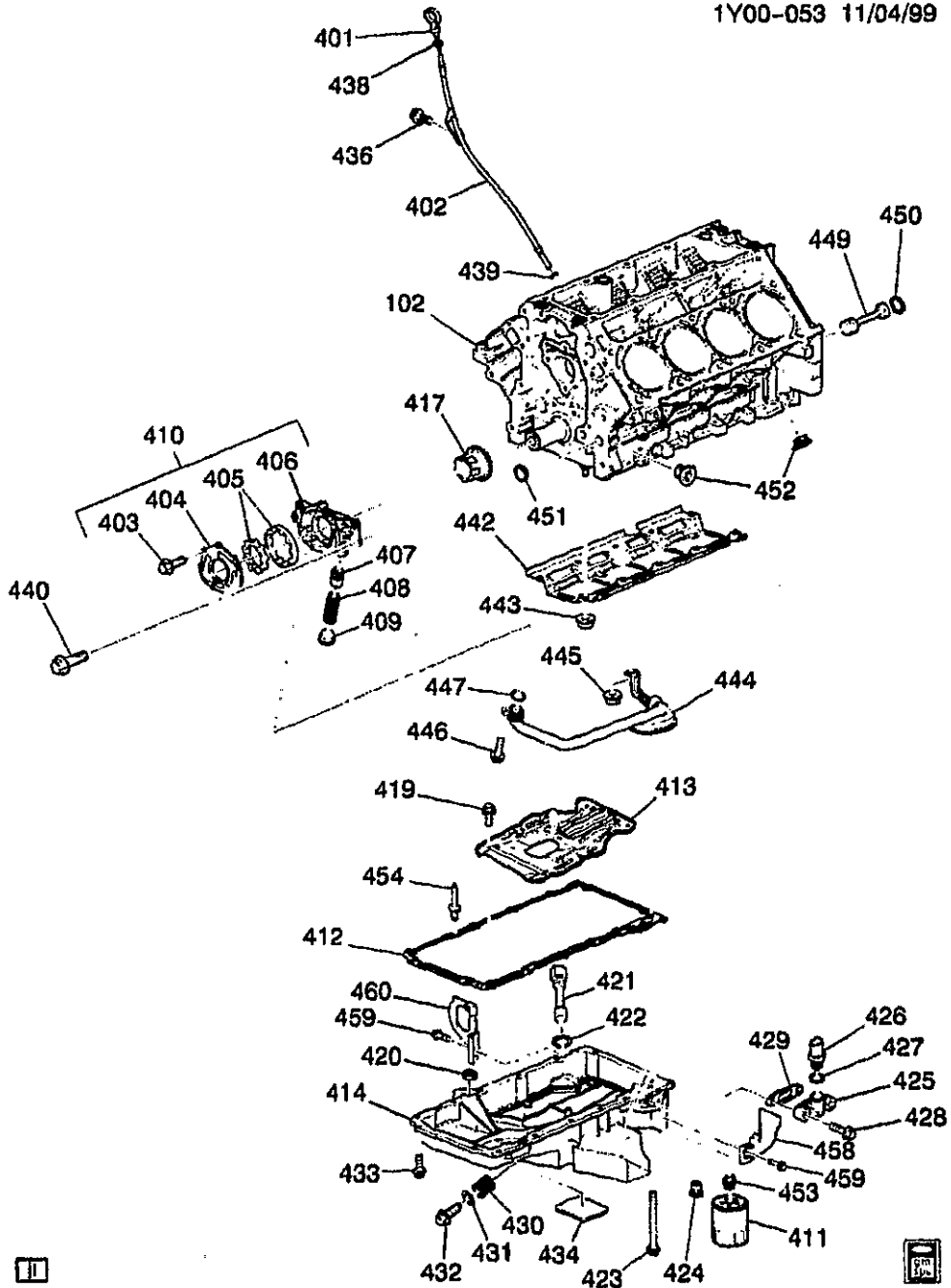
577.	1-N21	3.270	SEAL, INT MANIF .....	97-98	Y (LS1) .....	2	12560251
578.	1-N22	3.330	TUBE, FUEL PRESS REG VAC ..	97-98	Y (LS1) .....	1	12557155
589.	1-N22	3.330	BRACKET, F/INJN FUEL RL (90 DEG "S" TYPE BRKT) (GROUND STRAP)) .....	97-98	Y (LS1) .....	RH	12560384

**SERVICE KITS**

1.	1-D13	0.289	GASKET KIT, CYL HD (INCLS KIT CONTAINS: GASKETS FOR CYLINDER HEAD, INTAKE AND EXHAUST MANIFOLDS, SEAL-ENG COOL AIR BL PIPE (O-RING) .....	97-98	Y (LS1) .....	1	12369018
----	-------	-------	--	-------	---------------	---	----------

**RPO DEFINITIONS**

- JAG - BRAKE PROVISIONS ABS LOCATION
- LS1 - ENGINE GAS, 8 CYL, 5.7L, SFI, ALUMINUM ENGINE
- MM6 - TRANSMISSION MAN 6 SPD, BORG WARNER, 85MM, 1ST 2.66, 6TH 0.50, O/D
- M30 - TRANSMISSION, AUTOMATIC 4 SPEED, 4L60E, ELECTRONIC
- VD1 - PROVISION OPTIONS, EUROPE (EXPORT)



**1997-1999 Y ENGINE ASM-5.7L V8 PART 4 OIL PUMP, PAN & RELATED PARTS (LS1/5.7G)**

1Y00-053

102.	N.S.	BLOCK, ENG	.....	.....	.....
401.	1-E13	1.516	INDICATOR, OIL LVL	98 Y (LS1)	1 12558988
	1-E13	1.516	INDICATOR, OIL LVL (O/PAN CAST #12557843, 1ST DES SEE 12559524)	97 Y (LS1) (2ND DES)	1 12558988
	1-E13	1.516	INDICATOR, OIL LVL (O/PAN CAST #12557984, 2ND DES SEE 12558988)	97 Y (LS1) (1ST DES)	1 12559524

1-E13	1.516	INDICATOR, OIL LVL (1-PC O/P; LENGTH FROM TIP TO 1ST BLADE WAVE IS 51.0 MM, STMP 12558988 ; 2ND DES SEE 12562468.) .....	99 Y (LS1) (1ST DES) ....	1	12558988
1-E13	1.516	INDICATOR, OIL LVL (2-PC O/P; LENGTH FROM TIP TO 1ST BLADE WAVE IS 56.6MM, STMP 12562468 1ST DES SEE 12558988) .....	99 Y (LS1) (2ND DES) ....	1	12562468
402.	1-E13	1.516	TUBE, OIL LVL IND (INCL #439) .	97-99 Y (LS1) .....	1 12556405
403.		8.977	SCREW, M6X1X20, 12.7 OD, 6202M, PO (O/PMP DRV SHF) (PART OF 410) .....	97-99 (LS1) .....	7 11514300
404.		N.S.	COVER, O/PMP (PART OF 410) ..	.....	
405.		N.S.	GEAR SET, O/PMP (PART OF 410) .....	.....	
406.		N.S.	HOUSING, O/PMP (PART OF 410) .....	.....	
407.		N.S.	VALVE, OIL PRESS RLF (PART OF 410) .....	.....	
408.		N.S.	SPRING, OIL PRESS RLF VLV (PART OF 410) .....	.....	
409.		N.S.	PLUG, OIL PRESS RLF VLV BORE (PART OF 410) .....	.....	
410.	1-E14	1.652	PUMP, OIL (INCLS 403, 404, 405, 406, 407, 408, 409) .....	97-99 Y (LS1) .....	1 12563964
411.	1-E16	1.836	FILTER, OIL (PF44) (AC-DELCO #PF44) .....	97-99 Y (LS1) .....	1 25010633
	1-E16	1.836	FILTER, OIL (AC-DELCO #SPF44) .....	97-99 Y (LS1) .....	1 25329388
	1-E16	1.836	FILTER, OIL (AC-DELCO #UPF44) .....	97-99 Y (LS1) .....	1 25329388
412.	1-E13	1.429	GASKET, OIL PAN (UPPER TO BLK) (PART OF 414) .....	97-99 Y (LS1) .....	1 12558760
413.	1-E13	1.430	BAFFLE, OIL PAN (PART OF 414)	97-99 Y (LS1) .....	1 12558246
414.	1-E12	1.426	PAN, OIL (GULL-WING OIL PAN) (INCLS #412, 413, 419, 420, 421, 422, 423, 424, 425, 426, 427, 428, 429, 430, 431, 432, 433, 434, 454) .....	97-99 Y (LS1) .....	1 12561828
417.	1-D19	0.728	SPROCKET, CR/SHF .....	97-99 Y (LS1) .....	1 12556582
419.	1-E13	1.430	BOLT, OIL PAN BFL (BOLT, OIL PAN BFL) (ALSO PART OF 414) (14,865) .....	97 Y (LS1) .....	8 10258914
	1-E13	1.430	BOLT, OIL PAN BFL (BOLT, OIL PAN BFL) (ALSO PART OF 414) (14,865) .....	98-99 Y (LS1) .....	8 10258914
420.	1-E12	1.428	PLUG, OIL PAN HOLE (16.33X6.6X1, 38 BRASS) .....	97-99 Y (LS1) .....	4 12558663
421.	1-E13	1.516	SWITCH, ENG OIL LVL IND (CAUTION: ( APPLY MOTOR OIL TO THREADS-DO NOT EXCEED INSTALLATION**TORQUE) (INCLS 422) (PART OF 414) .....	97-99 Y (LS1) .....	1 24507190
		N.S.	CONNECTOR, SEN-ENG OIL LVL .....	.....	

422.		N.S.	SEAL, ENG OIL LEVER IND (PART OF 421, 414)				
423.	1-E12	1.428	BOLT, OIL PAN (PART OF 414) (M6X1.0X136, 85 THD, 14.2 OD, 10.9, GM7114M, MACH)	97	Y (LS1)	2	12554890
	1-E12	1.428	BOLT, OIL PAN (PART OF 414) (M6X1.0X136, 85 THD, 14.2 OD, 10.9, GM7114M, MACH)	98-99	Y (LS1)	2	12554890
424.		1.837	VALVE, OIL FLTR BYPASS	97-99	Y (LS1)	1	25014051
425.	1-E12	1.426	COVER, OIL PAN (PART OF 414)	97-99	Y (LS1)	1	12551587
426.	1-E15	1.800	SENSOR, ENG OIL T/GA (INCLS #427) (PART OF 414) (3.682) (AC-DELCO #25037062)	97-98	Y (LS1)	1	25037062
	1-E15	1.800	SENSOR, ENG OIL T/GA (INCLS #427) (PART OF 414) (3.682) (AC-DELCO #213-794)	99	Y (LS1)	1	15369305
	1-E15	1.800	CONNECTOR, SEN-ENG OIL TEMP GA (BLACK) (2-WAY F W/LEADS) (2.383) (AC-DELCO #PT169)	97	Y (LS1)	1	12101899
	1-E15	1.800	CONNECTOR, SEN-ENG OIL TEMP GA (BLACK) (2-WAY F W/LEADS) (2.383) (AC-DELCO #PT169)	98-99	Y (LS1)	1	12101899
427.		N.S.	GASKET, ENG OIL TEMP (PART OF #414)				
428.	1-E12	1.428	BOLT, OIL PAN CVR (PART OF #414) (M6X1X30, POR 9.8) (8.900)	97	Y (LS1)	2	11516425
	1-E12	1.428	BOLT, OIL PAN CVR (PART OF #414) (M6X1X30, POR 9.8) (8.900)	98-99	Y (LS1)	2	11516425
429.	1-E13	1.429	GASKET, OIL PAN CVR (PART OF #414) (SIDE OF OIL PAN LOCATION BY SENSOR, ENG COOL TEMP/-COVER)	97-99	Y (LS1)	1	12553210
430.		N.S.	INSERT, OIL PAN DRN PLUG THD (PART OF 414)	97	Y (LS1)	1	
		N.S.	INSERT, OIL PAN DRN PLUG THD (PART OF 414)	98	Y (LS1)	1	
		N.S.	INSERT, OIL PAN DRN PLUG THD (PART OF 414)	99	Y (LS1)	1	
431.	1-E13	1.456	SEAL, OIL PAN DRN PLUG (O RING) (PART OF #414)	97-99	Y (LS1)	1	3536966
432.	1-E13	1.453	PLUG, OIL PAN DRN (PART OF 414) (M12X1.75-6G THD, 44.45MM LNG, 15MM FLG HEX HD) (W/MAGNET & SEAL)	97-99	Y (LS1)	1	24100042
433.	1-E12	1.428	BOLT, OIL PAN (PART OF 414) (HFH M8X1.25X30, 23.85 THD, 10.9, PZ GM7114M, MACH) (8.900)	97	Y (LS1)	13	12551187
	1-E12	1.428	BOLT, OIL PAN (PART OF 414) (HFH M8X1.25X30, 23.85 THD, 10.9, PZ GM7114M, MACH) (8.900)	98-99	Y (LS1)	13	12551187
434.		N.S.	LABEL, OIL PAN IDENT (PART OF 414)	97	Y (LS1)	1	12558686



					1Y00-053
		N.S.	LABEL, OIL PAN IDENT (PART OF 414) .....	98-99 Y (LS1) .....	1 12558886
436.	1-E13	1.516	BOLT, OIL LVL IND TUBE (6X1X12.15) (3.602) .....	97-99 Y (LS1) .....	1 24505098
438.	1-E13	1.516	SEAL, OIL LVL IND (O RING) (PART OF #401) (BLACK) (6.07MM ID, 17.8MM DIA) .....	97-99 Y (LS1) .....	1 24504091
439.		N.S.	SEAL, OIL LVL IND TUBE O-RING (PART OF #402) .....		
440.	1-E14	1.652	BOLT, O/PMP (HFH M8X1.25X30, 23.85 THD, 10.9, PZ GM7114M, MACH) (8.900) .....	97 Y (LS1) .....	4 12551187
	1-E14	1.652	BOLT, O/PMP (HFH M8X1.25X30, 23.85 THD, 10.9, PZ GM7114M, MACH) (8.900) .....	98-99 Y (LS1) .....	4 12551187
442.	1-E13	1.430	DEFLECTOR, CR/SHF OIL .....	97-99 Y (LS1) .....	1 12558189
443.	1-D17	0.648	NUT, CR/SHF OIL DFL (8.917) ..	97-99 Y (LS1) .....	9 11517031
444.	1-E14	1.656	SCREEN, O/PMP (W/SUC PIPE) ..	97-99 Y (LS1) .....	1 12558750
445.	1-E14	1.656	NUT, O/PMP SUC PIPE (8.917) ..	97-99 Y (LS1) .....	1 11517031
446.		8.900	BOLT/SCREW, HFH M6X1X20, 9.8, 7114M, DOG PT, 14.2 OD (BOLT, O/PMP SUC PIPE) .....	97 Y (LS1) .....	1 11516398
		8.900	BOLT/SCREW, HFH M6X1X20, 9.8, 7114M, DOG PT, 14.2 OD (BOLT, O/PMP SUC PIPE) .....	98-99 Y (LS1) .....	1 11516398
447.	1-E14	1.724	SEAL, O/PMP (O RING) .....	97-99 Y (LS1) .....	1 12557752
449.	1-E14	1.531	PLUG, ENG BLK OIL GAL (INCLS 450) .....	97 Y (LS1) .....	1 12558340
	1-E14	1.531	PLUG, ENG BLK OIL GAL (INCLS 450) .....	98-99 Y (LS1) .....	1 12558340
450.		N.S.	SEAL, ENG BLK OIL GAL PLUG (O RING) (PART OF 449) .....		
451.		8.970	PLUG, CUP 5/8 HOLE CORROSION RESISTANT STL PL (PLUG, ENG BLK OIL GAL) .....	97 Y (LS1) .....	1 9427693
		8.970	PLUG, CUP 5/8 HOLE CORROSION RESISTANT STL PL (PLUG, ENG BLK OIL GAL) .....	98-99 Y (LS1) .....	1 9427693
452.	1-E14	1.531	PLUG, ENG BLK OIL GAL (M16X1.5X6G) (STEEL, ZIVC 4345M, USE T/W SEALER 12346004 (OR EQUIV)) (0.034) ..	97 Y (LS1) .....	2 21007339
	1-E14	1.531	PLUG, ENG BLK OIL GAL (M16X1.5X6G) (STEEL, ZIVC 4345M, USE T/W SEALER 12346004 (OR EQUIV)) (0.034) ..	98-99 Y (LS1) .....	2 21007339
453.	1-E16	1.955	FITTING, OIL FLTR .....	97-99 Y (LS1) .....	1 12552357
454.		N.S.	RIVET, OIL PAN GSKT (PART OF 414) (POP-OFF TYPE) .....		
458.	1-N26	4.105	COVER, TRANS (AC-DELCO #12559501) .....	97-99 Y (LS1) .....	LH 12559501
459.		8.977	SCREW, M6X1X20 (RH & LH-SIDE) .....	97-99 .....	2 10077361
460.	1-N26 1-N26	4.105	COVER, TRANS (AC-DELCO #12562042) .....	97-99 Y (LS1) .....	RH 12562042

**RPO DEFINITIONS**

LS1 - ENGINE GAS, 8 CYL, 5.7L, SFI, ALUMINUM ENGINE



1-D11	0.000 A	ENGINE, GASOLINE (GOODWRENCH) (NEW) (REFER TO NOTE #6 IN CATALOG TEXT) (INCL 102, 107, 110, 111, 112, 113, 114, 115, 116, 118, 120, 131, 135, 136, 137, 138, 139, 140, 149, 150, 152, 154, 155, 156) .....	01 Y (LS1) .....	1 88894056
1-D11	0.000 A	ENGINE, GASOLINE (GOODWRENCH) (NEW) (REFER TO NOTES 3, 3A IN CATLG TEXT) (INCL 102, 107, 110, 111, 112, 113, 114, 115, 116, 118, 120, 131, 135, 136, 137, 138, 139, 140, 149, 150, 152, 154, 155, 156) ....	99 Y (LS1) .....	1 12457660
1-D11	0.000 A	ENGINE, GASOLINE (GOODWRENCH) (REFER TO NO. 3 #6 IN CATALOG TEXT) (INCL 102, 107, 110, 111, 112, 113, 114, 115, 116, 118, 120, 131, 135, 136, 137, 138, 139, 140, 149, 150, 152, 154, 155, 156) .....	01 Y (LS6) .....	1 88894057
1-D11	0.000 A	ENGINE, GASOLINE (GOODWRENCH) (REFER TO NOTES #3, #3A IN CATLG TEXT) (INCL 102, 107, 110, 111, 112, 113, 114, 115, 116, 118, 120, 131, 135, 136, 137, 138, 139, 140, 149, 150, 152, 154, 155, 156) .....	97-98 Y (LS1) .....	1 12455109
102.	N.S.	BLOCK, ENG .....	.....	
103.	1-E15	1.800	01 Y (LS6) .....	1 12562230
		8.800	97-01 .....	AR 12378190
104.		8.900	97-01 .....	1 11515756
105.	1-M22	2.383	97-98 Y (LS1) .....	1 12560229
	1-M22	2.383	99-01 Y (LS1) .....	1 12561211
	1-M22	2.383	01 Y (LS6) .....	1 12561211
		N.S.	.....	
106.		N.S.	Y (LS1) .....	
107.	1-E14	1.531	97 Y (LS1) .....	1 12558340
	1-E14	1.531	98-00 Y (LS1) .....	1 12558340
	1-E14	1.531	01 Y (LS1, LS6) .....	1 12558340
108.		N.S.	.....	1
110.		N.S.	.....	
111.		0.616	01 .....	
	1-D16	0.616	97-00 Y (LS1) .....	8 12523924
	1-D16	0.616	01 Y (LS1) .....	8 12493712
112.		N.S.	.....	
113.	1-D16	0.603	97-01 Y (LS1) .....	8 12568734

						1Y00-050
	1-D16	0.603	ROD, CONN (INCLS 110, 116) ...	01 Y (LS6)		8 12568734
114.	1-D17	0.629	PISTON, (W/PIN) (INCL 112) (0.250MM O.S.)	97-00 Y (LS1)		8 12456109
	1-D17	0.629	PISTON, (W/PIN) (INCL 112) (STD)	97-00 Y (LS1)		8 12456108
	1-D17	0.629	PISTON, (W/PIN) (INCL 112) '3TD)	01 Y (LS1)		8 88894011
	1-D17	0.629	PISTON, (W/PIN) (INCL 112) (STD)	01 Y (LS6)		8 88894011
115.		0.643	RING KIT, PSTN	01		
	1-D17	0.643	RING KIT, PSTN (.250MM O.S.)	97-00 Y (LS1)		8 12453325
	1-D17	0.643	RING KIT, PSTN (STD) (STD)	97-00 Y (LS1)		8 12533556
116.	1-D17	0.623	BOLT, CONN ROD (ALSO PART OF 113) (M9X1X40.5, 15THD, 8135) (STELCO (NO COLLAR ON SHAFT) ;TORQUE 20 N-M & 65 DEGREES)	97-98 Y (LS1)		16 10239136
	1-D17	0.623	BOLT, CONN ROD (ALSO PART OF 113) (M9X1X43) (HOLLINGSWORTH) (FERRULE ON NECK)	97-01 Y (LS1)		16 12568069
	1-D17	0.623	BOLT, CONN ROD (ALSO PART OF 113) (M9X1X43) (HOLLINGSWORTH) (FERRULE ON NECK)	01 Y (LS6)		16 12568069
118.		8.939	PIN, DOWEL STRAIGHT 5/8 DIA 1 3/16 LG (TRANS LOC)	97-01		2 12338119
120.	1-D14	0.293	PIN, CYL HD LOC (1/2 X 5/8 O.D.)	97-00 Y (LS1)		4 12558081
	1-D14	0.293	PIN, CYL HD LOC	01 Y (LS1)		4 12570326
	1-D14	0.293	PIN, CYL HD LOC	01 Y (LS6)		4 12570326
122.		8.800	SEALANT, PIPE W/TEFLON (HEAVY BODY) (SEALER, OIL PAN AT FOUR CORNER (ANAEROBIC GASKET SEALANT))	97-01 Y		AR 12378190
124.	1-D18	0.669	BOLT, FLYWHL (HFH, M11X1.5X23.5, 21 THD, 22 O.D., 10.9, GM7114M, MACH, W/SEALANT)	97 Y (LS1)		6 12553332
	1-D18	0.669	BOLT, FLYWHL (HFH, M11X1.5X23.5, 21 THD, 22 O.D., 10.9, GM7114M, MACH, W/SEALANT)	98-00 Y (LS1)		6 12553332
	1-D18	0.669	BOLT, FLYWHL (HFH, M11X1.5X23.5, 21 THD, 22 O.D., 10.9, GM7114M, MACH, W/SEALANT)	01 (LS1, LS6)		6 12553332
126.		8.939	PIN, DOWEL, M6X20, PL (FLYWHL LOC) (PART OF 129) ...	97-01		2 11505920
127.	1-D19	0.673	GEAR, STRTR DRVN RING (PART OF #129 OR #133)	97 Y (LS1)		1 460583
	1-D19	0.673	GEAR, STRTR DRVN RING (PART OF #129 OR #133)	98-00 Y (LS1)		1 460583
	1-D19	0.673	GEAR, STRTR DRVN RING (PART OF #129 OR #133)	01 Y (LS1)		1 460583
128.		N.S.	PLATE, CLU PRESS (W/CVR & CLU REL BRG) (PART OF 129) ...			