



---

# ***Parts Manual***

## ***Models***

### ***TH336, TH337, TH406 & TH407***

S/N TDE00100 & After  
S/N TDF00100 & After  
S/N TBX00100 & After  
S/N TBY00100 & After

**31200369**

*Revised  
April 13, 2010*





## EFFECTIVITY PAGE

February 15, 2008 - A - Original Issue of Manual

April 8, 2008 - B - Revised manual.

August 15, 2008 - C - Revised manual. TH414 information removed and added to the 31200488 Parts Manual.

June 18, 2009 - D - Revised Manual

March 12, 2010 - E - Revised Manual

April 13, 2010 - F - Revised Manual

# EFFECTIVITY PAGE

# TABLE OF CONTENTS

FIGURE NO.	TITLE	PAGE NO.
<b>SECTION 1 –</b>		
<b>FRAME &amp; ATTACHING PARTS</b> .....		<b>1-1</b>
1-1	Frame Shrouding & Trim .....	1-2
1-2	Frame Shrouding & Trim - Engine Pod Installation .....	1-6
1-3	Axle & Wheel Mounting .....	1-8
1-4	Retrieval Hitch .....	1-12
1-5	Pin Hitch, Auto Hitch & Piton Frame-Auto Hitch .....	1-14
1-6	Pin Hitch - Cuna C & Cuna D2 .....	1-18
1-7	Hydraulic Hitch .....	1-22
1-8	Fixed Position Hitch .....	1-26
 <b>SECTION 2 –</b>		
<b>BOOM</b> .....		<b>2-1</b>
2-1	Boom Assembly Components .....	2-2
2-2	First Boom Section Assembly .....	2-6
2-3	Second Boom Section .....	2-8
2-4	Quick Coupler & Quick Disconnect Installation .....	2-10
2-5	JD Coupler Installation .....	2-14
2-6	Boom Prop Installation .....	2-16
2-7	JCB Coupler, Manual & Hydraulic .....	2-18
2-8	Manitou Coupler Installation, Manual & Hydraulic .....	2-22
 <b>SECTION 3 –</b>		
<b>ATTACHMENTS</b> .....		<b>3-1</b>
3-1	Carriage Assembly .....	3-2
3-2	Forks .....	3-4
3-3	Side Shift Carriage .....	3-6
3-4	Rotate/Side Tilt Carriage .....	3-8
3-5	General Purpose Bucket .....	3-10
3-6	Multi-Purpose Bucket .....	3-12
3-7	Material Handling Bucket .....	3-14
3-8	Grapple Bucket .....	3-16
3-9	Truss Boom .....	3-18
3-10	Lifting Hook .....	3-20
3-11	50 in & 72 in Rotate/Side Tilt Carriage Assembly .....	3-22
3-12	50 in & 72 in Carriage Assembly .....	3-24
3-13	100 Degree Swing Carriage .....	3-26
 <b>SECTION 4 –</b>		
<b>ENGINE &amp; ATTACHING PARTS</b> .....		<b>4-1</b>
4-1	Engine & Transmission Installation .....	4-2
4-2	CAT Engine .....	4-6
4-3	Fuel Line Installation .....	4-10
4-4	Fuel Tank Installation .....	4-14

# TABLE OF CONTENTS

FIGURE NO.	TITLE	PAGE NO.
4-5	Radiator Installation . . . . .	4-16
4-6	Air Cleaner Installation . . . . .	4-18
4-7	Muffler Installation . . . . .	4-22
4-8	Block Heater Installation . . . . .	4-24
4-9	Reversing Fan - Hydraulic . . . . .	4-26
4-10	Reversing Fan - Pneumatic . . . . .	4-30
 <b>SECTION 5 –</b>		
<b>DRIVE TRAIN . . . . .</b>		<b>5-1</b>
5-1	Front Axle Assembly . . . . .	5-2
5-2	Front Axle - Axle Housing . . . . .	5-4
5-3	Front Axle - Swivel Housing & Steering Cylinder . . . . .	5-6
5-4	Front Axle - Bevel Gear Set . . . . .	5-8
5-5	Front Axle - Differential . . . . .	5-10
5-6	Front Axle - Double U-Joint . . . . .	5-12
5-7	Front Axle - Brakes . . . . .	5-14
5-8	Front Axle - Wheel Hub . . . . .	5-16
5-9	Front Axle - Final Reduction . . . . .	5-18
5-10	Front Axle - Brake Caliper . . . . .	5-20
5-11	Rear Axle Assembly . . . . .	5-22
5-12	Rear Axle - Axle Housing . . . . .	5-24
5-13	Rear Axle - Swivel Housing & Steering Cylinder . . . . .	5-26
5-14	Rear Axle - Bevel Gear Set . . . . .	5-28
5-15	Rear Axle - Differential . . . . .	5-30
5-16	Rear Axle - Double U-Joint . . . . .	5-32
5-17	Rear Axle - Wheel Hub . . . . .	5-34
5-18	Rear Axle - Final Reduction . . . . .	5-36
5-19	Drive Shaft Installation . . . . .	5-38
5-20	Remote Grease System Installation . . . . .	5-40
5-21	Tire & Wheel Installation . . . . .	5-42
 <b>SECTION 6 –</b>		
<b>CAB . . . . .</b>		<b>6-1</b>
6-1	Cab Installation . . . . .	6-2
6-2	Cab Assembly . . . . .	6-6
6-3	Interior Installation . . . . .	6-12
6-4	Cab Door & Window Installation . . . . .	6-14
6-5	Wiper System . . . . .	6-18
6-6	Cab Covers & Cab Guards . . . . .	6-20
6-7	Vinyl Mechanical Suspension Seat . . . . .	6-22
6-8	Cloth Mechanical Suspension Seats . . . . .	6-24
6-9	Cloth Pneumatic Suspension Seats . . . . .	6-26
6-10	Cab Heater/AC Components . . . . .	6-28
6-11	Engine Heater/AC Components . . . . .	6-30
6-12	Heater/AC Unit & Heater/AC Unit Guard Shield . . . . .	6-34

# TABLE OF CONTENTS

FIGURE NO.	TITLE	PAGE NO.
<b>SECTION 7 –</b>		
<b>CONTROLS</b> .....		<b>7-1</b>
7-1	Joystick .....	7-2
7-2	Steering Column .....	7-4
7-3	Accelerator Pedal .....	7-6
7-4	Mechanical Handbrake .....	7-8
7-5	Brake Installation .....	7-10
<b>SECTION 8 –</b>		
<b>HYDRAULIC CIRCUITS</b> .....		<b>8-1</b>
8-1	Supply Circuit .....	8-2
8-2	Dump Circuit .....	8-6
8-3	Steer Select Valve .....	8-10
8-4	Service Brake .....	8-12
8-5	Lift Cylinder .....	8-14
8-6	Extend/Retract .....	8-20
8-7	Tilt & Tilt Compensating Cylinder .....	8-22
8-8	Auxiliary Hydraulics .....	8-24
8-9	Rear Auxiliary Hydraulics w/Trailer Brakes .....	8-26
<b>SECTION 9 –</b>		
<b>HYDRAULIC COMPONENTS</b> .....		<b>9-1</b>
9-1	Lift Cylinder .....	9-2
9-2	Extend/Retract Cylinder .....	9-4
9-3	Tilt Cylinder .....	9-6
9-4	Compensation Cylinder .....	9-8
9-5	Quick Coupler Cylinder .....	9-10
9-6	Main Control Valve .....	9-12
9-7	Piston Pump .....	9-16
9-8	Steering Select Valve .....	9-18
9-9	Hydraulic Tank Installation .....	9-20
9-10	Diverter Valve .....	9-22
9-11	Combination Valve .....	9-26
<b>SECTION 10 –</b>		
<b>ELECTRICAL</b> .....		<b>10-1</b>
10-1	Engine & Transmission Electronic Installation .....	10-2
10-2	Cab Electronic Installation .....	10-6
10-3	Cab Switches .....	10-10
10-4	Boom & Frame Electronic Installation .....	10-12
10-5	Worklight & License Plate Light Installations .....	10-16
10-6	Driving Light Installation .....	10-20
10-7	Engine Harness .....	10-24
10-8	Cab Floor Harness .....	10-28

# TABLE OF CONTENTS

<b>FIGURE NO.</b>	<b>TITLE</b>	<b>PAGE NO.</b>	
10-9	Cab Roof Harness .....	10-34	
10-10	Transmission Harness .....	10-36	
10-11	Front Frame Harness .....	10-38	
10-12	Rear Frame Harness .....	10-40	
10-13	Boom Harness .....	10-42	
10-14	Boom Worklight Harness & Headlight Harness .....	10-44	
10-15	Tow Hitch Harness .....	10-46	
10-16	Boom Suspension Cab Components .....	10-48	
<b>SECTION 11 –</b>			
	<b>DECALS .....</b>	<b>11-1</b>	
11-1	Cab & Frame Decals .....	11-2	
11-2	Boom Decals .....	11-8	
<b>SECTION 12 –</b>			
	<b>MAINTENANCE PARTS LIST .....</b>	<b>12-1</b>	
<b>SECTION 13 – PART NUMBER INDEX .....</b>			<b>13-1</b>

# SMCS CODES - TELEHANDLER

## 1350 ENGINE COOLING SYSTEM

1351 RADIATOR & OIL COOLER  
1353 RADIATOR  
1354 EXPANSION TANK  
1360 FAN GUARD  
1374 HYDRAULIC OIL COOLER  
1375 TORQUE CONVERTER / TRANSMISSION OIL COOLER  
1380 COOLANT HOSE / LINES  
1381 RADIATOR AND GUARD  
1382 RADIATOR CAP  
1384 ENGINE COOLANT HEATER  
1386 HYDRAULIC FAN MOTOR  
1387 HYDRAULIC FAN PUMP  
1395 ENGINE COOLANT

## 1400 ELECTRICAL SYSTEM

1401 BATTERY  
1402 BATTERY CABLE  
1408 WIRING HARNESS  
1416 START SWITCH  
1417 FUSE / CIRCUIT BREAKER PANEL  
1428 BACKUP LIGHT(S)  
1429 LIGHT(S)  
1430 DIRECTIONAL LIGHT  
1431 BEACON LIGHT(S)  
1432 STOP /LIGHT / TAILLIGHT  
1434 CAB LIGHT  
1434 FLOODLIGHT

## OTHER ENGINE COMPONENTS

1801 ENGINE SOUND SUPPRESSION  
1802 REFRIGERANT COMPRESSOR  
1805 REFRIGERANT CONDENSER  
1807 AIR CONDITIONER COMPRESSOR DRIVE  
1808 AIR CONDITIONER LINES  
1810 RADIATOR & REFRIGERANT CONDENSER  
1812 HEATER / HOSE LINES  
1813 RADIATOR HOSE

## 3000 TRANSMISSION & DRIVE LINE

3013 AXLE ARRANGEMENT  
3020 DRIVE & STEERING AXLE  
3061 TRANSMISSION GEARS  
3063 TRANSMISSION SHAFT  
3064 TRANSMISSION CASE  
3065 TRANSMISSION CONTROL  
3066 TRANSMISSION OIL PUMP  
3067 TRANSMISSION OIL FILTER  
3068 TRANSMISSION OIL FILTER BASE  
3075 TRANSMISSION OUTPUT GEARS  
3080 TRANSMISSION OIL  
3081 TRANSMISSION OIL LEVEL  
3082 TRANSMISSION MOUNT

## 3100 TORQUE CONVERTER, TORQUE DIVIDER, RETARDER

3101 TORQUE CONVERTER  
3115 TORQUE CONVERTER/TRANSMISSION SCAVENGE PUMP  
3133 TORQUE CONVERTER RELIEF VALVE  
3139 MODULATING VALVE  
3141 TORQUE CONVERTER SPEED SENSOR

## 3030 POWER SHIFT / HYDROSTATIC TRANSMISSION

3063 TRANSMISSION SHAFT  
3064 TRANSMISSION CASE  
3065 HYDROSTATIC CONTROL LINKAGE (EXTERNAL)  
3066 POWER SHIFT TRANSMISSION OIL PUMP  
3067 HYDROSTATIC TRANSMISSION OIL FILTER  
3073 HYDROSTATIC MAIN CONTROL VALVE  
3151 TRANSMISSION GOVERNOR  
3154 TRANSMISSION LINES/HOSES  
3155 TRANSMISSION CLUTCH  
3157 TRANSMISSION SELECTOR VALVE  
3159 TRANSFER GEARS  
3160 TRANSMISSION PLANETARY  
3167 TRANSMISSION HYDRAULIC CONTROL  
3168 TRANSMISSION ELECTRONIC CONTROL  
3174 SHIFT SOLENOID  
3175 TRANSMISSION SPEED SENSOR

# SMCS CODES - TELEHANDLER

3181 TRANSMISSION NEUTRALIZER CONTROL VALVE  
3182 TRANSMISSION LUBRICATION RELIEF VALVE  
3184 TRANSMISSION OIL COOLER BYPASS VALVE  
3186 TRANSMISSION PLANET CARRIER  
3187 TRANSMISSION CARRIER THRUST DISC/PLATE  
3190 TRANSMISSION CLUTCH PLATE  
3191 TRANSMISSION NEUTRALIZER  
3194 TRANSMISSION TEMPERATURE SENSOR  
3202 TRANSMISSION FLOW CONTROL VALVE  
3203 DRIVE PUMP  
3204 CHARGE PUMP  
3205 SERVO CONTROL VALVE  
3206 MANIFOLD/METERING VALVE  
3207 SERVO CYLINDER  
3210 HIGH PRESSURE RELIEF VALVE  
3213 CHARGE & MAIN RELIEF VALVE  
3214 SYNCHRONIZING VALVE  
3215 POWER UNIT CONTROL LINKAGE  
3216 TRANSMISSION UNDERSPEED/OVERSPEEDVALVE  
3219 TRANSMISSION PILOT OVERSPEED VALVE  
3220 TRAVEL SPEED CONTROL VALVE  
3221 HYDROSTATIC POWER CASE  
3222 PUMP HEAD  
3223 TRANSMISSION UNDERSPEED OVERRIDE VALVE  
3225 TRAVEL ELECTRONIC CONTROL  
3226 DOWNSHIFT INHIBITOR

**3250 DRIVE LINE/DRIVE AXLE**

3251 UNIVERSAL JOINT  
3252 FLEXIBLE COUPLING  
3253 DRIVE SHAFT  
3254 DRIVE LINE PINION  
3256 BEVEL GEAR/SHAFT  
3257 BEVEL GEAR SHAFT BEARING  
3258 DIFFERENTIAL  
3259 AXLE SHAFT  
3260 AXLE HOUSING ASSEMBLY  
3263 LIMITED SLIP DIFFERENTIAL  
3267 DRIVE SHAFT SUPPORT  
3268 AXLE HOUSING SUPPORT/TRUNNION

3269 PINION HOUSING  
3274 CONSTANT VELOCITY UNIVERSAL JOINT  
3275 DRIVE LINE BRAKE  
3276 DRIVE LINE BRAKE DISC  
3278 DRIVE AXLE  
3281 BEVEL GEAR CASE  
3282 AXLE  
3283 DIFFERENTIAL CASE  
3284 DIFFERENTIAL CARRIER

**4000 DRIVE TRAIN**

4004 BRAKE & AXLE  
4005 STEERING & BRAKING SYSTEM

**4050 FINAL DRIVE**

4051 FINAL DRIVE & WHEEL  
4052 FINAL DRIVE SEAL  
4053 DRIVE AXLE HUB/GEAR ASSEMBLY  
4054 FINAL DRIVE HUB  
4055 FINAL DRIVE GEARS  
4056 FINAL DRIVE - DRIVE SHAFT  
4057 FINAL DRIVE PINION FLANGE  
4059 FINAL DRIVE CASE/BORE  
4084 FINAL DRIVE PLANETARY CARRIERS, HUB & RING GEAR  
4091 FINAL DRIVE PINION  
4092 PLANETARY FINAL DRIVE CARRIER  
4093 FINAL DRIVE PLANETARY CARRIER THRUST SURFACE  
4094 FINAL DRIVE PINION & FLANGE

**4200 WHEEL & TIRE**

4201 WHEEL  
4202 RIM & TIRE  
4203 TIRE  
4208 WHEEL ASSEMBLY  
4209 WHEEL RIM  
4210 WHEEL STUD/BOLT/NUT  
4220 MUD GUARD  
4233 STEER TIRE, PNEUMATIC



# SMCS CODES - TELEHANDLER

## 4250 BRAKING SYSTEM

4251 SERVICE BRAKE  
4255 BRAKE DISC  
4256 BRAKE CALIPER, HEAD ASSEMBLY  
4257 BRAKE LINES  
4258 BRAKE MASTER CYLINDER  
4262 BRAKE ACTUATOR  
4265 SERVICE BRAKE CONTROL VALVE  
4267 PARKING BRAKE  
4269 SERVICE BRAKE CONTROL  
4273 FRICTION PADS  
4282 PARKING/SECONDARY BRAKE CONTROL VALVE  
4284 PARKING BRAKE CONTROL  
4291 BRAKE HYDRAULIC RESERVOIR

## 4300 STEERING SYSTEM

4301 STEERING GEAR  
4303 STEERING CYLINDER  
4307 STEERING VALVE  
4309 STEERING WHEEL  
430S STEERING SENSOR  
4310 STEERING COLUMN  
4312 STEERING METERING PUMP  
4313 STEERING AXLE  
4314 KINGPIN  
4318 TIE ROD  
4321 STEERING KNUCKLE  
4322 STEERING RELIEF VALVE  
4329 TIE ROD END  
4338 ADJUSTABLE STEERING COLUMN  
4349 STEERING SELECTOR & PRESSURE CONTROL VALVE

## 4350 HYDROSTATIC DRIVE

4351 HYDRAULIC PROPEL/DRIVE MOTOR  
4352 DRIVE CONTROL VALVE  
4267 HYDROSTATIC DRIVE PARKING BRAKE  
4354 BRAKE RELEASE PUMP  
4355 HYDROSTATIC DRIVE GEAR REDUCER  
4356 BRAKE & SHIFT VALVE

## 5000 IMPLEMENT CONTROLS

5001 IMPLEMENT CONTROL LOCK  
5002 HYDRAULIC & FUEL TANK  
5004 RIDE CONTROL SYSTEM  
5005 AUXILIARY HYDRAULIC CIRCUIT

## 5050 HYDRAULIC SYSTEM

5051 HYDRAULIC CONTROL VALVE  
5056 HYDRAULIC TANK  
5057 HYDRAULIC HOSES/LINES  
5059 PILOT CONTROL VALVE  
505C PISTON CYLINDER  
5063 IMPLEMENT CONTROL  
5068 HYDRAULIC OIL FILTER  
5069 MAIN SYSTEM RELIEF VALVE  
506P IMPLEMENT PRIORITY VALVE  
5070 PISTON PUMP  
5071 HYDRAULIC OIL COOLER BYPASS VALVE  
5072 PILOT SYSTEM RELIEF VALVE  
5084 IMPLEMENT PUMP  
5086 COMPENSATOR VALVE  
5093 HYDRAULIC FILTER BYPASS VALVE  
5095 HYDRAULIC OIL  
509T HYDRAULIC OIL TEMPERATURE SENSOR

## 5100 LIFT, TILT, TIP & OTHER CONTROLS

5102 LIFT/HOIST CYLINDER  
5103 LIFT CYLINDER TRUNNION  
5104 TILT CYLINDER  
5106 TIP CYLINDER  
5116 ATTACHMENT CYLINDER  
5130 LOCK VALVE  
5141 HITCH LIFT CYLINDER  
5144 FRAME LEVEL VALVE  
5486 EXTENSION CYLINDER

# SMCS CODES - TELEHANDLER

## 5700 IMPLEMENT ELECTRONIC CONTROLS

5701 IMPLEMENT ELECTRONIC CONTROL MODULE  
(PREPROGRAMMED)  
5702 IMPLEMENT HYDRAULIC ELECTRONIC CONTROL  
5705 JOYSTICK  
5734 HYDRAULIC SYSTEM WIRING HARNESS  
5735 FRAME LEVEL CONTROL

## 5800 OTHER CONTROLS

5804 SIDESHIFT CYLINDER  
5811 LOAD CONTROL VALVE  
5816 COMPENSATING CYLINDER  
5823 FORK LEVEL CYLINDER

## 6400 MATERIAL HANDLING ATTACHMENTS

6402 STANDARD CARRIAGE  
6404 LIFT CHAIN  
6405 LIFT FORK  
6408 ROTATING CARRIAGE  
6409 WIDE CARRIAGE  
6416 BALE CLAMP  
6425 SIDESHIFT CARRIAGE  
6459 LIFTING HOOK  
6460 TELESCOPING BOOM  
6461 MAN BASKET

## 7050 FRAME

7051 MAIN FRAME  
7056 COUNTERWEIGHT  
7059 FUEL TANK, SEAT & FRAME  
7078 FRAME LEVEL CYLINDER

## 7100 HITCH

7105 FIXED DRAWBAR  
7116 HITCH/TOW PIN

## 7150 GUARD

7151 CRANKCASE GUARD  
7154 ENGINE GUARD  
7155 RADIATOR GUARD  
7159 OVERHEAD GUARD

7165 CAB/CANOPY SCREEN

7170 RADIATOR GRILLE  
7177 ROPS ROLL BAR  
7192 WHEEL CHOCK

## 7200 SUSPENSION

7221 OUTRIGGER

## 7250 BODY

7251 HOOD  
7252 FENDER  
7253 PLATFORM/DECK  
7257 BATTERY BOX/SUPPORT  
7261 PLATFORM SOUND SUPPRESSION  
7262 FIREWALL  
7263 ENGINE ENCLOSURE  
7264 ROPS MOUNT REAR SUPPORT  
7265 FLOORPLATE  
7266 ROPS MOUNT  
7267 BODY PANEL  
726A ACCESS PANEL  
726M FLOORMAT  
7272 RADIATOR ENCLOSURE/SHROUD  
7273 COMPARTMENT DOOR  
7276 MACHINE ENCLOSURE

## 7300 OPERATOR STATION

7301 CAB  
7302 CANOPY  
7304 CAB HEATER  
7305 WINDSHIELD WIPER  
7306 WINDSHIELD WASHER  
7307 SEAT/ARM CUSHION  
7308 CAB DOOR  
7309 HEATER & AIR CONDITIONER  
7310 WINDOW GLASS  
7312 SEAT ASSEMBLY  
7314 DASH  
7316 CAB AIR FAN  
7319 MIRROR

# SMCS CODES - TELEHANDLER

731S SEAT AIR COMPRESSOR

7320 AIR CONDITIONER

7321 SEAT FRAME

7322 AIR CONDITIONER RECEIVER/DRYER

7323 ROPS/FOPS CANOPY

7324 SUSPENSION SEAT

7325 ROPS/FOPS CAB

7327 SEAT BELT

7329 CAB LINER/SOUND SUPPRESSION

7330 CANOPY SOUND SUPPRESSION

7332 ELECTRIC SWITCH (MANUAL)

7338 RADIO

7340 WINDSHIELD

7342 CAB AIR FILTER

## **7400 PROTECTION DEVICES, ALARMS & INDICATORS**

7402 WARNING HORN

7405 INSTRUCTION/WARNING PLATE/FILM

7406 BACK-UP ALARM

7407 ACTION ALARM

7420 LOW COOLANT TEMPERATURE ALARM

7421 LOW ENGINE OIL PRESSURE SHUTOFF

7431 WARNING/INDICATOR LIGHT

## **7450 GAUGES & INDICATORS**

7451 INSTRUMENT PANEL/CONTROL PANEL

7452 AIR FILTER INDICATOR

7453 ENGINE COOLANT TEMPERATURE GAUGE

7455 ENGINE OIL PRESSURE GAUGE

7459 TRANSMISSION GEAR/SHIFT INDICATOR

7462 TACHOMETER

7463 SPEEDOMETER

7464 ODOMETER

7467 AMMETER

7470 COOLANT LEVEL GAUGE

7475 OIL FILTER INDICATOR

7477 TRANSMISSION/TORQUE CONVERTER  
TEMPERATURE GAUGE

7478 SERVICE METER

7479 SIGHT GAUGE

7480 ELECTRIC HOUR METER

7481 FUEL LEVEL GAUGE

7483 LOW FUEL LEVEL INDICATOR

7485 ENGINE LOW OIL PRESSURE INDICATOR

7486 PARKING BRAKE INDICATOR LIGHT

7488 HYDRAULIC OIL TEMPERATURE GAUGE

7490 ELECTRONIC MONITORING SYSTEM/PANEL

7493 GROUND SPEED SENSOR

7496 ALTERNATOR INDICATOR

## **7500 MAINTENANCE**

7501 FIRST SERVICE INTERVAL

7502 SECOND SERVICE INTERVAL

7503 THIRD SERVICE INTERVAL

7504 FOURTH SERVICE INTERVAL

7507 LIFT ARM SUPPORT

751B BATTERY CHARGER

7524 250 SERVICE HOUR MAINTENANCE

7525 500 SERVICE HOUR MAINTENANCE

7526 1000 SERVICE HOUR MAINTENANCE

7527 2000 SERVICE HOUR MAINTENANCE

7534 750 SERVICE HOUR MAINTENANCE

7542 SOS

## **7550 COMMON SUBJECTS**

7551 BEARINGS

7552 GEARS

7553 FASTENERS, CONNECTORS & HARDWARE

7554 HOSES & LINES

7555 SEALS & GASKETS

7556 WIRE

7557 INFORMATION/IDENTIFICATION PLATES &  
TRANSFERS

7558 WEAR SLEEVES

7559 PAINTED SURFACES

755R RETAINER SYSTEM

7560 COMPARTMENT FLUID LEVEL

7561 DUO-CONE SEAL

7562 HYDRAULIC CYLINDERS

7569 TROUBLESHOOTING PROCEDURE

756P MAINTENANCE PARTS

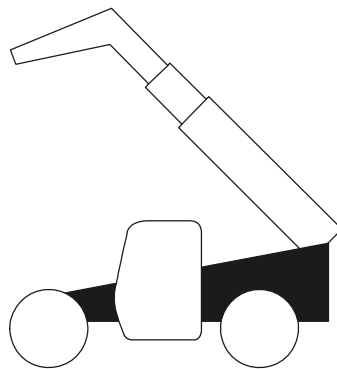
7570 PRODUCT UPDATE PROGRAM

## SMCS CODES - TELEHANDLER

7571 SOS ENGINE PRODUCT INFORMATION	7771 SOS "URGENT" REPORTS
7573 SOS TRANSMISSION PRODUCT INFORMATION	7851 FUEL FILTER INDICATOR
7574 SOS DRIVE TRAIN PRODUCT INFORMATION	7856 STABILITY INDICATOR
7575 SOS HYDRAULIC PRODUCT INFORMATION	7858 ANGLE INDICATOR
7576 SOS OTHER PRODUCT INFORMATION	7859 ENGINE OIL TEMPERATURE GAUGE
7577 SOS FLUID INFORMATION	7942 PERSONALITY MODULE - UPDATE ELECTRONIC COMPONENTS
7578 SOS FILTER INFORMATION	7950 MISCELLANEOUS
7579 FLUID	79M4 OTHER ADJUSTMENTS
7581 PAINTING & LUBRICATION	
7588 PRE-DELIVERY INSPECTION	
7589 PRE-DELIVERY WARRANTY	
7590 DELIVERY	
7591 FIRST REVISIT	
7592 SECOND REVISIT	
7593 USER ACCEPTANCE/FIELD FOLLOW	
7594 CONTRACT FIELD FOLLOW RECORDS	
7595 GENERAL OVERHAUL (NO FAILURE)	
<b>7600 MACHINE ELECTRONIC CONTROLS &amp; DATA MANAGEMENT SYSTEMS</b>	
7606 PRODUCT LINK SYSTEM	
7610 PROGRAMMABLE CONTROL	
7620 SOFTWARE	
7630 INTERLOCK ELECTRONIC CONTROL MODULE	
7631 MACHINE SECURITY SYSTEM	
7700 SERVICE CLAIM CATEGORIES	
7714 ROLL OVER PROTECTION STRUCTURE DECERTIFIED	
7715 ROLL OVER PROTECTION STRUCTURE RECERTIFIED	
7729 HEUI ACTUATION (OIL)	
7730 REPAIR PROCEDURE (RP) PROGRAM	
7750 DEFECTIVE PARTS STOCK	
7751 PRODUCT IMPROVEMENT PROGRAM (PIP)	
7752 PARTS STOCK CLAIM	
7754 REMANUFACTURED COMPONENT	
7755 PRODUCT SUPPORT PROGRAM (PSP)	
7756 SERVICE ENGINEERING REQUESTED WORK	
7760 INFORMATION RECORD ONLY	
7762 DELIVERY DATE/SERVICE FEE	
7770 SOS GENERAL INFORMATION	

# SECTION 1

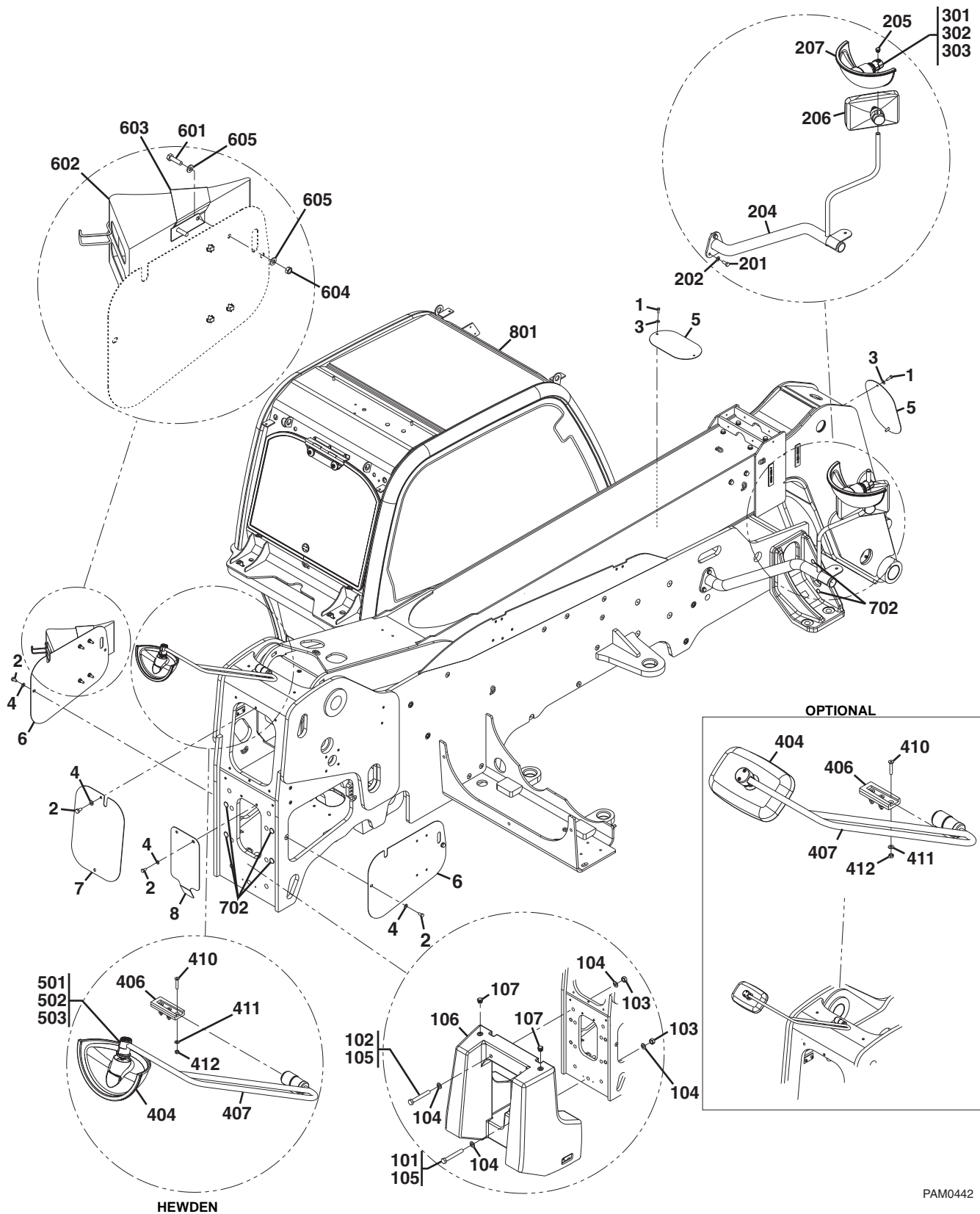
## FRAME & ATTACHING PARTS





# FRAME & ATTACHING PARTS

Figure 1-1 Frame Shrouding & Trim



# FRAME & ATTACHING PARTS



Figure 1-1 Frame Shrouding & Trim

Item	Part Number	Qty.	Description	Rev.
	316-1988	Ref	HYDRAULIC PANELS INSTALLATION, <b>(TH336 &amp; TH406)</b> , (not available to order, see items 1 thru 8 for service)	G
	316-1989	Ref	HYDRAULIC PANELS INSTALLATION, <b>(TH337 &amp; TH407)</b> , (not available to order, see items 1 thru 8 for service)	G
1	8T-4908	4	HEX HD CAPSCREW, M8X25, GR8.8	
2	8T-4137	8	HEX HD CAPSCREW, M10X20, GR8.8	
3	309-3997	4	WASHER, 8mm	
4	8T-4121	8	WASHER, 10mm	
5	316-1983	2	FRONT HYDRAULIC PANEL	
6	316-1985	2	SIDE HYDRAULIC PANEL	
7	316-1986	1	REAR HYDRAULIC PANEL	
8	316-2015	1	REAR HYDRAULIC PANEL	
	320-8548	Ref	COUNTERWEIGHT INSTALLATION, <b>(TH406 &amp; TH407)</b> , (not available to order, see items 101 thru 108 for service)	B
101	7X-2532	1	HEX HD CAPSCREW, M20X130, GR10.9	
102	8T-4170	2	HEX HD CAPSCREW, M20X150, GR10.9	
104	7Y-1858	6	WASHER, 20mm	
105		AR	CAT THREADLOCK	
106	320-8547	1	COUNTERWEIGHT	
107	314-5568	2	CAP	
108	6V-7742	3	HEX NUT, M20X2.5	
	318-0434	Ref	REAR VIEW MIRROR INSTALLATION, <b>(Construction)</b> , (not available to order, see items 201 thru 207 for service)	C
	318-0431	Ref	REAR VIEW MIRROR INSTALLATION, <b>(Agricultural)</b> , (not available to order, see items 201 thru 207 for service)	B
201	8T-4136	3	HEX HD CAPSCREW, M10X25, <b>(Agricultural)</b>	
		Ref	HEX HD CAPSCREW, M10X25, <b>(Construction)</b> , (see Figure 10-6 for details)	
202	8T-4121	3	WASHER, 10mm, <b>(Agricultural)</b>	
		Ref	WASHER, 10mm, <b>(Construction)</b> , (see Figure 10-6 for details)	
204	314-5544	1	BRACKET, <b>(Agricultural)</b>	
		Ref	BRACKET, <b>(Construction)</b> , (see Figure 10-6 for details)	
205	314-5568	1	CAP, <b>(Agricultural)</b>	
		Ref	CAP, <b>(Construction)</b> , (see Figure 10-6 for details)	
206	329-0046	1	RECTANGULAR MIRROR	
207	279-8796	1	MIRROR ASSY, (includes items 301 thru 303)	B
301	3B-4503	2	LOCKWASHER, #12	
302	8T-0328	2	WASHER	
303	281-0791	2	HEX SOCKET HD CAPSCREW	
351		Ref	R.H. DRIVING LIGHT, <b>(Construction)</b> , (not shown), (see Figure 10-6 for details)	
	327-8295	Ref	HITCH REAR VIEW MIRROR INSTALLATION, <b>(Hewden)</b> , <b>(if equipped)</b> , (not available to order, see items 404 thru 412 for service)	B
	318-0432	Ref	HITCH REAR VIEW MIRROR INSTALLATION, <b>(if equipped)</b> , (not available to order, see items 404 thru 412 for service)	C
404	279-8796	1	MIRROR ASSY, <b>(Hewden)</b> , (fish eye), <b>(if equipped)</b> , (includes items 501 thru 503)	B
	220-4050	1	MIRROR, (rectangular)	



## FRAME & ATTACHING PARTS

Figure 1-1 Frame Shrouding & Trim (Continued)

Item	Part Number	Qty.	Description	Rev.
406	326-6617	1	BRACKET	
407	326-6618	1	BRACKET	
409		AR	CAT THREADLOCK	
410	329-3544	3	SOCKET HD CAPSCREW, M8X45	
411	8T-4224	3	WASHER, 8mm	
412	5C-7261	3	HEX NUT, M8X1.25	
501	3B-4503	2	LOCKWASHER, #12	
502	8T-0328	2	WASHER	
503	281-0791	2	HEX SOCKET HD CAPSCREW	
601	8T-7547	4	HEX HD CAPSCREW, M8X30, GR8.8, <b>(Germany)</b>	
602		1	WEDGE, <b>(Germany)</b>	
603		1	WEDGE HOLDER, <b>(Germany)</b>	
604	5C-7261	4	HEX NUT, M8X1.25, <b>(Germany)</b>	
605	8T-4224	8	WASHER, 8mm, <b>(Germany)</b>	
702	329-3606	8	RUBBER PLUG	
801		Ref	CAB, (see Figure 6-1 for details)	

NOTE: ITEM NUMBERS NOT LISTED ARE NOT USED ON THIS FIGURE



# FRAME & ATTACHING PARTS

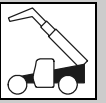


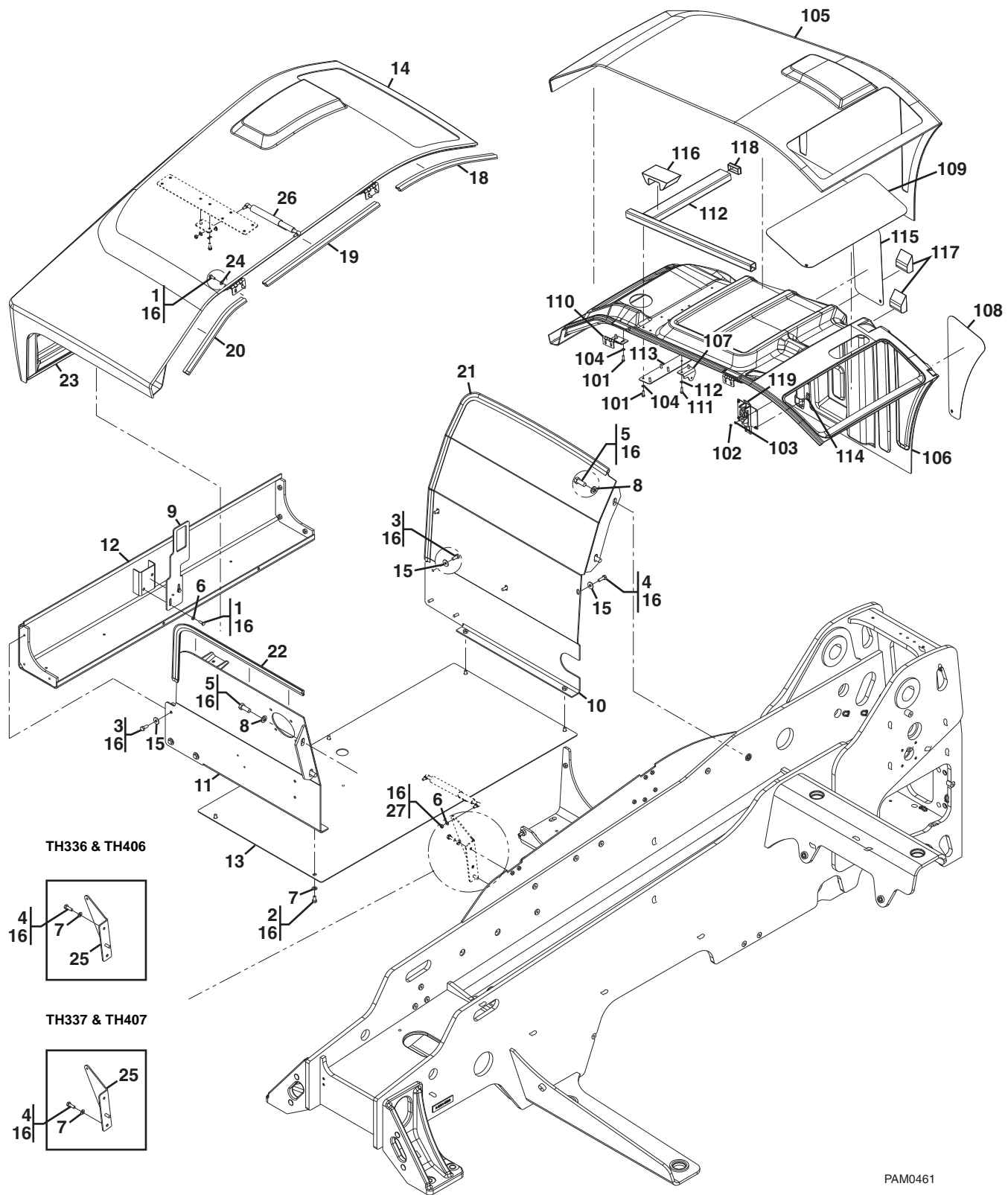
Figure 1-1 Frame Shrouding & Trim (Continued)

Item	Part Number	Qty.	Description	Rev.



# FRAME & ATTACHING PARTS

Figure 1-2 Frame Shrouding & Trim - Engine Pod Installation



PAM0461