



Operation and Maintenance Manual

TH360B Telehandler

S/N TBH00100 & After

Keep this manual with machine at all times.

Important Safety Information

Most accidents that involve product operation, maintenance and repair are caused by failure to observe basic safety rules or precautions. An accident can often be avoided by recognizing potentially hazardous situations before an accident occurs. A person must be alert to potential hazards. This person should also have the necessary training, skills and tools to perform these functions properly.

Improper operation, lubrication, maintenance or repair of this product can be dangerous and could result in injury or death.

Do not operate or perform any lubrication, maintenance or repair on this product, until you have read and understood the operation, lubrication, maintenance and repair information.

Safety precautions and warnings are provided in this manual and on the product. If these hazard warnings are not heeded, bodily injury or death could occur to you or to other persons.

The hazards are identified by the "Safety Alert Symbol" and followed by a "Signal Word" such as "DANGER", "WARNING" or "CAUTION". The Safety Alert "WARNING" label is shown below.



The meaning of this safety alert symbol is as follows:

Attention! Become Alert! Your Safety is Involved.

The message that appears under the warning explains the hazard and can be either written or pictorially presented.

Operations that may cause product damage are identified by "NOTICE" labels on the product and in this publication.

Caterpillar cannot anticipate every possible circumstance that might involve a potential hazard. The warnings in this publication and on the product are, therefore, not all inclusive. If a tool, procedure, work method or operating technique that is not specifically recommended by Caterpillar is used, you must satisfy yourself that it is safe for you and for others. You should also ensure that the product will not be damaged or be made unsafe by the operation, lubrication, maintenance or repair procedures that you choose.

The information, specifications, and illustrations in this publication are on the basis of information that was available at the time that the publication was written. The specifications, torques, pressures, measurements, adjustments, illustrations, and other items can change at any time. These changes can affect the service that is given to the product. Obtain the complete and most current information before you start any job. Caterpillar® dealers have the most current information available.



When replacement parts are required for this product Caterpillar recommends using Caterpillar replacement parts or parts with equivalent specifications including, but not limited to, physical dimensions, type, strength and material.

Failure to heed this warning can lead to premature failures, product damage, personal injury or death.

Table of Contents**Foreword**

| | |
|------------------------------------|---|
| Literature Information | 5 |
| Safety | 5 |
| Operation | 5 |
| Maintenance..... | 5 |
| Maintenance Intervals..... | 5 |
| Certified Engine Maintenance | 5 |
| Machine Capacity..... | 5 |
| Contact Information..... | 6 |

Safety Section

| | |
|---|----|
| Safety Messages..... | 7 |
| Do Not Operate (1)..... | 10 |
| Do Not Stand Under the Load (2) | 10 |
| No Hands (3)..... | 11 |
| Do Not Operate (4)..... | 11 |
| Forks (5)..... | 12 |
| Do Not Weld On The ROPS/FOPS Structure (6) | 12 |
| Crushing Hazard (7)..... | 13 |
| No Hands (8)..... | 13 |
| Seat Belt (9) | 14 |
| Crushing Hazard (10)..... | 14 |
| Crushing Hazard (11)..... | 15 |
| Engine Coolant (12) | 15 |
| Avoid Power Lines (13)..... | 16 |
| Low Bridge (14)..... | 16 |
| Jump Start Cables (15)..... | 17 |
| Ether (16) | 17 |
| Crushing Hazard (17)..... | 18 |
| Crushing Hazard (18)..... | 18 |
| Operation (19)..... | 18 |
| Impaling Hazard (20)..... | 18 |
| Crushing Hazard (21)..... | 19 |
| Entanglement and Flying Objects (22)..... | 19 |
| Trap Point (23) | 19 |
| Crushing Hazard (24)..... | 19 |
| Ether (25) | 20 |
| Additional Messages..... | 20 |
| General Hazard Information | 24 |
| Pressurized Air and Water | 25 |
| Trapped Pressure | 25 |
| Fluid Penetration | 25 |
| Containing Fluid Spillage | 25 |
| Dispose of Waste Properly..... | 25 |
| Crushing Prevention and Cutting Prevention | 25 |
| Burn Prevention | 26 |
| Coolant..... | 26 |
| Oils | 26 |
| Batteries | 26 |
| Fire Prevention and Explosion Prevention | 26 |
| Fire Extinguisher | 27 |
| Lines, Tubes and Hoses | 27 |
| Fire Extinguisher Location..... | 28 |
| Tire Information | 28 |
| Electrical Storm Injury Prevention | 28 |
| Before Starting Engine..... | 29 |
| Engine Starting..... | 29 |

| | |
|--|----|
| Before Operation..... | 30 |
| Operation | 30 |
| Machine Operating Temperature Range | 30 |
| Machine Operation | 30 |
| Travel..... | 30 |
| Lifting Capacities | 30 |
| Work Tools..... | 31 |
| Engine Stopping..... | 31 |
| Work Tools..... | 31 |
| Parking..... | 31 |
| Equipment Lowering with Loss of Hydraulic Power..... | 32 |
| Sound Information and Vibration Information | 32 |
| Sound Level..... | 32 |
| Vibration Level | 32 |
| Operator Station..... | 32 |
| Guards (Operator Protection) | 32 |
| Rollover Protective Structure (ROPS), Falling Object Protective Structure (FOPS)..... | 33 |
| Other Guards (If Equipped) | 33 |

Product Information Section

| | |
|--|----|
| General Information | 35 |
| Lifting Capacities | 35 |
| Examples of Estimating the Lift Operation from the Load Chart | 36 |
| Specifications | 37 |
| Intended Use | 38 |
| Application/Configuration Restrictions | 38 |
| Identification Information..... | 38 |
| Plate Locations and Film Locations | 38 |
| Serial Number..... | 39 |
| Certification..... | 39 |
| Sound | 39 |
| ROPS/FOPS Film | 40 |
| Machine Security System | 40 |
| Italian Roading Homologation..... | 40 |
| Emissions Certification Film..... | 42 |

Operation Section

| | |
|--|----|
| Before Operation..... | 43 |
| Mounting and Dismounting | 43 |
| Alternate Exit | 43 |
| Daily Inspection | 43 |
| Machine Operation..... | 45 |
| Alternate Exit | 45 |
| Seat | 45 |
| Air Suspension (If Equipped) | 46 |
| Seat Belt | 46 |
| Operator Controls (Side Console) | 49 |
| Operator Controls | 51 |
| Operation Information | 67 |
| Work Tools..... | 75 |
| Monitoring System | 80 |
| Backup Alarm | 83 |
| Cab Door | 84 |
| Engine Starting | 84 |
| Engine Starting | 84 |
| Starting Below 0 °C (32°F)..... | 85 |
| Engine and Machine Warm-Up..... | 85 |

| | | | |
|---|-----|---|-----|
| Parking | 86 | Primary Cab Air Filter | 115 |
| Stopping the Machine | 86 | Secondary Cab Air Filter | 116 |
| Stopping the Engine | 86 | Circuit Breakers - Test | 116 |
| Stopping the Engine if an Electrical Malfunction Occurs | 86 | Cooling System Coolant - Change | 117 |
| Leaving the Machine | 86 | Cooling System Coolant Level - Check | 118 |
| Transportation Information | 87 | Cooling System Coolant Sample (Level 1) - Obtain | 119 |
| Shipping the Machine | 87 | Cooling System Coolant Sample (Level 2) - Obtain | 119 |
| Rooding the Machine | 87 | Cooling System Pressure Cap - Clean/Replace | 120 |
| Lifting and Tying Down the Machine | 88 | Cooling System Water Temperature Regulator Replace | 120 |
| Towing Information | 88 | Differential Oil - Change | 121 |
| Towing the Machine | 88 | Rear Axle Differential | 121 |
| Types of Towing Hitches | 90 | Front Axle Differential | 122 |
| Engine Starting (Alternate Methods) | 91 | Differential Oil Level - Check | 122 |
| Engine Starting with Jump Start Cables | 91 | Rear Axle Differential | 122 |
| Equipment Lowering with Loss of Hydraulic Power | 93 | Front Axle Differential | 123 |
| Maintenance Section | | Differential Oil Sample - Obtain | 123 |
| Maintenance Access | 97 | Drive Shaft Spline - Lubricate | 124 |
| Access Doors and Covers | 97 | Drive Shaft Universal Joint Bolts - Check | 124 |
| Tire Inflation Information | 97 | Engine Air Filter Primary Element - Clean/Replace | 125 |
| Tire Inflation with Air | 97 | Cleaning Primary Air Filter Elements | 125 |
| Tire Pressure | 98 | Inspecting the Primary Air Filter Elements | 126 |
| Tire Inflation Pressure Adjustment | 99 | Engine Air Filter Secondary Element - Replace | 127 |
| Tire Damage | 99 | Engine Air Filter Primary Element - Replace | 127 |
| Tire Replacement | 99 | Engine Mounts - Inspect | 127 |
| Wheel and Tire Installation | 99 | Engine Oil Level - Check | 127 |
| Lubricant Viscosities and Refill Capacities | 100 | Engine Oil Sample - Obtain | 128 |
| Lubricant Viscosities | 100 | Engine Oil and Filter - Change | 128 |
| Capacities (Refill) | 102 | Engine Valve Lash - Check | 129 |
| SOS Information | 103 | Final Drive Oil - Change | 130 |
| Maintenance Support | 103 | Final Drive Oil Level - Check | 130 |
| Welding on Machines and Engines with Electronic Controls | 103 | Final Drive Oil Sample - Obtain | 131 |
| Maintenance Interval Schedule | 104 | Fork Leveling Cylinder Pin -Lubricate | 132 |
| Axle Breathers - Clean/Replace | 106 | Frame Leveling Cylinder Pin -Lubricate | 132 |
| Backup Alarm - Test | 106 | Fuel System - Prime | 132 |
| Battery - Recycle | 106 | Fuel System Secondary Filter Replace | 133 |
| Battery or Battery Cable -Inspect/Replace | 106 | Fuel System Water Separator - Drain | 133 |
| Belt - Inspect/Replace | 107 | Fuel System Water Separator Element - Replace | 134 |
| Inspect | 107 | Fuel Tank Cap - Clean | 135 |
| Replace | 107 | Fuel Tank Water and Sediment - Drain | 135 |
| Boom Chain - Inspect/ Lubricate | 108 | Fuses and Relays - Replace | 136 |
| Boom Chain Tension -Check/Adjust | 108 | Fuses | 136 |
| Check Condition | 108 | Relays | 138 |
| Check and Adjust the Chain Tension | 108 | Indicators and Gauges - Test | 138 |
| Measure the Chain for Wear | 109 | Longitudinal Stability Indicator - Calibrate | 139 |
| Boom Cylinder Pin - Lubricate | 110 | Longitudinal Stability Indicator -Test | 139 |
| Boom Head Section - Lubricate | 110 | Initial Test | 139 |
| Boom Pivot Shaft - Lubricate | 110 | Second Test | 139 |
| Boom Telescoping Cylinder Air- Purge | 110 | Oil Filter - Inspect | 139 |
| Boom Wear Pad Clearance -Inspect/Adjust | 111 | Inspect a Used Filter for Debris | 139 |
| Adjustment | 112 | Parking Brake - Adjust | 140 |
| Boom and Frame - Inspect | 113 | Pulley for Boom Extension Chain - Lubricate | 140 |
| Braking System - Test | 114 | Pulley for Boom Retraction Chain - Lubricate | 140 |
| Service Brake | 114 | Radiator Core - Clean | 141 |
| Parking Brake | 115 | Refrigerant Dryer - Replace | 141 |
| Cab Air Filter - Clean/Replace | 115 | | |

Table of Contents

| | |
|--|-----|
| Rollover Protective Structure (ROPS) and Falling Object Protective Structure (FOPS) -Inspect | 142 |
| Seat Belt - Inspect..... | 142 |
| Seat Belt - Replace | 143 |
| Stabilizer and Cylinder Bearings - Lubricate | 143 |
| Tire Inflation - Check | 143 |
| Transmission and Hydraulic System Oil - Change..... | 144 |
| Transmission and Hydraulic System Oil Filter - Replace | 145 |
| Transmission and Hydraulic System Oil Level - Check | 146 |
| Transmission and Hydraulic System Oil Sample - Obtain..... | 147 |
| Transmission and Hydraulic System Tank Breather - Clean | 147 |
| Turbocharger - Inspect..... | 147 |
| Wheel Nut Torque - Check..... | 147 |
| Window Washer Reservoir -Fill..... | 148 |
| Window Wiper -Inspect/Replace | 148 |
| Windows - Clean | 148 |
| Work Tool - Inspect/Replace..... | 148 |
| Forks | 148 |
| Buckets | 150 |
| Reference Information Section | |
| Approved Work Tools..... | 153 |

Foreword

Literature Information

This manual should be stored in the operator's compartment in the literature holder or seat back literature storage area.

This manual contains safety information, operation instructions, transportation information, lubrication information and maintenance information.

Some photographs or illustrations in this publication show details or attachments that can be different from your machine. Guards and covers might have been removed for illustrative purposes.

Continuing improvement and advancement of product design might have caused changes to your machine which are not included in this publication. Read, study and keep this manual with the machine.

Whenever a question arises regarding your machine, or this publication, please consult your Caterpillar dealer for the latest available information.

Safety

The safety section lists basic safety precautions. In addition, this section identifies the text and locations of warning signs and labels used on the machine.

Read and understand the basic precautions listed in the safety section before operating or performing lubrication, maintenance and repair on this machine.

Operation

The operation section is a reference for the new operator and a refresher for the experienced operator. This section includes a discussion of gauges, switches, machine controls, attachment controls, transportation and towing information.

Photographs and illustrations guide the operator through correct procedures of checking, starting, operating and stopping the machine.

Operating techniques outlined in this publication are basic. Skill and techniques develop as the operator gains knowledge of the machine and its capabilities.

Maintenance

The maintenance section is a guide to equipment care. The Maintenance Interval Schedule (MIS) lists the items to be maintained at a specific service interval. Items without specific intervals are listed under the "When Required" service interval. The Maintenance Interval Schedule lists the page number for the step-by-step instructions required to accomplish the scheduled maintenance. Use the Maintenance Interval Schedule as an index or "one safe source" for all maintenance procedures.

Maintenance Intervals

Use the service hour meter to determine servicing intervals. Calendar intervals shown (daily, weekly, monthly, etc.) can be used instead of service hour meter intervals if they provide more convenient servicing schedules and approximate the indicated service hour meter reading. Recommended service should always be performed at the interval that occurs first.

Under extremely severe, dusty or wet operating conditions, more frequent lubrication than is specified in the maintenance intervals chart might be necessary.

Certified Engine Maintenance

Proper maintenance and repair is essential to keep the engine and machine systems operating correctly. As the heavy duty off-road diesel engine owner, you are responsible for the performance of the required maintenance listed in the Owner Manual, Operation and Maintenance Manual, and Service Manual.

It is prohibited for any person engaged in the business of repairing, servicing, selling, leasing, or trading engines or machines to remove, alter, or render inoperative any emission related device or element of design installed on or in an engine or machine that is in compliance with the regulations (40 CFR Part 89). Certain elements of the machine and engine such as the exhaust system, fuel system, electrical system, intake air system and cooling system may be emission related and should not be altered unless approved by Caterpillar.

Machine Capacity

Additional attachments or modifications may exceed machine design capacity which can adversely affect performance characteristics. Included would be stability and system certifications such as brakes, steering, and rollover protective structures (ROPS). Contact your Caterpillar dealer for further information.

Contact Information

For:

- Accident Reporting and Product Safety Publications
- Current Owner Updates
- Questions Regarding Product Applications and Safety
- Standards and Regulations Compliance Information
- Questions Regarding Product Modifications

Contact:

Product Safety and Reliability Department
JLG Industries, Inc.
1 JLG Drive
McConnellsburg, PA 17233
USA
or Your Local JLG Office

In USA:

Toll Free: 877-JLG-SAFE (877-554-7233)

Outside USA:

Phone: 717-485-5161 or 717-485-6591

E-mail: ProductSafety@JLG.com

Safety Section

Safety Messages

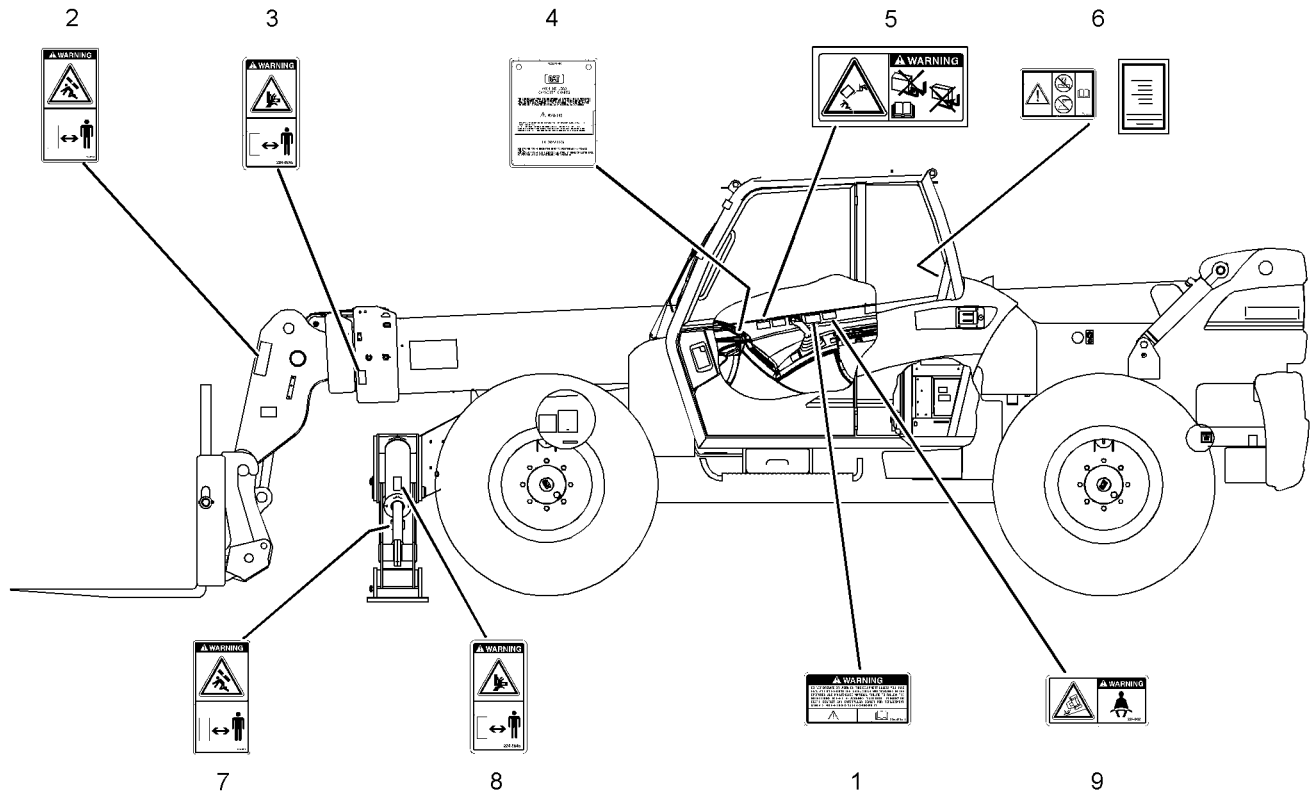


Illustration 2

g01106084

