



Parts Manual

Model TH255

S/N TBS00100 & After

31200363

*Revised
January 13, 2011*

EFFECTIVITY PAGE

February 22, 2008 - A - Original Issue Of Manual

May 1, 2008 - B - Revision

October 23, 2008 - C - Revised Manual

June 1, 2009 - D - Revised Manual

January 13, 2011 - E - Revised Manual

EFFECTIVITY PAGE

TABLE OF CONTENTS

FIGURE NO.	TITLE	PAGE NO.
SECTION 1 –		
FRAME & ATTACHING PARTS		1-1
1-1	Frame Shrouding & Attaching Parts, Right Side	1-2
1-2	Frame Shrouding & Attaching Parts, Left Side	1-6
1-3	Engine Pod Insulation	1-10
1-4	Axle & Fender Installation	1-14
1-5	Hitches	1-16
1-6	License Plate Holder Install	1-20
1-7	Rear Engine Cover	1-24
SECTION 2 –		
BOOM		2-1
2-1	Boom Assembly - Components	2-2
2-2	Boom Assembly - Pads, Shims & Spacers	2-4
2-3	Boom Pin Installation	2-6
2-4	Quick Coupler	2-8
2-5	Universal Quick Coupler	2-10
SECTION 3 –		
ATTACHMENTS		3-1
3-1	Standard Carriage	3-2
3-2	Universal Standard Carriage	3-4
3-3	Rotate/Side Tilt Carriage	3-6
3-4	Universal Rotate/Side Tilt Carriage	3-8
3-5	Universal Side Shift Carriage	3-10
3-6	Forks	3-12
3-7	Grapple Bucket	3-14
3-8	Light Material Bucket	3-18
3-9	Fork Mounted Hook	3-20
3-10	Universal Quick Coupler Adapter	3-22
SECTION 4 –		
ENGINE & ATTACHING PARTS		4-1
4-1	Engine Installation	4-2
4-2	Engine Assembly	4-4
4-3	Cat Engine	4-6
4-4	Radiator/Oil Cooler Installation	4-8
4-5	Air Cleaner Installation	4-10
4-6	Exhaust Installation	4-12
SECTION 5 –		
DRIVE TRAIN		5-1
5-1	Front Axle Assembly	5-2
5-2	Front Differential & Central Housing	5-4

TABLE OF CONTENTS

FIGURE NO.	TITLE	PAGE NO.
5-3	Front Hub Reduction	5-8
5-4	Front Brakes	5-12
5-5	Front Steering Components	5-14
5-6	Rear Axle Assembly	5-16
5-7	Rear Differential	5-18
5-8	Rear Hub Reduction & Central Housing	5-20
5-9	Rear Steering Components	5-24
5-10	Driveshaft Installation	5-26
5-11	Tires & Rims	5-28
 SECTION 6 –		
CAB		6-1
6-1	Cab Install	6-2
6-2	Open Cab	6-8
6-3	Enclosed Cab	6-10
6-4	Rear Hinged Window	6-14
6-5	Suspension Seat	6-16
6-6	Wiper Installation	6-18
6-7	Heater & AC Installation - Cab	6-20
6-8	Heater & A/C Installation - Engine Pod	6-24
6-9	Overhead Console	6-26
 SECTION 7 –		
CONTROLS		7-1
7-1	Boom Joystick	7-2
7-2	Steering Column & Attaching Parts	7-4
7-3	Accelerator Pedal Assembly	7-6
7-4	Brake Assembly	7-8
 SECTION 8 –		
HYDRAULIC CIRCUITS		8-1
8-1	Supply Circuit	8-2
8-2	Dump Circuit	8-6
8-3	Steer Select	8-8
8-4	Service/Park Brake	8-10
8-5	Boom Joystick	8-12
8-6	Lift Cylinder	8-16
8-7	Extend/Retract Cylinder	8-18
8-8	Tilt & Compensating	8-20
8-9	Auxiliary Hydraulics	8-22
8-10	Rear Auxiliary Hydraulics	8-24
8-11	Auxiliary Hydraulics Pressure Relief	8-26

TABLE OF CONTENTS

FIGURE NO.	TITLE	PAGE NO.
SECTION 9 –		
HYDRAULIC COMPONENTS		9-1
9-1	Lift Cylinder	9-2
9-2	Extend/Retract Cylinder	9-4
9-3	Tilt Cylinder	9-6
9-4	Compensating Cylinder	9-8
9-5	Hydraulic Quick Coupler Cylinder	9-10
9-6	Rotate/Side Tilt Cylinder & Grapple Bucket Cylinder	9-12
9-7	Universal Side Shift Cylinder	9-14
9-8	Main Control Valve	9-16
9-9	Front Drive Motor	9-18
9-10	Hydrostatic Transmission	9-20
9-11	Divertor Valve	9-22
9-12	Steering Select Valve	9-26
9-13	Blocking Valve	9-28
9-14	Pilot Select Valve	9-30
9-15	Brake Valves	9-32
9-16	LSI Valve	9-34
9-17	Auxiliary Hydraulic Pressure Relief Valve	9-36
SECTION 10 –		
ELECTRICAL		10-1
10-1	Electrical Install	10-2
10-2	Road Lights Install	10-6
10-3	Work Lights Install	10-10
10-4	Cab Switches	10-12
10-5	Cab Fuse Holder	10-14
10-6	Frame Base Harness	10-16
10-7	Frame Option Harness	10-18
10-8	Cab Harness	10-20
10-9	Cab Roof Harness	10-22
10-10	Roof Worklights Harness	10-24
10-11	Boom Worklights Harness	10-26
10-12	AC System Harness	10-28
10-13	Boom Aux Harness	10-30
10-14	LSI Timer Install	10-32
10-15	LMI Install	10-34
10-16	Speedometer Sensor Install	10-36
SECTION 11 –		
DECALS		11-1
11-1	Decal Installation	11-2

TABLE OF CONTENTS

FIGURE NO.	TITLE	PAGE NO.
SECTION 12 –		
MAINTENANCE PARTS LIST		12-1
SECTION 13 – PART NUMBER INDEX		13-1

SMCS CODES - TELEHANDLER

1350 ENGINE COOLING SYSTEM

1351 RADIATOR & OIL COOLER
1353 RADIATOR
1354 EXPANSION TANK
1360 FAN GUARD
1374 HYDRAULIC OIL COOLER
1375 TORQUE CONVERTER / TRANSMISSION OIL COOLER
1380 COOLANT HOSE / LINES
1381 RADIATOR AND GUARD
1382 RADIATOR CAP
1384 ENGINE COOLANT HEATER
1386 HYDRAULIC FAN MOTOR
1387 HYDRAULIC FAN PUMP
1395 ENGINE COOLANT

1400 ELECTRICAL SYSTEM

1401 BATTERY
1402 BATTERY CABLE
1408 WIRING HARNESS
1416 START SWITCH
1417 FUSE / CIRCUIT BREAKER PANEL
1428 BACKUP LIGHT(S)
1429 LIGHT(S)
1430 DIRECTIONAL LIGHT
1431 BEACON LIGHT(S)
1432 STOP /LIGHT / TAILLIGHT
1434 CAB LIGHT
1434 FLOODLIGHT

OTHER ENGINE COMPONENTS

1801 ENGINE SOUND SUPPRESSION
1802 REFRIGERANT COMPRESSOR
1805 REFRIGERANT CONDENSER
1807 AIR CONDITIONER COMPRESSOR DRIVE
1808 AIR CONDITIONER LINES
1810 RADIATOR & REFRIGERANT CONDENSER
1812 HEATER / HOSE LINES
1813 RADIATOR HOSE

3000 TRANSMISSION & DRIVE LINE

3013 AXLE ARRANGEMENT
3020 DRIVE & STEERING AXLE
3061 TRANSMISSION GEARS
3063 TRANSMISSION SHAFT
3064 TRANSMISSION CASE
3065 TRANSMISSION CONTROL
3066 TRANSMISSION OIL PUMP
3067 TRANSMISSION OIL FILTER
3068 TRANSMISSION OIL FILTER BASE
3075 TRANSMISSION OUTPUT GEARS
3080 TRANSMISSION OIL
3081 TRANSMISSION OIL LEVEL
3082 TRANSMISSION MOUNT

3100 TORQUE CONVERTER, TORQUE DIVIDER, RETARDER

3101 TORQUE CONVERTER
3115 TORQUE CONVERTER/TRANSMISSION SCAVENGE PUMP
3133 TORQUE CONVERTER RELIEF VALVE
3139 MODULATING VALVE
3141 TORQUE CONVERTER SPEED SENSOR

3030 POWER SHIFT / HYDROSTATIC TRANSMISSION

3063 TRANSMISSION SHAFT
3064 TRANSMISSION CASE
3065 HYDROSTATIC CONTROL LINKAGE (EXTERNAL)
3066 POWER SHIFT TRANSMISSION OIL PUMP
3067 HYDROSTATIC TRANSMISSION OIL FILTER
3073 HYDROSTATIC MAIN CONTROL VALVE
3151 TRANSMISSION GOVERNOR
3154 TRANSMISSION LINES/HOSES
3155 TRANSMISSION CLUTCH
3157 TRANSMISSION SELECTOR VALVE
3159 TRANSFER GEARS
3160 TRANSMISSION PLANETARY
3167 TRANSMISSION HYDRAULIC CONTROL
3168 TRANSMISSION ELECTRONIC CONTROL
3174 SHIFT SOLENOID
3175 TRANSMISSION SPEED SENSOR

SMCS CODES - TELEHANDLER

3181 TRANSMISSION NEUTRALIZER CONTROL VALVE
3182 TRANSMISSION LUBRICATION RELIEF VALVE
3184 TRANSMISSION OIL COOLER BYPASS VALVE
3186 TRANSMISSION PLANET CARRIER
3187 TRANSMISSION CARRIER THRUST DISC/PLATE
3190 TRANSMISSION CLUTCH PLATE
3191 TRANSMISSION NEUTRALIZER
3194 TRANSMISSION TEMPERATURE SENSOR
3202 TRANSMISSION FLOW CONTROL VALVE
3203 DRIVE PUMP
3204 CHARGE PUMP
3205 SERVO CONTROL VALVE
3206 MANIFOLD/METERING VALVE
3207 SERVO CYLINDER
3210 HIGH PRESSURE RELIEF VALVE
3213 CHARGE & MAIN RELIEF VALVE
3214 SYNCHRONIZING VALVE
3215 POWER UNIT CONTROL LINKAGE
3216 TRANSMISSION UNDERSPEED/OVERSPEEDVALVE
3219 TRANSMISSION PILOT OVERSPEED VALVE
3220 TRAVEL SPEED CONTROL VALVE
3221 HYDROSTATIC POWER CASE
3222 PUMP HEAD
3223 TRANSMISSION UNDERSPEED OVERRIDE VALVE
3225 TRAVEL ELECTRONIC CONTROL
3226 DOWNSHIFT INHIBITOR

3250 DRIVE LINE/DRIVE AXLE
3251 UNIVERSAL JOINT
3252 FLEXIBLE COUPLING
3253 DRIVE SHAFT
3254 DRIVE LINE PINION
3256 BEVEL GEAR/SHAFT
3257 BEVEL GEAR SHAFT BEARING
3258 DIFFERENTIAL
3259 AXLE SHAFT
3260 AXLE HOUSING ASSEMBLY
3263 LIMITED SLIP DIFFERENTIAL
3267 DRIVE SHAFT SUPPORT
3268 AXLE HOUSING SUPPORT/TRUNNION

3269 PINION HOUSING
3274 CONSTANT VELOCITY UNIVERSAL JOINT
3275 DRIVE LINE BRAKE
3276 DRIVE LINE BRAKE DISC
3278 DRIVE AXLE
3281 BEVEL GEAR CASE
3282 AXLE
3283 DIFFERENTIAL CASE
3284 DIFFERENTIAL CARRIER

4000 DRIVE TRAIN
4004 BRAKE & AXLE
4005 STEERING & BRAKING SYSTEM

4050 FINAL DRIVE
4051 FINAL DRIVE & WHEEL
4052 FINAL DRIVE SEAL
4053 DRIVE AXLE HUB/GEAR ASSEMBLY
4054 FINAL DRIVE HUB
4055 FINAL DRIVE GEARS
4056 FINAL DRIVE - DRIVE SHAFT
4057 FINAL DRIVE PINION FLANGE
4059 FINAL DRIVE CASE/BORE
4084 FINAL DRIVE PLANETARY CARRIERS, HUB & RING GEAR
4091 FINAL DRIVE PINION
4092 PLANETARY FINAL DRIVE CARRIER
4093 FINAL DRIVE PLANETARY CARRIER THRUST SURFACE
4094 FINAL DRIVE PINION & FLANGE

4200 WHEEL & TIRE
4201 WHEEL
4202 RIM & TIRE
4203 TIRE
4208 WHEEL ASSEMBLY
4209 WHEEL RIM
4210 WHEEL STUD/BOLT/NUT
4220 MUD GUARD
4233 STEER TIRE, PNEUMATIC

SMCS CODES - TELEHANDLER

4250 BRAKING SYSTEM

4251 SERVICE BRAKE
4255 BRAKE DISC
4256 BRAKE CALIPER, HEAD ASSEMBLY
4257 BRAKE LINES
4258 BRAKE MASTER CYLINDER
4262 BRAKE ACTUATOR
4265 SERVICE BRAKE CONTROL VALVE
4267 PARKING BRAKE
4269 SERVICE BRAKE CONTROL
4273 FRICTION PADS
4282 PARKING/SECONDARY BRAKE CONTROL VALVE
4284 PARKING BRAKE CONTROL
4291 BRAKE HYDRAULIC RESERVOIR

4300 STEERING SYSTEM

4301 STEERING GEAR
4303 STEERING CYLINDER
4307 STEERING VALVE
4309 STEERING WHEEL
430S STEERING SENSOR
4310 STEERING COLUMN
4312 STEERING METERING PUMP
4313 STEERING AXLE
4314 KINGPIN
4318 TIE ROD
4321 STEERING KNUCKLE
4322 STEERING RELIEF VALVE
4329 TIE ROD END
4338 ADJUSTABLE STEERING COLUMN
4349 STEERING SELECTOR & PRESSURE CONTROL VALVE

4350 HYDROSTATIC DRIVE

4351 HYDRAULIC PROPEL/DRIVE MOTOR
4352 DRIVE CONTROL VALVE
4267 HYDROSTATIC DRIVE PARKING BRAKE
4354 BRAKE RELEASE PUMP
4355 HYDROSTATIC DRIVE GEAR REDUCER
4356 BRAKE & SHIFT VALVE

5000 IMPLEMENT CONTROLS

5001 IMPLEMENT CONTROL LOCK
5002 HYDRAULIC & FUEL TANK
5004 RIDE CONTROL SYSTEM
5005 AUXILIARY HYDRAULIC CIRCUIT

5050 HYDRAULIC SYSTEM

5051 HYDRAULIC CONTROL VALVE
5056 HYDRAULIC TANK
5057 HYDRAULIC HOSES/LINES
5059 PILOT CONTROL VALVE
505C PISTON CYLINDER
5063 IMPLEMENT CONTROL
5068 HYDRAULIC OIL FILTER
5069 MAIN SYSTEM RELIEF VALVE
506P IMPLEMENT PRIORITY VALVE
5070 PISTON PUMP
5071 HYDRAULIC OIL COOLER BYPASS VALVE
5072 PILOT SYSTEM RELIEF VALVE
5084 IMPLEMENT PUMP
5086 COMPENSATOR VALVE
5093 HYDRAULIC FILTER BYPASS VALVE
5095 HYDRAULIC OIL
509T HYDRAULIC OIL TEMPERATURE SENSOR

5100 LIFT, TILT, TIP & OTHER CONTROLS

5102 LIFT/HOIST CYLINDER
5103 LIFT CYLINDER TRUNNION
5104 TILT CYLINDER
5106 TIP CYLINDER
5116 ATTACHMENT CYLINDER
5130 LOCK VALVE
5141 HITCH LIFT CYLINDER
5144 FRAME LEVEL VALVE
5486 EXTENSION CYLINDER

SMCS CODES - TELEHANDLER

5700 IMPLEMENT ELECTRONIC CONTROLS

5701 IMPLEMENT ELECTRONIC CONTROL MODULE
(PREPROGRAMMED)
5702 IMPLEMENT HYDRAULIC ELECTRONIC CONTROL
5705 JOYSTICK
5734 HYDRAULIC SYSTEM WIRING HARNESS
5735 FRAME LEVEL CONTROL

5800 OTHER CONTROLS

5804 SIDESHIFT CYLINDER
5811 LOAD CONTROL VALVE
5816 COMPENSATING CYLINDER
5823 FORK LEVEL CYLINDER

6400 MATERIAL HANDLING ATTACHMENTS

6402 STANDARD CARRIAGE
6404 LIFT CHAIN
6405 LIFT FORK
6408 ROTATING CARRIAGE
6409 WIDE CARRIAGE
6416 BALE CLAMP
6425 SIDESHIFT CARRIAGE
6459 LIFTING HOOK
6460 TELESCOPING BOOM
6461 MAN BASKET

7050 FRAME

7051 MAIN FRAME
7056 COUNTERWEIGHT
7059 FUEL TANK, SEAT & FRAME
7078 FRAME LEVEL CYLINDER

7100 HITCH

7105 FIXED DRAWBAR
7116 HITCH/TOW PIN

7150 GUARD

7151 CRANKCASE GUARD
7154 ENGINE GUARD
7155 RADIATOR GUARD
7159 OVERHEAD GUARD

7165 CAB/CANOPY SCREEN

7170 RADIATOR GRILLE
7177 ROPS ROLL BAR
7192 WHEEL CHOCK

7200 SUSPENSION

7221 OUTRIGGER

7250 BODY

7251 HOOD
7252 FENDER
7253 PLATFORM/DECK
7257 BATTERY BOX/SUPPORT
7261 PLATFORM SOUND SUPPRESSION
7262 FIREWALL
7263 ENGINE ENCLOSURE
7264 ROPS MOUNT REAR SUPPORT
7265 FLOORPLATE
7266 ROPS MOUNT
7267 BODY PANEL
726A ACCESS PANEL
726M FLOORMAT
7272 RADIATOR ENCLOSURE/SHROUD
7273 COMPARTMENT DOOR
7276 MACHINE ENCLOSURE

7300 OPERATOR STATION

7301 CAB
7302 CANOPY
7304 CAB HEATER
7305 WINDSHIELD WIPER
7306 WINDSHIELD WASHER
7307 SEAT/ARM CUSHION
7308 CAB DOOR
7309 HEATER & AIR CONDITIONER
7310 WINDOW GLASS
7312 SEAT ASSEMBLY
7314 DASH
7316 CAB AIR FAN
7319 MIRROR

SMCS CODES - TELEHANDLER

731S SEAT AIR COMPRESSOR

7320 AIR CONDITIONER

7321 SEAT FRAME

7322 AIR CONDITIONER RECEIVER/DRYER

7323 ROPS/FOPS CANOPY

7324 SUSPENSION SEAT

7325 ROPS/FOPS CAB

7327 SEAT BELT

7329 CAB LINER/SOUND SUPPRESSION

7330 CANOPY SOUND SUPPRESSION

7332 ELECTRIC SWITCH (MANUAL)

7338 RADIO

7340 WINDSHIELD

7342 CAB AIR FILTER

7400 PROTECTION DEVICES, ALARMS & INDICATORS

7402 WARNING HORN

7405 INSTRUCTION/WARNING PLATE/FILM

7406 BACK-UP ALARM

7407 ACTION ALARM

7420 LOW COOLANT TEMPERATURE ALARM

7421 LOW ENGINE OIL PRESSURE SHUTOFF

7431 WARNING/INDICATOR LIGHT

7450 GAUGES & INDICATORS

7451 INSTRUMENT PANEL/CONTROL PANEL

7452 AIR FILTER INDICATOR

7453 ENGINE COOLANT TEMPERATURE GAUGE

7455 ENGINE OIL PRESSURE GAUGE

7459 TRANSMISSION GEAR/SHIFT INDICATOR

7462 TACHOMETER

7463 SPEEDOMETER

7464 ODOMETER

7467 AMMETER

7470 COOLANT LEVEL GAUGE

7475 OIL FILTER INDICATOR

7477 TRANSMISSION/TORQUE CONVERTER
TEMPERATURE GAUGE

7478 SERVICE METER

7479 SIGHT GAUGE

7480 ELECTRIC HOUR METER

7481 FUEL LEVEL GAUGE

7483 LOW FUEL LEVEL INDICATOR

7485 ENGINE LOW OIL PRESSURE INDICATOR

7486 PARKING BRAKE INDICATOR LIGHT

7488 HYDRAULIC OIL TEMPERATURE GAUGE

7490 ELECTRONIC MONITORING SYSTEM/PANEL

7493 GROUND SPEED SENSOR

7496 ALTERNATOR INDICATOR

7500 MAINTENANCE

7501 FIRST SERVICE INTERVAL

7502 SECOND SERVICE INTERVAL

7503 THIRD SERVICE INTERVAL

7504 FOURTH SERVICE INTERVAL

7507 LIFT ARM SUPPORT

751B BATTERY CHARGER

7524 250 SERVICE HOUR MAINTENANCE

7525 500 SERVICE HOUR MAINTENANCE

7526 1000 SERVICE HOUR MAINTENANCE

7527 2000 SERVICE HOUR MAINTENANCE

7534 750 SERVICE HOUR MAINTENANCE

7542 SOS

7550 COMMON SUBJECTS

7551 BEARINGS

7552 GEARS

7553 FASTENERS, CONNECTORS & HARDWARE

7554 HOSES & LINES

7555 SEALS & GASKETS

7556 WIRE

7557 INFORMATION/IDENTIFICATION PLATES &
TRANSFERS

7558 WEAR SLEEVES

7559 PAINTED SURFACES

755R RETAINER SYSTEM

7560 COMPARTMENT FLUID LEVEL

7561 DUO-CONE SEAL

7562 HYDRAULIC CYLINDERS

7569 TROUBLESHOOTING PROCEDURE

756P MAINTENANCE PARTS

7570 PRODUCT UPDATE PROGRAM

SMCS CODES - TELEHANDLER

7571 SOS ENGINE PRODUCT INFORMATION	7771 SOS "URGENT" REPORTS
7573 SOS TRANSMISSION PRODUCT INFORMATION	7851 FUEL FILTER INDICATOR
7574 SOS DRIVE TRAIN PRODUCT INFORMATION	7856 STABILITY INDICATOR
7575 SOS HYDRAULIC PRODUCT INFORMATION	7858 ANGLE INDICATOR
7576 SOS OTHER PRODUCT INFORMATION	7859 ENGINE OIL TEMPERATURE GAUGE
7577 SOS FLUID INFORMATION	7942 PERSONALITY MODULE - UPDATE ELECTRONIC COMPONENTS
7578 SOS FILTER INFORMATION	7950 MISCELLANEOUS
7579 FLUID	79M4 OTHER ADJUSTMENTS
7581 PAINTING & LUBRICATION	
7588 PRE-DELIVERY INSPECTION	
7589 PRE-DELIVERY WARRANTY	
7590 DELIVERY	
7591 FIRST REVISIT	
7592 SECOND REVISIT	
7593 USER ACCEPTANCE/FIELD FOLLOW	
7594 CONTRACT FIELD FOLLOW RECORDS	
7595 GENERAL OVERHAUL (NO FAILURE)	

7600 MACHINE ELECTRONIC CONTROLS & DATA MANAGEMENT SYSTEMS

7606 PRODUCT LINK SYSTEM

7610 PROGRAMMABLE CONTROL

7620 SOFTWARE

7630 INTERLOCK ELECTRONIC CONTROL MODULE

7631 MACHINE SECURITY SYSTEM

7700 SERVICE CLAIM CATEGORIES

7714 ROLL OVER PROTECTION STRUCTURE
DECERTIFIED

7715 ROLL OVER PROTECTION STRUCTURE
RECERTIFIED

7729 HEUI ACTUATION (OIL)

7730 REPAIR PROCEDURE (RP) PROGRAM

7750 DEFECTIVE PARTS STOCK

7751 PRODUCT IMPROVEMENT PROGRAM (PIP)

7752 PARTS STOCK CLAIM

7754 REMANUFACTURED COMPONENT

7755 PRODUCT SUPPORT PROGRAM (PSP)

7756 SERVICE ENGINEERING REQUESTED WORK

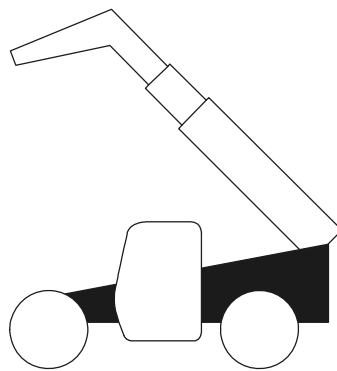
7760 INFORMATION RECORD ONLY

7762 DELIVERY DATE/SERVICE FEE

7770 SOS GENERAL INFORMATION

SECTION 1

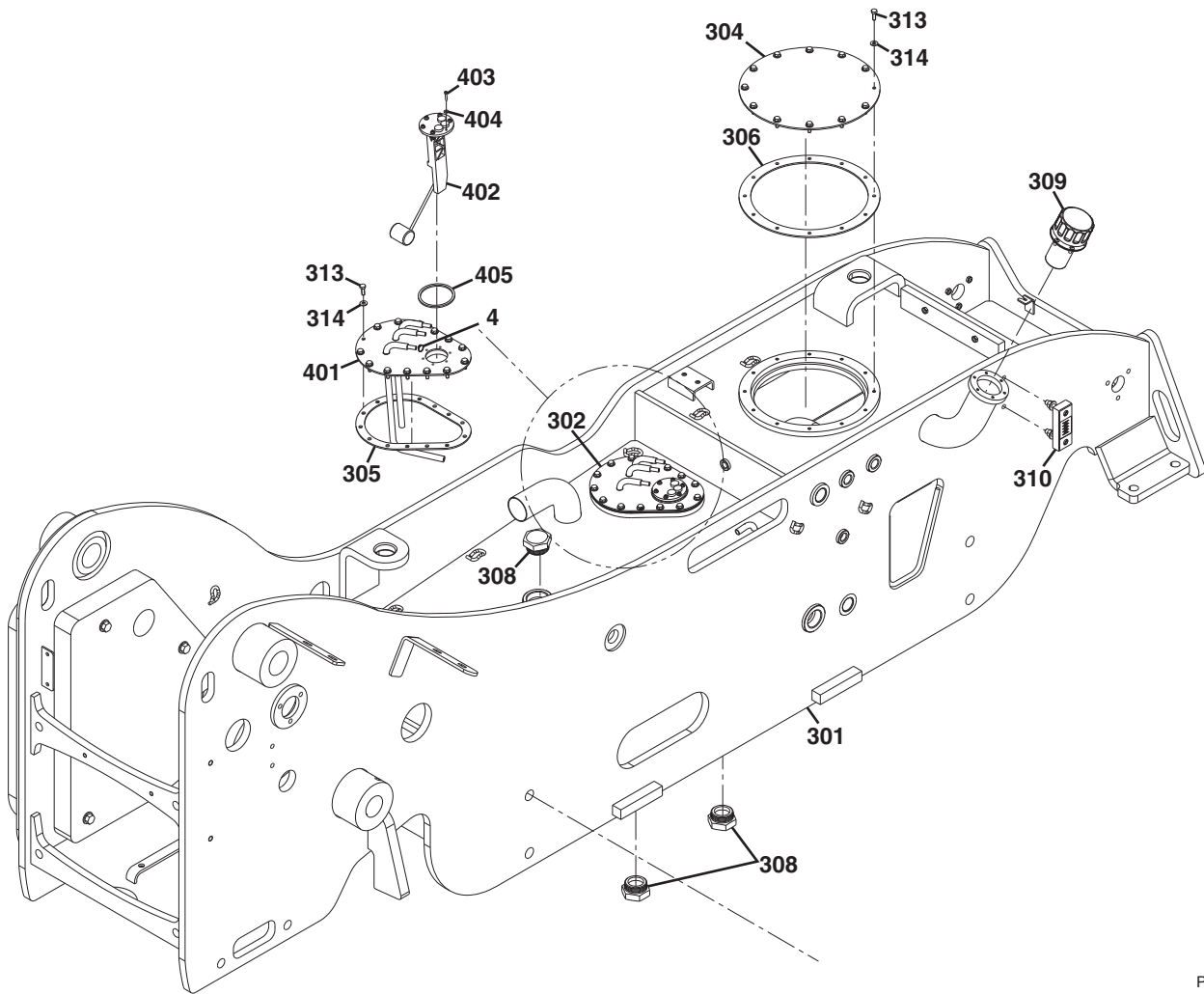
FRAME & ATTACHING PARTS





FRAME & ATTACHING PARTS

Figure 1-1 Frame Shrouding & Attaching Parts, Right Side



PAL3853

FRAME & ATTACHING PARTS

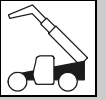
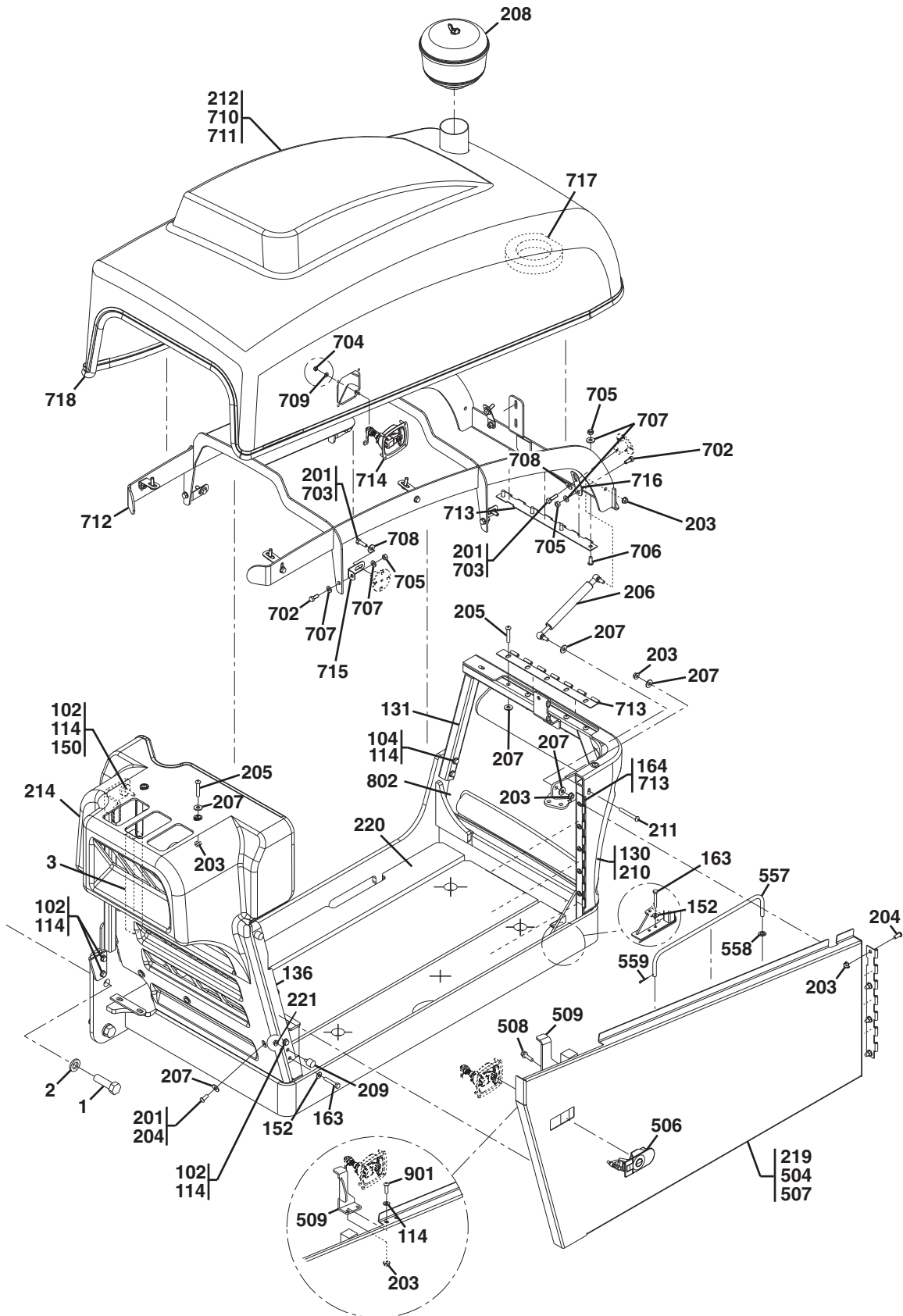


Figure 1-1 Frame Shrouding & Attaching Parts, Right Side (Continued)



PAL3843



FRAME & ATTACHING PARTS

Figure 1-1 Frame Shrouding & Attaching Parts, Right Side

Item	Part Number	Qty.	Description	Rev.
	317-3319	1	ENGINE POD INSTALLATION, (not available to order, see items 1 thru 4 for service)	D
1	309-2835	4	HEX HD CAPSCREW, 3/4-10X2-1/2,GR8	
2	298-7394	4	WASHER, 3/4	
3	317-3306	1	FOAM GASKET SEAL	
4	330-8103	3	HOSE CLAMP	
102	297-7016	7	HEX HD CAPSCREW, 5/16-18X3/4, GR5	
104	297-7021	2	HEX HD CAPSCREW, 5/16-18X1-3/4, GR5	
114	298-7364	11	WASHER, 5/16, (Before S/N TBS00206)	
	298-7364	9	WASHER, 5/16, (S/N TBS00206 & After)	
130	315-4207	1	ENGINE POD FRAME	
131	317-5924	1	HOOD SUPPORT	
136	317-5965	1	REAR ENGINE MOUNT	
150	330-3837	1	WASHER, 0.375X1.25	
152	298-7363	4	WASHER, 1/4	
163	297-7011	5	HEX HD CAPSCREW, 1/4-20X3/4, GR5	
164	322-0639	5	BUTTON HEAD SCREW, 5/16-18X1-3/4	
	331-8029	1	HOOD INSTALLATION, (ANSI) , (not available to order, see items 201 thru 219 & 221 for service)	M, 7
		1	HOOD INSTALLATION, (ANSI) , (Agricultural) (not available to order, see items 201 thru 219 & 221 for service)	M, 1
	331-8030	1	HOOD INSTALLATION, (CE & AUS) (not available to order, see items 201 thru 221 for service)	M, 7
	356-6564		HOOD INSTALLATION, (CE & AUS) , (Agricultural) (not available to order, see items 201 thru 221 for service)	M, 1
201		AR	CAT THREADLOCK	
203	330-6145	11	HEX LOCK NUT, 5/16-18, (Before S/N TBS00206)	
	330-6145	9	HEX LOCK NUT, 5/16-18, (S/N TBS00206 & After)	
204	030-8294	7	BUTTONHEAD SCREW, 5/16-18X3/4	
205	342-1948	15	BUTTONHEAD SCREW, 5/16-18X1 3/4	
206	343-3807	1	GAS SPRING	
207	4B-5270	10	WASHER, 5/16	
208	231-3761	1	PRECLEANER	
209	317-3285	2	RUBBER BUMPER	
210	331-8024	1	FRONT ENGINE COVER	
211	307-7359	1	BUTTONHEAD SCREW, 5/16-18X2.5	
212	331-4486	1	ENGINE HOOD, (ANSI) , (includes items 201, 702 thru 709, & 711 thru 718)	C
	331-4488	1	ENGINE HOOD, (CE & AUS) , (includes items 201, 702 thru 718)	C
214		Ref	REAR ENGINE COVER, (see Figure 1-7 for details)	
219	327-5533	1	ENGINE DOOR, (includes 2 of items 114, 203, & items 504, 506, 509 & 901), (Before S/N TBS00206)	
	331-8020	1	ENGINE DOOR, (includes items 504, 506, 508 & 509), (ANSI) , (S/N TBS00206 & After)	
	331-8021	1	ENGINE DOOR, (includes items 504 thru 509), (CE & AUS) , (S/N TBS00206 & After)	
220		Ref	ENGINE POD TRAY INSULATION INSTALL, (see Figure 1-3 for details)	E
221	211-0089	2	NUT, 1/4-20	
	309-9167	1	FRAME COMPONENT ASSY, (includes items 301 thru 314)	G,6
301	309-2848	1	FRAME WELDMENT	

FRAME & ATTACHING PARTS

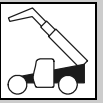


Figure 1-1 Frame Shrouding & Attaching Parts, Right Side (Continued)

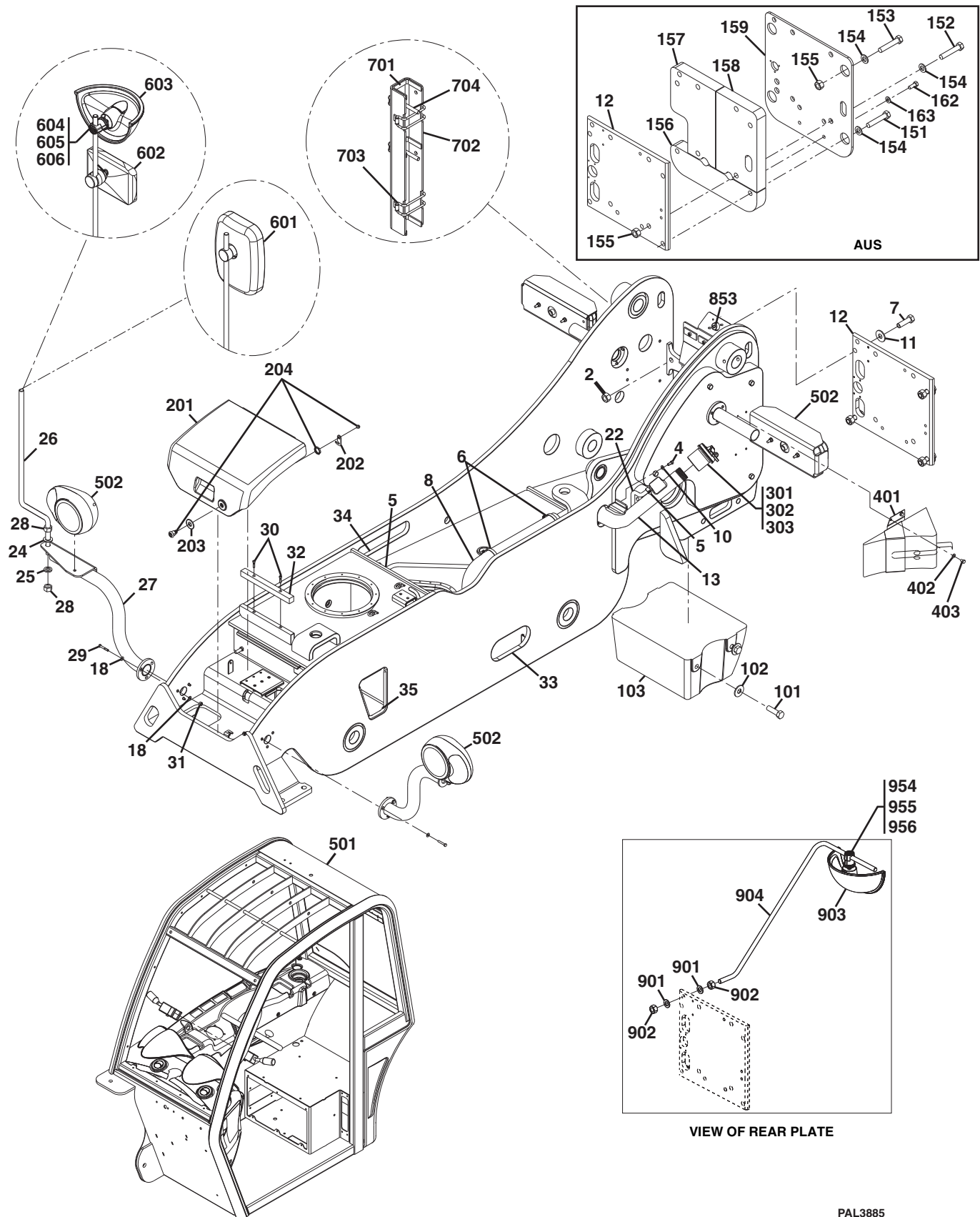
Item	Part Number	Qty.	Description	Rev.
302	309-2841	1	FUEL TANK COVER ASSY, (includes items 401 thru 405)	B
304	309-2838	1	HYDRAULIC TANK COVER	
305	309-2852	1	FUEL TANK COVER GASKET	
306	309-2839	1	HYDRAULIC COVER GASKET	
308	334-5135	3	PLUG, (includes o-ring)	
309	323-6144	1	VENTED HYDRAULIC FILLER CAP	
310	309-2843	1	CUSTOM SIGHT GAGE	
313	309-2834	26	HEX HD CAPSCREW, 1/4-20X3/4, GR8	
314	298-7363	26	WASHER, 1/4	
401	309-2850	1	FUEL TANK COVER	
402	309-2849	1	FUEL GAGE	
403	309-2855	6	SOCKET HD CAPSCREW, 6-32X3/4	
404	304-4555	6	WASHER, #6	
405	309-9036	1	FUEL LEVEL SENDER GASKET	
504	317-3280	1	ENGINE COMPARTMENT DOOR	
506	317-3288	1	COMPRESSION LEVER LATCH	
507		Ref	DOOR PANEL INSULATION INSTALL, (see Figure 1-3 for details)	
508	334-5142	2	SCREW, 5/16-18X1	
509	317-3286	1	HOOD LATCH BRACKET, (Before S/N TBS00206)	
	334-5144	1	HOOD LATCH PLATE, (S/N TBS00206 & After)	
557	326-5101	1	ROD	
558	334-5884	1	PUSHNUT	
559	317-3326	1	COTTER PIN	
702	297-7016	9	HEX HD CAPSCREW, 5/16-18X3/4, GR5	
703	297-7017	9	HEX HD CAPSCREW, 5/16-18X1, GR5	
704	303-4779	4	HEX LOCK NUT, M6X1, GR5	
705	298-0552	13	HEX LOCK NUT, 5/16-18, GR2	
706	298-0568	4	BUTTONHEAD SCREW, 5/16-18X3/4	
707	298-7364	22	WASHER, 5/16	
708	298-7373	9	WASHER, 5/16	
709	8T-4205	4	WASHER, 6mm	
710		Ref	HOOD INSULATION INSTALL, (see Figure 1-3 for details)	
711	317-3271	1	ENGINE COVER	
712	317-3273	1	HOOD SUPPORT	
713	317-3277	2	CONTINUOUS HINGE	
714	317-3316	1	COMPRESSION LATCH	
715	317-3294	7	HOOD ATTACH CLIP	
716	317-3295	2	HOOD ATTACH CLIP	
717	317-3297	1	AIR INTAKE HOOD SEAL	
718	317-3301	14.8ft	SELF GRIPPING BULB SEAL	
	331-8025	Ref	FRONT ENGINE COVER, (CE & AUS) , (not available to order, see items 210 & 802 for service)	
802		Ref	FRONT COVER INSULATION INSTALL, (see Figure 1-3 for details)	
901	318-4658	2	BUTTON HD SCREW, 5/16-18X1, (Before S/N TBS00206)	

NOTE: ITEM NUMBERS NOT LISTED ARE NOT USED ON THIS FIGURE.



FRAME & ATTACHING PARTS

Figure 1-2 Frame Shrouding & Attaching Parts, Left Side



PAL3885