

Hose Management Guide

330

SN: 5YM

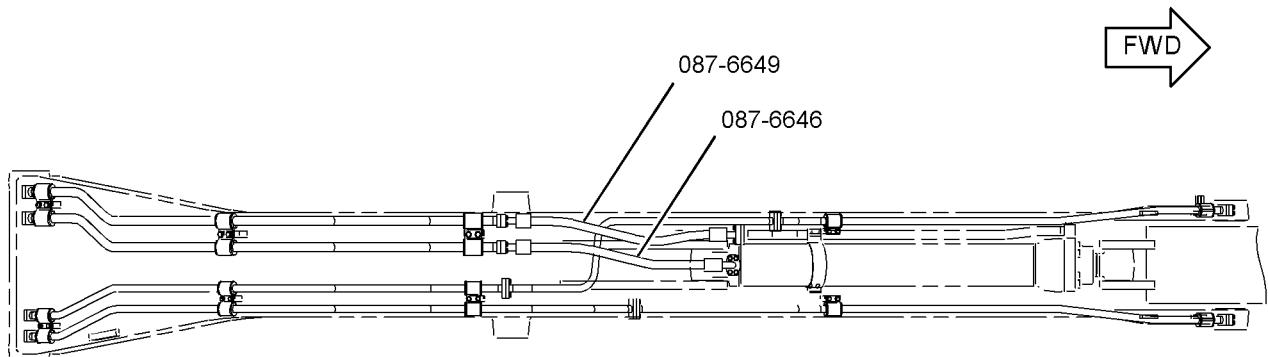
113-6846/113-6849/

7Y-8583/7Y-7984

Lines Group – Boom

g00261161

Assembly Part No.	Reusable Coupling 1	Reusable Coupling 2	Hose Type
087-6649	2P-6733	2P-6733	XT-5ES
087-6646	2P-6732	2P-6733	XT-5ES



TOP VIEW

Marketing & Product Support Division, Hydraulic Parts Product
Caterpillar Inc.© 2007

Hose Management Guide

330

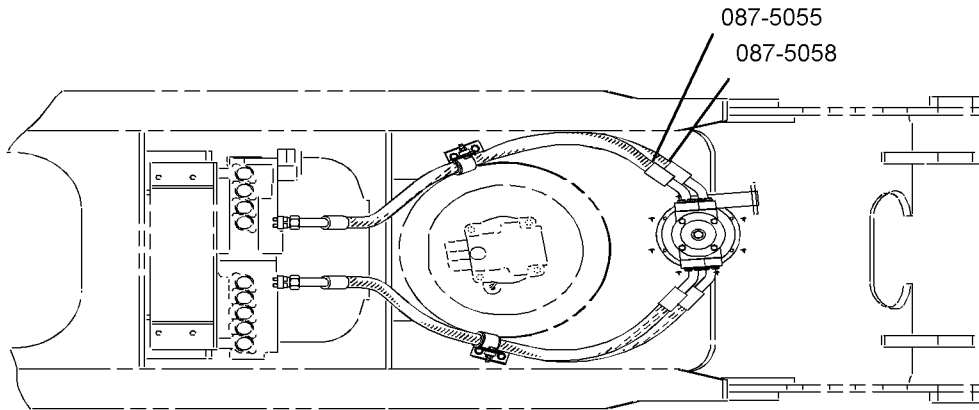
SN: 5YM

102-0260

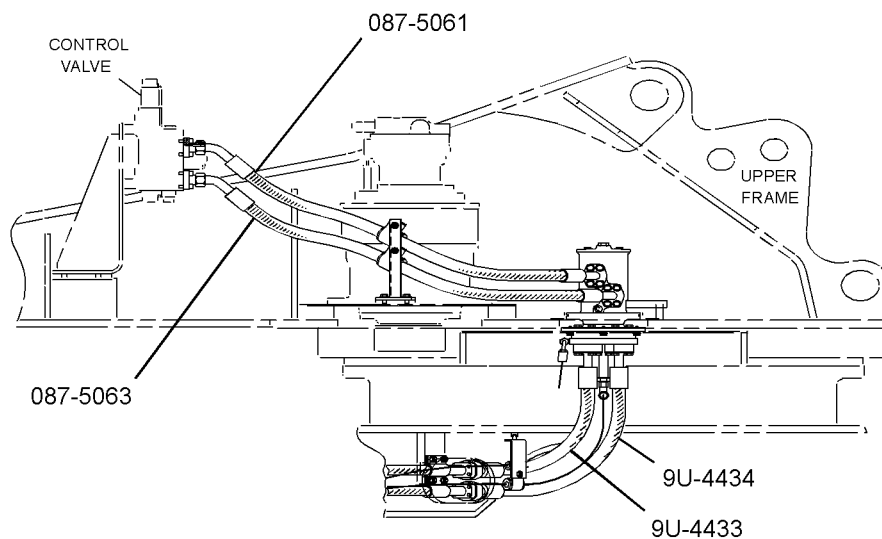
Lines Group – Travel Motor

g00239451

Assembly Part No.	Reusable Coupling 1	Reusable Coupling 2	Permanent Coupling 1	Permanent Coupling 2	Hose Type
087-5058	7X-4814	5P-1128			XT-5ES
087-5055	7X-4814	5P-1128	7X-4817	3E-6802	XT-5ES
087-5061	7X-4814	5P-1128			XT-5ES
087-5063	7X-4814	5P-1128			XT-5ES
9U-4433	5P-1125	5P-1125	3E-6806	3E-6806	XT-5ES
9U-4434	5P-1125	5P-1125	3E-6806	3E-6806	XT-5ES



TOP VIEW



RIGHT SIDE VIEW

Marketing & Product Support Division, Hydraulic Parts Product
Caterpillar Inc.© 2007

Hose Management Guide

330

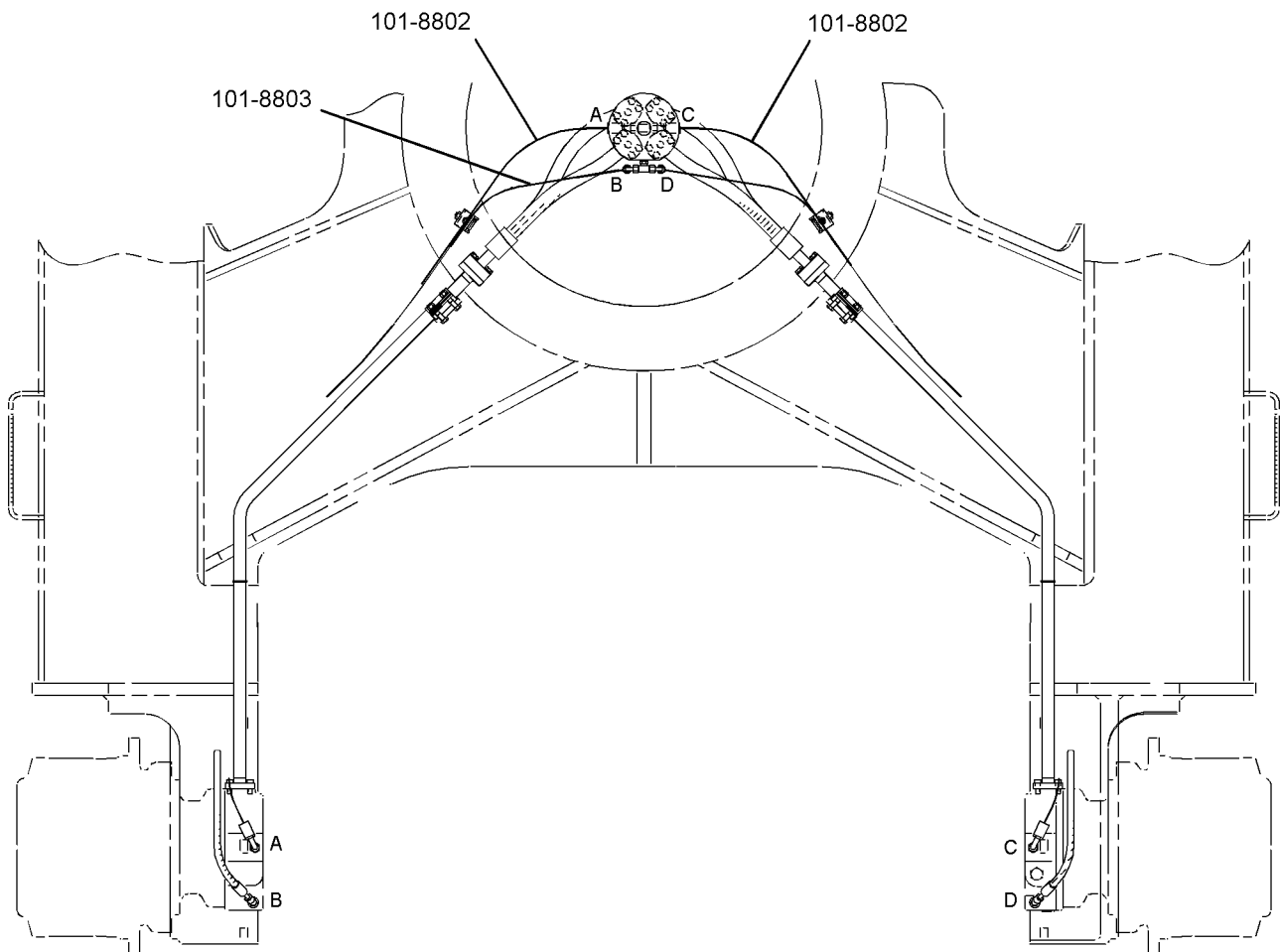
SN: 5YM

102-0260

Lines Group – Travel Motor

g00233053

Assembly Part No.	Permanent Coupling 1	Permanent Coupling 2	Hose Type
101-8802	6V-9595	6V-9588	1028
101-8803	6V-9594	6V-9587	1028



Hose Management Guide

330

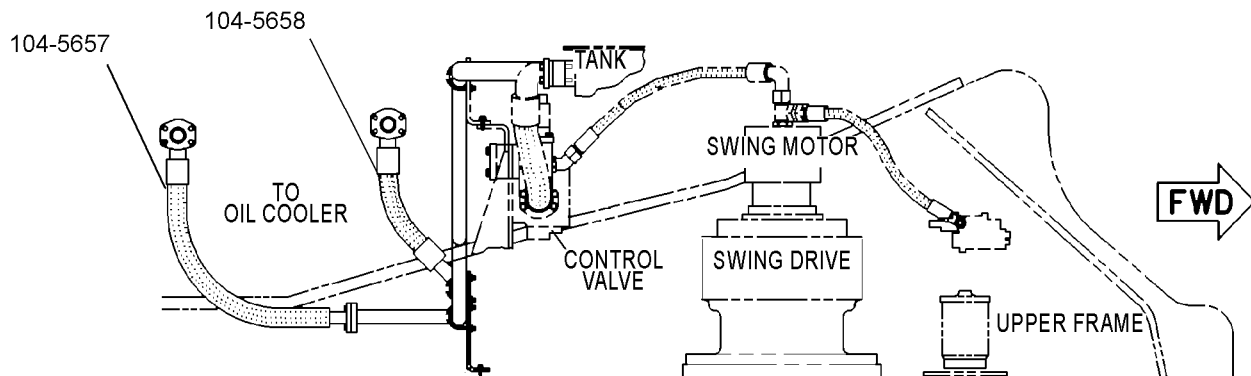
SN: 5YM

103-6303

Lines Group – Hydraulic Oil Cooler

g00232346

Assembly Part No.	Permanent Coupling 1	Permanent Coupling 2	Hose Type
104-5657	124-2107	124-2095	716
104-5658	124-2107	124-2089	716



Hose Management Guide

330

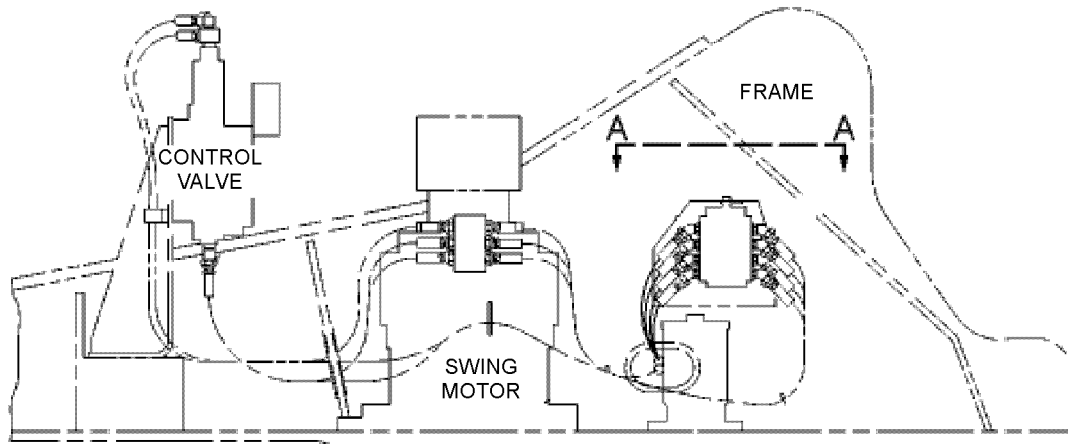
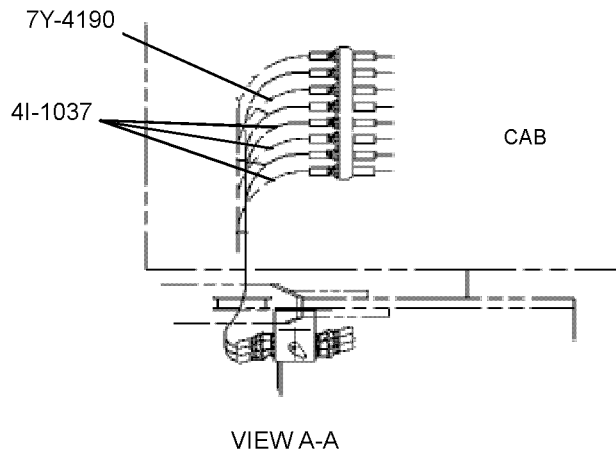
SN: 5YM

4I-5980

Lines Group – Pilot

g00229022

Assembly Part No.	Permanent Coupling 1	Permanent Coupling 2	Hose Type
7Y-4190	146-3340	146-3340	2760
4I-1037	NO REBUILD		



Marketing & Product Support Division, Hydraulic Parts Product
Caterpillar Inc.© 2007