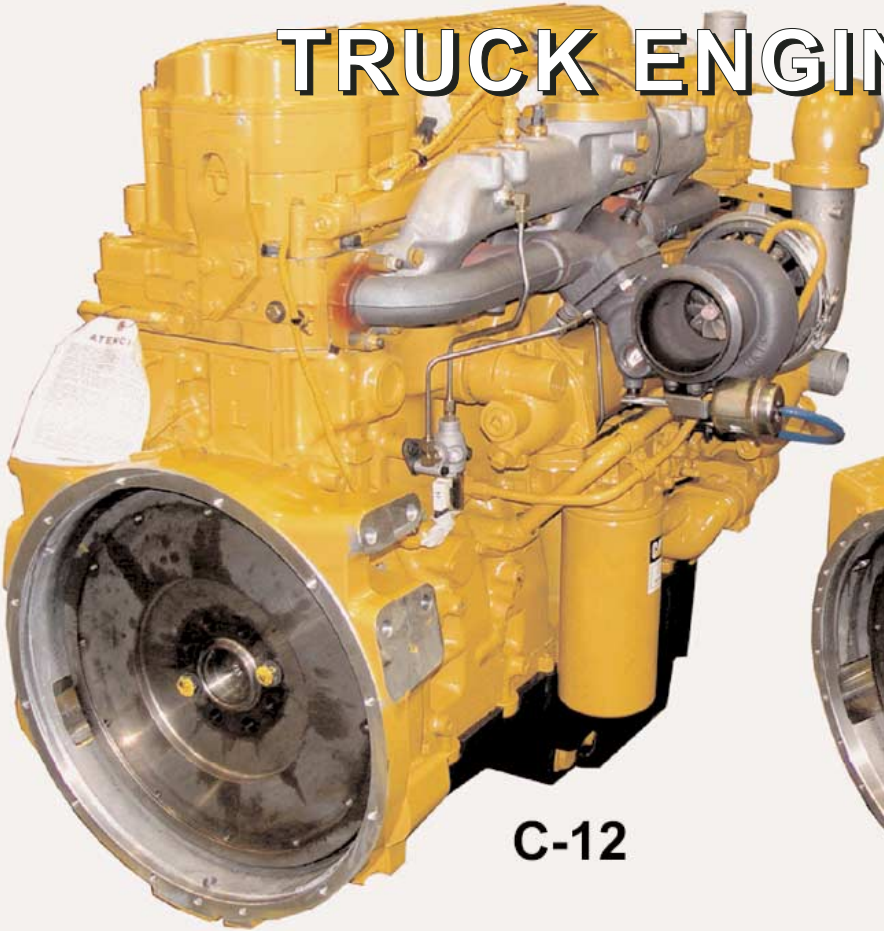
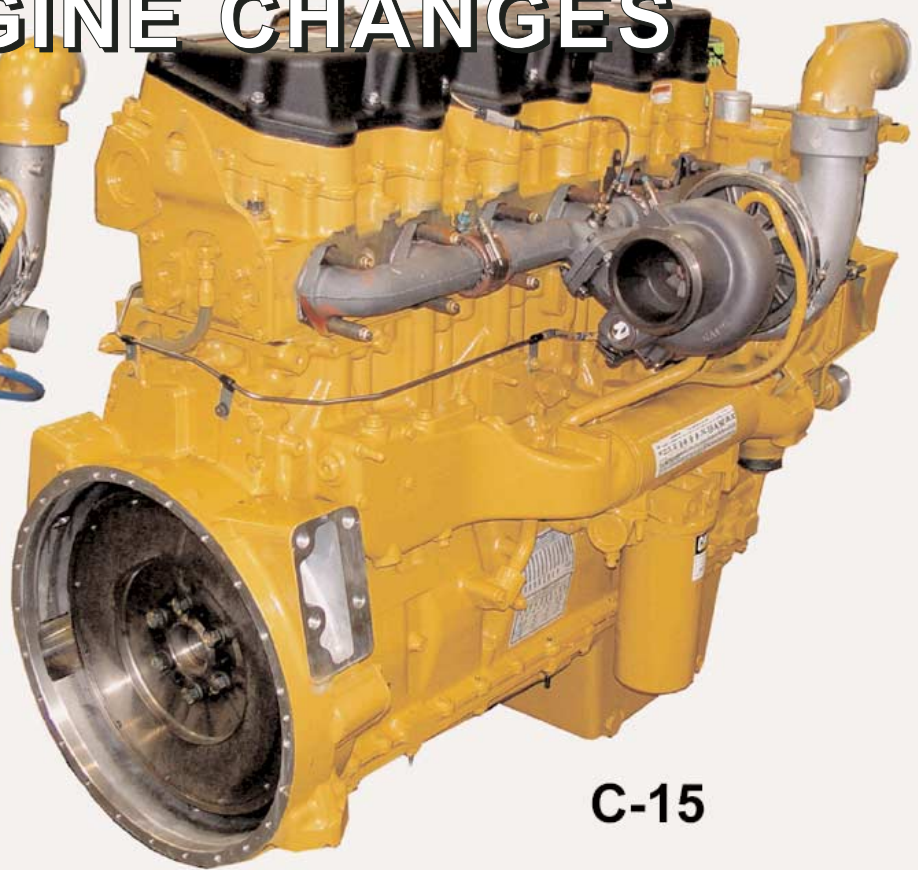


OCTOBER 2002 TRUCK ENGINE CHANGES



C-12



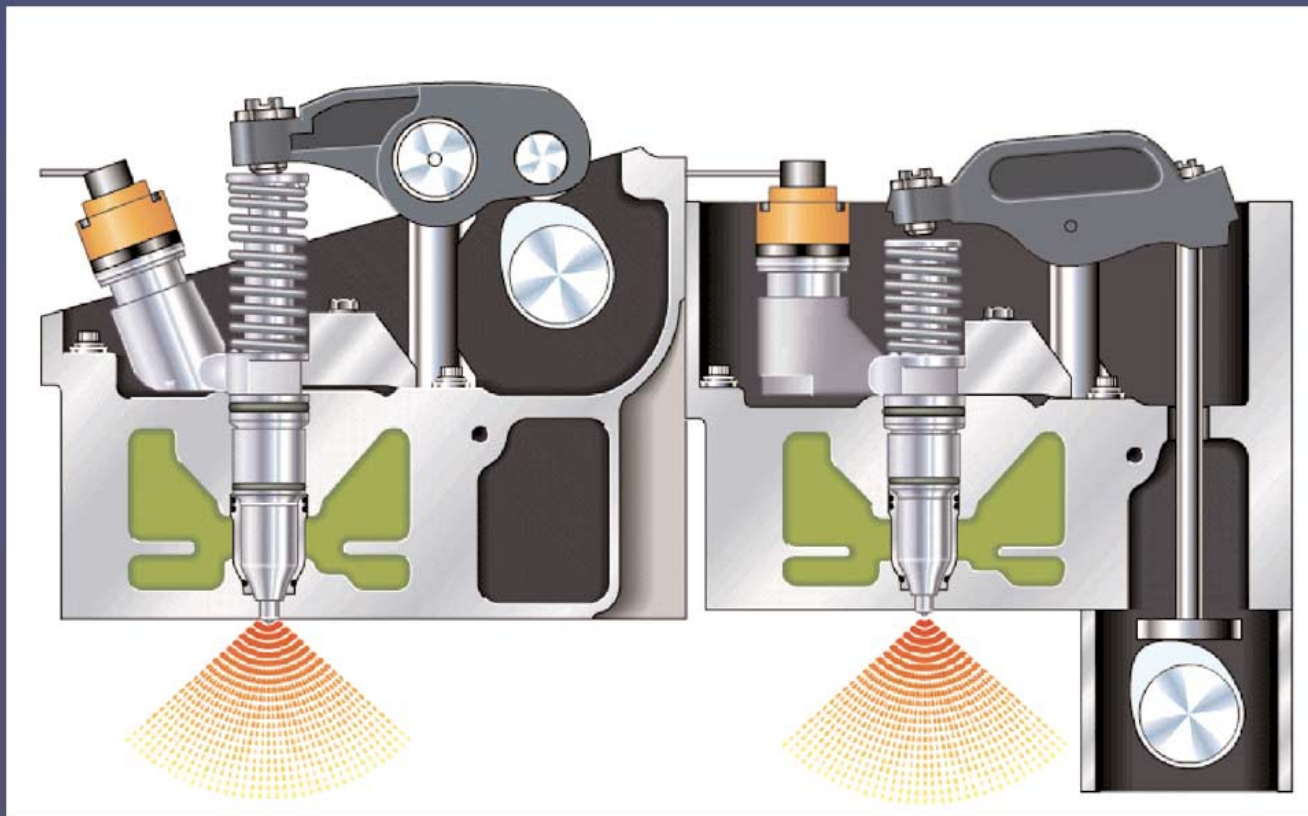
C-15

© 2002 Caterpillar Inc.

OCTOBER 2002 System Changes

- **Pilot Fuel Injections**
- **Fuel Recirculation System**
- **Controllable Wastegate**
- **Aftertreatment**
- **October 2002 New Diagnostic Codes**
- **Exhaust Temperature Derate**
- **505 RV Derate**
- **ET Dyno Mode**

Pilot Fuel Injection



Fuel Recirculation System



CATERPILLAR

Engine Training Division