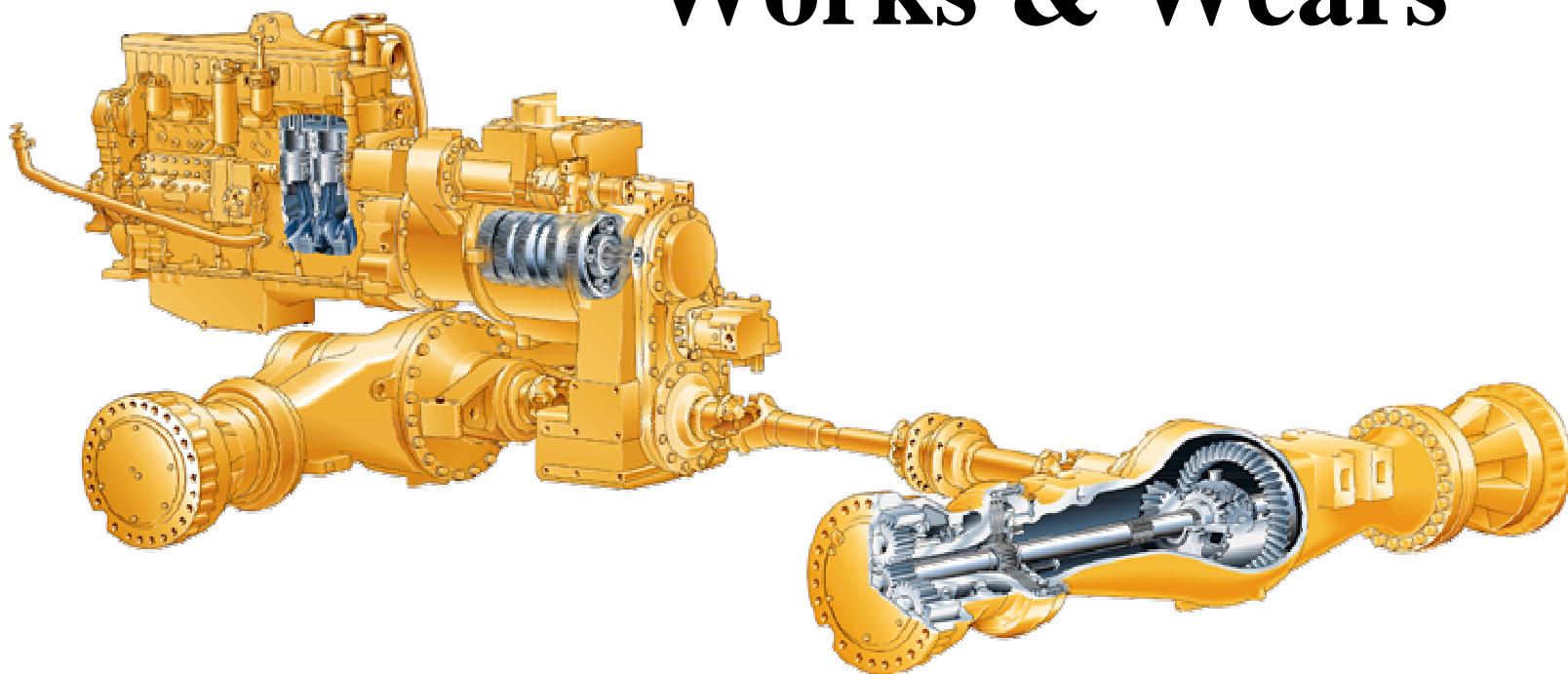
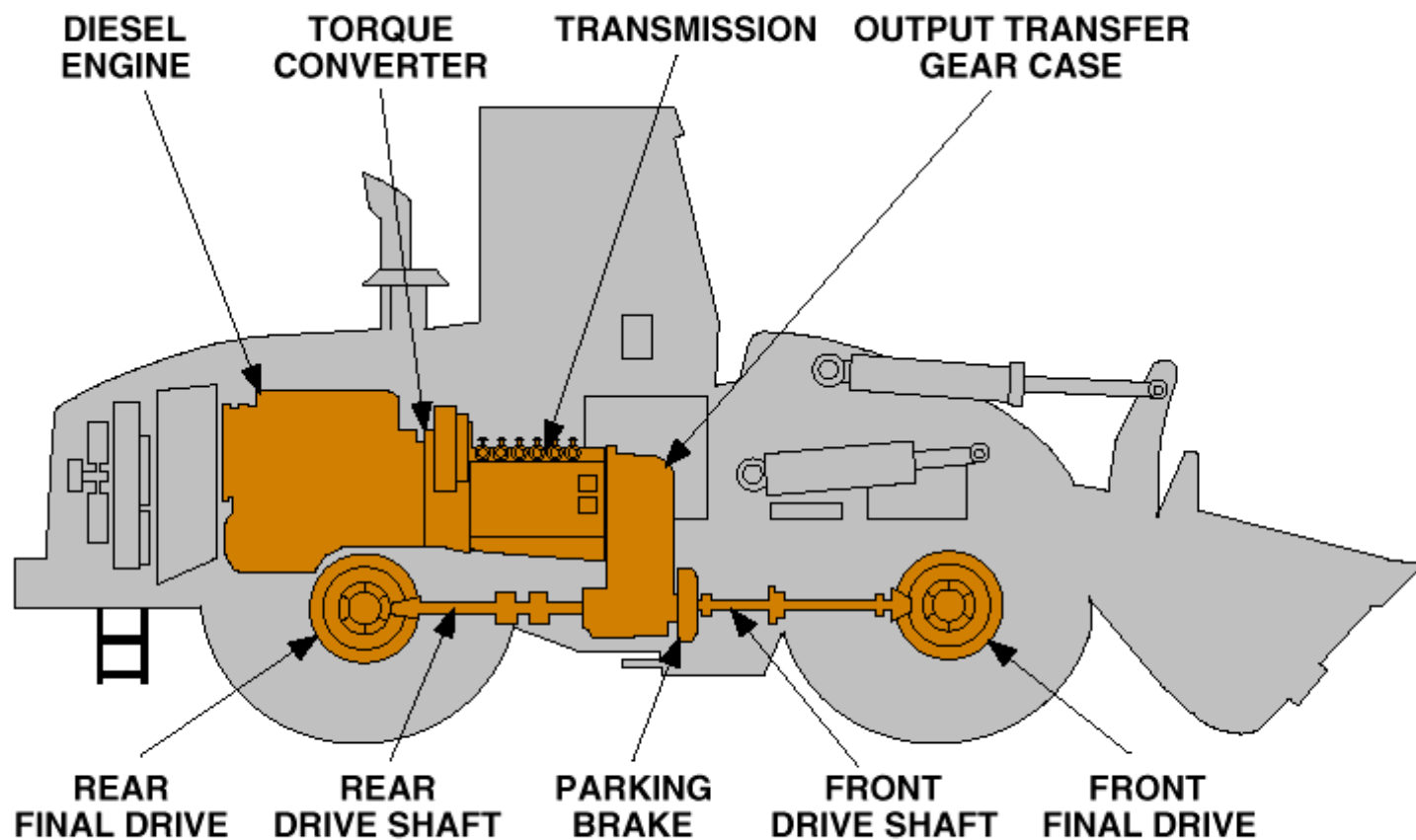


Drive Train Works & Wears

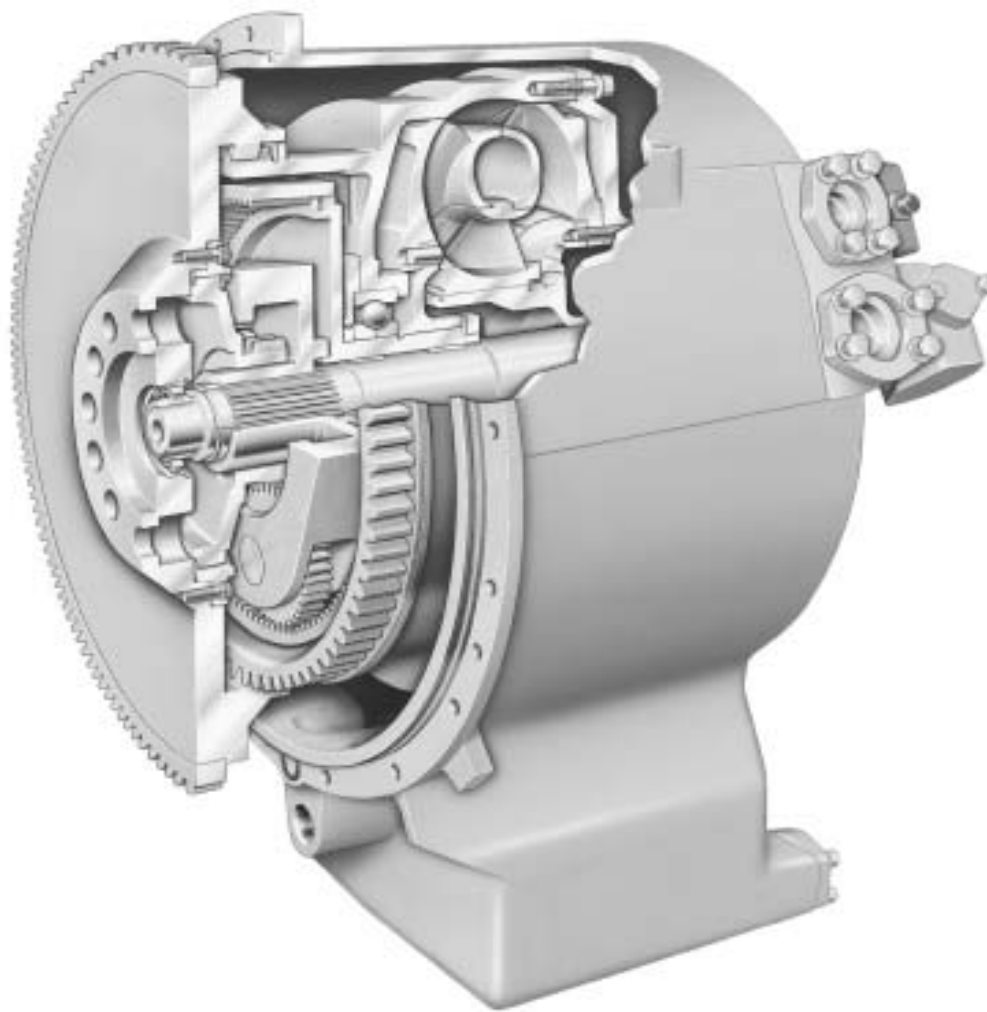


- Major components works & wears
- Anti-friction bearing & gear parts quality
- Electronics
- REMAN product offerings

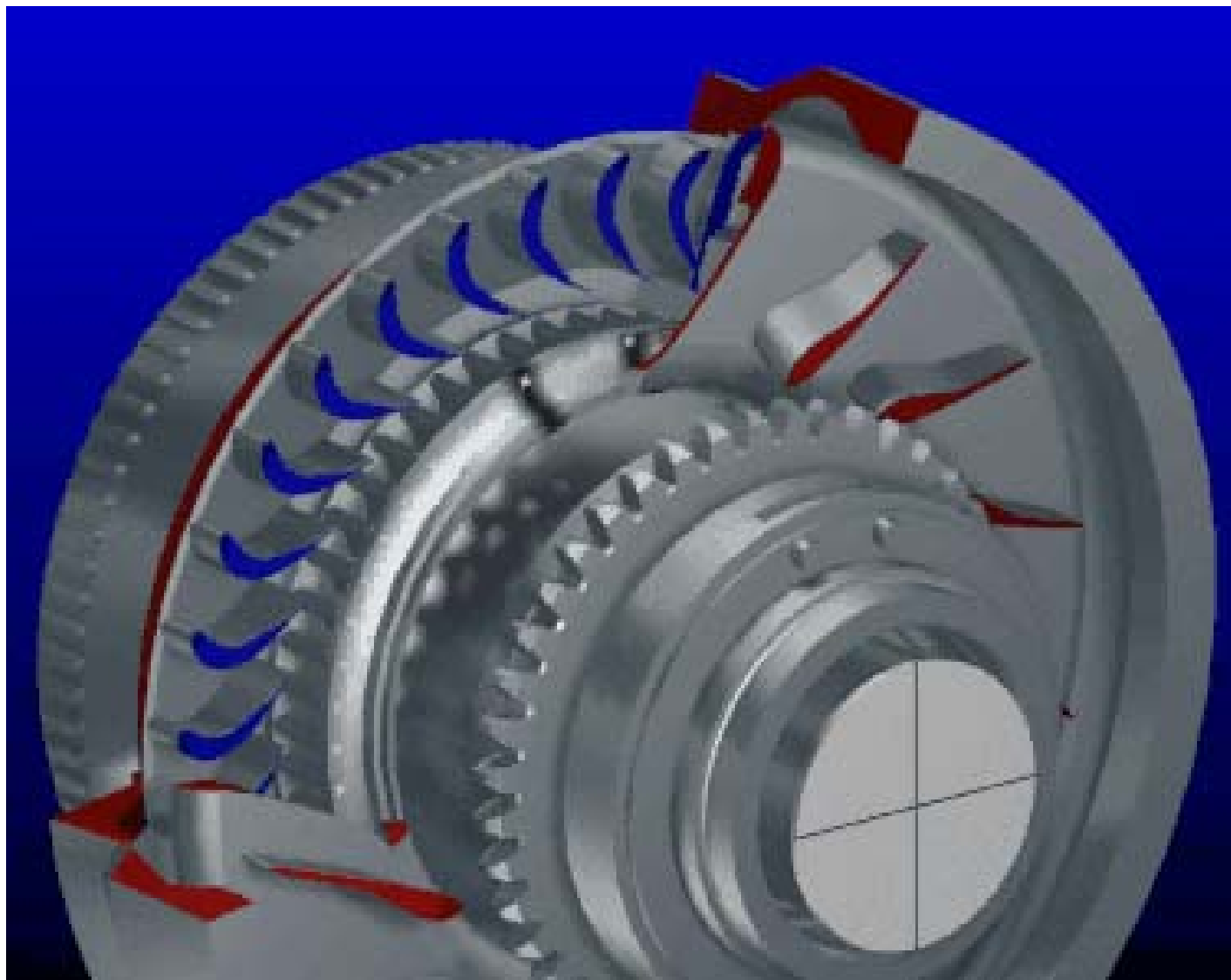
POWER TRAIN COMPONENTS



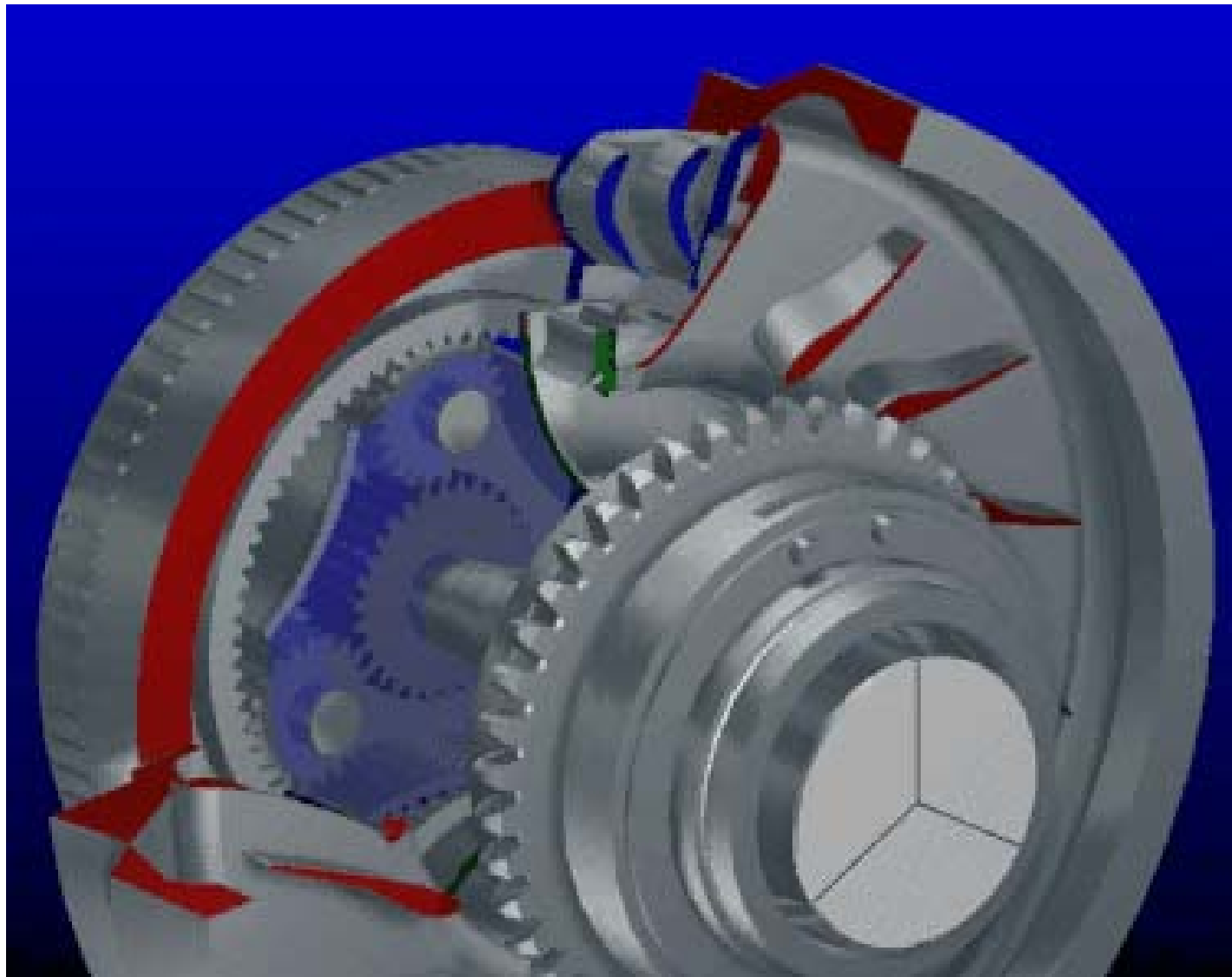
Torque Converter/Divider

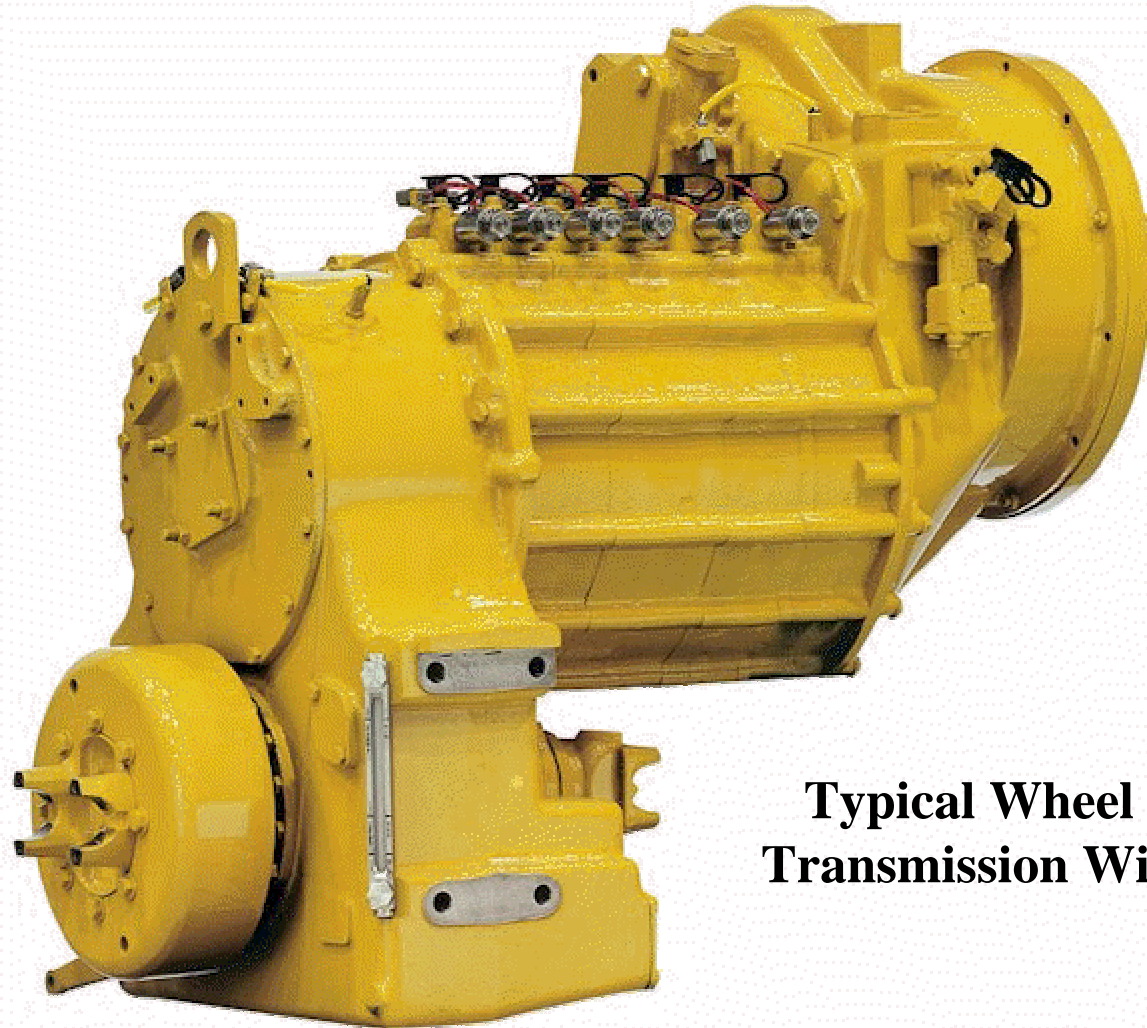


Torque Converter



Torque Divider





**Typical Wheel Loader
Transmission With ECPC**

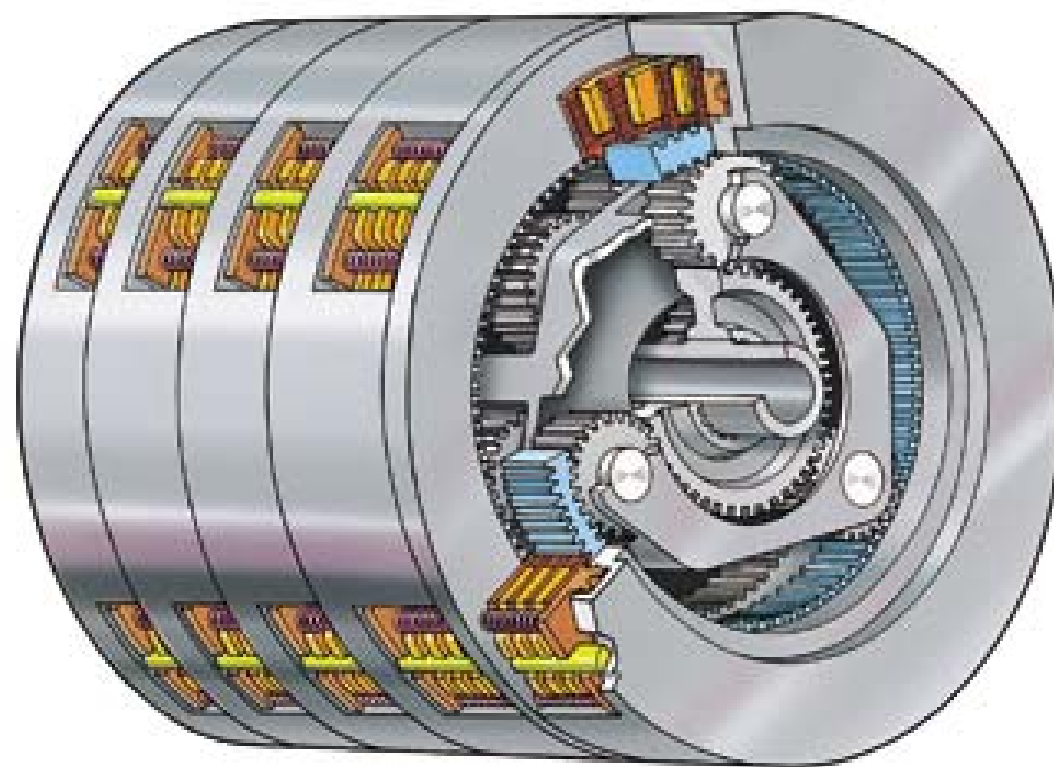
Transmission Types



- Planetary
- Countershaft
- Hybrid Planetary/Countershaft
- Hydrostatic
- Direct Drive



Planetary Transmissions



- **Track Type Tractors D3C thru D11R**
- **Wheel Skidders**
- **Pipelayers**
- **Wheel Tractor Scrapers**
- **Construction and Mining Trucks & Tractors**
- **Articulated Trucks**
- **Wheel Tractors**
- **Compactors**
- **Wheel Loaders /IT 950 thru 994**
- **Telescopic Handlers**