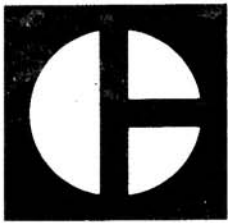


*Bucket 6 R 702
6 R 643 edge
Rails D6 B*

CONTENTS

ALPHABETICAL INDEX OF GROUPS...	3
CONVERSION EQUIVALENT TABLES	INSIDE BACK COVER
ORDERING PARTS.....	2
QUICK REFERENCE CHART	INSIDE FRONT COVER
USING THE PARTS BOOK.....	2



PARTS BOOK

951C TRAXCAVATOR

SERIAL NUMBER
86J2598-UP

REVISION PUBLISHED JUNE 1974
CATERPILLAR TRACTOR CO.
PUBLICATIONS DIV.—SERVICE G.O.
PEORIA, ILL. U.S.A.

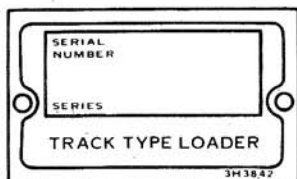
COMPILED BY SUSAN McGEHEE

QUICK REFERENCE GUIDE TO MAJOR SECTIONS

ENGINE RELATED ITEMS
STARTING & ELECTRICAL SYSTEM
POWER TRAIN—POWER TRANSMISSION UNIT
STEERING CLUTCHES & BRAKES
CHASSIS & UNDERCARRIAGE
HYDRAULIC SYSTEM
IMPLEMENTS
CAB, GAUGES & ACCESSORIES
SERVICE EQUIPMENT & SUPPLIES

ORDERING PARTS

Quality Caterpillar Replacement parts are available from Caterpillar dealers throughout the world. Their parts stocks are up to date and include all parts normally required to protect your investment in Caterpillar machines. When ordering parts, always use the Parts Book covering the serial number of your machine. Your order should specify the quantity, part number, part name and show the machine serial number for which the parts are needed. If in doubt about the part number, please provide your dealer with a complete description of the needed item.



Serial Number Plate is located on top of Bevel Gear and Steering Clutch Case.

HOW TO USE THE PARTS BOOK

Caterpillar Parts Books include illustrations of the groups or assemblies which make up the machine. These illustrations show the standard components of the machine plus many of the attachments available for the machine.

The alphabetical index located in the front part of the book should be used to determine the page number on which specific illustrations are shown. Reference to those pages will identify each of the individual serviceable parts.

Captions

The caption under each illustration identifies the part number and name of the group or assembly shown. If more than one illustration is included for any group, the caption identifies the specific machine serial numbers to which each illustration applies. In some cases it is not possible to determine the specific machine serial numbers to which different illustrations are applicable. In those cases the caption identifies the illustration as "First Type", "Second Type", etc. Reference to the actual group or assembly is necessary in those cases to determine which illustration should be used.

Captions provide additional information such as page numbers where illustrations of sub assemblies are shown, information regarding quantities used and other information intended to assist the user in determining parts needs.

Indented Part Names

Within each illustration is a parts list identifying each serviceable part in the illustration. When a part name is indented in this list, it means that serviceable item is a part of the serviceable item under which it is indented.

Abbreviations and Symbols

- ▲ Used to call attention to additional information shown elsewhere within the illustration.
-
- R.H. Right Hand Refers to the side of the machine as viewed from the operator's compartment.
- L.H. Left Hand
- C Indicates changes from the previous illustration of the same group or assembly.
- O.D. Outside Diameter
- I.D. Inside Diameter
- N/S Not Serviced
- Assem. Assembly
- in. Inch
- ft Foot
- cm Centimeter
- dm Decimeter

Note:

Continuing improvement and advancement of product design may cause changes to your machine which may not be included in this publication. Each publication is reviewed and revised, as required, to update and include these changes in later editions.

Whenever a question arises regarding your Caterpillar product, or this publication, please consult your Caterpillar dealer for the latest available information.

INDEX

THIS TRACTOR IS EQUIPPED WITH A 3304 ENGINE

FOR ENGINE PARTS INFORMATION USE THE PARTS BOOK FOR 3304
ENGINE, SERIAL NUMBER 78P1-UP

THE SERIAL NUMBER PLATE ON THE ENGINE BLOCK PROVIDES
SPECIFIC ENGINE IDENTITY

Engine Related Items

(Page 12)

Name	Page
Air Cleaner	16
Engine Mounting Hardware	18
Fan Drive	16
Fan & Guard—Blower	15
Fan—Reversible Blade	15
Fuel Lines	19
Fuel Tank	18
Governor Control	20
Jacket Water Heater	14
Muffler	17
Prescreener	17
Protection Cover	19
Radiator	12
Radiator Core Protection Grid ...	14

Starting and Electrical System

(Page 21)

Alternator	29
Battery	21
Battery & Wiring	34
Battery Box & Grab Iron	38
Electric Starting	21
Lighting System	32

Power Train—Power Transmission Unit

(Page 39)

Final Drive	60
Flexible Coupling Drive	59

Name	Page
Planetary Transmission	52
Power Take-Off Control	63
Power Train	39
Protection Cover	59
Pump—Transmission	51
Rear Power Take-Off	62
Torque Converter	42
Torque Converter Cooler Lines ..	44
Torque Converter Oil Cooler	41
Transfer Gear	56
Transmission	40
Transmission Control	45
Transmission Filter	51
Transmission Hydraulic Control ..	46

Steering Clutches and Brakes

(Page 64)

Brakes	70
Pump—Steering	67
Steering Clutch	69
Steering Clutch Case & Covers ...	64
Steering Clutch Control	68
Steering Clutch Oil System	66

Chassis and Undercarriage

(Page 73)

Brush Guard	81B
Bumper—Rear	85
Counterweight	80
Crankcase Guard	81
Front Idler	73

Name	Page
Front Pull Hook	85
Grab Iron & Hydraulic Control Covers	84
Hood & Guard	82
Track	76
Track Carrier Roller	75
Track Guiding Guard	80
Track Roller	74
Track Roller Frame	77
Track Roller Dirt Guard	76
Track Roller Frame Guard	79

Hydraulic System

(Page 86)

Bucket Positioner	99
Conversion Arrangements	101
Hand Control	97
Hydraulic Arrangements	100
Hydraulic Lines	111
Kickout	100
Lift Cylinder	92
Lift Cylinder Lines	88
Protection Cover	110
Pump—Vane	86
Tank and Valve	104
Tilt Cylinder	94
Tilt Cylinder Lines	90

Implements

(Page 117)

Bucket	120
Bucket Control	118

Name	Page
Bucket—Multi-purpose	120
Cutting Edge	122
Cylinder Mounting	119
Loader Frame	117
Teeth	122

Cab, Gauges and Accessories

(Page 124)

Cab Arrangement	129A
Cab Heater	129E
Floorplate	128
Gauges and Dash	126
Hour Meter	127
Refrigerant Compressor Arrangement	130
Roll-Over Protective Structure	129
Seat Cushion	124
Seat Support	125
Vandalism Door	132
Windshield Wiper	129C

Service Equipment and Supplies

(Page 132)

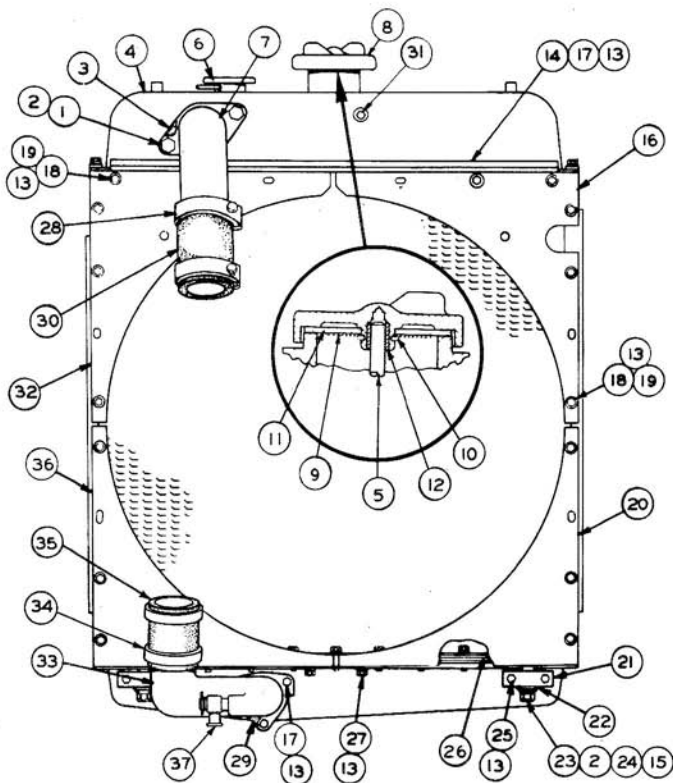
Gasket Kits	132
Specifications	136
Tools	134
Transfers	135
Vandalism Protection Arrangement	133

INDEX ALPHABÉTIQUE

CETTE MACHINE EST MUNIE D'UN MOTEUR 3304.

POUR LES PIÈCES DE RECHANGE DU MOTEUR, VOIR LE CATALOGUE DE
PIÈCES DES MOTEURS 3304 À PARTIR DU NUMÉRO DE SÉRIE 78P1.

LA PLAQUE FIXÉE AU BLOC-MOTEUR DONNE LE NUMÉRO DE SÉRIE ET
AUTRES RÉFÉRENCES DU CATALOGUE.



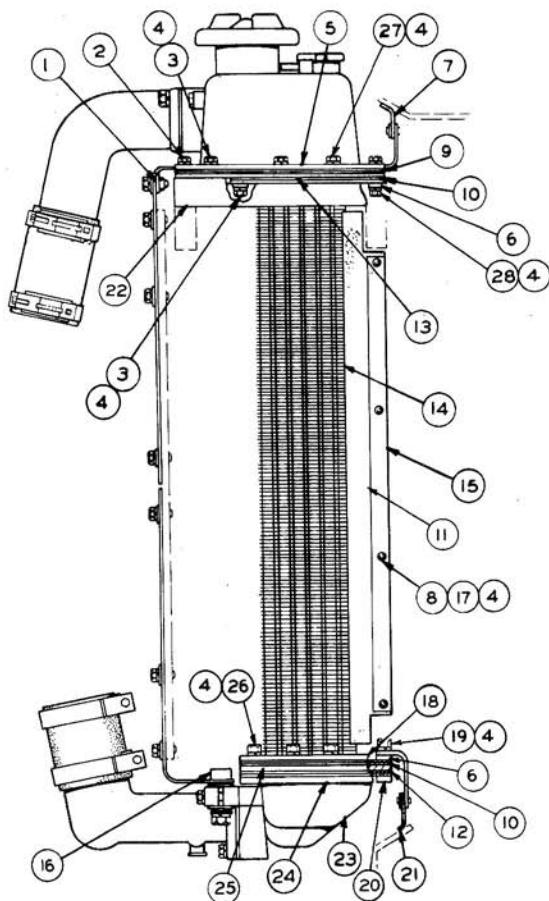
REF. NO.	PART NUMBER	DESCRIPTION	QTY
1	S1595	BOLT-----	2
2	3B4508	LOCKWASHER-----	4
3	1M7830	GASKET-----	1
4	2P1265	TANK ASSEM.-----	1
5	1S286	STUD-----	1
6	2S3080	CAP ASSEM.-----	1
7	5S3088	ELBOW-----	1
8	7S7809	CAP ASSEM.-----	1
9	2S2846	RETAINER-----	1
10	9S9979	RING-----	1
11	2P3230	GASKET-----	1
12	7S7807	INSERT-----	1
13	3B4506	LOCKWASHER-----	38
14	2P1268	STRIP-----	2
15	2S6735	SPACER-----	2
16	2P2218	SHIELD ASSEM.-----(Upper R.H.)-----	1
17	1A2029	BOLT-----	14
18	L1351	BOLT-----	16
19	4B4278	WASHER------(Lower R.H.)-----	16
20	2P2219	SHIELD------(Lower R.H.)-----	1
21	9M8867	CLAMP-----	2
22	3H8726	BLOCK-----	2
23	2B947	BOLT-----	2
24	4B4280	WASHER-----	2
25	L2070	BOLT-----	4

26	9S8728	STRIP-----	1
27	T102	BOLT-----	2
28	5H4454	CLAMP-----	2
29	3S6251	GASKET-----	1
▲ 30	2S6659	HOSE-----5 in.	1
31	5M6214	PLUG-----	1
32	5S8376	SHIELD ASSEM.-----(Upper L.H.)-----	1
33	2P7433	ELBOW-----	1
34	8H2063	CLAMP-----	2
▲ 35	2S6658	HOSE-----3.50 in.	1
36	7S8476	SHIELD------(Lower L.H.)-----	1
37	8F8151	COCK-----	1

▲ ORDER BY THE INCH

117983

RADIATOR (2P8183 N/S)—Rear View
 Note: 6F6041 Rust Inhibitor is available

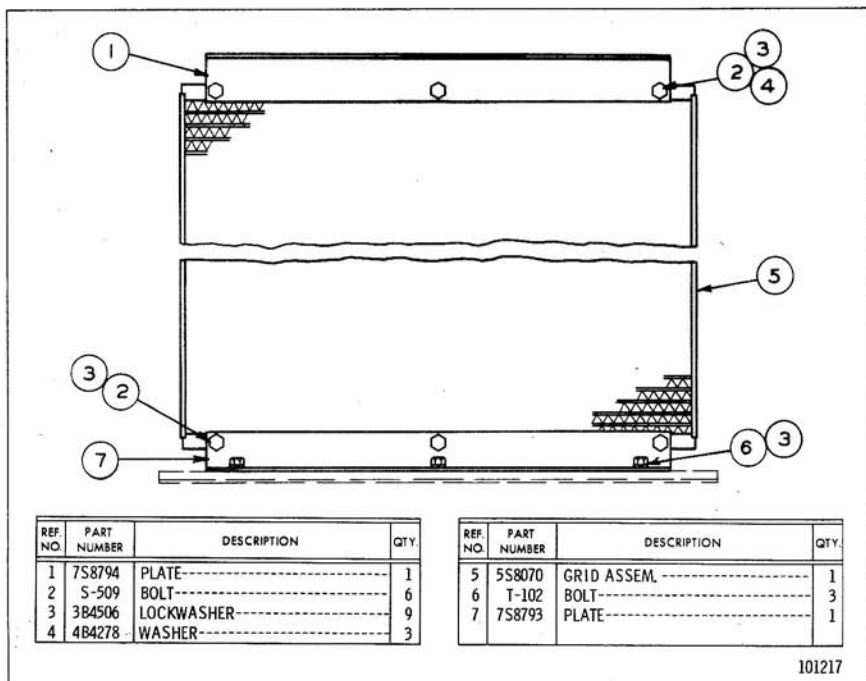


REF. NO.	PART NUMBER	DESCRIPTION	QTY
1	5S7655	ANGLE ASSEM.-----	1
1	9F2978	NUT-----	6
2	8S9191	BOLT-----(4. in. Long)-----	4
3	3B1915	BOLT-----(1.375 in. Long)-----	17
4	3B4506	LOCKWASHER-----	69
5	5S6023	STRIP-----	2
6	9S8728	STRIP-----	3
7	2P1263	BAFFLE ASSEM.-----	1
8	S1594	BOLT-----	4
9	2P1266	GASKET-----	1
10	2P493	GASKET-----	2
11	2P2387	BAFFLE-----	1
12	2P1267	GASKET-----	1
13	2P1236	PLATE ASSEM.-----	1
14	4N3474	CORE ASSEM.-----	1

15	2P2388	STRIP-----(R.H.)-----	1
15	5S8384	BAFFLE ASSEM.-----(L.H.)-----	1
16	7S7727	STRIP-----	1
17	S509	BOLT-----	4
18	5S6137	STRIP-----	3
19	S1588	BOLT-----	11
20	2P1268	STRIP-----	2
21	7S8815	BAFFLE ASSEM.-----	1
22	5S6758	BLOCK-----(R.H.)-----	1
22	5S6017	BLOCK-----(L.H.)-----	1
23	2P1264	TANK ASSEM.-----	1
24	5S6139	STRIP-----	2
25	2P1235	PLATE ASSEM.-----	1
26	1A2029	BOLT-----(1.125 in. Long)-----	19
27	S1571	BOLT-----(1.75 in. Long)-----	8
28	S1591	BOLT-----(1.50 in. Long)-----	11

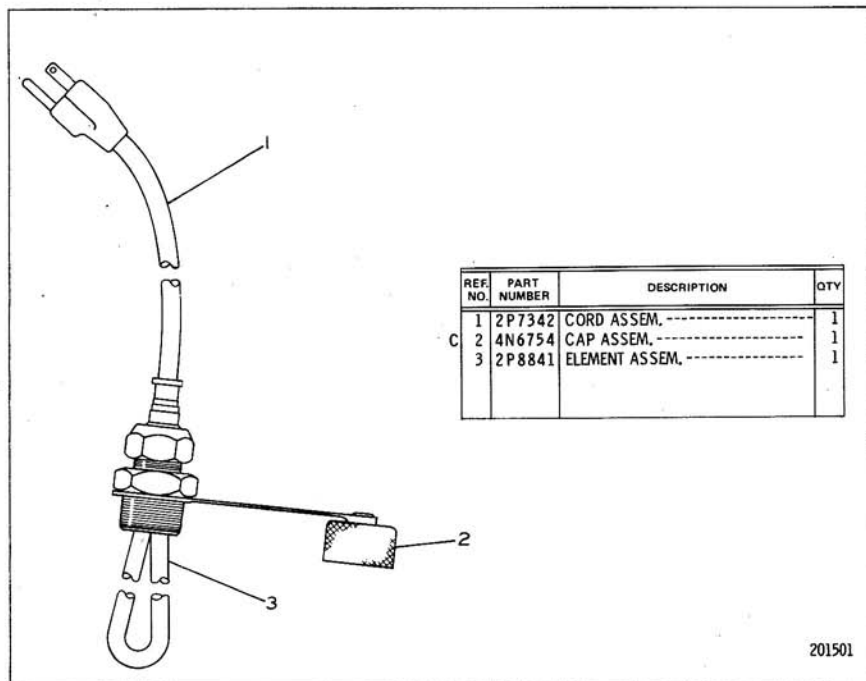
117984

RADIATOR (2P8183 N/S)—Side View



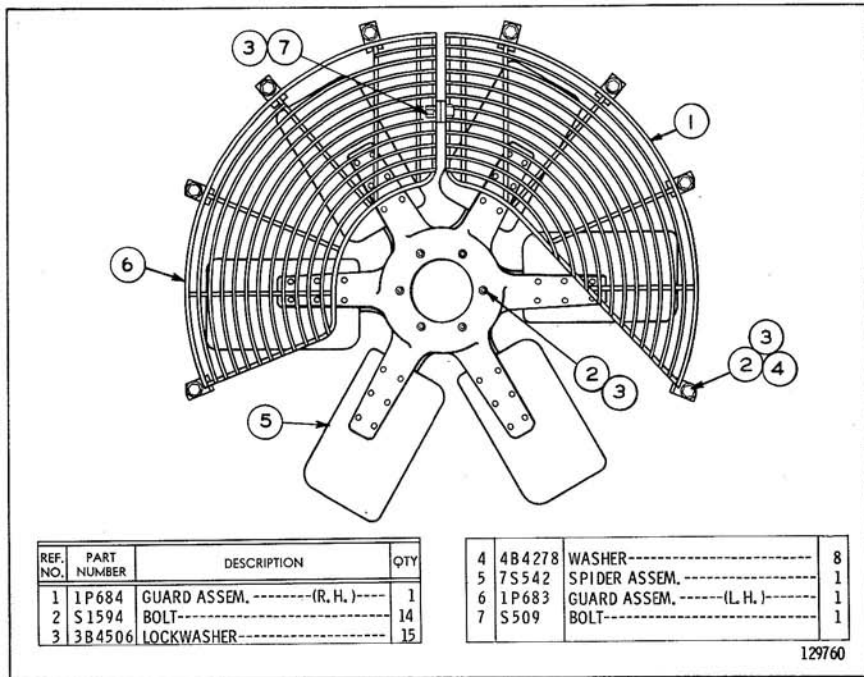
101217

5S3042 RADIATOR CORE PROTECTION GRID GROUP
AN ATTACHMENT

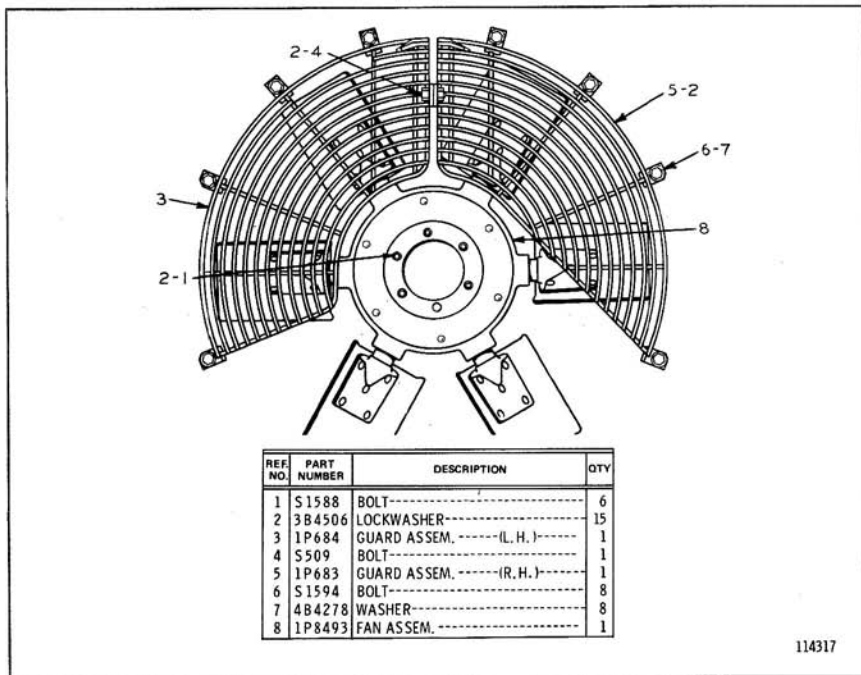


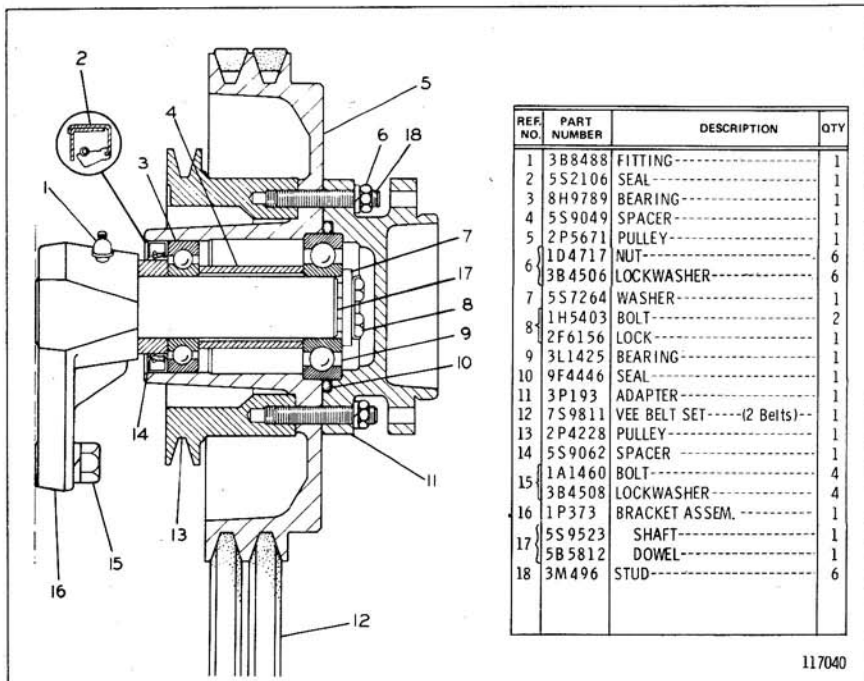
201501

4N3586 JACKET WATER HEATER GROUP
AN ATTACHMENT



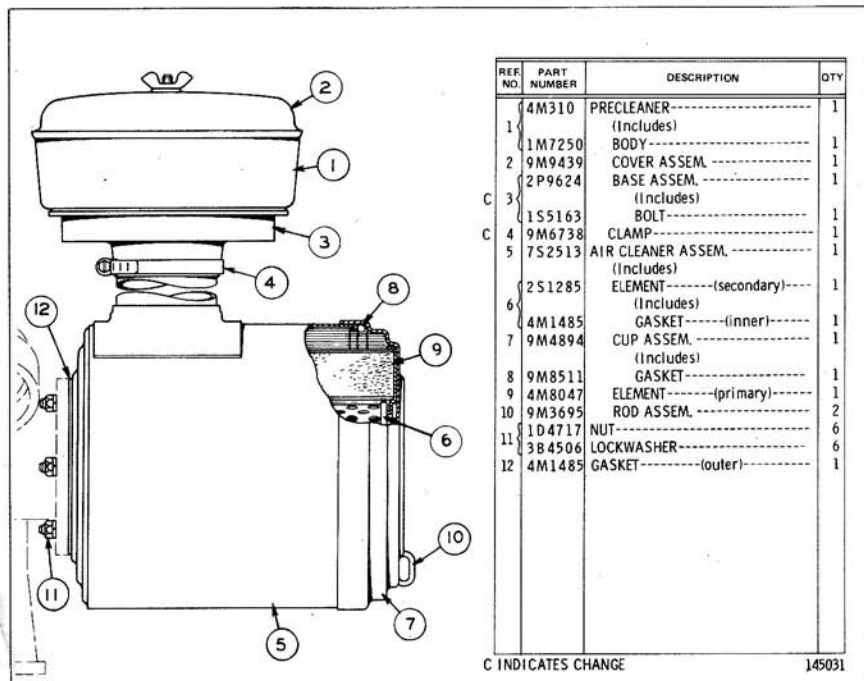
BLOWER FAN AND GUARD GROUP (5S3375 N/S)

8S2641 FAN GROUP—Reversible Blade
AN ATTACHMENT

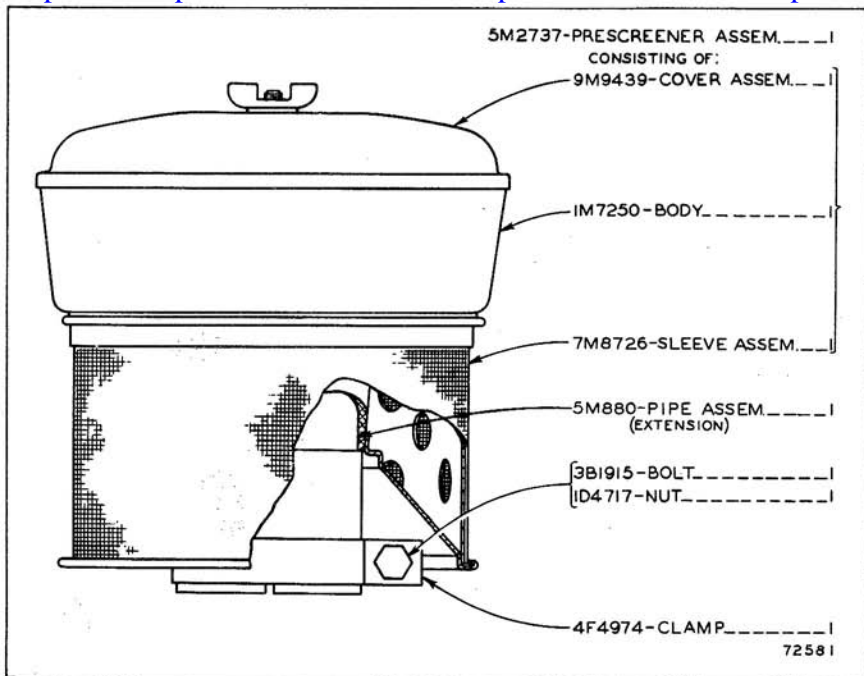


3P154 FAN DRIVE GROUP

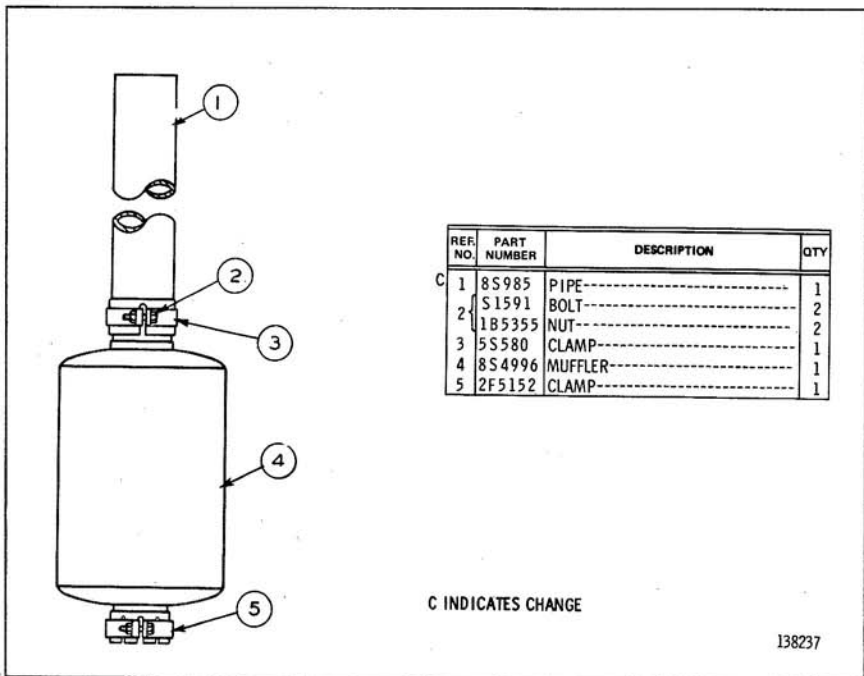
Part of 3P155 Refrigerant Compressor Arrangement listed on Page 130
AN ATTACHMENT



AIR CLEANER (4S6907 N/S)



5M2734 PRESCREENER GROUP
 AN ATTACHMENT



7S1734 MUFFLER GROUP