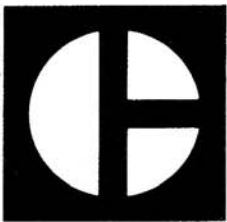


85162 → 9M9740 *traw*  
85164 → 55484 *steering*

# CONTENTS

# QUICK REFERENCE GUIDE TO MAJOR SECTIONS

ALPHABETICAL INDEX OF GROUPS...	3
CONVERSION EQUIVALENT TABLES	INSIDE BACK COVER
ORDERING PARTS.....	2
QUICK REFERENCE CHART	INSIDE FRONT COVER
USING THE PARTS BOOK.....	2



## PARTS BOOK

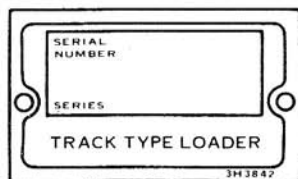
# 951C TRAXCAVATOR

SERIAL NUMBER  
86J2598 TO 86J4041

REVISION PUBLISHED JANUARY 1976  
CATERPILLAR TRACTOR CO.  
PUBLICATIONS DIV.—SERVICE G.O.  
PEORIA, ILL. U.S.A.  
COMPILED BY BETTY J. SCHMIDGALL

- ENGINE RELATED ITEMS
- STARTING & ELECTRICAL SYSTEM
- POWER TRAIN—POWER TRANSMISSION UNIT
- STEERING CLUTCHES & BRAKES
- CHASSIS & UNDERCARRIAGE
- HYDRAULIC SYSTEM
- IMPLEMENTS
- CAB, GAUGES & ACCESSORIES
- SERVICE EQUIPMENT & SUPPLIES
- 
- 
- 
-

**ORDERING PARTS** Quality Caterpillar Replacement parts are available from Caterpillar dealers throughout the world. Their parts stocks are up to date and include all parts normally required to protect your investment in Caterpillar machines. When ordering parts, always use the Parts Book covering the serial number of your machine. Your order should specify the quantity, part number, part name and show the machine serial number for which the parts are needed. If in doubt about the part number, please provide your dealer with a complete description of the needed item.



Serial Number Plate is located on top of Bevel Gear and Steering Clutch Case.

**HOW TO USE THE PARTS BOOK** Caterpillar Parts Books include illustrations of the groups or assemblies which make up the machine. These illustrations show the standard components of the machine plus many of the attachments available for the machine.

The alphabetical index located in the front part of the book should be used to determine the page number on which specific illustrations are shown. Reference to those pages will identify each of the individual serviceable parts.

### Captions

The caption under each illustration identifies the part number and name of the group or assembly shown. If more than one illustration is included for any group, the caption identifies the specific machine serial numbers to which each illustration applies. In some cases it is not possible to determine the specific machine serial numbers to which different illustrations are applicable. In those cases the caption identifies the illustration as "First Type", "Second Type", etc. Reference to the actual group or assembly is necessary in those cases to determine which illustration should be used.

Captions provide additional information such as page numbers where illustrations of sub assemblies are shown, information regarding quantities used and other information intended to assist the user in determining parts needs.

### Indented Part Names

Within each illustration is a parts list identifying each serviceable part in the illustration. When a part name is indented in this list, it means that serviceable item is a part of the serviceable item under which it is indented.

### Abbreviations and Symbols

- ▲ Used to call attention to additional information shown elsewhere within the illustration.
- 
- R.H. Right Hand Refers to the side of the machine as viewed from the operator's compartment.
- L.H. Left Hand
- C Indicates changes from the previous illustration of the same group or assembly.
- O.D. Outside Diameter
- I.D. Inside Diameter
- N/S Not Serviced
- Assem. Assembly
- in. Inch
- ft Foot
- cm Centimeter
- dm Decimeter

### Note:

Continuing improvement and advancement of product design may cause changes to your machine which may not be included in this publication. Each publication is reviewed and revised, as required, to update and include these changes in later editions.

Whenever a question arises regarding your Caterpillar product, or this publication, please consult your Caterpillar dealer for the latest available information.

# INDEX

THIS TRACTOR IS EQUIPPED WITH A 3304 ENGINE

FOR ENGINE PARTS INFORMATION USE THE PARTS BOOK FOR 3304  
ENGINE, SERIAL NUMBER 78P1-UP

THE SERIAL NUMBER PLATE ON THE ENGINE BLOCK PROVIDES  
SPECIFIC ENGINE IDENTITY

## Engine Related Items

(Page 12)

Name	Page
Air Cleaner	16
Engine Enclosure	18A
Engine Mounting Hardware	18
Fan Drive	16
Fan & Guard—Blower	15
Fan—Reversible Blade	15
Fuel Lines	19
Fuel Tank	18
Governor Control	20
Hinged Radiator Guard	14A
Jacket Water Heater	14
Muffler	17
Prescreener	17
Protection Cover	19
Radiator	12
Radiator Core Protection Grid	14

## Starting and Electrical System

(Page 21)

Alternator	29
Battery	21
Battery & Wiring	34
Battery Box & Grab Iron	38
Electric Starting	21
Lighting System	32

## Power Train—Power Transmission Unit

(Page 39)

Final Drive	60
Flexible Coupling Drive	59

Name	Page
Planetary Transmission	52
Power Take-Off Control	63
Power Train	39
Protection Cover	59
Pump—Transmission	51
Rear Power Take-Off	62
Torque Converter	42
Torque Converter Cooler Lines	44
Torque Converter Oil Cooler	41
Transfer Gear	56
Transmission	40
Transmission Control	45
Transmission Filter	51
Transmission Hydraulic Control	46

## Steering Clutches and Brakes

(Page 64)

Brakes	70
Pump—Steering	67
Steering Clutch	69
Steering Clutch Case & Covers	64
Steering Clutch Control	68
Steering Clutch Oil System	66

## Chassis and Undercarriage

(Page 73)

Brush Guard	81B
Bumper—Rear	85
Counterweight	80
Crankcase Guard	81
Front Idler	73

Name	Page
Front Pull Hook .....	85
Grab Iron & Hydraulic Control Covers .....	84
Hood & Guard .....	82
Track .....	76
Track Carrier Roller .....	75
Track Guiding Guard .....	80
Track Roller .....	74
Track Roller Frame .....	77
Track Roller Dirt Guard .....	76
Track Roller Frame Guard .....	79

### Hydraulic System

(Page 86)

Bucket Positioner .....	99
Conversion Arrangements .....	101
Hand Control .....	97
Hydraulic Arrangements .....	100
Hydraulic Lines .....	111
Kickout .....	100
Lift Cylinder .....	92
Lift Cylinder Lines .....	88
Protection Cover .....	110
Pump-Vane .....	86
Tank and Valve .....	104
Tilt Cylinder .....	94
Tilt Cylinder Lines .....	90

### Implements

(Page 117)

Bucket .....	120
Bucket Control .....	118

Name	Page
Bucket—Multi-purpose .....	120
Cutting Edge .....	122
Cylinder Mounting .....	119
Loader Frame .....	117
Teeth .....	122

### Cab, Gauges and Accessories

(Page 124)

Cab Arrangement .....	129A
Cab Heater .....	129E
Defrosting Fan .....	129D-1
Dome Lighting .....	129A
Floorplate .....	128
Gauges and Dash .....	126
Hour Meter .....	127
Refrigerant Compressor Arrangement .....	130
Roll-Over Protective Structure .....	129
Seat Cushion .....	124
Seat Support .....	125
Vandalism Door .....	132
Windshield Wiper .....	129C

### Service

#### Equipment and Supplies

(Page 132)

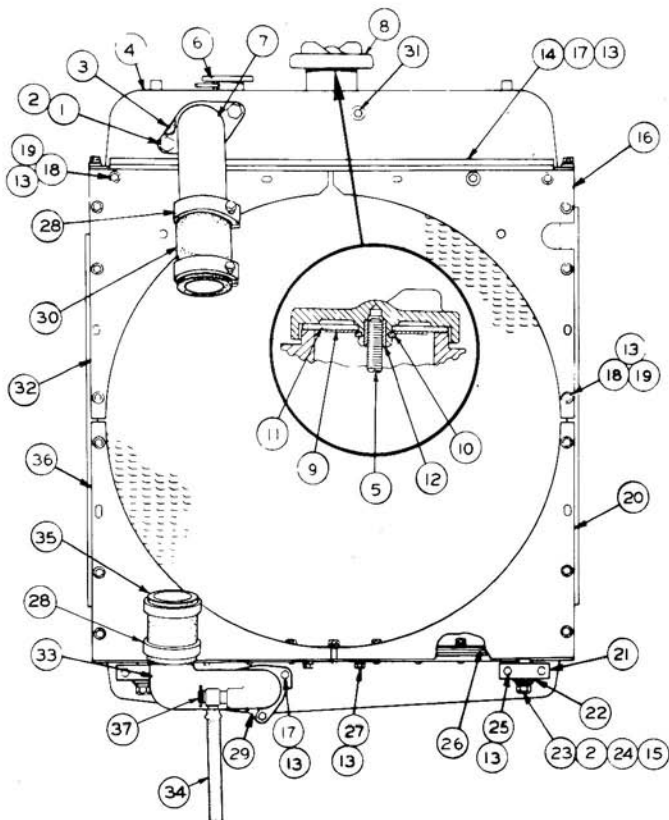
Gasket Kits .....	132
Specifications .....	136
Tools .....	134
Transfers .....	135
Vandalism Protection Arrangement .....	133

## INDEX ALPHABÉTIQUE

CETTE MACHINE EST MUNIE D'UN MOTEUR 3304.

POUR LES PIÈCES DE RECHANGE DU MOTEUR, VOIR LE CATALOGUE DE  
PIÈCES DES MOTEURS 3304 A PARTIR DU NUMÉRO DE SÉRIE 78P1.

LA PLAQUE FIXÉE AU BLOC-MOTEUR DONNE LE NUMÉRO DE SÉRIE ET  
AUTRES RÉFÉRENCES DU CATALOGUE.



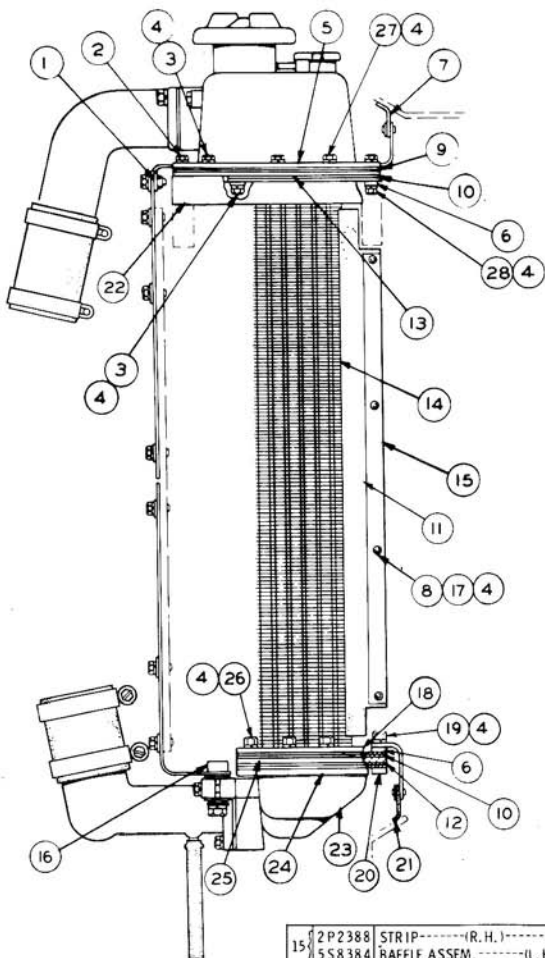
REF. NO.	PART-NUMBER	DESCRIPTION	QTY
1	S1595	BOLT	2
2	3B4508	LOCKWASHER	4
3	1M7830	GASKET	1
4	2P1265	TANK ASSEM.	1
5	1S286	STUD	1
6	2S3080	CAP ASSEM.	1
7	5S3088	ELBOW	1
8	7S7809	CAP ASSEM.	1
9	2S2846	RETAINER	1
10	9S9979	RING	1
11	2P3230	GASKET	1
12	7S7807	INSERT	1
13	3B4506	LOCKWASHER	38
14	2P1268	STRIP	2
15	2S6735	SPACER	2
16	2P2218	SHIELD ASSEM. (Upper R.H.)	1
17	1A2029	BOLT	14
18	L1351	BOLT	16
19	4B4278	WASHER	16
20	2P2219	SHIELD (Lower R.H.)	1
21	9M8867	CLAMP	2
22	3H8726	BLOCK	2
23	2B947	BOLT	2
24	4B4280	WASHER	2
25	L2070	BOLT	4
26	9S8728	STRIP	1
27	T102	BOLT	2
C 28	5P598	CLAMP	4
29	3S6251	GASKET	1
C 30	5P1263	HOSE (12.7cm(5 in.))	1
31	5M6214	PLUG	1
32	5S8376	SHIELD ASSEM. (Upper L.H.)	1
33	2P7433	ELBOW	1
C 34	5P767	HOSE (20.3 cm(8 in.))	1
C 35	5P1262	HOSE (8.89 cm(3.50 in.))	1
36	7S8476	SHIELD (Lower L.H.)	1
37	8F8151	COCK	1

C INDICATES CHANGE

▲ ORDER BY THE CENTIMETRE •

207811

2P8183 RADIATOR GROUP—Rear View  
 Note: 6F6041 Rust Inhibitor is available

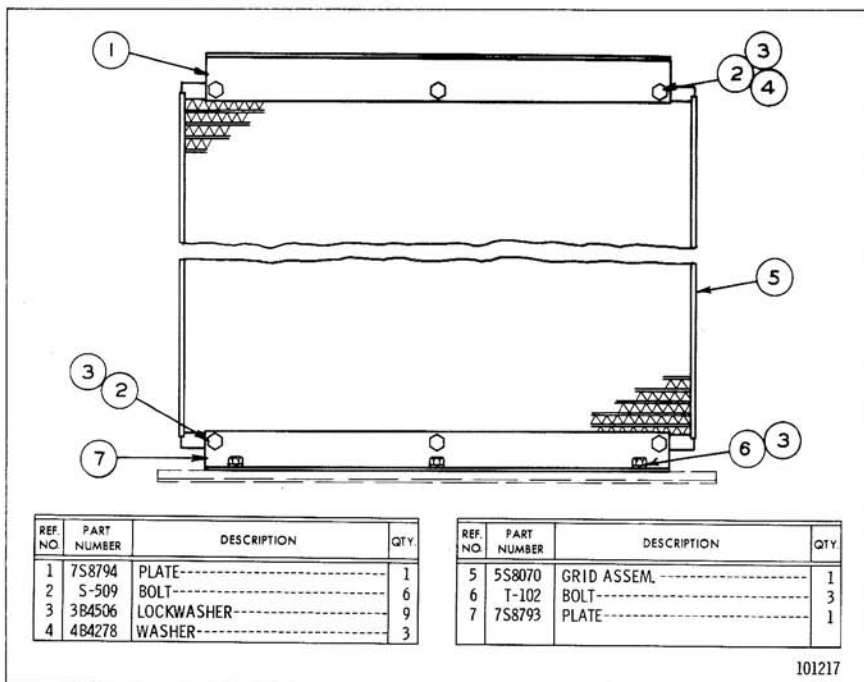


REF. NO.	PART NUMBER	DESCRIPTION	QTY
1	5S7655	ANGLE ASSEM. ....	1
2	9F2978	NUT.....	6
3	8S9191	BOLT----10.16 cm(4 in.) long	4
3	3B1915	BOLT----3.48 cm(1.375 in.) long	17
4	3B4506	LOCKWASHER.....	69
5	5S6023	STRIP.....	2
6	9S8728	STRIP.....	3
7	2P1263	BAFFLE ASSEM. ....	1
8	51594	BOLT.....	4
9	2P1266	GASKET.....	1
10	2P493	GASKET.....	2
11	2P2387	BAFFLE.....	1
12	2P1267	GASKET.....	1
13	2P1236	PLATE ASSEM. ....	1
14	4N3474	CORE ASSEM. ....	1

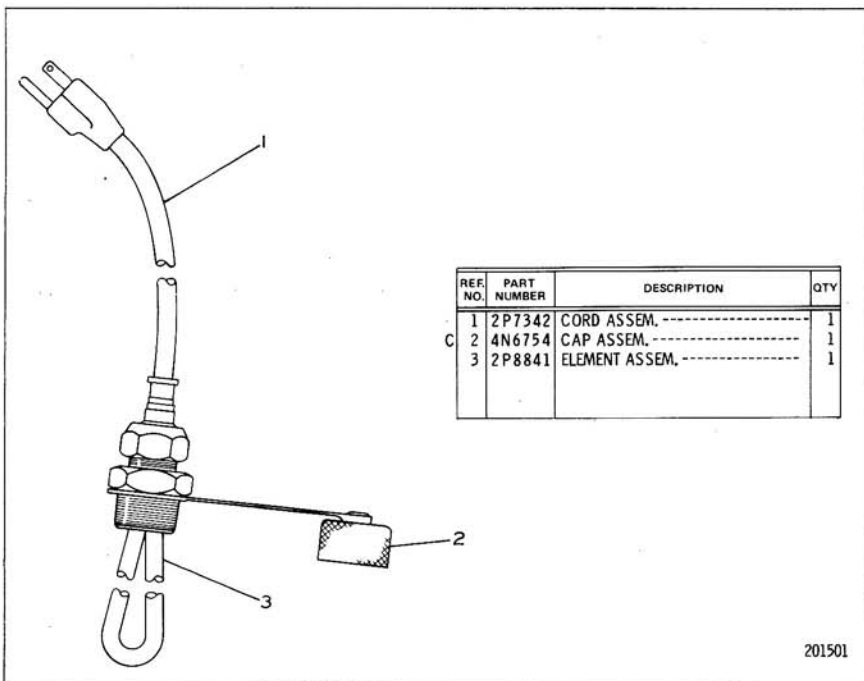
15	2P2388	STRIP----- (R. H.)-----	1
15	5S8384	BAFFLE ASSEM. .... (L. H.)-----	1
16	7S7727	STRIP.....	1
17	5S09	BOLT.....	4
18	5S6137	STRIP.....	3
19	51588	BOLT.....	11
20	2P1268	STRIP.....	2
21	7S8815	BAFFLE ASSEM. ....	1
22	5S6758	BLOCK----- (R. H.)-----	1
22	5S6017	BLOCK----- (L. H.)-----	1
23	2P1264	TANK ASSEM. ....	1
24	5S6139	STRIP.....	2
25	2P1235	PLATE ASSEM. ....	1
26	1A2029	BOLT----2.85 cm(1.125 in.) long	19
27	51571	BOLT----4.45 cm(1.75 in.) long	8
28	51591	BOLT----3.81 cm(1.5 in.) long	11

207812

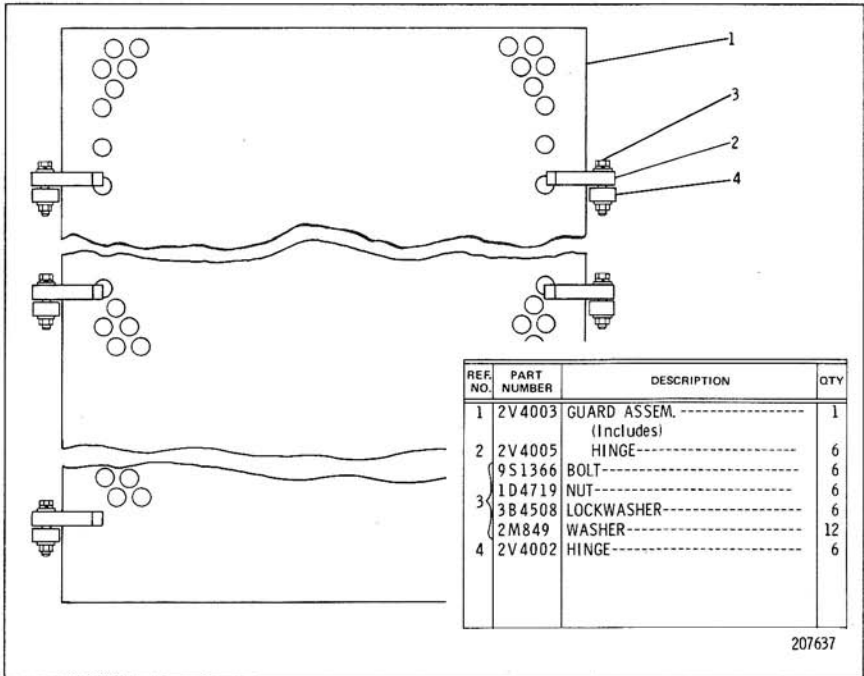
2P8183 RADIATOR GROUP—Side View



5S3042 RADIATOR CORE PROTECTION GRID GROUP  
AN ATTACHMENT

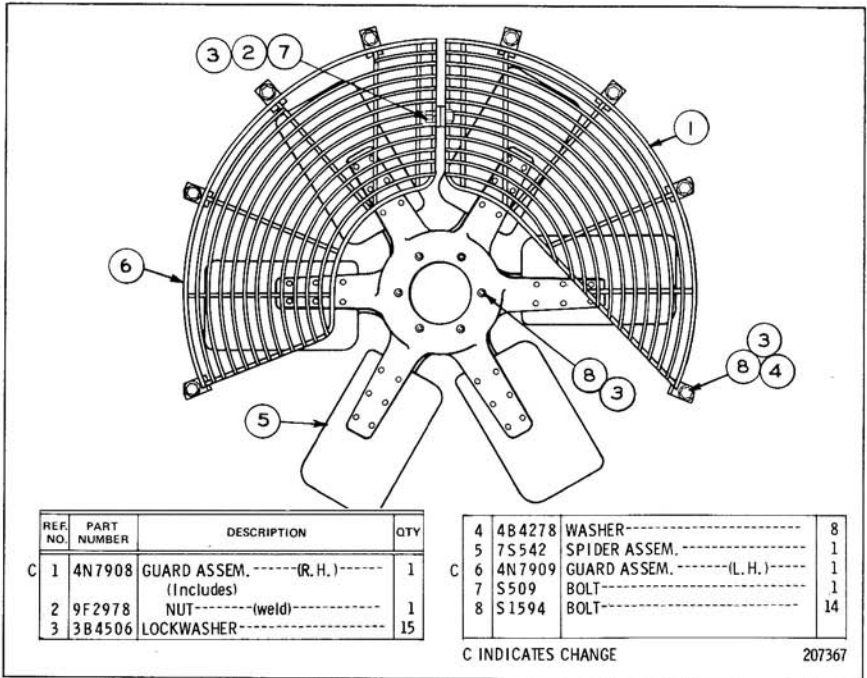


4N3586 JACKET WATER HEATER GROUP  
AN ATTACHMENT

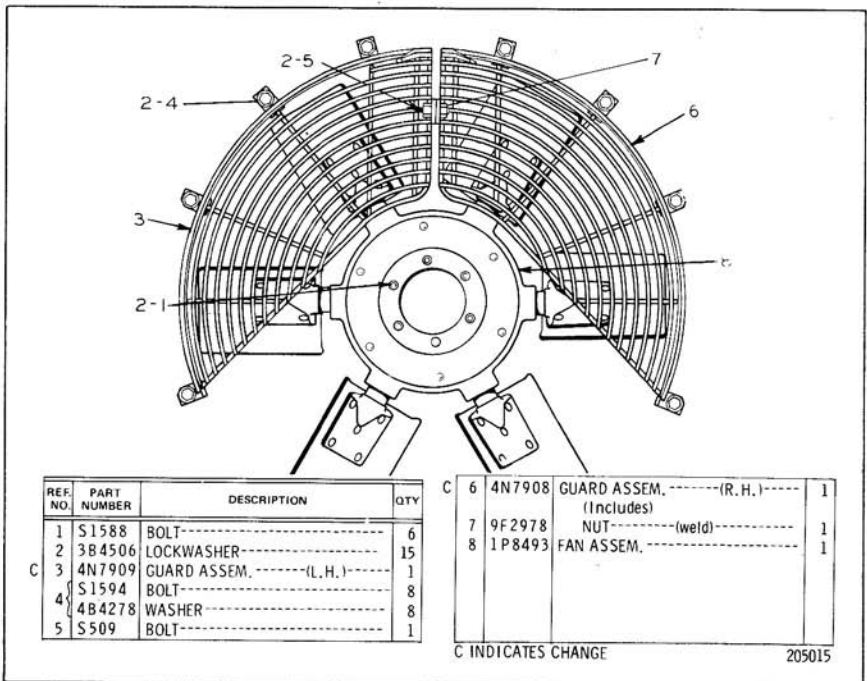


2V4001 HINGED RADIATOR GUARD GROUP  
AN ATTACHMENT

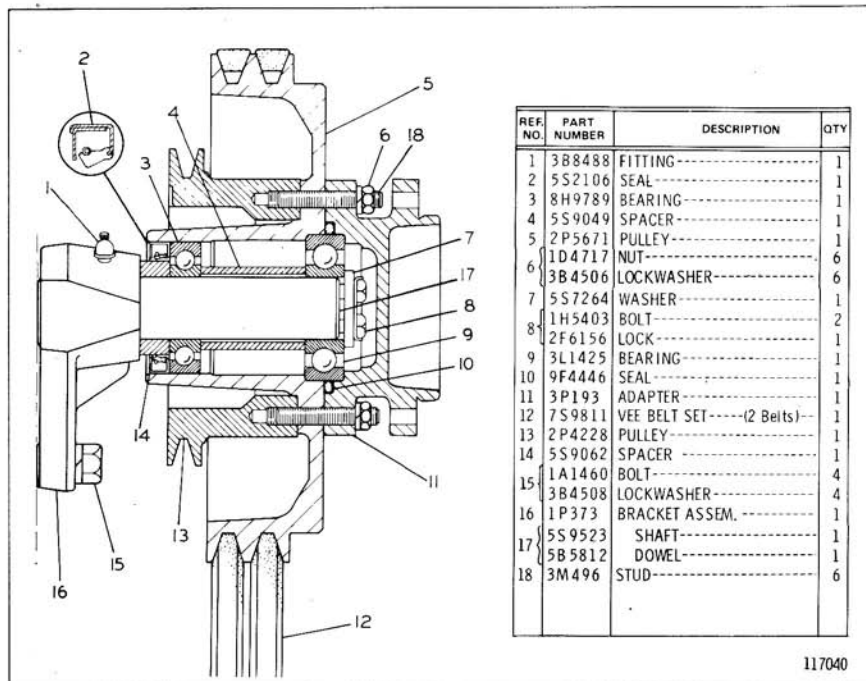




5S3375 BLOWER FAN AND GUARD GROUP

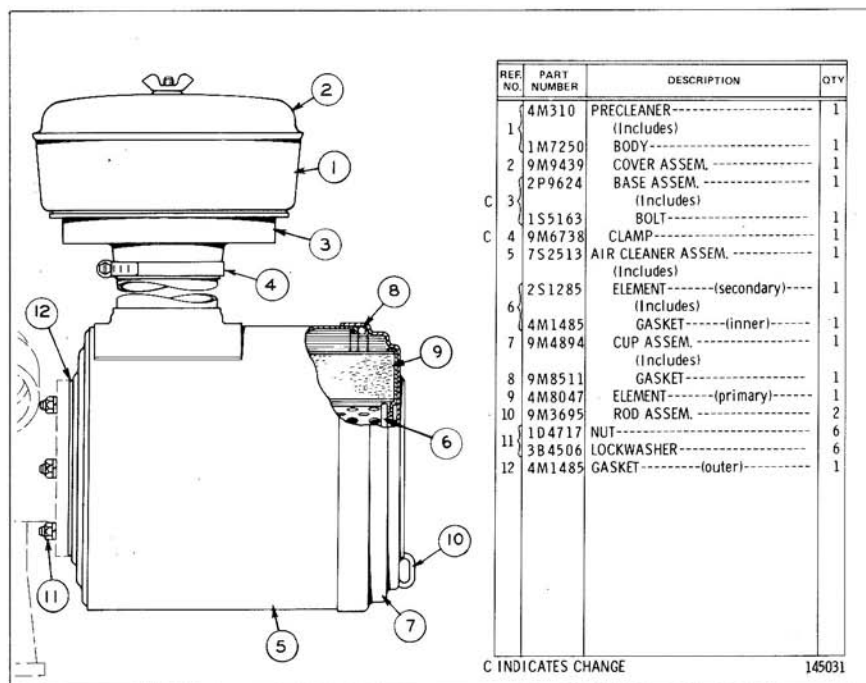


8S2641 FAN GROUP—Reversible Blade  
AN ATTACHMENT

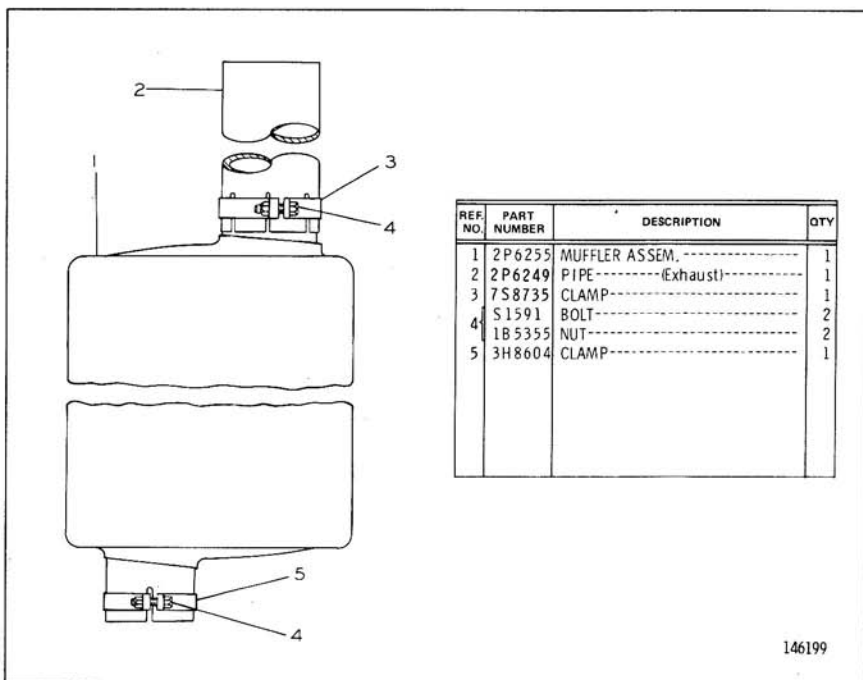


## 3P154 FAN DRIVE GROUP

Part of 3P155 Refrigerant Compressor Arrangement listed on Page 130  
AN ATTACHMENT



AIR CLEANER (4S6907 N/S)

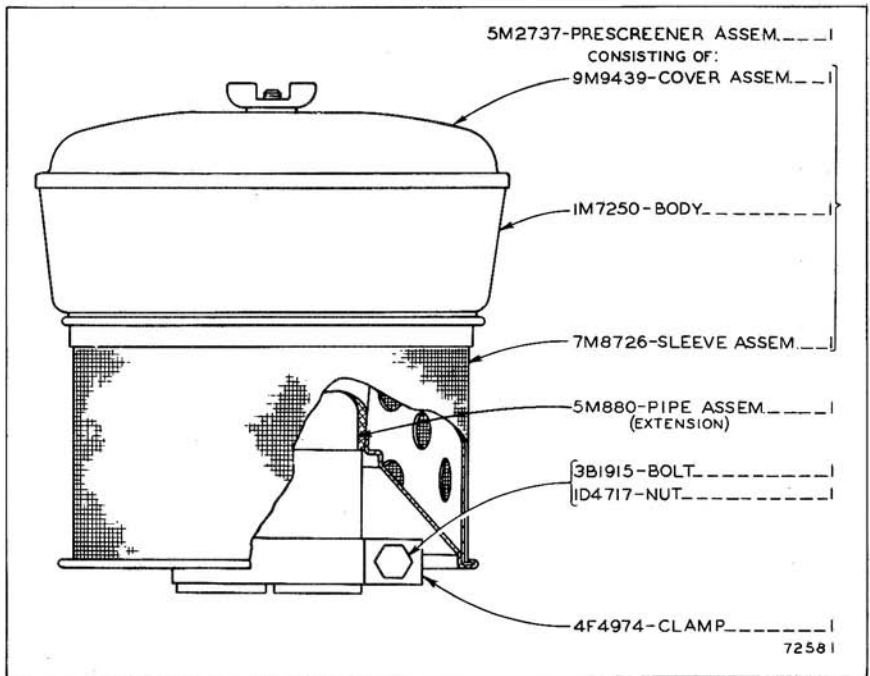


146199

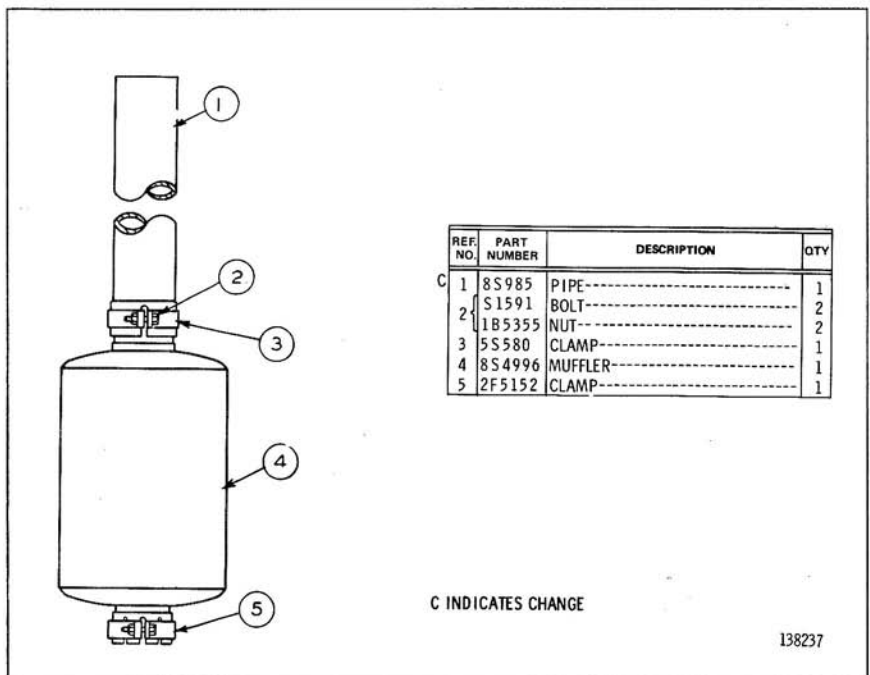
## 2P6252 MUFFLER GROUP

Serial No. 86H2753—Up. Only separate parts serviced. Part of 1V3623 Noise Suppression Arrangement listed on Page 129A-1. AN ATTACHMENT

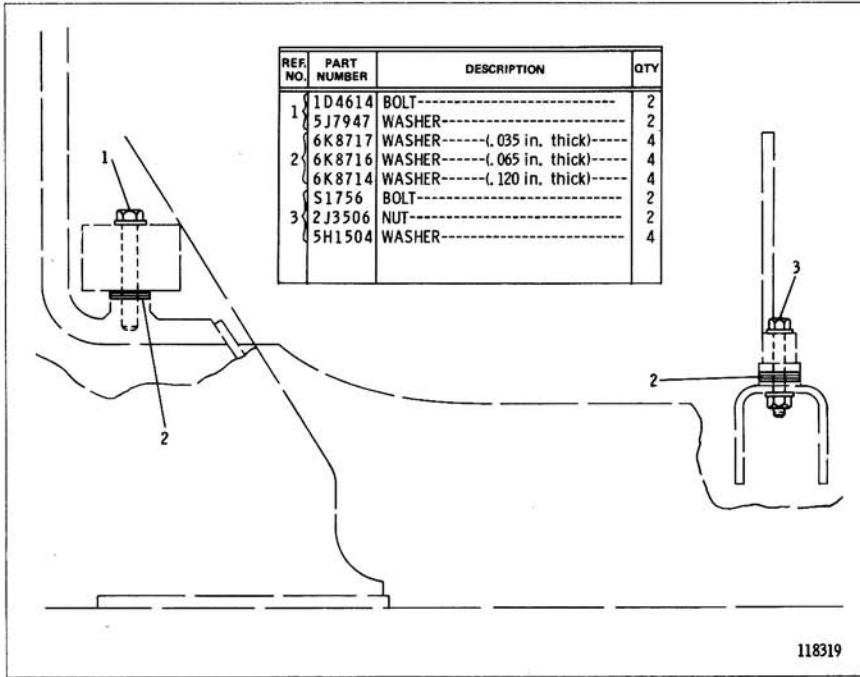
9M8511



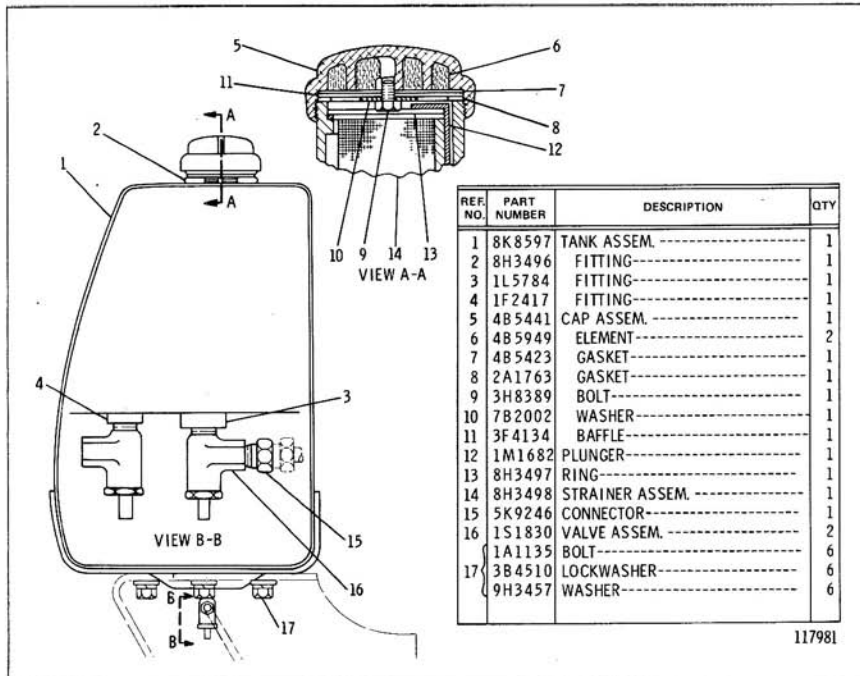
5M2734 PRESCREENER GROUP  
 AN ATTACHMENT



7S7134 MUFFLER GROUP

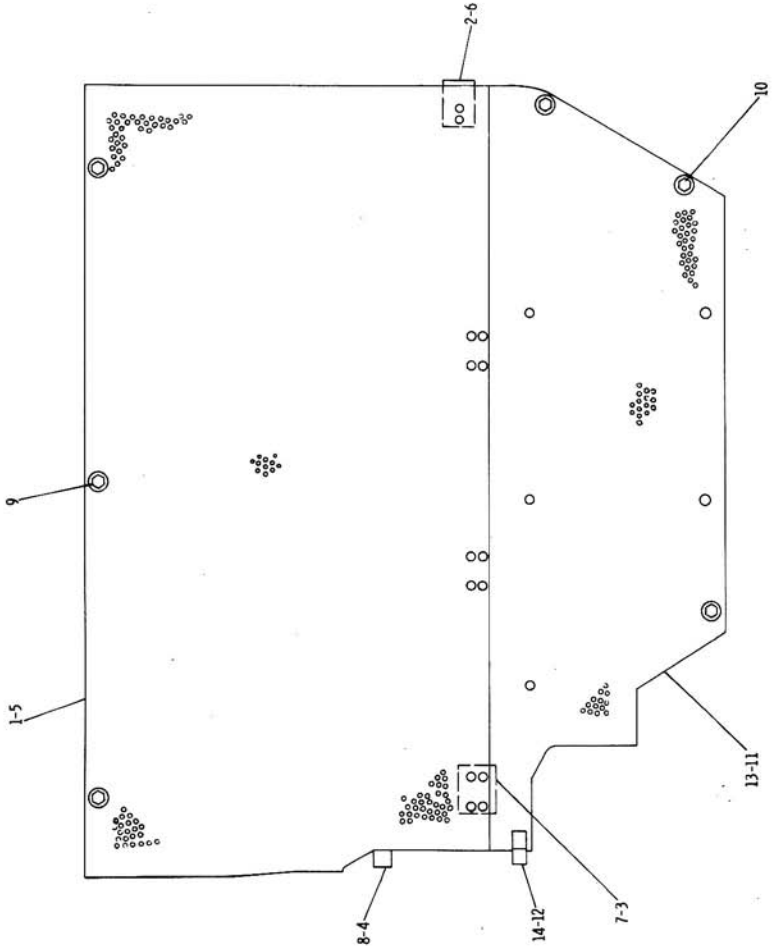


ENGINE MOUNTING HARDWARE (5K9717 N/S)

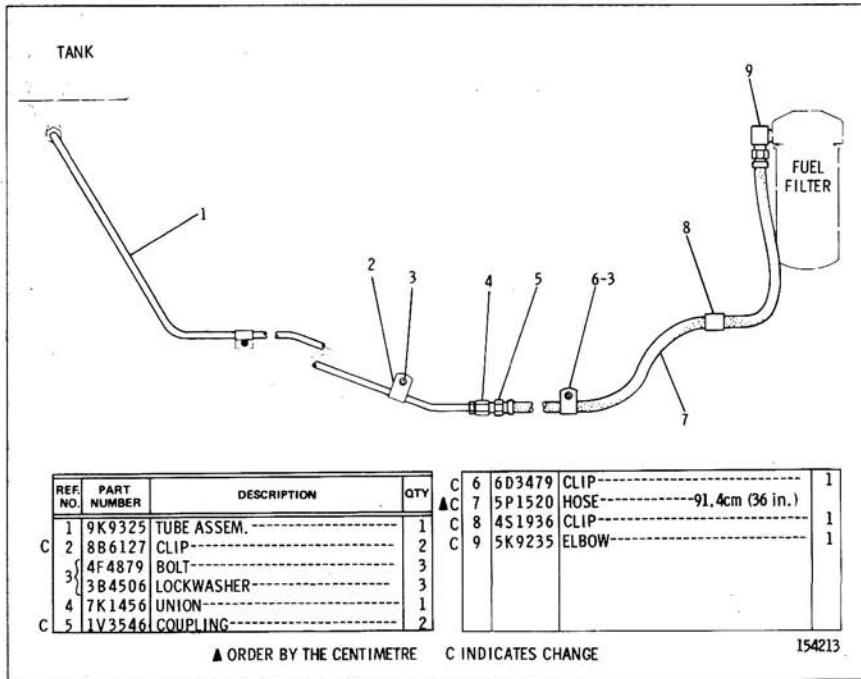


FUEL TANK (9K38 N/S)

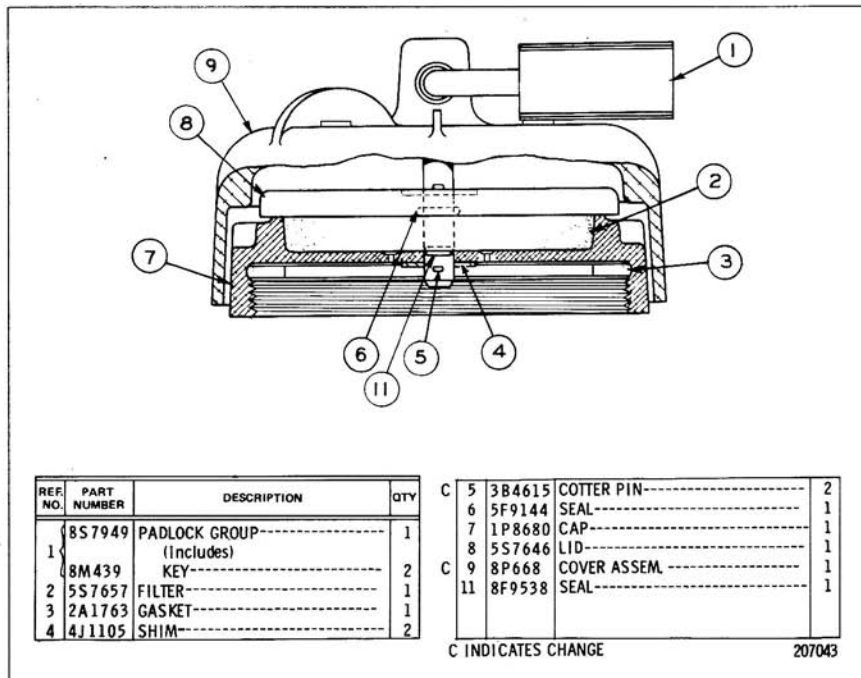
2V3992 ENGINE ENCLOSURE GROUP  
AN ATTACHMENT



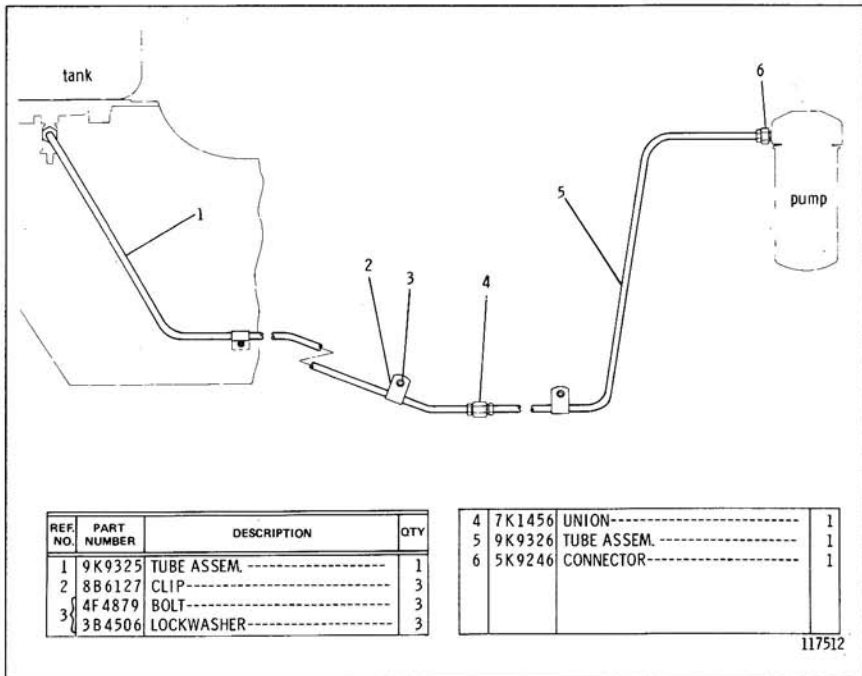
REF NO.	PART NUMBER	DESCRIPTION	QTY
1	2V3993	SHEET ASSEM, ----(upper-R, H.)-- (Includes)	1
2	9K175	CLIP-----	1
3	6K5381	CLIP-----	3
4	7K8104	CLIP-----	1
5	2V3997	SHEET ASSEM, ----(upper-L, H.)-- (Includes)	1
6	9K175	CLIP-----	1
7	6K5381	CLIP-----	3
8	7K8104	CLIP-----	1
9	6H1717 BOLT-----2.85 cm(1.125 in.) long 2H3855 BOLT-----2.22 cm(.875 in.) long 4B4280 WASHER-----		5
10	5K8548 BOLT-----		6
11	2V3995	SHEET ASSEM, ----(lower-R, H.)-- (Includes)	1
12	7K8103	CLIP----- (outer)	1
13	7K8105	CLIP----- (inner)	1
13	2V3999	SHEET ASSEM, ----(lower-L, H.)-- (Includes)	1
14	7K8105	CLIP----- (inner)	1
14	7K8103	CLIP----- (outer)	1



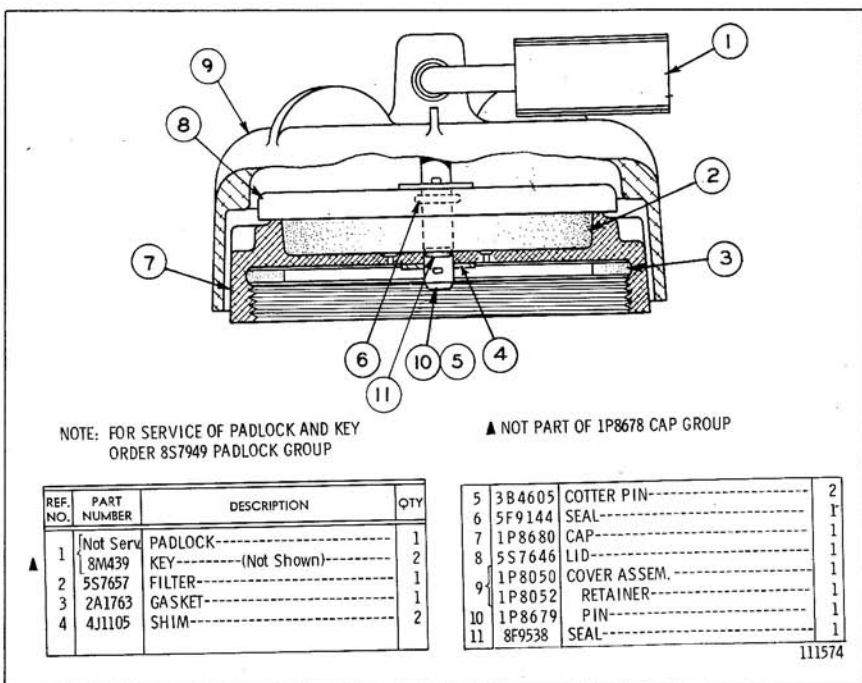
9K2 FUEL LINES GROUP  
Serial No. 86J3929—Up



1P8678 PROTECTION COVER GROUP—Fuel Tank Cap—Type 2  
Also part of 9K1429 Vandalism Protection Arrangement listed on Page 133  
AN ATTACHMENT

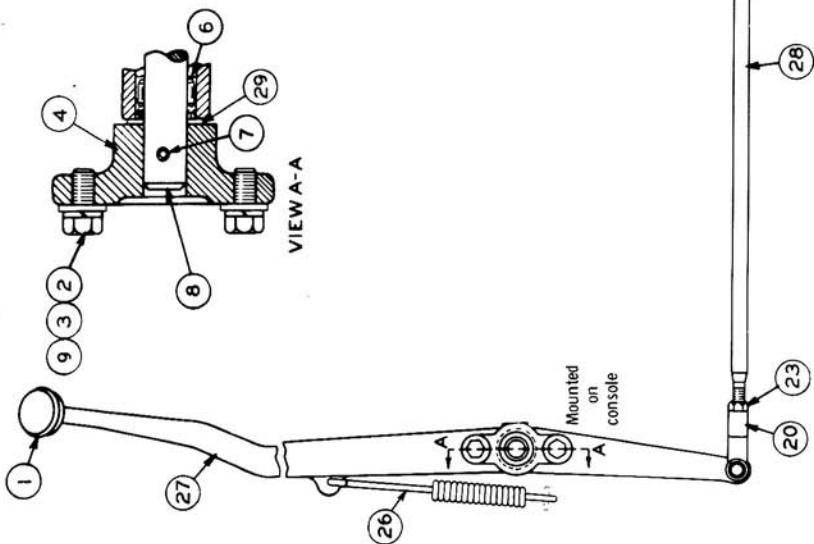


**9K2 FUEL LINES GROUP**  
Serial No. 86J2598 to 86J3928 inclusive



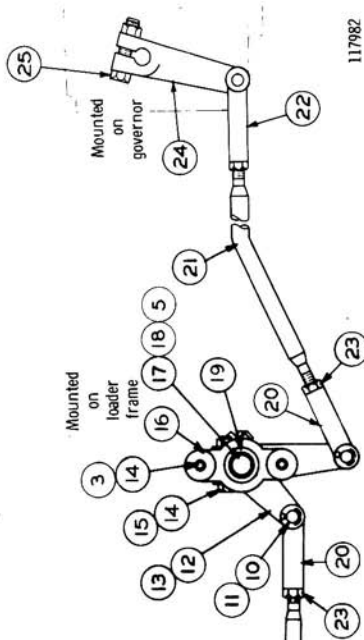
**1P8678 PROTECTION COVER GROUP—Fuel Tank Cap—Type 1**  
Also part of 9K1429 Vandalism Protection Arrangement listed on Page 133  
AN ATTACHMENT





REF. NO.	PART NUMBER	DESCRIPTION	QTY
1	7F8092	KNOB-----	1
2	L1351	BOLT-----	4
3	3B4506	LOCKWASHER-----	4
4	5K65	BRACKET-----	8
5	5J4042	WASHER---(L.88 in. Thick)---	2
6	5B639	WASHER---(L.250 in. Thick)---	1
7	6D5974	BEARING-----	1
8	1J5799	PIN-----	2
9	5K9259	SHAFT-----	1
10	4B4278	WASHER-----	1
11	1B676	PIN-----	4
12	3B4615	COTTER PIN-----	4
13	6K82	LEVER-----	4
14	4H4851	LEVER-----	1
15	S1591	BOLT-----	1
16	1D4717	NUT-----	6
17	1J5799	PIN-----	2
18	5K65	BRACKET-----	1
19	5J4042	WASHER---(L.88 in. Thick)---	1
20	3B4506	LOCKWASHER-----	1
21	5K65	BRACKET-----	1
22	5J4042	WASHER---(L.88 in. Thick)---	1
23	6D5974	BEARING-----	1
24	1J5799	PIN-----	1
25	5K9259	SHAFT-----	1
26	4B4278	WASHER-----	1
27	1B676	PIN-----	1
28	3B4615	COTTER PIN-----	1
29	6K82	LEVER-----	1
30	4H4851	LEVER-----	1
31	S1591	BOLT-----	1
32	1D4717	NUT-----	1

16	5K37	BRACKET-----	2
17	9K9686	SHAFT-----	1
18	1B8706	KEY-----	1
19	5K2294	BEARING-----	2
20	2K400	ROD END-----	3
21	9K9687	ROD-----	1
22	1A9252	ROD END-----	1
23	5B9079	NUT-----	4
24	9K9328	LEVER-----	1
25	1A9579	BOLT-----	1
26	1D4716	NUT-----	1
27	4D4971	SPRING-----	1
28	7K1873	LEVER-----	1
29	8K6981	ROD-----	1
30	1L3047	WASHER-----	1
31		(Use as Required)---	2



117982

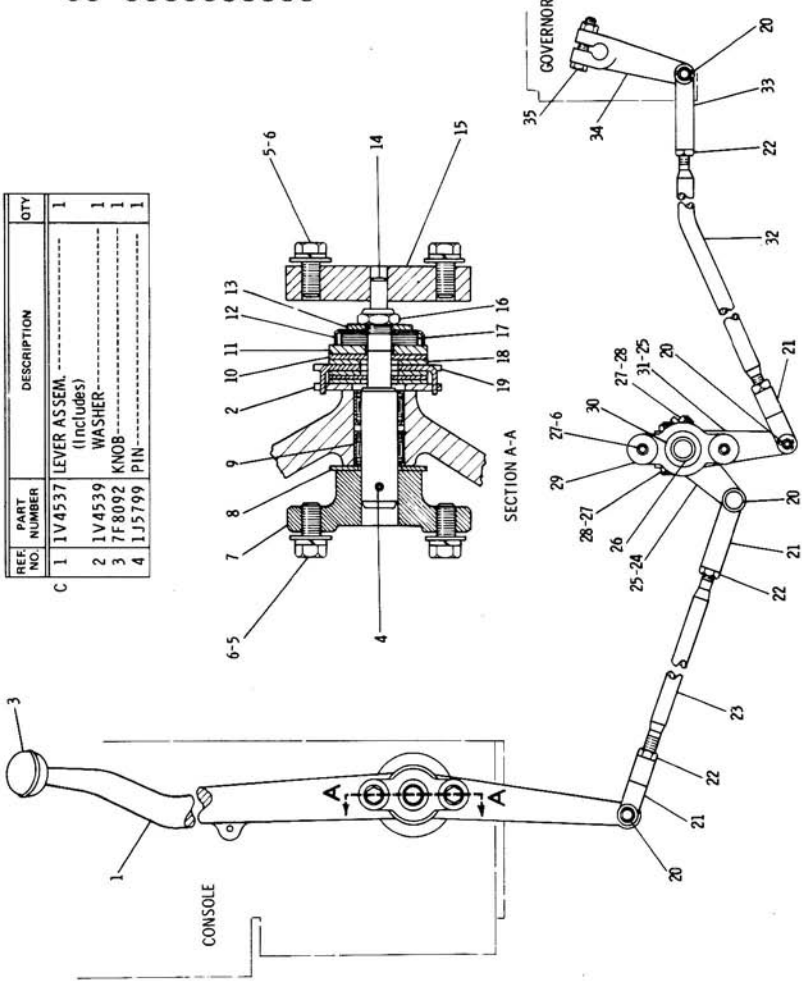
GOVERNOR CONTROL (9K35 N/S)  
Serial No. 86J2598 to 86J2752 inclusive

9K35 GOVERNOR CONTROL GROUP  
 Serial No. 86J2753 to 86J3320 inclusive

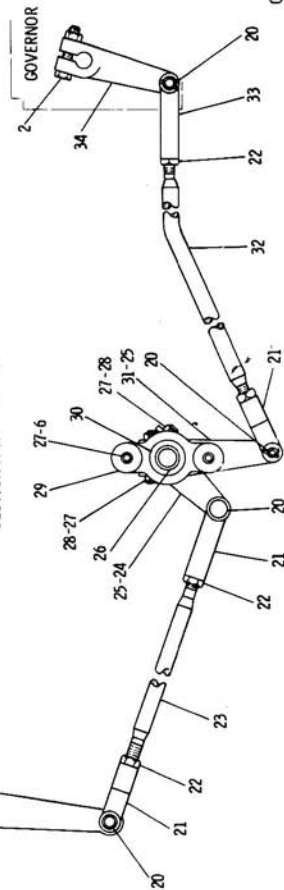
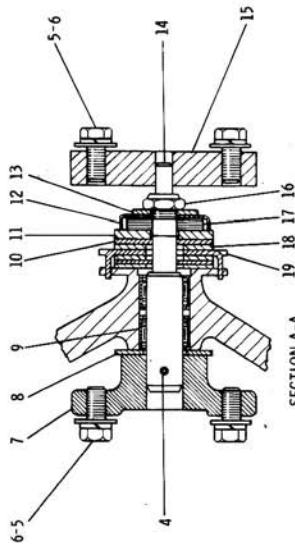
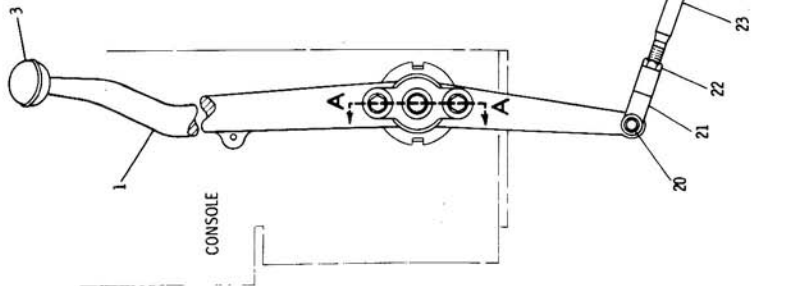
REF. PART NO.	DESCRIPTION	QTY
C 1	1V4537 LEVER ASSEM. (Includes)	1
2	1V4539 WASHER	1
3	7F8092 KNOB	1
4	1J5799 PIN	1

5	1L1351 BOLT	4
6	4B4278 WASHER	4
6	3B4506 LOCKWASHER	8
7	1V45 BRACKET	1
8	1V4540 DISC	1
9	6D5974 BEARING	2
C 10	1V4542 SPACER	2
C 11	1V6977 WASHER	1
C 12	L821 SEAT	1
C 13	4B5273 WASHER	1
C 14	1V4543 SHAFT	1
C 15	1V4546 BAR	1
C 16	5M9788 NUT	1
C 17	5D998 SPRING	6
C 18	1V4541 DISC	3
C 19	1V4544 SPACER	1
	1B676 PIN	4
	3B4615 COITER PIN	4
21	2K400 YOKE END	3
22	5B9079 NUT	4
23	8K6981 ROD	1
24	4H4851 LEVER	1
25	1B8706 KEY	2
	9K9686 SHAFT	1
26	5B8639 WASHER---(.250 in. thick)	1
	5J4042 WASHER---(.188 in. thick)	1
27	5L591 BOLT	6
28	1D4717 NUT	2
29	5K37 BRACKET	2
30	5K2294 BEARING	2
31	6K82 LEVER	1
32	9K9687 ROD	1
33	1A9252 ROD END	1
34	9K9328 LEVER	1
35	1A9579 BOLT	1
	1D4716 NUT	1

C INDICATES CHANGE 202172



REF. NO.	PART NUMBER	DESCRIPTION	QTY.
C 1	1V8800	LEVER ASSEM.	1
2	1A9579	BOLT	1
3	1D4716	NUT	1
3	7F8092	KNOB	1
4	1J5799	PIN	1



4	1J1351	BOLT	1
5	4B4278	WASHER	4
6	3B4506	LOCKWASHER	8
7	1V145	BRACKET	1
8	1V4540	DISC	1
9	6D5974	BEARING	2
10	1V4542	SPACER	2
11	1V6977	WASHER	1
12	L821	SEAT	1
13	4B5273	WASHER	1
14	1V4543	SHAFT	1
15	1V4546	BAR	1
C 16	4M8012	NUT	1
17	5D998	SPRING	3
18	1V4541	DISC	6
C 19	1V8799	SPACER	1
20	1B676	PIN	4
20	3B4615	COTTER PIN	4
21	2K400	YOKE END	3
22	5B9079	NUT	4
23	8K6981	ROD	1
24	4H4851	LEVER	1
25	1B8706	KEY	2
25	9K9686	SHAFT	1
26	5B639	WASHER---6.35 mm(.250 in.) thick	1
26	5L4042	WASHER---47.75 mm(1.88 in.) thick	1
27	S1591	BOLT	6
28	1D4717	NUT	2
29	5K37	BRACKET	2
30	5K2294	BEARING	2
31	6K82	LEVER	1
32	9K9687	ROD	1
33	1A9252	ROD END	1
34	9K9328	LEVER	1

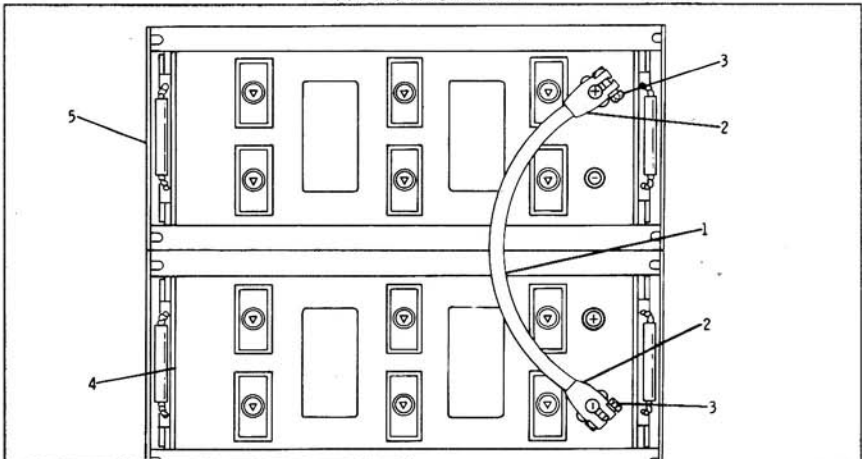
C INDICATES CHANGE

207606

9K35 GOVERNOR CONTROL GROUP  
Serial No. 86J3321—Up

Consists of:			Page
1	6K4391	Battery Group . . . . .	21
1	7S3622	Starting Motor Group . . . . .	22

1P4433 DIRECT ELECTRIC STARTING ARRANGEMENT—24 Volt  
 FACTORY INSTALLATION  
 FOR USE IN TEMPERATURES OF 0° FAHRENHEIT OR BELOW  
 AN ATTACHMENT



REF. NO.	PART NUMBER	DESCRIPTION	QTY			
1	6K8978	CABLE ASSEM.----- (Includes)	1			
	5P747	CABLE----40.64 cm(16 in.)				
2	3D2098	TERMINAL ASSEM.----- (Each Includes)	2			
C 3	1M6119	BOLT-----	1			
C	1M6120	NUT-----	1			
					4	4S9261 BATTERY----- (12 Volt)----- (Each Includes)
				C	4	7S5041 PLUG-----
				C	5	2V6491 HOLD-DOWN ASSEM.-----
						2

C INDICATES CHANGE      ▲ ORDER BY THE CENTIMETRE      207644

6K4391 BATTERY GROUP—24 Volt  
 Also part of 1P4433 Direct Electric Starting Arrangement  
 AN ATTACHMENT