

**585G, 586G and 588G  
Forklift  
Operators Manual**

**Bur 6-6443NA**

**CASE**



*THIS SAFETY ALERT SYMBOL INDICATES IMPORTANT SAFETY MESSAGES IN THIS MANUAL. WHEN YOU SEE THIS SYMBOL, CAREFULLY READ THE MESSAGE THAT FOLLOWS AND BE ALERT TO THE POSSIBILITY OF DEATH OR SERIOUS INJURY.*

M171D

Safety Decals on this machine use the words **Danger, Warning, or Caution**, which are defined as follows:

- **DANGER:** Indicates an immediate hazardous situation which if not avoided, will result in death or serious injury. The color associated with Danger is RED.
- **WARNING:** Indicates a potentially hazardous situation which if not avoided, will result in serious injury. The color associated with Warning is ORANGE.
- **CAUTION:** Indicates a potentially hazardous situation which if not avoided, may result in minor or moderate injury. It may also be used to alert against unsafe practices. The color associated with Caution is YELLOW.

## **WARNING**

IMPROPER OPERATION OF THIS MACHINE CAN CAUSE DEATH OR SERIOUS INJURY. BEFORE USING THIS MACHINE, MAKE CERTAIN THAT EVERY OPERATOR:

- Is instructed in safe and proper use of the machine.
- Reads and understands the Manual(s) pertaining to the machine.
- Reads and understands ALL Safety Decals on the machine.
- Clears the area of other persons.
- Learns and practices safe use of machine controls in a safe, clear area before operating this machine on a job site.

It is your responsibility to observe pertinent laws and regulations and follow Case Corporation instructions on machine operation and maintenance.

## TABLE OF CONTENTS

<b>TO THE OWNER</b> .....	1
585G, 586G and 588G Forklifts .....	1
<b>IDENTIFICATION NUMBERS</b> .....	3
RIGHT, LEFT,FRONT AND REAR OF MACHINE .....	5
MACHINE COMPONENTS .....	6
<b>SAFETY/DECALS/HAND SIGNALS</b> .....	9
SAFETY RULES .....	9
PERSONAL SAFETY .....	10
OPERATOR PRECAUTIONS .....	11
SAFETY DECALS .....	21
READ THE OPERATOR'S MANUAL .....	21
HAND SIGNALS .....	28
<b>INSTRUMENTS/CONTROLS</b> .....	31
INSTRUMENT PANEL .....	31
LEFT-HAND CONSOLE CONTROLS .....	34
RIGHT-HAND CONSOLE CONTROLS .....	36
TRANSMISSION CONTROLS .....	39
FOOT CONTROLS .....	41
PARKING BRAKE .....	42
FORKLIFT CONTROLS .....	43
AUXILIARY HYDRAULIC CONTROLS .....	44
SEAT CONTROLS .....	45
TOOL STORAGE BOX .....	46
<b>OPERATING INSTRUCTIONS</b> .....	47
ENGINE .....	47
ENGINE STARTING AIDS .....	49
MACHINE OPERATION .....	53
MOVING A DISABLED MACHINE .....	59
OPERATING IN COLD WEATHER .....	62
OPERATING IN HOT WEATHER .....	62
MACHINE STABILITY .....	63
LOAD CONTROL SYSTEM .....	73
<b>WHEELS AND TIRES</b> .....	75
<b>LUBRICATION/MAINTENANCE</b> .....	79
GENERAL SAFETY BEFORE YOU SERVICE .....	79
ENVIRONMENT .....	79
PLASTIC AND RESIN PARTS .....	80
ENGINE HOURMETER .....	80
FLUIDS CAPACITIES AND LUBRICANTS .....	81
ENGINE LUBRICATION .....	82
SYSTEMGARD™ LUBRICANT ANALYSIS SERVICE .....	84

LUBRICATION AND MAINTENANCE DECAL .....	85
LUBRICATION AND MAINTENANCE CHART .....	86
ENGINE ACCESS DOORS .....	88
AS REQUIRED MAINTENANCE .....	89
10 HOURS OR DAILY .....	90-91
50 HOUR MAINTENANCE .....	92-97
100 HOUR MAINTENANCE .....	98
250 HOUR MAINTENANCE .....	99-106
500 HOUR MAINTENANCE .....	107-113
1000 HOUR MAINTENANCE .....	114-122
2000 HOUR MAINTENANCE .....	123-124
FORK MAINTENANCE AND INSPECTION .....	125
LOAD CONTROL ACCUMULATOR .....	127
ETHER COLD START .....	128
PARK BRAKE ADJUSTMENT .....	129
SEAT BELT INSPECTION AND MAINTENANCE .....	130
FIRE EXTINGUISHER .....	131
<b>ELECTRICAL SYSTEM</b> .....	<b>133</b>
BATTERY MAINTENANCE .....	136
<b>MACHINE STORAGE</b> .....	<b>139</b>
PREPARING THE MACHINE FOR STORAGE .....	139
REMOVING THE MACHINE FROM STORAGE .....	140
<b>SPECIFICATIONS</b> .....	<b>141</b>
ENGINE .....	141
HYDRAULIC SYSTEM .....	141
ELECTRICAL SYSTEM .....	141
REPLACEMENT BULBS .....	141
DIESEL FUEL .....	142
FUEL STORAGE .....	142
CAPACITIES .....	143
TRAVEL SPEEDS .....	143
TIRES .....	144
WEIGHTS .....	145
OPERATING DATA .....	146
<b>INDEX</b> .....	<b>155</b>
<b>AFTER DELIVERY CHECK</b> .....	<b>157</b>

# TO THE OWNER

## 585G, 586G and 588G Forklifts



BD01G053

This manual contains important information about the safe operation, adjustment and maintenance of your Case Forklift. Refer to the Detail Index at the end of this manual for locating specific items about your machine. The Forklift conforms to current safety regulations.

Use this manual as a guide. Your Forklift will remain a reliable working tool as long as it is kept in good working condition and serviced properly.

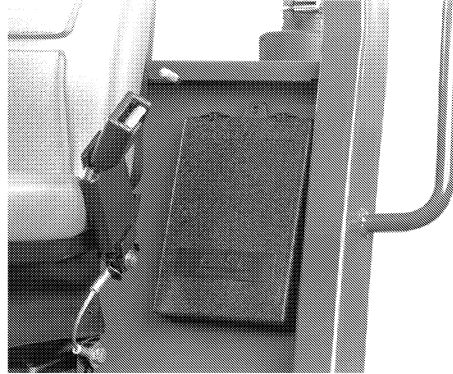
Do Not operate or permit anyone to operate or service this machine until you or the other persons have read and understand the safety, operation and maintenance instructions in this manual. Use only trained operators who have demonstrated the ability to operate and service this machine correctly and safely.

This Forklift, with standard equipment and authorized attachments, is intended to be used for above ground material handling such as truck loading or unloading and job site material transporting. This machine is not intended to be used for towing other equipment or transporting loads at high speeds.

**Do Not** use this machine for any application or purpose other than those described in this manual. Consult an authorized dealer of the Case Corporation on changes, additions or modifications that can be required for this machine to comply with various country regulations and safety requirements. Unauthorized modifications will cause serious injury or death. Anyone making such unauthorized modifications is responsible for the consequences.

## TO THE OWNER

---



### OPERATOR'S MANUAL STORAGE

BK99A006

This Operators Manual is to be stored in the manual compartment equipped on this machine. Make sure this manual is complete and in good condition. Contact your dealer to obtain additional manuals. Contact your dealer for any further information or assistance about your machine. Your dealer has Case Corporation approved service parts. Your dealer has technicians with special training that know the best methods of repair and maintenance for your Forklift.

## AFTER DELIVERY CHECK

Two copies of the After Delivery Check are in the back of this manual. One copy is for you, one copy for your dealer. Make sure that your dealer does the After Delivery Check after the first 100 hours of machine operation.

**NOTE:** *Your cost for this inspection will be for filters, oil or other accessories. If the dealer comes to your machine, there can also be a cost for the time and distance.*

## IDENTIFICATION NUMBERS

Write your machine Model Number, Product Identification Number (P.I.N.) and Serial Numbers on the line provided below. If needed, give these numbers to your dealer when you need parts or information for your machine.

Keep these numbers and your Manufacturer's Statement of Origin in a safe place. If the machine is stolen, report the number to your local law enforcement agency.

MACHINE MODEL NUMBER .....

PRODUCT IDENTIFICATION NUMBER .....

ENGINE SERIAL NUMBER .....

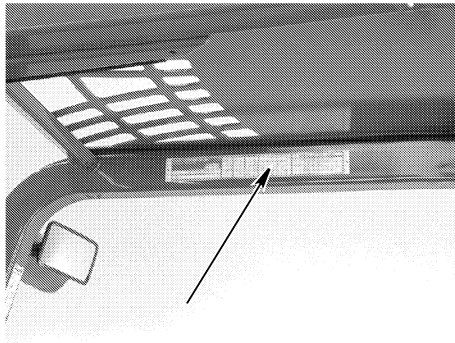
ROPS CANOPY .....

TRANSMISSION .....

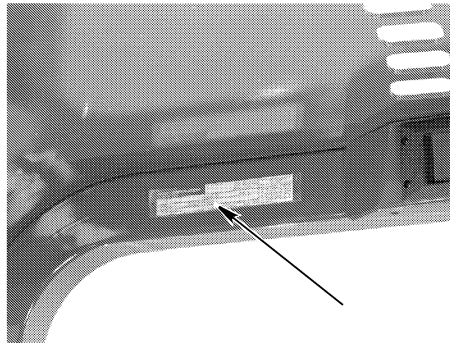
DRIVE AXLE .....

STEER AXLE .....

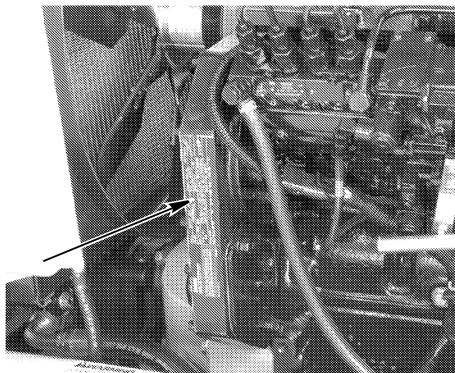
FORKLIFT MAST .....



**PRODUCT IDENTIFICATION NUMBER** BK99A009



**ROPS CANOPY** BK99A007



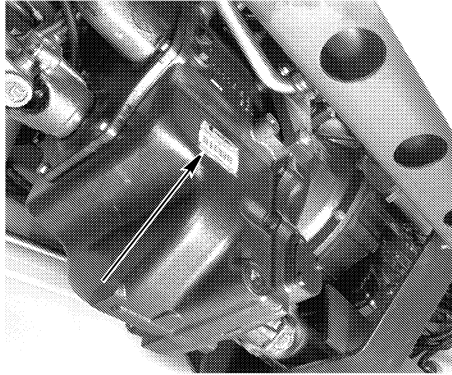
**ENGINE SERIAL NUMBER** BK99A008



**FORKLIFT MAST** BD01G060

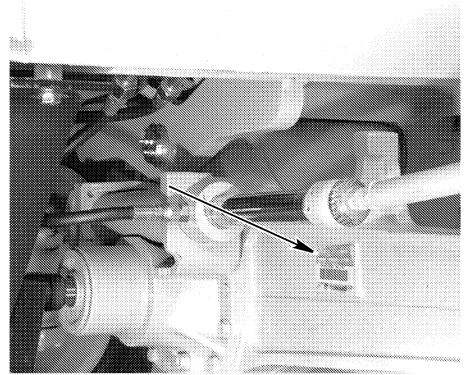
IDENTIFICATION NUMBERS

---



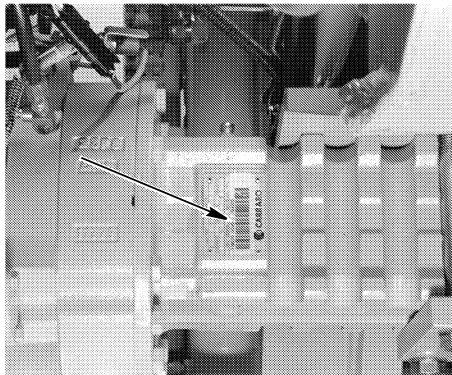
**TRANSMISSION**

BK99A011



**STEER AXLE**

BK99A012



**DRIVE AXLE**

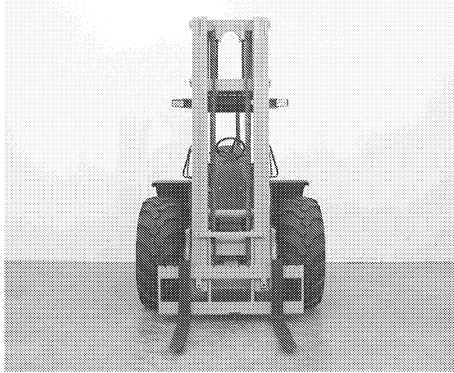
BK99A010



## RIGHT, LEFT, FRONT AND REAR OF MACHINE

Right-hand and left-hand, front and rear, when used in this manual, indicate the right and left sides of the machine as seen from the operator's seat.

### Machine Front



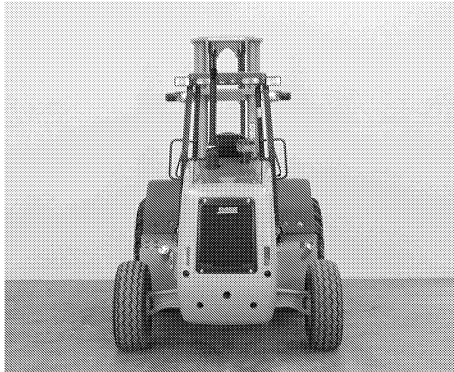
BD99D004

### Machine Right-Hand Side



BD01G060

### Machine Rear



BD01G059

### Machine Left-Hand Side

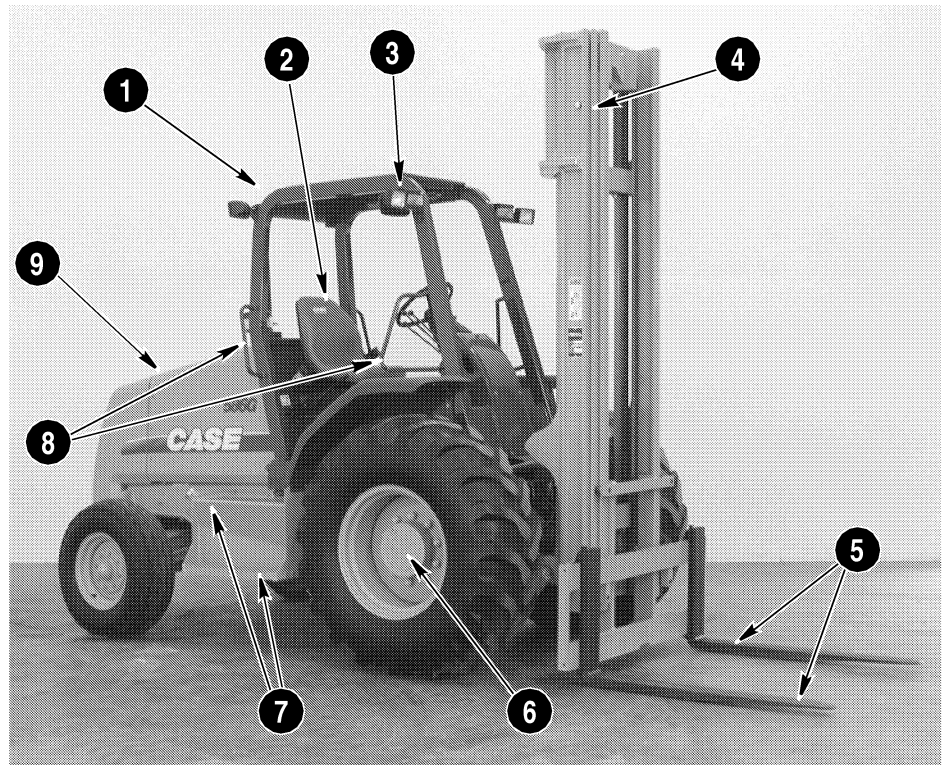


BD01G058

IDENTIFICATION NUMBERS

---

**MACHINE COMPONENTS**



BD99D022

- |                    |                       |
|--------------------|-----------------------|
| 1. ROPS CANOPY     | 6. DRIVE AXLE         |
| 2. OPERATOR'S SEAT | 7. STEPS              |
| 3. HEADLAMP        | 8. HAND RAILS         |
| 4. STANDARD MAST   | 9. ENGINE COMPARTMENT |
| 5. LIFTING FORKS   |                       |