

**584E, 585E and
586E Forklift**
Operators Manual

Rac 9-11046

Reprinted





THIS SAFETY ALERT SYMBOL INDICATES IMPORTANT SAFETY MESSAGES IN THIS MANUAL. WHEN YOU SEE THIS SYMBOL, CAREFULLY READ THE MESSAGE THAT FOLLOWS AND BE ALERT TO THE POSSIBILITY OF PERSONAL INJURY OR DEATH.

M171B

Safety Decals on this machine use the words **Danger, Warning or Caution**, which are defined as follows:

- **DANGER:** Indicates an immediate hazardous situation which, if not avoided, will result in death or serious injury. The color associated with Danger is RED.
- **WARNING:** Indicates a potentially hazardous situation which, if not avoided will result in serious injury. The color associated with Warning is ORANGE.
- **CAUTION:** Indicates a potentially hazardous situation which, if not avoided, may result in minor or moderate injury. It may also be used to alert against unsafe practices. The color associated with Caution is YELLOW.



WARNING

IMPROPER OPERATION OF THIS MACHINE CAN CAUSE INJURY OR DEATH. BEFORE USING THIS MACHINE, MAKE CERTAIN THAT EVERY OPERATOR:

- Is instructed in safe and proper use of the machine.
- Reads and understands the Manual(s) pertaining to the machine.
- Reads and understands ALL Safety Decals on the machine.
- Clears the area of other persons.
- Learns and practices safe use of machine controls in a safe, clear area before operating this machine on a job site.

It is your responsibility to observe pertinent laws and regulations and follow Case Corporation instructions on machine operation and maintenance.

GENERAL TABLE OF CONTENTS

TO THE OWNER	1
AFTER DELIVERY CHECK	2
RIGHT AND LEFT SIDE OF MACHINE	2
IDENTIFICATION NUMBER/MACHINE COMPONENTS	3
PRODUCT IDENTIFICATION AND SERIAL NUMBERS	3
MACHINE MAIN COMPONENTS	5
SAFETY/DECALS	7
SAFETY RULES	7
BEFORE OPERATION	8
MACHINE OPERATION	9
PARKING THE MACHINE	10
MAINTENANCE	10
BURN PREVENTION	11
FIRE OR EXPLOSION PREVENTION	11
WHEELS AND TIRES SAFETY	12
CAST IRON PARTS	13
MACHINE TRANSPORT	13
SPARK ARRESTER	13
SMV - SLOW MOVING VEHICLE EMBLEM	14
ROPS	14
FIRE EXTINGUISHER	15
HAZARDOUS CHEMICALS	15
SEAT BELTS	16
SAFETY DECALS	17
INSTRUMENTS/CONTROLS	21
INSTRUMENT CLUSTER	21
MACHINE CONTROLS	24
TRANSMISSION AND FOOT CONTROLS	26
PARKING BRAKE	28
SEAT CONTROL	28
FORKLIFT CONTROLS	29
OPERATING INSTRUCTIONS	30
ENGINE OPERATION	30
JOB SITE	37
MACHINE OPERATION	37
CAUTION	42
TRANSPORTING THE MACHINE ON A TRAILER	43
OPERATING IN COLD WEATHER	44
OPERATING IN HOT WEATHER	45

TRIM THIS EDGE

MACHINE STABILITY	46
ADJUSTING THE FORKS	54
TIRES/WHEELS	55
WHEEL AND TIRES	55
LUBRICATION/MAINTENANCE	57
GENERAL SAFETY	57
BEFORE YOU SERVICE YOUR MACHINE	57
ENVIRONMENT	57
PLASTIC AND RESIN PARTS	58
ENGINE HOURMETER	58
FLUIDS CAPACITIES AND LUBRICANTS	59
ENGINE LUBRICATION	60
SYSTEMGARD™ LUBRICANT ANALYSIS SERVICE	62
RUN-IN PERIOD	63
LUBRICATION AND MAINTENANCE DECAL	63
LUBRICATION AND MAINTENANCE CHART	64
LUBRICATION AND GREASE FITTINGS	66
ENGINE LUBRICATION SYSTEM	70
AIR CLEANING SYSTEM	72
ENGINE COOLING SYSTEM	76
DIESEL FUEL SYSTEM	79
HYDRAULIC SYSTEM	83
POWER SHUTTLE TRANSMISSION	86
FOUR-SPEED TRANSAXLE	90
FOUR WHEEL DRIVE AXLE	91
TRANSFER CASE	93
SPARK ARRESTER MUFFLER	94
FORK MAINTENANCE AND INSPECTION	95
REAR WHEEL BEARINGS	97
REPLACING THE ETHER COLD START CONTAINER	99
BRAKES	100
SEAT BELT INSPECTION AND MAINTENANCE	103
DECALS	103
ROLL-OVER PROTECTIVE STRUCTURE	104
ELECTRICAL	107
ELECTRICAL SYSTEM	107
BATTERY MAINTENANCE	110
BATTERY RECYCLING	111
MACHINE STORAGE	112
STORAGE	112
SPECIFICATIONS	114

ENGINE	114
COOLING SYSTEM	114
ELECTRICAL SYSTEM	114
DIESEL FUEL	115
REPLACEMENT BULBS	116
HYDRAULIC SYSTEM	116
FRONT DRIVE AXLE	116
TRAVEL SPEEDS	116
CAPACITIES	116
TIRES	117
WEIGHTS	118
OPERATING DATA	119
DETAIL INDEX	122
AFTER DELIVERY CHECK	129

TRIM THIS EDGE

TRIM THIS EDGE

TO THE OWNER



RK98E091

TRIM THIS EDGE

This manual contains important information about the safe operation, adjustment and maintenance of your Case Forklift. Refer to the Detail Index at the end of this manual for locating specific items about your machine. The Forklift conforms to current safety regulations.

Use this manual as a guide. Your Forklift will remain a reliable working tool as long as it is kept in good working condition and serviced properly.

Do Not operate or permit anyone to operate or service this machine until you or the other persons have read and understand the safety, operation and maintenance instructions in this manual. Use only trained operators who have demonstrated the ability to operate and service this machine correctly and safely.

This Forklift, with standard equipment and attachments, is intended to be used for above ground material handling such as truck loading or unloading and job site material transporting. This machine is not intended to be used for towing other equipment or transporting loads at high speeds.

Do Not use this machine for any application or purpose other than those described in this manual. Consult an authorized dealer or the Case Corporation on changes, additions or modifications that can be required for this machine. Unauthorized modifications will cause serious injury or death. Anyone making such unauthorized modifications is responsible for the consequences.

March, 1990 (Revised May, 1998)

TO THE OWNER

This Operators Manual is to be stored in the manual compartment equipped on this machine. Make sure this manual is complete and in good condition. Contact your dealer to obtain additional manuals. Contact your dealer for any further information or assistance about your machine. Your dealer has Case Corporation approved service parts and technicians with special training that know the best methods or repair and maintenance for your Forklift.



RK98E007

OPERATORS MANUAL STORAGE

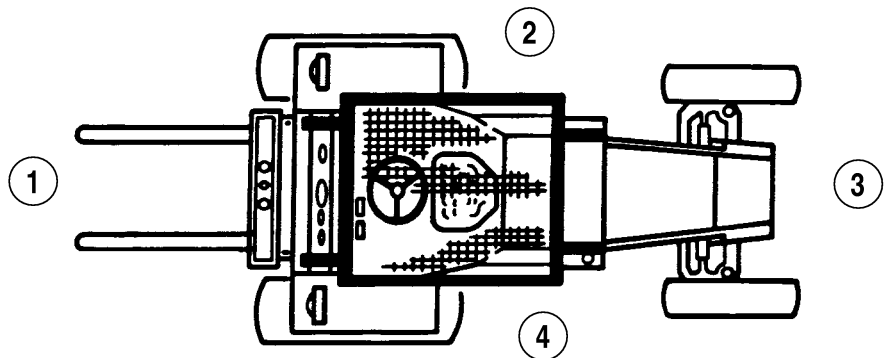
AFTER DELIVERY CHECK

Two copies of the After Delivery Check are in the back of this manual. One copy is for you, one copy for your dealer. Make sure that your dealer does the After Delivery Check after the first 100 hours of machine operation.

NOTE: *Your cost for this inspection will be for filters, oil or other accessories. If the dealer comes to your machine, there can also be a cost for the time and distance.*

TRIM THIS EDGE

RIGHT AND LEFT SIDE OF MACHINE



1. FRONT OF MACHINE
2. RIGHT SIDE

3. REAR OF MACHINE
4. LEFT SIDE

851194

When you are in the Forklift operators seat looking forward, the Right and Left sides of the Forklift are the same as your Right and Left hand.

IDENTIFICATION NUMBER/MACHINE COMPONENTS

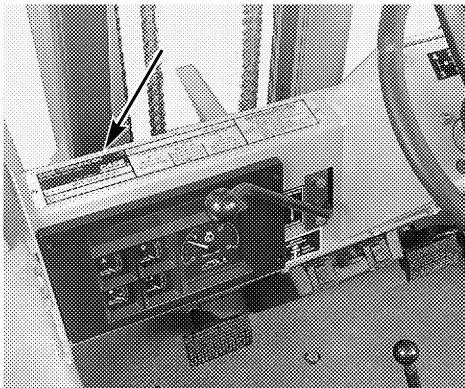
PRODUCT IDENTIFICATION AND SERIAL NUMBERS

Write your machine Model Number, Product Identification Number (P.I.N.) and Serial Numbers on the line provided below. If needed, give these numbers to your dealer when you need parts or information for your machine.

Make a record of the numbers. Keep the record and your Manufacturer's Statement of Origin in a safe place. If the machine is stolen, report the number to your local law enforcement agency.

Model Number

Product Identification Number (P.I.N.)

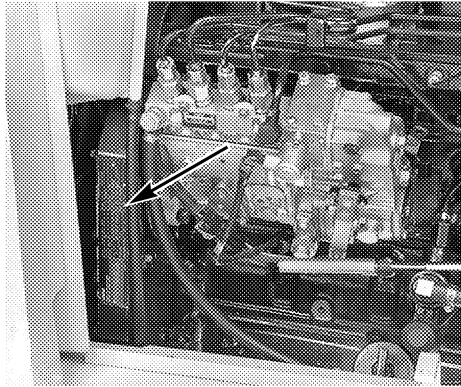


RK98E016

Model Number _____

P.I.N. _____

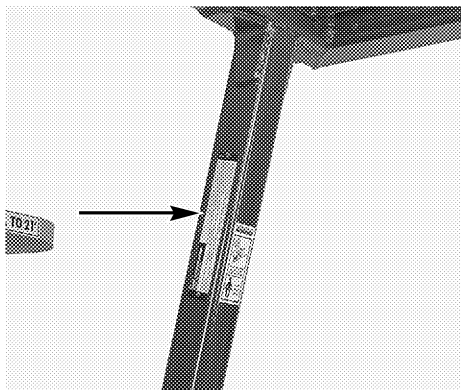
Engine



RK98E055

Serial Number _____

ROPS Canopy



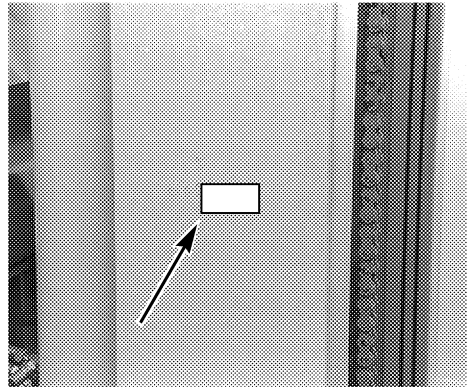
RK98E017

Serial Number _____

TRIM THIS EDGE

IDENTIFICATION NUMBER/MACHINE COMPONENTS

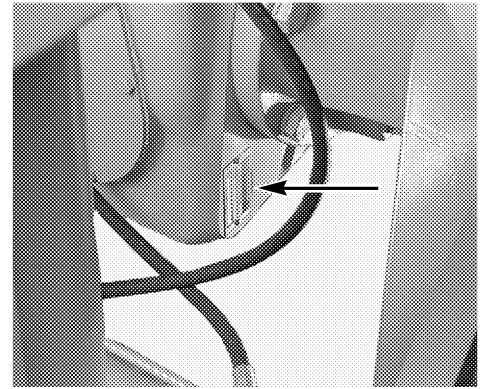
Forklift Mast



RK98E074

Serial Number _____

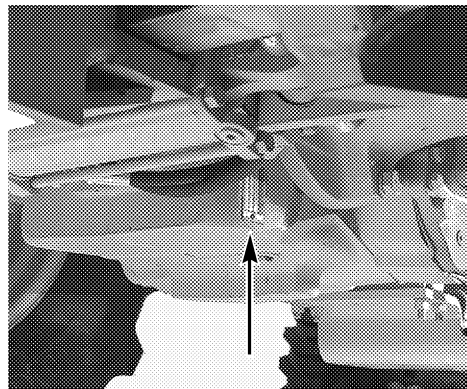
Transaxle



RK98E027

Serial Number _____

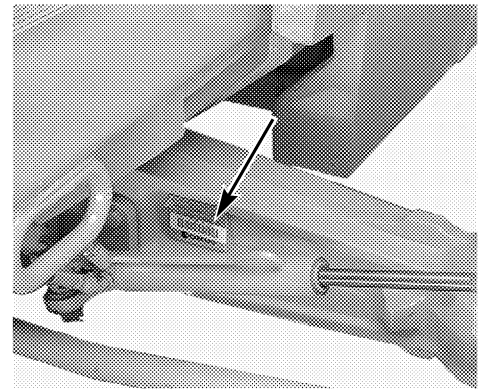
Power Shuttle Transmission



RK98E092

Serial Number _____

Steering Axle



RK98E029

Serial Number _____

TRIM THIS EDGE