

# CX460 Excavator

## Operator's Manual

Bur 6-34450na

**CASE**



*THIS SAFETY ALERT SYMBOL INDICATES IMPORTANT SAFETY MESSAGES IN THIS MANUAL. WHEN YOU SEE THIS SYMBOL, CAREFULLY READ THE MESSAGE THAT FOLLOWS AND BE ALERT TO THE POSSIBILITY OF DEATH OR SERIOUS INJURY*

M171D

Safety Decals on this machine use the words **Danger, Warning, or Caution**, which are defined as follows:

- **DANGER:** Indicates an immediate hazardous situation that, if not avoided, will result in death or serious injury. The color associated with Danger is RED.
- **WARNING:** Indicates a potentially hazardous situation that, if not avoided, could result in death or serious injury. The color associated with Warning is ORANGE.
- **CAUTION:** Indicates a potentially hazardous situation which, if not avoided, may result in minor or moderate injury. It may also be used to alert against unsafe practices. The color associated with Caution is YELLOW.



## WARNING

IMPROPER OPERATION OF THIS MACHINE CAN CAUSE DEATH OR SERIOUS INJURY. BEFORE USING THIS MACHINE, MAKE CERTAIN THAT EVERY OPERATOR:

- Is instructed in safe and proper use of the machine.
- Reads and understands the Manual(s) pertaining to the machine.
- Reads and understands ALL Safety Decals on the machine.
- Clears the area of other persons.
- Learns and practices safe use of machine controls in a safe, clear area before operating this machine on a job site.

It is your responsibility to observe pertinent laws and regulations and follow Case Corporation instructions on machine operation and maintenance.

## TABLE OF CONTENTS

<b>TO THE OWNER</b> .....	1
CX460 EXCAVATOR .....	1
RIGHT,LEFT,FRONT AND REAR OF THE MACHINE .....	3
<b>IDENTIFICATION NUMBERS</b> .....	5
TYPE, SERIAL NUMBER AND YEAR OF MANUFACTURE .....	5
MACHINE COMPONENTS .....	6
<b>SAFETY/DECALS/HAND SIGNALS</b> .....	7
SAFETY RULES .....	7
UTILITY SAFETY .....	8
PERSONAL SAFETY .....	9
SAFETY AREA .....	9
OPERATOR PRECAUTIONS .....	10
DECALS .....	20
HAND SIGNALS .....	29
<b>INSTRUMENTS/CONTROLS</b> .....	33
CAB DOOR .....	33
STEPS AND ACCESS HANDLES .....	34
FUNCTION CANCELLATION LEVER AND SAFETY BAR .....	35
OPERATOR'S COMPARTMENT CONTROLS .....	36
LOCATION OF CONTROLS AND ASSOCIATED COMPONENTS .....	36
RIGHT-HAND CONTROL ARM .....	39
LEFT-HAND CONTROL ARM .....	40
SYSTEMS DISPLAY AND CONTROL PANEL .....	42
ANTI-THEFT DEVICE .....	50
ARM AND UPPERSTRUCTURE SWING CONTROL .....	53
LEFT-HAND CONTROL LEVER .....	53
BOOM AND BUCKET CONTROL .....	54
RIGHT-HAND CONTROL LEVER .....	54
OPTIONAL CONTROL PATTERN .....	55
ARM AND UPPERSTRUCTURE SWING LEFT-HAND CONTROL LEVER .....	55
OPTIONAL CONTROL PATTERN .....	56
BOOM AND BUCKET RIGHT-HAND CONTROL LEVER .....	56
TRAVEL CONTROL LEVERS AND PEDALS .....	57
AUTOMATIC TEMPERATURE CONTROL SYSTEM .....	61
OPERATOR'S SEAT .....	66
WINDSHIELD .....	69
LOWER FRONT WINDOW .....	71
REAR WINDOW AND EMERGENCY EXIT .....	72
FUEL TANK .....	73
REAR VIEW MIRRORS .....	74
SIDE DOORS .....	75
ENGINE HOOD .....	76
LOWER PANELS .....	77

TRIM THIS EDGE

TRIM THIS EDGE

WINDSHIELD WASHER RESERVOIR .....	77
TOWING HOLES .....	78
CYLINDER MOUNTED LOAD HOLDING CONTROL DEVICES (OPTIONAL) .....	79
TOOL SUPPLY VALVES (OPTIONAL) .....	80
<b>OPERATING INSTRUCTIONS</b> .....	<b>83</b>
BEFORE OPERATING THE MACHINE .....	83
MACHINE OPERATION .....	84
BREAK-IN PERIOD .....	87
ANTI-VANDAL GUARD .....	88
STARTING THE ENGINE .....	90
BRINGING THE MACHINE UP TO OPERATING TEMPERATURE .....	92
ENGINE OPERATION .....	93
OPERATING THE MACHINE IN COLD WEATHER .....	94
OPERATING THE MACHINE IN HOT WEATHER .....	94
STOPPING THE ENGINE .....	95
MACHINE TRAVEL .....	96
LIFTING LOADS WITH THE MACHINE .....	99
OPERATING THE MACHINE IN WATER .....	101
OPERATING THE MACHINE ON SLOPING GROUND .....	101
OPERATING THE BUCKET .....	102
PARKING THE MACHINE .....	103
SETTING THE TRACKS IN TRANSPORT POSITION .....	106
SETTING THE TRACKS IN WORKING POSITION .....	107
SELF-DETACHING COUNTERWEIGHT (OPTIONAL) .....	108
REMOVAL .....	108
INSTALLATION .....	110
AUXILIARY HYDRAULIC (OPTIONAL) .....	111
TRANSPORTING THE MACHINE .....	114
<b>LUBRICATION</b> .....	<b>117</b>
FLUIDS AND LUBRICANTS .....	117
SYSTEMGARD LUBRICATION ANALYSIS PROGRAM .....	118
HOURLY METER .....	119
DAILY INSPECTION .....	119
INTERVALS .....	121
ENGINE OIL .....	123
OIL VISCOSITY/OIL RANGE .....	124
FLUID AND LUBRICANT CAPACITIES AND SPECIFICATIONS .....	126
HYDRAULIC FLUID CHART .....	127
GREASE POINTS .....	128
ATTACHMENT .....	130
GREASING THE TURNTABLE TEETH .....	132
GREASING THE SWING REDUCTION GEAR .....	132
FLUID LEVELS .....	134
ENGINE .....	135

II

TRIM THIS EDGE

LEFT PAGE

Bur 6-34450na

COOLING SYSTEM .....	138
FUEL SYSTEM .....	141
RELEASING PRESSURE IN THE HYDRAULIC SYSTEM .....	145
HYDRAULIC SYSTEM .....	146
RESERVOIR BREATHER REPLACEMENT .....	153
BLEEDING AIR FROM THE HYDRAULIC COMPONENTS .....	155
AIR FILTER .....	158
SERVICE SPECIFICATIONS .....	158
SWING REDUCTION GEAR .....	161
TRAVEL REDUCTION GEARS .....	162
<b>ADJUSTMENT/MAINTENANCE .....</b>	<b>163</b>
TRACKS .....	163
TRACK SHOE BOLT TORQUE .....	166
TRACK ROLLERS AND IDLER WHEELS .....	166
RADIATOR AND OIL COOLER .....	167
FAN AND ALTERNATOR DRIVE BELT .....	168
FUEL TANK FILTER .....	170
INSPECTING AND CLEANING THE MACHINE .....	170
CHECKING FOR CYLINDER LEAKAGE .....	171
PLASTIC AND RESIN PARTS .....	171
REPLACING A BUCKET .....	172
WELDING ON THE MACHINE .....	174
FIRE EXTINGUISHER (OPTIONAL) .....	174
AIR CONDITIONING .....	175
HARDWARE TORQUE INSPECTION .....	178
TORQUE SPECIFICATIONS PER COMPONENT .....	179
<b>ELECTRICAL .....</b>	<b>181</b>
BATTERIES .....	183
CONNECTING BOOSTER BATTERIES .....	185
REPLACING A BULB .....	186
<b>MACHINE STORAGE .....</b>	<b>189</b>
<b>SPECIFICATIONS .....</b>	<b>193</b>
ENGINE .....	193
HYDRAULIC SYSTEM .....	194
WEIGHTS .....	195
BUCKETS .....	197
DIMENSIONS .....	198
WORKING RANGE WITH RETRACTABLE FRAMES .....	210
WORKING RANGE WITH FIXED SIDE FRAMES .....	213
LIFTING CAPACITIES .....	216
<b>INDEX .....</b>	<b>229</b>

TRIM THIS EDGE

TRIM THIS EDGE

IV

TRIM THIS EDGE

LEFT PAGE

Bur 6-34450na

# TO THE OWNER

## CX460 EXCAVATOR



CD01K001

Your machine has been designed and built to the highest standards of quality. It conforms to all current safety regulations. However, the risk of accidents can never be completely excluded. That is why it is essential to observe elementary safety rules and precautions.

Read this manual carefully, paying particular attention to the instructions concerning safety, operation and maintenance so as to avoid the risk of injury while operating or servicing the machine.

Use this manual as a guide. Your machine will remain a reliable working tool provided it is kept in good working condition and serviced properly.

The standard attachments and equipment available for use with this machine are intended for general earth moving purposes, material rehandling, etc. If the machine is to be used for handling loads, (tubing, concrete pipe sections, shoring material, etc.), make sure the machine is suitably equipped for this type of work. For this type of application, the machine must be equipped with safety valves, an overload indicator, a load handling chart corresponding to the type of machine and its attachment and a load fixing point. All legal requirements must also be strictly observed.

## TO THE OWNER

---

Do not use this machine for any application or purpose other than those described in this manual. If the machine is to be used for work involving the use of special attachments, accessories or equipment, consult your CASE Dealer in order to make sure that any adaptations or modifications made are in keeping with the machine's technical specifications and with prevailing safety requirements.

Any modification or adaptation which is not approved by the manufacturer may invalidate the machine's initial conformity with safety requirements.

The machine must undergo regular inspections, the frequency of which varies according to the type of use. Consult your CASE Dealer.

Before permitting a new operator on this machine, make sure:

1. That the operator has received the necessary training on how to operate the machine correctly and safely in one of our training centers or from an approved organization.
2. That the operator has read and understood the instructions given in this manual.

Always keep this manual in the operator's compartment (in the seat back, behind the operator's seat). Make sure it is always complete and in good condition. If you wish to obtain additional manuals, or manuals in another language, consult your CASE Dealer.

Your CASE Dealer is at your disposal for any further information. He will also provide any after-sales service you may require, and genuine CASE spare parts, your guarantee of quality and match.

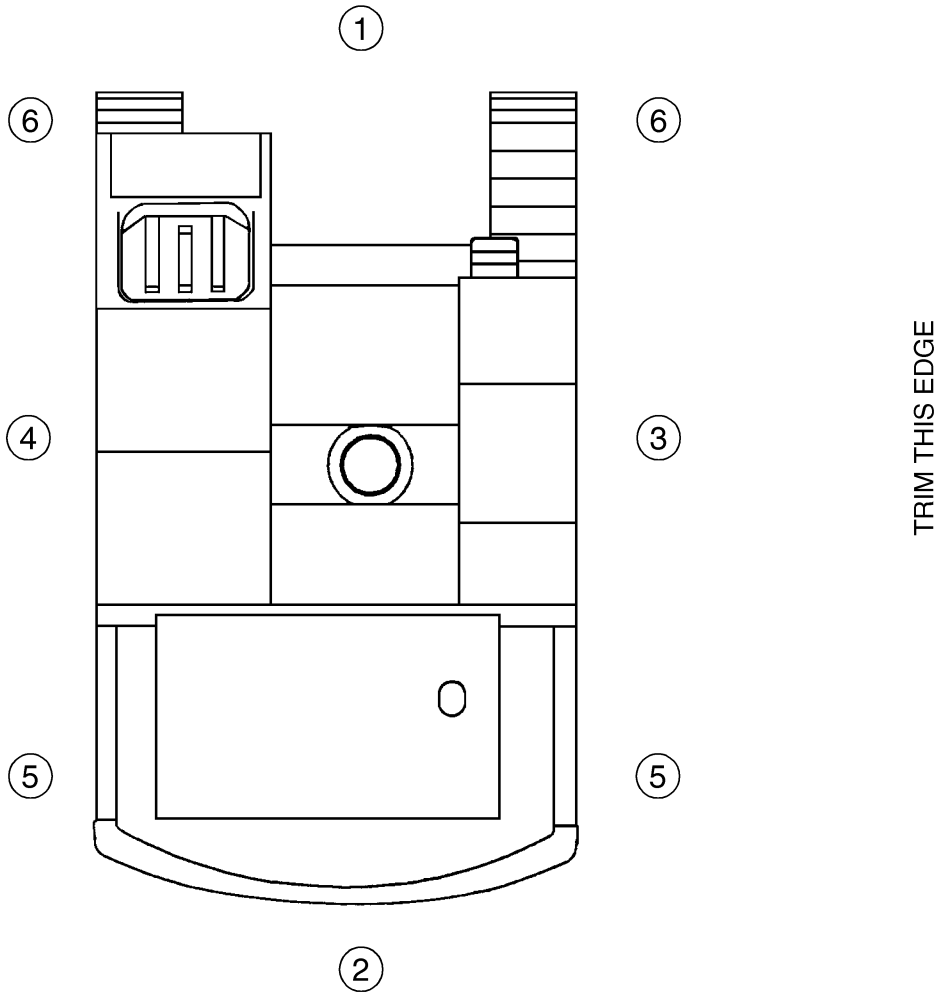
TRIM THIS EDGE



## RIGHT,LEFT,FRONT AND REAR OF THE MACHINE

The terms “Right”, “Left”, “Front” and “Rear” are used in this manual to indicate the sides as they are seen from the operator’s seat when the cab is over the idler wheels.

The illustration below shows the machine in normal TRAVEL position. In normal TRAVEL position, the cab is over the idler wheels. The travel reduction gears are at the rear of the upperstructure.



- 1. FRONT
- 2. REAR
- 3. RIGHT-HAND SIDE
- 4. LEFT-HAND SIDE
- 5. TRAVEL REDUCTION GEARS
- 6. IDLER WHEELS

CS99A820

TO THE OWNER

---

**NOTES**

TRIM THIS EDGE

TRIM THIS EDGE

LEFT PAGE

# IDENTIFICATION NUMBERS

## TYPE, SERIAL NUMBER AND YEAR OF MANUFACTURE

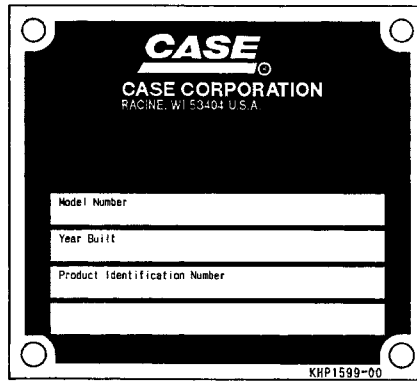
When ordering parts, obtaining information or assistance, always supply your CASE Dealer with the type and serial number of your machine or accessories.

Write the following in the spaces below: The type, serial number and year of manufacture of your machine, accessories and the serial numbers of the various hydraulic and mechanical components.

### Machine



CP98N006



BC00M110

TRIM THIS EDGE

1. (1) Type .....
2. (2) Serial number .....
3. (3) Year of build.....

### Engine

Make and type.....

Serial number.....

### Component serial numbers

Hydraulic pump .....

Swing reduction gear .....

Travel reduction gears .....

Travel control valve.....

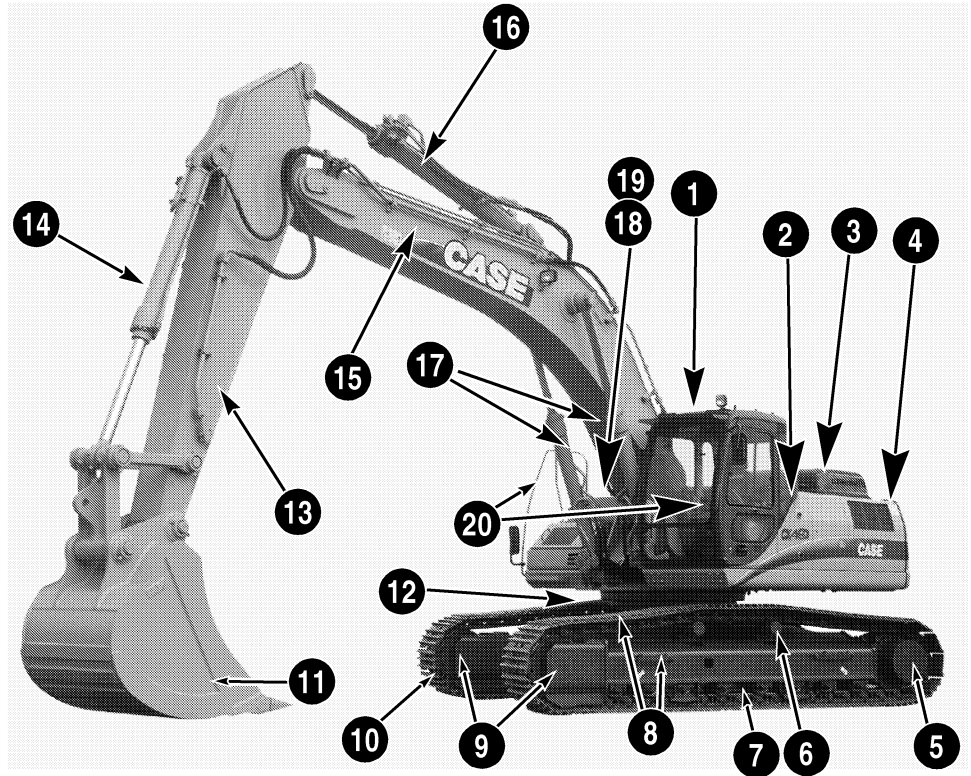
Attachment control valve .....

Swing control valve .....

TRIM THIS EDGE

## MACHINE COMPONENTS

TRIM THIS EDGE



CD00K001

### Key to main components

- |                               |                         |
|-------------------------------|-------------------------|
| 1. Cab/Operator's compartment | 12. Undercarriage       |
| 2. Upperstructure             | 13. Arm                 |
| 3. Engine compartment         | 14. Bucket cylinder     |
| 4. Counterweight              | 15. Boom                |
| 5. Travel reduction gears     | 16. Arm cylinder        |
| 6. Upper rollers              | 17. Boom cylinders      |
| 7. Lower rollers              | 18. Hydraulic reservoir |
| 8. Steps                      | 19. Fuel tank           |
| 9. Idler wheels               | 20. Access handles      |
| 10. Tracks                    |                         |
| 11. Bucket                    |                         |

TRIM THIS EDGE

LEFT PAGE

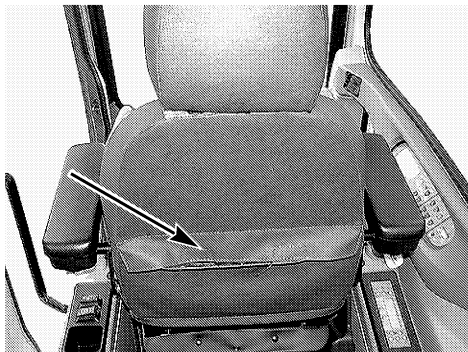
# SAFETY/DECALS/HAND SIGNALS

## SAFETY RULES

Most accidents involving machine operating and maintenance can be avoided by following basic safety rules and precautions. Read and understand all the safety messages in this manual, the safety manual and the safety signs on the machine before you operate or service the machine. See your dealer if you have any questions.

**READ THIS MANUAL COMPLETELY** and make sure you understand the controls. All equipment has a limit. Make sure you understand the speed, brakes, steering, stability and load characteristics of this machine before you start to operate.

DO NOT remove this manual or the safety manual from the machine. See your dealer for additional manuals. Also see the manual information on the inside of the rear cover of this manual.



BK99A006

OPERATOR'S MANUAL LOCATION AND STORAGE

The safety information given in this manual does not replace safety codes, insurance needs, federal, state or local laws. Make sure that your machine has the correct equipment according to these rules or laws.

Additional safety messages are used in the text of the manual to show specific safety hazards.

TRIM THIS EDGE

**IMPORTANT:** *Safety messages in this section point out situations which can happen during the normal operation and maintenance of your machine. These safety messages also give possible ways of dealing with these conditions.*



**WARNING:** *This safety alert symbol indicates important safety messages in this manual. When you see this symbol, carefully read the message that follows and be alert to the possibility of death or serious injury.*

M171C

## ⚠️ UTILITY SAFETY ⚠️

Safety precaution **MUST** be followed when working near buried Utility Lines.

During operation it is likely that you will be working around or near buried utility lines which may include, but are not limited to:

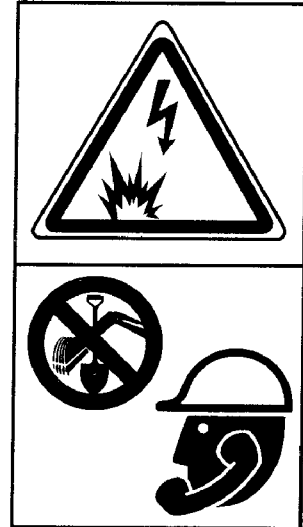
- Electrical Power Line
- Gas Line
- Water Line
- Communication Line - Telephone or Cable Television

**Before beginning any trenching, or other construction work it is your responsibility to be aware of all such utility lines buried in the area of your project and to avoid them.**

ALWAYS have all local utility companies mark the location of their lines.

In U.S.A. and Canada call one of many "One Call System Director" services. If you do not know the local number, call the national number (U.S.A. and Canada only): 1-888-258-0808.

**Check with local authorities for laws, regulations and/or strict penalties requiring you to locate and avoid existing utilities.**



RH99G001  
**CALL ALL LOCAL UTILITY COMPANIES  
BEFORE YOU DO ANY TRENCHING**

Know the utility color code (U.S.A. and Canada):

- Electric ..... Red
- Gas, Oil, or Petroleum ..... Yellow
- Communication, Telephone, Television ..... Orange
- Water ..... Blue
- Sewer ..... Green/Brown
- Proposed Excavation ..... White
- Surveying ..... Pink
- Reclaimed Water and Slurry ..... Purple

After locating the utility lines, carefully dig a hole by hand and/or automatic vacuum equipment to the utility line to verify the location and depth of the line.




TRIM THIS EDGE

## ! PERSONAL SAFETY !

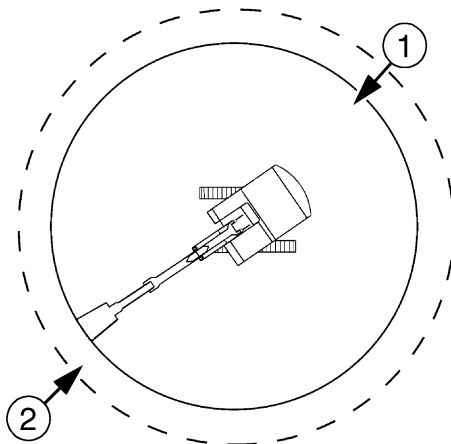
Safety Decals on this machine use the words **Danger, Warning or Caution**, which are defined as follows:

- **DANGER:** Indicates an immediate hazardous situation which, if not avoided, will result in death or serious injury. The color associated with Danger is RED.
- **WARNING:** Indicates a potentially hazardous situation which, if not avoided will result in serious injury. The color associated with Warning is ORANGE.
- **CAUTION:** Indicates a potentially hazardous situation which, if not avoided, may result in minor or moderate injury. It may also be used to alert against unsafe practices. The color associated with Caution is YELLOW.

ISO two panel pictorial symbol decals are defined as follows:

- The first panel indicates the nature of the hazard.
- The second panel indicates the appropriate avoidance of the hazard.
- Background color is YELLOW.
- Prohibition symbols such as   and  if used are RED.

## ! SAFETY AREA !



1. WORKING AREA
2. SAFETY AREA

CS97M019

- The safety area is the space necessary for the machine to operate at the maximum range of the tool and a full 360° swing plus 6 feet (2 metres).

 **OPERATOR PRECAUTIONS** 

**Personnel**

- Be prepared for emergencies. Always have a first aid kit and a working fire extinguisher with you and know how to use each.
- Avoid loose fitting clothing, loose or uncovered long hair, jewelry and loose personal articles.
- Know and use the protective equipment that is to be worn when operating this machine. Hard hats, protective glasses, protective shoes, gloves, reflector type vests, respirators and ear protection are examples of typed of equipment that may be required.
- Certain protective equipment should be replaced and renewed upon age and wear. Old hard hats may not afford the original users intention. Faded and soiled vest are no longer as highly visible as original intent. See the manufacture's recommendation.
- Do not rush. Walk, do not run.
- Know and use the hand signals required for particular jobs and know who has the responsibility for signaling.

**General**

- It is the responsibility of the operator to read and understand the Operator's Manual and other information provided and use the correct operating procedure. Machines should be operated only by qualified operators.
- Do not operate this machine or perform maintenance work if you have not had appropriate training and read and fully understand the instructions and warnings in this manual.
- Wear the seat belt to maximize the protection capability of a ROPS (Roll Over Protective Structure) when the machine is so equipped.
- Inspect the ROPS and seat belt mounting bolts on a daily basis to ensure their integrity.
- Do not permit riders on the machine if there is no manufacturer's designated place for a rider.
- Make sure that all protective guards, canopies, doors, etc. are in place and secure.
- Remove all loose object stored in the machine. Remove all objects which do not belong in or on the machine and its equipment.

TRIM THIS EDGE



### **Mounting And Dismounting Precautions**

- Use the recommended hand holds and steps with at least three points of support when getting on and off the machine. Keep steps and platform clean. Face the access system when climbing up and down
- Do not jump off the machine.
- Do not dismount while the machine is in motion.
- Foreign material or grease on the steps and hand rails can cause an accident. Keep the steps and hand rails clean.

TRIM THIS EDGE

### Starting And Stopping Precautions

- Walk around the machine and warn all personnel who may be servicing the machine or are in the machine path prior to starting. Do not start until all personnel are clearly away from the machine. Sound the horn, if equipped, before starting.
- Walk around the machines tool, attachment, or furthestmost contact point to view operation danger area from the worksite personnel view and angle.
- Check that the parking device is applied, place the transmission in neutral or park as specified by the manufacturer, and disengage the PTO, if so equipped, before starting the machine.
- Adjust, secure and latch the seat and fasten the seat belt before starting the machine.
- Start and operate the machine only from the operator's station.
- Do not bypass the machine's neutral-start system. The neutral-start system must be repaired if it malfunctions.
- Use jumper cables only in the recommended manner. Improper use can result in battery explosion or unexpected machine motion. Ventilate the battery area before using jumper cables. Make sure that using jumper cables will not interfere or harm electronic processing or computer devices.
- Do not operate the engine in an enclosed area without adequate ventilation.
- Park the machine on level ground whenever possible and apply the parking brake. On grades, park the machine with the wheels or track securely blocked.
- Before leaving the operator's station, place the transmission in the park position as specified by the manufacturer, lower the equipment to the ground or put in the locked position, disengage the PTO, if so equipped, set the parking device and shut off the engine.
- Remove the starter key or master electrical disconnect switch, (if equipped), when leaving the machine parked or unattended.

### Operating Precautions

- Check brakes, steering and other machine control devices in accordance with the manufacturers instructions prior to starting operation. Observe all gauges or warning instruments for proper operation. Operate all controls to insure proper operation. If any malfunctions are found, remove the starter key or disconnect switch key. Place a do not operate tag on the machine until the malfunction is corrected.
- If a failure that causes loss of control such as steering, service brakes or engine occurs, stop the machine motion as quickly as possible, remove the starter key or disconnect switch key. Place a do not operate tag on the machine and keep it securely parked until the malfunction is corrected or the machine can be safely towed.

- Understand the machine limitations and keep the machine under control.
- Operate and drive the machine with care and at speed compatible with conditions. Use extra caution when operating over rough ground, on slopes, and when turning.
- Note and avoid all hazards and obstructions such as ditches, underground lines, trees, cliffs, overhead electrical wires or areas where there is danger of a slide.
- Carry loads in recommended positions for maximum stability.
- Never lift loads in excess of capacity.
- Use the recommended machine ballast and counterweighting.
- Know and understand the job site traffic flow patterns and obey signalmen, road signs and flagmen.
- Know and understand that job site conditions may change on an hourly basis. Hills of dirt, debris or obstructions may grow and change from the time you began the day. It is your responsibility to monitor the changes and keep the machine, tools and attachments, etc. a safe distance.
- Watch for bystanders and never allow anyone to be under or to reach through the machine and its equipment while operating.
- Select a gear that will prevent excessive speed when going downhill. Do not coast downhill.
- When roading a machine, know and use the signaling devices required on the machine. Provide and escort for roading where required.
- On machines with independently operated wheel brakes, lock the brake pedals together when roading to provide equalized brake application.
- Use the recommended transport devices when roading the machine.
- Use the approved drawbar and / or attachment point, (if equipped), when using the machine for towing. If a cable or chain is used, keep people away from the tow line.
- Before you operate at night, check that all lamps illuminate.
- Engine exhaust fumes can cause death. If you operate this machine in an enclosed area, make sure there is ventilation to replace the exhaust fumes with fresh air.
- If your machine has a cab make sure that all windows are clean and that the windshield wipers work correctly.
- Check all controls in a clear area and make sure the machine is operating correctly.
- Dust, fog, smoke, etc., can decrease your vision and cause an accident. Stop the machine or decrease the speed until you can see.
- Contact with high voltage power lines, underground cables, etc., can cause serious injury or death from electrocution.

TRIM THIS EDGE

SAFETY

---

TRIM THIS EDGE

- Before you drive or operate in an area with high voltage lines, cables, or a power station, tell the power or utility company what you are going to do. You **MUST HAVE THE POWER DISCONNECTED OR KEEP A SAFE WORKING DISTANCE** from the lines, cables, or power station. Keep all parts of the machine at least 4.6 m (15 feet) away from the power source. You must also know any federal, state/provincial, or local safety codes or regulations that apply to the job site.
- If a part of the machine touches high voltage power:
  1. Warn other workers **NOT TO TOUCH THE MACHINE** and to stay away from the machine.
  2. If you can break contact, reverse the operation that caused contact with the high voltage power, and move the machine away from the danger area. If you cannot break contact stay in the machine until the utility company de-energizes the line and tells you that the power is off.
- If you have extreme conditions, such as a fire, etc., and you are forced to leave the machine, do not step off the machine. Jump as far from the machine as possible with your feet together and do not touch the ground with your hands.
- Do not operate the machine if you do not feel well. This can be dangerous for you and for the people around you.
- You must make a judgment if weather, road, or earth conditions will permit safe operation on a hill, ramp, or rough ground.
- Stay away from hazardous areas such as ditches, overhangs, etc. Walk around the work area before you start and look for hazards.
- Be alert and always know the location of all workers in your area. Keep all other persons completely away from your machine. Injury or death can result if you do not follow these instructions.