

CX290B EXCAVATOR

OPERATOR'S MANUAL

Part Number: 87364351

CASE TECHNICAL MANUALS

Manuals are available from your Dealer for the operation, service, and repair of your machine. For prompt convenient service, contact your Dealer for assistance in obtaining the manuals for your machine.

Your Dealer can expedite your order for Operator's Manuals, Parts Catalogs, Service Manuals, and Maintenance records.

Always give the Machine Name, Model, and P.I.N. (Product Identification Number) or S.N. (Serial Number) of your machine so your Dealer can provide the correct manuals for your machine.

NOTE: *Case Corporation reserves the right to make improvements in design or changes in specifications at any time without incurring any obligation to install them on units previously sold.*






THIS SAFETY ALERT SYMBOL INDICATES IMPORTANT SAFETY MESSAGES IN THIS MANUAL. WHEN YOU SEE THIS SYMBOL, CAREFULLY READ THE MESSAGE THAT FOLLOWS AND BE ALERT TO THE POSSIBILITY OF DEATH OR SERIOUS INJURY

M171D

Safety Decals on this machine use the words **Danger, Warning, or Caution**, which are defined as follows:

- **DANGER:** Indicates an immediate hazardous situation that, if not avoided, will result in death or serious injury. The color associated with Danger is RED.
- **WARNING:** Indicates a potentially hazardous situation that, if not avoided, could result in death or serious injury. The color associated with Warning is ORANGE.
- **CAUTION:** Indicates a potentially hazardous situation which, if not avoided, may result in minor or moderate injury. It may also be used to alert against unsafe practices. The color associated with Caution is YELLOW.

Safety Decals on this machine are ISO two panel Pictorial, decals are defined as follows:

- The first panel indicates the nature of the hazard.
- The second panel indicates the appropriate avoidance of the hazard.
- Background color is YELLOW
- Prohibition symbols such as   and  if used, are RED.



WARNING

IMPROPER OPERATION OF THIS MACHINE CAN CAUSE DEATH OR SERIOUS INJURY. BEFORE USING THIS MACHINE, MAKE CERTAIN THAT EVERY OPERATOR:

- Is instructed in safe and proper use of the machine.
- Reads and understands the Manual(s) pertaining to the machine.
- Reads and understands ALL Safety Decals on the machine.
- Clears the area of other persons.
- Learns and practices safe use of machine controls in a safe, clear area before operating this machine on a job site.

It is your responsibility to observe pertinent laws and regulations and follow Case Corporation instructions on machine operation and maintenance.

WARNING_01_NA

CALIFORNIA

PROPOSITION 65 WARNING

Diesel engine exhaust and some of its constituents are known to the State of California to cause cancer, birth defects, and other reproductive harm.

Battery post, terminals and related accessories contain lead and lead compounds.
Wash hands after handling.

TABLE OF CONTENTS

CHAPTER 1

GENERAL INFORMATION

| | |
|------------------------------|-----|
| To The Owner | 1-1 |
| Identification Numbers | 1-4 |
| Machine Components | 1-5 |

CHAPTER 2

SAFETY AND DECALS

| | |
|---|------|
| Table of Contents | 2-1 |
| Safety Rules | 2-3 |
| Utility Safety | 2-4 |
| Personal Safety | 2-5 |
| Safety Area | 2-5 |
| Machine Operation | 2-6 |
| Starting and Stopping Precautions | 2-7 |
| Seat Belt Precautions | 2-11 |
| Safety Decals | 2-12 |

CHAPTER 3

INSTRUMENTS AND CONTROLS

| | |
|--|------|
| Table of Contents | 3-1 |
| Cab Doors | 3-3 |
| Steps and Access Handles | 3-4 |
| Operator's Compartment Controls | 3-5 |
| Function Cancellation Lever and Safety Bar | 3-11 |
| Control Switch | 3-20 |
| Anti-theft Device | 3-21 |
| Automatic Temperature Control System | 3-22 |
| Travel Control Levers and Pedals | 3-31 |
| Cab Features | 3-33 |

CHAPTER 4

OPERATING INSTRUCTIONS

| | |
|--------------------------------------|------|
| Table of Contents | 4-1 |
| Run-in Period Of A New Machine | 4-3 |
| Before Operating The Machine | 4-3 |
| Engine Operation | 4-5 |
| Basic Operation | 4-6 |
| Checking Engine | 4-8 |
| Machine Travel | 4-11 |
| Transporting The Machine | 4-22 |
| Machine Storage | 4-24 |

CHAPTER 5

LUBRICATION, FILTERS, AND FLUIDS

| | |
|---|------|
| Table of Contents | 5-1 |
| General Safety Before You Service | 5-3 |
| Fluids And Lubricants | 5-7 |
| Lubrication And Maintenance Quick Reference Chart | 5-8 |
| Engine Lubrication | 5-10 |

CHAPTER 6

MAINTENANCE AND ADJUSTMENTS

Table of Contents 6-1
Tracks 6-3
General Maintenance 6-5
Replacing A Bucket 6-9
Cab Service 6-12
Hardware Torque Inspection 6-15
Torque Charts 6-16

CHAPTER 7

ELECTRICAL

Table of Contents 7-1
Electrical System 7-3
Fuses And Relays 7-7

CHAPTER 8

SPECIFICATIONS

Table of Contents 8-1
Engine Specifications 8-3
Hydraulic System 8-4
Control Valve 8-4
Swing 8-4
Travel 8-4
Weights 8-4
Safety Devices 8-5
Operator's Compartment 8-5
Cab 8-5
Monobloc Boom 8-5
Arms 8-5
Machine Dimensions 8-6

CHAPTER 9

INDEX

Chapter 1

GENERAL INFORMATION

TO THE OWNER



CD01K001

Figure 1

Your machine has been designed and built to the highest standards of quality. It conforms to all current safety regulations. However, the risk of accidents can never be completely excluded. That is why it is essential to observe elementary safety rules and precautions.

Read this manual carefully, paying particular attention to the instructions concerning safety, operation and maintenance so as to avoid the risk of injury while operating or servicing the machine.

Use this manual as a guide. Your machine will remain a reliable working tool provided it is kept in good working condition and serviced properly.

The standard attachments and equipment available for use with this machine are intended for general earth moving purposes, material handling, etc. If the machine is to be used for handling loads, (tubing, concrete pipe sections, shoring material, etc.), make sure the machine is suitably equipped for this type of work.

Do not use this machine for any application or purpose other than those described in this manual. If the machine is to be used for work involving the use of special attachments, accessories or equipment, consult your CASE Dealer in order to make sure that any adaptations or modifications made are in keeping with the machine's technical specifications and with prevailing safety requirements. Strictly adhere to all legal requirements.

Any modification or adaptation which is not approved by the manufacturer may invalidate the machine's initial conformity with safety requirements and warranty.

The machine must undergo regular inspections, the frequency of which varies according to the type of use. Consult your CASE Dealer.

Before permitting a new operator on this machine, make sure:

- That the operator has received the necessary training on how to operate the machine correctly and safely.
- That the operator has read and understands the instructions given in this manual.

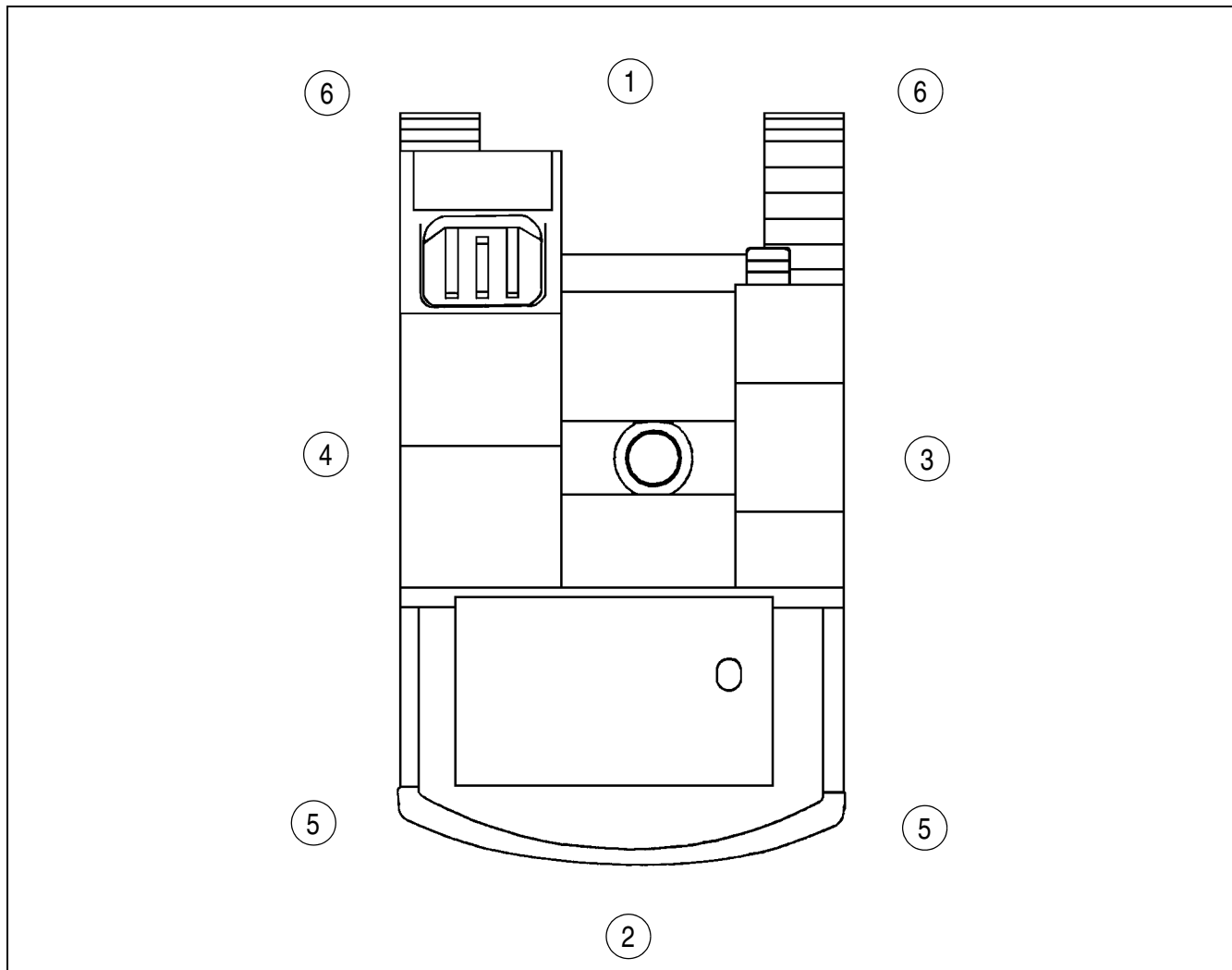
Always keep this manual in the operator's compartment (in the seat back, behind the operator's seat). Make sure it is always complete and in good condition. If you wish to obtain additional manuals, or manuals in another language, consult your CASE Dealer.

Your CASE Dealer is at your disposal for any further information. He will also provide any after-sales service you may require and genuine CASE replacement parts, your guarantee of quality and match.

RIGHT, LEFT, FRONT, AND REAR OF THE MACHINE

The terms “Right”, “Left”, “Front” and “Rear” are used in this manual to indicate the sides as they are seen from the operator’s seat when the cab is over the idler.

The illustration below shows the machine in normal TRAVEL position. In normal TRAVEL position, the cab is over the idler. The travel reduction gears are at the rear of the upper structure.



CS99A820

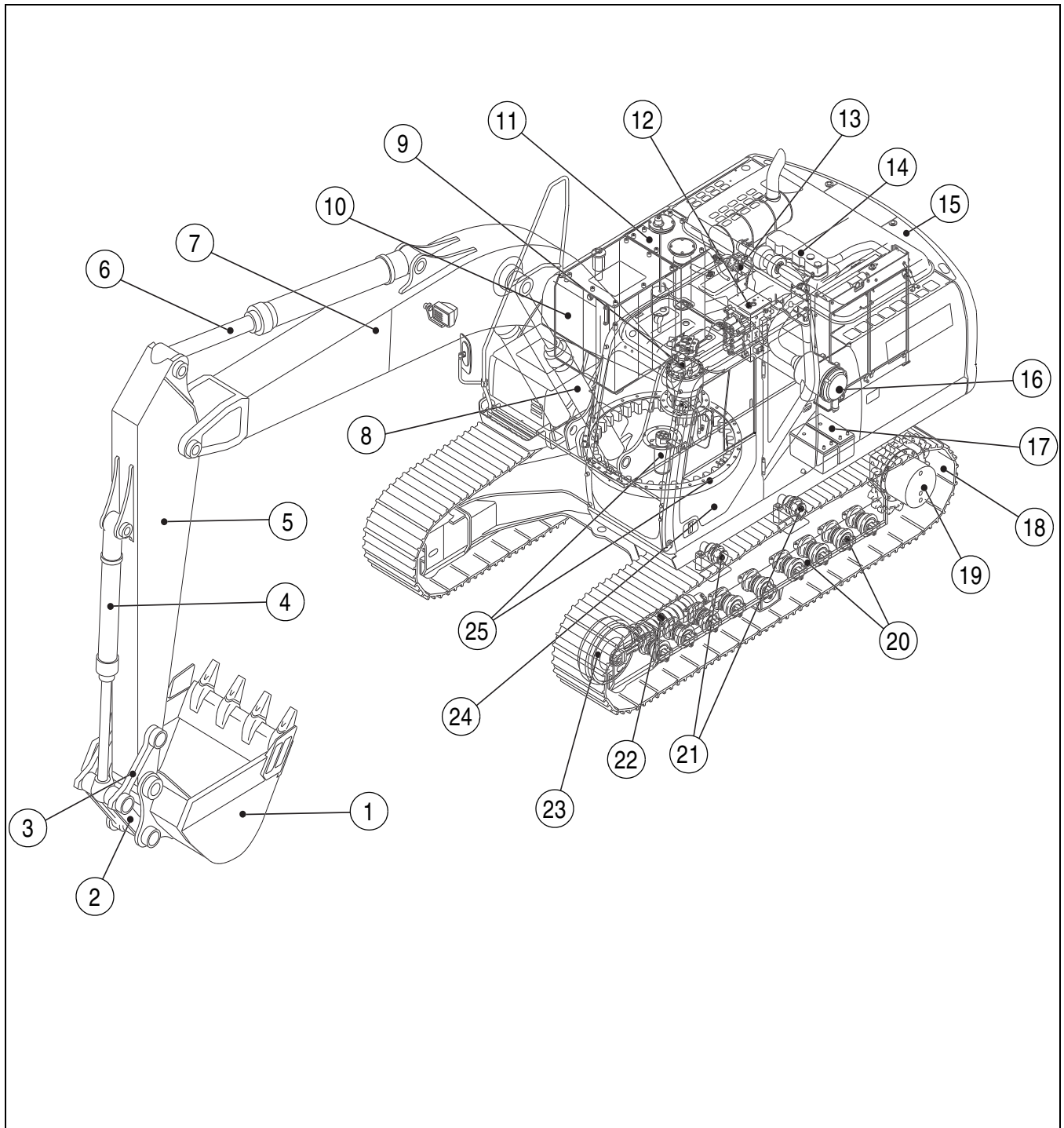
Figure 2

1. FRONT
2. REAR

3. RIGHT-HAND SIDE
4. LEFT-HAND SIDE

5. TRAVEL REDUCTION GEARS
6. IDLER

MACHINE COMPONENTS



CT06M001

Figure 5

- | | | |
|--------------------|-------------------------|----------------------------|
| 1. Bucket | 9. Swing reduction gear | 17. Batteries |
| 2. Connecting rod | 10. Fuel tank | 18. Track |
| 3. Yoke | 11. Hydraulic reservoir | 19. Travel reduction gears |
| 4. Bucket cylinder | 12. Control valve | 20. Lower roller |
| 5. Arm | 13. Hydraulic pump | 21. Upper roller |
| 6. Arm cylinder | 14. Engine compartment | 22. Track tension unit |
| 7. Boom | 15. Counterweight | 23. Idler wheels |
| 8. Boom cylinder | 16. Air filter | 24. Cab |
| | | 25. Swing components |

NOTES