



OPERATORS MANUAL

CRAWLER DOZER

650K
750K
850K
SERIES 3



READ, UNDERSTAND, AND FOLLOW ALL SAFETY PRECAUTIONS AND INSTRUCTIONS FOUND IN THIS MANUAL BEFORE OPERATING THE MACHINE.

Bur • Issued 12-2006

Printed in U.S.A. • Book/Form Number 87592079 NA

Copyright © 2006. CNH America, LLC. All Rights Reserved.

CNH America, LLC reserves the right to make improvements in design or changes in specifications at any time without incurring any obligation to install them on units previously sold.

All data given in this publication is subject to production variations. Dimensions and weights are only approximate. Illustrations do not necessarily show products in standard condition. For exact information about any particular product, please consult your Dealer

REVISION HISTORY			
Issue	Issue Date	Applicable Machines	Remarks
First Edition	12-2006	650K, 750K, 850K Series 3	87592079 NA



THIS SAFETY ALERT SYMBOL INDICATES IMPORTANT SAFETY MESSAGES IN THIS MANUAL. WHEN YOU SEE THIS SYMBOL, CAREFULLY READ THE MESSAGE THAT FOLLOWS AND BE ALERT TO THE POSSIBILITY OF DEATH OR SERIOUS INJURY.

Safety Decals on this machine use the words Danger, Warning, or Caution, which are defined as follows:

DANGER: Indicates an immediate hazardous situation that, if not avoided, will result in death or serious injury.

The color associated with Danger is RED.

WARNING: Indicates a potentially hazardous situation that, if not avoided, could result in death or serious injury.

The color associated with Warning is ORANGE.

CAUTION: Indicates a potentially hazardous situation which, if not avoided, may result in minor or moderate injury. It may also be used to alert against unsafe practices. The color associated with Caution is YELLOW.

If Safety Decals on this machine are ISO two panel Pictorial, decals are defined as follows:

The first panel indicates the nature of the hazard.

The second panel indicates the appropriate avoidance of the hazard.

Background color is YELLOW

Prohibition symbols such as  and  if used, are RED.

WARNING

IMPROPER OPERATION OF THIS MACHINE CAN CAUSE DEATH OR SERIOUS INJURY. BEFORE USING THIS MACHINE, MAKE CERTAIN THAT EVERY OPERATOR:

Is instructed in safe and proper use of the machine.

Reads and understands the Manual(s) pertaining to the machine.

Reads and understands ALL Safety Decals on the machine.

Clears the area of other persons.

Learns and practices safe use of machine controls in a safe, clear area before operating this machine on a job site.

It is your responsibility to observe pertinent laws and regulations and follow instructions on machine operation and maintenance.

CALIFORNIA PROPOSITION 65 WARNING

Diesel engine exhaust and some of its constituents are known to the State of California to cause cancer, birth defects, and other reproductive harm.

Battery post, terminals and related accessories contain lead and lead compounds. Wash hands after handling.

TECHNICAL MANUALS

Manuals are available from your Dealer for the operation, service, and repair of your machine.

Contact your Dealer for assistance in obtaining the manuals for your machine. Your Dealer can expedite your order for Operator's Manuals, Parts Catalogs, Service Manuals, and maintenance records.

Always give the Machine Name, Model, and P. I. N. (Product Identification Number) or S. N. (Serial Number) of your machine so your Dealer can provide the correct manuals for your machine.

TABLE OF CONTENTS

CHAPTER 1

GENERAL INFORMATION	
TO THE OWNER	1-1
RIGHT, LEFT, FRONT, AND REAR OF THE MACHINE	1-2
IDENTIFICATION NUMBERS	1-3
MACHINE COMPONENTS	1-5

CHAPTER 2

SAFETY AND DECALS	
TABLE OF CONTENTS	2-1
SAFETY RULES	2-3
BEFORE OPERATION	2-3
PERSONAL SAFETY	2-4
UTILITY SAFETY	2-4
MACHINE OPERATION	2-5
PARKING THE MACHINE	2-6
FIRE EXTINGUISHER	2-6
BURN PREVENTION	2-6
HAZARDOUS CHEMICALS	2-6
FIRE OR EXPLOSION PREVENTION	2-7
MAINTENANCE	2-8
DUCTILE IRON	2-8
SAFETY DECALS	2-9

CHAPTER 3

INSTRUMENTS AND CONTROLS	
TABLE OF CONTENTS	3-1

CHAPTER 4

OPERATING INSTRUCTIONS	
TABLE OF CONTENTS	4-1
RUN-IN PERIOD OF A NEW MACHINE	4-3
ENGINE OPERATION	4-4
CRAWLER OPERATION	4-6
MOVING A DISABLED CRAWLER	4-17
TRANSPORTING THE MACHINE	4-20
OPERATING IN HOT WEATHER	4-22
OPERATING IN COLD WEATHER	4-22
BOOSTER BATTERY CONNECTION TO MACHINE BATTERY	4-23
TILTING THE CAB	4-24
DOZER OPERATION	4-27
TRACK SYSTEMS	4-28
FACTORS CONTROLLING UNDERCARRIAGE WEAR	4-30

CHAPTER 5

LUBRICATION, FILTERS, AND FLUIDS	
TABLE OF CONTENTS	5-1
GENERAL SAFETY BEFORE YOU SERVICE	5-3
SYSTEMGARD LUBRICATION ANALYSIS PROGRAM	5-4
PLASTIC AND RESIN PARTS	5-4
ENGINE HOURMETER	5-4
FLUIDS AND LUBRICANTS	5-5
LUBRICATION AND MAINTENANCE CHART	5-6
GREASE FITTINGS	5-7
ACCESS DOORS	5-10

ENGINE LUBRICATION	5-11
ENGINE SERVICE	5-12
AIR FILTER SYSTEM	5-14
ENGINE COOLING SYSTEM	5-16
DIESEL FUEL SYSTEM	5-18
HYDRAULIC SYSTEM	5-21
TRANSMISSION	5-23
FINAL DRIVES	5-25

CHAPTER 6

MAINTENANCE AND ADJUSTMENTS

TABLE OF CONTENTS	6-1
TRACKS	6-3
REVERSIBLE FAN POSITIONS (IF EQUIPPED)	6-6
ROLL-OVER PROTECTIVE STRUCTURE	6-7
MACHINE CLEANING	6-8
ADJUSTING THE RIPPER SHANKS	6-8
DOZER BLADE PITCH ADJUSTMENT	6-9
FIRE EXTINGUISHER MOUNTING (IF EQUIPPED)	6-10
FAN AND AIR CONDITIONING DRIVE BELT	6-10
MACHINE STORAGE	6-11

CHAPTER 7

ELECTRICAL

TABLE OF CONTENTS	7-1
ELECTRICAL SYSTEM	7-3
FUSES AND RELAYS	7-5
INSTRUMENT CLUSTER	7-6

CHAPTER 8

SPECIFICATIONS

TABLE OF CONTENTS	8-1
ENGINE SPECIFICATIONS	8-3
HYDRAULIC SYSTEM	8-3
TRAVEL SPEEDS	8-3
TRACK SYSTEM	8-4
TRANSPORT LENGTH AND WIDTH WITH BLADE FULLY ANGLED 25 DEGREES	8-5
OPERATING DATA AND DIMENSIONS	8-6
OPERATING DATA AND DIMENSIONS - RIPPER	8-8
WEIGHTS	8-8

CHAPTER 9

INDEX

Chapter 1

GENERAL INFORMATION

TO THE OWNER



BD04N036

Figure 1

K SERIES 3 CRAWLER

This manual contains important information about the safe operation, adjustment and maintenance of your Crawler. Refer to the Detail Index at the end of this manual for locating specific items about your machine. The Crawler conforms to current safety regulations.

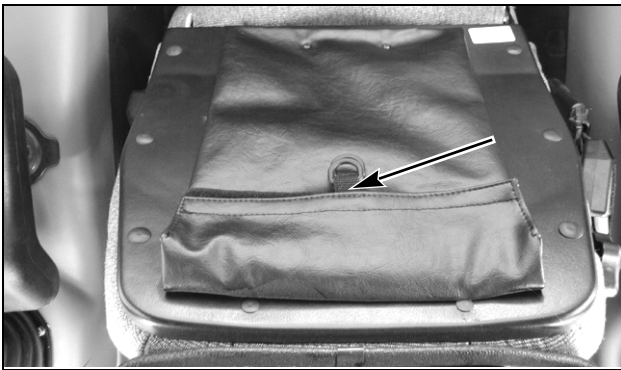
Use this manual as a guide. Your Crawler will remain a reliable working tool as long as it is kept in good working condition and serviced properly.

Do Not operate or permit anyone to operate or service this machine until you or the other persons have read and understand the safety, operation and maintenance instructions in this manual. Use only trained operators who have demonstrated the ability to operate and service this machine correctly and safely.

This Crawler, with standard equipment and authorized attachments, is intended to be used for above ground material handling.

Do Not use this machine for any application or purpose other than those described in this manual. Consult an authorized dealer on changes, additions or modifications that can be required for this machine to comply with various country regulations and safety requirements. Unauthorized modifications will cause serious injury or death. Anyone making such unauthorized modifications is responsible for the consequences.

This Operators Manual is to be stored in the manual compartment equipped on this machine, Make sure this manual is complete and in good condition. Contact your dealer to obtain additional manuals. Contact your dealer for any further information or assistance about your machine. Your dealer has approved service parts. Your dealer has technicians with special training that know the best methods of repair and maintenance for your Crawler.

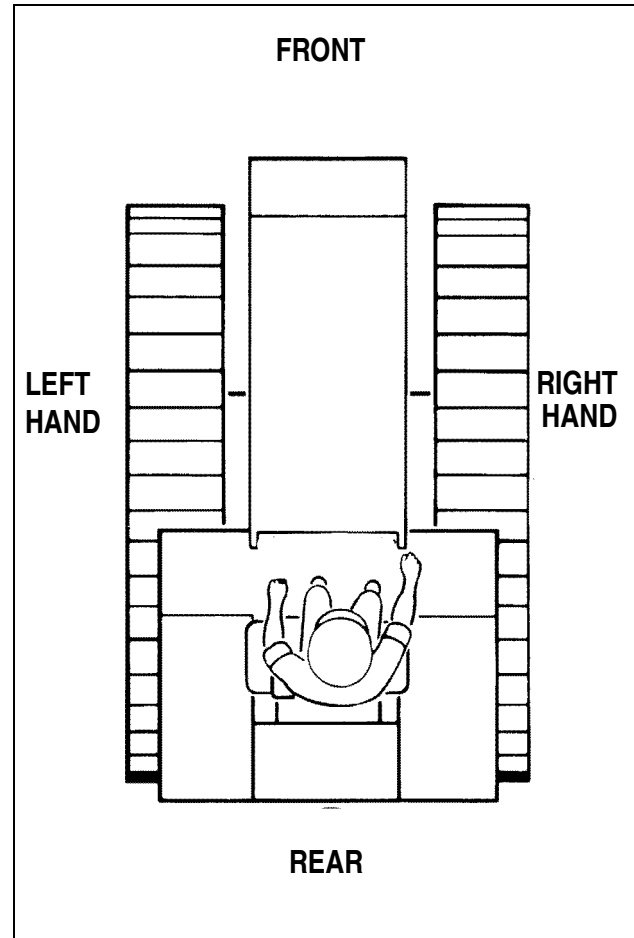


A25808

Figure 2

OPERATOR'S MANUAL POUCH ATTACHED TO SEAT BACK

RIGHT, LEFT, FRONT, AND REAR OF THE MACHINE



B830800J

Figure 3

BASIC MACHINE

The terms Left-hand, Right-hand, Front, and Rear are used in this manual to indicate the sides as they are seen from the operator's seat.

IDENTIFICATION NUMBERS

Write your machine model number, Product Identification Number (P.I.N.) and serial numbers on the lines provided below. If needed, give these numbers to your dealer when you need parts or information for your machine.

Make a record of the numbers. Keep the record and your Manufacturer's Statement of Origin in a safe place. If the machine is stolen, report the numbers to your local law enforcement agency.

Machine	
➤ _____ Machine Model and Type	
➤ _____ Product Identification Number: P.I.N.	
➤ _____ Year of Build	
Component Serial Numbers	
➤ _____ Engine serial number	
➤ _____ Transmission and serial number	
➤ _____ ROPS cab or canopy serial number	
➤ _____ Dozer blade serial number	
➤ _____	



BD02J092 Figure 5

CAB PLATE IS LOCATED ON THE RIGHT-HAND SIDE REAR POST

ENGINE

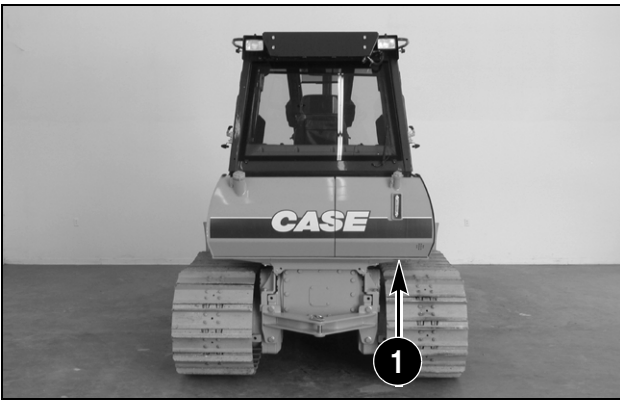
ENGINE PLATE IS LOCATED ON THE LEFT REAR SIDE OF THE ENGINE (4 AND 6 CYLINDER)



BD04N009 Figure 4

PRODUCT IDENTIFICATION NUMBER (P.I.N.)

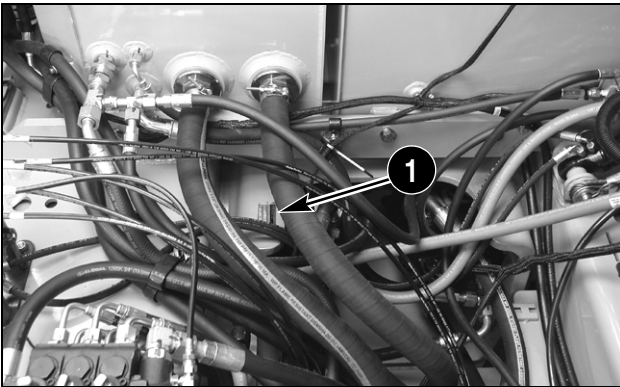
ROPS CANOPY IS LOCATED ON THE LEFT-HAND UPPER SIDE



BD02H141

Figure 6

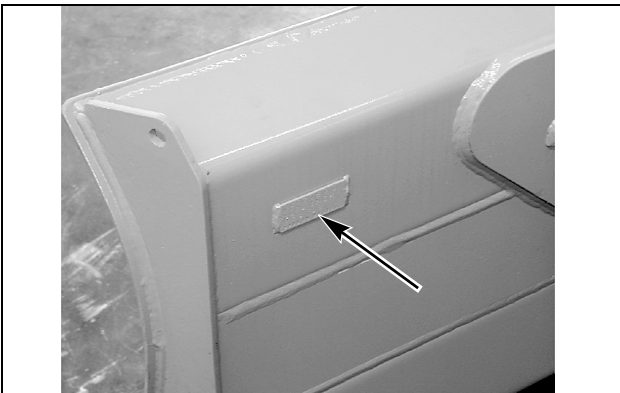
TRANSMISSION



BD02J108

Figure 7

1. ON THE HOUSING UNDER THE CAB

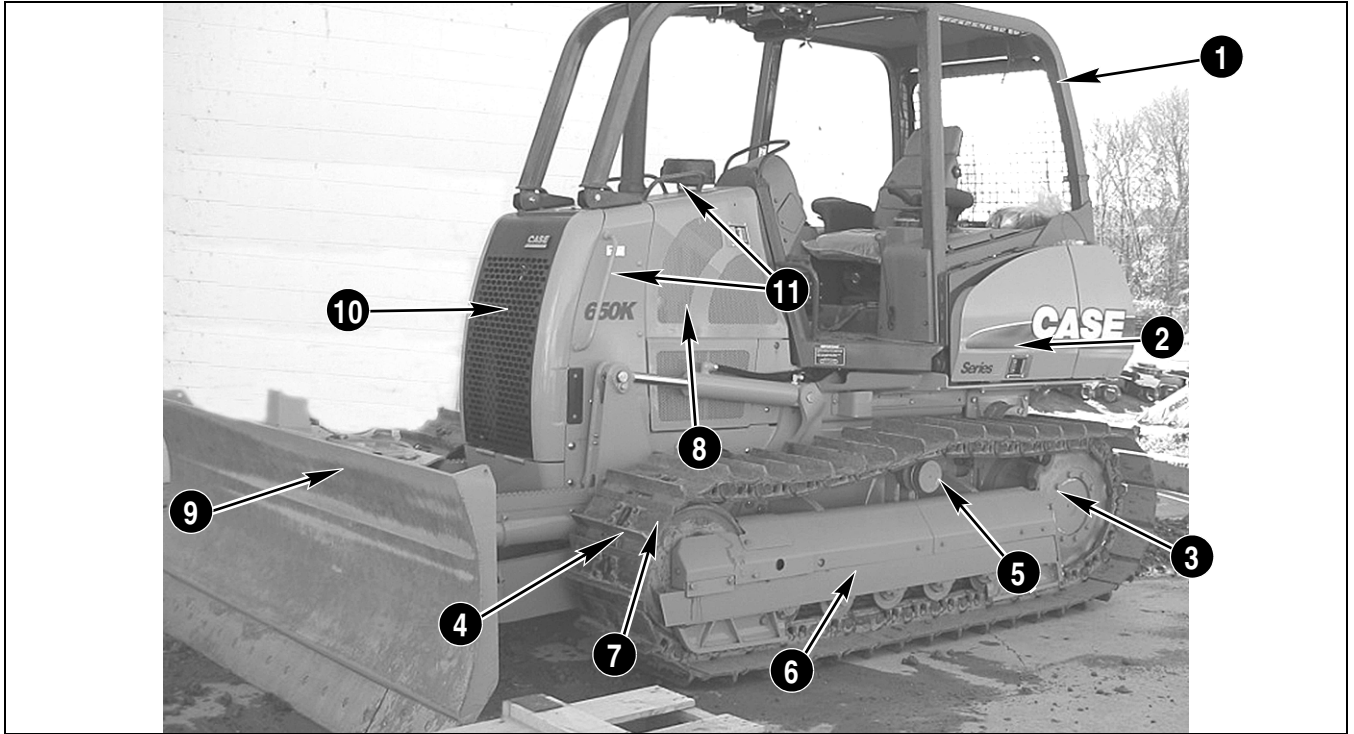


BD99J147

Figure 8

DOZER BLADE

MACHINE COMPONENTS



BD04N003

Figure 9

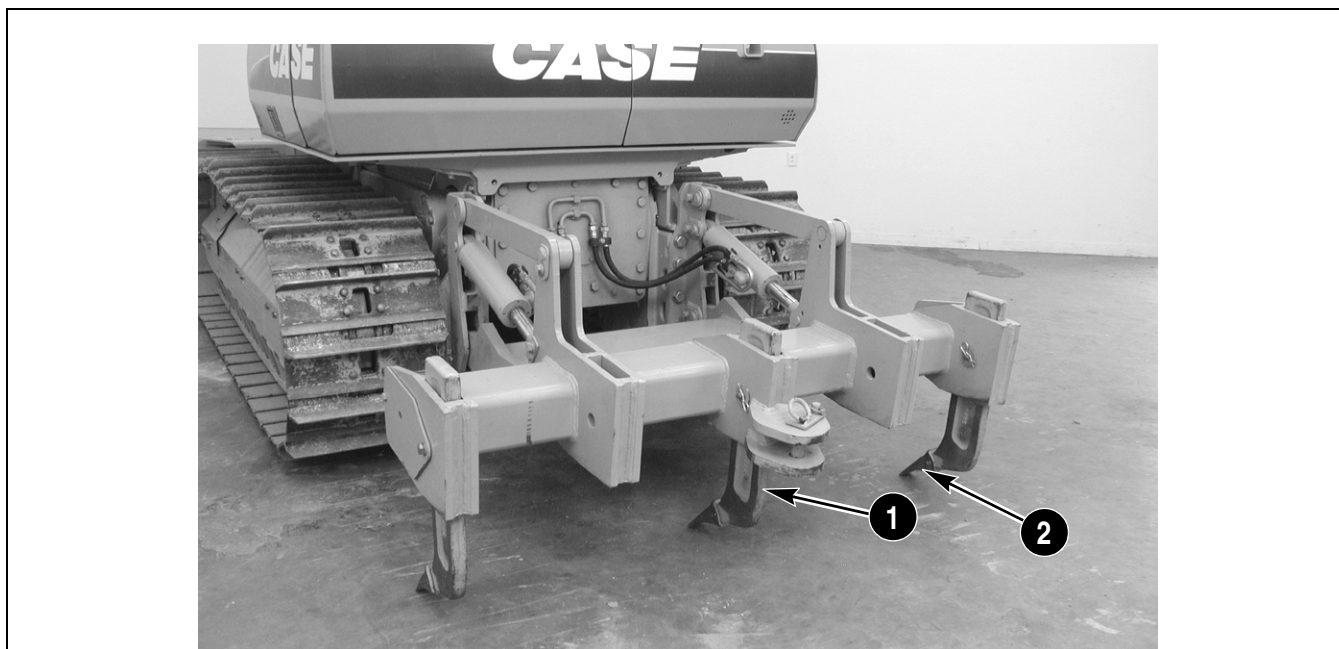
- | | | |
|-------------------------------|---------------------------------|--------------------------|
| 1. ROPS | 5. CARRIER ROLLER | 9. BLADE |
| 2. LEFT-HAND REAR ACCESS DOOR | 6. TRACK ROLLER | 10. RADIATOR DOOR |
| 3. SPROCKET | 7. IDLER | 11. HAND RAILS & HANDLES |
| 4. TRACK | 8. LEFT-HAND ENGINE ACCESS DOOR | |



BD04N033

Figure 10

- | | |
|---------------------------|----------------------------------|
| 1. RIGHT-HAND ACCESS DOOR | 4. BLADE PITCH ADJUSTMENT |
| 2. STEPS | 5. RIGHT-HAND ENGINE ACCESS DOOR |
| 3. HAND RAILS | |



BD02J032

Figure 11

RIPPER

1. RIPPER SHANK 2. TOOTH



BD02M132

Figure 12

DRAWBAR



BD02M171

Figure 13

HITCH