

TABLE OF CONTENTS

TO THE OWNER	1
REGULATIONS	2
AFTER DELIVERY CHECK	2
RIGHT, LEFT, FRONT AND REAR SIDES OF THE MACHINE	3
IDENTIFICATION NUMBERS	4
MACHINE COMPONENTS	6
MACHINE COMPONENTS	7
SAFETY/DECALS/HAND SIGNALS	9
SAFETY RULES	9
UTILITY SAFETY	10
BEFORE OPERATION	11
MACHINE OPERATION	12
PARKING THE MACHINE	13
FIRE EXTINGUISHER	13
BURN PREVENTION	14
HAZARDOUS CHEMICALS	14
FIRE OR EXPLOSION PREVENTION	15
MAINTENANCE	16
DUCTILE IRON	16
INFORMATION DECALS	17
SAFETY DECALS	18
HAND SIGNALS	24
INSTRUMENTS/CONTROLS	27
INSTRUMENT PANEL	27, 28, 29, 30, 31, 32, 33, 34
CONTROL LEVERS	35, 36, 37
OPTIONAL DIRECTION CONTROL LEVER	38
BACK-UP ALARM	38
FOOT THROTTLE, STEERING AND BRAKE PEDAL	39
DECELERATOR	40
DOZER BLADE CONTROL LEVER	41
DOZER BLADE CONTROL LEVER	42
CONTROL HANDLE POSITIONS	43
RIPPER CONTROL LEVER	44
CAB CONTROLS	45
BATTERY DISCONNECT SWITCH	48
OPERATORS SEAT	49
OPERATORS SEAT BELT	51

TRIM THIS EDGE

TABLE OF CONTENTS

TRIM THIS EDGE

OPERATING INSTRUCTIONS	53
RUN-IN PERIOD OF A NEW MACHINE	53
ENGINE OPERATION	54
CRAWLER OPERATION	57
TOWING A DISABLED CRAWLER	62
TRANSPORTING THE MACHINE	64
OPERATING IN HOT WEATHER	65
OPERATING IN COLD WEATHER	65
DOZER OPERATION	70
RIPPER OPERATING TIPS	76
TRACK SYSTEMS	77
VANDAL LOCKUP	92
BLADE LIFT EYE	92
LUBRICATON/FILTERS/FLUIDS	93
GENERAL SAFETY BEFORE YOU SERVICE	93
SYSTEMGARD LUBRICATION ANALYSIS PROGRAM	94
ENGINE HOURMETER	95
Fluids and Lubricants	96
LUBRICATION/MAINTENANCE CHART	97
LUBRICATION/MAINTENANCE CHART	98
GREASE FITTINGS	99
ACCESS DOORS	101
ENGINE LUBRICATION	102
ENGINE SERVICE	103
AIR FILTER SYSTEM	106
ENGINE COOLING SYSTEM	110
DIESEL FUEL SYSTEM	113
HYDRAULIC SYSTEM	118
TRANSMISSION	121
FINAL DRIVES	125
MAINTENANCE/ADJUSTMENTS	127
ETHER STARTING FLUID	127
TRANSMISSION CONTROL LEVER ADJUSTMENT	128
REVERSIBLE FAN POSITIONS (If Equipped)	129
AIR CONDITIONER DRIVE BELT	130
ROLL-OVER PROTECTIVE STRUCTURE	131
BRAKE WEAR CHECK	134
MACHINE CLEANING	134

TABLE OF CONTENTS

ELECTRICAL SYSTEM **135**
BATTERY SERVICE 135
WORK LAMPS 136
ALTERNATOR WARNING LAMP 137
FUSES 138
ACCESSORY OUTLET 138
BATTERY DISCONNECT SWITCH 139

STORAGE **141**
MACHINE STORAGE 141
REMOVAL FROM STORAGE 142

SPECIFICATIONS **143**
ENGINE SPECIFICATIONS 143
TRAVEL SPEEDS 144
HYDRAULIC SYSTEM 144
TRACK SYSTEM 145
OPERATING DATA AND DIMENSIONS - LONG TRACK (LT) AND
RUBBER TRACK CRAWLERS 146
OPERATING DATA AND DIMENSIONS - WIDE TRACK (WT) OR
LOW GROUND PRESSURE (LGP) CRAWLERS 148
OPERATING DATA AND DIMENSIONS - RIPPER 149
WEIGHTS 150
AFTER DELIVERY CHECK 161
AFTER DELIVERY CHECK 163

TRIM THIS EDGE

TABLE OF CONTENTS

NOTES

TRIM THIS EDGE

TO THE OWNER



BD99033

TRIM THIS EDGE

This manual contains important information about the safe operation, adjustment and maintenance of your Case Crawler. Refer to the Detail Index at the end of this manual for locating specific items about your machine. The Crawler conforms to current safety regulations.

Use this manual as a guide. Your Crawler will remain a reliable working tool as long as it is kept in good working condition and serviced properly.

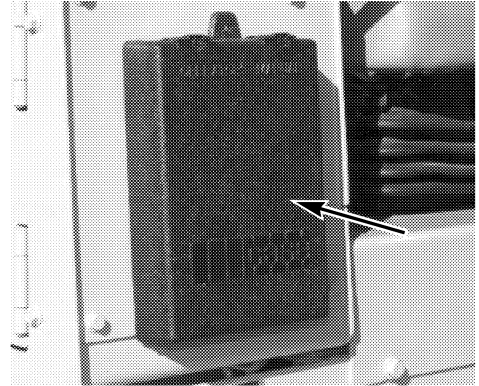
Do Not operate or permit anyone to operate or service this machine until you or the other persons have read and understand the safety, operation and maintenance instructions in this manual. Use only trained operators who have demonstrated the ability to operate and service this machine correctly and safely.

This Crawler, with standard equipment and authorized attachments, is intended to be used for above ground material handling. This machine is not intended to be used for towing other equipment or transporting loads at high speeds.

Do Not use this machine for any application or purpose other than those described in this manual. Consult an authorized dealer of the Case Corporation on changes, additions or modifications that can be required for this machine to comply with various country regulations and safety requirements. Unauthorized modifications will cause serious injury or death. Anyone making such unauthorized modifications is responsible for the consequences.

TO THE OWNER

This Operators Manual is to be stored in the manual compartment equipped on this machine. Make sure this manual is complete and in good condition. Contact your dealer to obtain additional manuals. Contact your dealer for any further information or assistance about your machine. Your dealer has Case Corporation approved service parts. Your dealer has technicians with special training that know the best methods of repair and maintenance for your Crawler.



A25808

NOTE: *The operators manual storage box shown is on a ROPS machine, the operators manual storage box on a cab machine is located on the left side of the operators seat.*

REGULATIONS

Local, state and national laws may regulate the disposal of various service fluids used in this equipment, such as but not limited to oils, hydraulic, battery and transmission fluids. You should be aware of and comply with any pertinent regulations in order to insure safe and proper handling and disposal of any regulated fluids.

AFTER DELIVERY CHECK

Two copies of the After Delivery Check are in the back of this manual. One copy is for you and one copy is for the dealer. Make sure that your dealer does the After Delivery Check after the first 20 hours of machine operation.

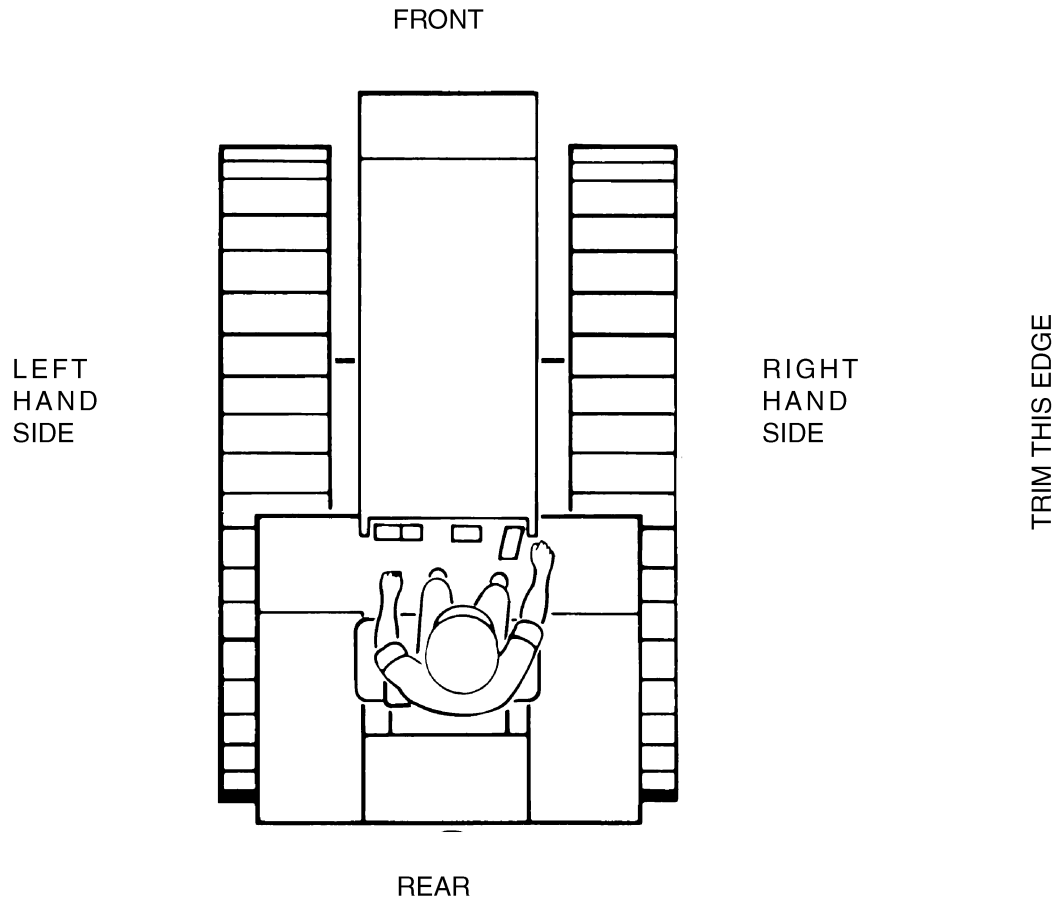
NOTE: *Your cost for this check will be for filters, oil, or other accessories. If the dealer comes to your machine, there can also be a cost for the time and distance.*

TRIM THIS EDGE

RIGHT, LEFT, FRONT AND REAR SIDES OF THE MACHINE

Right-hand and left-hand, when used in this manual, indicate the right and left sides of the machine as seen from the operators seat.

Basic Machine, Dozer and Ripper



B830800J

TO THE OWNER

IDENTIFICATION NUMBERS

Write your machine model number, Product Identification Number (P.I.N.) and serial numbers on the lines provided below. If needed, give these numbers to your dealer when you need parts or information for your machine.

Make a record of the numbers. Keep the record and your Manufacturer's Statement of Origin in a safe place. If the machine is stolen, report the numbers to your local law enforcement agency.

MACHINE MODEL NUMBER

PRODUCT IDENTIFICATION NUMBER

ENGINE SERIAL NUMBER

TRANSMISSION SERIAL NUMBER

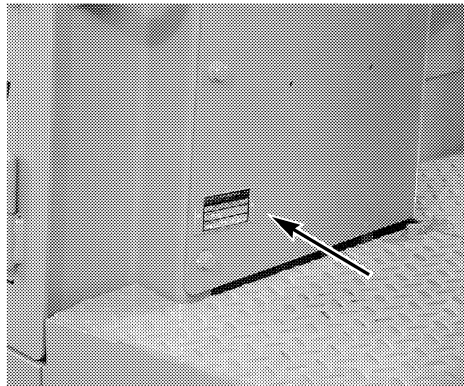
TORQUE CONVERTER SERIAL NUMBER

ROPS CANOPY SERIAL NUMBER

OTHER

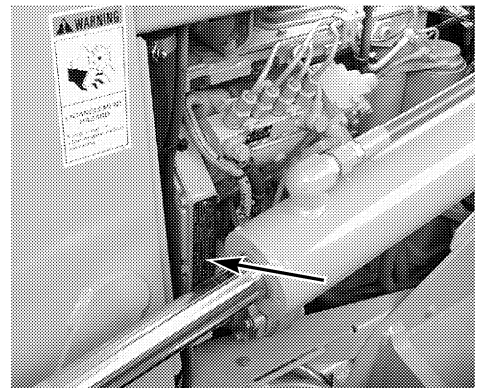
TRIM THIS EDGE

Product Identification Number (P.I.N.)



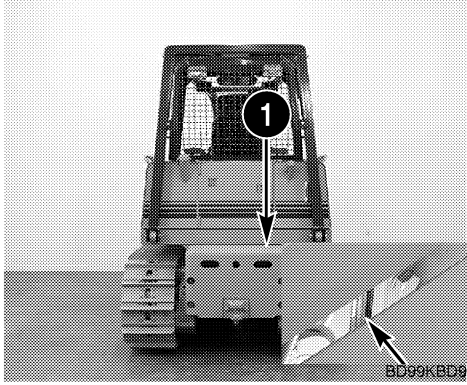
BD99K059

Engine



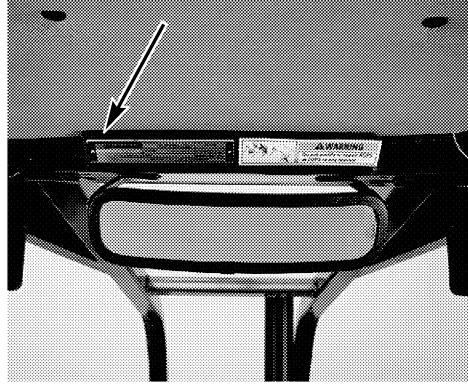
BD99K033

Transmission



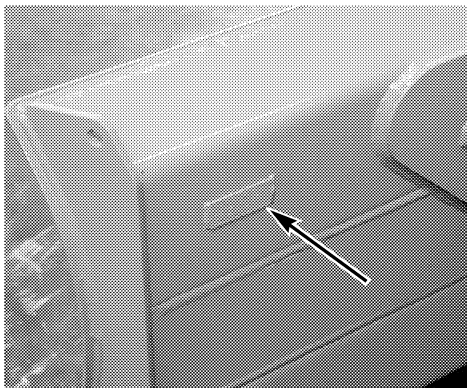
1. ON THE HOUSING BEHIND THE COUNTERWEIGHT

ROPS Canopy



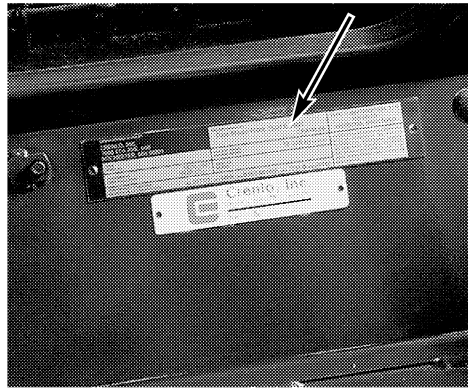
BD99N087

Dozer Blade



BD99J147

ROPS Cab

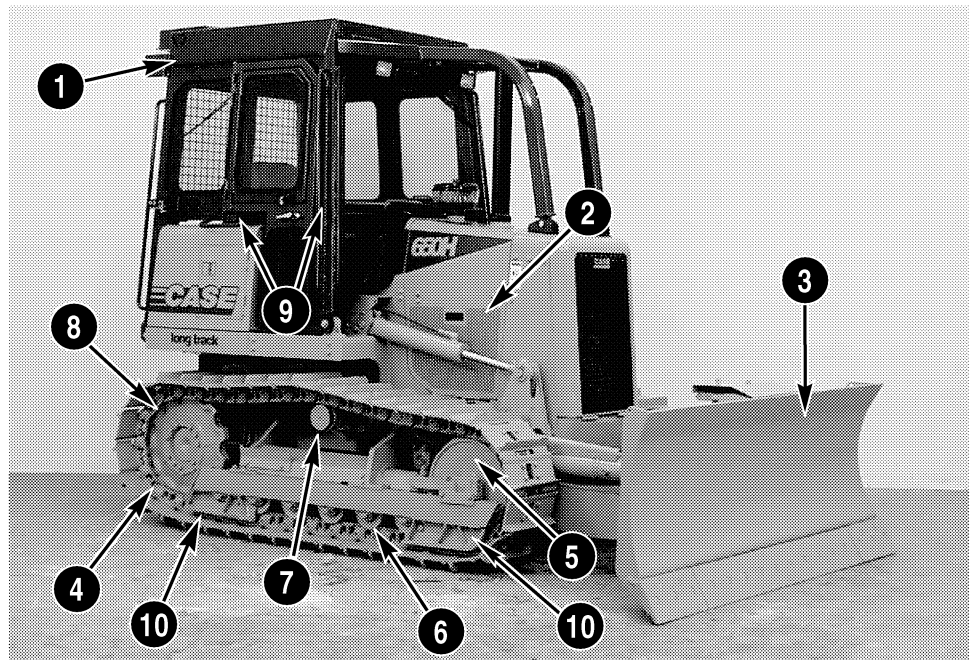


BD99N020

TRIM THIS EDGE

TO THE OWNER

MACHINE COMPONENTS



BD99N033

TRIM THIS EDGE

- | | |
|-----------------------------|-------------------|
| 1. ROPS CAB | 6. TRACK ROLLER |
| 2. RIGHT ENGINE COMPARTMENT | 7. CARRIER ROLLER |
| 3. BLADE | 8. SPROCKET |
| 4. TRACK CHAIN | 9. HAND RAILS |
| 5. IDLER | 10. TRACK GUIDES |