



OPERATOR'S MANUAL

CRAWLER DOZER

1650L



READ, UNDERSTAND, AND FOLLOW ALL SAFETY PRECAUTIONS AND INSTRUCTIONS FOUND IN THIS MANUAL BEFORE OPERATING THE MACHINE.

Bur • Issued 01Oct07





Printed in U.S.A. • Book/Form Number 87647839 NA


Copyright © 2007. CNH America, LLC. All Rights Reserved.

CNH America, LLC reserves the right to make improvements in design or changes in specifications at any time without incurring any obligation to install them on units previously sold.

All data given in this publication is subject to production variations. Dimensions and weights are only approximate. Illustrations do not necessarily show products in standard condition. For exact information about any particular product, please consult your Dealer

This unit first became available 10-2007			
REVISION HISTORY			
Issue	Issue Date	Applicable Machines	Remarks
First Edition	01Oct07	1650L Crawler Dozer	87647839 NA

	<p>THIS SAFETY ALERT SYMBOL INDICATES IMPORTANT SAFETY MESSAGES IN THIS MANUAL. WHEN YOU SEE THIS SYMBOL, CAREFULLY READ THE MESSAGE THAT FOLLOWS AND BE ALERT TO THE POSSIBILITY OF DEATH OR SERIOUS INJURY.</p> <p>Safety Decals on this machine use the words Danger, Warning, or Caution, which are defined as follows:</p> <ul style="list-style-type: none"> ● DANGER: Indicates an immediate hazardous situation that, if not avoided, will result in death or serious injury. The color associated with Danger is RED. ● WARNING: Indicates a potentially hazardous situation that, if not avoided, could result in death or serious injury. The color associated with Warning is ORANGE. ● CAUTION: Indicates a potentially hazardous situation which, if not avoided, may result in minor or moderate injury. It may also be used to alert against unsafe practices. The color associated with Caution is YELLOW. <p>If Safety Decals on this machine are ISO two panel Pictorial, decals are defined as follows:</p> <ul style="list-style-type: none"> ● The first panel indicates the nature of the hazard. ● The second panel indicates the appropriate avoidance of the hazard. ● Background color is YELLOW ● Prohibition symbols such as  and  and  if used, are RED.
---	--

 <h1 style="margin: 0;">WARNING</h1>
<p>IMPROPER OPERATION OF THIS MACHINE CAN CAUSE DEATH OR SERIOUS INJURY. BEFORE USING THIS MACHINE, MAKE CERTAIN THAT EVERY OPERATOR:</p> <ul style="list-style-type: none"> ② Is instructed in safe and proper use of the machine. ② Reads and understands the Manual(s) pertaining to the machine. ② Reads and understands ALL Safety Decals on the machine. ② Clears the area of other persons. ② Learns and practices safe use of machine controls in a safe, clear area before operating this machine on a job site. <p>It is your responsibility to observe pertinent laws and regulations and follow instructions on machine operation and maintenance.</p>

<p>CALIFORNIA PROPOSITION 65 WARNING</p> <p>Diesel engine exhaust and some of its constituents are known to the State of California to cause cancer, birth defects, and other reproductive harm.</p> <p>Battery post, terminals and related accessories contain lead and lead compounds. Wash hands after handling.</p>
--

TECHNICAL MANUALS

Manuals are available from your Dealer for the operation, service, and repair of your machine. Contact your Dealer for assistance in obtaining the manuals for your machine. Your Dealer can expedite your order for Operator's Manuals, Parts Catalogs, Service Manuals, and maintenance records. Always give the Machine Name, Model, and P. I.N. (Product Identification Number) or S. N. (Serial Number) of your machine so your Dealer can provide the correct manuals for your machine.

TABLE OF CONTENTS

CHAPTER 1

GENERAL INFORMATION	
TO THE OWNER	1-1
RIGHT, LEFT, FRONT, AND REAR OF THE MACHINE	1-2
IDENTIFICATION NUMBERS	1-3
MACHINE COMPONENTS	1-4

CHAPTER 2

SAFETY AND SAFETY DECALS	
TABLE OF CONTENTS	2-1
SAFETY AND SAFETY DECALS	2-3
SAFETY DECALS	2-11

CHAPTER 3

INSTRUMENTS AND CONTROLS	
TABLE OF CONTENTS	3-1
INSTRUMENT PANEL	3-3
BRAKE, DECELERATOR AND FOOTREST	3-14
PARKING BRAKES	3-14
DIRECTION CONTROL LEVER, HYDROSTATIC DRIVE CONTROL, HAND THROTTLE	3-15
DOZER BLADE CONTROL LEVER	3-17
RIPPER CONTROL LEVER	3-19
OPERATORS SEAT	3-20
CAB	3-22
OPERATORS SEAT BELT	3-25

CHAPTER 4

OPERATING INSTRUCTIONS	
TABLE OF CONTENTS	4-1
RUN-IN PERIOD OF A NEW MACHINE	4-3
ENGINE OPERATION	4-4
CRAWLER OPERATION	4-6
MOVING A DISABLED CRAWLER	4-13
TRANSPORTING THE MACHINE	4-15
OPERATING IN HOT WEATHER	4-17
OPERATING IN COLD WEATHER	4-17
BOOSTER BATTERY CONNECTION TO MACHINE BATTERY	4-19
TILTING THE CAB	4-20
DOZER OPERATION	4-22
TRACK SYSTEMS	4-23
FACTORS CONTROLLING UNDERCARRIAGE WEAR	4-25

CHAPTER 5

LUBRICATION, FILTERS, AND FLUIDS	
TABLE OF CONTENTS	5-1
LUBRICATION, FILTERS, AND FLUIDS	5-3
FLUIDS AND LUBRICANTS	5-5
LUBRICATION AND MAINTENANCE QUICK REFERENCE CHART	5-6
AS REQUIRED MAINTENANCE	5-9
TRACK MAINTENANCE	5-10
EVERY 10 HOURS	5-13
INITIAL 20 HOUR TRACK SHOE BOLT TORQUE	5-16
EVERY 50 HOURS	5-17
EVERY 250 HOURS	5-18
EVERY 500 HOURS	5-21

EVER 1000 HOURS	5-24
EVERY 2000 HOURS	5-27

CHAPTER 6

MAINTENANCE AND ADJUSTMENTS

TABLE OF CONTENTS	6-1
MAINTENANCE AND ADJUSTMENT	
ROLL-OVER PROTECTIVE STRUCTURE	6-4
MACHINE CLEANING	6-5
ADJUSTING THE RIPPER SHANKS	6-5
DOZER BLADE PITCH ADJUSTMENT	6-6
FIRE EXTINGUISHER MOUNTING (IF EQUIPPED)	6-6
MACHINE STORAGE	6-7
REAR ATTACHMENT TORQUE VALUES	6-8

CHAPTER 7

ELECTRICAL

TABLE OF CONTENTS	7-1
ELECTRICAL SYSTEM	7-3

CHAPTER 8

SPECIFICATIONS

TABLE OF CONTENTS	8-1
SPECIFICATIONS	8-3
TRANSPORT LENGTH AND WIDTH WITH BLADE FULLY ANGLED 28 DEGREES	8-5
OPERATING DATA AND DIMENSIONS	8-6
OPERATING DATA AND DIMENSIONS - RIPPER	8-8

CHAPTER 9

INDEX

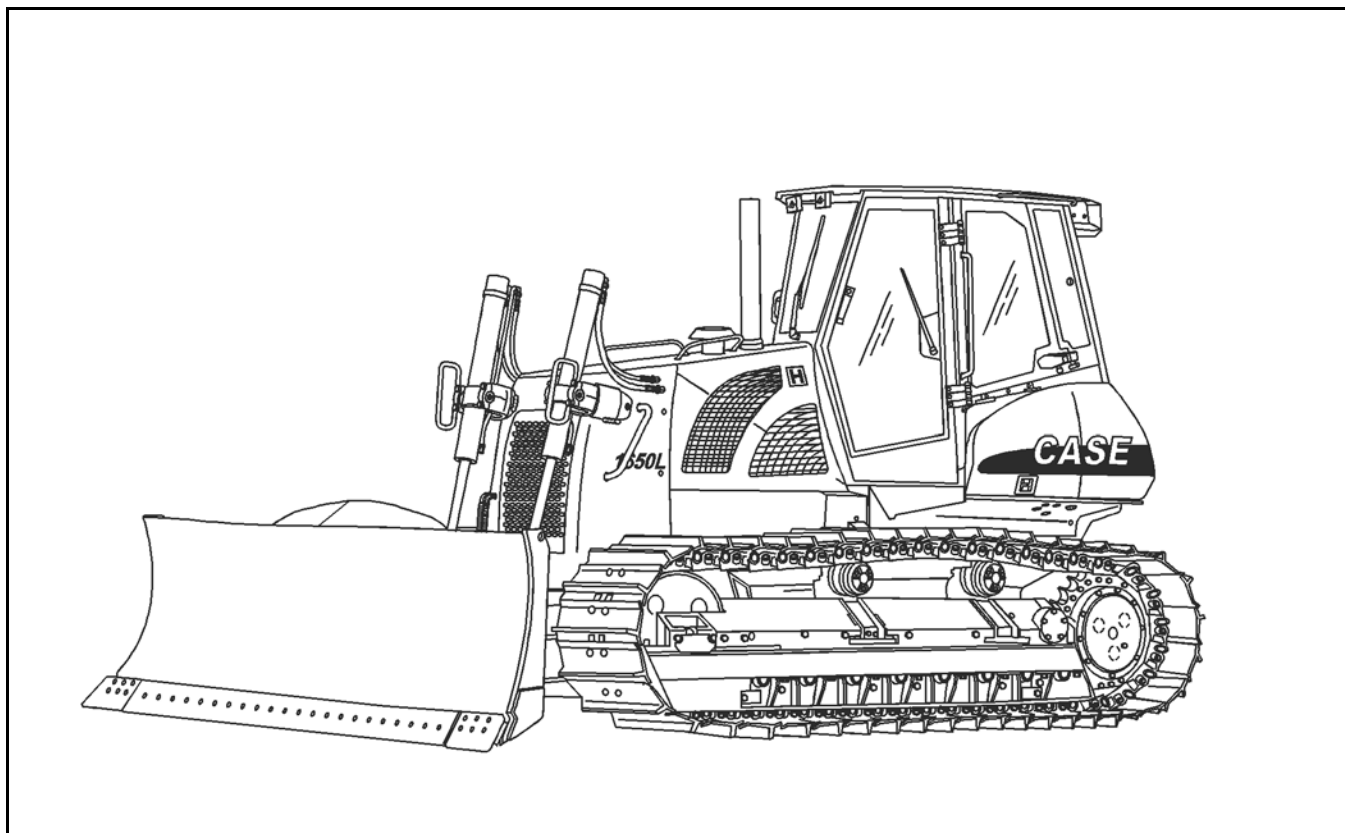
CHAPTER 10

AFTER DELIVERY CHECK - DEALER COPY	10-1
AFTER DELIVERY CHECK - OWNERS COPY	10-3

Chapter 1

GENERAL INFORMATION

TO THE OWNER



BD07G232-01

Figure 1

L SERIES CRAWLER

This manual contains important information about the safe operation, adjustment and maintenance of your Case Crawler. Refer to the Detail Index at the end of this manual for locating specific items about your machine. The Crawler conforms to current safety regulations.

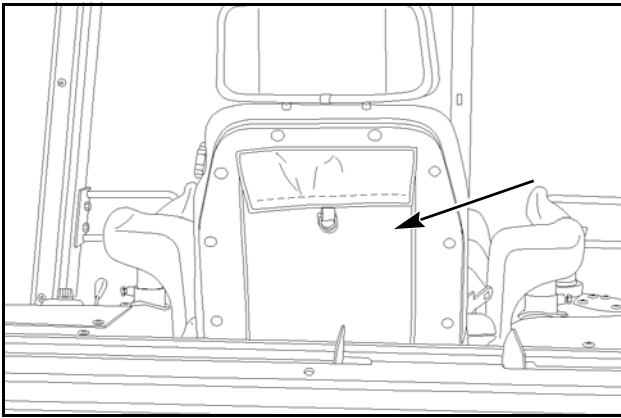
Use this manual as a guide. Your Crawler will remain a reliable working tool as long as it is kept in good working condition and serviced properly.

Do not operate or permit anyone to operate or service this machine until you or the other persons have read and understand the safety, operation and maintenance instructions in this manual. Use only trained operators who have demonstrated the ability to operate and service this machine correctly and safely.

This Crawler, with standard equipment and authorized attachments, is intended to be used for above ground material handling.

Do Not use this machine for any application or purpose other than those described in this manual. Consult an authorized dealer of the Case Corporation on changes, additions or modifications that can be required for this machine to comply with various country regulations and safety requirements. Unauthorized modifications will cause serious injury or death. Anyone making such unauthorized modifications is responsible for the consequences.

This Operator's Manual is to be stored in the manual compartment equipped on this machine. Make sure this manual is complete and in good condition. Contact your dealer to obtain additional manuals. Contact your dealer for any further information or assistance about your machine. Your dealer has Case Corporation approved service parts. Your dealer has technicians with special training that know the best methods of repair and maintenance for your Crawler.

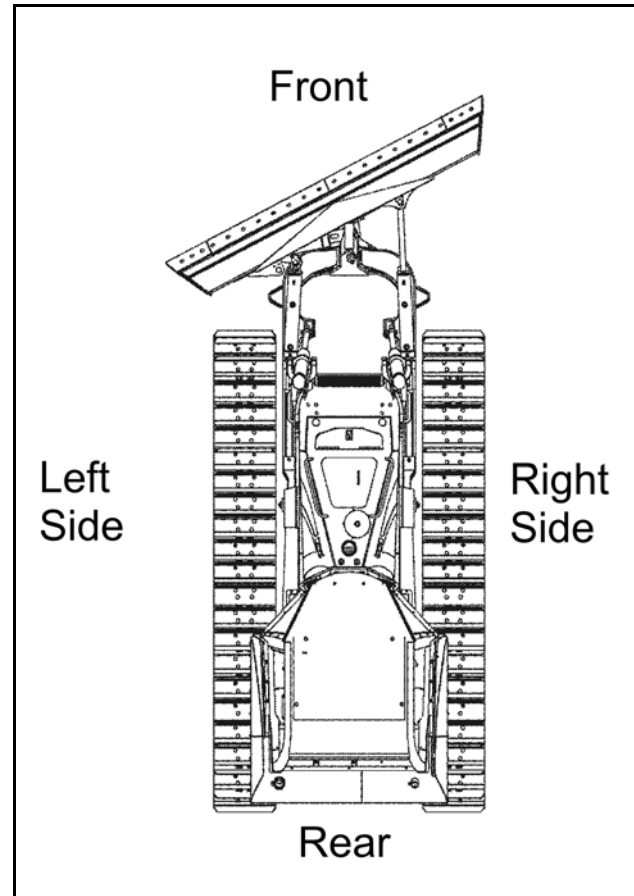


BD06E039-01

Figure 2

OPERATOR'S MANUAL POUCH ATTACHED TO SEAT BACK

RIGHT, LEFT, FRONT, AND REAR OF THE MACHINE



BC07H152-02

Figure 3

BASIC MACHINE

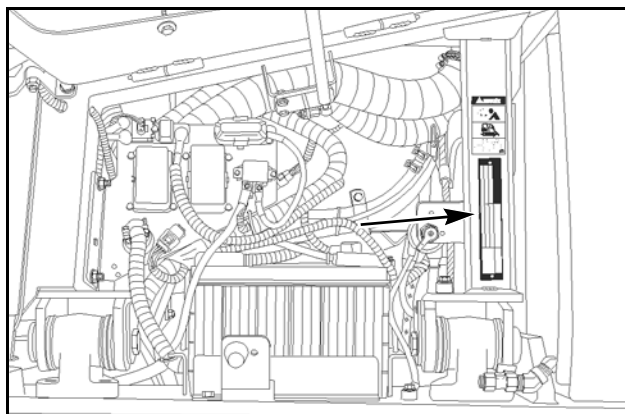
The terms Right-hand, Left-hand, Front, and Rear are used in this manual to indicate the sides as they are seen from the operator's seat.

IDENTIFICATION NUMBERS

Write your machine model number, Product Identification Number (P.I.N.) and serial numbers on the lines provided below. Always give these numbers to your dealer when you need parts or information for your machine.

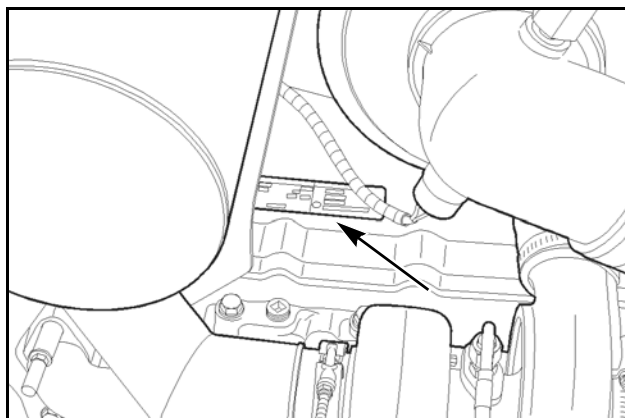
Make a record of the numbers. Keep the record and your Manufacturer's Statement of Origin in a safe place. If the machine is stolen, report the numbers to your local law enforcement agency.

Machine	
➤	_____
	Machine Model and Type
➤	_____
	Product Identification Number: P.I.N.
➤	_____
	Year of Build
Component Serial Numbers	
➤	_____
	Engine serial number
➤	_____
	ROPS Cab or Canopy serial number
➤	_____
	Dozer Blade serial number



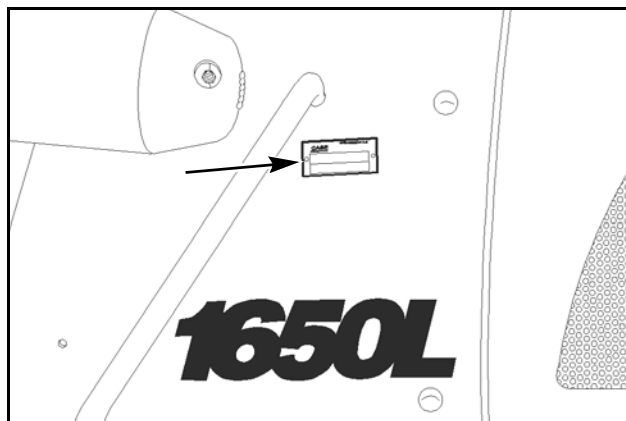
BD07G137-01 Figure 5

CAB PLATE IS LOCATED ON THE LEFT-HAND SIDE, REAR POST



BD07G154-01 Figure 6

ENGINE



BD07H129-01 Figure 4

PRODUCT IDENTIFICATION NUMBER (P.I.N.) ON THE LEFT SIDE IN FRONT OF ENGINE ACCESS DOOR

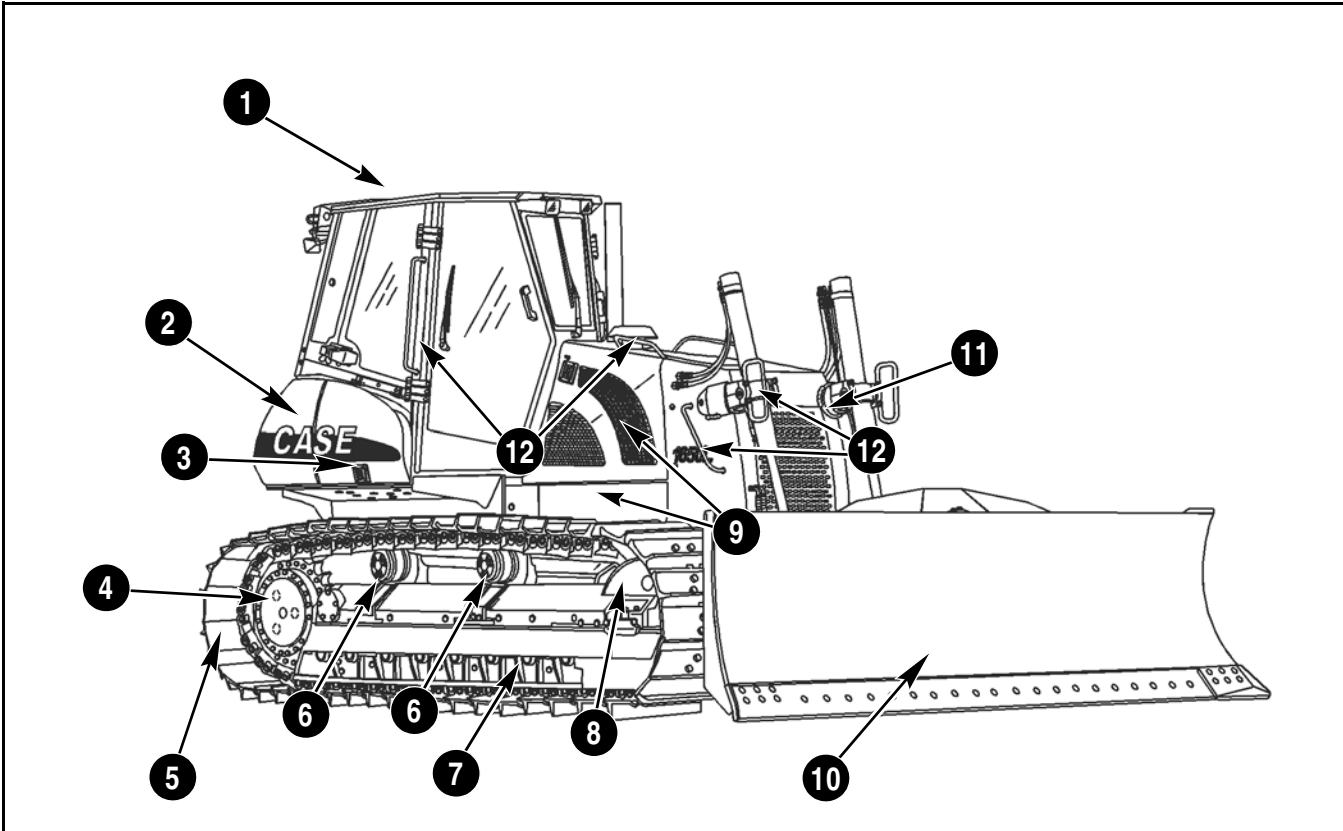
ROPS CANOPY PLATE IS LOCATED ON THE LEFT-HAND SIDE, REAR POST



BD07H126-01 Figure 7

DOZER BLADE RIGHT SIDE

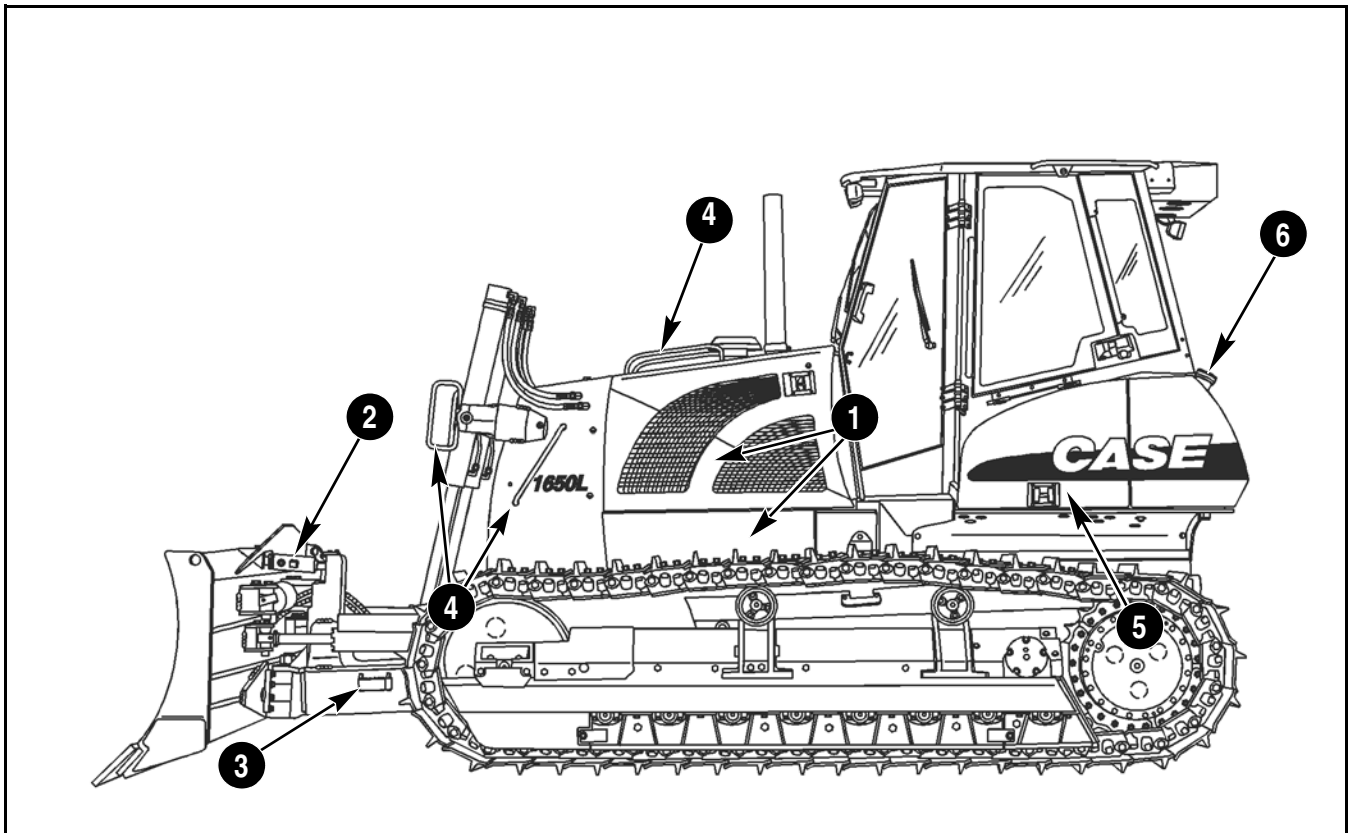
MACHINE COMPONENTS



BD07G234-01

Figure 8

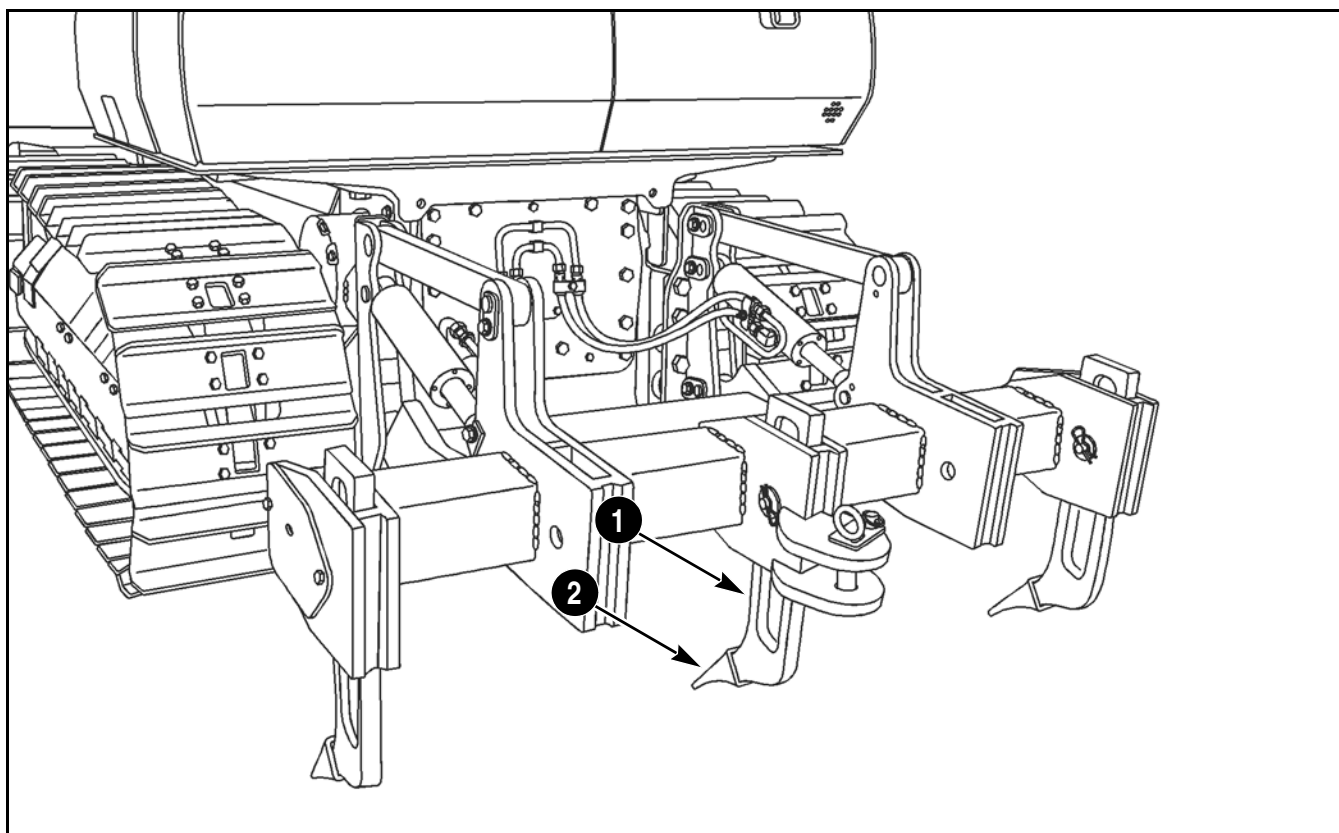
1. Cab	5. Track	9. Right-hand Engine Access Door and Side Shield Panel
2. Right-hand Rear Access Door	6. Carrier Rollers	10. Blade
3. Right-hand Center Access Door	7. Track Roller	11. Radiator Door
4. Sprocket	8. Idler	12. Hand Holds



BD07G236-01

Figure 9

1. Left-hand Engine Access Door and Side Shield Panel	3. Step	5. Left-Rear Access Door
2. Blade Pitch Strut	4. Hand Holds	6. Fuel Fill

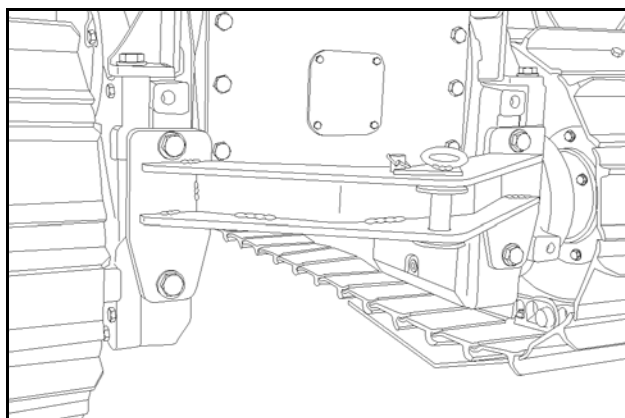


BD02J032-01

Figure 10

RIPPER

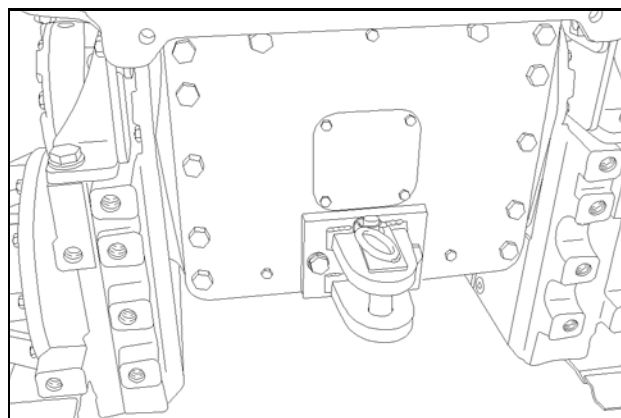
1. Ripper Shank	2. Tooth
-----------------	----------



BD02M132-01

Figure 11

DRAWBAR



BD02M171-01

Figure 12

HITCH