

The CASE logo is displayed in a bold, white, italicized sans-serif font. It is positioned on a black background that is part of a trapezoidal shape pointing to the left. A horizontal orange bar is located directly beneath the letters 'A' and 'S'.

PROFESSIONAL PARTNER

**OPERATOR'S MANUAL**  
**CRAWLER DOZER**  
**1150K**  
**SERIES 3**

87538948 NA

Issued 10-2006



---

# OPERATORS MANUAL

---

CRAWLER DOZER

**1150K**  
**SERIES 3**

---



READ, UNDERSTAND, AND FOLLOW ALL SAFETY  
PRECAUTIONS AND INSTRUCTIONS FOUND IN THIS  
MANUAL BEFORE OPERATING THE MACHINE.

CNH America, LLC reserves the right to make improvements in design or changes in specifications at any time without incurring any obligation to install them on units previously sold.

All data given in this publication is subject to production variations. Dimensions and weights are only approximate. Illustrations do not necessarily show products in standard condition. For exact information about any particular product, please consult your Dealer

REVISION HISTORY			
Issue	Issue Date	Applicable Machines	Remarks
First Edition	10-2006	1150K SERIES 3	87538948 NA



*THIS SAFETY ALERT SYMBOL INDICATES IMPORTANT SAFETY MESSAGES IN THIS MANUAL. WHEN YOU SEE THIS SYMBOL, CAREFULLY READ THE MESSAGE THAT FOLLOWS AND BE ALERT TO THE POSSIBILITY OF DEATH OR SERIOUS INJURY.*

Safety Decals on this machine use the words Danger, Warning, or Caution, which are defined as follows:

**DANGER:** Indicates an immediate hazardous situation that, if not avoided, will result in death or serious injury. The color associated with Danger is RED.

**WARNING:** Indicates a potentially hazardous situation that, if not avoided, could result in death or serious injury. The color associated with Warning is ORANGE.

**CAUTION:** Indicates a potentially hazardous situation which, if not avoided, may result in minor or moderate injury. It may also be used to alert against unsafe practices. The color associated with Caution is YELLOW.

If Safety Decals on this machine are ISO two panel Pictorial, decals are defined as follows:

The first panel indicates the nature of the hazard.

The second panel indicates the appropriate avoidance of the hazard.

Background color is YELLOW

Prohibition symbols such as  and  if used, are RED.

## **WARNING**

IMPROPER OPERATION OF THIS MACHINE CAN CAUSE DEATH OR SERIOUS INJURY. BEFORE USING THIS MACHINE, MAKE CERTAIN THAT EVERY OPERATOR:

Is instructed in safe and proper use of the machine.

Reads and understands the Manual(s) pertaining to the machine.

Reads and understands ALL Safety Decals on the machine.

Clears the area of other persons.

Learns and practices safe use of machine controls in a safe, clear area before operating this machine on a job site.

It is your responsibility to observe pertinent laws and regulations and follow instructions on machine operation and maintenance.

### **CALIFORNIA PROPOSITION 65 WARNING**

Diesel engine exhaust and some of its constituents are known to the State of California to cause cancer, birth defects, and other reproductive harm.

Battery post, terminals and related accessories contain lead and lead compounds. Wash hands after handling.

### **TECHNICAL MANUALS**

Manuals are available from your Dealer for the operation, service, and repair of your machine.

Contact your Dealer for assistance in obtaining the manuals for your machine. Your Dealer can expedite your order for Operator's Manuals, Parts Catalogs, Service Manuals, and maintenance records.

Always give the Machine Name, Model, and P. I.N. (Product Identification Number) or S. N. (Serial Number) of your machine so your Dealer can provide the correct manuals for your machine.

# TABLE OF CONTENTS

## CHAPTER 1

GENERAL INFORMATION	
TO THE OWNER .....	1-1
RIGHT, LEFT, FRONT, AND REAR OF THE MACHINE .....	1-2
IDENTIFICATION NUMBERS .....	1-3
MACHINE COMPONENTS .....	1-4

## CHAPTER 2

SAFETY AND SAFETY DECALS	
TABLE OF CONTENTS .....	2-1
SAFETY AND SAFETY DECALS .....	2-3
SAFETY DECALS .....	2-11

## CHAPTER 3

INSTRUMENTS AND CONTROLS	
TABLE OF CONTENTS .....	3-1
INSTRUMENT PANEL .....	3-3
BRAKE, DECELERATOR AND FOOTREST .....	3-13
PARKING BRAKES .....	3-13
DIRECTION CONTROL LEVER, TRANSMISSION CONTROL, HAND THROTTLE .....	3-14
DOZER BLADE CONTROL LEVER .....	3-16
RIPPER CONTROL LEVER .....	3-18
OPERATORS SEAT .....	3-19
CAB .....	3-21
OPERATORS SEAT BELT .....	3-24

## CHAPTER 4

OPERATING INSTRUCTIONS	
TABLE OF CONTENTS .....	4-1
RUN-IN PERIOD OF A NEW MACHINE .....	4-3
ENGINE OPERATION .....	4-4
CRAWLER OPERATION .....	4-6
MOVING A DISABLED CRAWLER .....	4-14
TRANSPORTING THE MACHINE .....	4-17
OPERATING IN HOT WEATHER .....	4-19
OPERATING IN COLD WEATHER .....	4-19
BOOSTER BATTERY CONNECTION TO MACHINE BATTERY .....	4-21
TILTING THE CAB .....	4-22
DOZER OPERATION .....	4-24
TRACK SYSTEMS .....	4-25
FACTORS CONTROLLING UNDERCARRIAGE WEAR .....	4-27

## CHAPTER 5

LUBRICATION, FILTERS, AND FLUIDS	
TABLE OF CONTENTS .....	5-1

## CHAPTER 6

MAINTENANCE AND ADJUSTMENTS	
TABLE OF CONTENTS .....	6-1
MAINTENANCE AND ADJUSTMENT	
ROLL-OVER PROTECTIVE STRUCTURE .....	6-4
MACHINE CLEANING .....	6-5
ADJUSTING THE RIPPER SHANKS .....	6-5
DOZER BLADE PITCH ADJUSTMENT .....	6-6
FIRE EXTINGUISHER MOUNTING (IF EQUIPPED) .....	6-7

MACHINE STORAGE .....	6-8
<b>CHAPTER 7</b>	
ELECTRICAL	
TABLE OF CONTENTS .....	7-1
ELECTRICAL SYSTEM .....	7-3
<b>CHAPTER 8</b>	
SPECIFICATIONS	
TABLE OF CONTENTS .....	8-1
SPECIFICATIONS .....	8-3
TRANSPORT LENGTH AND WIDTH WITH BLADE FULLY ANGLED 25 DEGREES .....	8-5
OPERATING DATA AND DIMENSIONS .....	8-6
OPERATING DATA AND DIMENSIONS - RIPPER .....	8-8
<b>CHAPTER 9</b>	
INDEX	
<b>CHAPTER 10</b>	
AFTER DELIVERY CHECK - DEALER COPY .....	10-1
AFTER DELIVERY CHECK - OWNERS COPY .....	10-3

# Chapter 1

## GENERAL INFORMATION

### TO THE OWNER



BD06G104

Figure 1

#### K SERIES CRAWLER

This manual contains important information about the safe operation, adjustment and maintenance of your Case Crawler. Refer to the Detail Index at the end of this manual for locating specific items about your machine. The Crawler conforms to current safety regulations.

Use this manual as a guide. Your Crawler will remain a reliable working tool as long as it is kept in good working condition and serviced properly.

Do Not operate or permit anyone to operate or service this machine until you or the other persons have read and understand the safety, operation and maintenance instructions in this manual. Use only trained operators who have demonstrated the ability to operate and service this machine correctly and safely.

This Crawler, with standard equipment and authorized attachments, is intended to be used for above ground material handling.

Do Not use this machine for any application or purpose other than those described in this manual. Consult an authorized dealer of the Case Corporation on changes, additions or modifications that can be required for this machine to comply with various country regulations and safety requirements. Unauthorized modifications will cause serious injury or death. Anyone making such unauthorized modifications is responsible for the consequences.

This Operators Manual is to be stored in the manual compartment equipped on this machine, Make sure this manual is complete and in good condition. Contact your dealer to obtain additional manuals. Contact your dealer for any further information or assistance about your machine. Your dealer has Case Corporation approved service parts. Your dealer has technicians with special training that know the best methods of repair and maintenance for your Crawler.

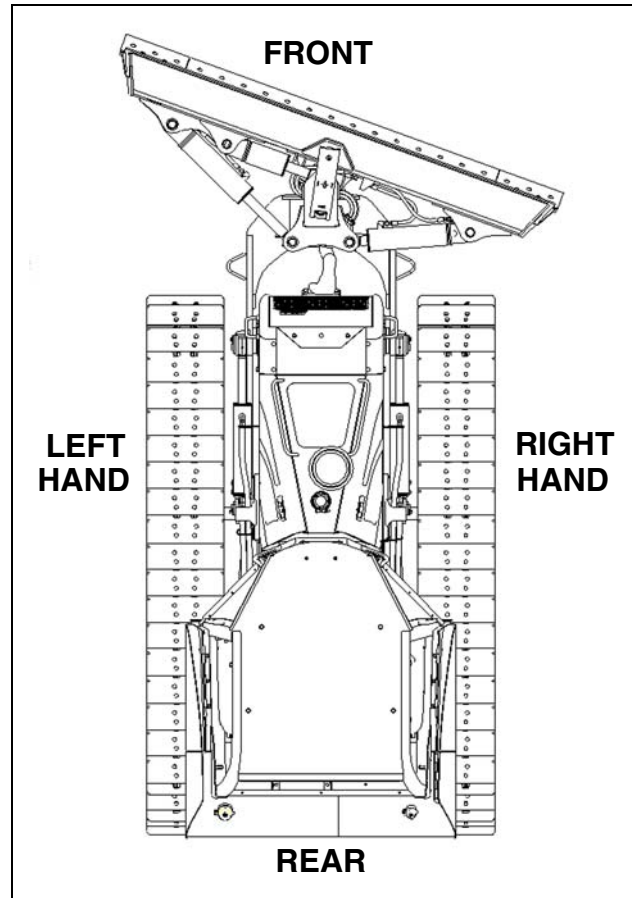


BD06E039

Figure 2

OPERATOR'S MANUAL POUCH ATTACHED TO SEAT BACK

## RIGHT, LEFT, FRONT, AND REAR OF THE MACHINE



BS06D299

Figure 3

### BASIC MACHINE

The terms Right-hand, Left-hand, Front, and Rear are used in this manual to indicate the sides as they are seen from the operator's seat.

## IDENTIFICATION NUMBERS

Write your machine model number, Product Identification Number (P.I.N.) and serial numbers on the lines provided below. Always give these numbers to your dealer when you need parts or information for your machine.

Make a record of the numbers. Keep the record and your Manufacturer's Statement of Origin in a safe place. If the machine is stolen, report the numbers to your local law enforcement agency.

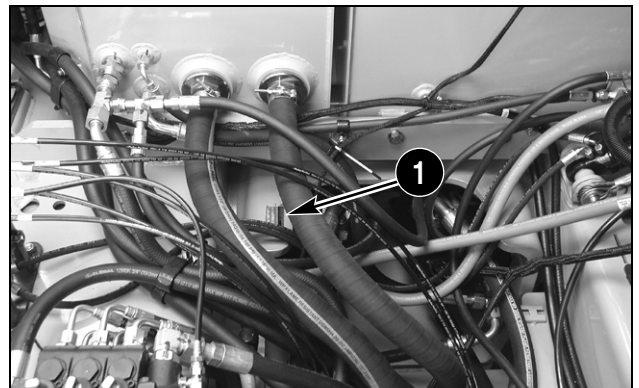
<b>Machine</b>	
➤ _____ Machine Model and Type	
➤ _____ Product Identification Number: P.I.N.	
➤ _____ Year of Build	
<b>Component Serial Numbers</b>	
➤ _____ Engine serial number	
➤ _____ Transmission and serial number	
➤ _____ ROPS cab or canopy serial number	
➤ _____ Dozer blade serial number	
➤ _____	



BD06K002

Figure 5

### ENGINE



BD02J108

Figure 6

### TRANSMISSION

1. ON THE HOUSING UNDER THE CAB



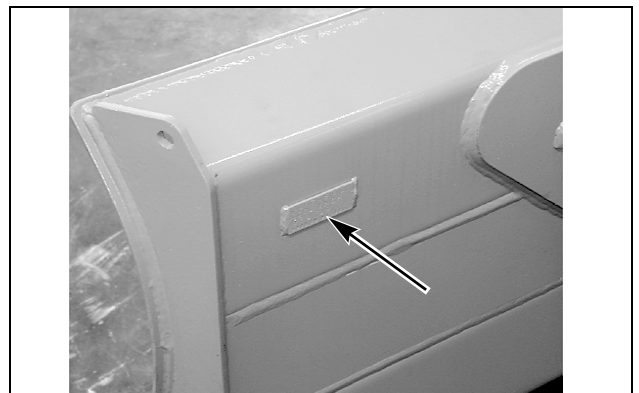
BD02K018

Figure 4

### PRODUCT IDENTIFICATION NUMBER (P.I.N.)

ROPS CANOPY PLATE IS LOCATED ON THE LEFT-HAND UPPER SIDE

CAB PLATE IS LOCATED ON THE RIGHT-HAND SIDE REAR POST



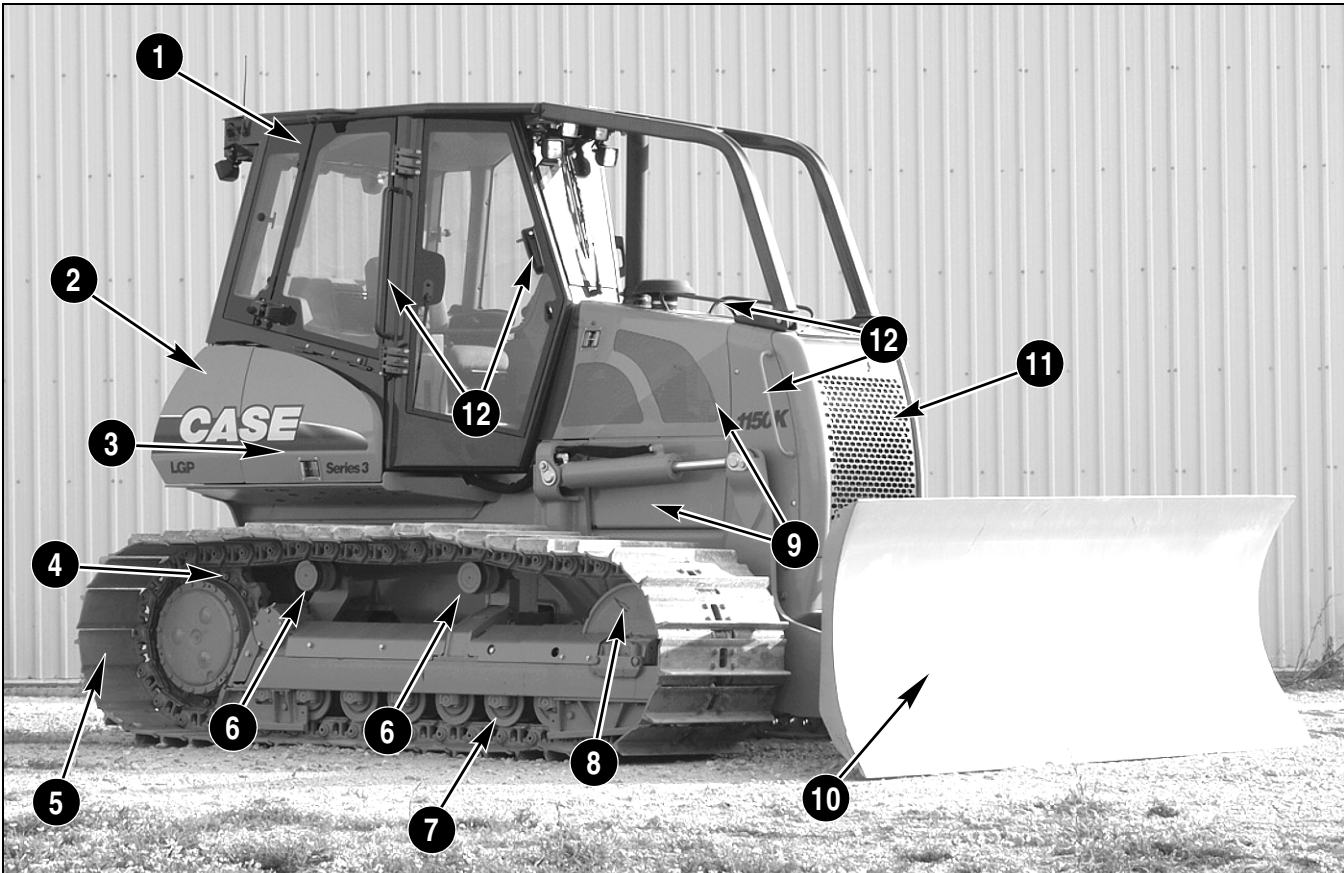
BD99J147

Figure 7

### DOZER BLADE



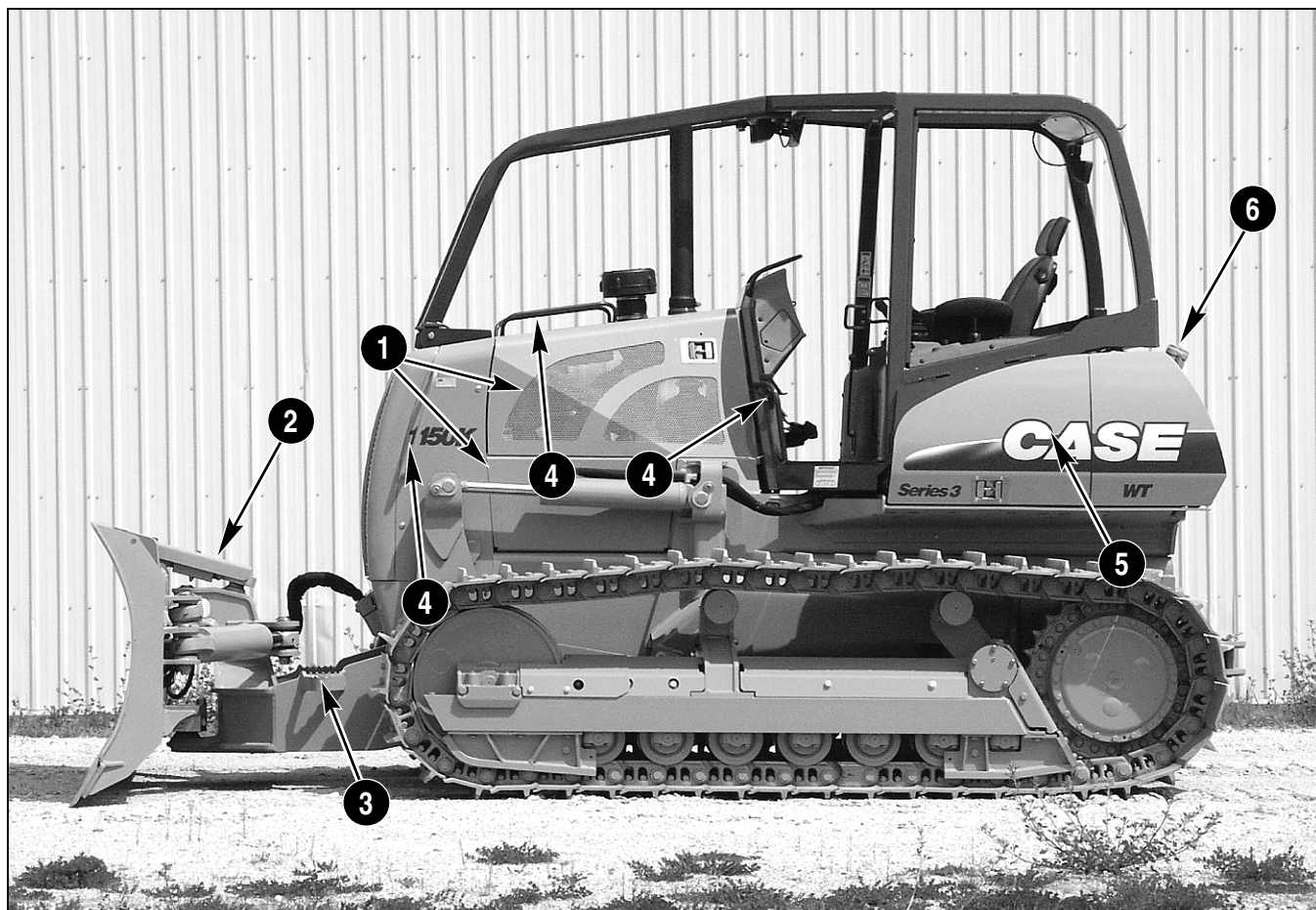
**MACHINE COMPONENTS**



BD06G105

Figure 8

1. Cab	5. Track	9. Right-hand Engine Access Door and Side Shield Panel
2. Right-hand Rear Access Door	6. Carrier Rollers	10. Blade
3. Right-hand Center Access Door	7. Track Roller	11. Radiator Door
4. Sprocket	8. Idler	12. Hand Holds



BD06G106

Figure 9

1. Left-hand Engine Access Door and Side Shield Panel	3. Step	5. Left-Rear Access Door
2. Blade Pitch Adjuster	4. Hand Holds	6. Fuel Fill

Figure 10