

TABLE OF CONTENTS

TO THE OWNER	1
REGULATIONS	2
AFTER DELIVERY CHECK	2
RIGHT, LEFT, FRONT AND REAR SIDES OF THE MACHINE	3
IDENTIFICATION NUMBERS	4
MACHINE COMPONENTS	6 - 7
SAFETY/DECALS/HAND SIGNALS	9
SAFETY RULES	9
UTILITY SAFETY	10
BEFORE OPERATION	11
MACHINE OPERATION	12
PARKING THE MACHINE	13
FIRE EXTINGUISHER	13
BURN PREVENTION	14
HAZARDOUS CHEMICALS	14
FIRE OR EXPLOSION PREVENTION	15
MAINTENANCE	16
DUCTILE IRON	16
INFORMATION DECALS	17
SAFETY DECALS	18
HAND SIGNALS	24
INSTRUMENTS/CONTROLS	27
INSTRUMENT PANEL	27 - 34
ENGINE HAND THROTTLE AND TRANSMISSION CONTROL	35
TRANSMISSION CONTROLS AND HORN BUTTON	36
NEUTRAL LOCK/PARKING BRAKE CONTROL LEVER	37
OPTIONAL TRANSMISSION CONTROLS	38
BACK-UP ALARM	38
FOOT THROTTLE, STEERING AND BRAKE PEDAL	39
DECELERATOR	40
DOZER BLADE CONTROL LEVER	41 - 42
CONTROL HANDLE POSITIONS	43
RIPPER CONTROL LEVER	44
CAB CONTROLS	45
BATTERY DISCONNECT SWITCH	48
OPERATORS SEAT	49
OPERATORS SEAT BELT	51
OPERATING INSTRUCTIONS	53

TRIM THIS EDGE

TABLE OF CONTENTS

TRIM THIS EDGE

RUN-IN PERIOD OF A NEW MACHINE	53
ENGINE OPERATION	54
CRAWLER OPERATION	57
TOWING A DISABLED CRAWLER	62
TRANSPORTING THE MACHINE	64
OPERATING IN HOT WEATHER	65
OPERATING IN COLD WEATHER	65
DOZER OPERATION	70
RIPPER OPERATING TIPS	76
TRACK SYSTEMS	77
VANDAL LOCKUP	91
BLADE LIFT EYE	91
LUBRICATON/FILTERS/FLUIDS	93
GENERAL SAFETY BEFORE YOU SERVICE	93
SYSTEMGARD LUBRICATION ANALYSIS PROGRAM	94
ENGINE HOURMETER	95
FLUIDS AND LUBRICANTS	96
LUBRICATION/MAINTENANCE CHART	97 - 98
GREASE FITTINGS	99
ACCESS DOORS	101
ENGINE LUBRICATION	102
ENGINE SERVICE	103
AIR FILTER SYSTEM	106
ENGINE COOLING SYSTEM	110
DIESEL FUEL SYSTEM	113
HYDRAULIC SYSTEM	118
TRANSMISSION	121
FINAL DRIVES	128
CAB AIR FILTER	128
MAINTENANCE/ADJUSTMENTS	129
ETHER STARTING FLUID	129
TRANSMISSION CONTROL LEVER ADJUSTMENT	130
REVERSIBLE FAN POSITIONS (If Equipped)	131
AIR CONDITIONER DRIVE BELT	132
ROLL-OVER PROTECTIVE STRUCTURE	133
BRAKE WEAR CHECK	136
MACHINE CLEANING	136
ELECTRICAL SYSTEM	137
BATTERY SERVICE	137

TABLE OF CONTENTS

WORK LAMPS 138
WARNING LAMPS 139
FUSES 140
ACCESSORY OUTLET 140
BATTERY DISCONNECT SWITCH 141

STORAGE 143
MACHINE STORAGE 143
REMOVAL FROM STORAGE 144

SPECIFICATIONS 145
ENGINE SPECIFICATIONS 145
TRAVEL SPEEDS 146
HYDRAULIC SYSTEM 146
TRACK SYSTEM 147
OPERATING DATA AND DIMENSIONS -1.75 M (62 INCH) GAUGE LONG
TRACK (LT) 148
OPERATING DATA AND DIMENSIONS - 1.88 M (74 INCH) GAUGE WIDE
TRACK (WT) OR LOW GROUND PRESSURE (LGP) CRAWLERS 150
OPERATING DATA AND DIMENSIONS - RIPPER 151
WEIGHTS 152
AFTER DELIVERY CHECK 163
AFTER DELIVERY CHECK 165

TRIM THIS EDGE

NOTES

TRIM THIS EDGE

TO THE OWNER



BD99N103

TRIM THIS EDGE

This manual contains important information about the safe operation, adjustment and maintenance of your Case Crawler. Refer to the Detail Index at the end of this manual for locating specific items about your machine. The Crawler conforms to current safety regulations.

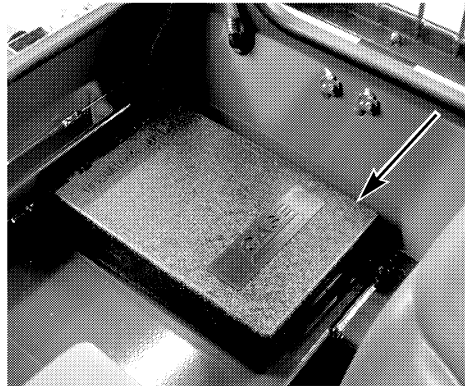
Use this manual as a guide. Your Crawler will remain a reliable working tool as long as it is kept in good working condition and serviced properly.

Do Not operate or permit anyone to operate or service this machine until you or the other persons have read and understand the safety, operation and maintenance instructions in this manual. Use only trained operators who have demonstrated the ability to operate and service this machine correctly and safely.

This Crawler, with standard equipment and authorized attachments, is intended to be used for above ground material handling. This machine is not intended to be used for towing other equipment or transporting loads at high speeds.

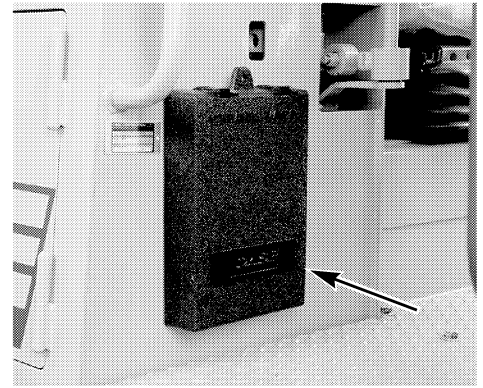
Do Not use this machine for any application or purpose other than those described in this manual. Consult an authorized dealer of the Case Corporation on changes, additions or modifications that can be required for this machine to comply with various country regulations and safety requirements. Unauthorized modifications will cause serious injury or death. Anyone making such unauthorized modifications is responsible for the consequences.

This Operators Manual is to be stored in the manual compartment equipped on this machine. Make sure this manual is complete and in good condition. Contact your dealer to obtain additional manuals. Contact your dealer for any further information or assistance about your machine. Your dealer has Case Corporation approved service parts. Your dealer has technicians with special training that know the best methods of repair and maintenance for your Crawler.



CAB MACHINE

BD99K126



ROPS MACHINE

BD99N050

TRIM THIS EDGE

REGULATIONS

Local, state and national laws may regulate the disposal of various service fluids used in this equipment, such as but not limited to oils, hydraulic, battery and transmission fluids. You should be aware of and comply with any pertinent regulations in order to insure safe and proper handling and disposal of any regulated fluids.

AFTER DELIVERY CHECK

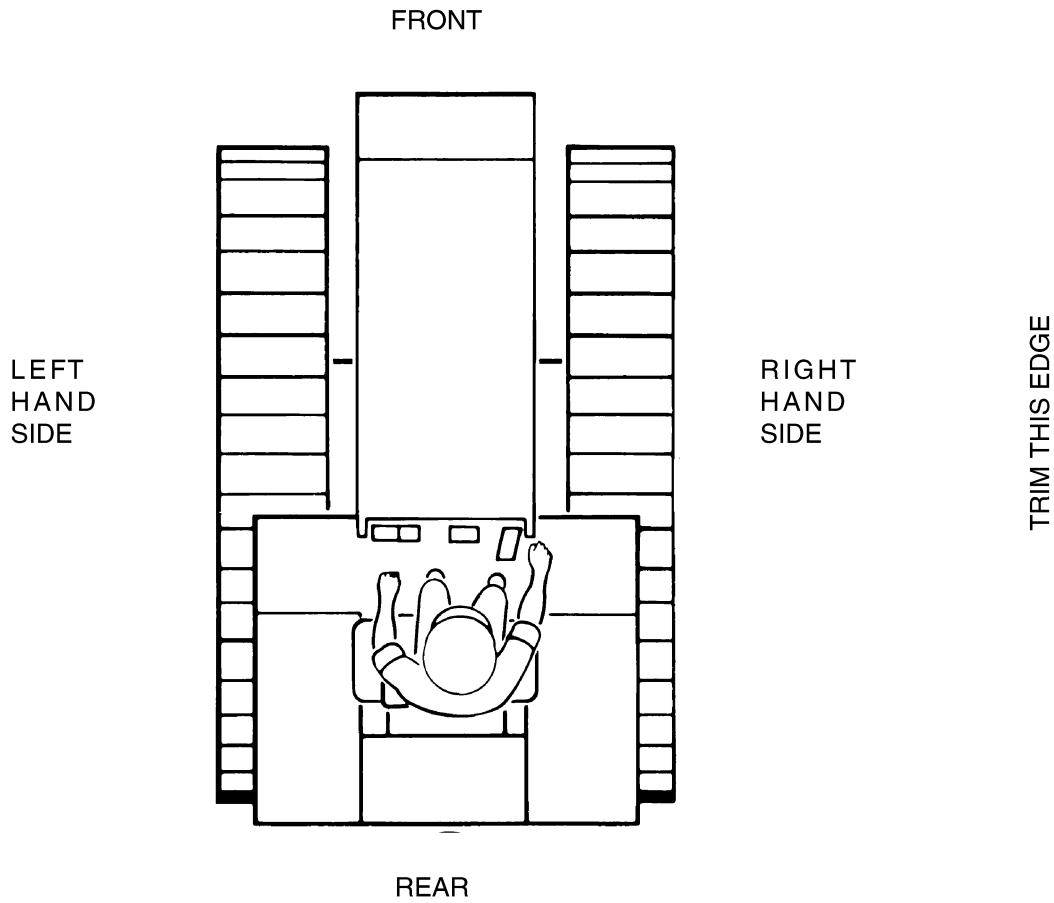
Two copies of the After Delivery Check are in the back of this manual. One copy is for you and one copy is for the dealer. Make sure that your dealer does the After Delivery Check after the first 20 hours of machine operation.

NOTE: *Your cost for this check will be for filters, oil, or other accessories. If the dealer comes to your machine, there can also be a cost for the time and distance.*

RIGHT, LEFT, FRONT AND REAR SIDES OF THE MACHINE

Right-hand and left-hand, when used in this manual, indicate the right and left sides of the machine as seen from the operators seat.

Basic Machine, Dozer and Ripper



B830800J

IDENTIFICATION NUMBERS

Write your machine model number, Product Identification Number (P.I.N.) and serial numbers on the lines provided below. If needed, give these numbers to your dealer when you need parts or information for your machine.

Make a record of the numbers. Keep the record and your Manufacturer's Statement of Origin in a safe place. If the machine is stolen, report the numbers to your local law enforcement agency.

MACHINE MODEL NUMBER

PRODUCT IDENTIFICATION NUMBER

ENGINE SERIAL NUMBER

TRANSMISSION SERIAL NUMBER

TORQUE CONVERTER SERIAL NUMBER

ROPS CANOPY SERIAL NUMBER

OTHER

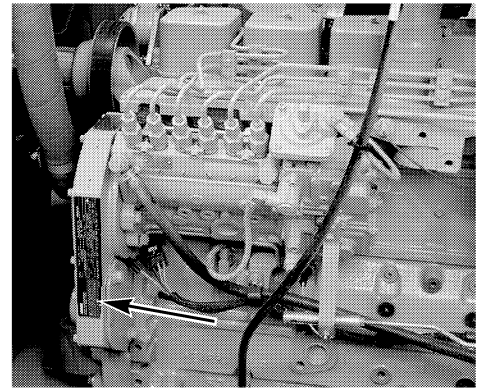
TRIM THIS EDGE

Product Identification Number (P.I.N.)



BD99N050

Engine



BD99N082

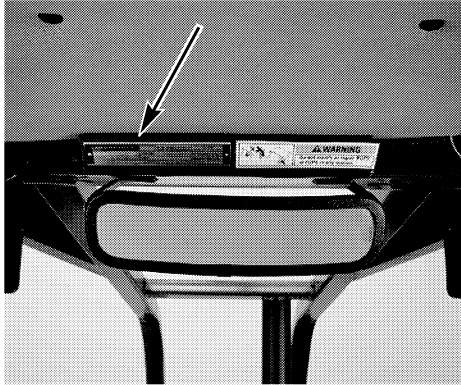
Transmission



BD99N093

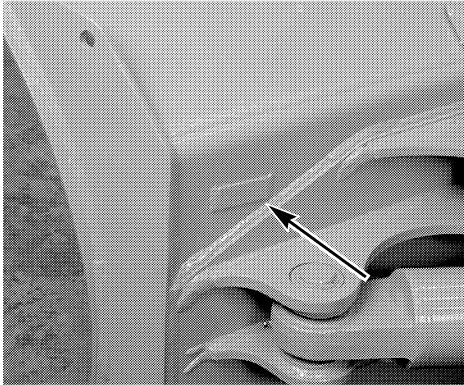
1. ON THE TRANSMISSION HOUSING
BEHIND THE GUARD

ROPS Canopy



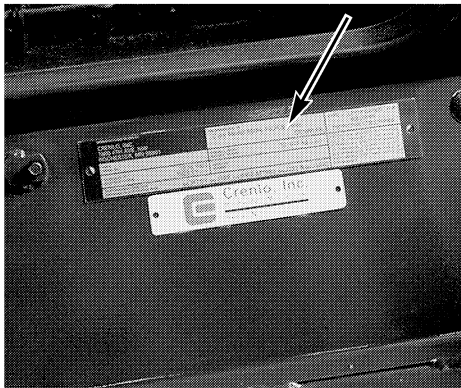
BD99N087

Dozer Blade



BD99J147

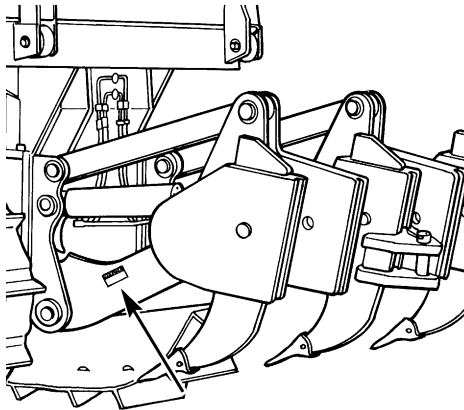
ROPS Cab



BD99N020

TRIM THIS EDGE

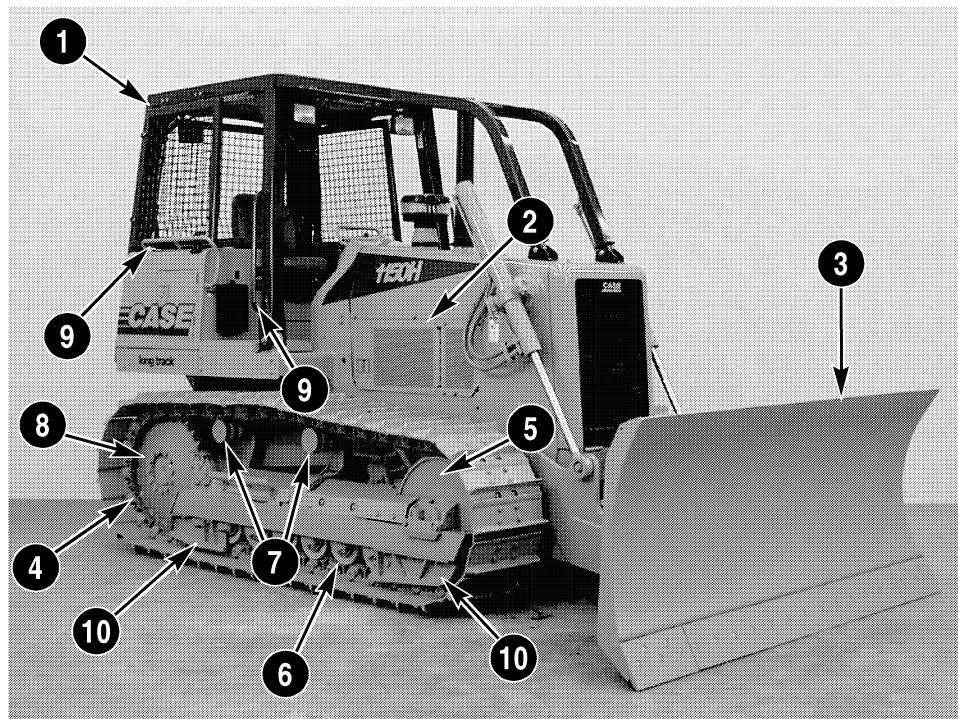
Ripper



138L95

MACHINE COMPONENTS

TRIM THIS EDGE



BD99N103

- | | |
|-----------------------------|-------------------|
| 1. ROPS CANOPY | 6. TRACK ROLLER |
| 2. RIGHT ENGINE COMPARTMENT | 7. CARRIER ROLLER |
| 3. BLADE | 8. SPROCKET |
| 4. TRACK CHAIN | 9. HAND RAILS |
| 5. IDLER | 10. TRACK GUIDE |