

1150G CRAWLER

Operator's Manual

Bur 9-25682



Reprinted



This safety alert symbol indicates important safety messages in this manual. When you see this symbol, carefully read the message that follows and be alert to the possibility of personal injury or death.

M171B

Safety Decals on this machine use the words, **Danger**, **Warning** or **Caution**, which are defined as follows:

- **DANGER:** Indicates an immediate hazardous situation which, if not avoided, will result in death or serious injury. The color associated with Danger is RED.
- **WARNING:** Indicates a potentially hazardous situation which, if not avoided will result in serious injury. The color associated with Warning is ORANGE.
- **CAUTION:** Indicates a potentially hazardous situation which, if not avoided, can result in injury. It can also be used to alert against unsafe practices. The color associated with Caution is YELLOW.



WARNING

IMPROPER OPERATION OF THIS MACHINE CAN CAUSE INJURY OR DEATH. BEFORE USING THIS MACHINE, MAKE CERTAIN THAT EVERY OPERATOR:

- Is instructed in safe and proper use of the machine.
- Reads and understands the Manual(s) pertaining to the machine.
- Reads and understands ALL Safety Decals on the machine.
- Clears the area of other persons.
- Learns and practices safe use of machine controls in a safe, clear area before operating on a job site.

It is your responsibility to observe pertinent laws and regulations and follow Case Corporation instructions on machine operation and maintenance.

TABLE OF CONTENTS

TO THE OWNER	1
AFTER DELIVERY CHECK.....	2
RIGHT, LEFT, FRONT, AND REAR SIDES OF THE MACHINE	2
IDENTIFICATION NUMBER	3
SAFETY/DECALS/HAND SIGNALS	7
SAFETY RULES	7
BEFORE OPERATION.....	8
MACHINE OPERATION	9
PARKING THE MACHINE	10
FIRE EXTINGUISHER	10
BURN PREVENTION	11
CAST DUCTILE IRON	11
FIRE OR EXPLOSION PREVENTION	12
MAINTENANCE	13, 14
HAND SIGNALS	17
INSTRUMENTS AND CONTROLS	21
FOOT THROTTLE, STEERING AND BRAKE PEDAL	24
DECELERATOR	25
TRANSMISSION CONTROLS, ENGINE HAND THROTTLE AND HORN BUTTON	26
BACK-UP ALARM	28
FUEL GAUGE	28
TRANSMISSION RANGE SWITCH	29
MASTER DISCONNECT SWITCH	29
DOZER BLADE CONTROL LEVER	30
RIPPER CONTROL LEVER	32
CAB CONTROLS	33
OPERATORS SEAT	36
OPERATORS SEAT BELT	37
OPERATING INSTRUCTIONS	39
RUN-IN PERIOD OF A NEW MACHINE	39
ENGINE OPERATION	40
CRAWLER OPERATION	43
TOWING A DISABLED CRAWLER	48
TRANSPORTING THE MACHINE	51
OPERATING IN HOT WEATHER	52
OPERATING IN COLD WEATHER	53
DOZER OPERATION	58
RIPPER OPERATION	63
TRACK SYSTEMS	64

TRIM THIS EDGE

TABLE OF CONTENTS

LUBRICATION/MAINTENANCE CHARTS 77
 GENERAL SAFETY BEFORE YOU SERVICE 77
 SYSTEMGARD LUBRICATION ANALYSIS PROGRAM 78
 FLUIDS AND LUBRICANTS 79
 ENGINE HOURMETER 80
 LUBRICATION CHART 81

LUBRICATION/FILTERS/FLUIDS 83
 ACCESS DOORS 83
 GREASE FITTINGS 84
 POWER ANGLE-TILT DOZER GREASE FITTINGS 85
 ENGINE LUBRICATION (PRIOR TO P.I.N. JYG0218023 AND
 P.I.N. JYG0218024 THROUGH JYG0218474) 88
 ENGINE LUBRICATION (P.I.N. JYG0218023 AND
 P.I.N. JYG0218475 and AFTER) 89
 ENGINE COOLING SYSTEM 92
 AIR FILTER SYSTEM 100
 AIR CLEANER (PRIOR TO P.I.N. JYG0218023 AND
 P.I.N. JYG0218024 THROUGH JYG0218474) 101
 AIR CLEANER (P.I.N. JYG0218023 AND P.I.N. JYG0218475 AND AFTER) 103
 HYDRAULIC SYSTEM 107
 TRANSMISSION 110
 FINAL DRIVES 114
 CAB AIR FILTER 115

MAINTENANCE/ADJUSTMENTS 117
 ETHER STARTING FLUID CAN 117
 REVERSIBLE FAN POSITIONS (If Equipped) 118
 AIR CONDITIONER DRIVE BELT 119
 SEAT BELT SERVICE 119
 TRANSMISSION CONTROL LEVER ADJUSTMENT 120
 BRAKE WEAR CHECK 121
 ROLL-OVER PROTECTIVE STRUCTURE 122
 MACHINE CLEANING 125

ELECTRICAL SYSTEM 127
 BATTERY SERVICE 127
 WORK LAMPS 128
 ALTERNATOR WARNING LAMP 129
 INSTRUMENT PANEL LAMP 129
 TRANSMISSION FILTER WARNING LAMP 130
 FUSES 130

TRIM THIS EDGE

TABLE OF CONTENTS

STORAGE 131
MACHINE STORAGE 131

SPECIFICATIONS 133
TRAVEL SPEEDS 133
RIPPER 133
ENGINE (PRIOR TO P.I.N. JJG0218023 AND
P.I.N. JJG0218024 THROUGH JJG0218474) 134
ENGINE (P.I.N. JJG0218023 AND P.I.N. JJG0218475 AFTER) 134
POWER ANGLE-TILT DOZER (LONG TRACK) 135
WEIGHTS 139

AFTER DELIVERY CHECK141, 143

ALPHABETICAL INDEX 145

TRIM THIS EDGE

TABLE OF CONTENTS _____

TRIM THIS EDGE

This page left blank

TO THE OWNER

Read this manual before you start the engine and operate the machine. If you need more information, see your dealer.

Your dealer can give you assistance with Case Corporation approved service parts. Your dealer has technicians with special training who know the best methods of repair and maintenance for your machine.



A24814

Do not use this machine for any application or purpose other than those described in this manual. If the machine is to be used in an application that involves special attachments or equipment, consult an authorized Case dealer or the Case Corporation. Unauthorized modifications can cause serious injury or death. Anyone making such unauthorized modifications is responsible for the consequences.

TRIM THIS EDGE

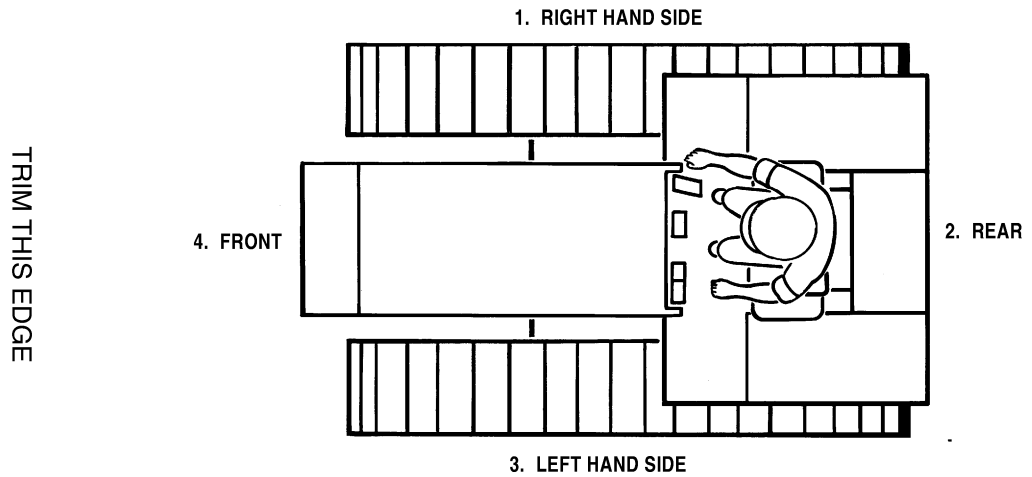
TO THE OWNER _____

AFTER DELIVERY CHECK

Two copies of the After Delivery Check are in the back of this manual. One copy is for you and one copy is for the dealer. Make sure that your dealer does the After Delivery Check after the first 20 hours of machine operation.

RIGHT, LEFT, FRONT, AND REAR SIDES OF THE MACHINE

Right-hand and left-hand, when used in this manual, indicate the right and left sides of the machine as seen from the operators seat.



B830800M

REGULATIONS

NOTE: Local, state and federal laws may regulate the disposal of various fluids used in this equipment, such as, but not limited to, oils and hydraulic, battery and transmission fluids. You should be aware of and comply with any pertinent regulations in order to ensure safe and proper handling and disposal of any regulated fluids.

_____ TO THE OWNER

IDENTIFICATION NUMBER

Write your machine model number, Product Identification Number (P.I.N.) and serial numbers on the lines provided below. If needed, give these numbers to your dealer when you need parts or information for your machine.

Make a record of the numbers. Keep the record and your Manufacturer's Statement of Origin in a safe place. If the machine is stolen, report the numbers to your local law enforcement agency.

MACHINE MODEL NUMBER _____

PRODUCT IDENTIFICATION NUMBER _____

ENGINE SERIAL NUMBER _____

ROPS CAB SERIAL NUMBER _____

ROPS CANOPY SERIAL NUMBER _____

TRANSMISSION SERIAL NUMBER _____

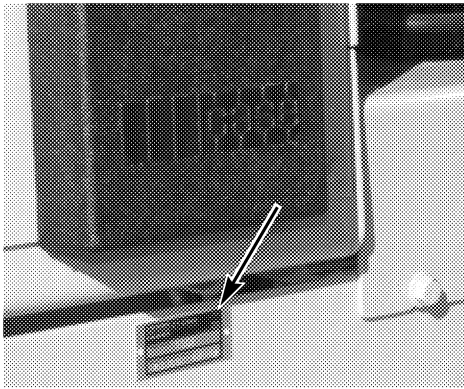
DOZER BLADE SERIAL NUMBER _____

OTHER _____

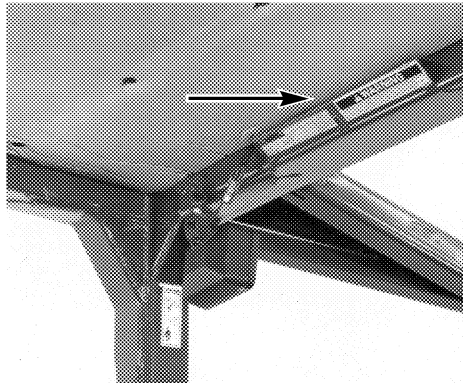
Product Identification Number

(P.I.N.)

ROPS Canopy



A25808

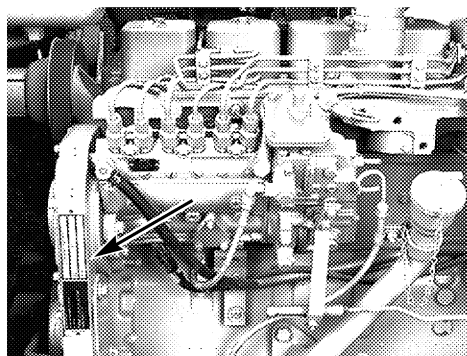


A24770

TRIM THIS EDGE

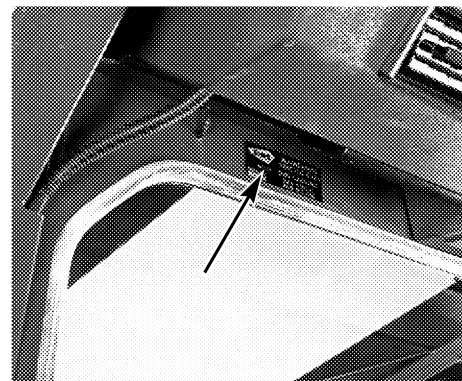
TO THE OWNER _____

ENGINE



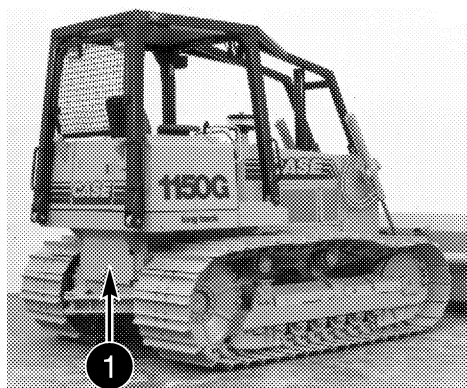
BP96K009

ROPS CAB



B866138V

TRANSMISSION

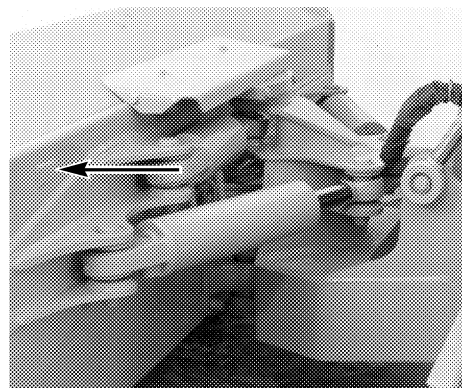


A24814A

TRIM THIS EDGE

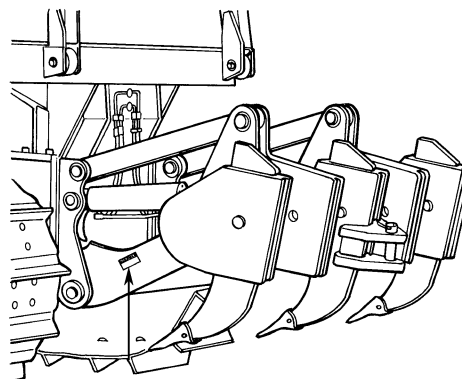
1. Behind Guard

DOZER BLADE



A24787

RIPPER



138L95