

# **855E Crawler**

## **Operators Manual**

**9-19261**

Reprinted








*THIS SAFETY ALERT SYMBOL INDICATES IMPORTANT SAFETY MESSAGES IN THIS MANUAL. WHEN YOU SEE THIS SYMBOL, CAREFULLY READ THE MESSAGE THAT FOLLOWS AND BE ALERT TO THE POSSIBILITY OF PERSONAL INJURY OR DEATH.*

M171B

If Safety Decals on this machine use the words **Danger, Warning or Caution**, which are defined as follows:

- **DANGER:** Indicates an immediate hazardous situation which if not avoided, will result in death or serious injury. The color associated with Danger is RED.
- **WARNING:** Indicates an potentially hazardous situation which if not avoided, will result in serious injury. The color associated with Warning is ORANGE.
- **CAUTION:** Indicates an potentially hazardous situation which if not avoided, may result in minor or moderate injury. It may also be used to alert against unsafe practices. The color associated with Caution is YELLOW.

If Safety Decals on this machine are ISO two panel Pictorial, decals are defined as follows:

- The first panel indicates the nature of the hazard.
- The second panel indicates the appropriate avoidance of the hazard.
- Background color is YELLOW.
- Prohibition symbols such as   and  if used, are RED.



# WARNING

IMPROPER OPERATION OF THIS MACHINE CAN CAUSE INJURY OR DEATH. BEFORE USING THIS MACHINE, MAKE CERTAIN THAT EVERY OPERATOR:

- Is instructed in safe and proper use of the machine.
- Reads and understands the Manual(s) pertaining to the machine.
- Reads and understands ALL Safety Decals on the machine.
- Clears the area of other persons.
- Learns and practices safe use of machine controls in a safe, clear area before operating this machine on a job site.

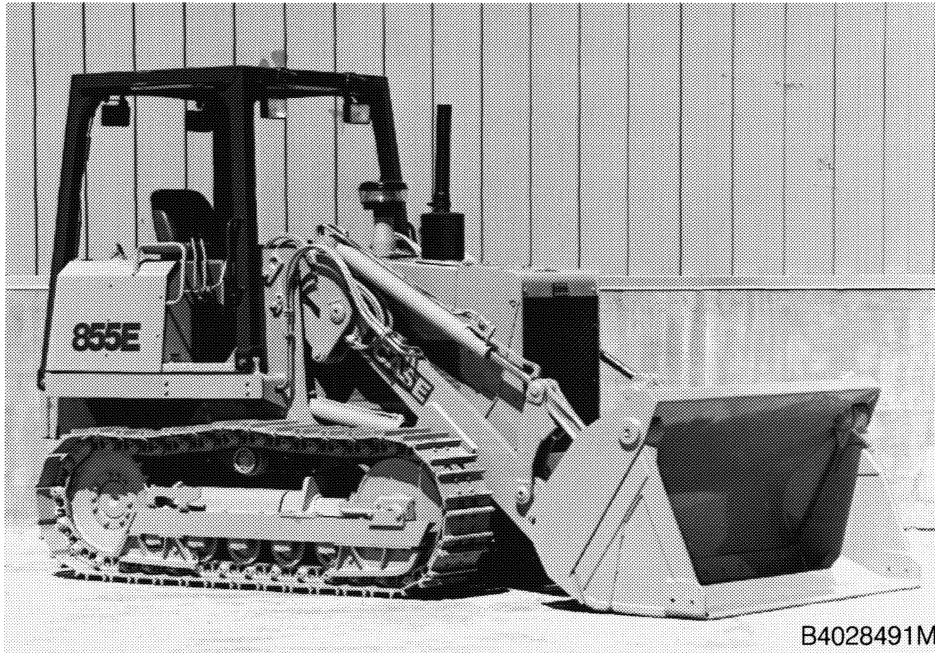
It is your responsibility to observe pertinent laws and regulations and follow Case Corporation instructions on machine operation and maintenance.

## TO THE OWNER

---

Read this manual before you start the engine or operate the machine. If you need more information, see your dealer.

Your dealer can give you assistance with Case Corporation approved service parts. Your dealer has technicians with special training who know the best methods of repair and maintenance for your machine.



Call your dealer if you need help or information.

**NOTE:** *Local, state and national laws may regulate the disposal of various service fluids used in this equipment, such as but not limited to oils, hydraulic, battery and transmission fluids. You should be aware of and comply with any pertinent regulations in order to insure safe and proper handling and disposal of any regulated fluids.*

Rac 9-19261

Issued November, 1991 (Revised October, 1992)

TO THE OWNER \_\_\_\_\_

## AFTER DELIVERY CHECK

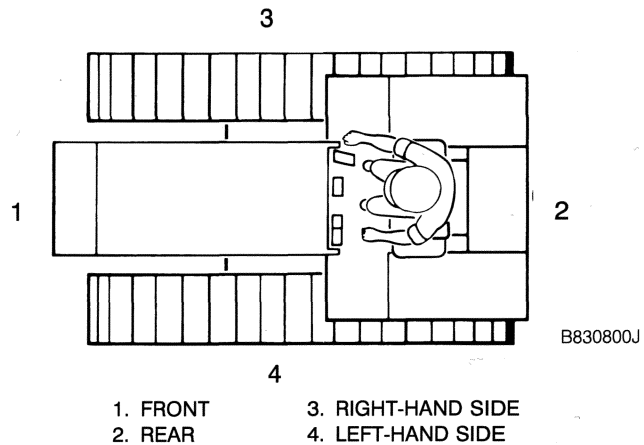
Two copies of the After Delivery Check are in the back of this manual. One copy is for you and one copy is for the dealer. Make sure that your dealer does the After Delivery Check after the first 20 hours of machine operation.

**NOTE:** Your cost for this check will be for filters, oil, or other accessories. If the dealer comes to your machine, there can also be a cost for the time and distance.

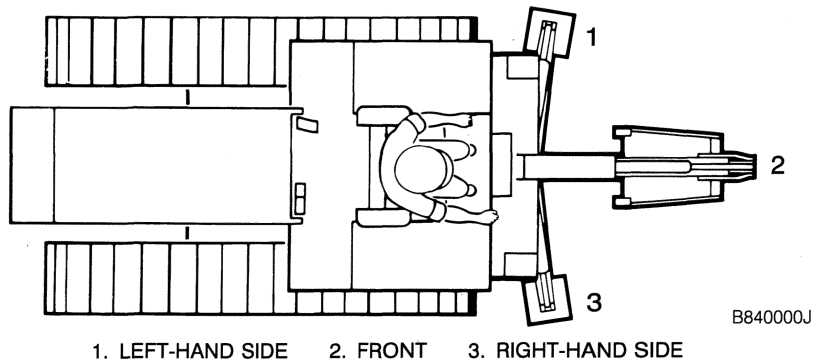
## RIGHT, LEFT, FRONT AND REAR SIDES OF THE MACHINE

Right-hand and left-hand, when used in this manual, indicate the right and left sides of the machine as seen from the operators seat.

### Basic Machine, Loader and Ripper



### Backhoe



IDENTIFICATION NUMBERS/MACHINE COMPONENTS \_\_\_\_\_

### IDENTIFICATION NUMBERS

Write your machine model number, Product Identification Number (P.I.N.) and serial numbers on the lines provided below. If needed, give these numbers to your dealer when you need parts or information for your machine.

Make a record of the numbers. Keep the record and your Manufacturer's Statement of Origin in a safe place. If the machine is stolen, report the numbers to your local law enforcement agency.

MACHINE MODEL NUMBER 855E

PRODUCT IDENTIFICATION NUMBER \_\_\_\_\_

ENGINE SERIAL NUMBER \_\_\_\_\_

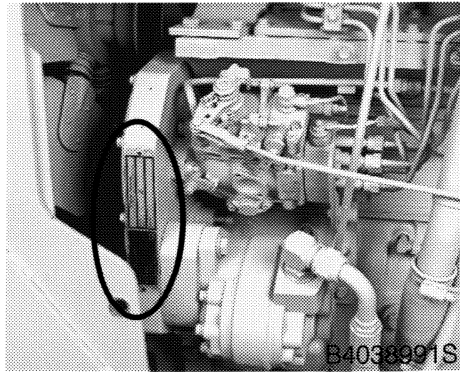
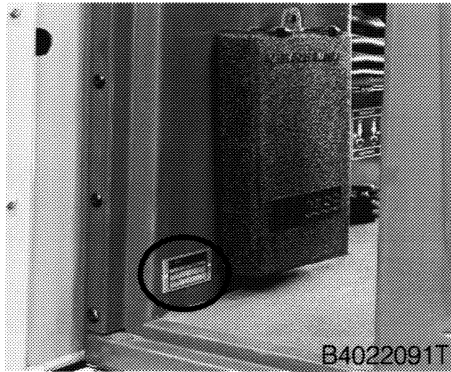
TRANSMISSION SERIAL NUMBER \_\_\_\_\_

TORQUE CONVERTER SERIAL NUMBER \_\_\_\_\_

ROPS CANOPY SERIAL NUMBER \_\_\_\_\_

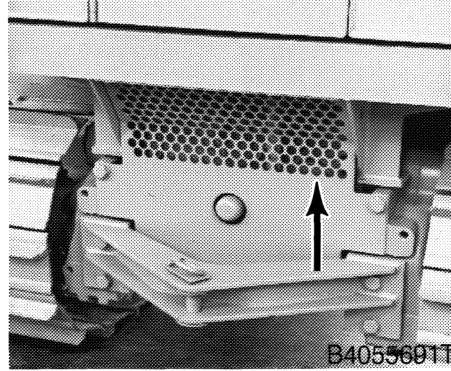
ROPS CAB SERIAL NUMBER \_\_\_\_\_

**Product Identification Number (P.I.N.)**      **Engine**

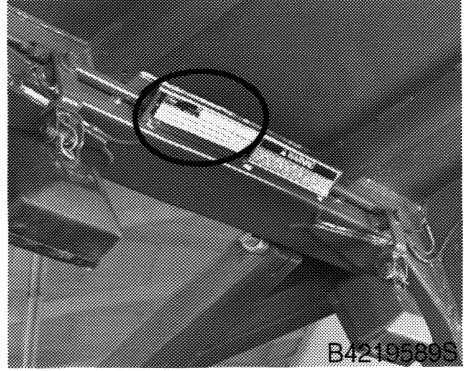


**IDENTIFICATION NUMBERS**

**Transmission**



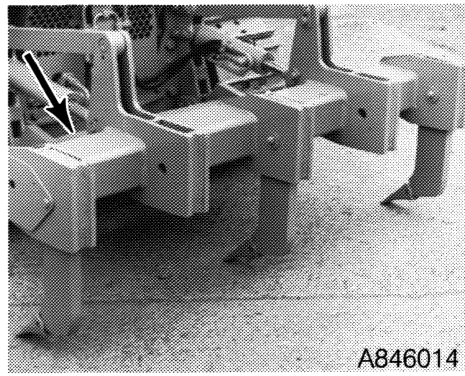
**ROPS Canopy**



**ROPS Cab**



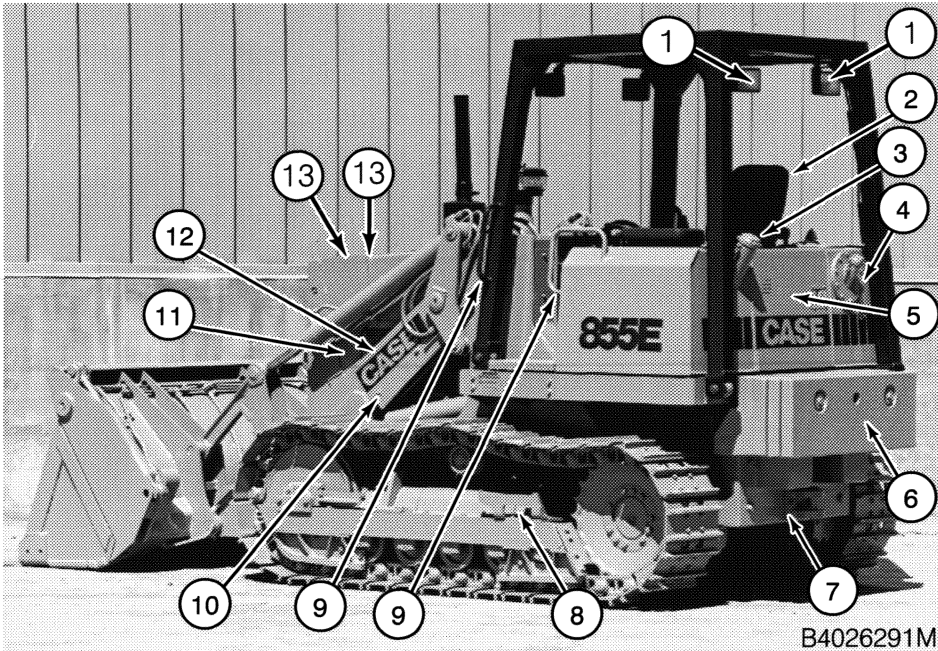
**Ripper**



## GENERAL TABLE OF CONTENTS

Safety/Decals/Hand Signals.....	9
Instruments/Controls .....	25
Operating Instructions.....	48
Lubrication/Maintenance Charts .....	101
Lubrication/Filters/Fluids .....	109
Maintenance/Adjustments.....	138
Electrical System.....	147
Machine Storage.....	151
Specifications .....	153
After Delivery Check.....	165
Detail Index.....	168

IDENTIFICATION NUMBERS/MACHINE COMPONENTS



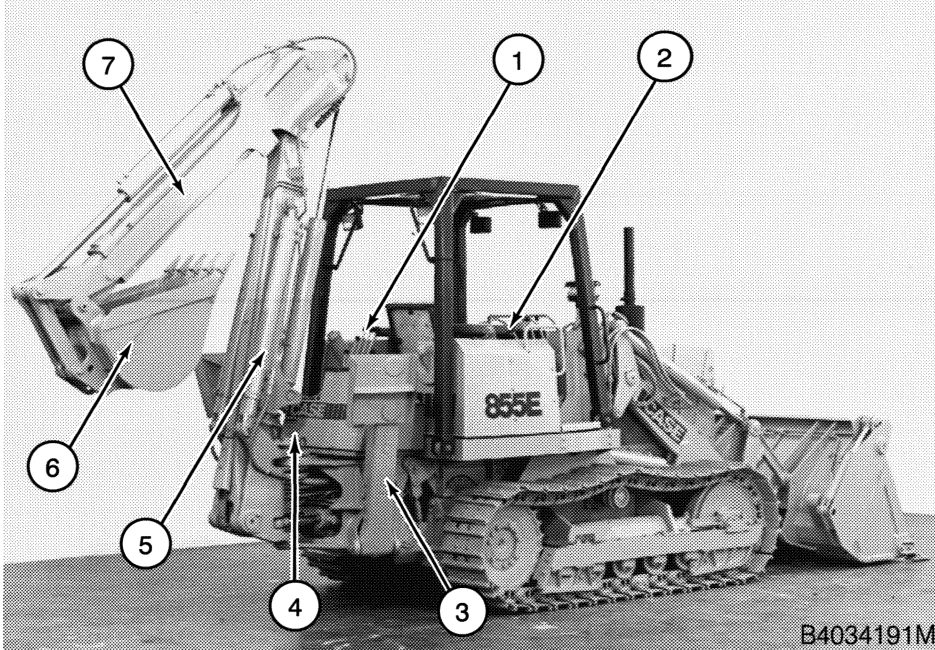
B4026291M

- |                             |                             |
|-----------------------------|-----------------------------|
| 1. WORKING LAMPS            | 8. STEP                     |
| 2. OPERATORS SEAT           | 9. HAND RAILS               |
| 3. FUEL FILL                | 10. LIFT ARM SUPPORT STRUT  |
| 4. HYDRAULIC RESERVOIR FILL | 11. LEFT ENGINE COMPARTMENT |
| 5. REAR ACCESS DOOR         | 12. LOADER LIFT ARM         |
| 6. COUNTERWEIGHT            | 13. TOP ACCESS DOORS        |
| 7. DRAWBAR                  |                             |



IDENTIFICATION NUMBERS/MACHINE COMPONENTS \_\_\_\_\_

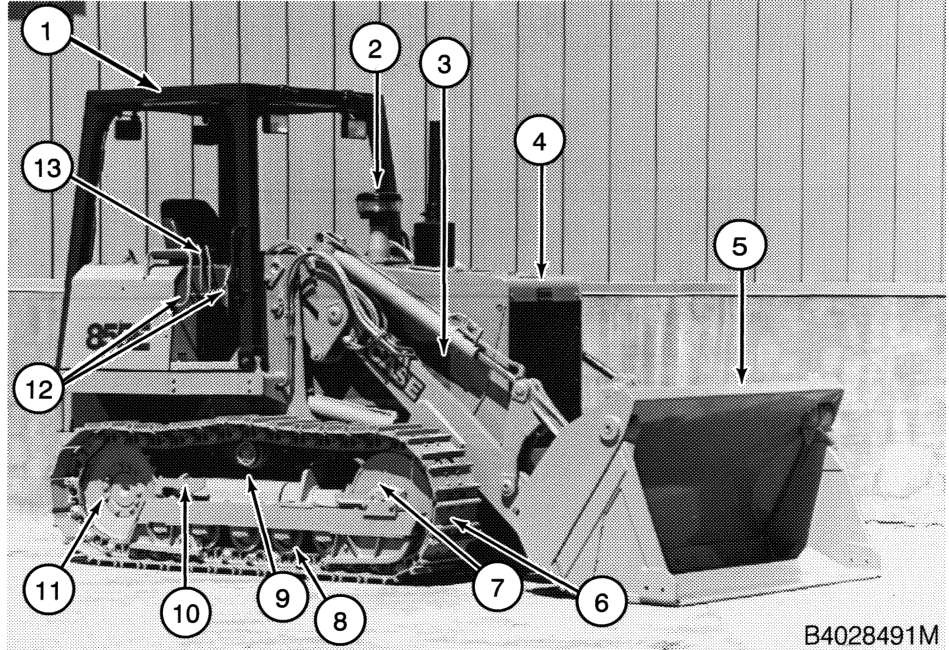
## Backhoe



- |                                    |                      |
|------------------------------------|----------------------|
| 1. BACKHOE CONTROLS                | 5. BOOM              |
| 2. HYDRAULIC OIL TEMPERATURE GAUGE | 6. BUCKET            |
| 3. STABILIZER                      | 7. EXTENDABLE DIPPER |
| 4. SWING LOCK PIN                  |                      |

IDENTIFICATION NUMBERS/MACHINE COMPONENTS \_\_\_\_\_

MACHINE COMPONENTS



- |                             |                              |
|-----------------------------|------------------------------|
| 1. ROPS CANOPY              | 8. TRACK ROLLER              |
| 2. AIR INTAKE PRECLEANER    | 9. TRACK CARRIER ROLLER      |
| 3. RIGHT ENGINE COMPARTMENT | 10. STEP                     |
| 4. RADIATOR CAP             | 11. DRIVE SPROCKET           |
| 5. LOADER 4-IN-1 BUCKET     | 12. HAND RAILS               |
| 6. TRACK CHAIN              | 13. EQUIPMENT CONTROL LEVERS |
| 7. IDLER                    |                              |