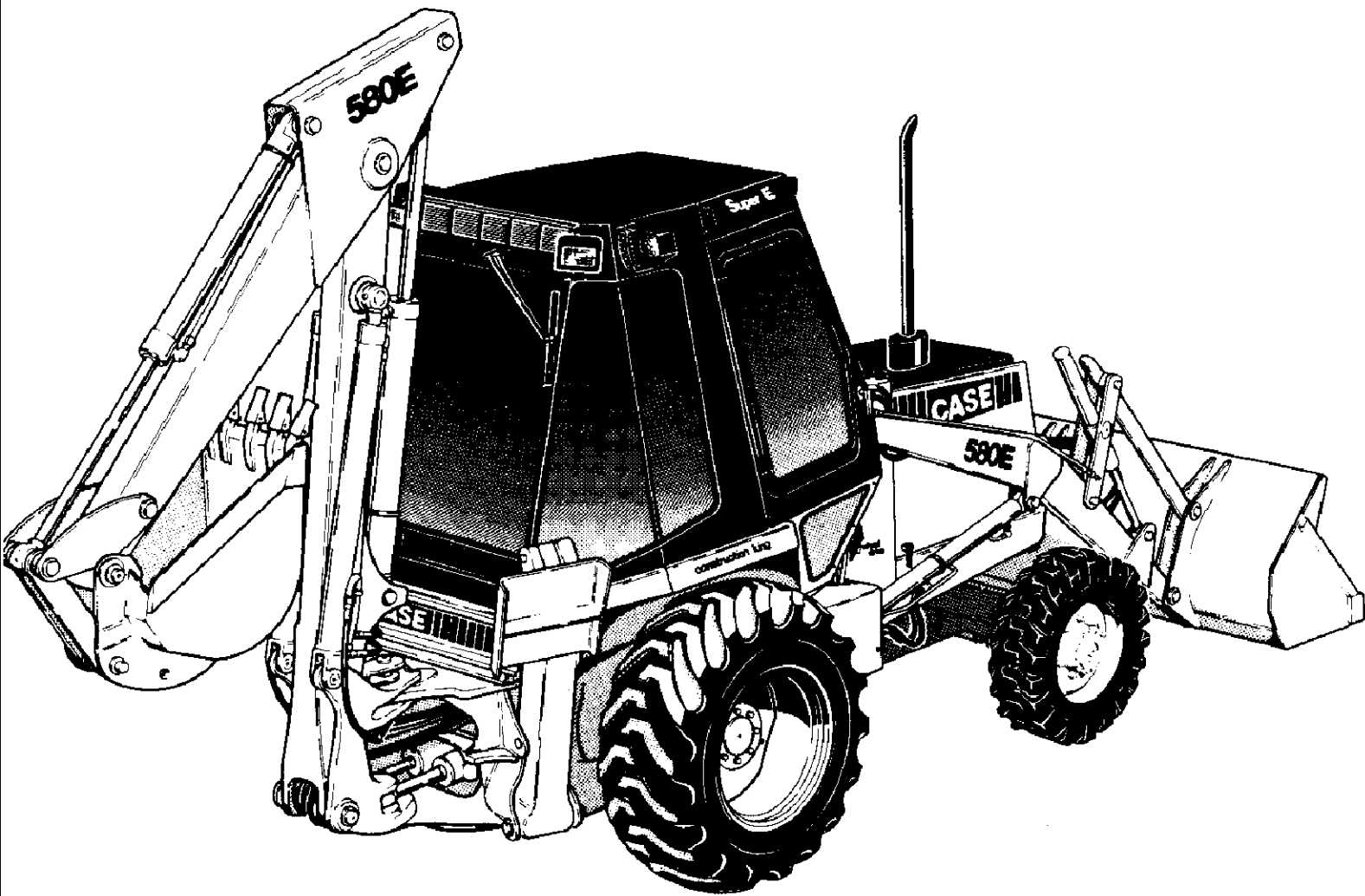


**REVISION RECORD LOG**

REVISION NO.	DATE INSERTED
1.	
2.	
3.	
4.	
5.	

**580 SUPER E  
CONSTRUCTION KING  
LOADER BACKHOE**  
Parts Catalog 8-1833

**NOTE:** Discard Parts Catalog 8-1832.



**J I Case**  
A Tenneco Company



Issued December, 1986

Printed in U.S.A.  
830548A

001 REVISION RECORD LOG

Ref	Part Number	Qty	Description

# GENERAL INFORMATION

## Indexes

This parts catalog is arranged for easy identification on parts. The Alphabetical Index at the front of the catalog gives location of major groups and assemblies. The Numerical Index at the rear of the catalog gives part numbers and the page on which they are listed.

## Abbreviations and Terms

PIN - Product Identification Number.  
 SN - Serial Number.  
 NSS - Not sold separately.  
 REF - Reference. Used to clarify drawing.  
 RESERVED - No item listed.  
 UAR - Use as required.

## Changes

When changes are made to the machine, revised pages for this catalog will be issued. These pages must be inserted into your catalog as soon as they are received. Failure to keep your catalog up to date will result in confusion and may cause you to order wrong parts.

## Orders

Orders should specify correct part number, full description, quantity required, machine and engine model, machine and engine serial numbers, method of shipment and shipping address.

## Right-Hand and Left-Hand Sides

The terms right-hand and left-hand (abbreviated to RH and LH) as used in this catalog indicate the right and left sides of the machine as viewed by the operator in the normal operating position for proper operation of the machine or attachment.

## U.S. and Metric Units

Sizes, lengths, and dimensions are given in U.S. units followed by its equivalent in metric units. See item 8 below. Sizes of hardware (bolts, nuts, etc.) are given according to hardware type --- in inches for U.S. hardware; in millimeter for metric hardware. See items 9 and 10.

## Description, Quantity and Machinery Items

All parts are briefly described under DESCRIPTION. The quantity used is listed under REQ'D. Notice in the example below that the description of some items is moved in (indented) from the left-hand margin. An indented item is part of the item under which it is indented. The example shows that one hydraulic oil filter is used on the machine. Each filter contains one head assembly, one element kit, and one housing (indented items with no reference numbers and item 6). The head assembly and kit are further divided to show individual part (items 2, 3, 4 & 5).

Machinery items must be ordered from the Machinery Price List. See item 7 in the example.

REF.	PART NO.	DESCRIPTION	REQ'D
1	D 43567	FILTER ASSEMBLY - hydraulic oil .....	1
	D 61903	HEAD ASSEMBLY - filter .....	1
2	NSS	HEAD - filter .....	1
3	D 58199	VALVE - bypass .....	1
	D 43800	KIT - filter element .....	1
4	NSS	ELEMENT - filter .....	1
5	A 27994	O-RING - filter .....	1
6	D 42439	HOUSING - filter .....	1
7	REF	CANOPY - ROPS, machinery item, see page 2 for ordering .....	2
8	R 42849	HOSE - from upper valve port, 38" (965 mm) long .....	1
9	13- 728	BOLT - hex head, 7/16" - 14 NC x 1-3/4" .....	2
10	814- 8030	BOLT - hex head, 8 mm - 1.25 x 30 mm (8.8) .....	2

002 GENERAL INFORMATION

Ref	Part Number	Qty	Description

# PARTS ORDERING INFORMATION FOR FRENCH, GERMAN, ITALIAN AND SWEDISH SPEAKING COUNTRIES

3

## COMMANDE DE PIÈCES DE RECHANGE

Ce catalogue Pièces Rechange est conçu pour une identification facile de toutes les pièces CASE d'origine. Situé au début du catalogue, un répertoire permet de localiser rapidement les principaux groupes ou montages. A la fin du catalogue, un index numérique de pièces de rechange précise la page sur laquelle chacune des pièces est décrite.

Les pièces sont mentionnées par ordre du numéro de référence suivies du numéro de la pièce, de la description et de la quantité nécessaire. Les quantités mentionnées sous la rubrique « Quantité » correspondent à la quantité nécessaire pour former des assemblages ou des sous-ensembles.

Toutes les pièces sont illustrées sur des dessins éclatés montrant les pièces individuellement les unes par rapport aux autres. Les numéros de référence correspondent aux numéros des pièces sur les vues éclatées. Ces chiffres se rapportent à ceux de la rubrique « Chiffre de référence » qui sont suivis par le numéro de la pièce et sa description.

Toutes les commandes doivent spécifier exactement le numéro correct de la pièce, sa description, la quantité nécessaire, le type et le NUMERO DU MATERIEL, le mode d'expédition et l'adresse du destinataire.

Pour être sûr que votre commande de pièces correspond à vos besoins, vérifiez l'illustration et la description dans le catalogue avec la pièce à commander.

## BESTELLUNG VON ERSATZTEILEN

Diese Ersatzteilliste ist so zusammengestellt, dass alle Original—CASE—Ersatzteile leicht identifiziert werden koennen. Vorn ist ein Inhaltsverzeichnis nach Baugruppen und Bauteilen angeordnet, welches das Auffinden der Teile erleichtert. Hinten am Schluss der Liste befindet sich ein fortlaufendes Verzeichnis der Ersatzteilnummern, in dem der betreffenden Ersatzteilnummer jeweils die Seitennummer gegenübersteht, auf der das Teil verzeichnet ist.

Im Ersatzteilverzeichnis befindet sich vor der Ersatzteilnummer eine laufende Nummer, die auch auf der Abbildung wiederholt wird, daneben die Ersatzteilnummer, die Bezeichnung des Teils und die davon benötigte Stückzahl für die betreffende Baugruppe.

Alle Teile sind in Zerlegt-Darstellung so abgebildet, dass sie in ihrem natürlichen Zusammenhang mit den anderen Teilen erkennbar sind, und werden mit der « laufenden Nummer » des Ersatzteilzeichnisses bezeichnet, um ihre Auffindung zu erleichtern.

Alle Ersatzteil-Aufträge müssen deutlich die richtige Ersatzteilnummer, die genaue Beschreibung, die benötigte Anzahl von Teilen, Modell und NUMMER des traktors, die gewünschte Versandart und die Versandadresse enthalten.

Das benötigte Teil muss sorgfältig mit der Abbildung und der Beschreibung verglichen werden, damit die in Auftrag gegebenen Teile auch richtig bestellt sind.

## ORDINI DI PEZZI

Questo libro di pezzi è disposto in modo da permettere facilmente una identificazione di tutti gli Autentici Pezzi CASE Impiegati. Un indice è fornito sulla facciata del catalogo dei pezzi per individuare i principali gruppi o montaggi. Un indice numerico alla fine del catalogo dei pezzi indica la pagina in cui ciascun pezzo numerato è descritto.

I pezzi sono elencati in ordine di numero di riferimento seguito dal numero del pezzo, descrizione, e quantitativo richiesto. I quantitativi indicati nella colonna « Quantitativo richiesto » rappresentano il numero di pezzi richiesto per comporre uno dei precedenti Montaggi o Sotto- Montaggi.

Tutti i pezzi sono illustrati in « Prospetti Sviluppati » che mostrano i singoli pezzi e la loro relazione normale tra di loro. I numeri di riferimento sono indicati nella illustrazione. Questi numeri corrispondono a quelli nella colonna « Numero di Riferimento » e sono seguiti dal numero del pezzo e la descrizione.

Tutti gli ordini devono specificare chiaramente il preciso numero del pezzo, completa descrizione, quantitativo richiesto, modello e NUMERO DELLA SERIE della trattrice, metodo di spedizione e indirizzo della spedizione.

Controllate l'illustrazione e la descrizione con il pezzo richiesto, per assicurarvi che i pezzi ordinati sono giusti.

## BESTÄLLNING AV RESERVDLAR

Denna reservdelkatalog har getts en speciell uppställningsform för att förenkla identifieringen av alla äkta CASE reservdelar. Ett register finns i början av katalogen upptagande de olika större grupperna och enheterna. En reservdelsnummerförteckning i slutet av katalogen anger vilken sida de olika detaljerna förekomma på.

De olika reservdelarna anges i referensnummerordning åtföljda av reservdelsnumret, beskrivning och antal. Antalet, som anges i kolumnen « Quantity Required », är det antal som ingår i enheten i fråga.

Alla reservdelsavbildas i språngbilder i sina inbördes lagen. Referensnumren anges på språngbilderna. De framga också av kolumnen « Reference Number » där de åtföljas av beskrivning och reservdelsnummer.

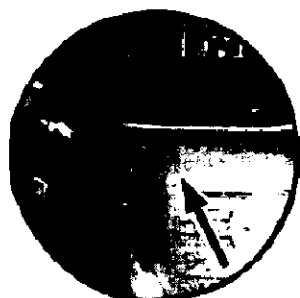
Reservdelbeställningar skall upptaga korrekt reservdelsnummer, beskrivning, beställt antal, modell och serienummer på maskinen, transportsätt och mottagarens adress.

Kontrollera noga att bild och beskrivning motsvara den önskade detaljen så att misstag undvikas.

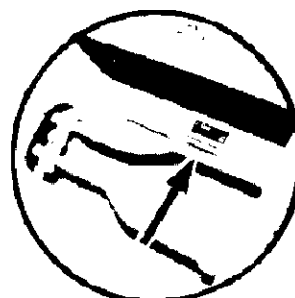
Ref	Part Number	Qty	Description

4

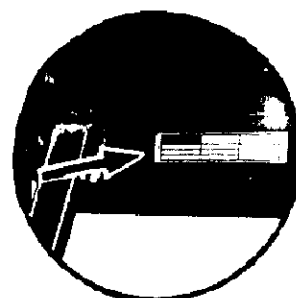
### 580 SUPER E CONSTRUCTION KING LOADER BACKHOE LOCATION OF SERIAL NUMBERS AND PRODUCT IDENTIFICATION NUMBER



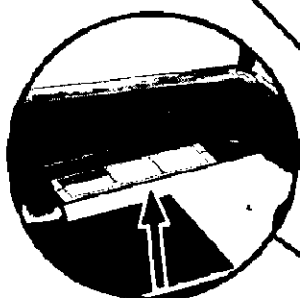
PRODUCT IDENTIFICATION NUMBER



PART NUMBER AND SN OF 4-IN-1 BUCKET



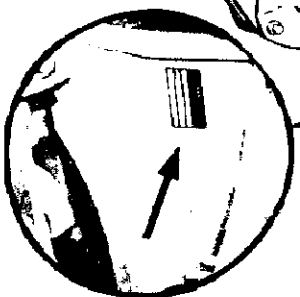
SN OF ROPS CANOPY



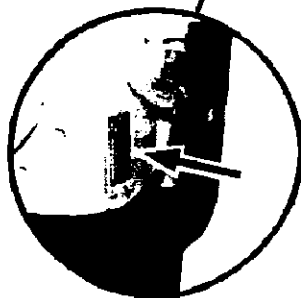
SN OF ROPS CAB



PART NUMBER OF STANDARD BUCKET



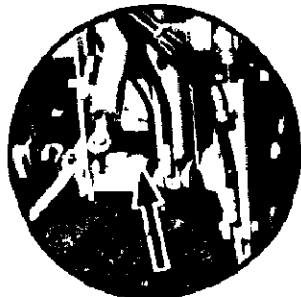
SN OF BACKHOE



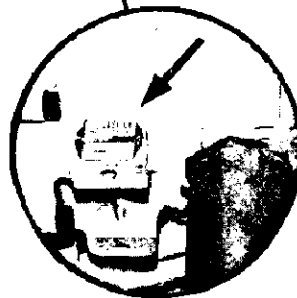
SN OF TRANSAXLE



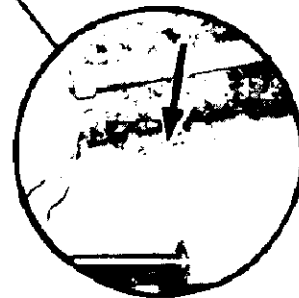
SN OF ENGINE



SN OF THREE-POINT HITCH



SN OF POWER SHUTTLE



SN OF FRONT DRIVE AXLE

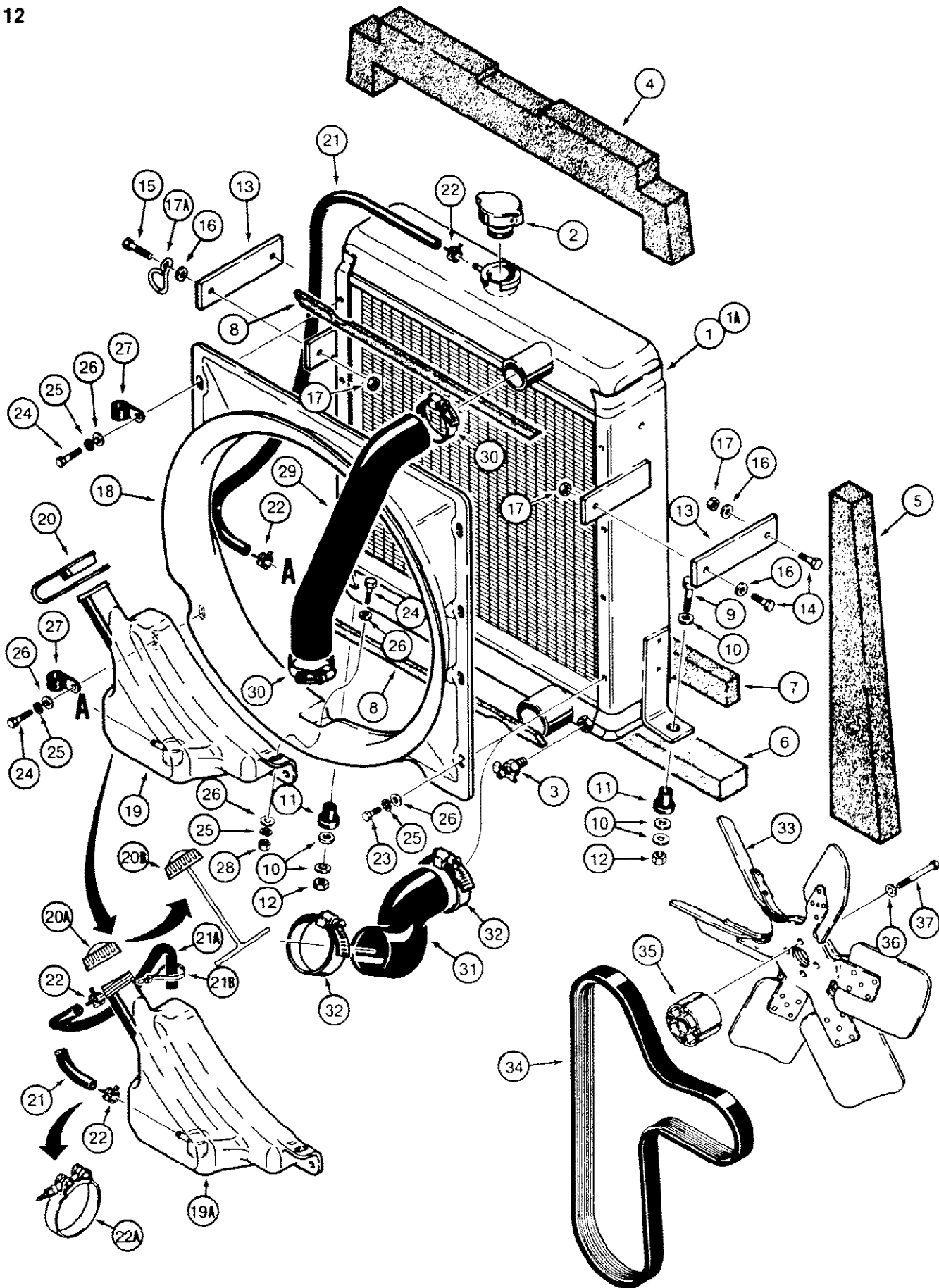
004 LOCATION OF SERIAL NUMBERS AND PRODUCT IDENTIFICATION NUMBER

Ref	Part Number	Qty	Description





12



## 580SE CASE SUPER-E CONSTRUCTION KING LOADER BACKHOE - Engine

## 012 RADIATOR, FAN, AND MOUNTING PARTS

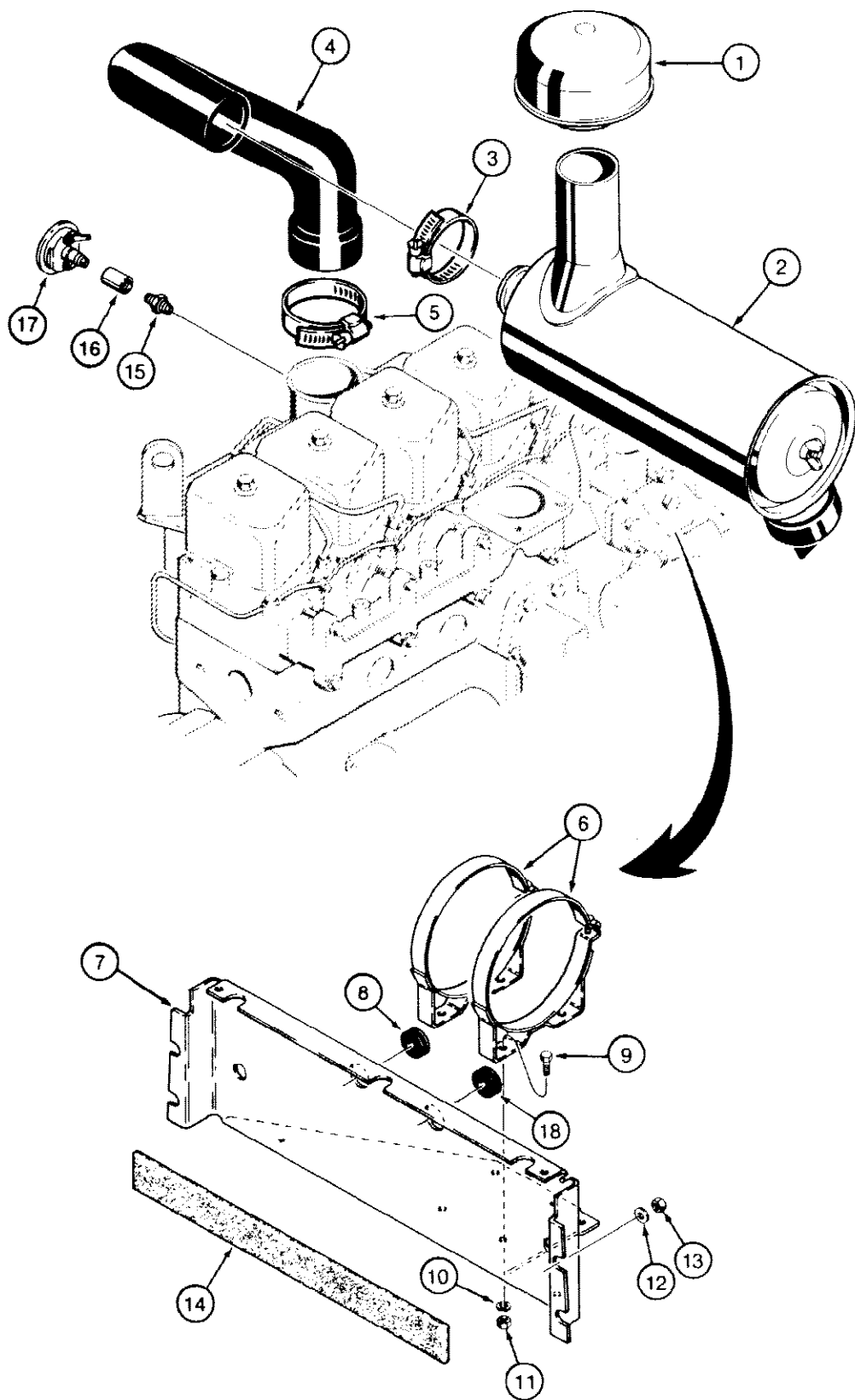
Ref	Part Number	Qty	Description
1	A171080	1	RADIATOR engine cooling, models with air conditioning
1A	A171356	1	RADIATOR engine cooling, models without air conditioning
2	A170241	1	CAP filler, radiator, 15 psi
3	217-92	1	VALVE drain
4	REF	1	BAFFLE radiator, top, cut from D92228, see below, base size is 5-5/16" (135 mm) x 24-5/8" (625 mm)
5	REF	2	BAFFLE radiator, sides, cut from D92228, see below, base size is 3-3/4" (95 mm) x 22-1/4" (565 mm)
7	REF	1	BAFFLE radiator, lower front, cut from D92228, see below, base size is 1" (25 mm) x 25-3/16" (640 mm)
8	A173165	2	SEAL radiator, upper and lower
9	113-233	2	BOLT, Hex, 3/8"-16 x 1 3/4", G5
10	D52275	6	WASHER flat, special
11	D52276	2	INSULATOR vibration, rubber
12	131-52	2	NUT hex, self locking, plated, 3/8" - 16 NC
13	A170665	2	STRAP radiator, mounting, side
14	113-208	3	BOLT, Hex, 3/8"-16 x 1 1/4", G5, Full Thd
15	113-209	1	BOLT, Hex, 3/8"-16 x 1 1/2", G5
16	195-104	4	WASHER flat, plated, 3/8"
17	131-52	4	NUT hex, self locking, plated, 3/8" - 16 NC
17A	D125868	1	SUPPORT mechanical tachometer drive cable to radiator, if used
18	A171002	1	SHROUD radiator
19	A171518	1	RESERVOIR coolant recovery bottle, used with A171177 cap, item 20, if used
19A	A171805	1	RESERVOIR coolant recovery bottle, used with A171775 cap, item 20A, or A184079 tethered cap, item 20B, if used
20	A171177	1	CAP snap on, reservoir, used with A171518 reservoir, item 19, if used
20A	A171775	1	CAP screw on, reservoir, used with A171805 reservoir, item 19A, no longer used, order A184079 tethered cap
20B	A184079	1	CAP tethered, screw on, reservoir, used with A171805 reservoir, if used
21	A171019	1	HOSE radiator to reservoir
21A	D128547	1	HOSE coolant overflow, used with A171805 reservoir, if used
21B	L18337	1	STRAP tie, nylon, 15 inch
22	A171099	2-3	CLAMP hose
22A	214-335	1	CLAMP narrow worm drive, hose
	D92228	1	BAFFLE bulk pad, 35-1/2" (900 mm) x 55-1/8" (1400 mm) x 1-1/2" (38 mm) use to cut items 4 - 7, not shown
	345-44	1	ADHESIVE spray can, for attaching foam pads to metal surface, not shown
23	814-8016	6	BOLT hex head, plated, 8 mm - 1.25 x 16 mm (8.8)
24	814-8030	3	BOLT - hex head, plated, 8 mm - 1.25 x 30 mm (8.8)
25	192-20	9	WASHER, LOCK, 5/16"
26	195-103	10	WASHER flat, plated, 5/16"
27	49768	2	CLAMP p type
28	825-1108	1	NUT hex, plated, 8 mm - 1.25

## 580SE CASE SUPER-E CONSTRUCTION KING LOADER BACKHOE - Engine

## 012 RADIATOR, FAN, AND MOUNTING PARTS

Ref	Part Number	Qty	Description
29	A170431	1	HOSE radiator, upper
30	214-259	2	CLAMP upper hose
31	A170632	1	HOSE radiator, lower
32	214-261	2	CLAMP lower hose
33	A171552	1	FAN suction, six blade, double spider
34	J903099	1	BELT fan, v ribbed
	D101856	1	KIT, spacer, fan, Includes: Ref. 35 - 37
35	A172589	1	SPACER fan
36	H426775	4	WASHER flat, hardened, plated
37	827-8080	4	BOLT, hex 8 - 1.25 x 80 mm, class 10.9

16

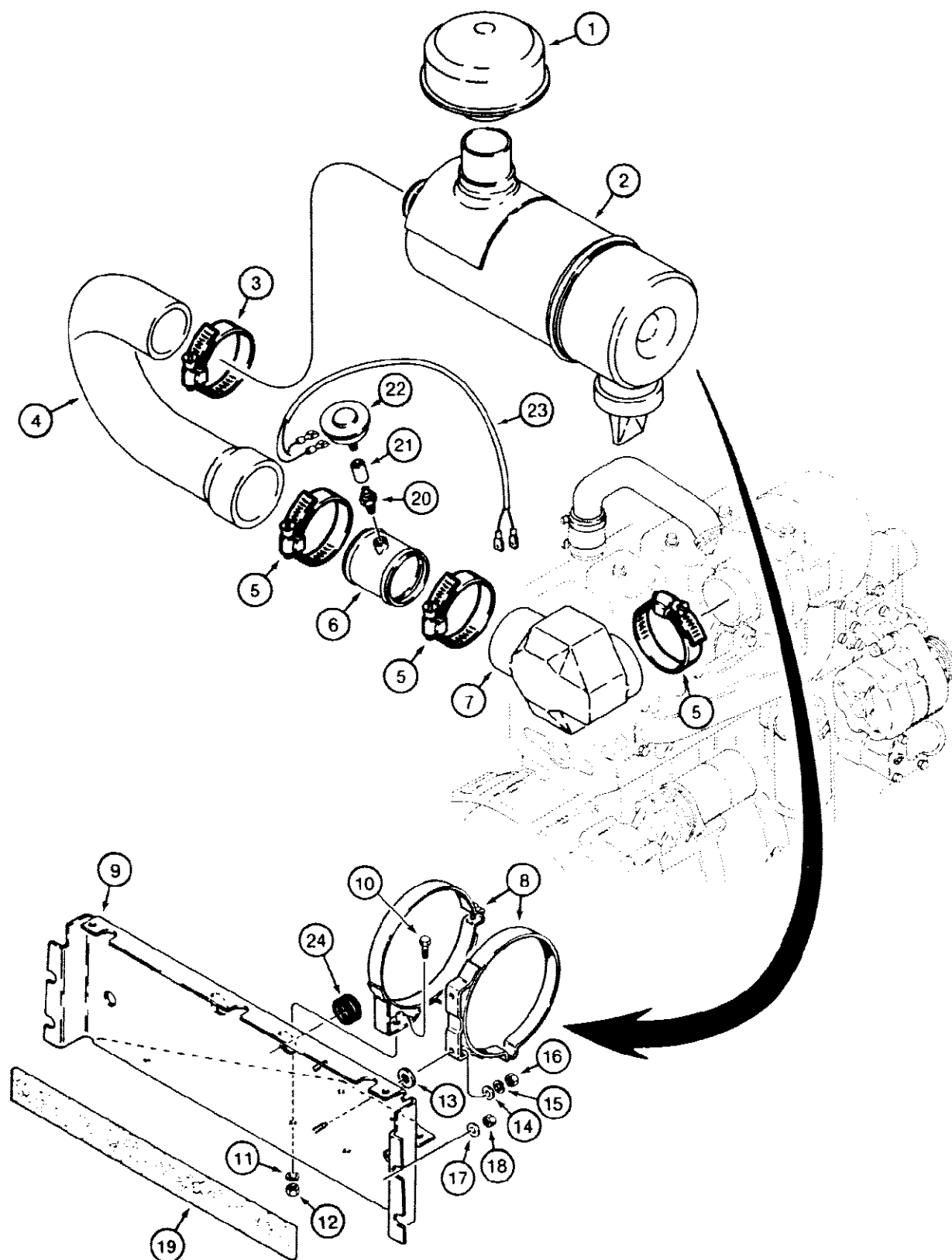


## 580SE CASE SUPER-E CONSTRUCTION KING LOADER BACKHOE - Engine

## 016 AIR CLEANER AND AIR INTAKE PARTS, MODELS WITHOUT TURBOCHAGED ENGINE

Ref	Part Number	Qty	Description
1	A61277	1	CAP air cleaner
2	A170974	1	AIR CLEANER engine, parts list Figure 20
3	214-262	1	CLAMP hose to air cleaner
4	D126494	1	HOSE air cleaner
5	214-265	1	CLAMP hose to engine
6	L113910	2	BAND air cleaner mounting
7	D127281	1	BRACKET air cleaner mounting
8	F37765	1	GROMMET mechanical tachometer drive cable to air cleaner bracket, if used
9	113-206	4	BOLT, Hex, 3/8"-16 x 3/4", G5, Full Thd
10	192-21	4	WASHER, LOCK, 3/8"
11	129-103	4	NUT, 3/8"-16, G5
12	195-524	4	WASHER flat, plated, 3/8" ID x 1-1/8" OD
13	131-4	4	NUT hex, self locking, 5/16" - 18 NC
14	D83436	1	STRIP sponge rubber
15	D36264	1	FITTING AND FILTER ASSEMBLY, air restriction indicator
16	221-1335	1	COUPLING, 1/8" NPT
17	L103131	1	SENDER air filter restriction indicator
18	F37765	1	GROMMET harness wire to hydraulic oil filter

18



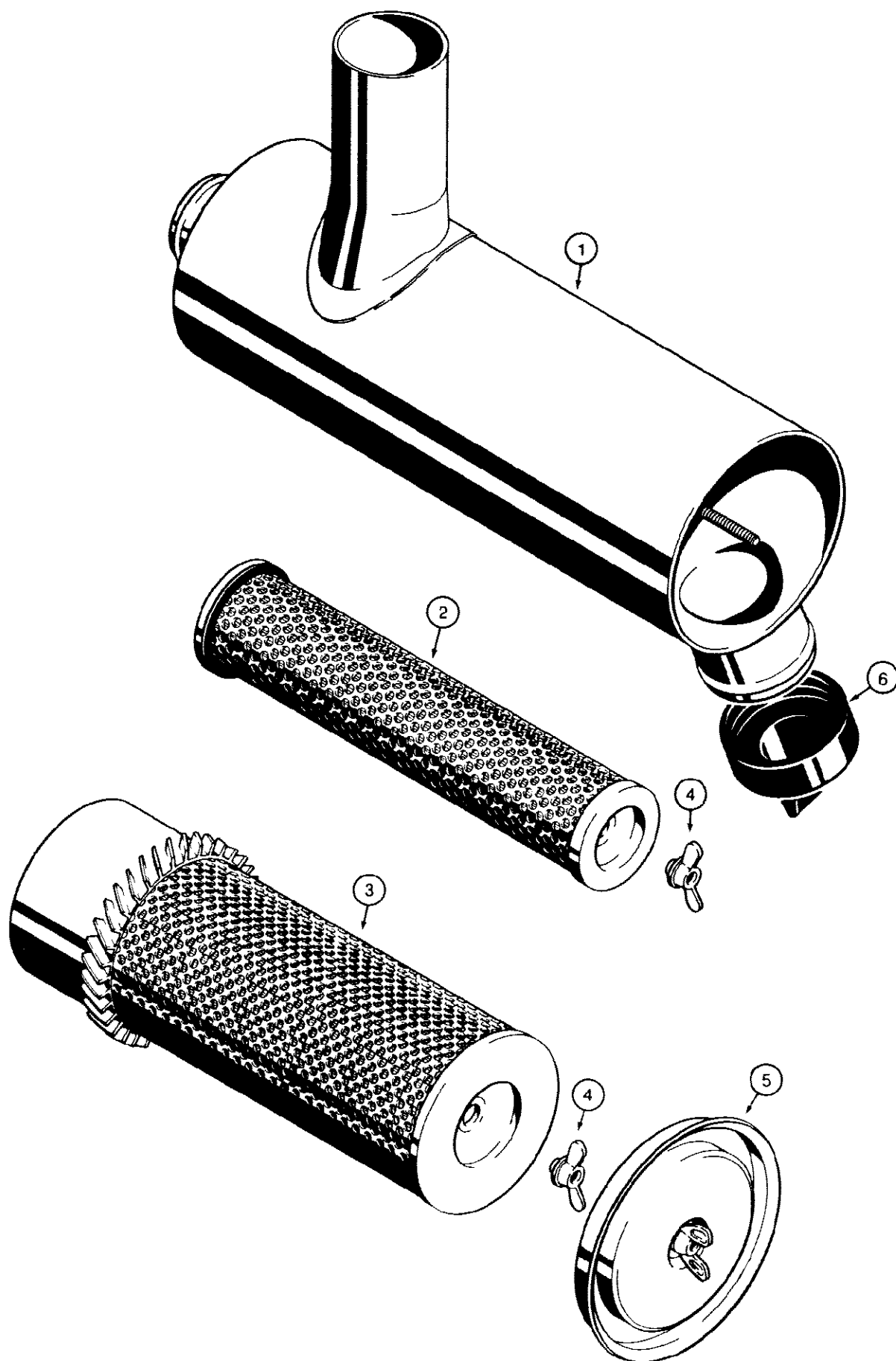
## 580SE CASE SUPER-E CONSTRUCTION KING LOADER BACKHOE - Engine

## 018 AIR CLEANER AND AIR INTAKE PARTS, MODELS WITH TURBOCHARGED ENGINE

Ref	Part Number	Qty	Description
1	A61277	1	CAP air cleaner
2	A172256	1	AIR CLEANER engine, parts list Figure 22
3	214-264	1	CLAMP hose to air cleaner
4	D133679	1	HOSE air cleaner
5	214-265	3	CLAMP hose
6	D132805	1	ADAPTER coupling, air restriction
7	A172545	1	HOSE elbow
8	L11247	2	BAND air cleaner mounting
9	D133220	1	BRACKET air cleaner mounting
10	113-206	2	BOLT, Hex, 3/8"-16 x 3/4", G5, Full Thd
11	192-21	2	WASHER, LOCK, 3/8"
12	129-103	2	NUT, 3/8"-16, G5
13	195-533	2	WASHER flat, plated, 1/2"
14	195-521	2	WASHER flat, plated, 5/16"
15	192-20	2	WASHER, LOCK, 5/16"
16	9635082	2	NUT, 5/16"-18, G5
17	195-524	4	WASHER flat, plated, 3/8" ID x 1-1/8" OD
18	131-4	4	NUT hex, self locking, 5/16" - 18 NC
19	D83436	1	STRIP sponge rubber
20	D36264	1	FITTING AND FILTER ASSEMBLY, air restriction indicator
21	221-1335	1	COUPLING 1/8" NPT
22	L103131	1	SENDER air filter restriction indicator
23	D133266	1	WIRE jumper, to engine harness
24	F37765	1	GROMMET harness wire to hydraulic oil filter



20

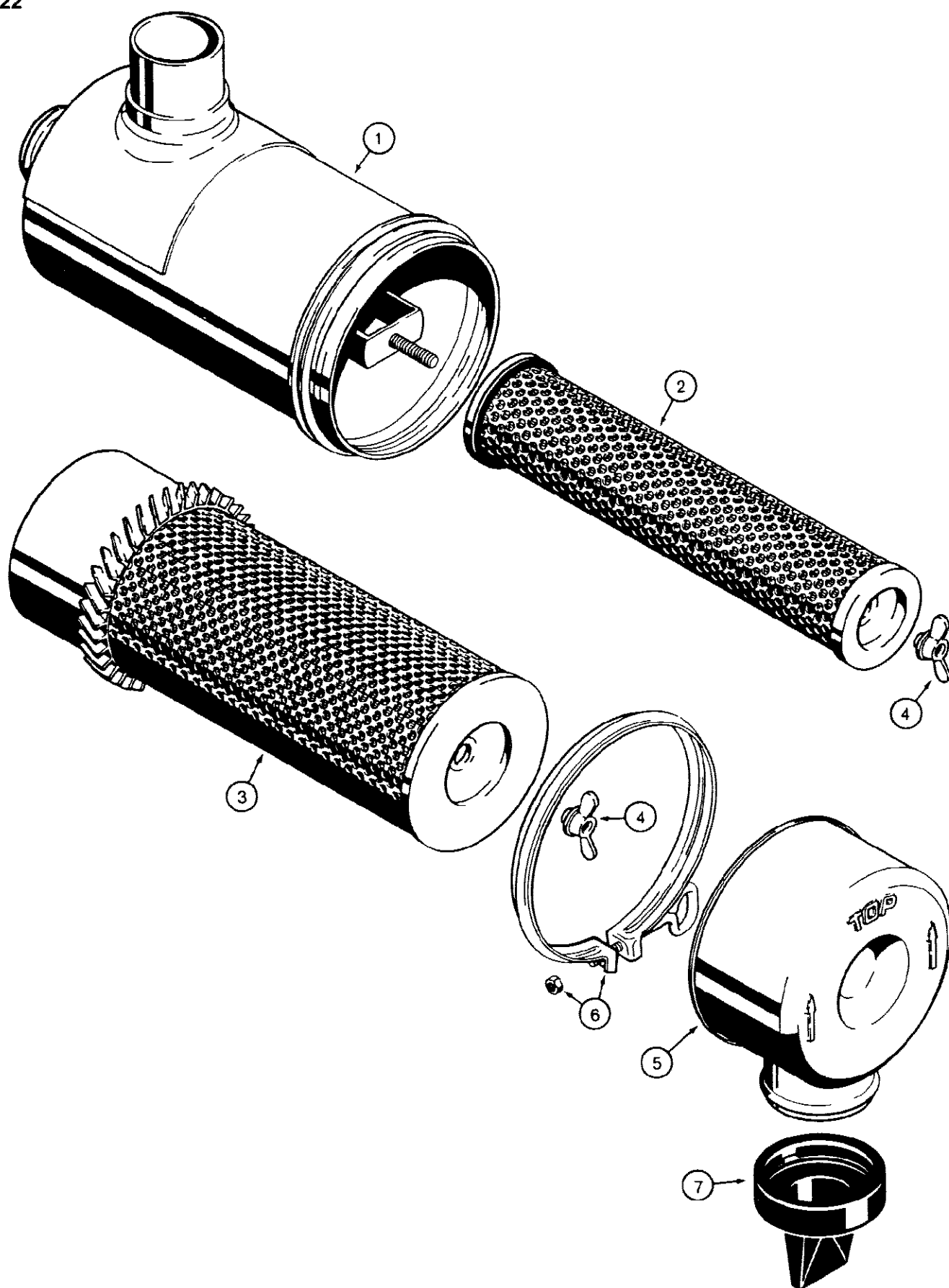


580SE CASE SUPER-E CONSTRUCTION KING LOADER BACKHOE - Engine

020 A170974 AIR CLEANER, MODELS WITHOUT TURBOCHARGED ENGINE

Ref	Part Number	Qty	Description
	A170974	1	AIR CLEANER ASSEMBLY, engine, Includes: Ref. 1 - 6
1	NSS	1	HOUSING air cleaner
2	N6777	1	ELEMENT secondary
3	N6778	1	ELEMENT primary
4	D78354	2	NUT wing, element and cover
5	N6779	1	COVER end
6	S113982	1	VALVE dust, rubber

22



Ref	Part Number	Qty	Description
	A172256	1	AIR CLEANER ASSEMBLY, engine, Includes: Ref. 1 - 7
1	NSS	1	HOUSING air cleaner
2	A173291	1	ELEMENT secondary
3	A173290	1	ELEMENT primary
4	D78354	2	NUT wing, element
5	NSS	1	COVER end
6	F84999	1	CLAMP housing to cover
7	S113982	1	VALVE dust, rubber